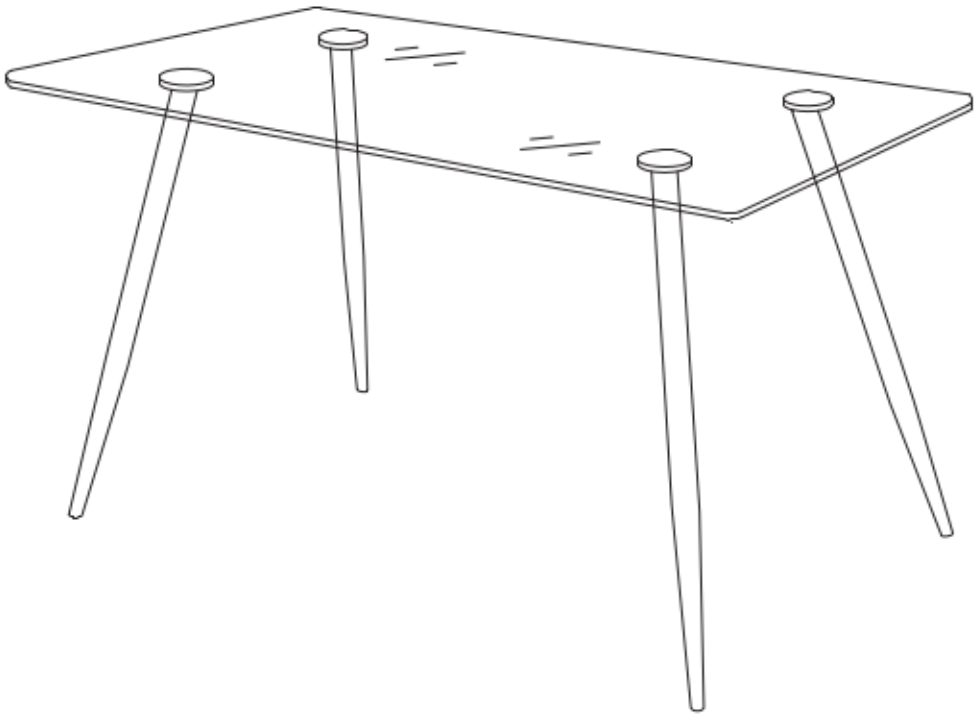
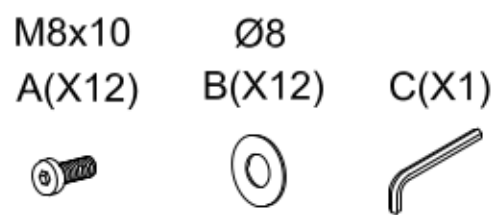
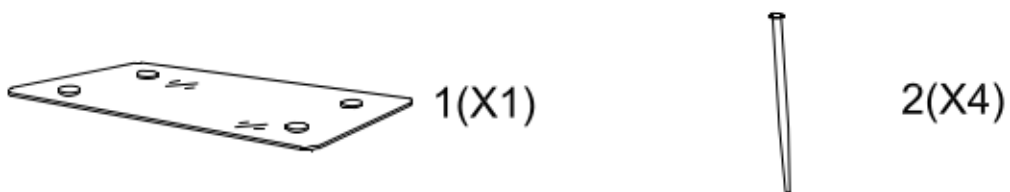
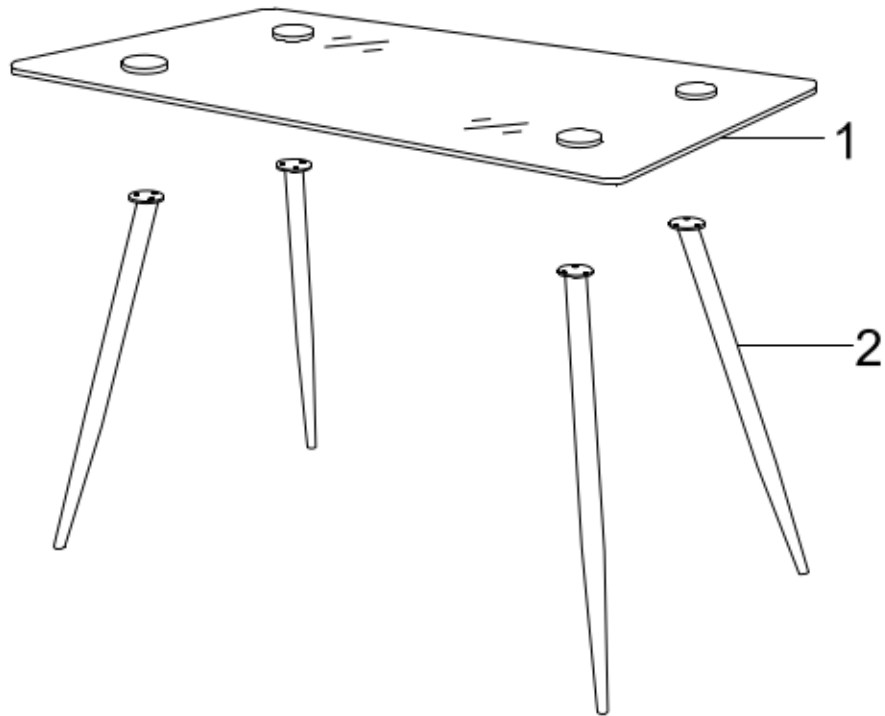
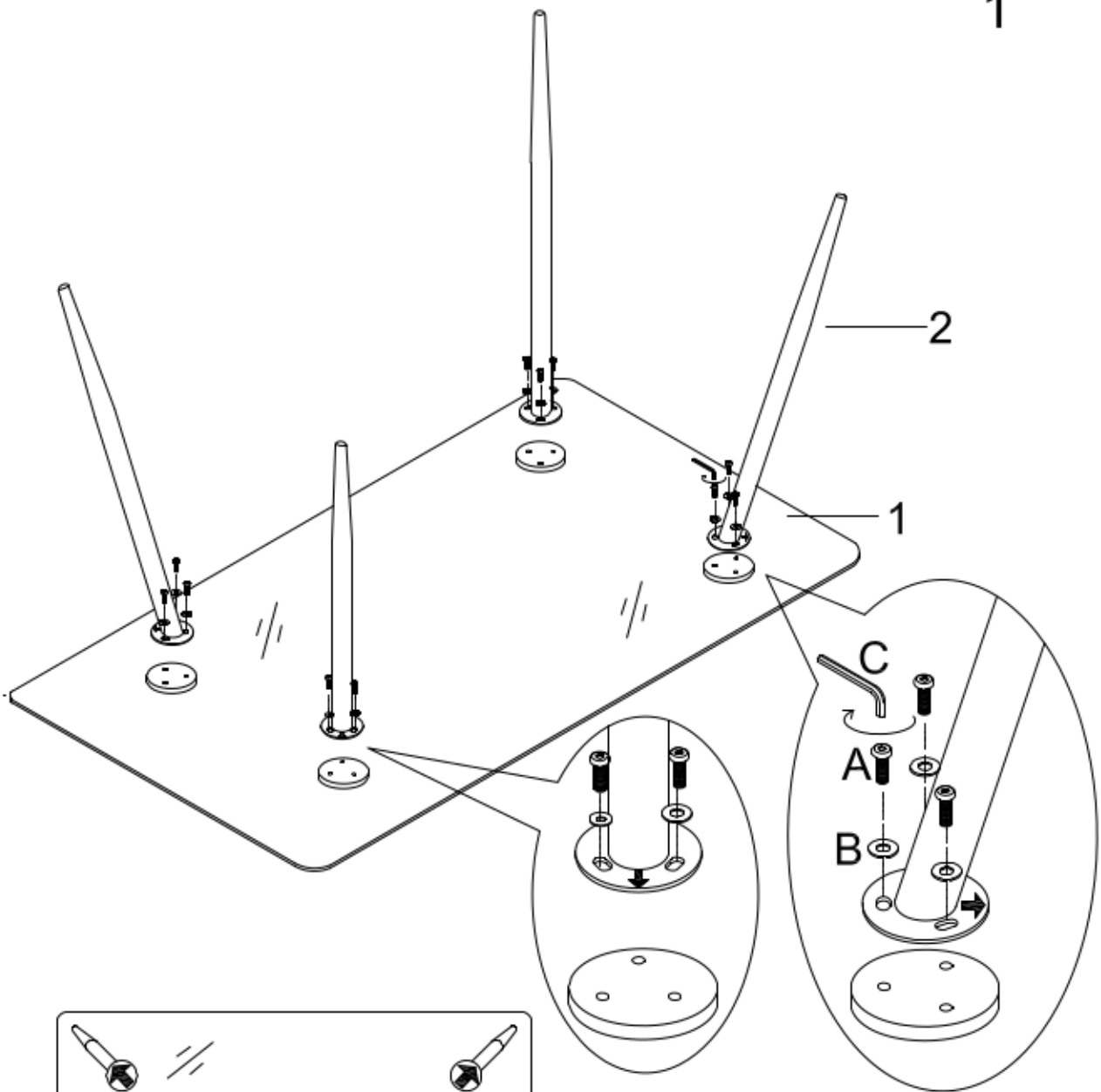


---





1



A(X12) B(X12) C(X1)

