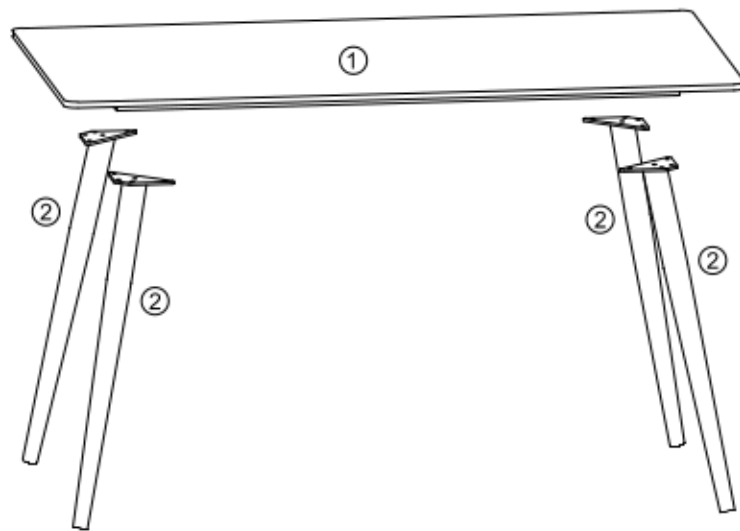








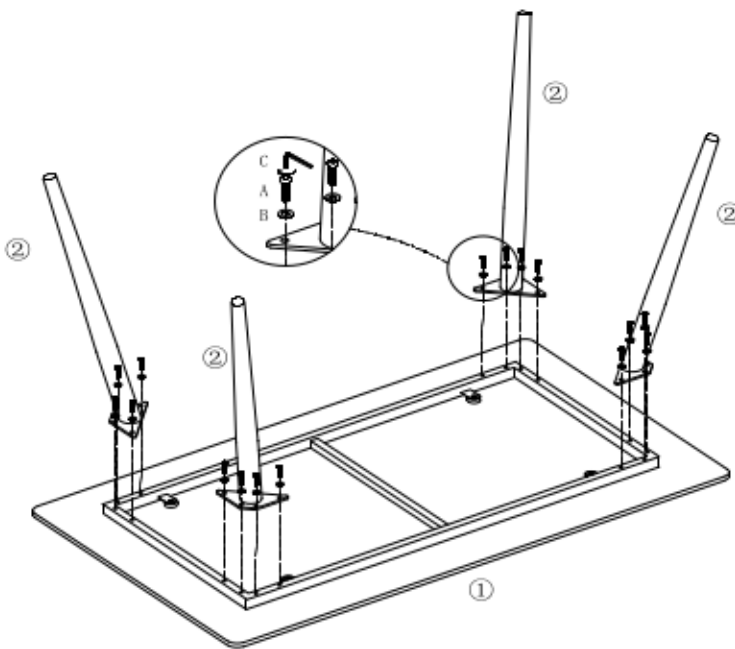
			✓
①	1	1400*800*11mm	
②	4	705*50*70mm	



Ax16	Bx16	Cx1
		
M6x16mm	$\Phi 6 \times \Phi 16$	5mm

1

Ax16	Bx16	Cx1
		
M6x16mm	Φ 6xΦ 16	5mm



2

