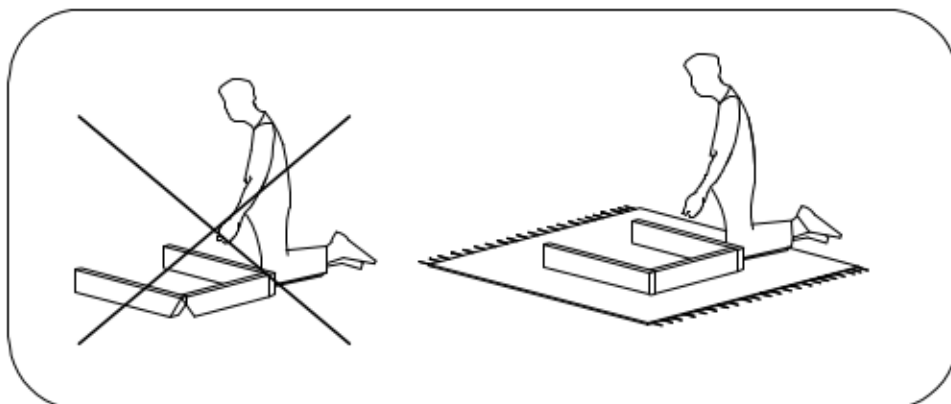
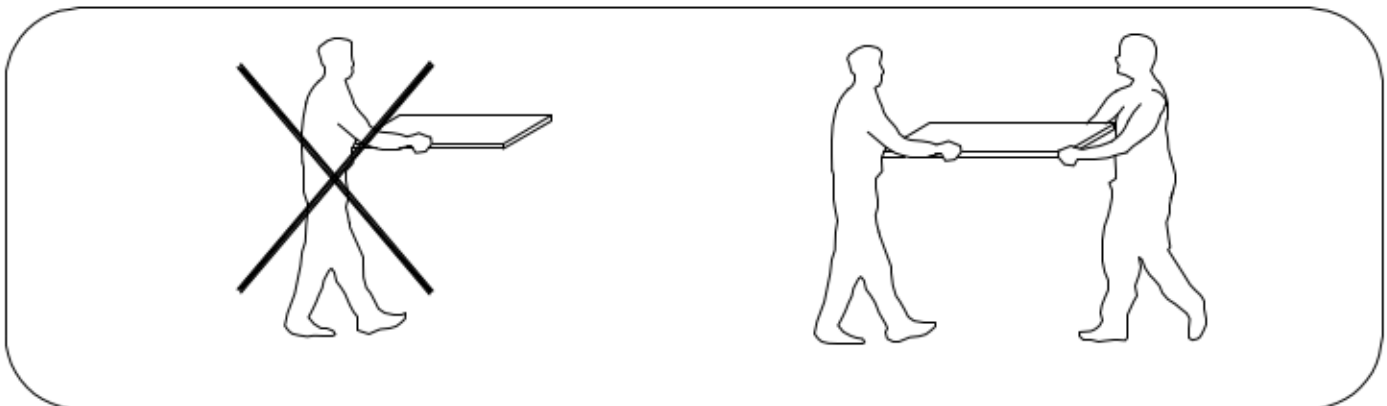
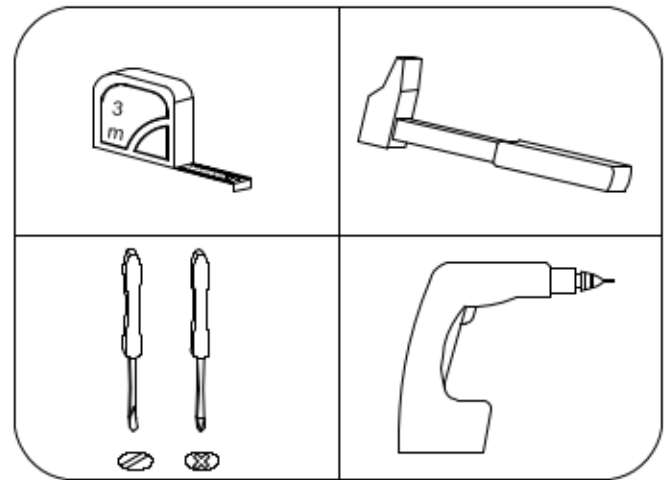
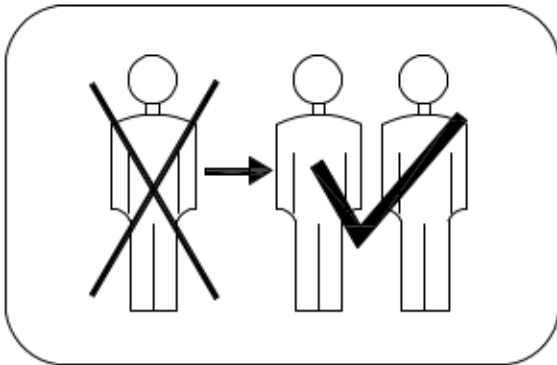
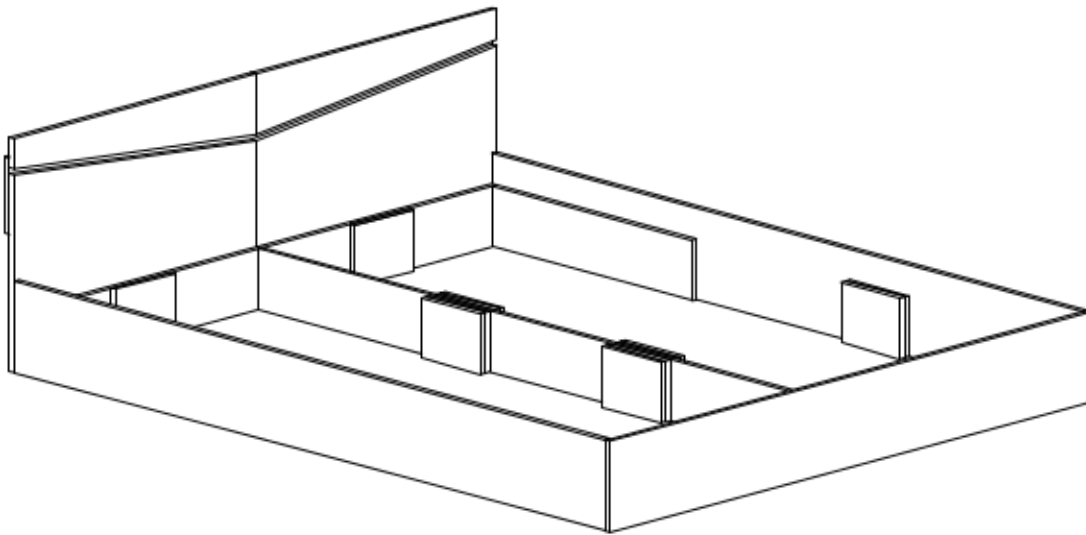
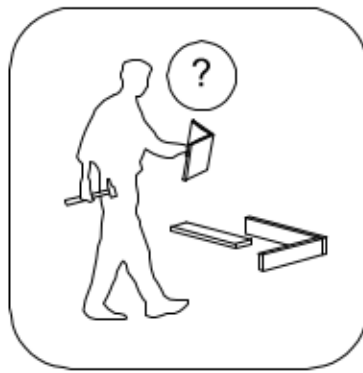




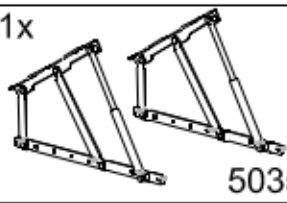

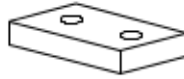
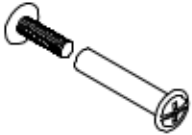




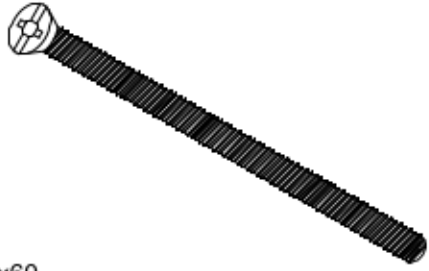





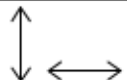


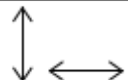
3 h.

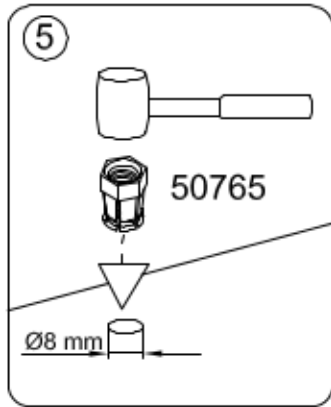
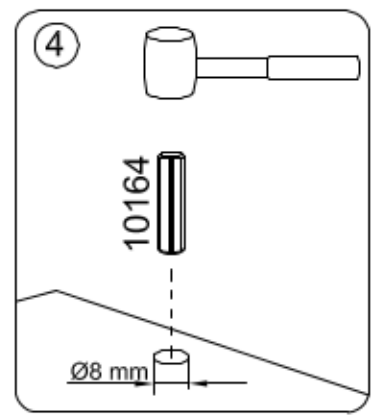
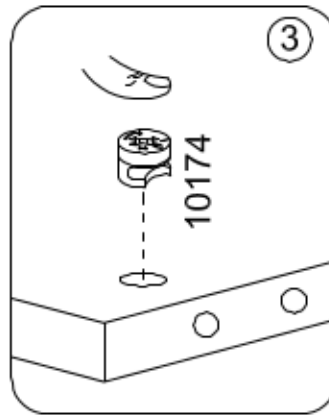
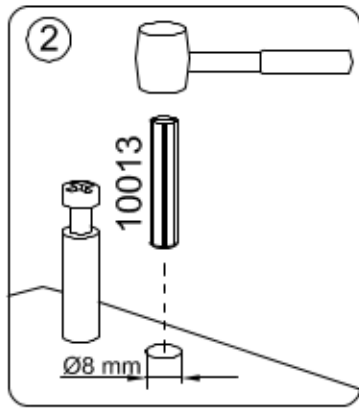
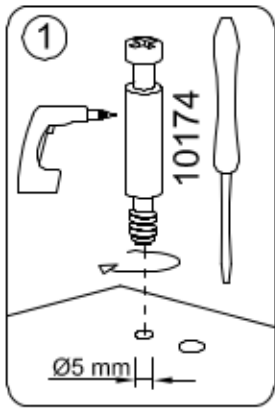




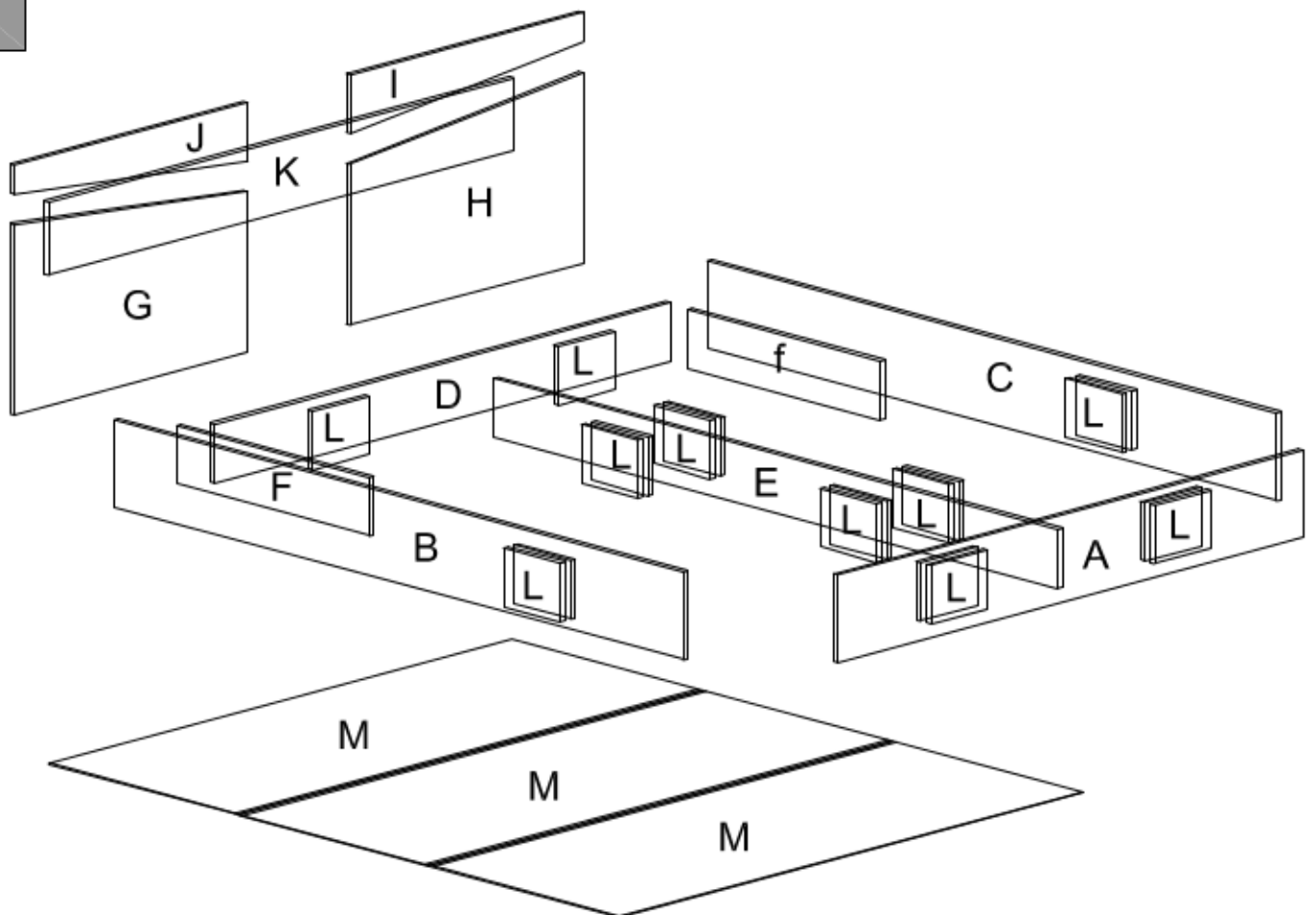
12x  10174	12x  Φ 8/30 10013	8x  Φ 8/20 10164	12x  50317
1x  50350	8x  50765	9x  50246	4x  M 4/14 10037
8x  M 8 10092	4x  M 6 10030	8x  M 6,5 10032	8x  M 6x12 10132
4x  M 6x60 10051	4x  M 6x50 10065	8x  M 8x30 10212	
66x  Φ 3,5/30 10004	18x  Φ 3,5/20 10002	 10033	

		Box number
A	1442x300	3/4
B	2010x300	2/4
C	2010x300	2/4
D	1410x200	3/4
E	1994x200	2/4
F/f	2x 680x200	4/4

		Box number
G	721x650	1/4
H	721x650	1/4
I	721x200	1/4
J	721x200	1/4
K	1442x250	4/4
L	18x 200x200	3,4/4
M	3x 1437x672	4/4

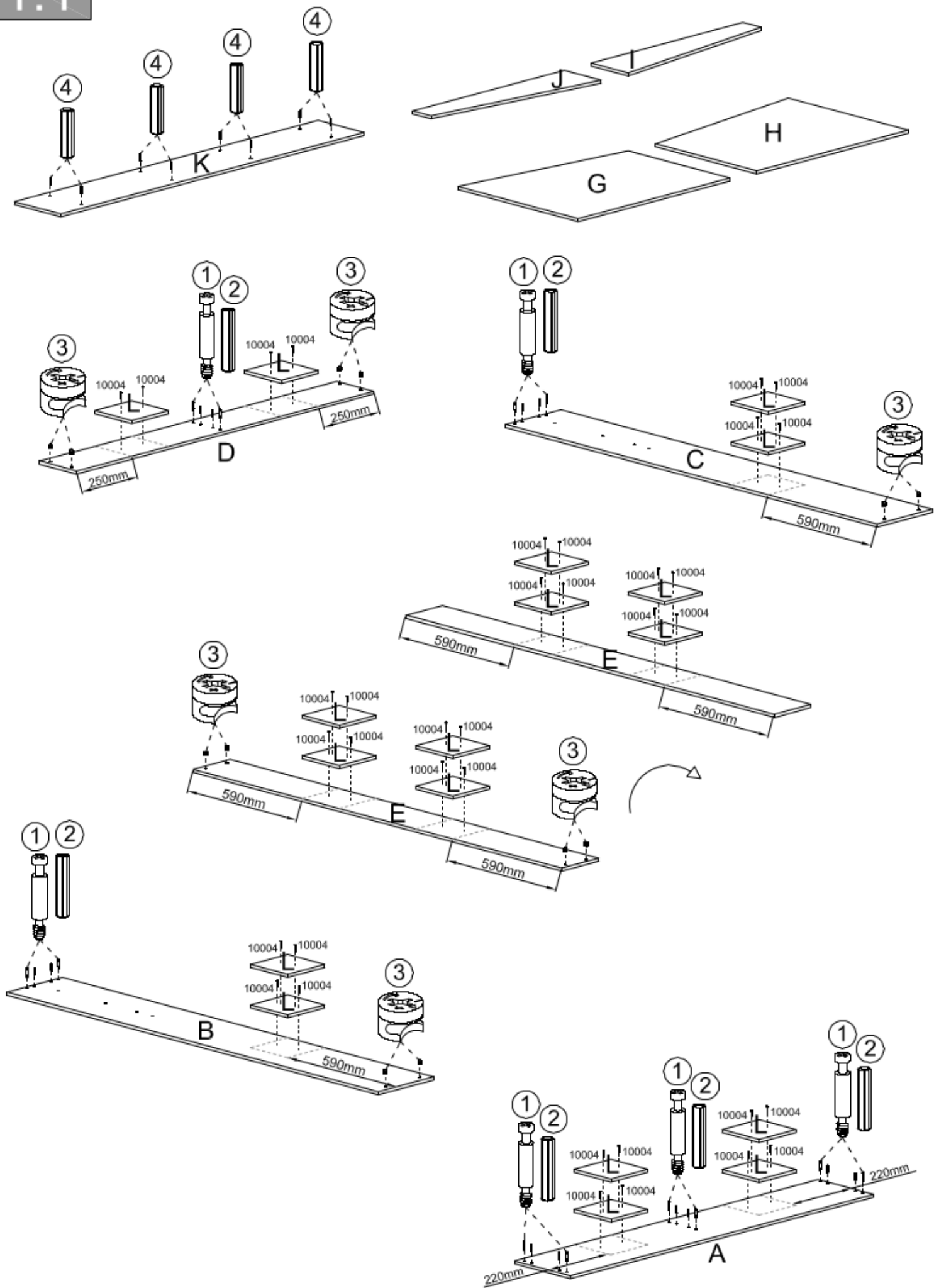


1

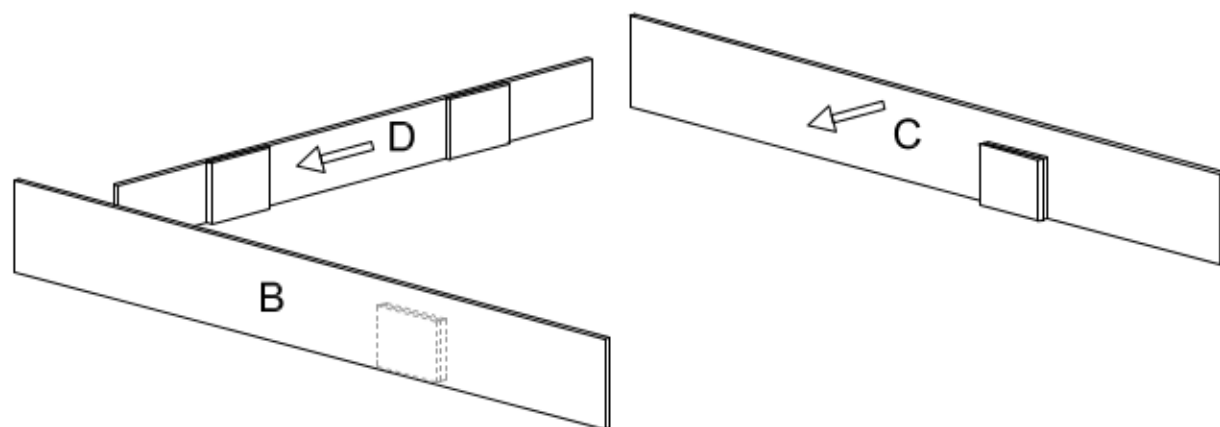
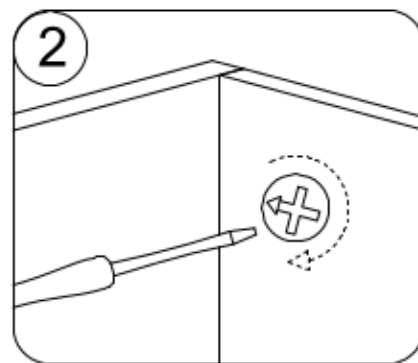
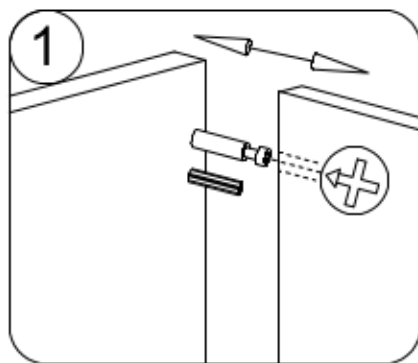


3

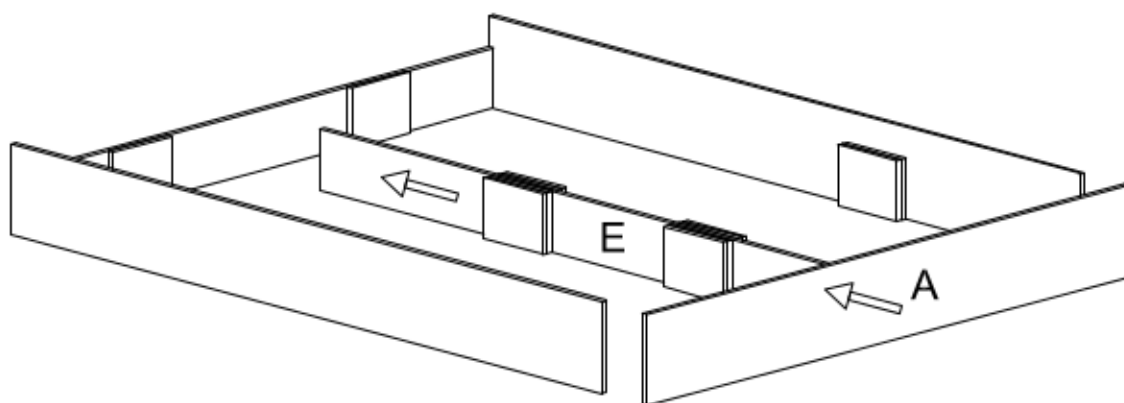
1.1



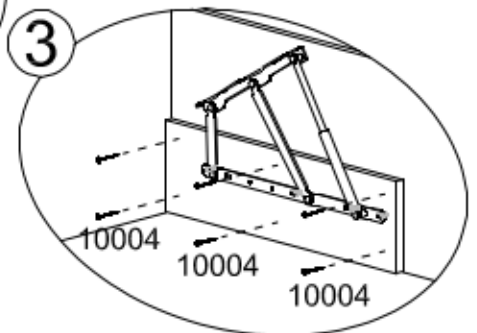
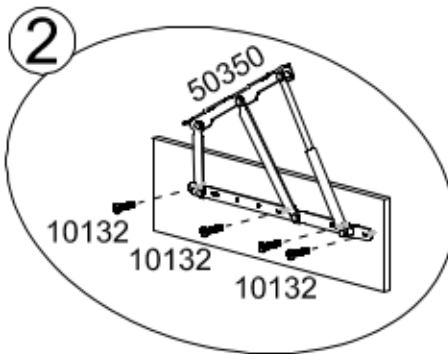
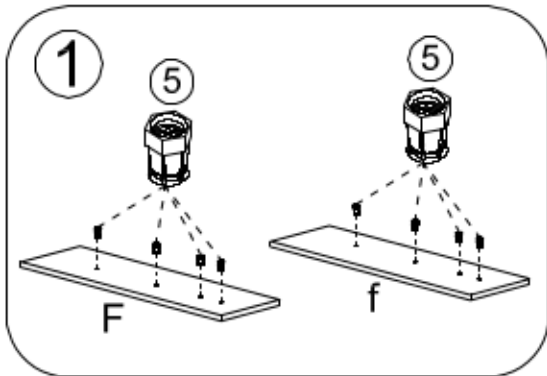
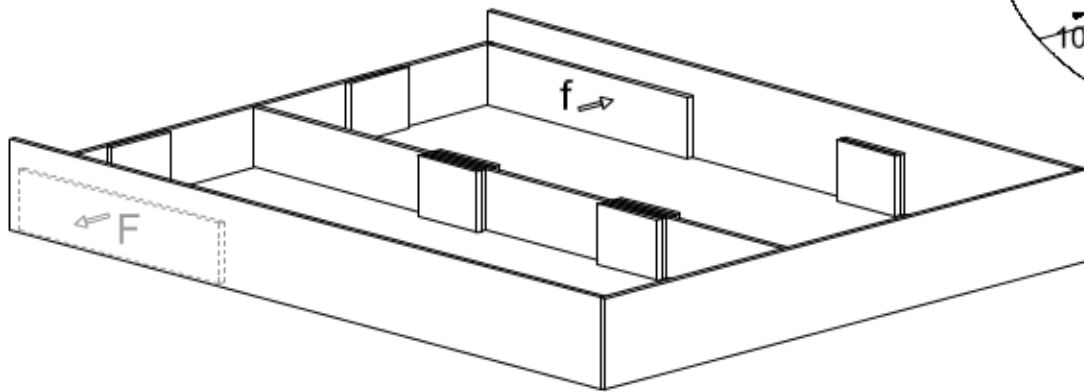
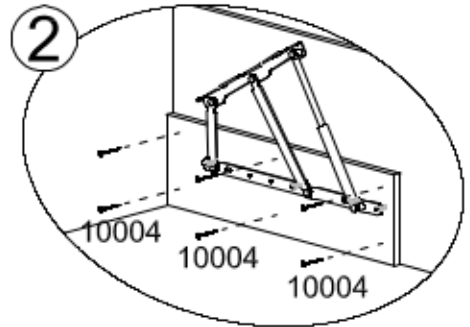
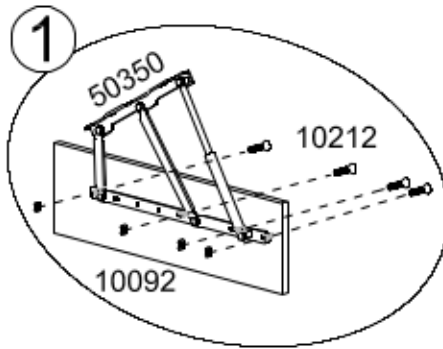
1.2



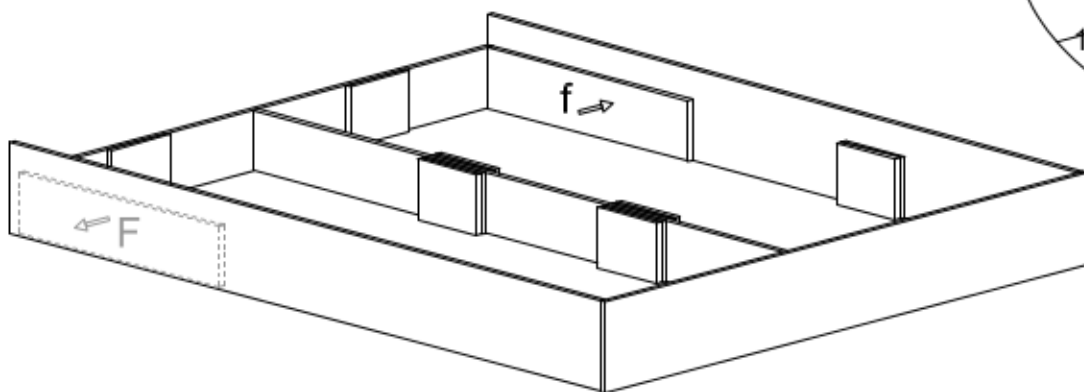
1.3



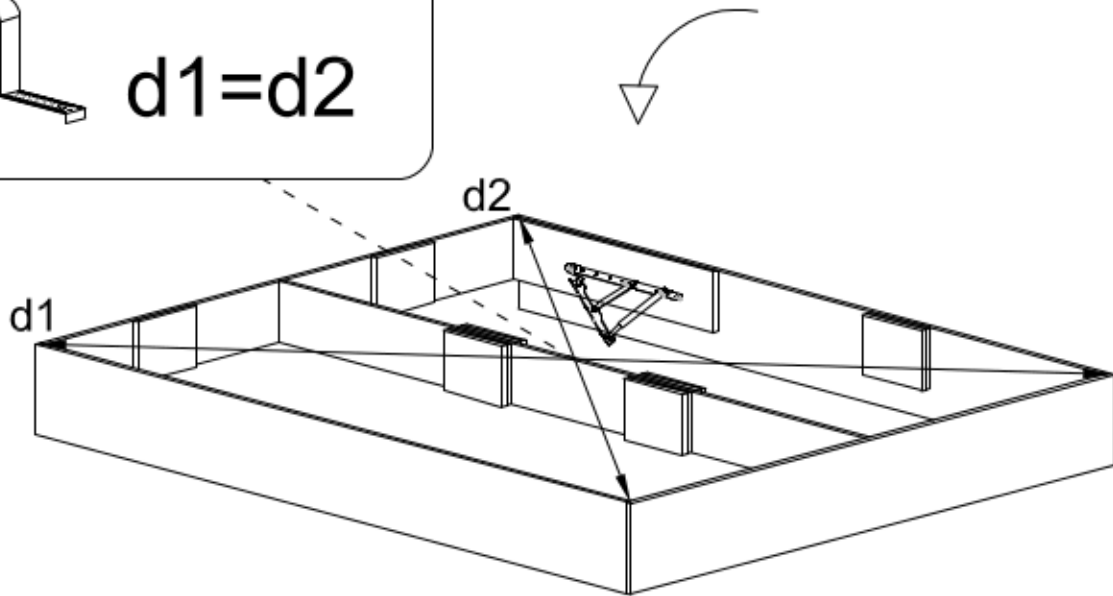
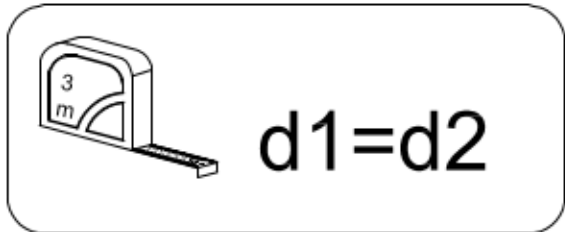
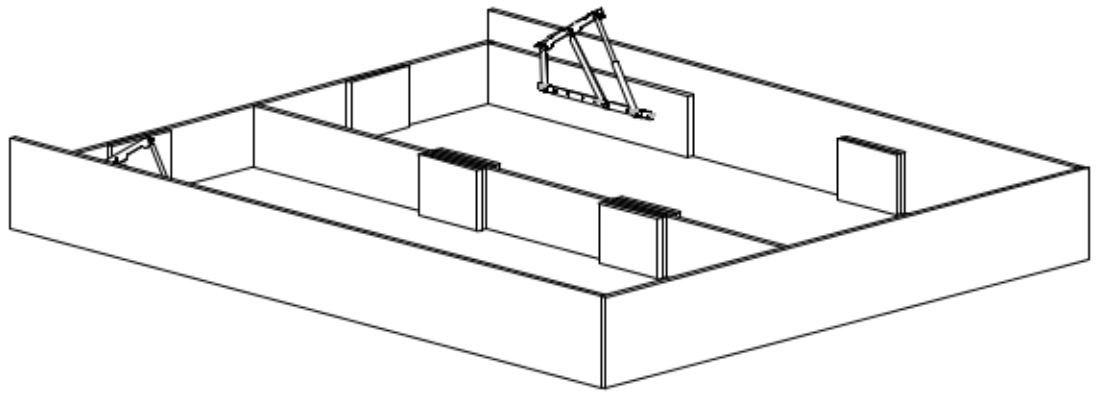
V1



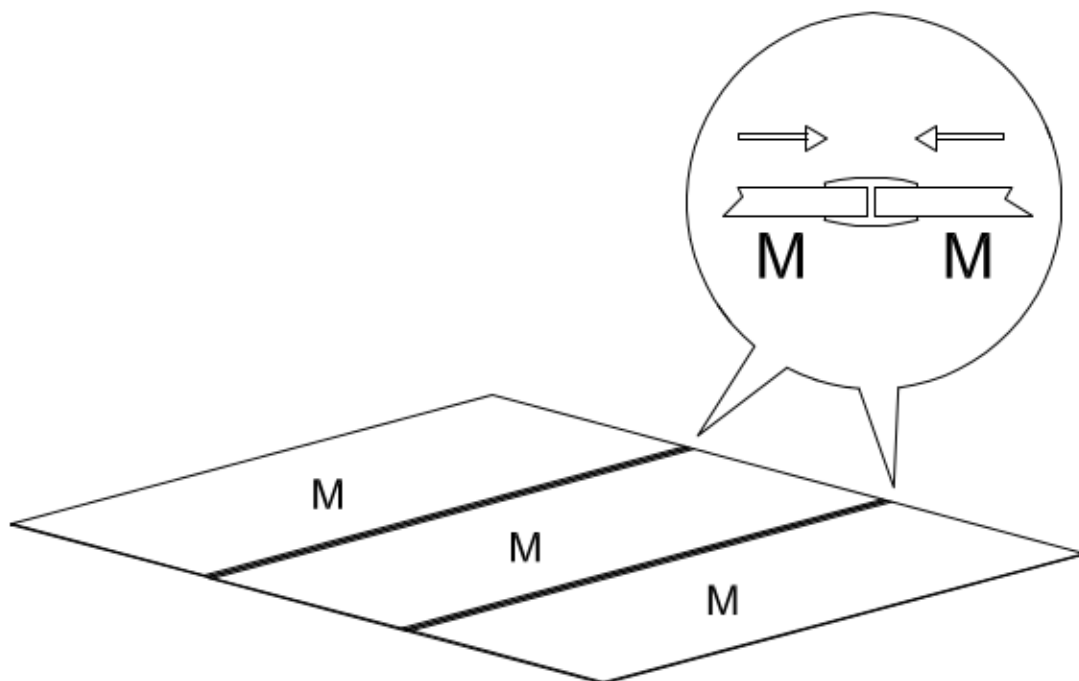
V2

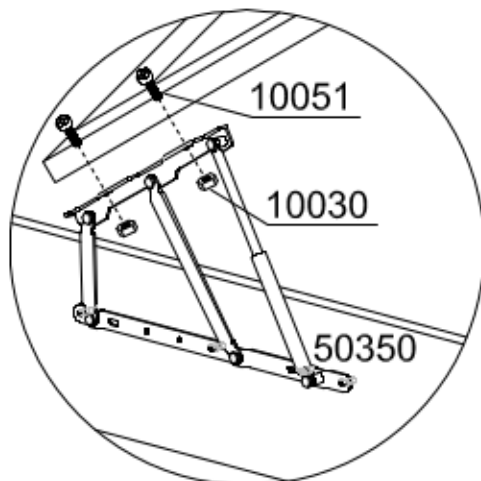
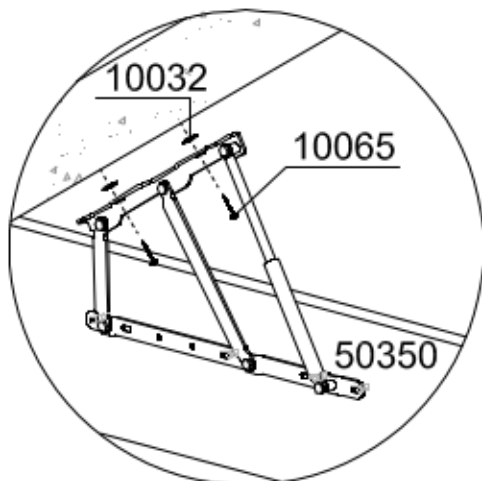
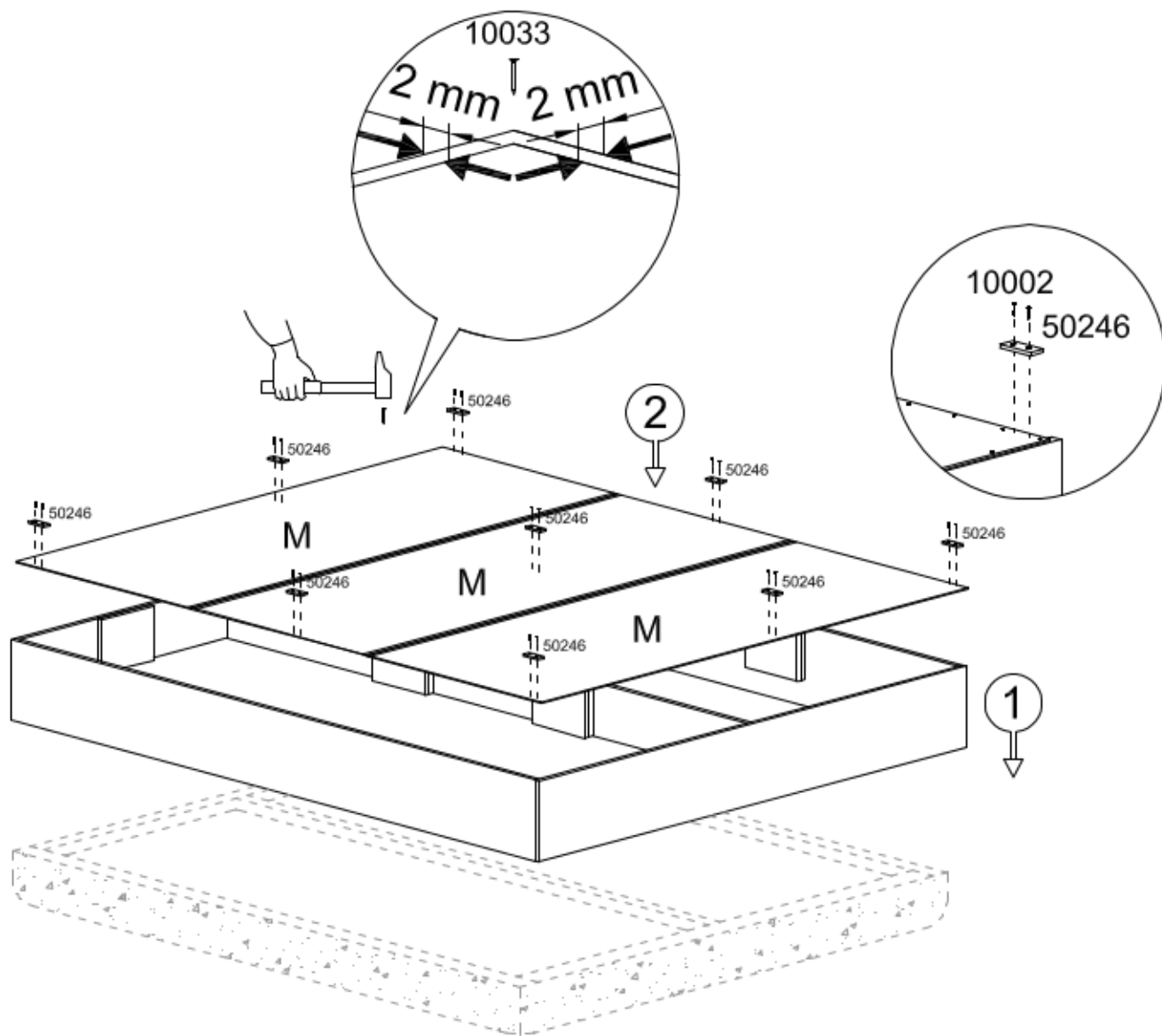


1.5

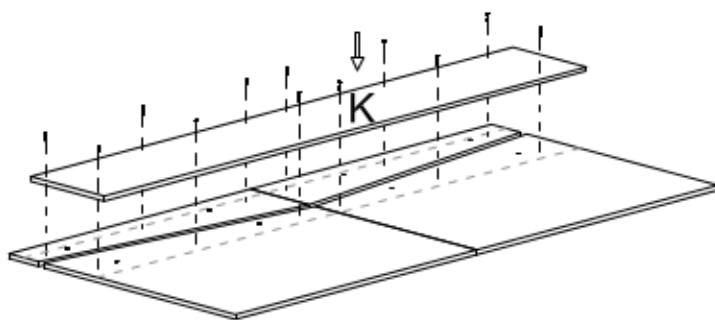
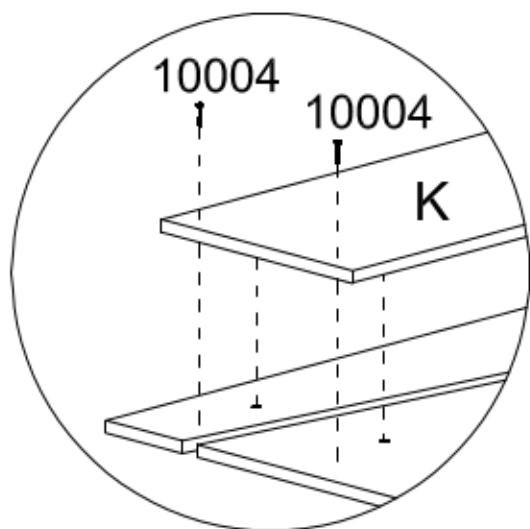
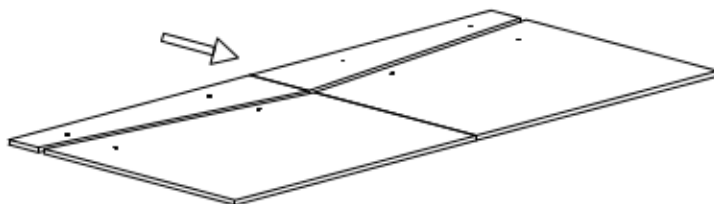
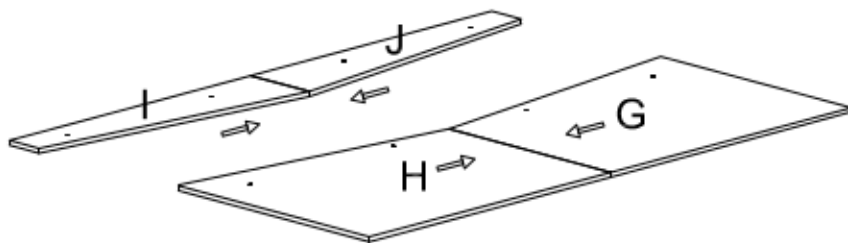


1.6





1.8



1.9

