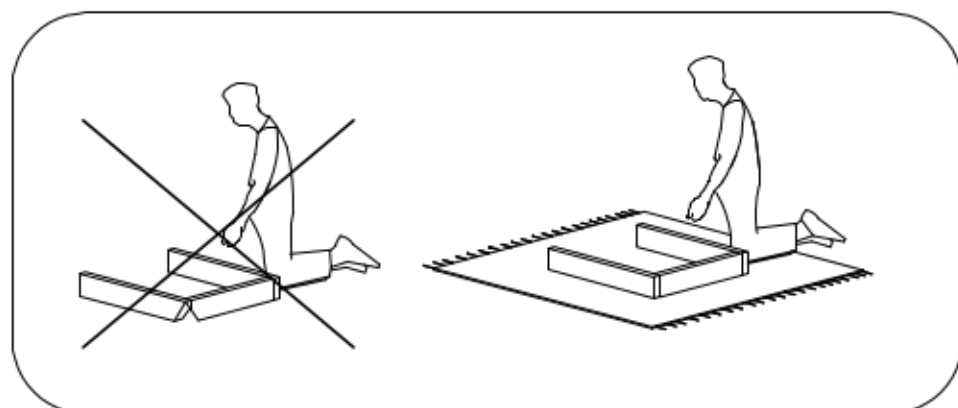
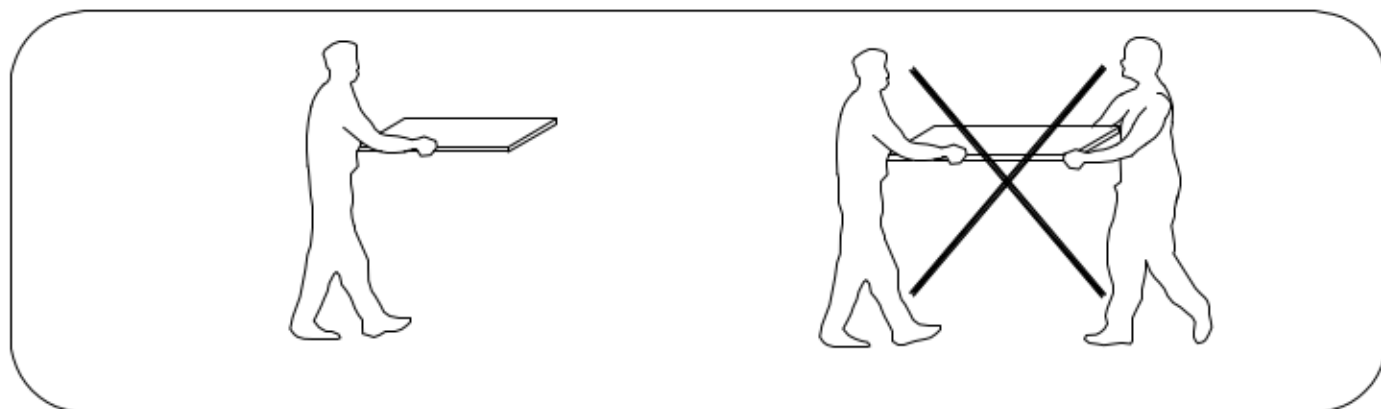
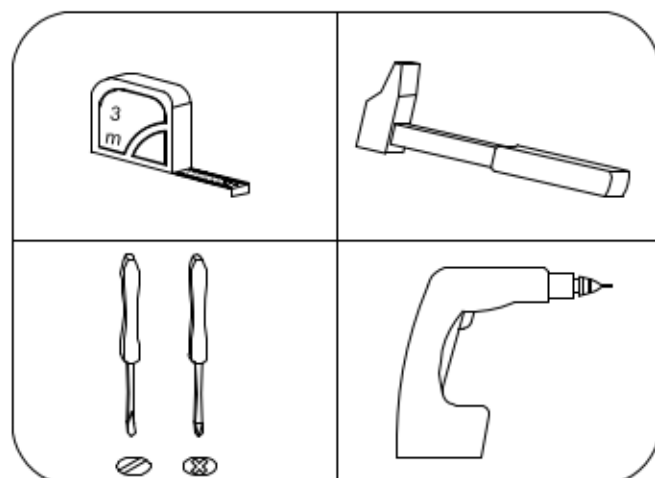
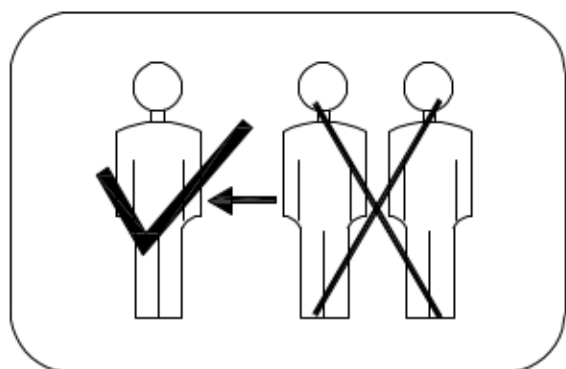



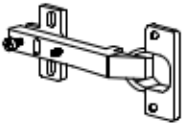
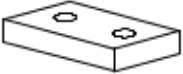






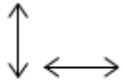


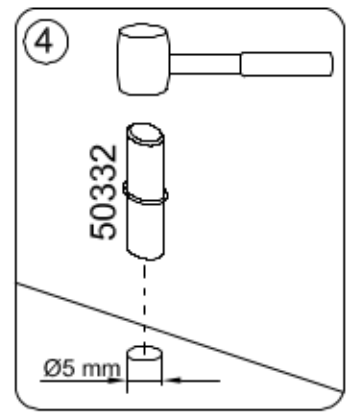
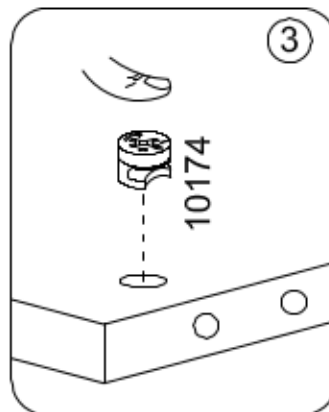
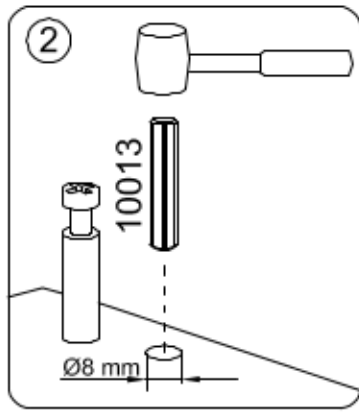
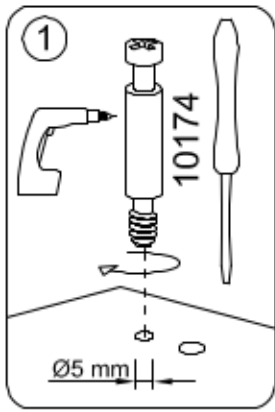
30 min.



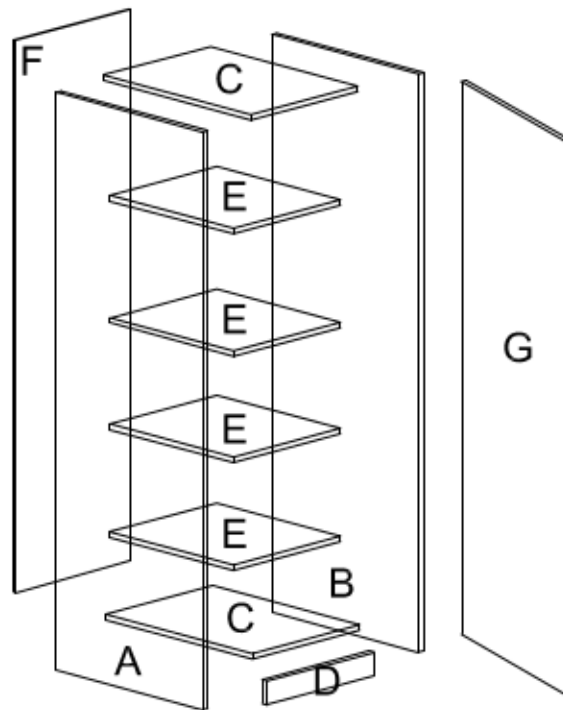


8x  10174	12x  Φ 8/30 10013	8x  50317	3x  40158
4x  50249	16x  50332	1x  20111	2x  M 4/18 10186
12x  Φ 3,5/16 10001	8x  Φ 3,5/20 10002	 10033	

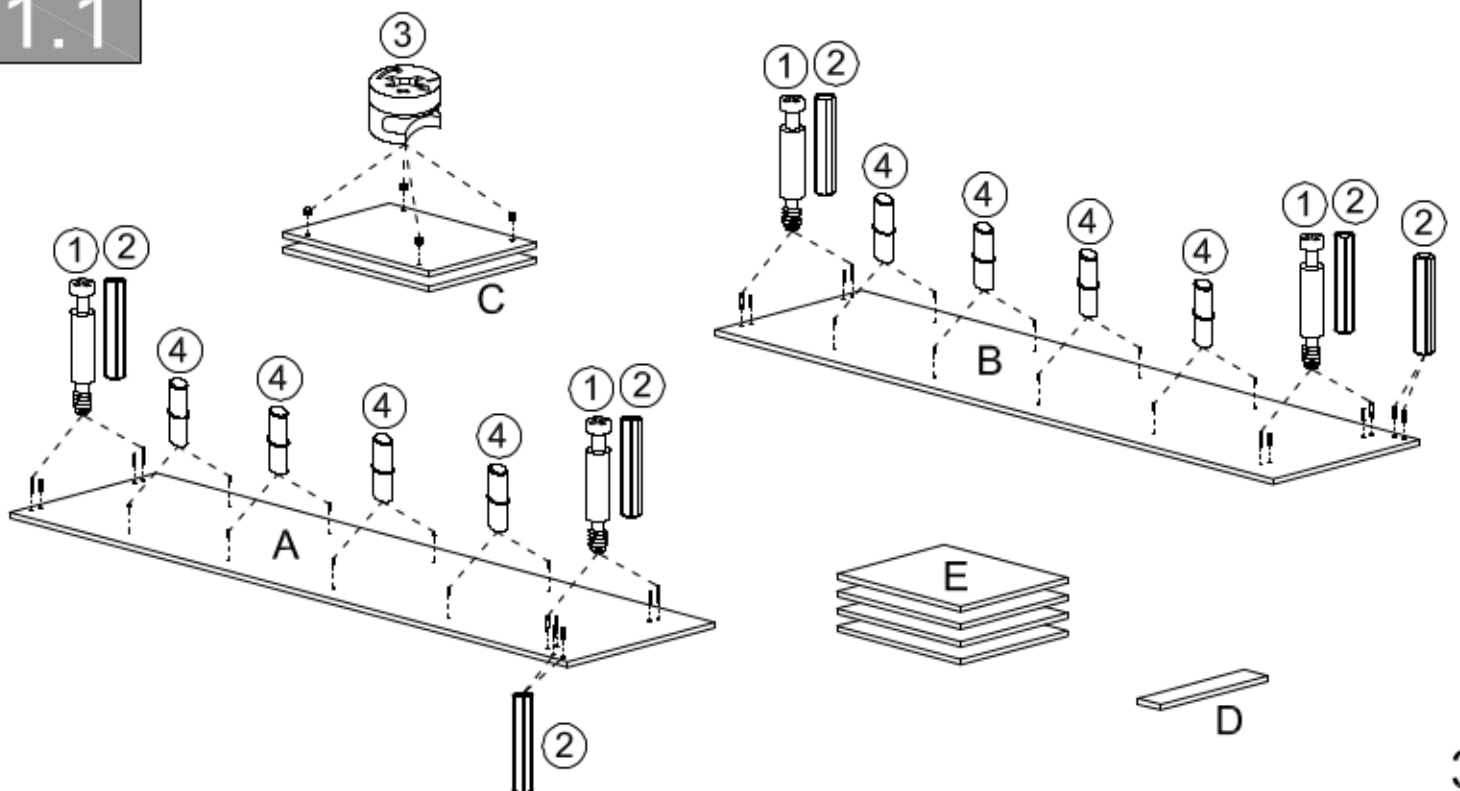
		Box number
A	1900x500	1/2
B	1900x500	1/2
C	2x 368x500	2/2
D	80 x368	1/2
E	4x 368x420	2/2
F	1815x395	1/2
G	1817x397	1/2



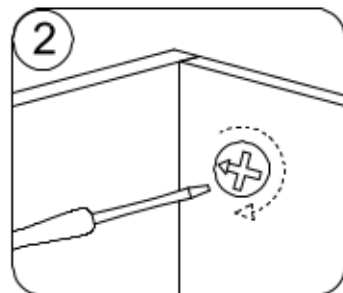
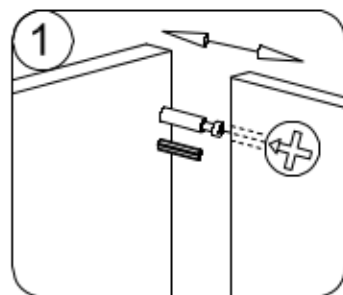
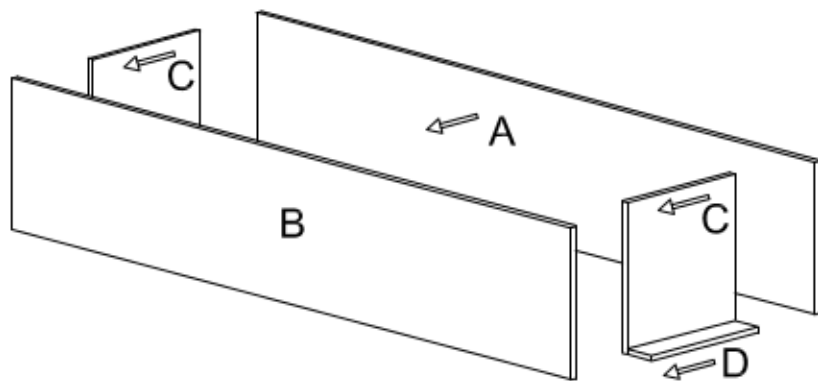
1



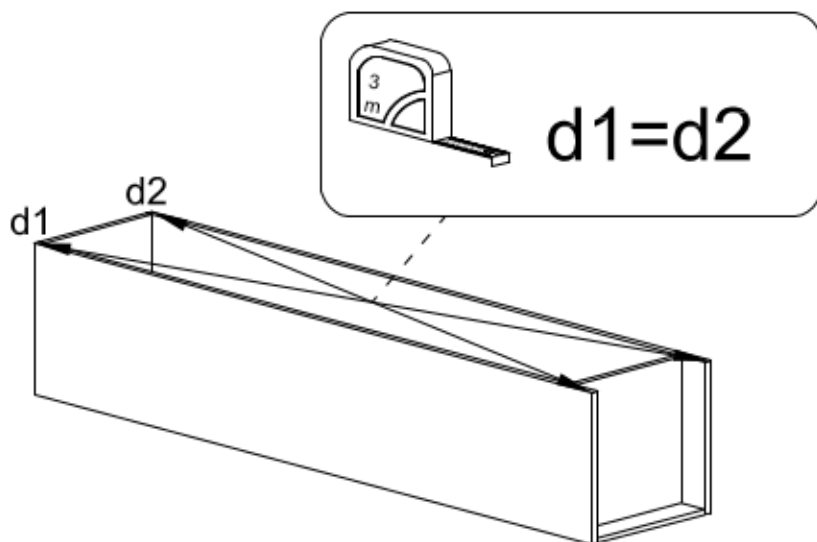
1.1



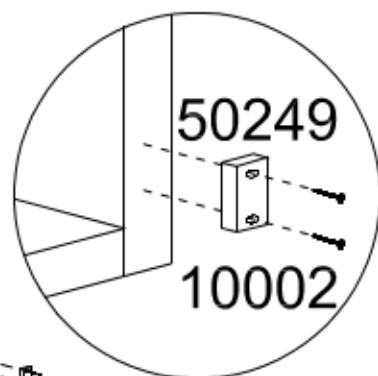
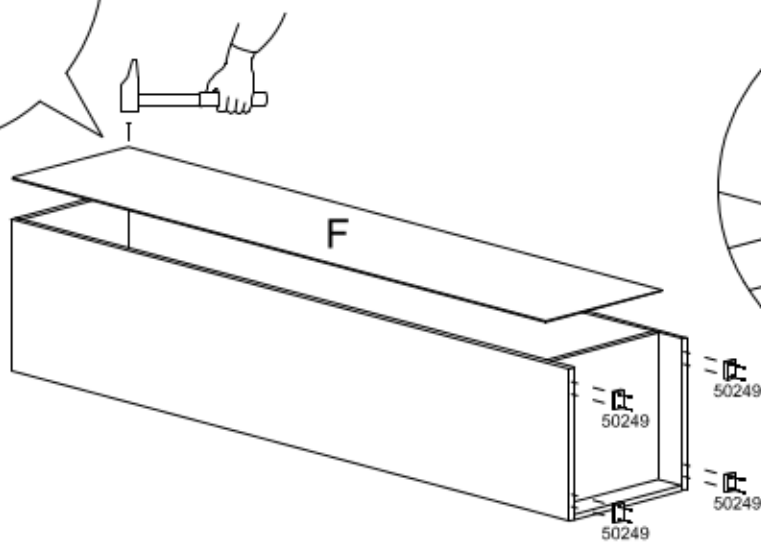
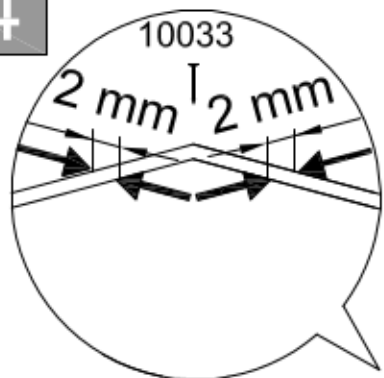
# 1.2



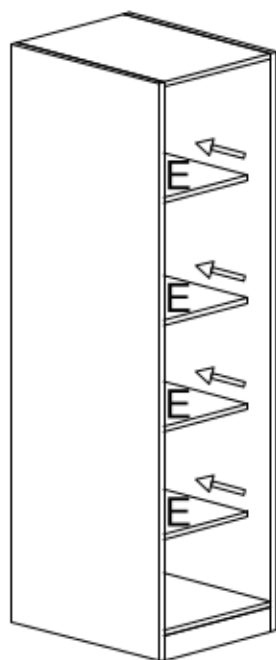
# 1.3



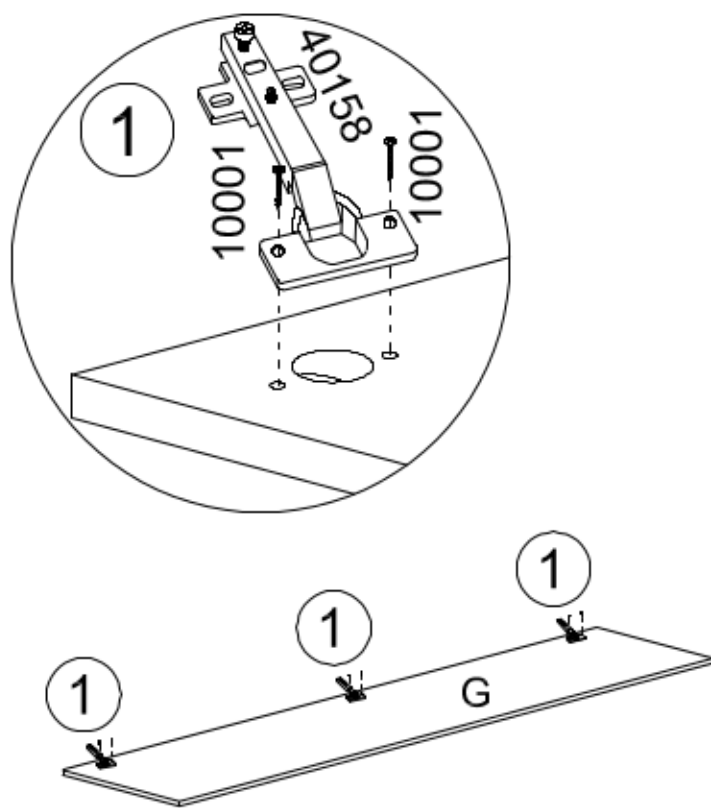
# 1.4



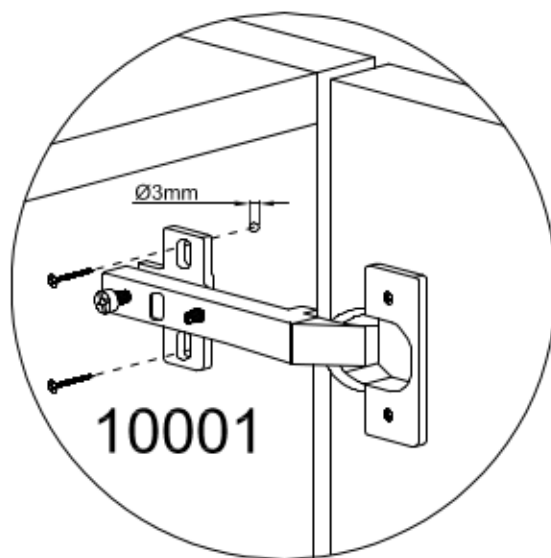
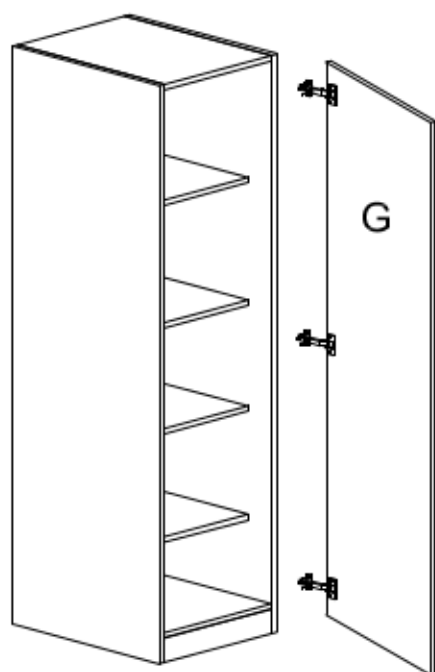
1.5



1.6



1.7



1.8

