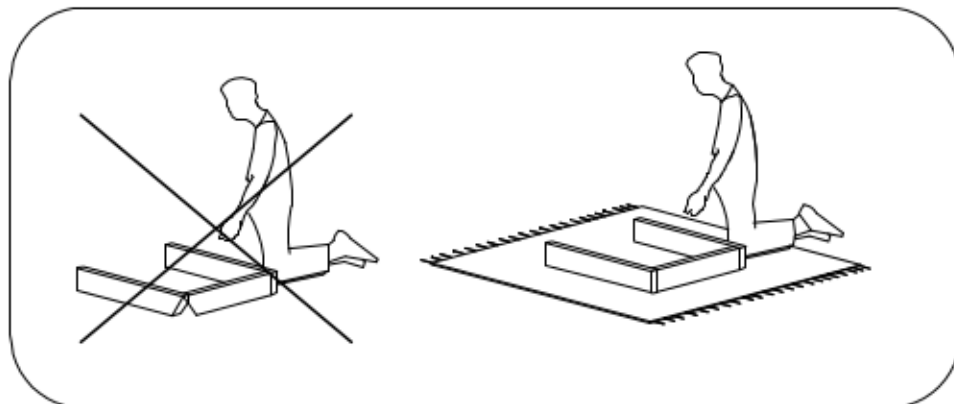
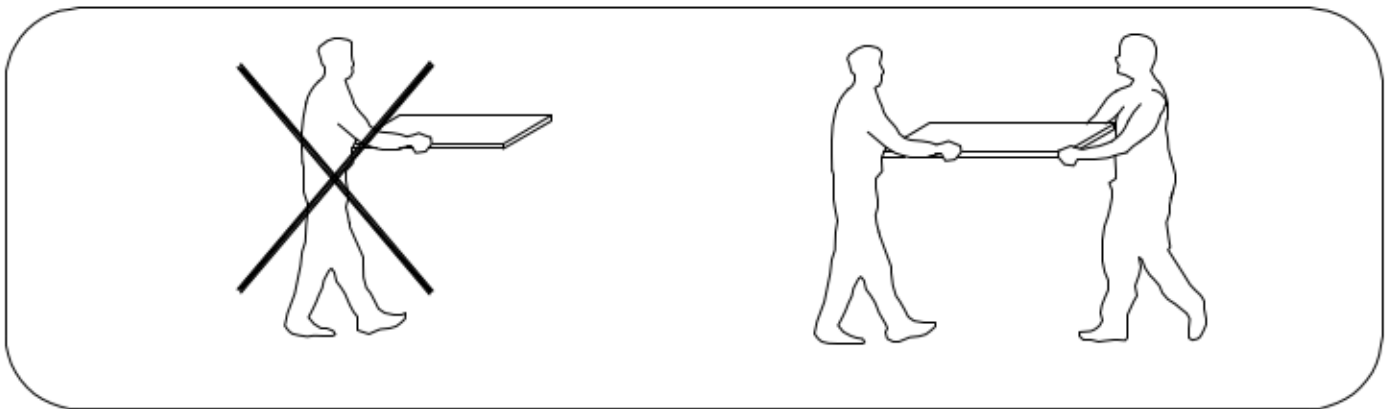
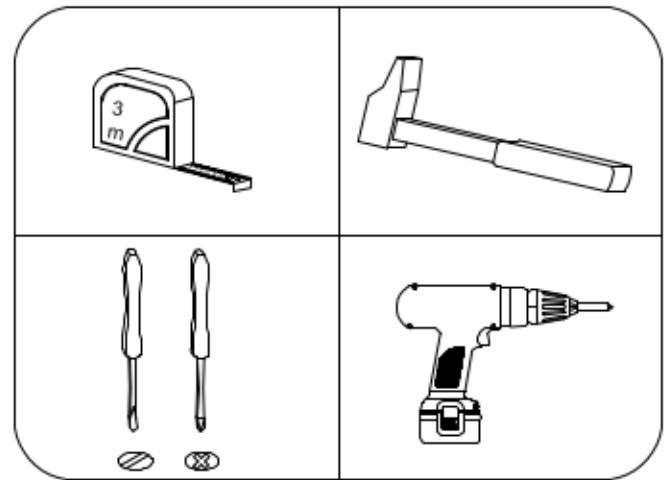
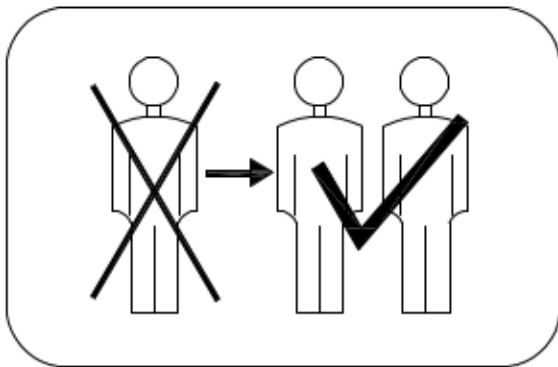
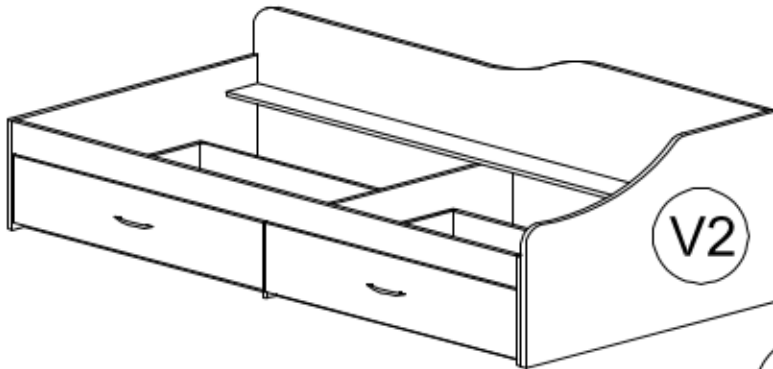








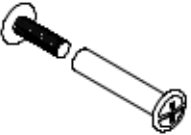




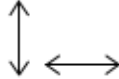


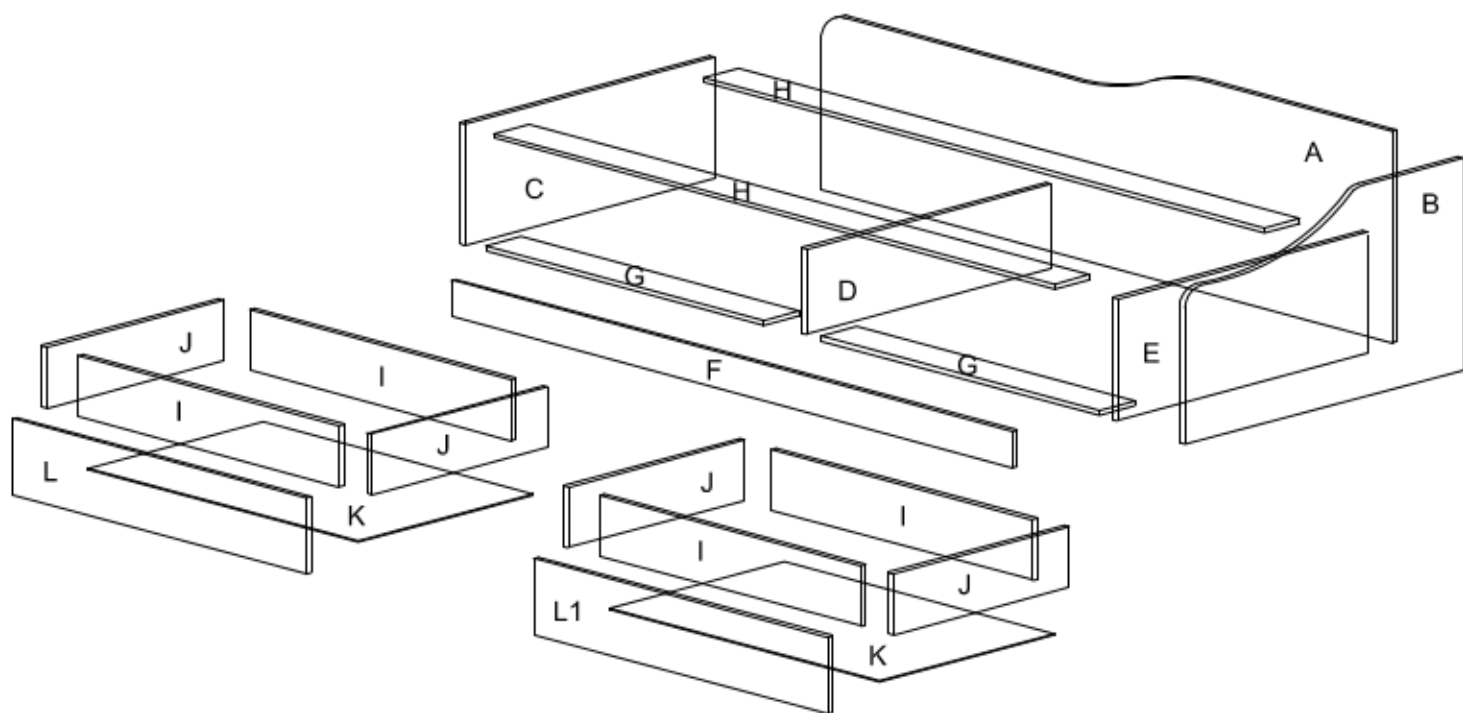
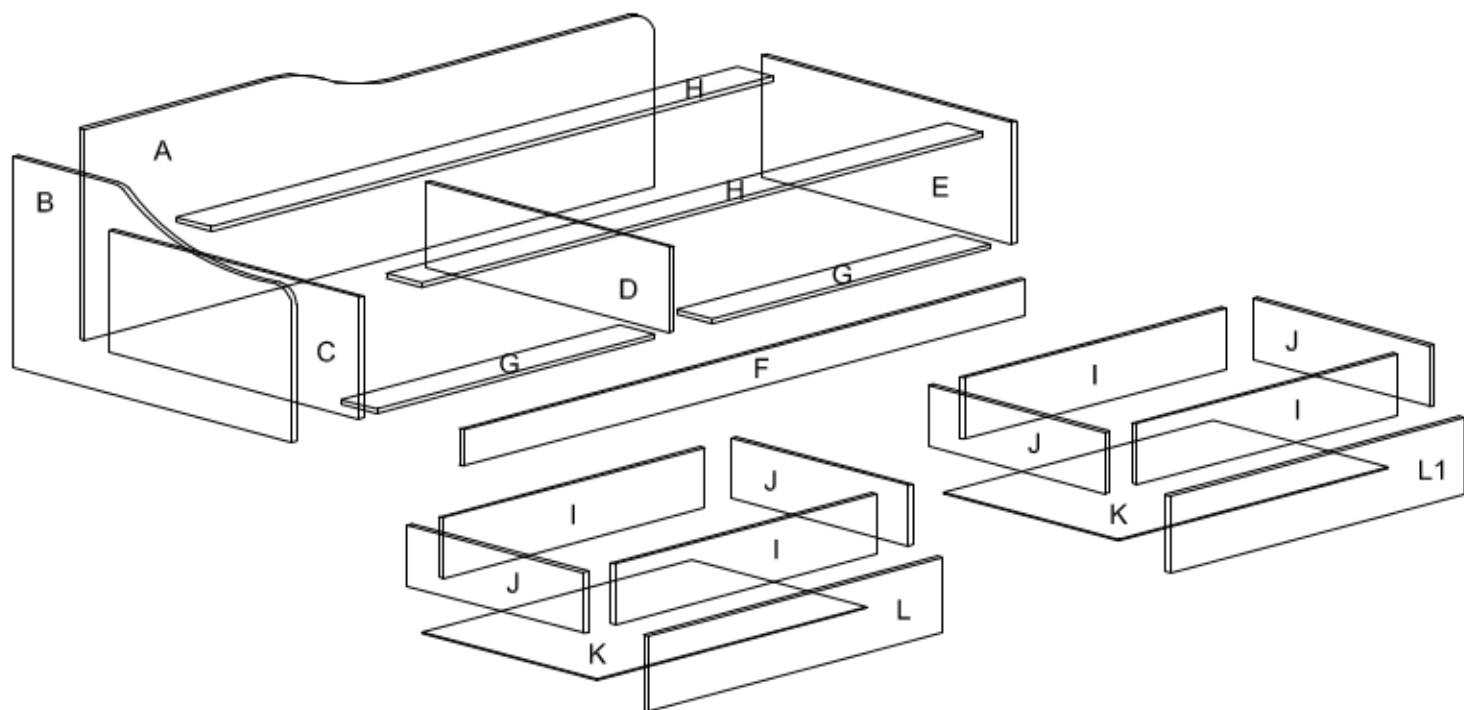
120 min.

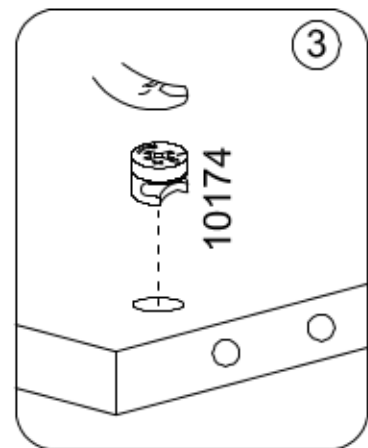
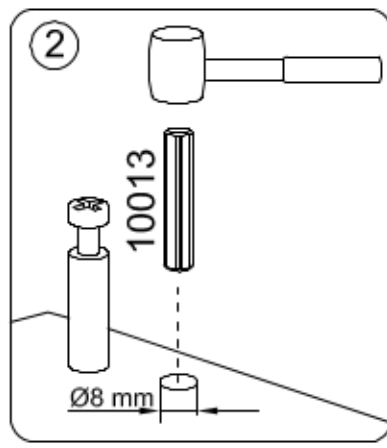
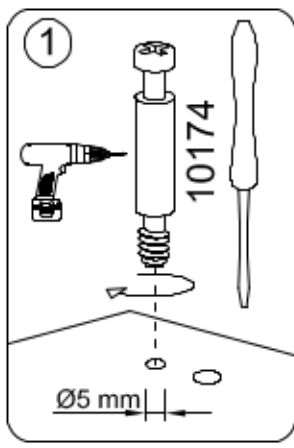




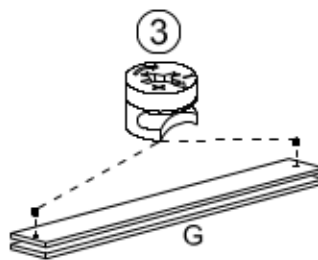
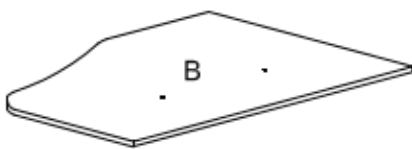
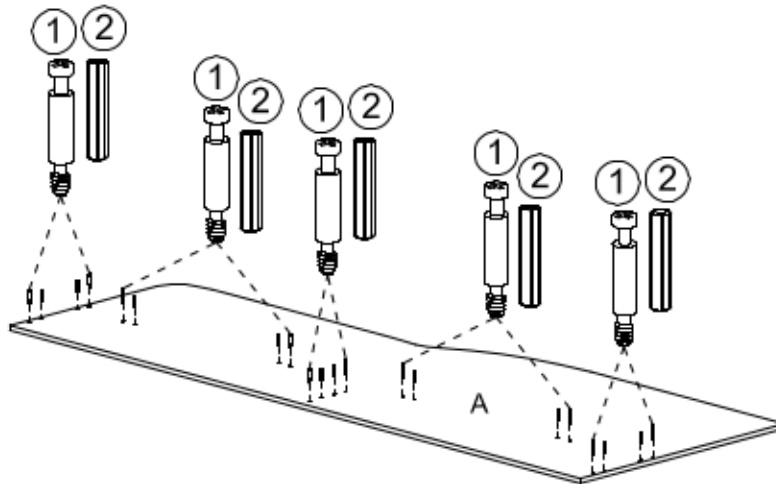
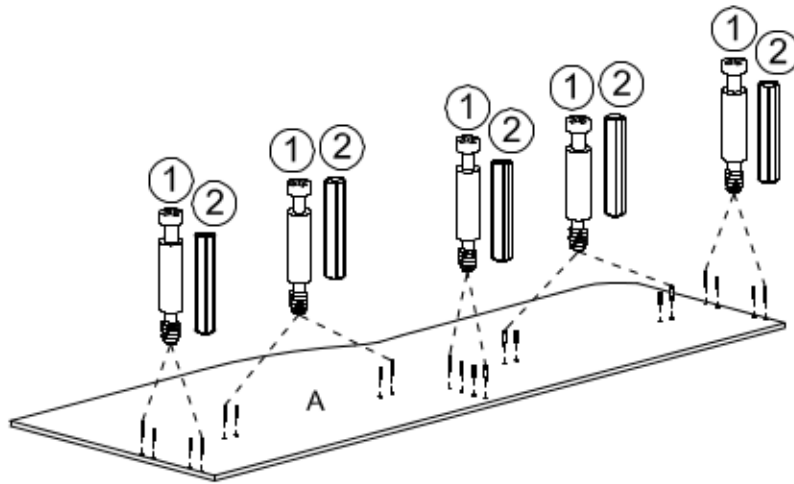
40x  10174	1x  10072	56x  $\Phi$ 8/30 10013	42x  50317
2x  L 600 mm 50977	2x  20111	6x  50246	4x  M 4/35 10053
2x  10037	6x  $\Phi$ 3,5/30 10004	24x  $\Phi$ 3,5/20 10002	12x  $\Phi$ 3,5/16 10001
			 10033

		Box number
A	2042x695	1/3
B	950x695	2/3
C	930x400	2/3
D	910x280	2/3
E	930x400	2/3
F	2010x120	1/3
G	2x 997x120	1/3
H	2x 2010x120	1/3
I	4x 940x200	3/3
J	4x 600x200	1,2/3
K	2x 968x595	1/3
L,L1	2x 1000x251	3/3

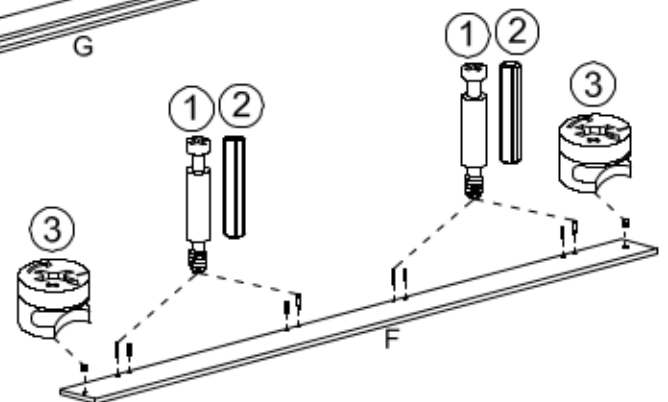
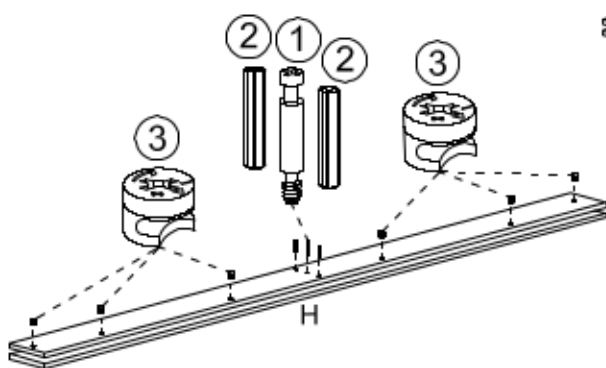


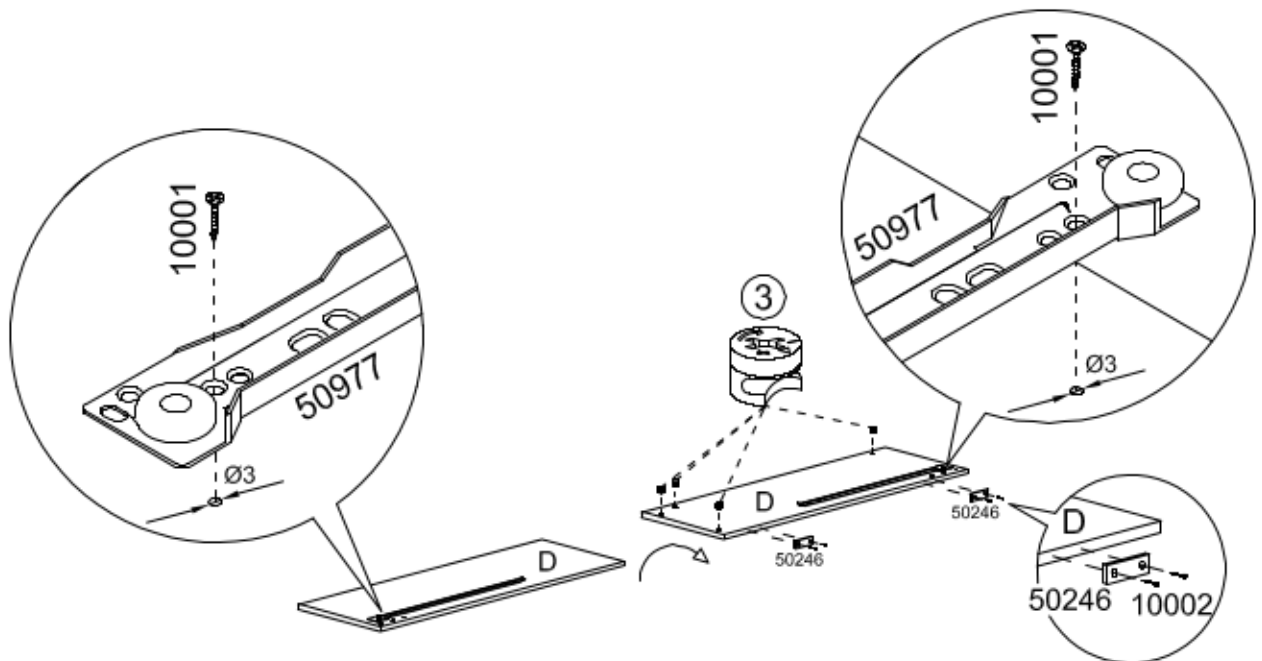
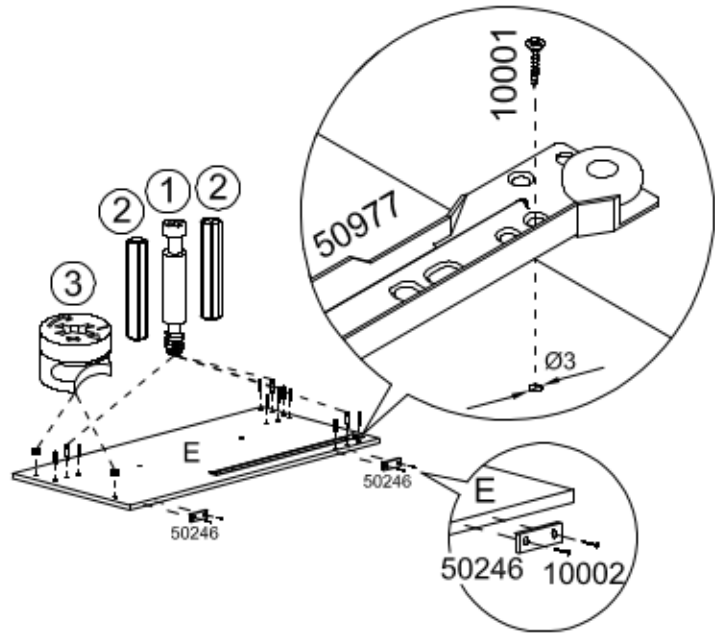
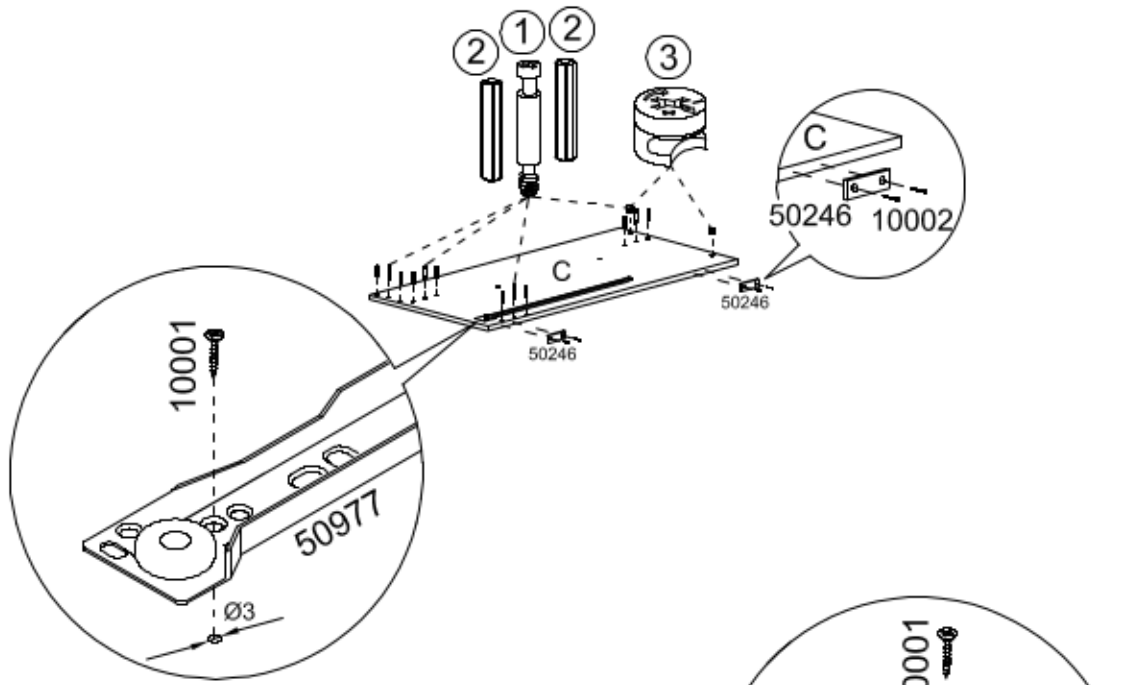


1.1



V1 V2

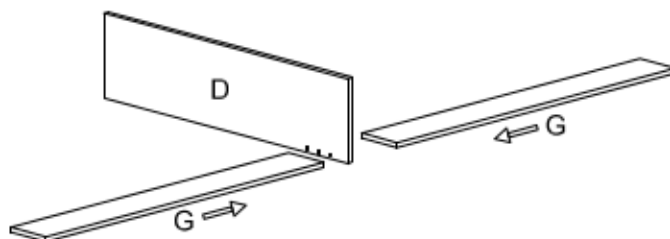
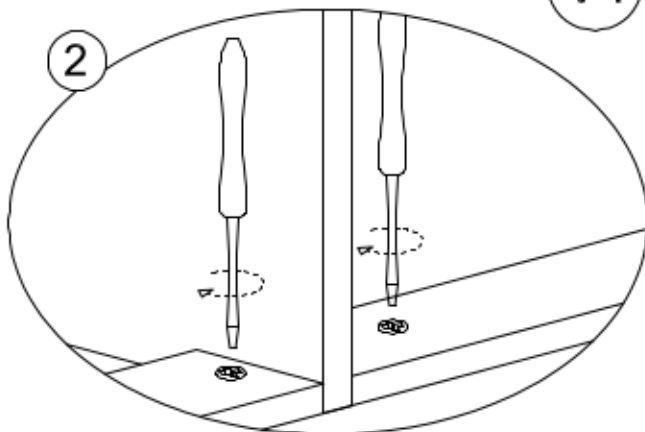
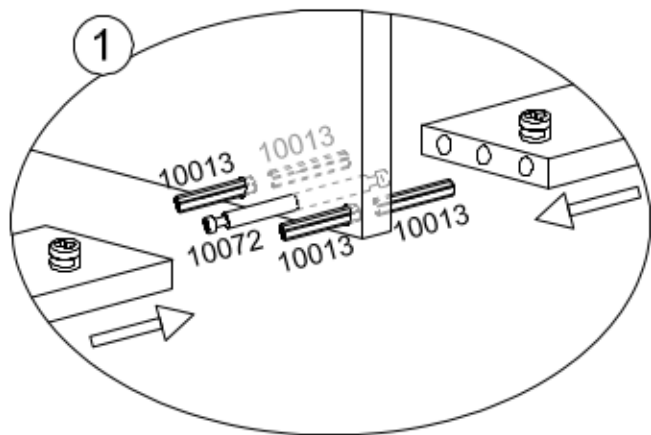




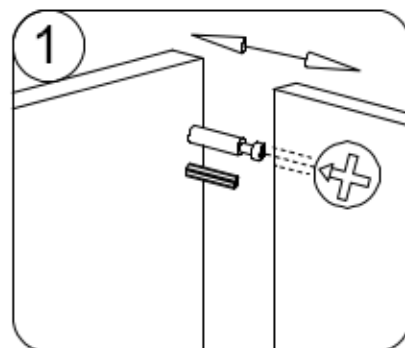
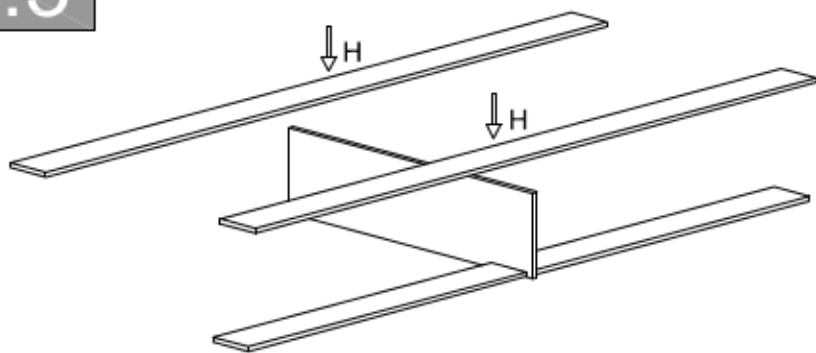
# 1.2

V1

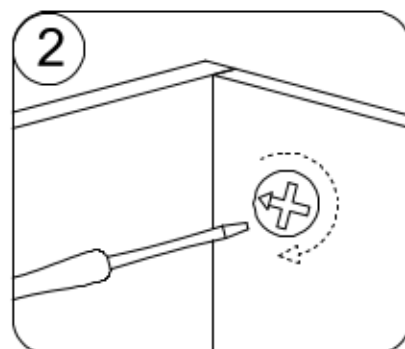
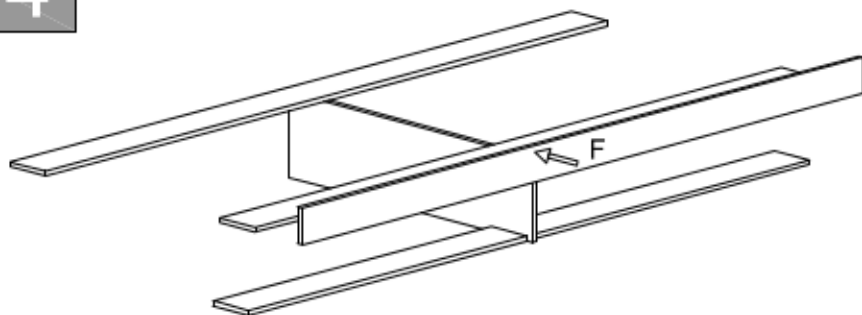
V2



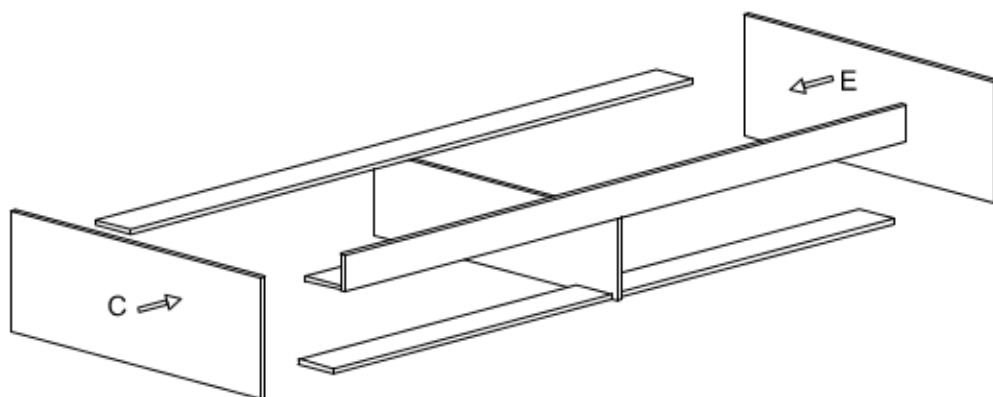
# 1.3



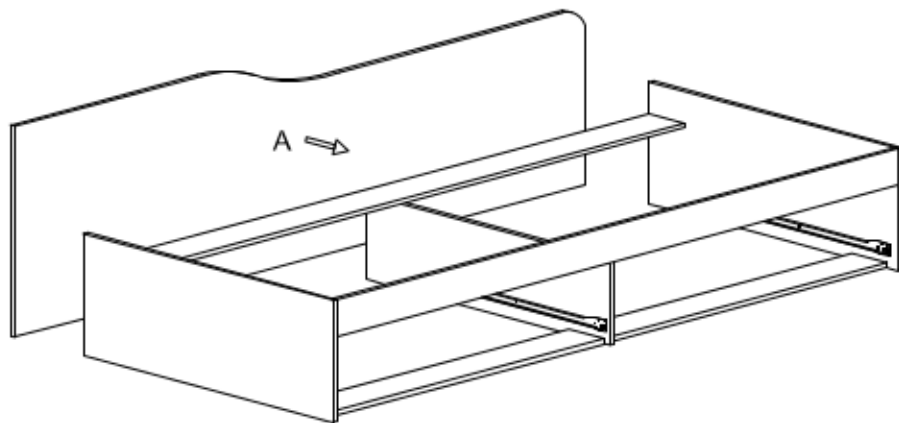
# 1.4



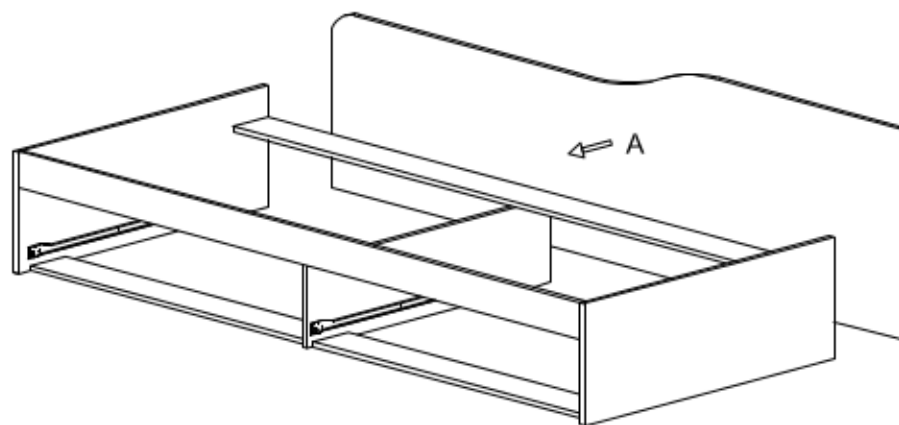
# 1.5



1.6

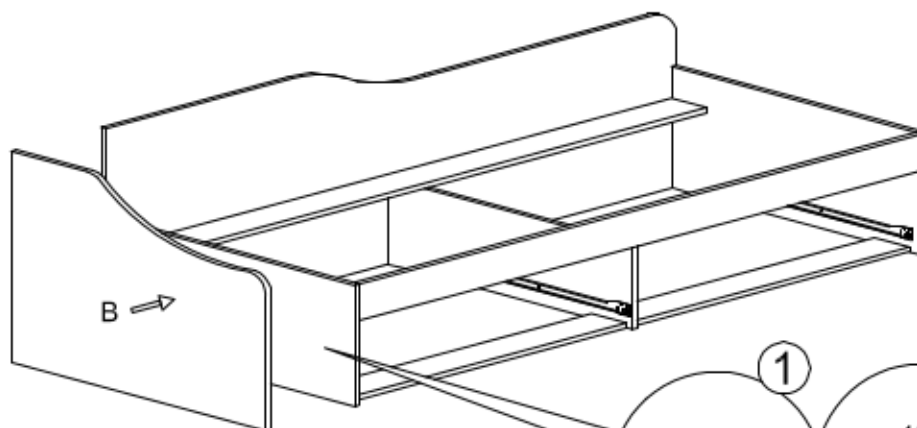


V1

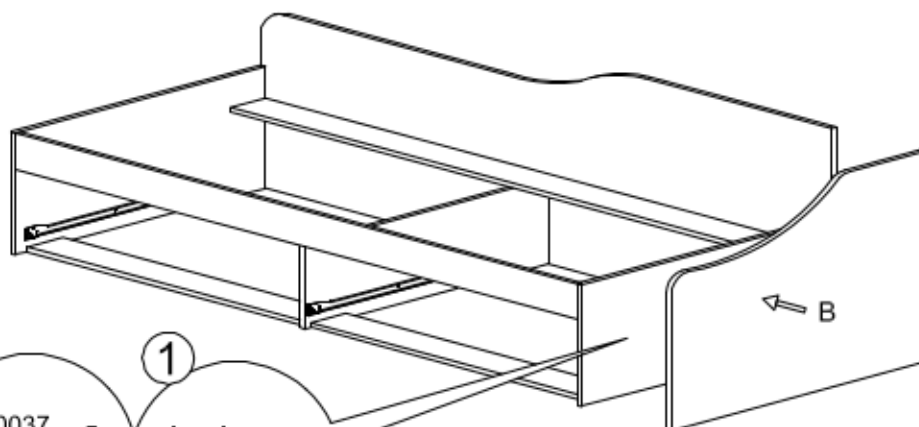
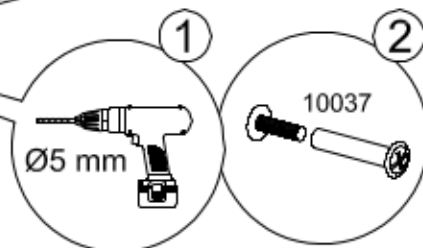


V2

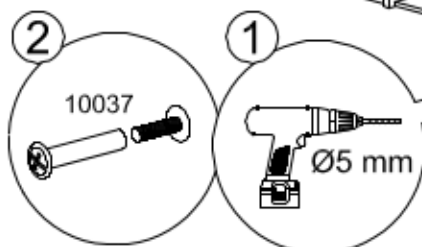
1.7

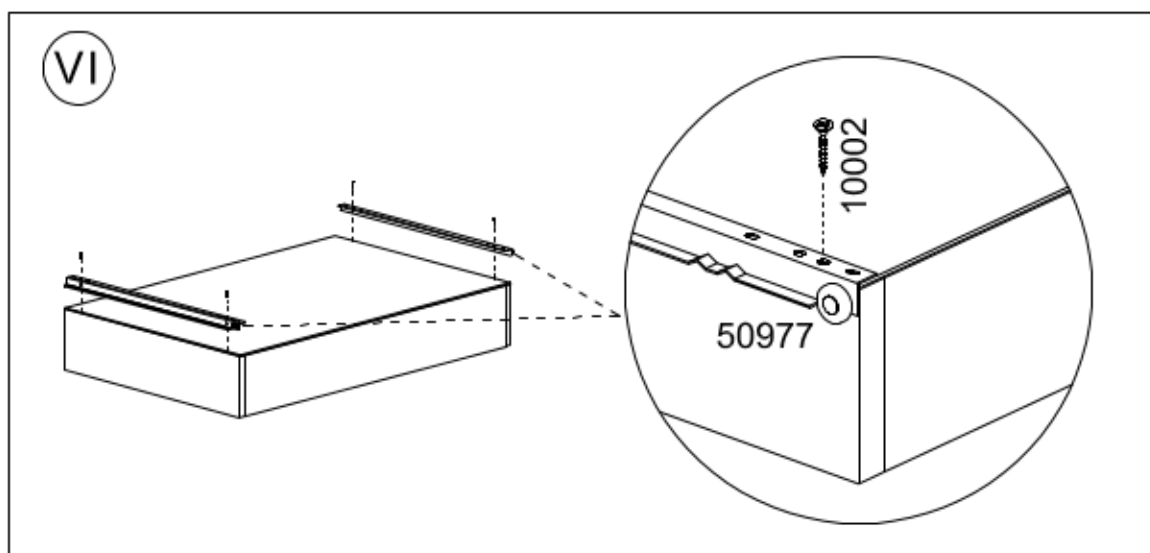
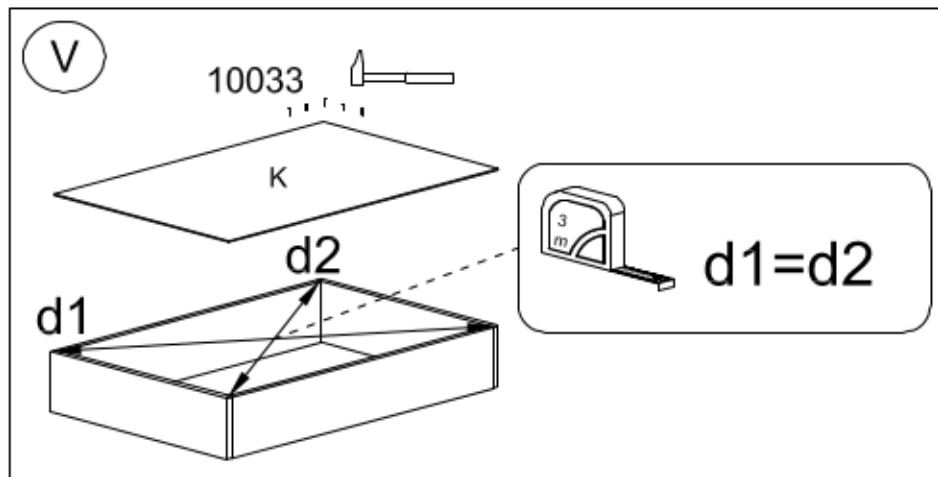
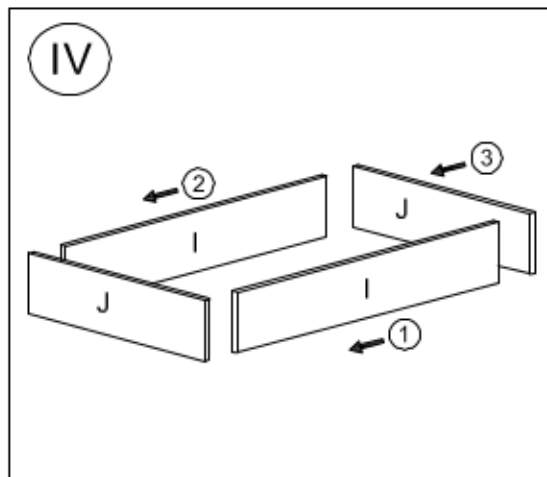
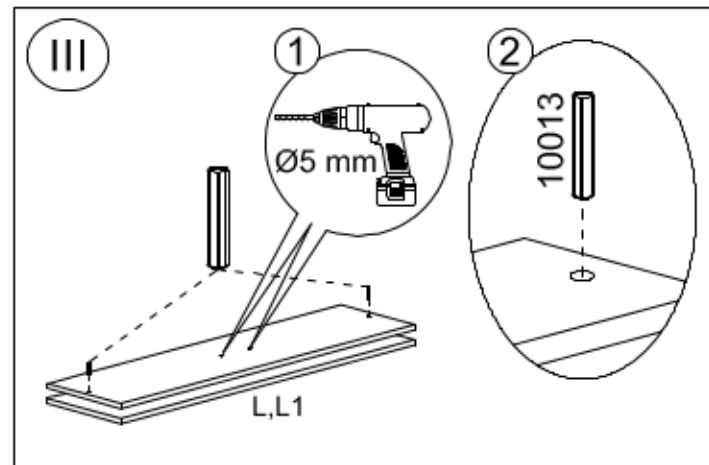
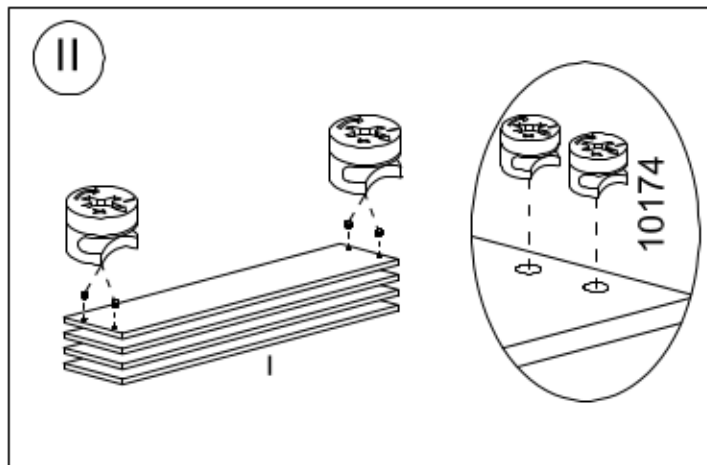
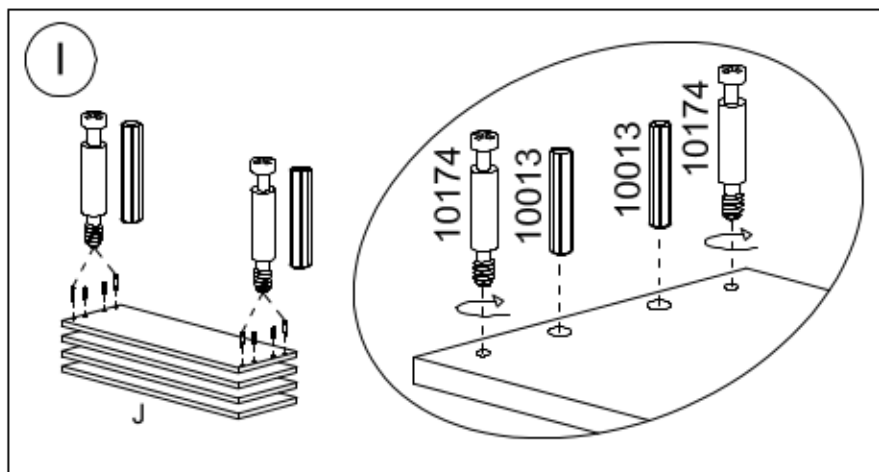


V1



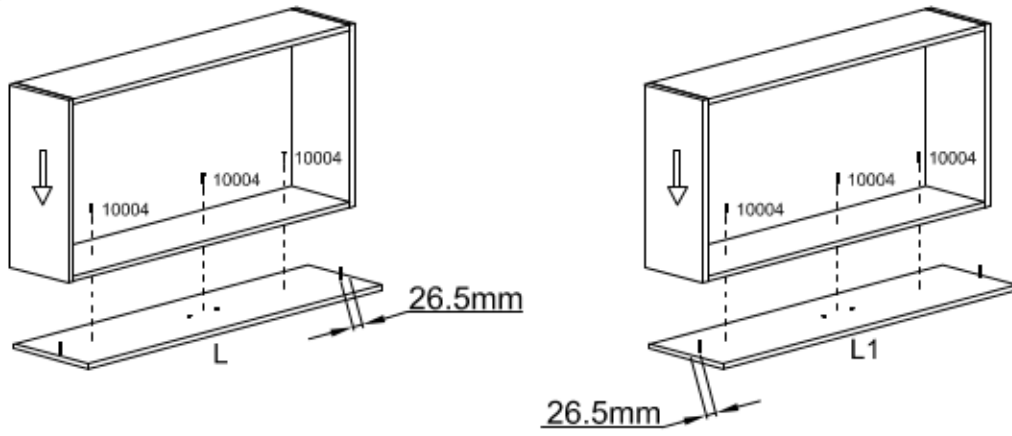
V2



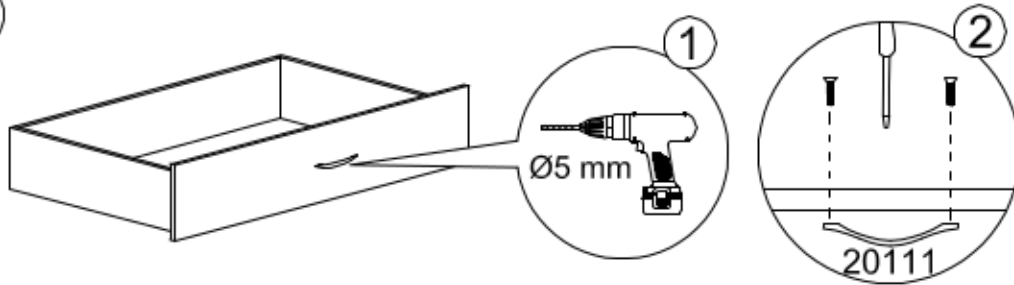




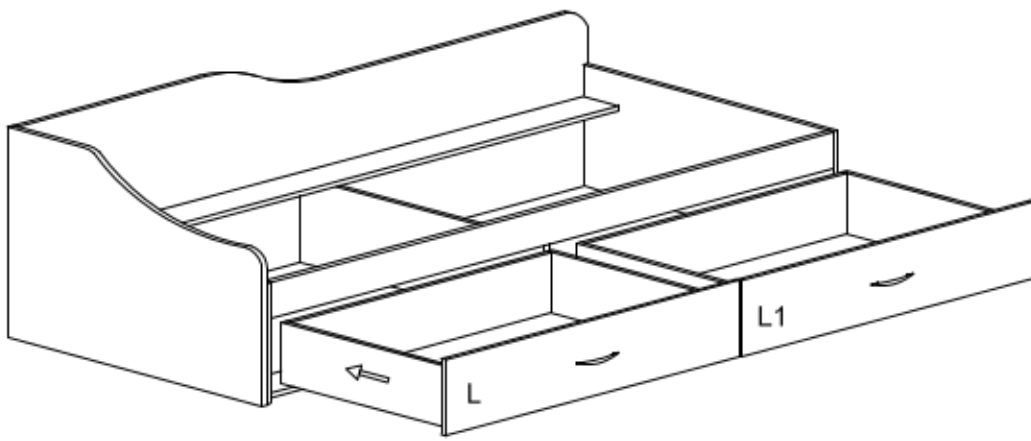
VII



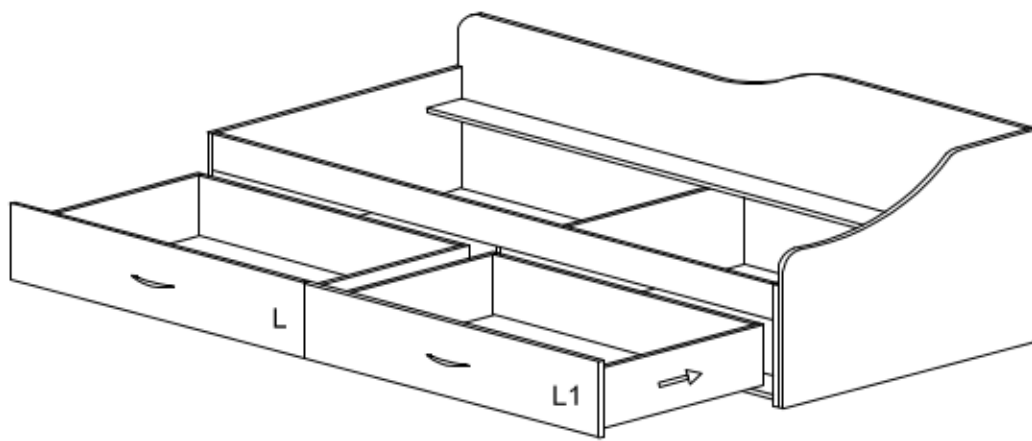
VIII



1.9



V1



V2