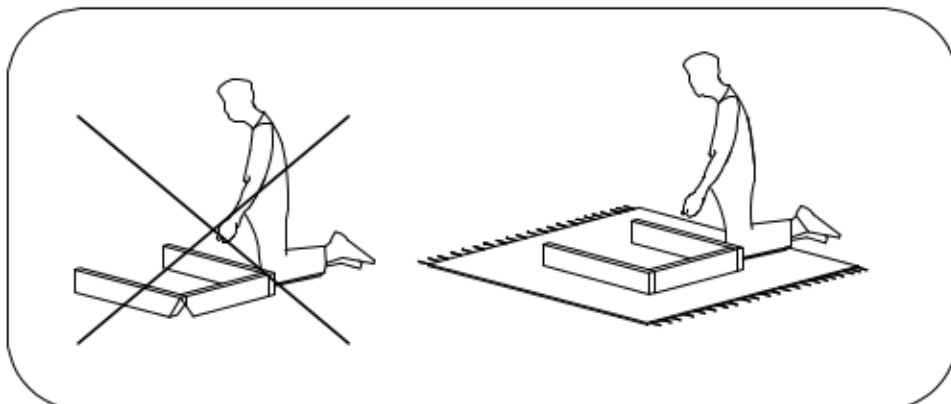
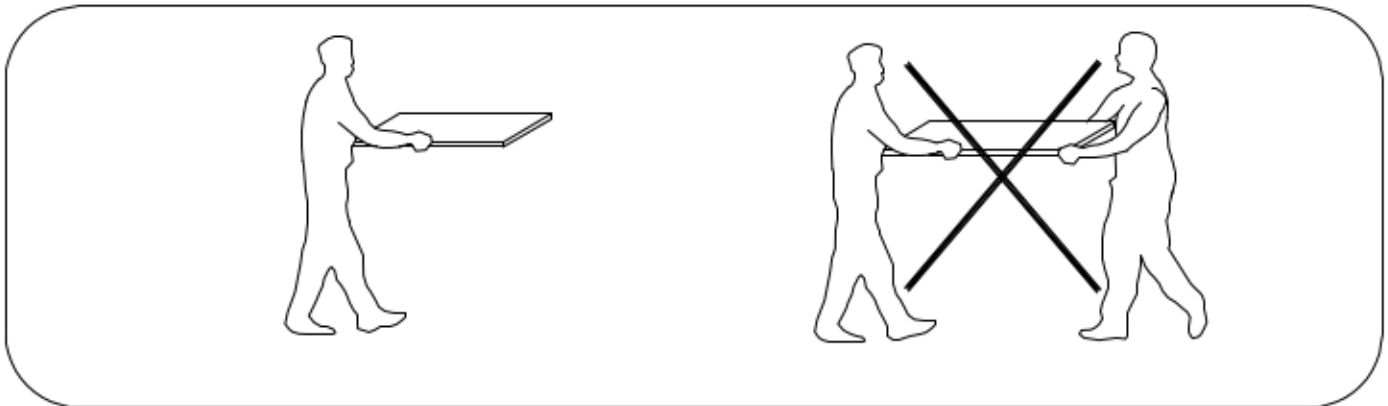
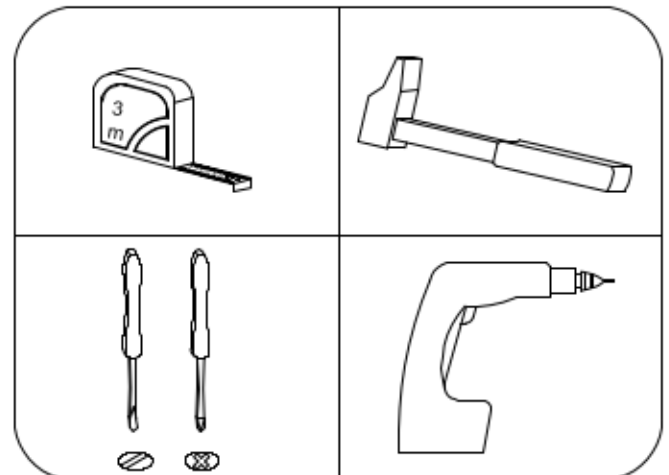
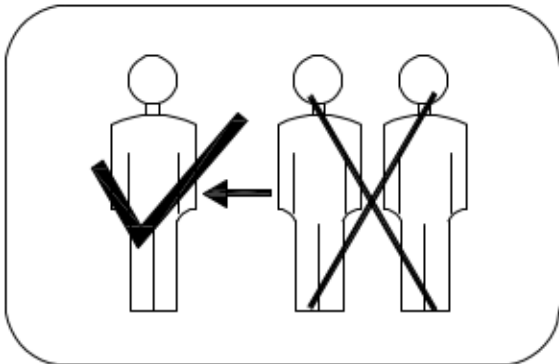
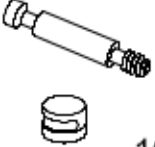


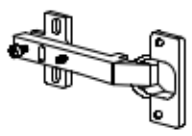






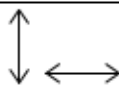


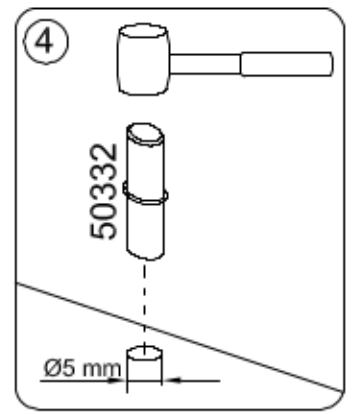
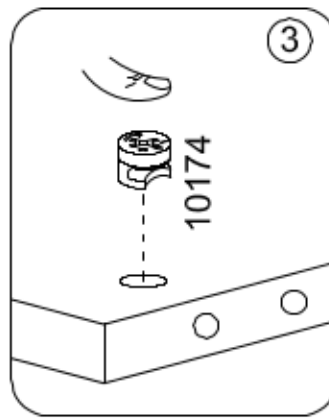
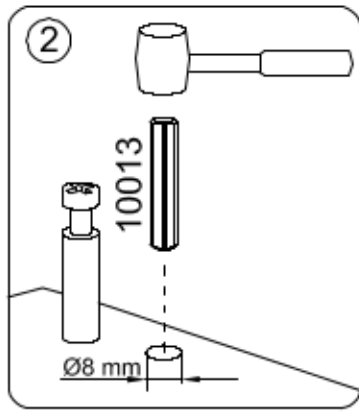
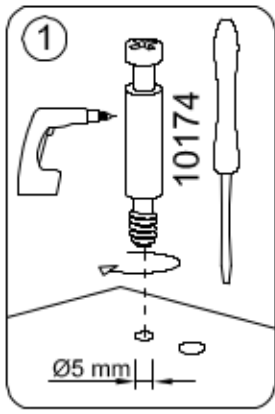
30 min.



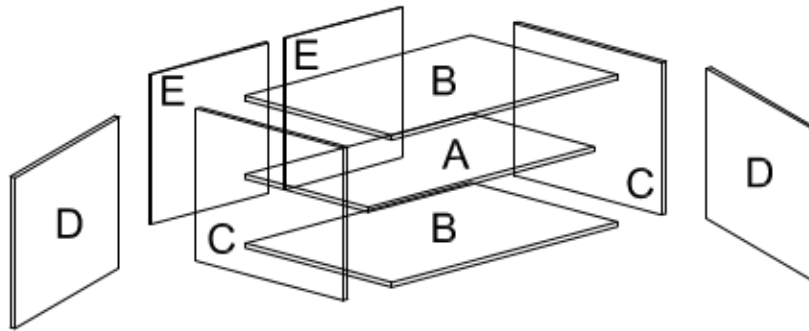


8x  10174	8x  $\Phi$ 8/30 10013	8x  50317	4x  40158
2x  M 4/14 10037	4x  50332	2x  20061	4x  M 4/18 10186
16x  $\Phi$ 3,5/16 10001	 10033		

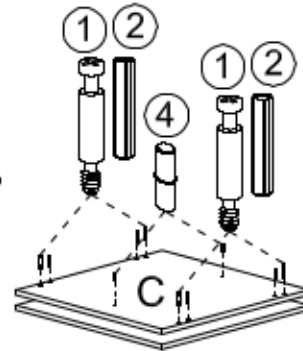
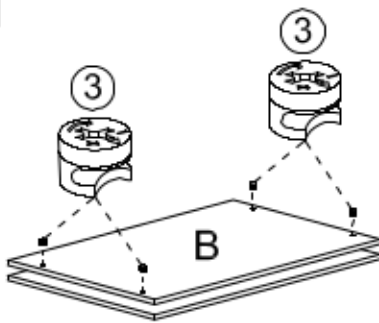
		Box number
A	768x420	1/1
B	2x 768x500	1/1
C	2x 500x500	1/1
D	2x 496x396	1/1
E	2x 495x397	1/1



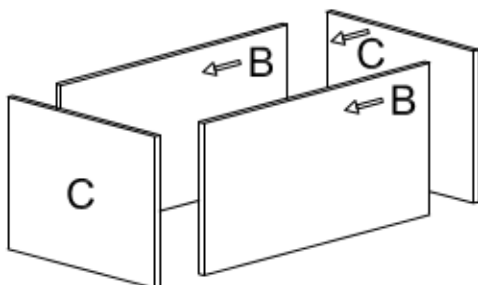
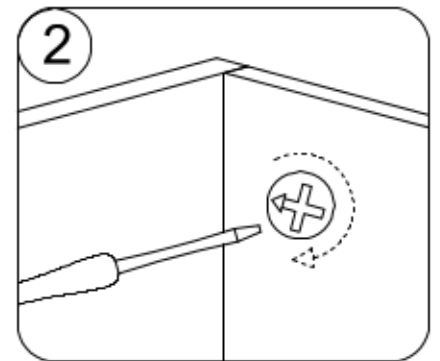
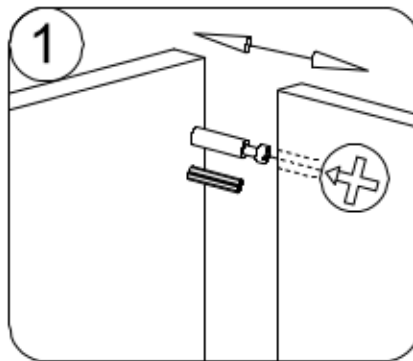
1



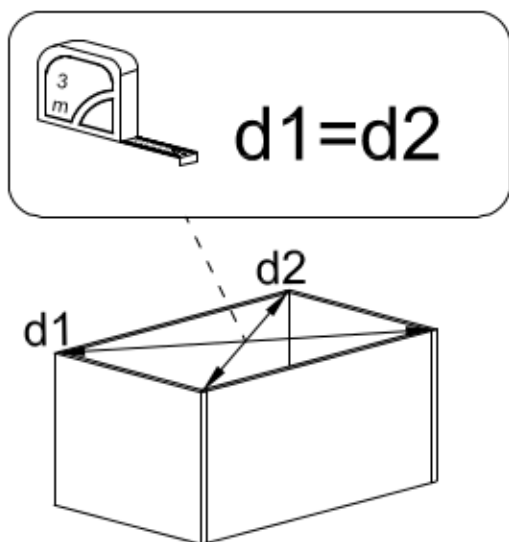
1.1



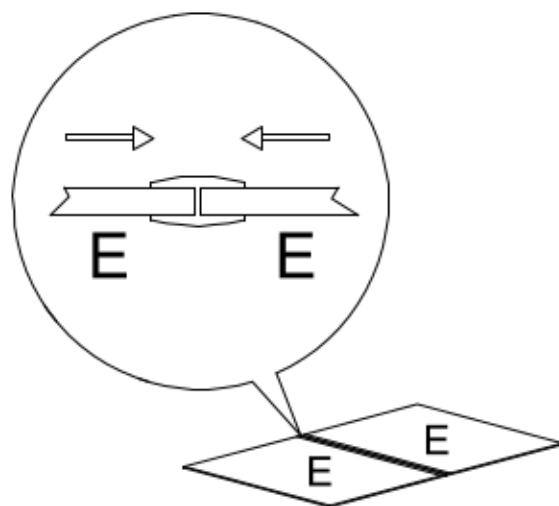
1.2



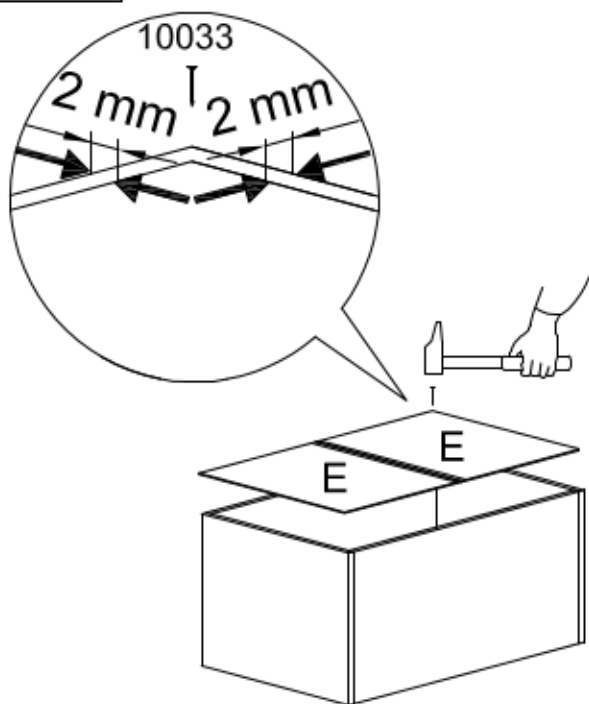
1.3



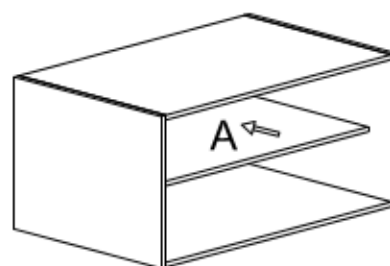
1.4



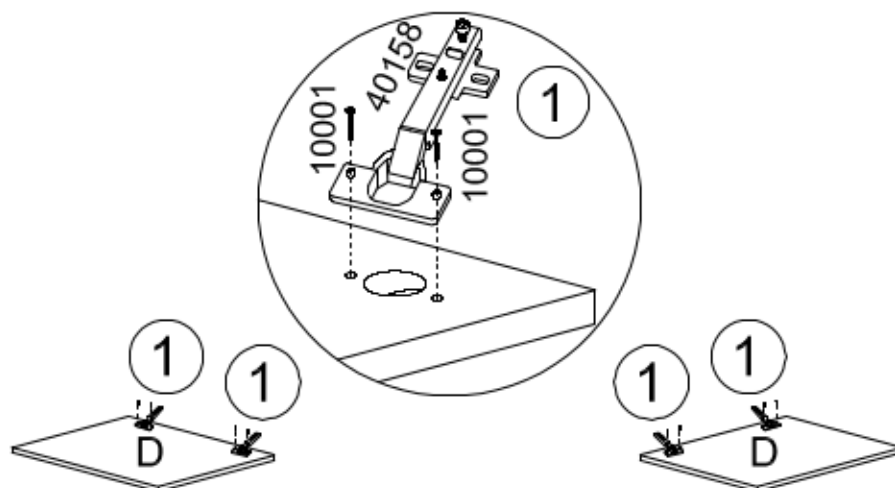
1.5



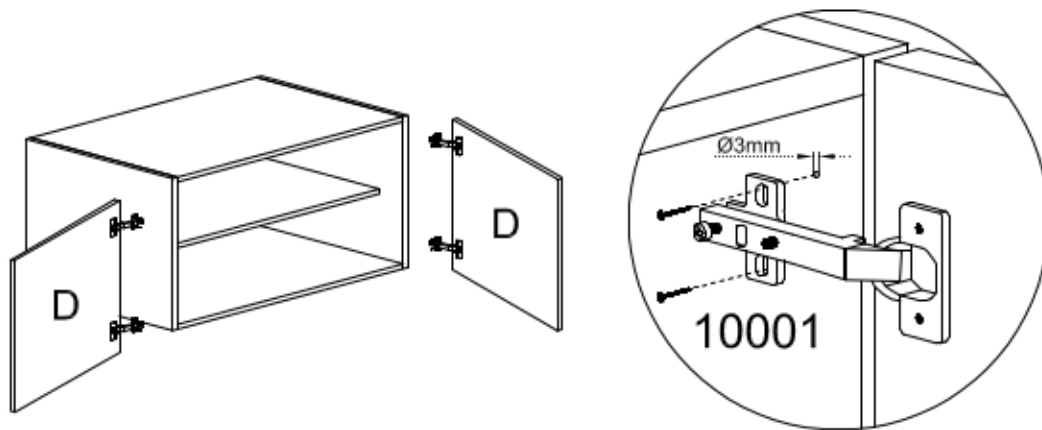
1.6



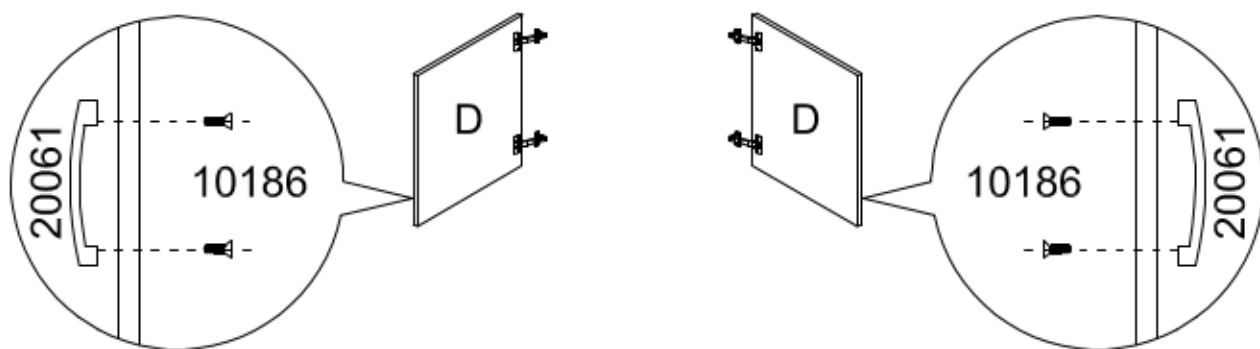
1.7



1.8



1.9



1.10

