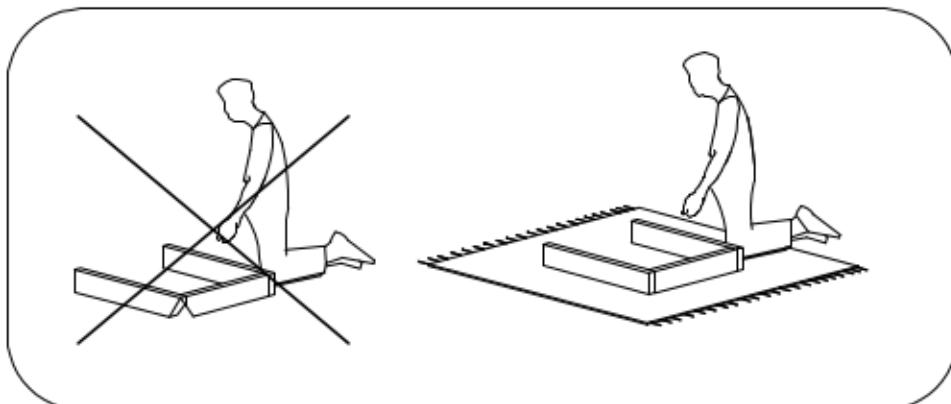
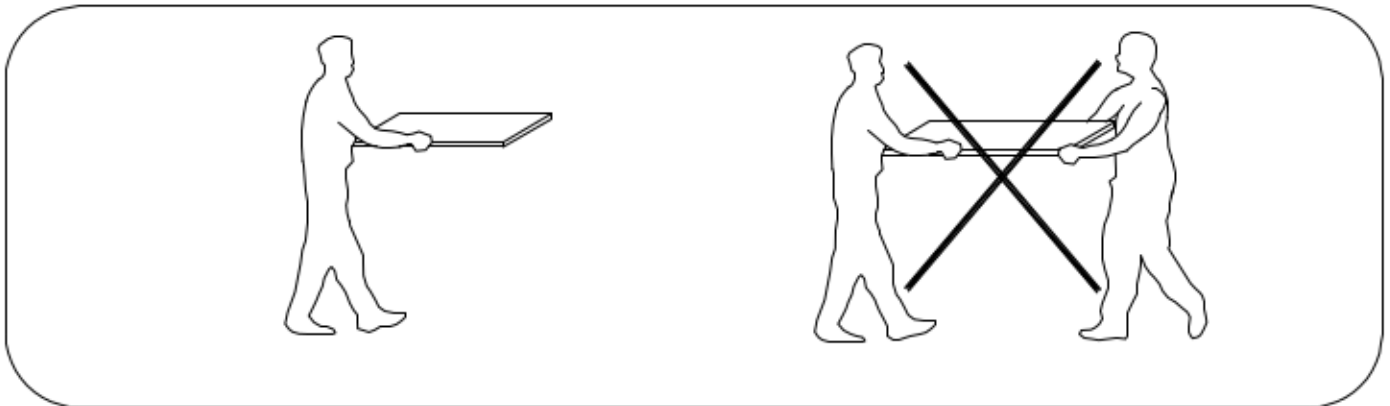
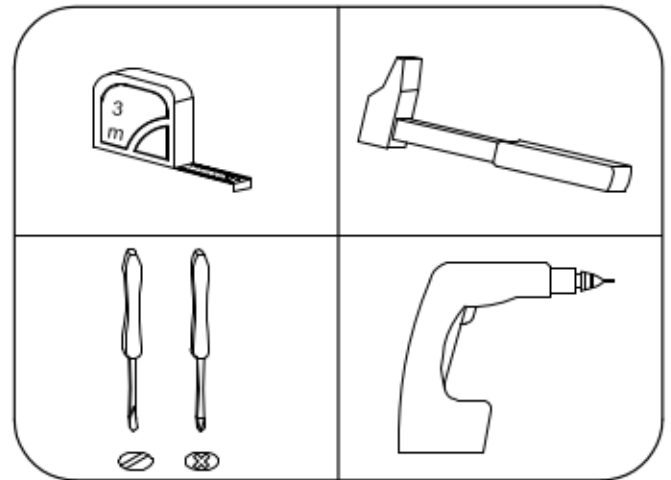
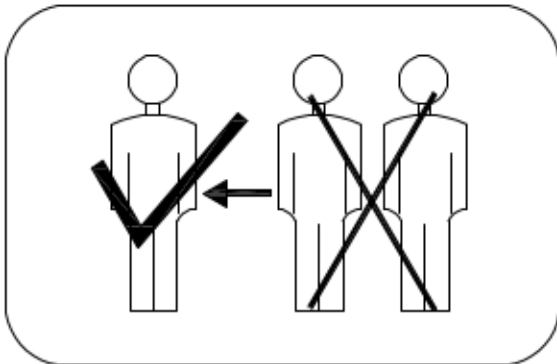
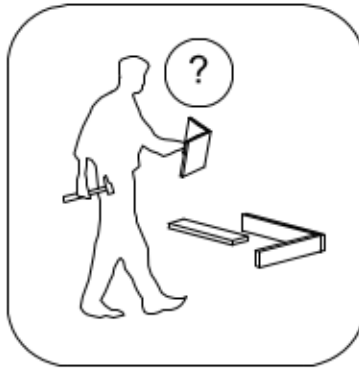



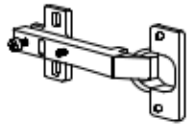
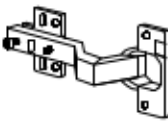






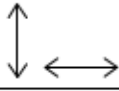


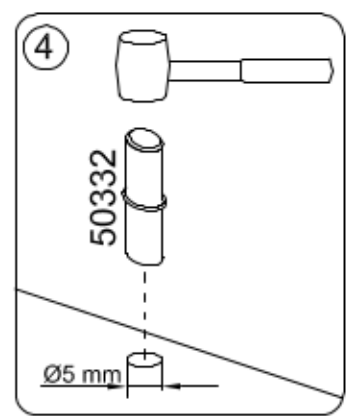
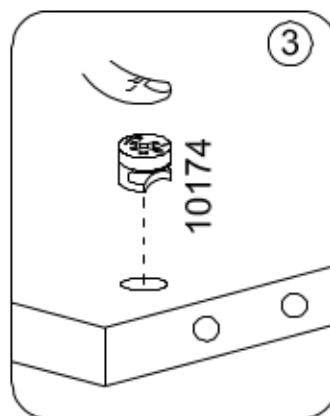
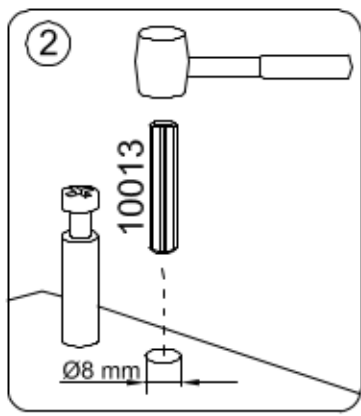
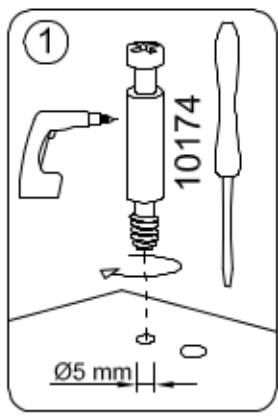
40 min.



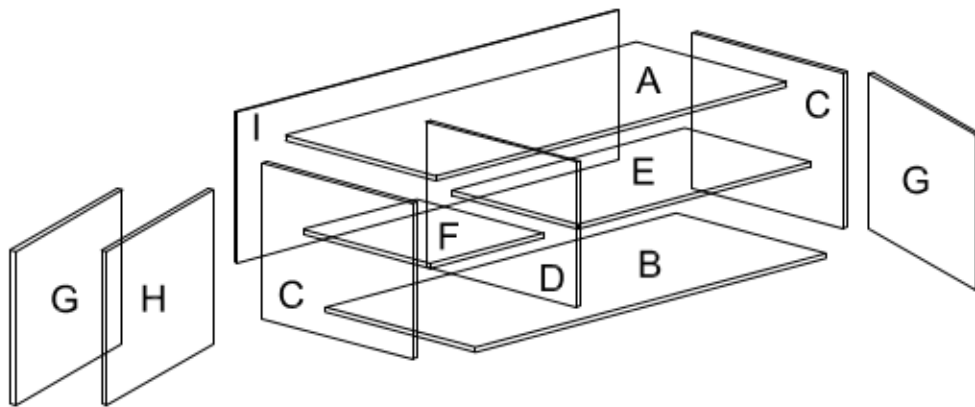


|   |   |  |  |
|---|---|--|--|
| 12x<br><br>10174           | 12x<br><br>Φ 8/30<br>10013     | 12x<br><br>50317 | 4x<br><br>40158           |
| 2x<br><br>40159            | 8x<br><br>50332                | 3x<br><br>20061  | 6x<br><br>M 4/18<br>10186 |
| 4x<br><br>M 4/14<br>10037 | 24x<br><br>Φ 3,5/16<br>10001 | <br>10033      |  |

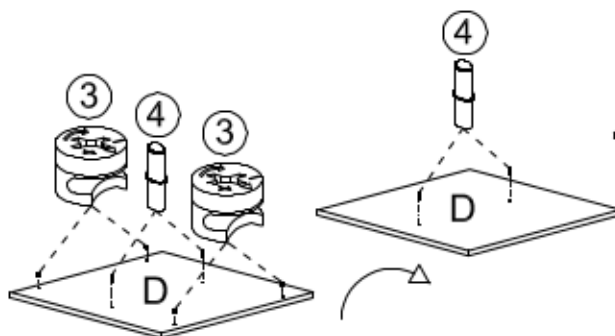
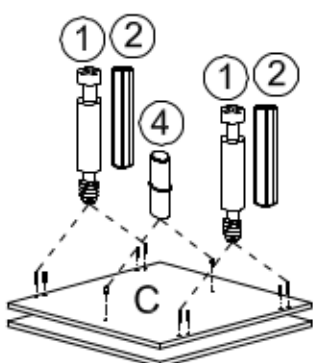
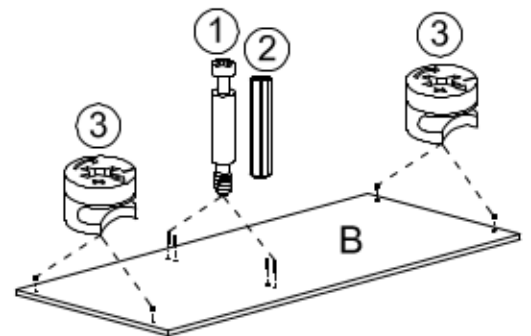
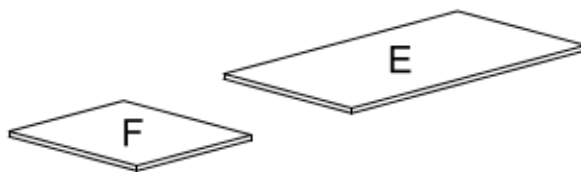
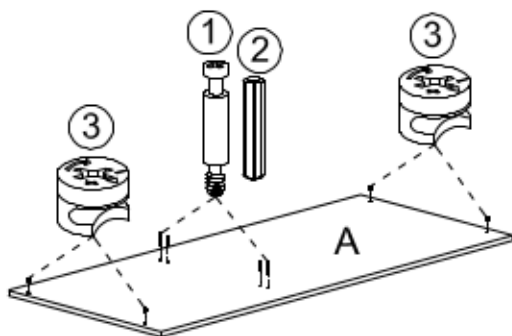
|   |  | Box number |
|---|---|------------|
| A | 1168x500  | 1/2        |
| B | 1168x500  | 1/2        |
| C | 2x 500x500  | 2/2        |
| D | 468x500   | 2/2        |
| E | 776x420   | 1/2        |
| F | 376x420   | 1/2        |
| G | 2x 496x396  | 1/2        |
| H | 496x396   | 1/2        |
| I | 495x1195  | 1/2        |



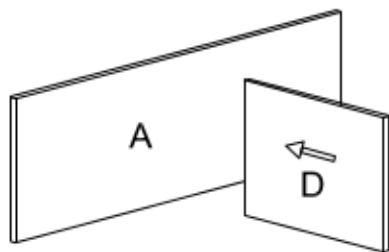
1



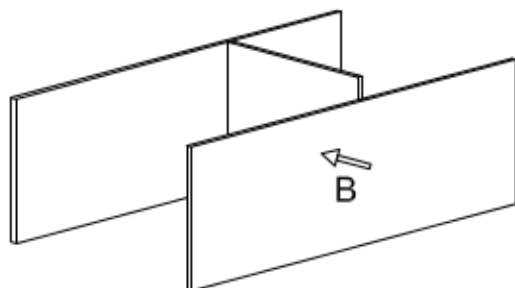
1.1



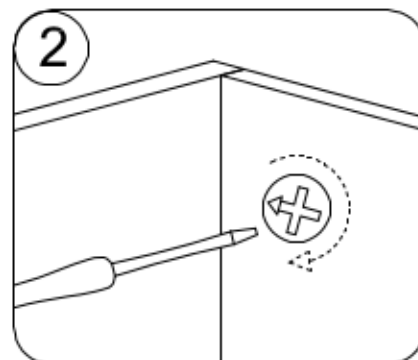
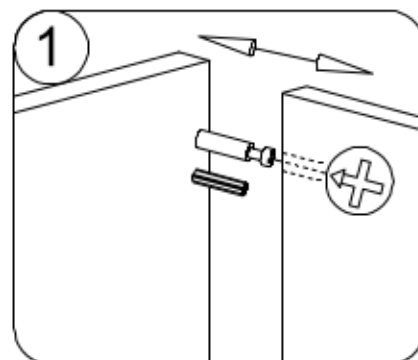
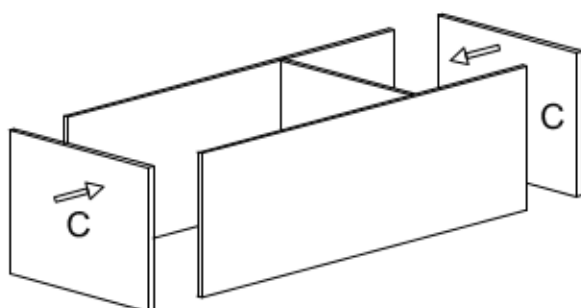
1.2



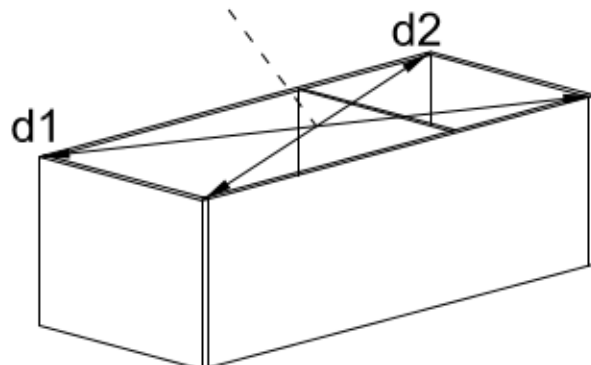
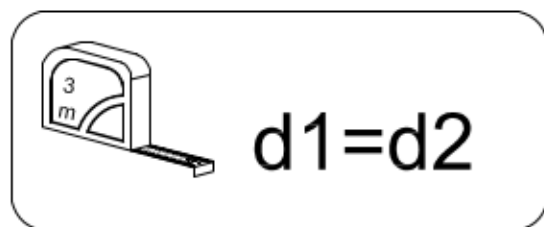
1.3



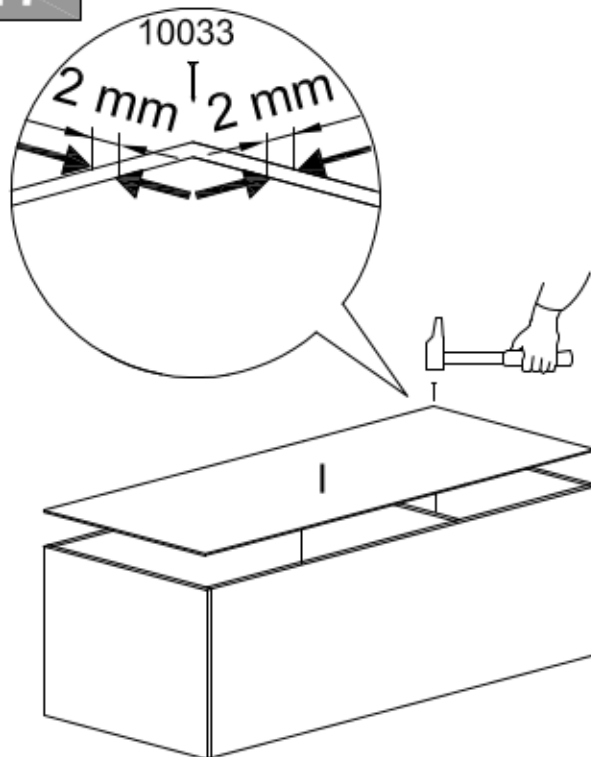
1.4



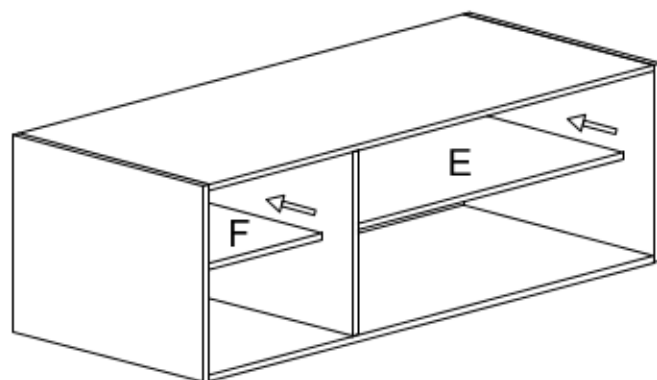
1.5



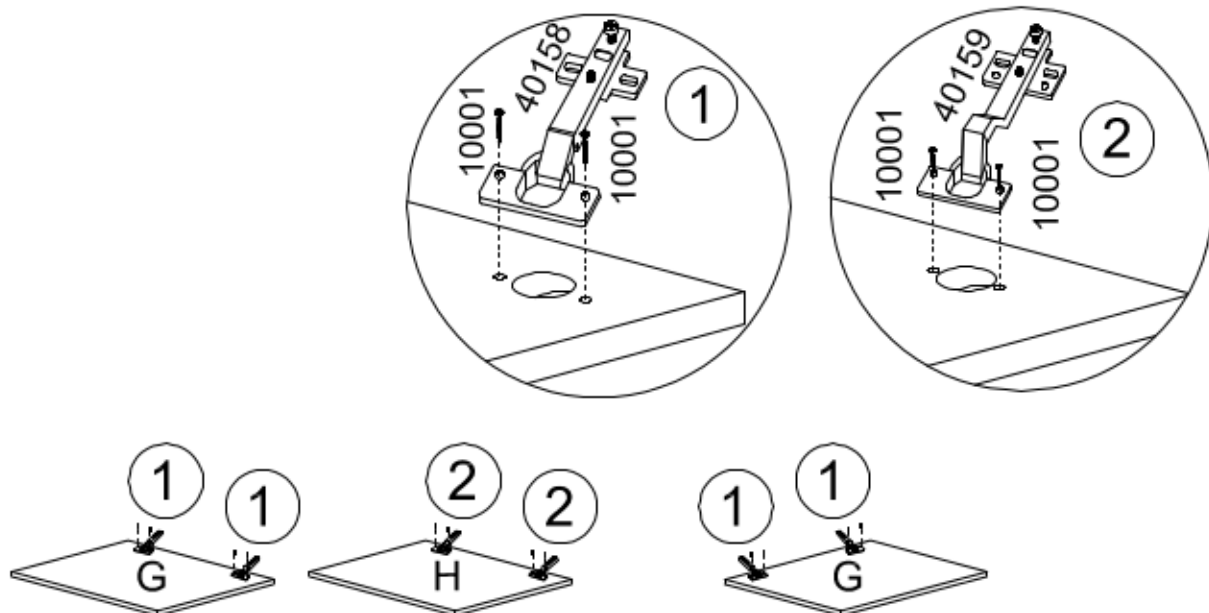
1.7



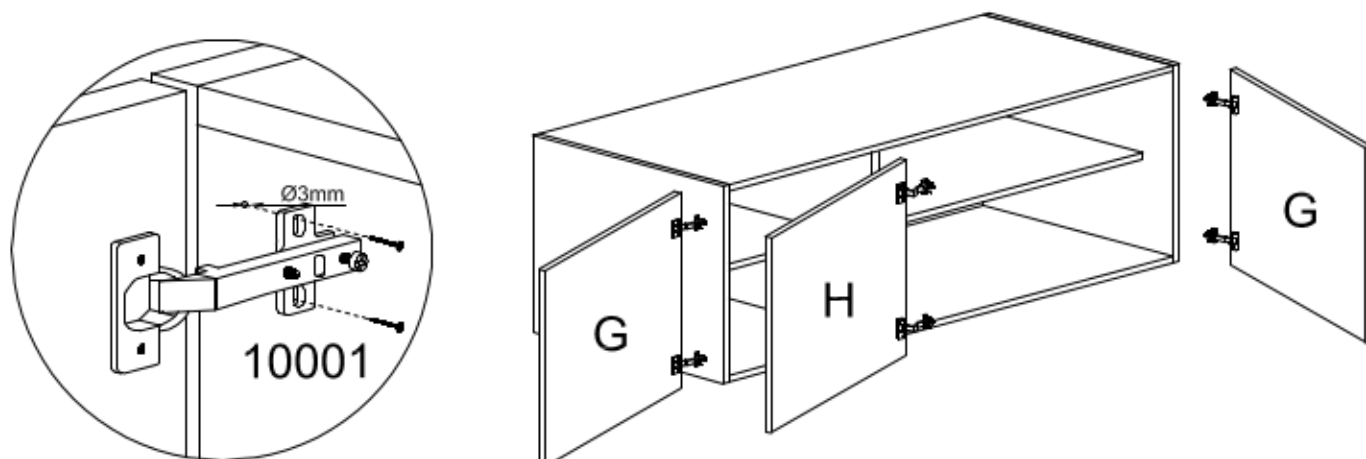
1.8



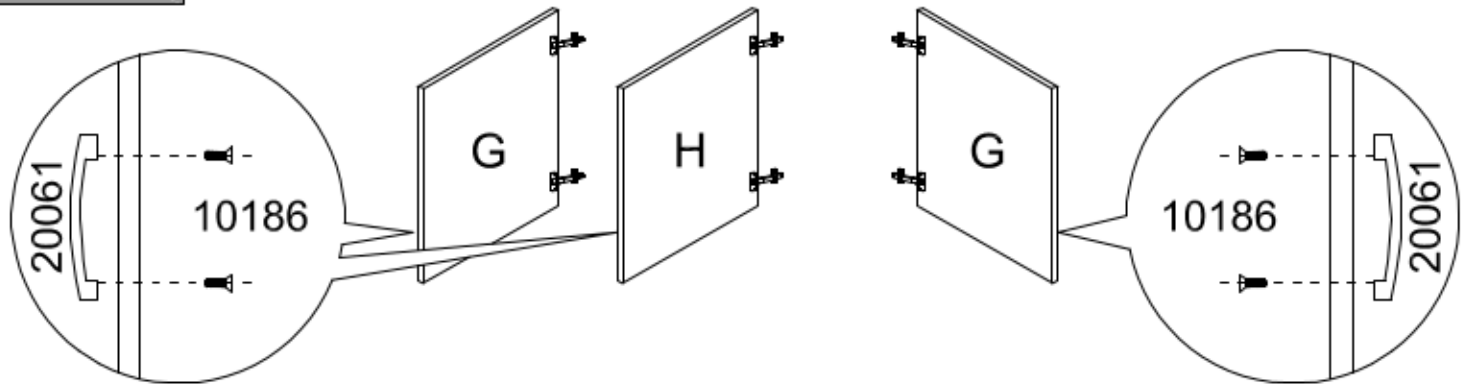
1.9



1.10



# 1.11



# 1.12

