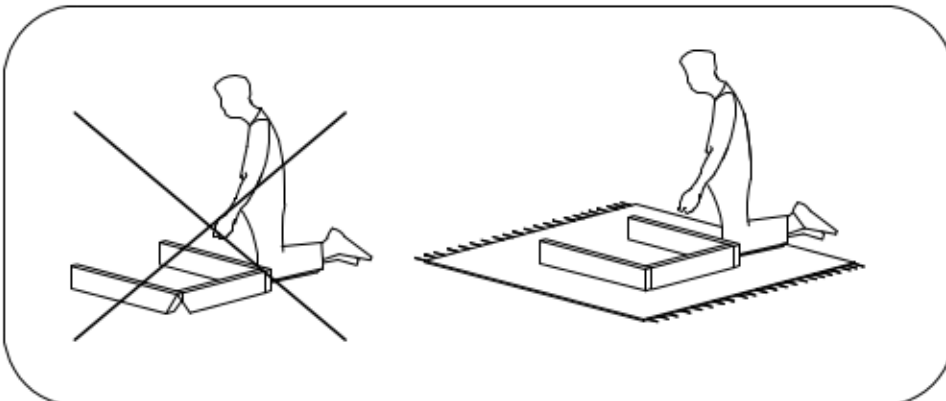
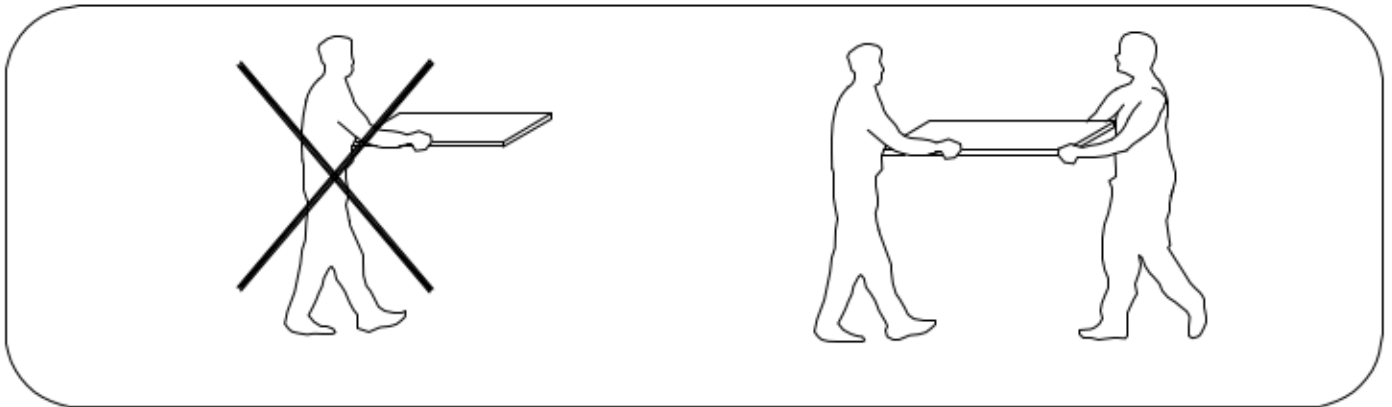
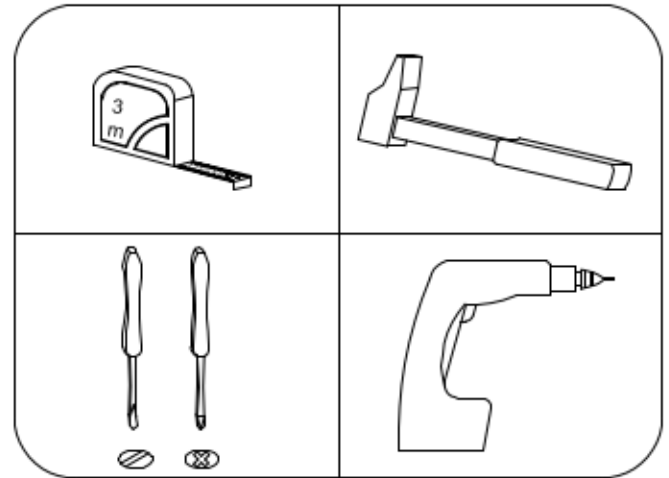
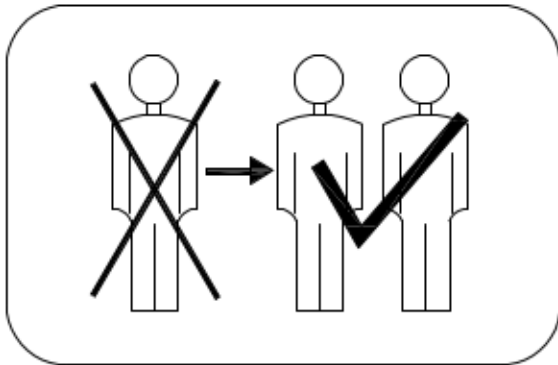
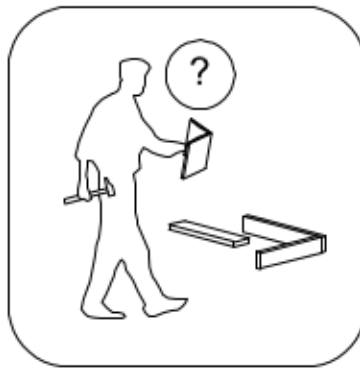


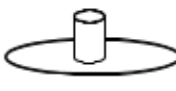

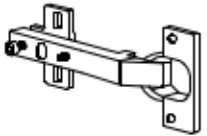












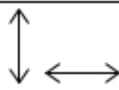


180 min.

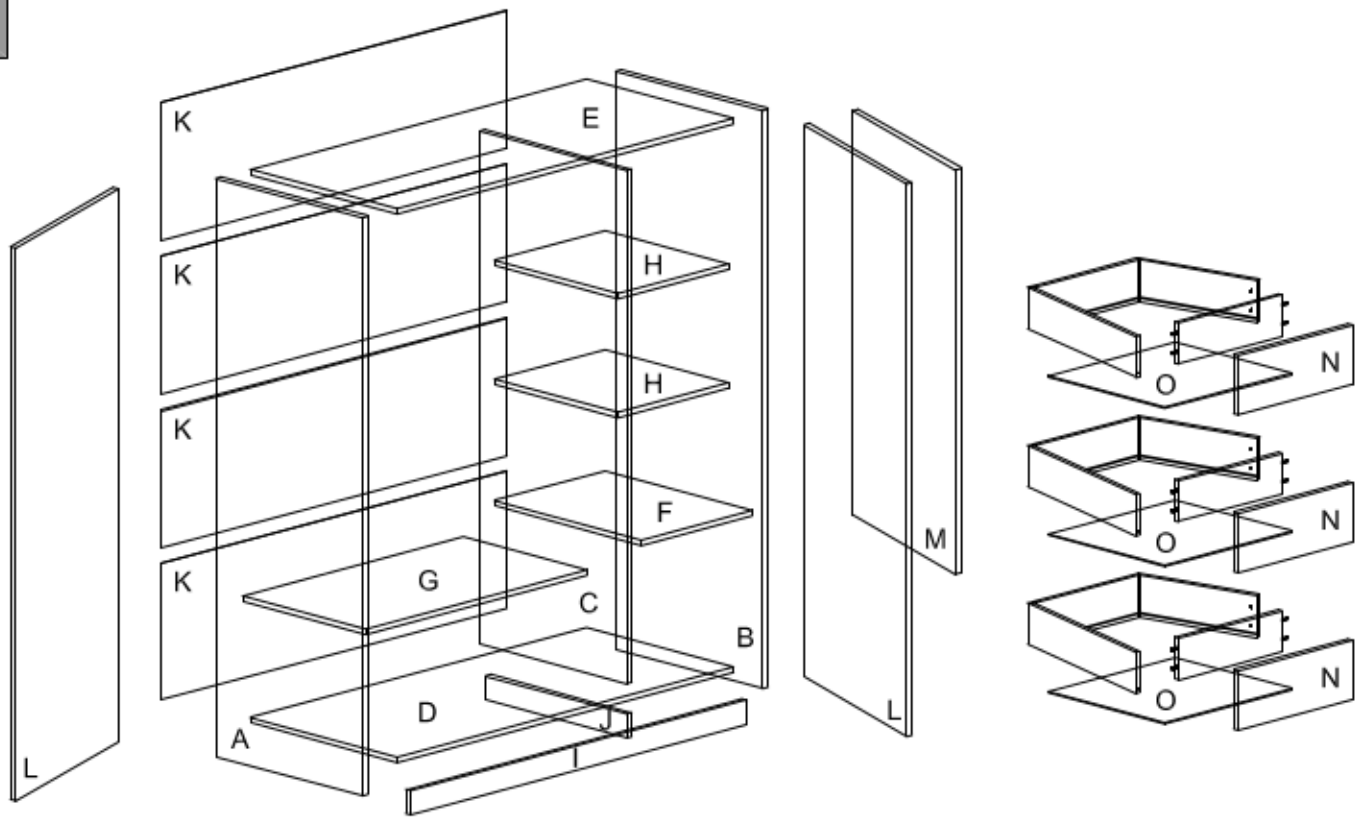




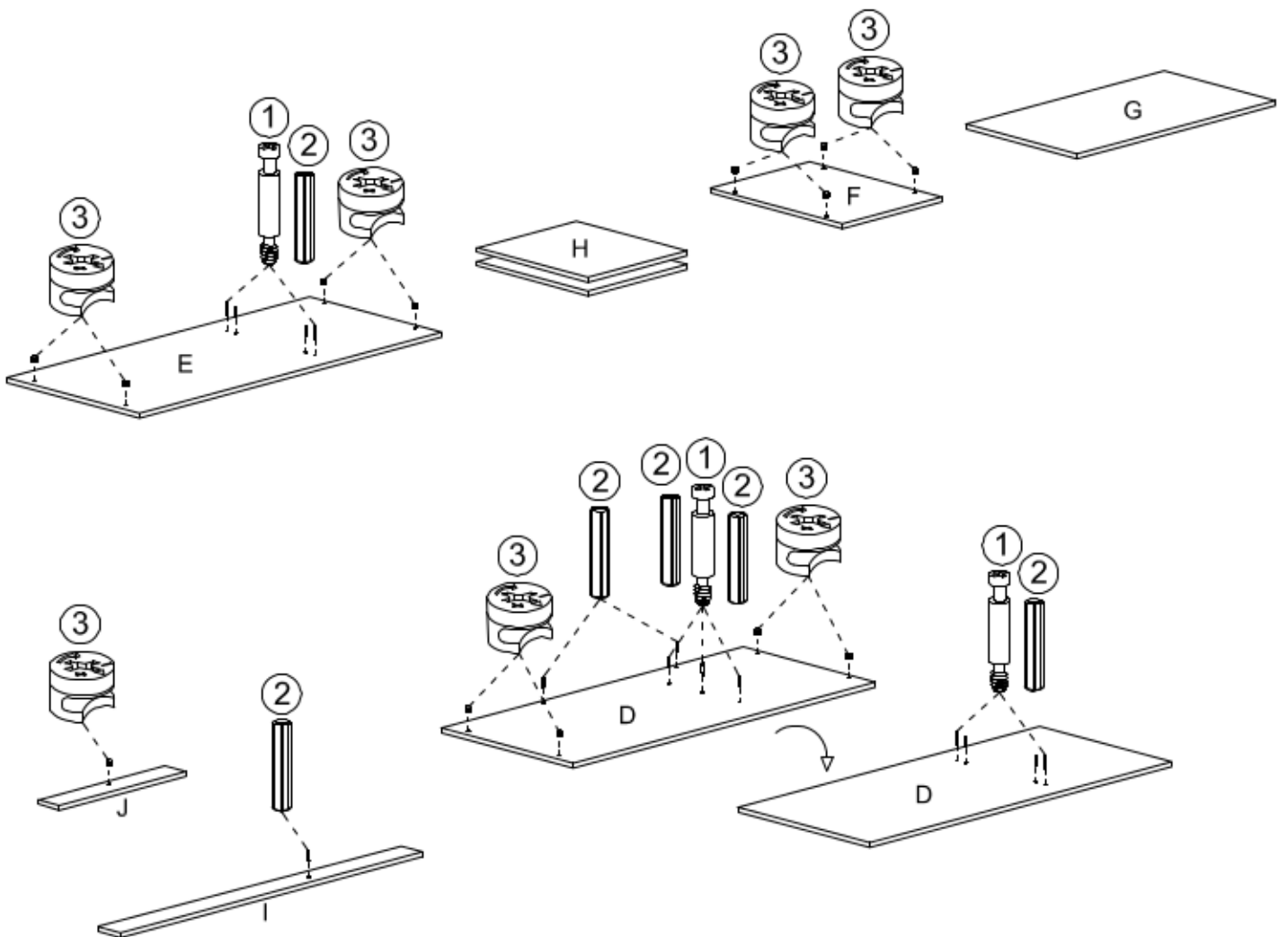
17x  10174	31x  $\Phi$ 8/30 10260	17x  50317	12x  50332
9x  40158	2x  50011	6x  50246	6x  20111
3x  L 450 mm 50956	6x  50505	6x  M 4x32 10262	6x  M 4x18 10186
6x  $\Phi$ 3,5/25 10003	12x  $\Phi$ 3,5/20 10002	60x  $\Phi$ 3,5/16 10001	24x  $\Phi$ 3/16 10022
 10033			

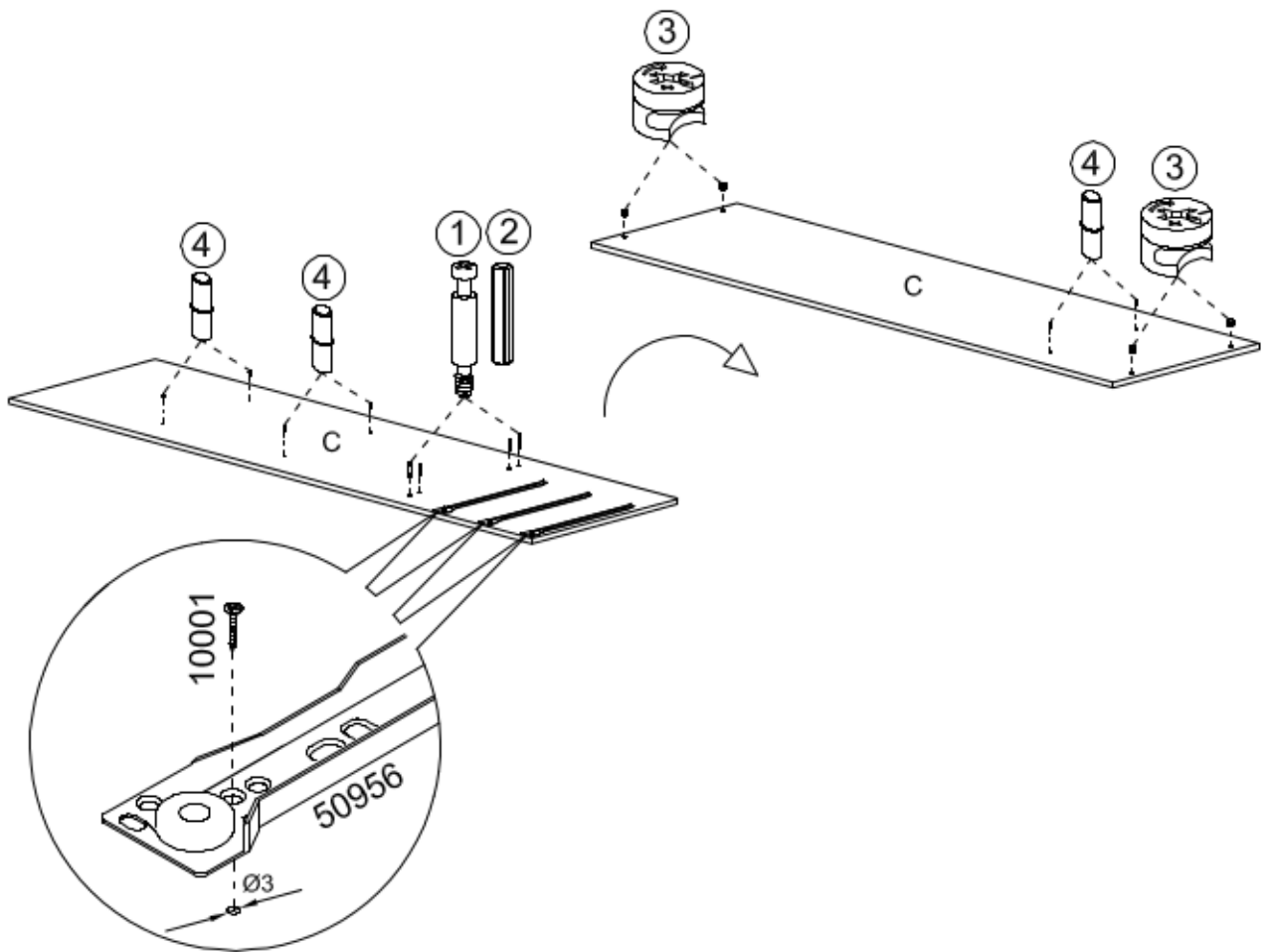
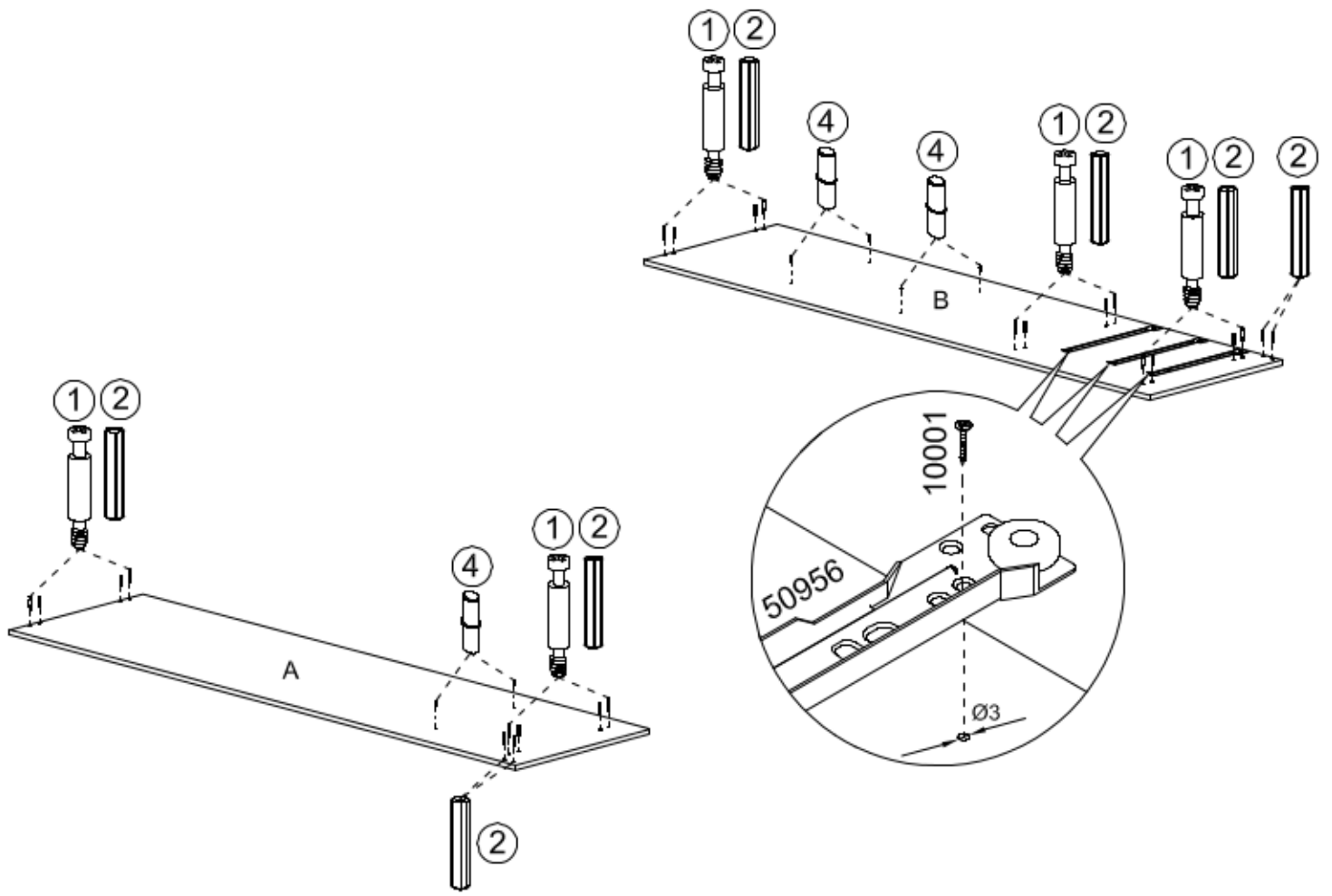
		Box number
A	1900x500	1/3
B	1900x500	1/3
C	1788x500	2/3
D	1144x500	3/3
E	1144x500	3/3
F	376x500	3/3
G	752x420	3/3
H	2x 376x420	3/3
I	1144x80	3/3
J	480x80	2/3
K	4x 1174x452	2/3
L	2x 1817x389	4/3
M	1328x389	4/3
N	3x 160x389	4/3
O	3x 435x336	2/3

1

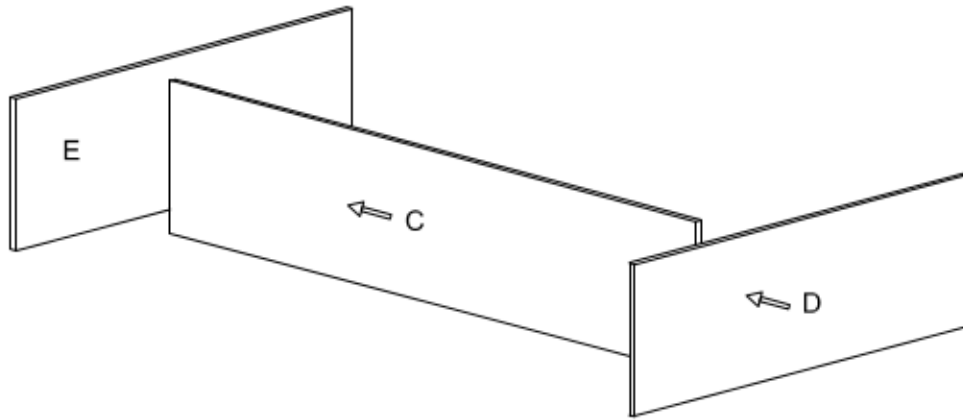
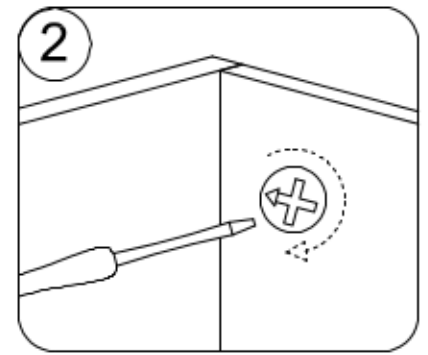
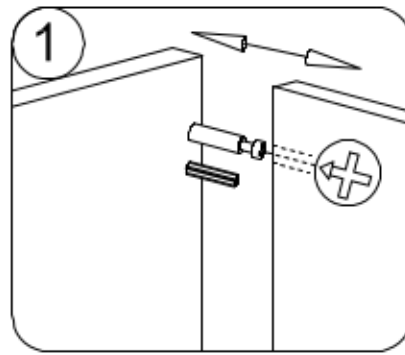


1.1

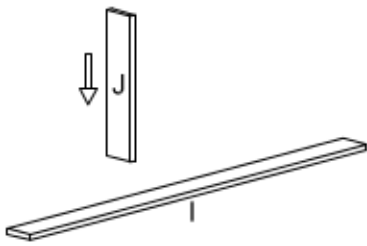




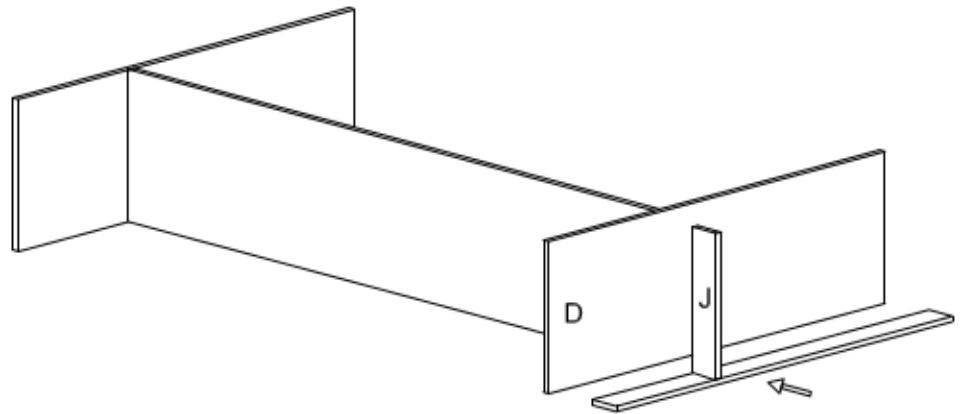
1.2



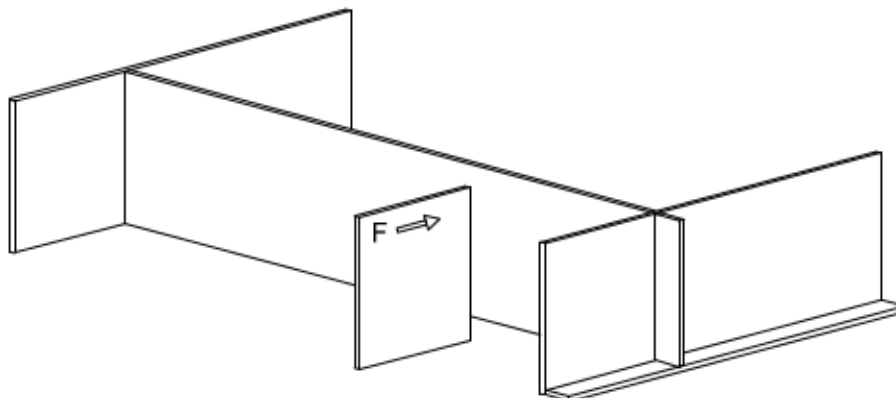
1.3



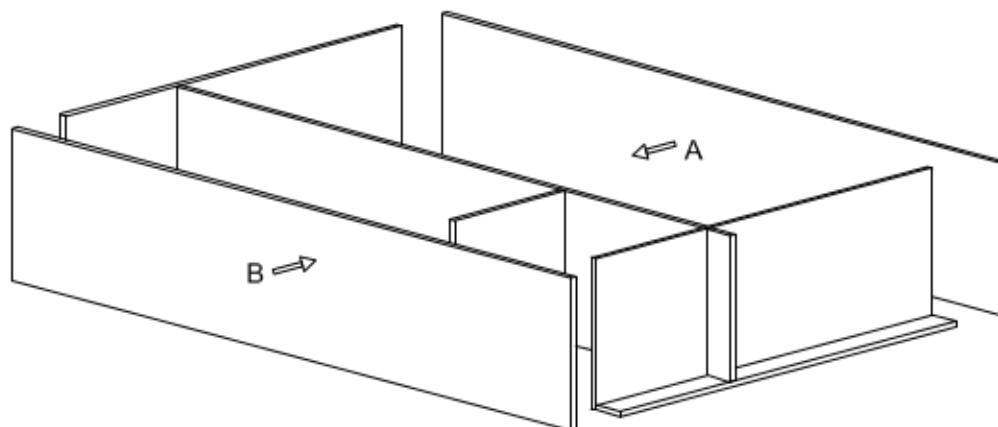
1.4



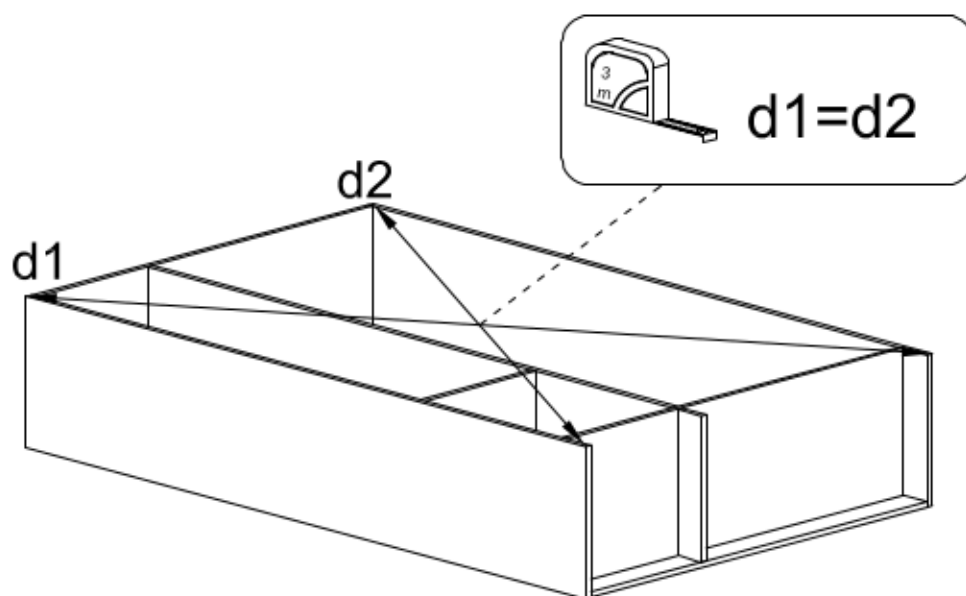
1.5



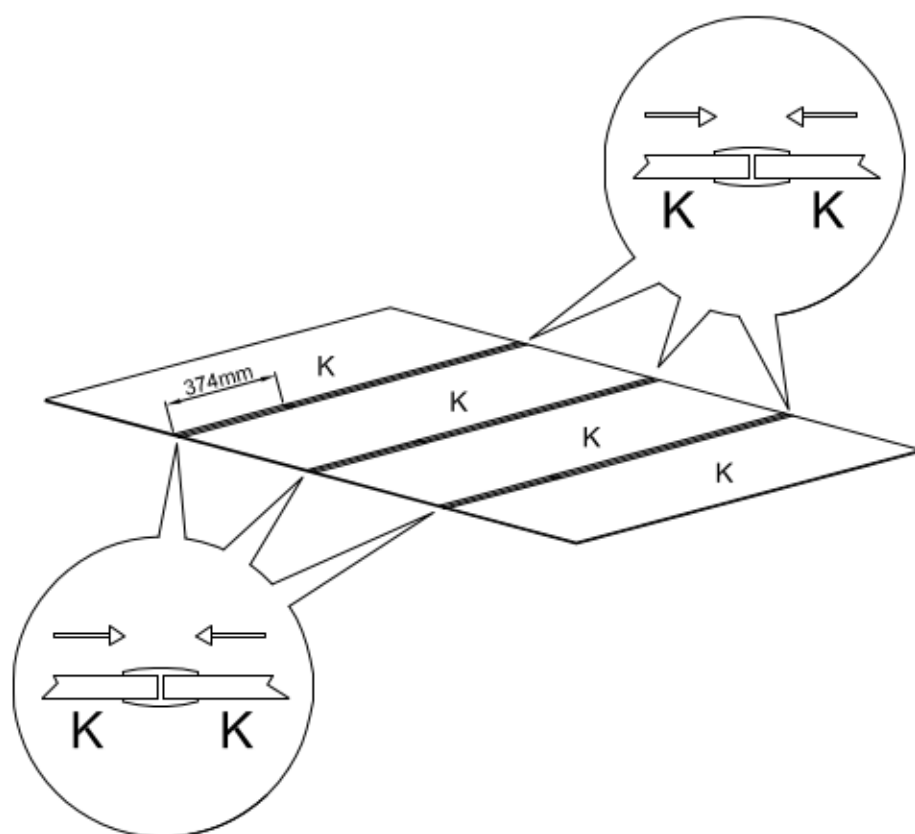
1.6



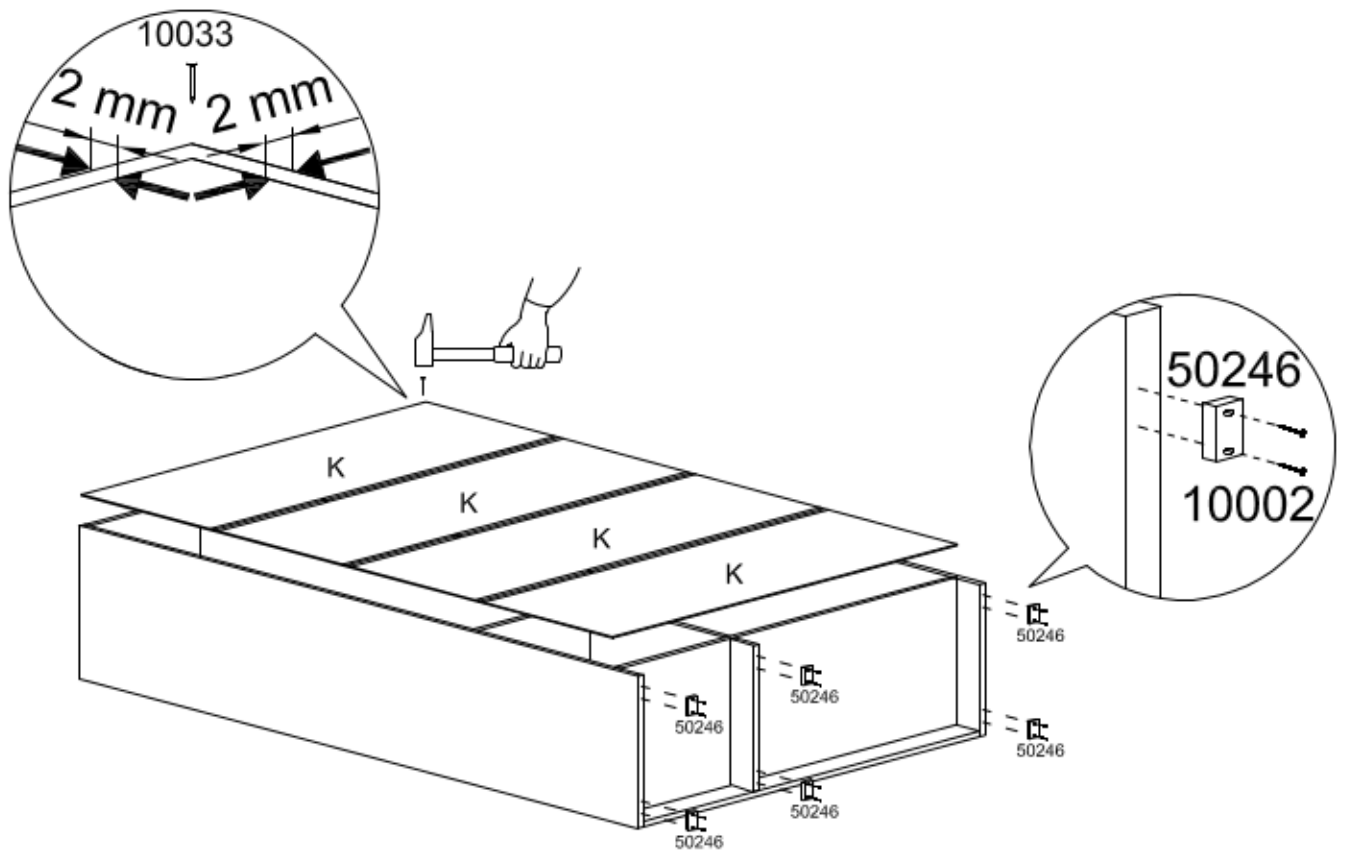
1.7



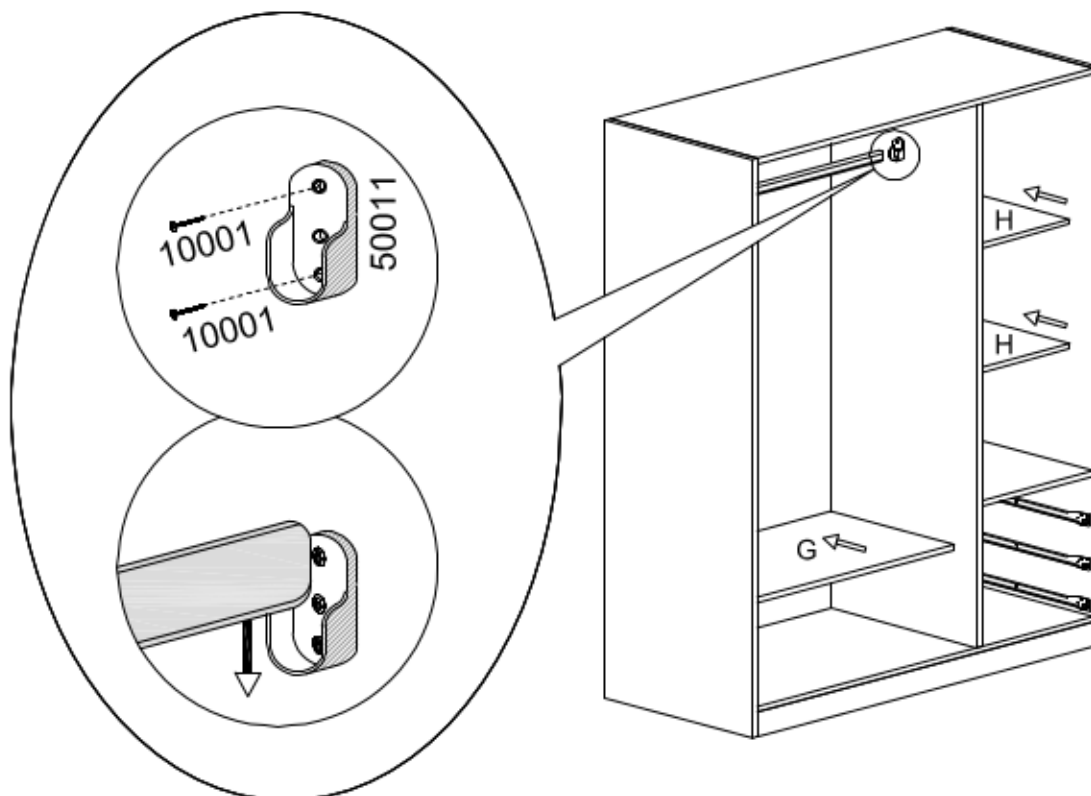
1.8



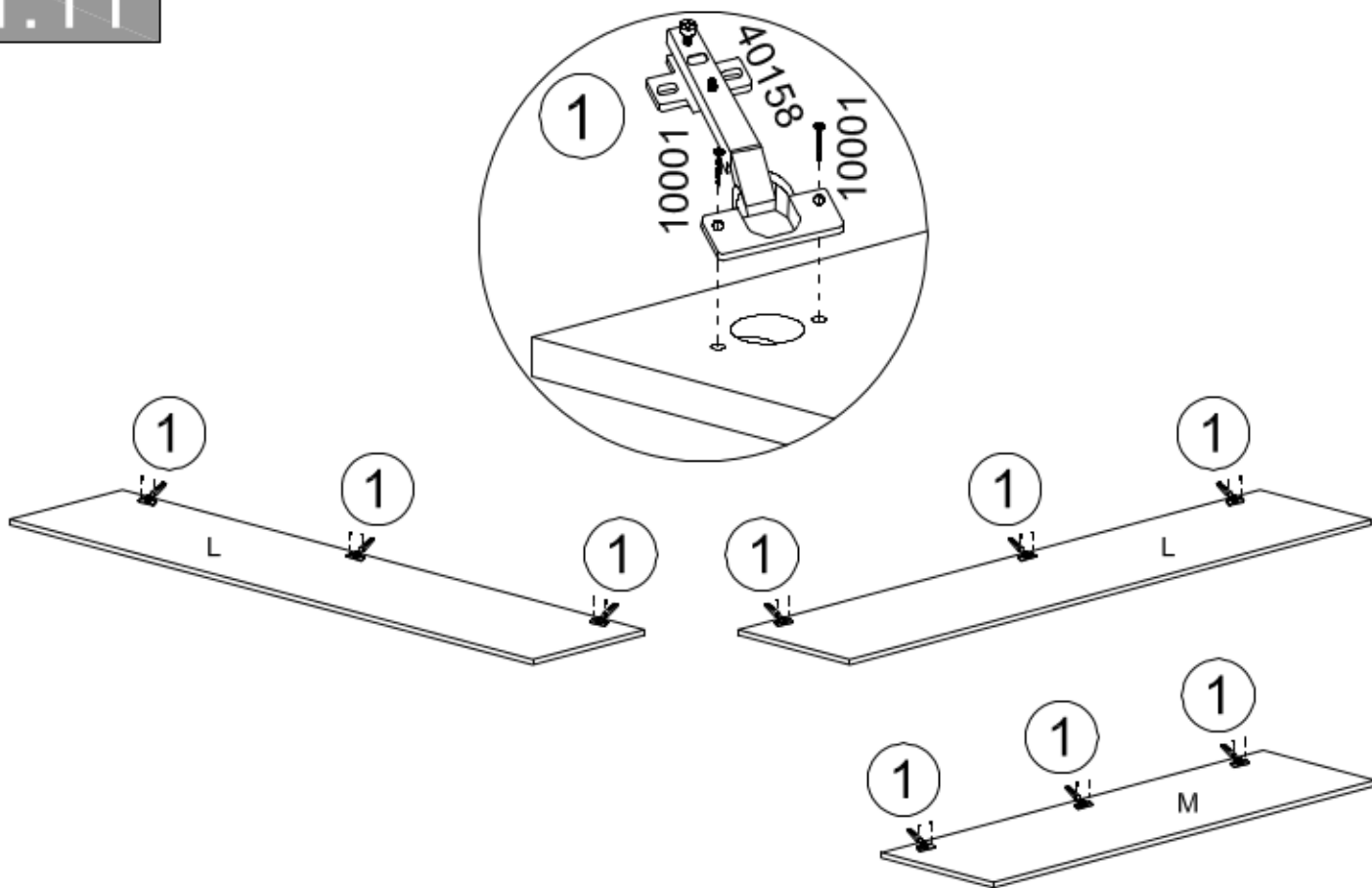
# 1.9



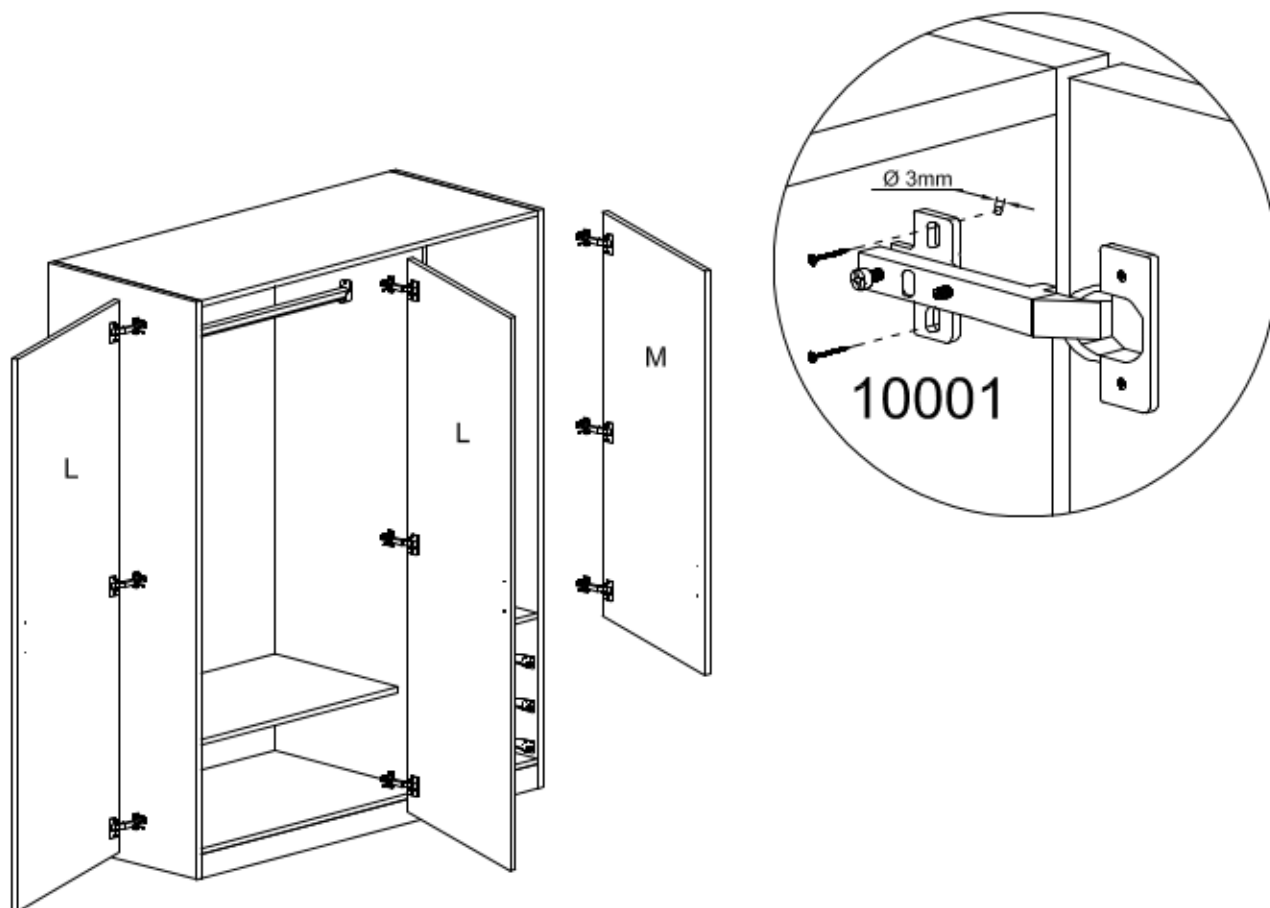
# 1.10



# 1.11

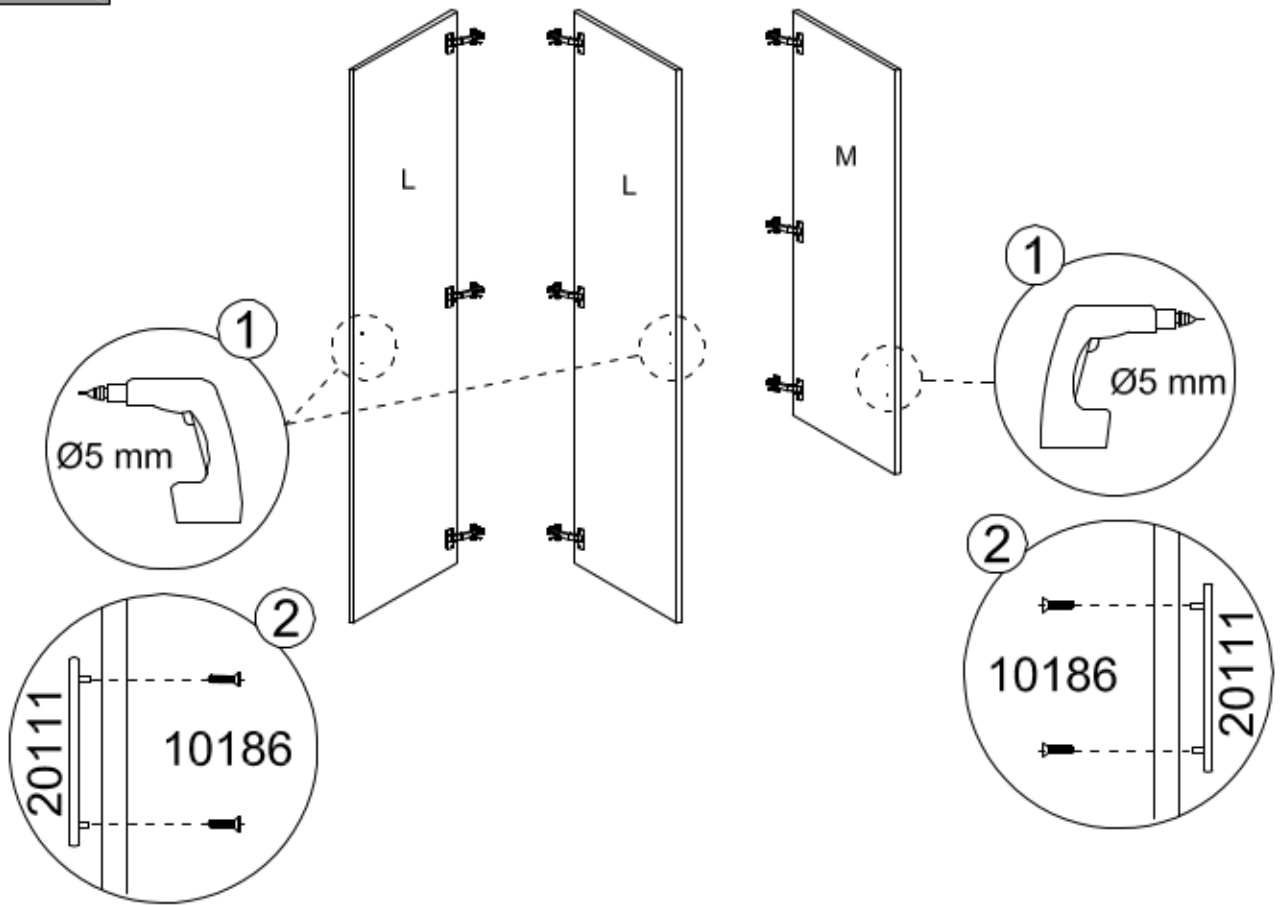


# 1.12





# 1.13



# 1.14

