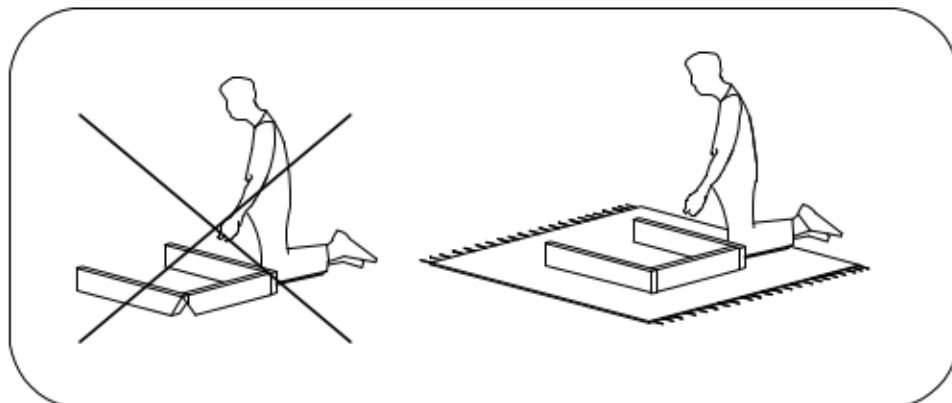
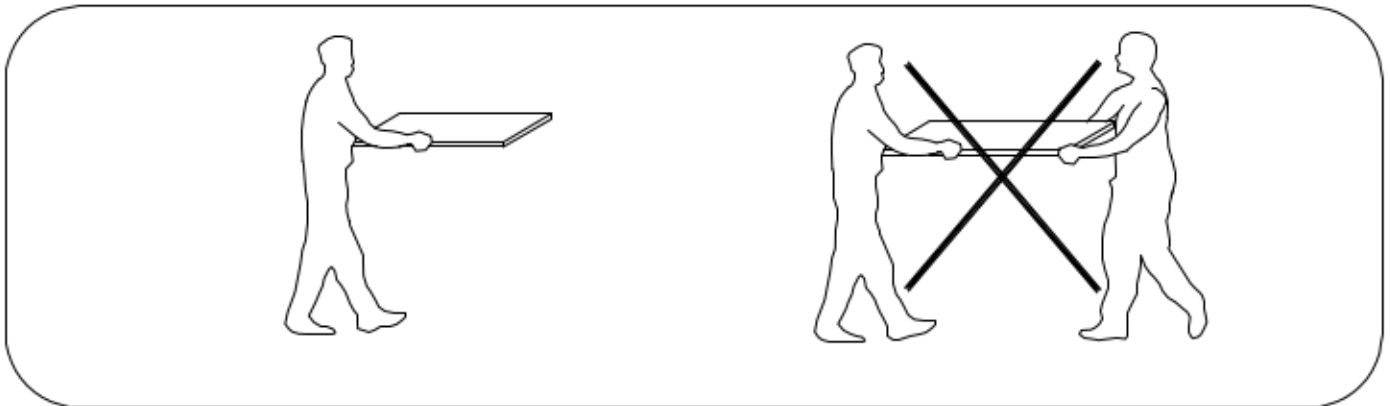
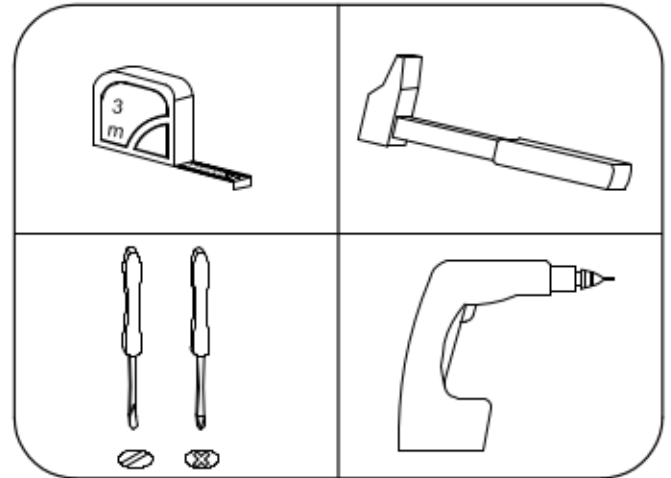
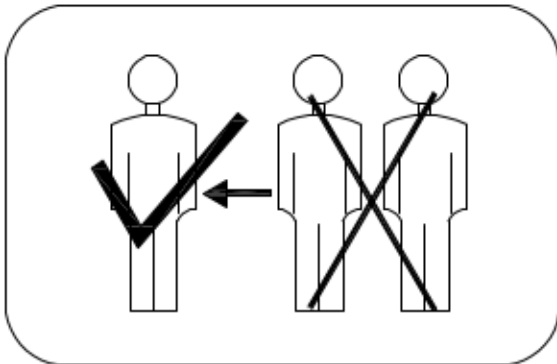
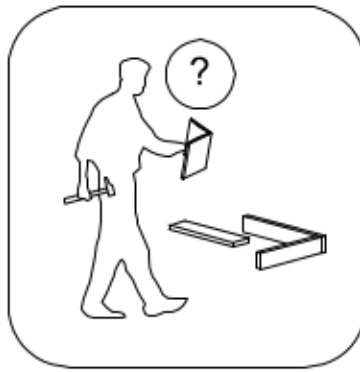
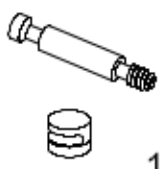


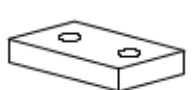


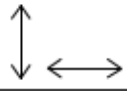


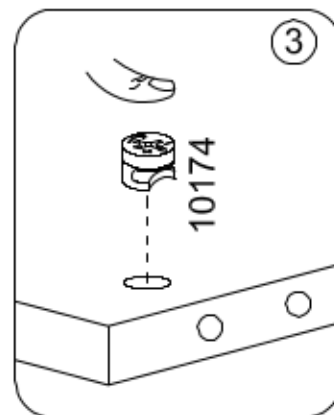
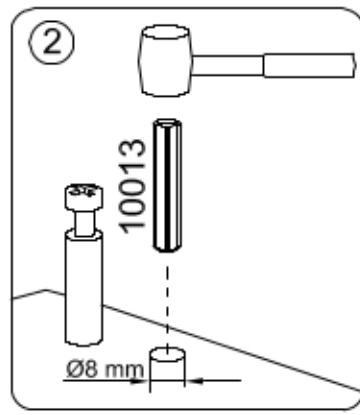
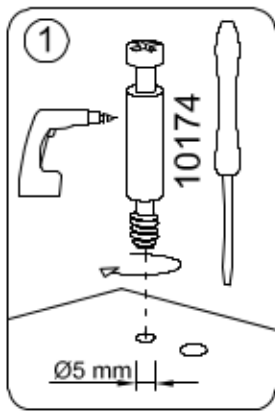
60 min.



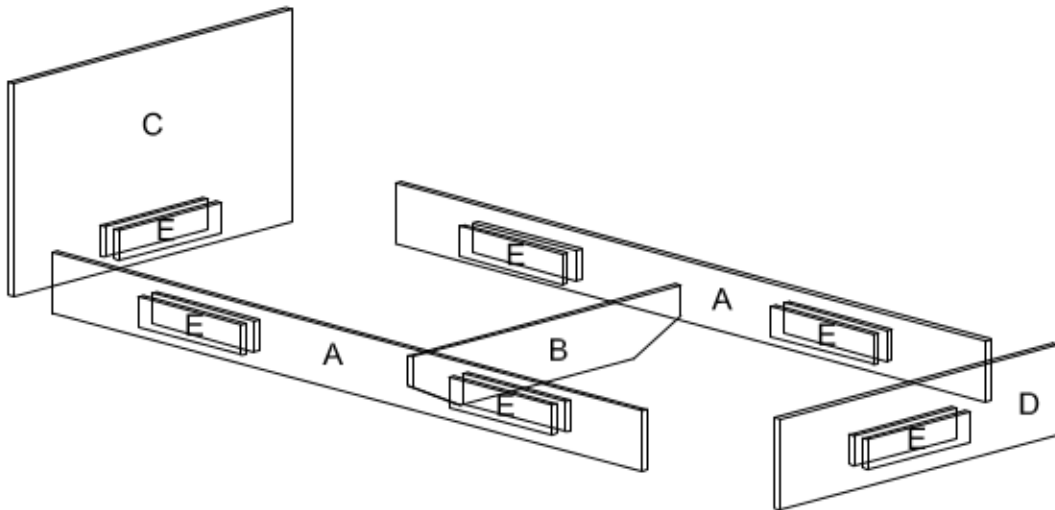


10x  10174	12x  Φ 8/30 10013	10x  50317	6x  50246
12x  Φ 3,5/20 10002	25x  Φ 3,5/30 10004		

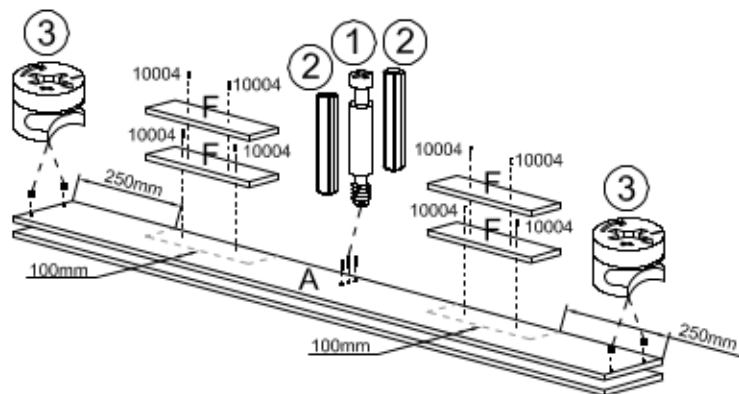
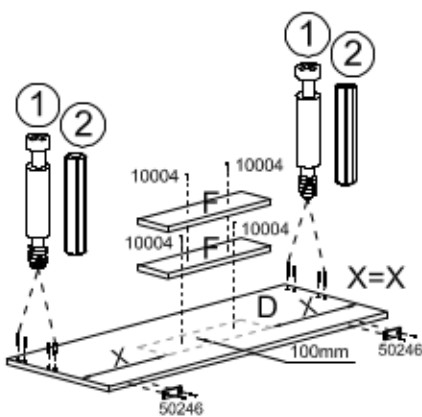
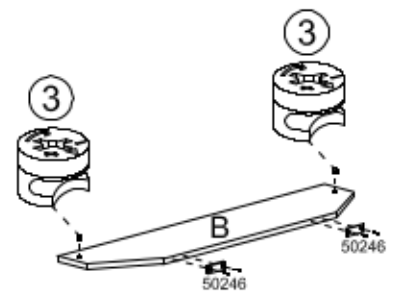
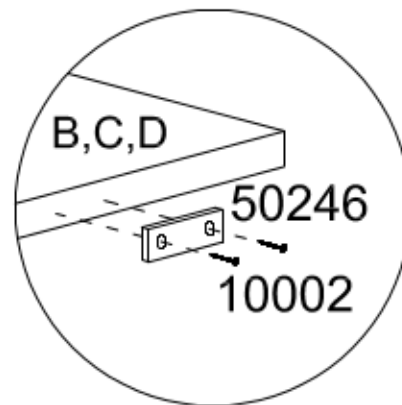
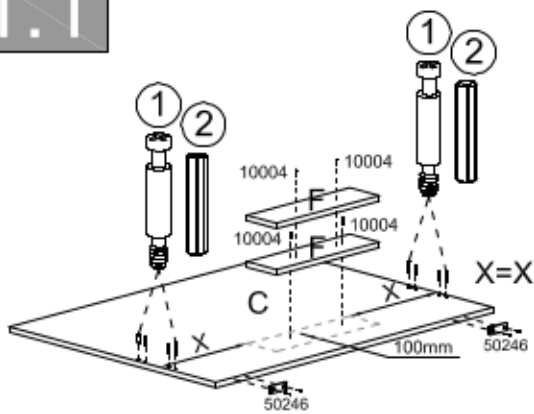
		Box number
A	2x 2010x200	1/2
B	910x200	1/2
C	942x700	2/2
D	942x350	2/2
E	12x350x100	1,2/2



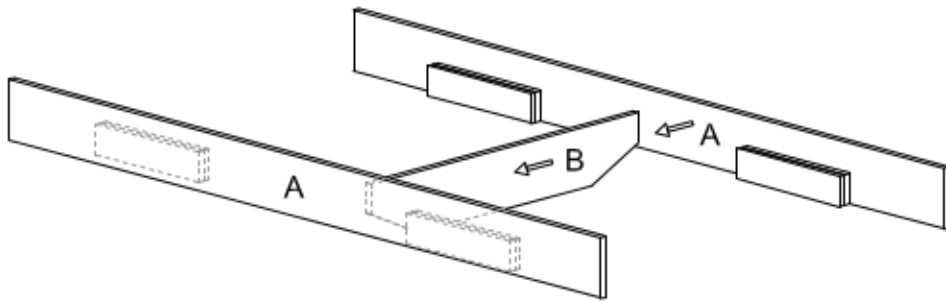
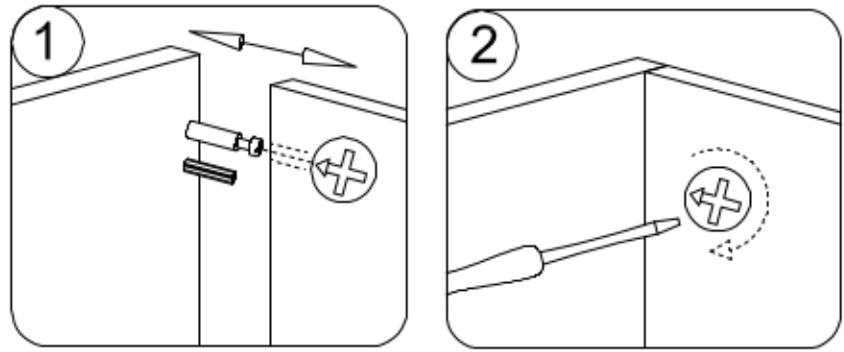
1



1.1



1.2



1.3

