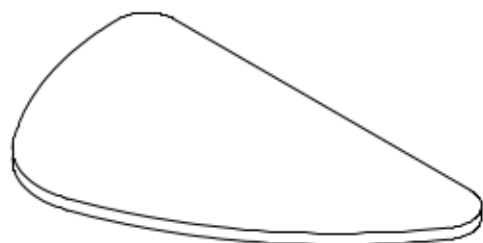
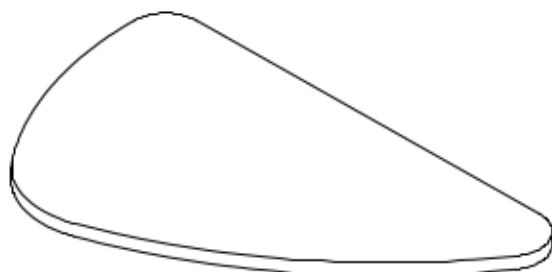


**A**

x 1

**B**

x 1

**C**

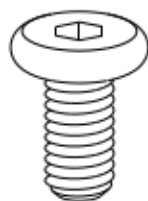
x 3

**D**

x 3

**E**

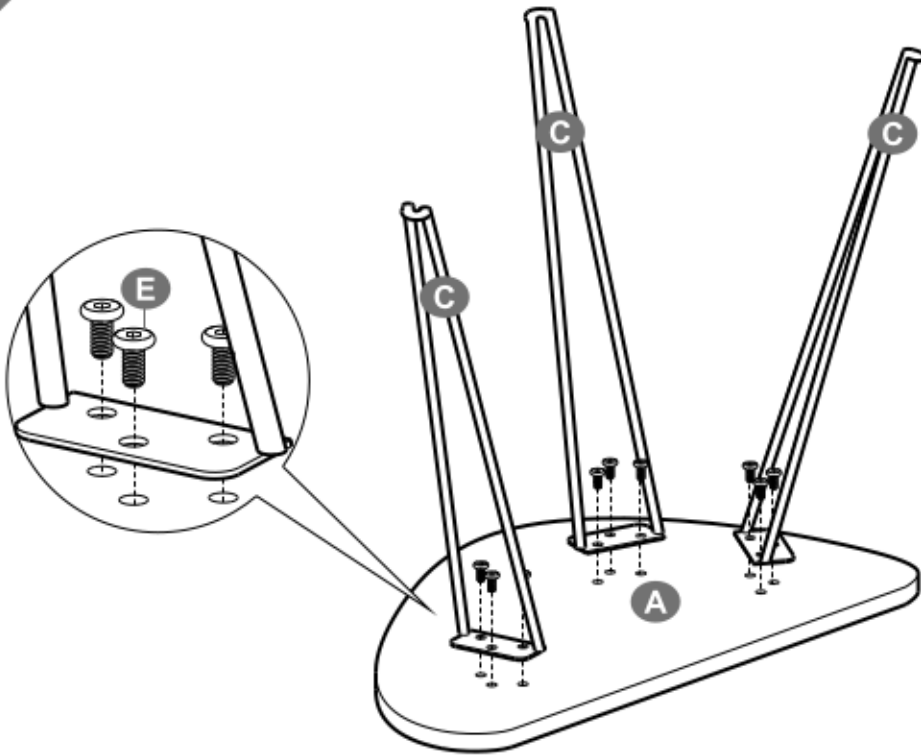
18+1

**F**

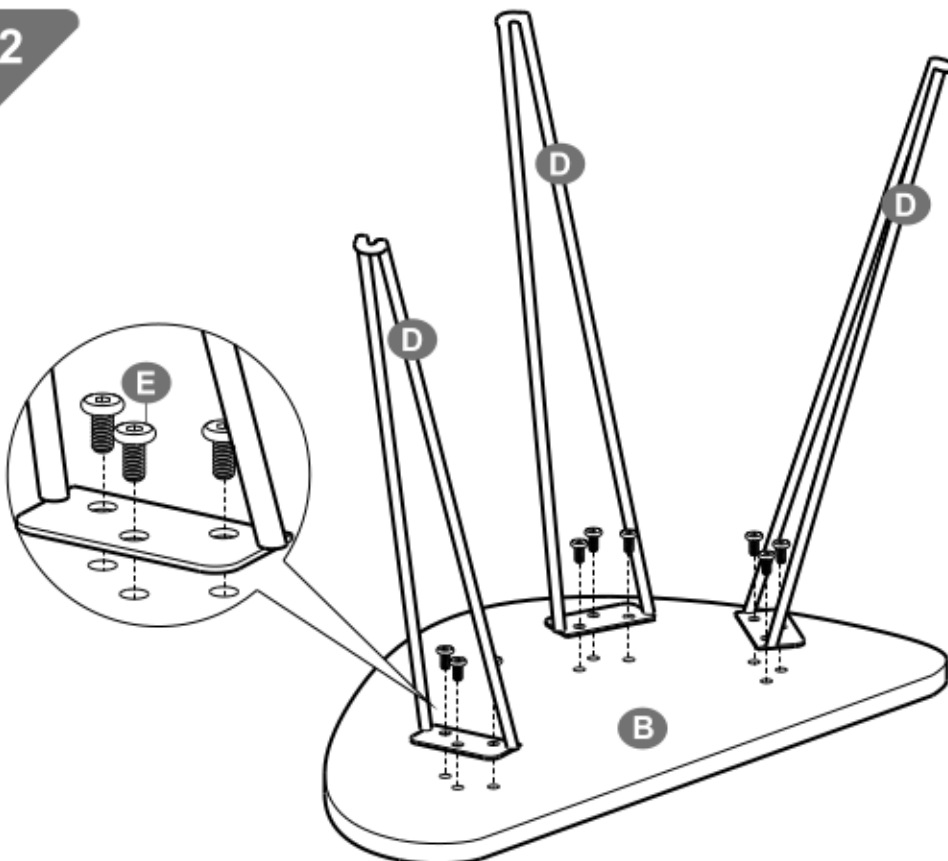
x 1



1



2



---

3

