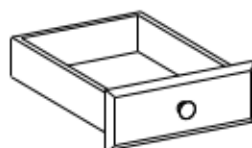


**H**

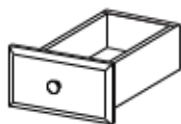
× 1

**I1**

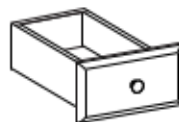
× 1

**I2**

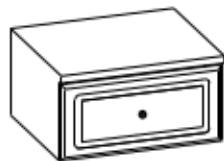
× 1

**I3**

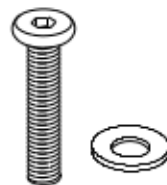
× 1

**J**

× 2

**M640**

× 16



M6 × 40mm

M620

× 2



M6 × 20mm

M450

× 2



M4 × 50mm

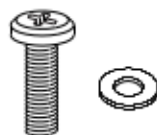
P

× 1



M520

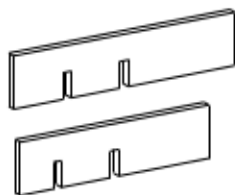
× 2



M5 × 20mm

Q

× 1

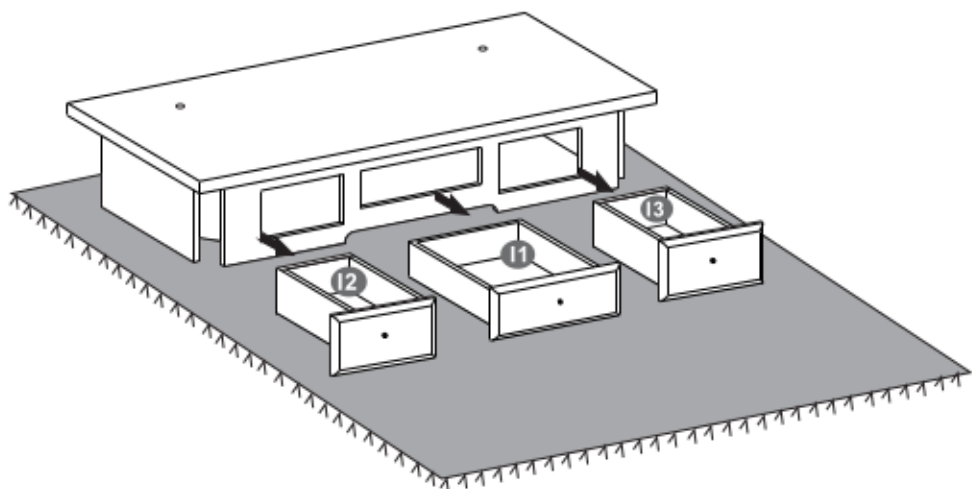
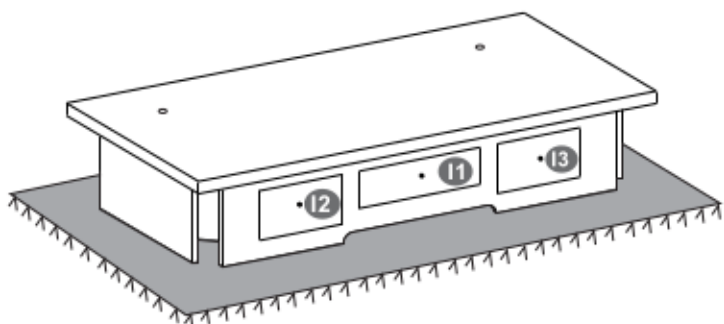


L

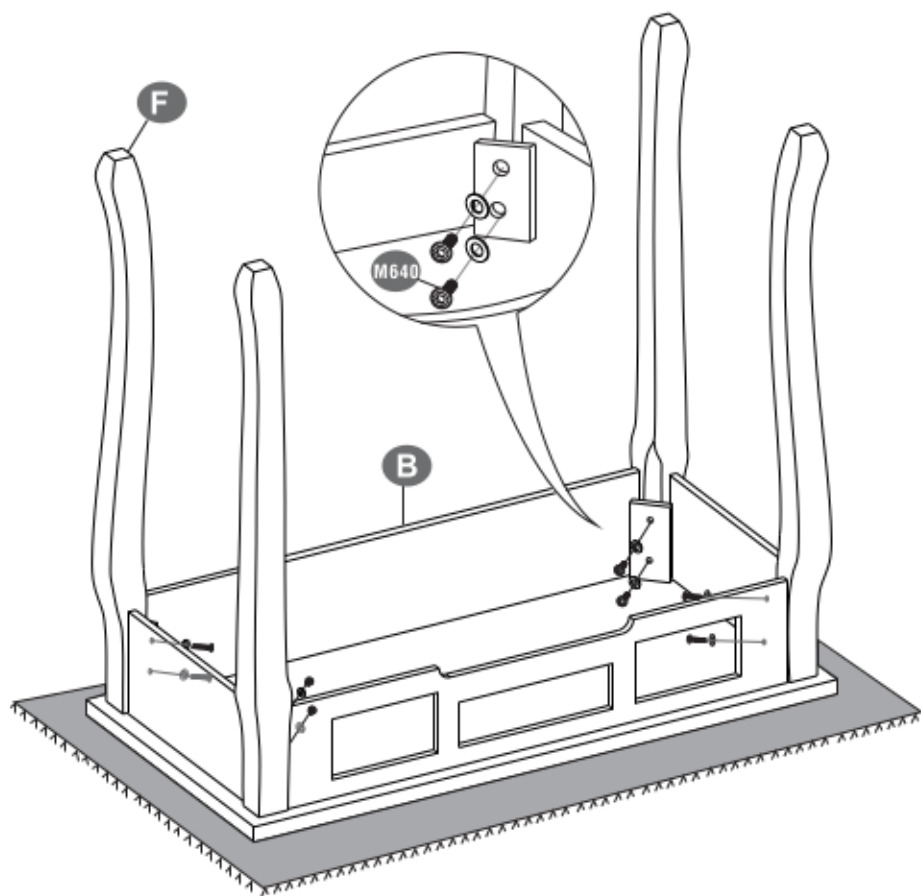
× 1



1

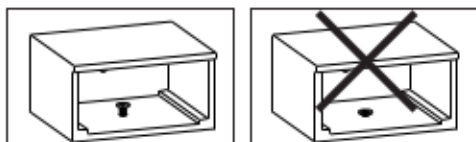


2

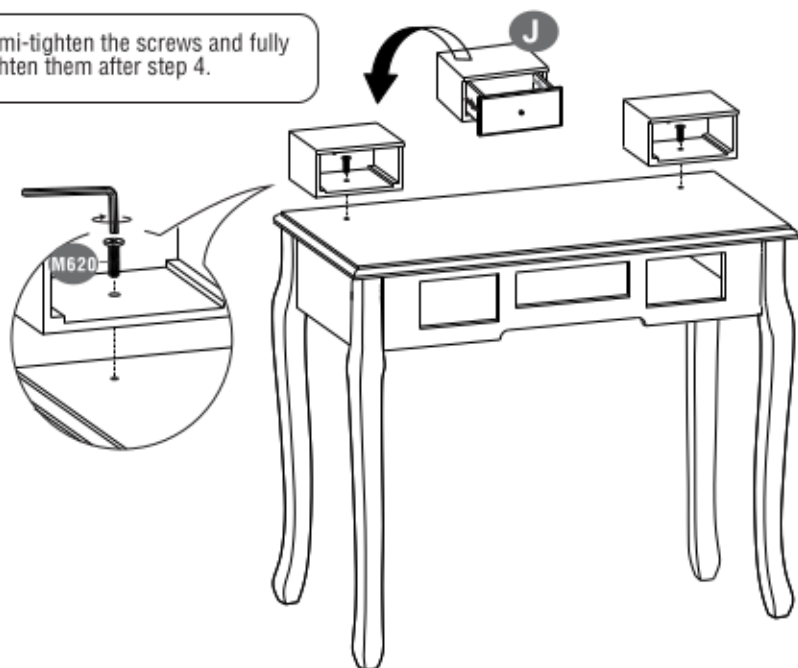


M640   8PCS

3



Semi-tighten the screws and fully tighten them after step 4.

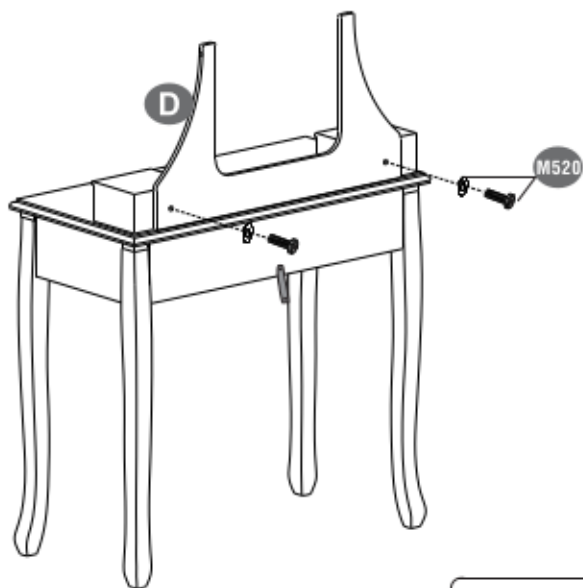


M620

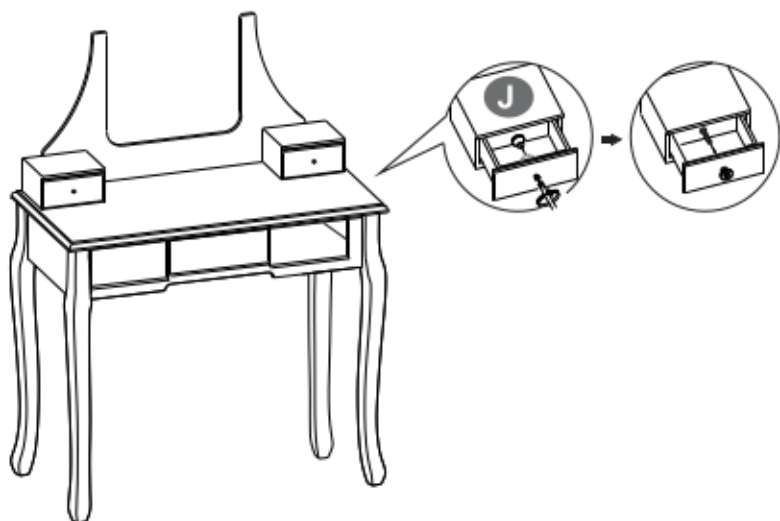


2PCS

4

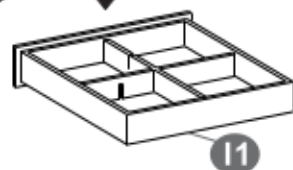
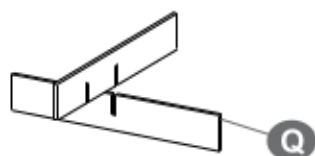
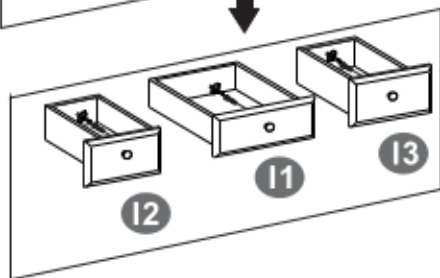
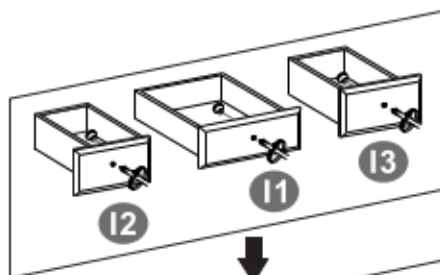
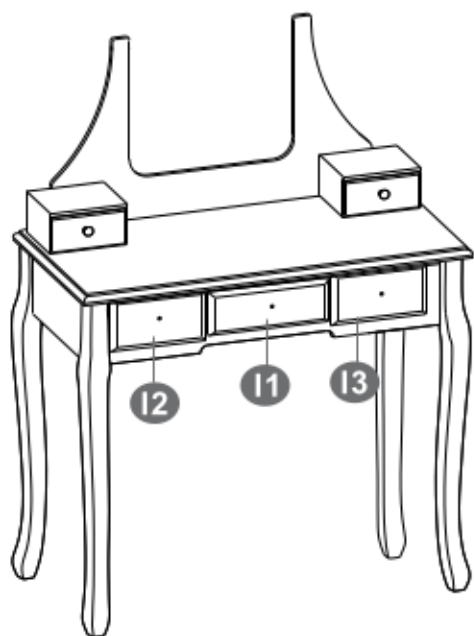
M520  2PCS

5

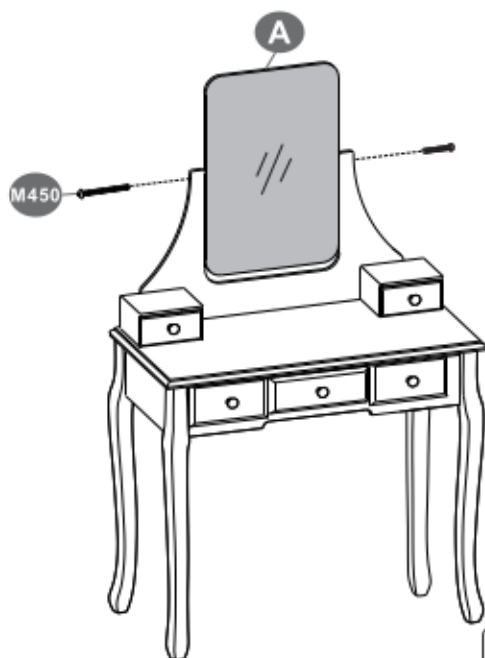




6

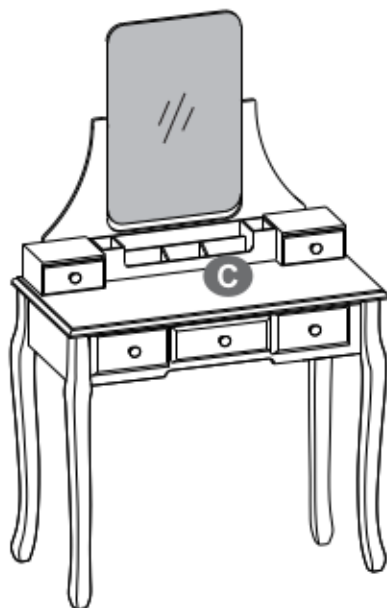


7

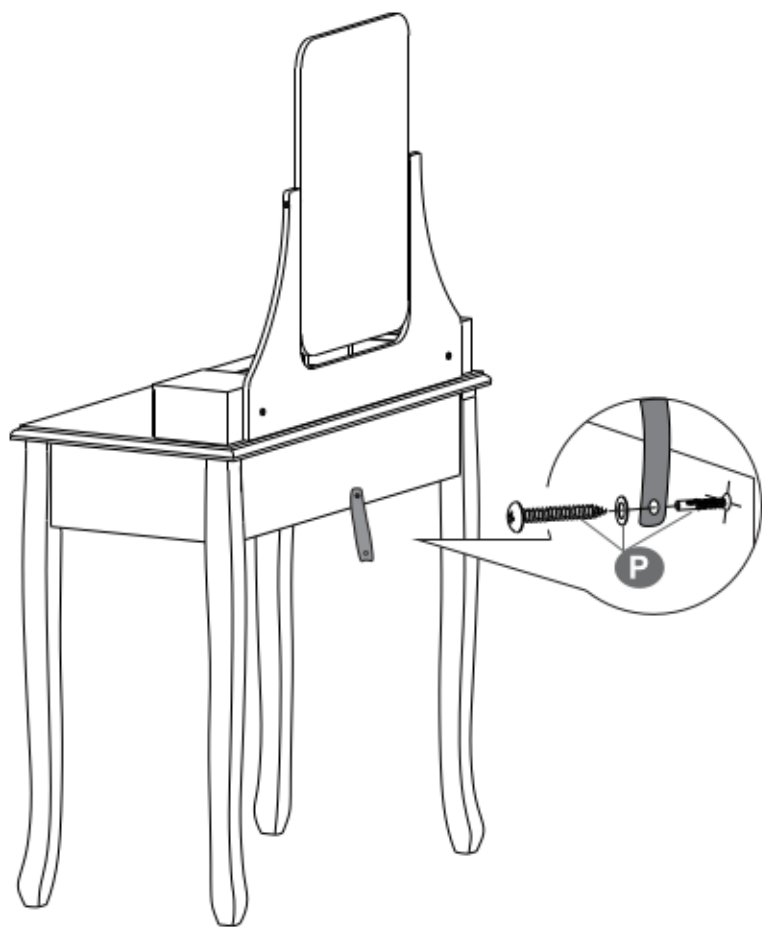


M450 2PCS

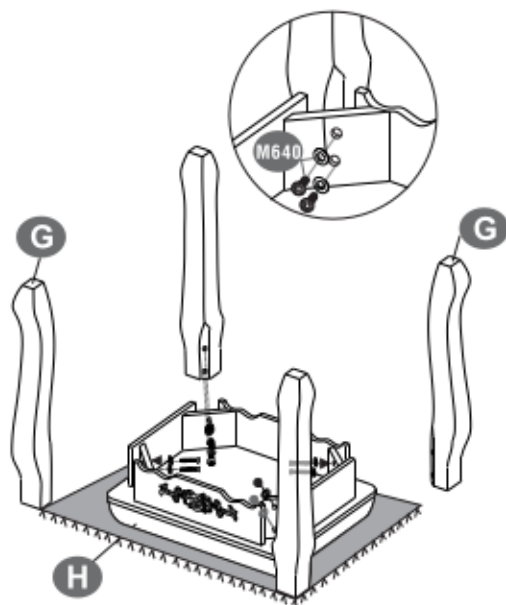
8



9



10



M640 8PCS

