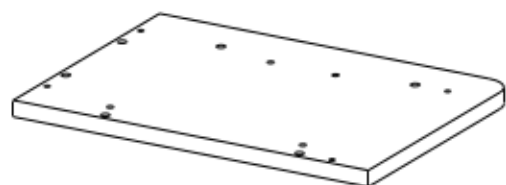


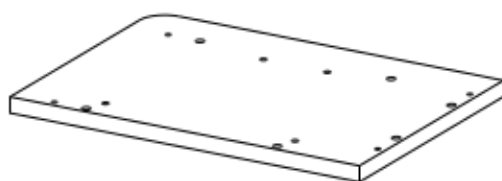
A1

x 1



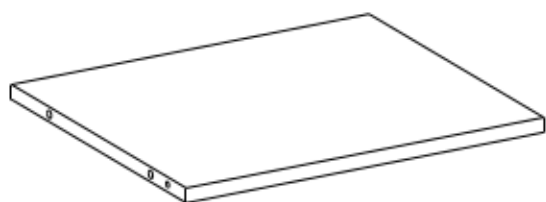
A2

x 1



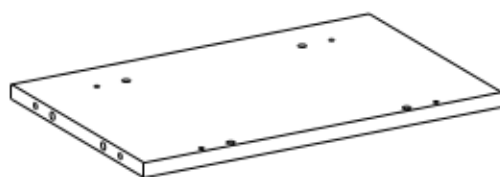
B

x 2



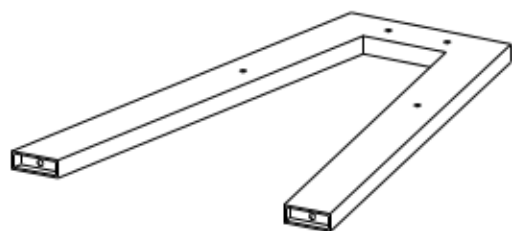
C

x 1

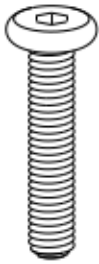


D

x 2



**E**



**× 8**

**F**



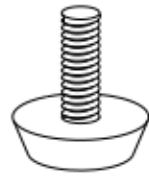
**12+1**

**G**



**16+1**

**H**



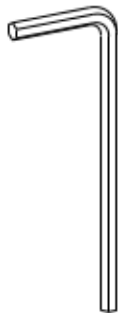
**× 4**

**I**

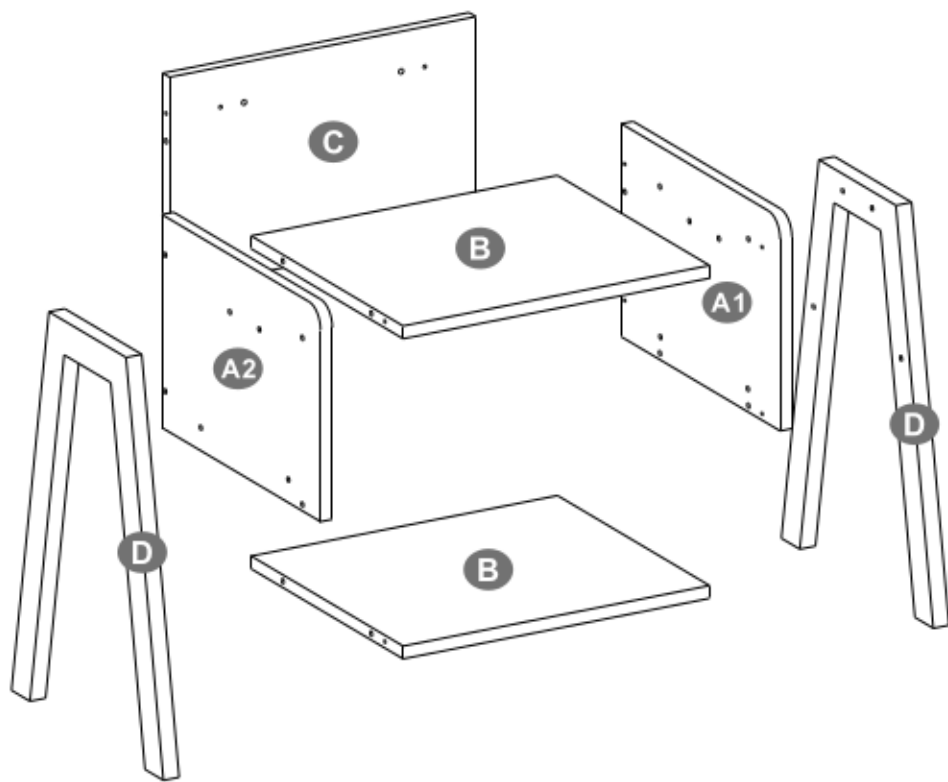


**× 1**

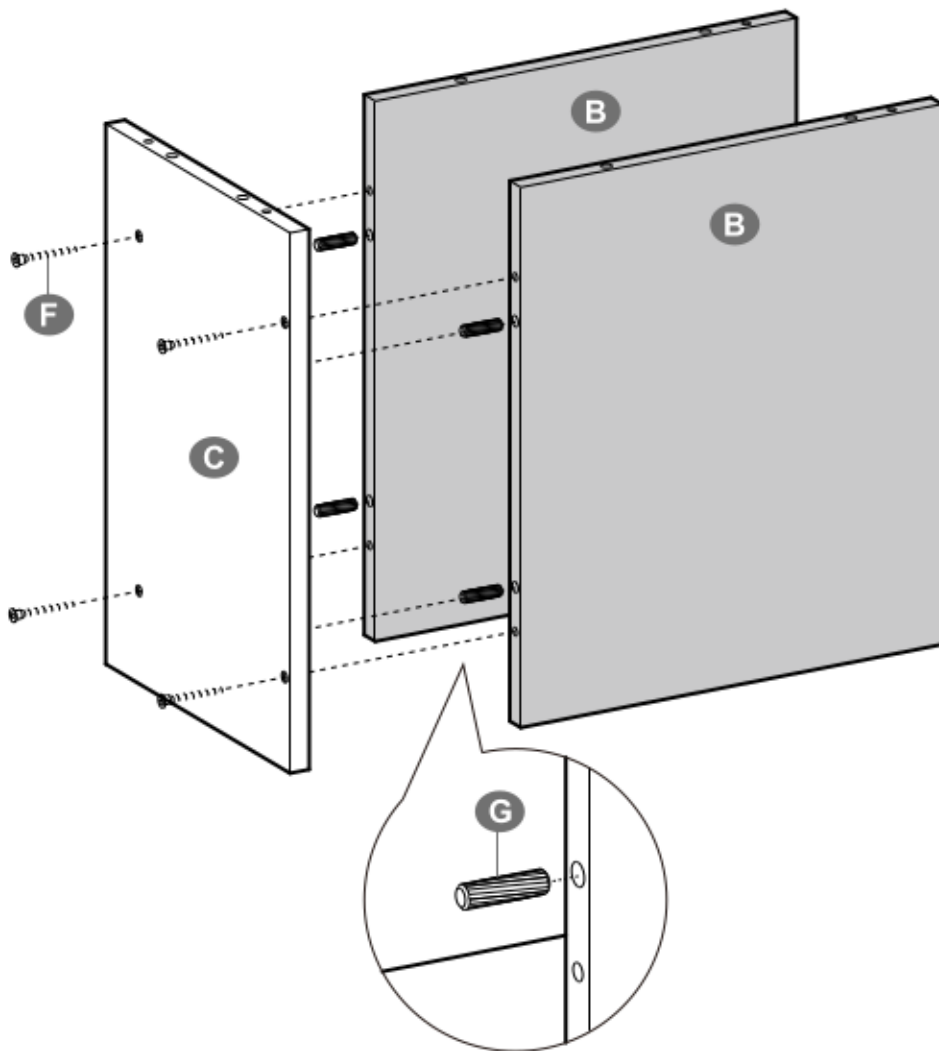
**J**





**× 1**

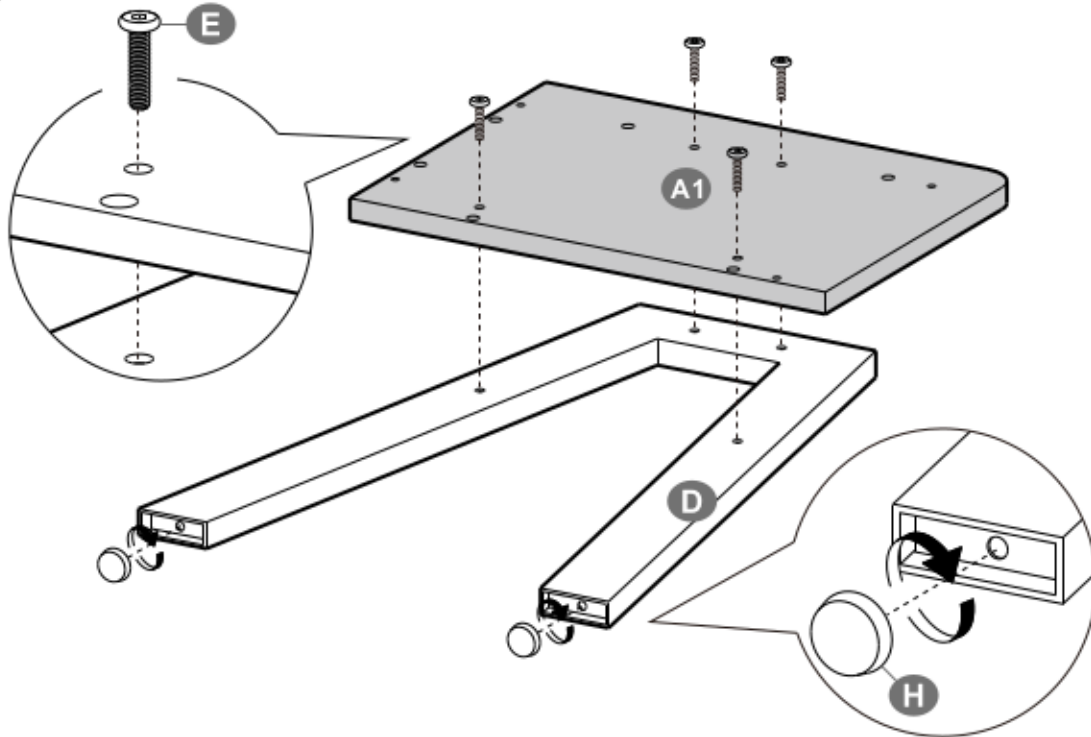


1



<b>F</b>		× 4
<b>G</b>		× 4

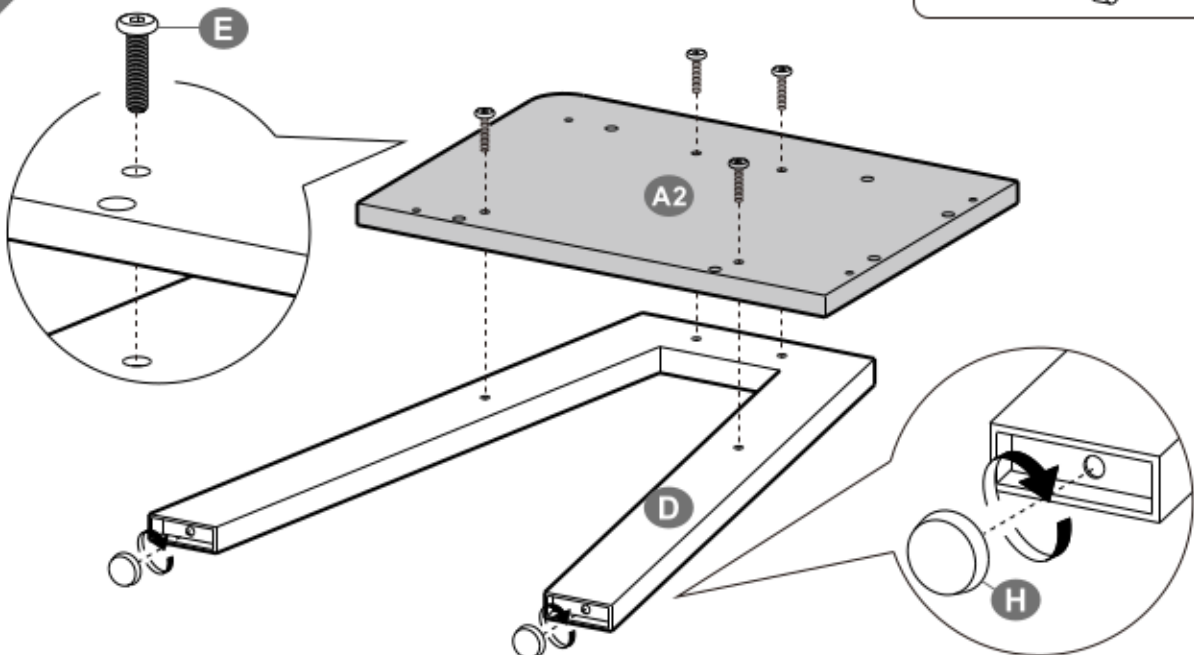
2



<b>E</b>		× 4
----------	---	-----

<b>H</b>		× 2
----------	---	-----

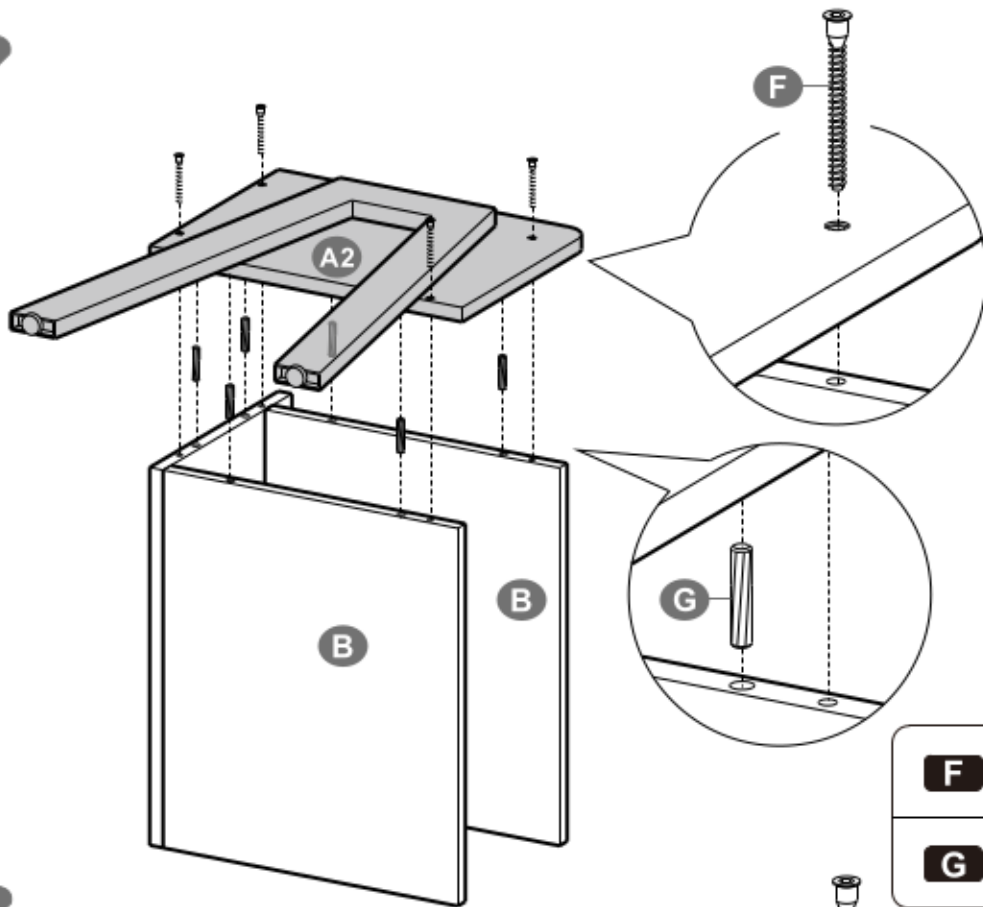
3



<b>E</b>		× 4
----------	---	-----

<b>H</b>		× 2
----------	---	-----

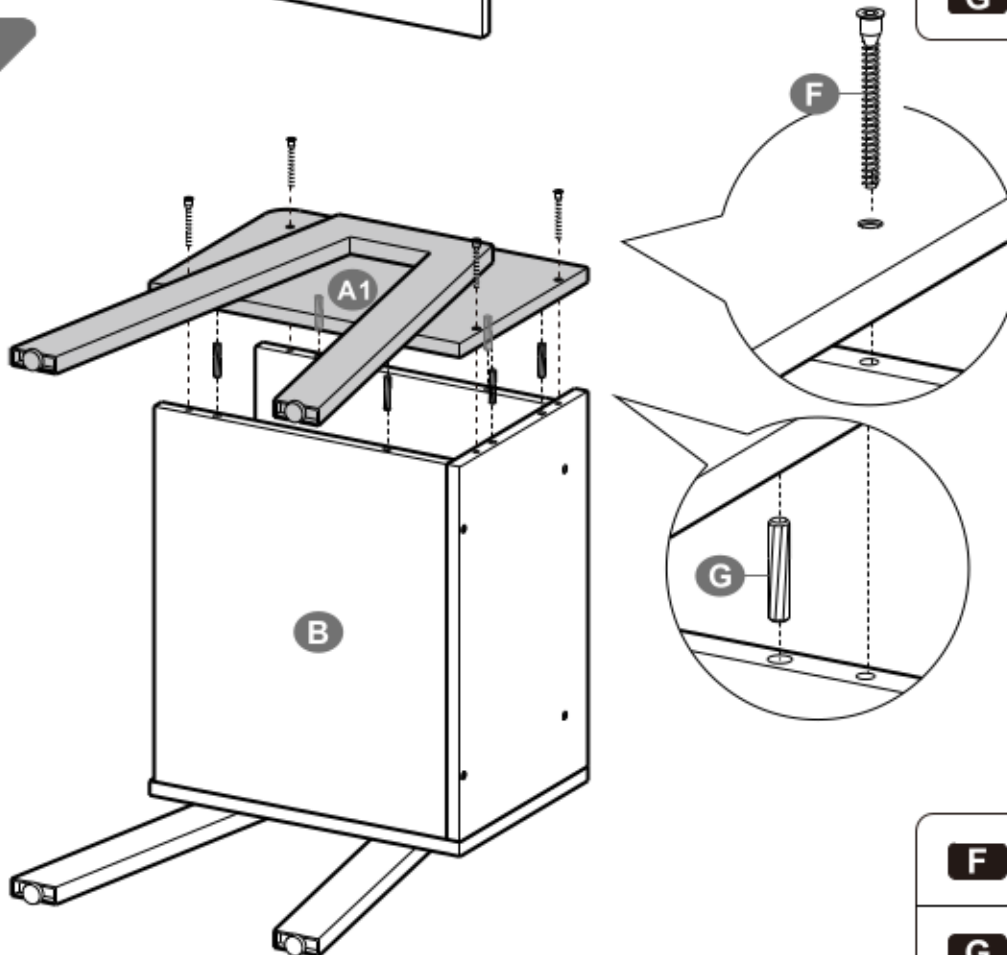
4



**F**  × 4

**G**  × 6

5



**F**  × 4

**G**  × 6

---

6

