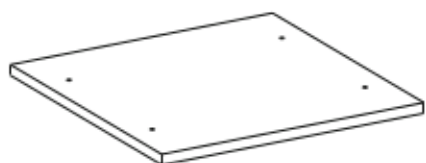


**A**

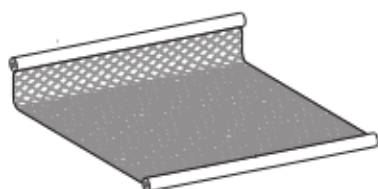
× 1

**B**

× 2

**C**

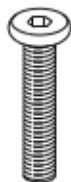
× 2

**D**

8+1

 $1/4" \times 25\text{mm}$ **E**

4+1

 $1/4" \times 40\text{mm}$ **F**

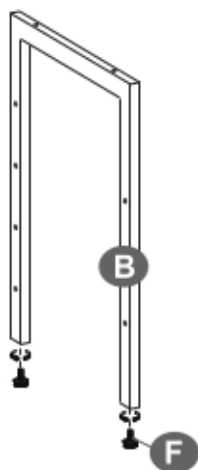
× 4

**G**

× 1



1



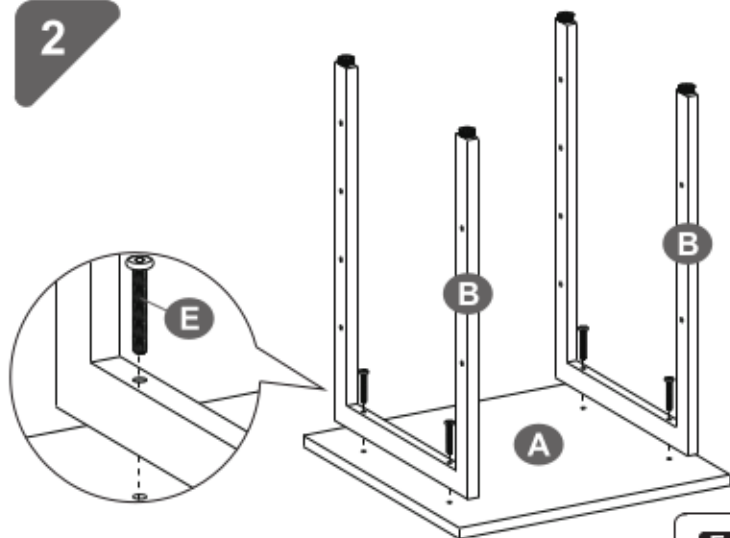
x2

F



2PCS

2

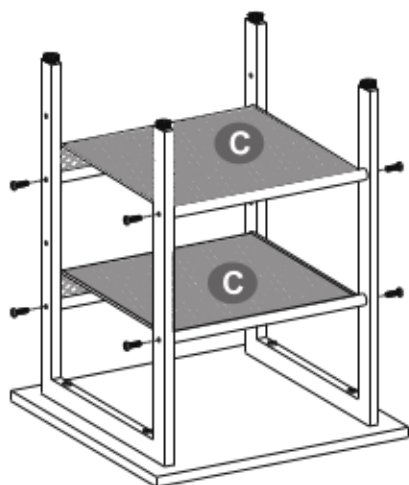
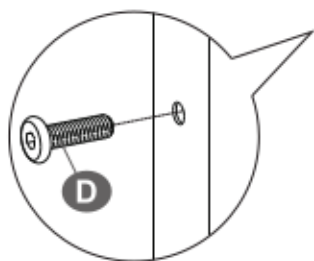


E

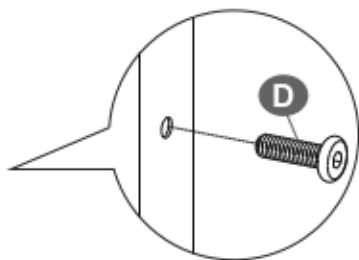
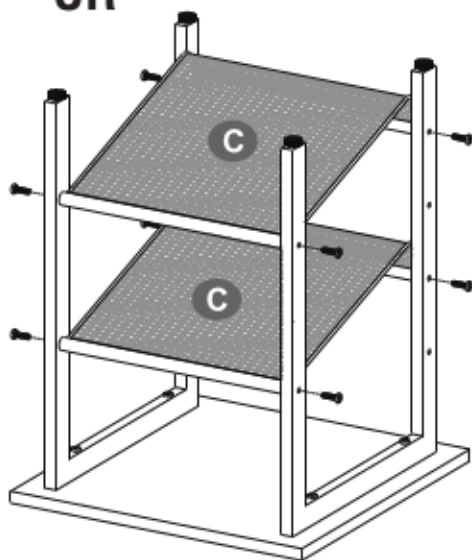


4PCS

3

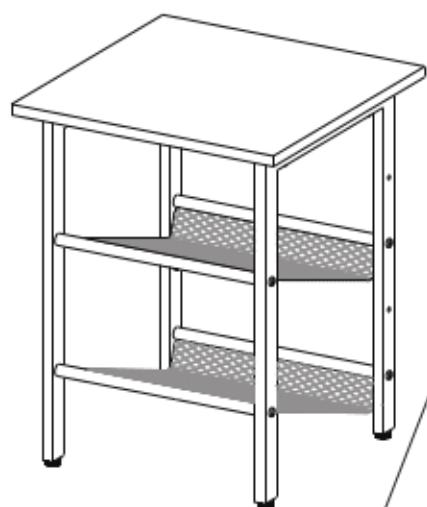


OR



**D**  8PCS

4



OR

