

A

× 2



B

× 5



C

× 12



D



48+1

E



48+1

F



× 2

G

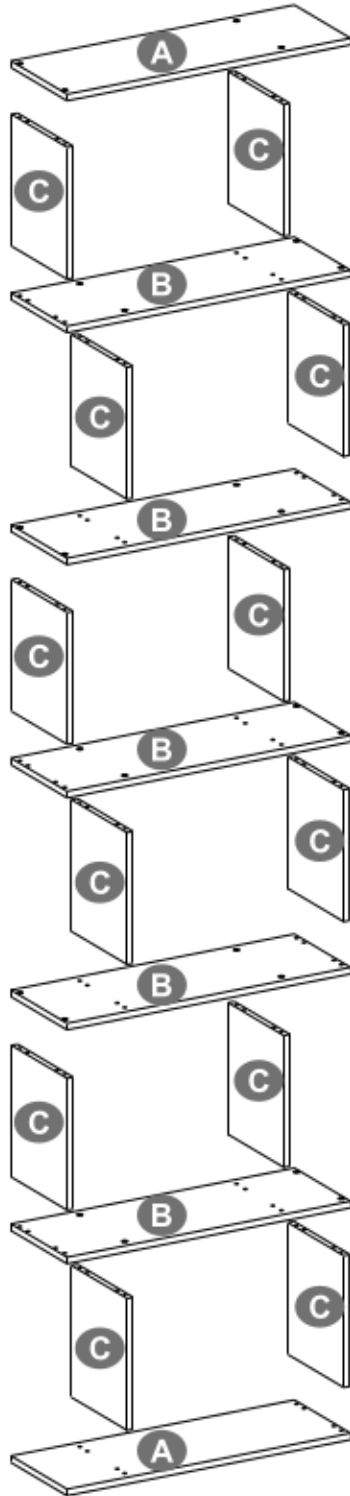


24+1

H



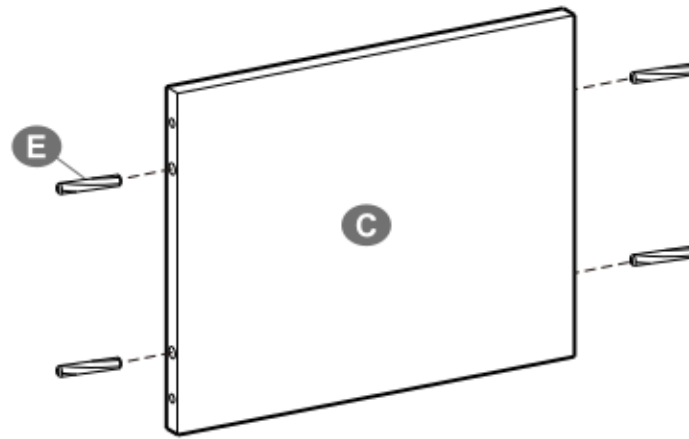
4+1



Tools Required:



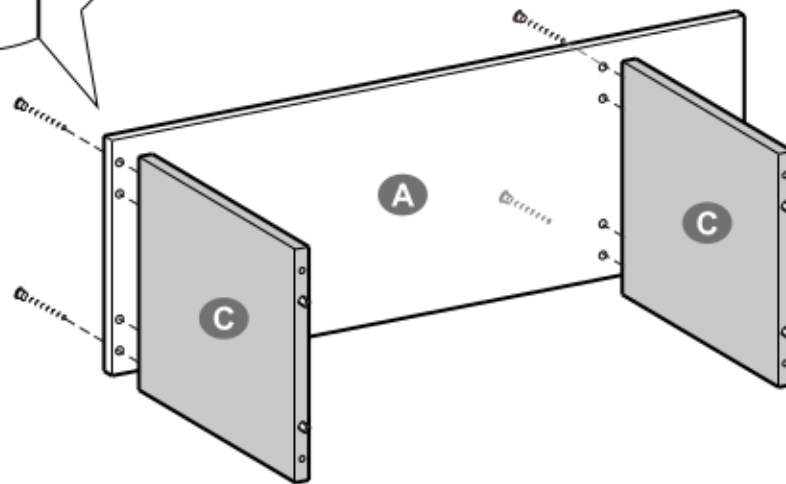
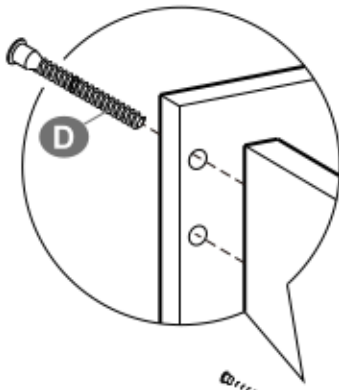
1



× 12

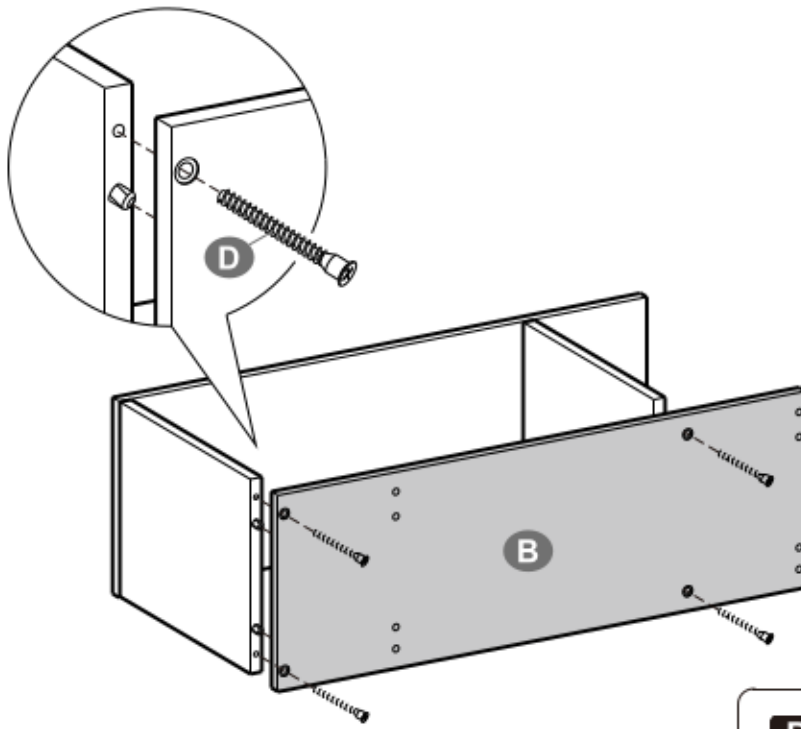
E  × 4

2



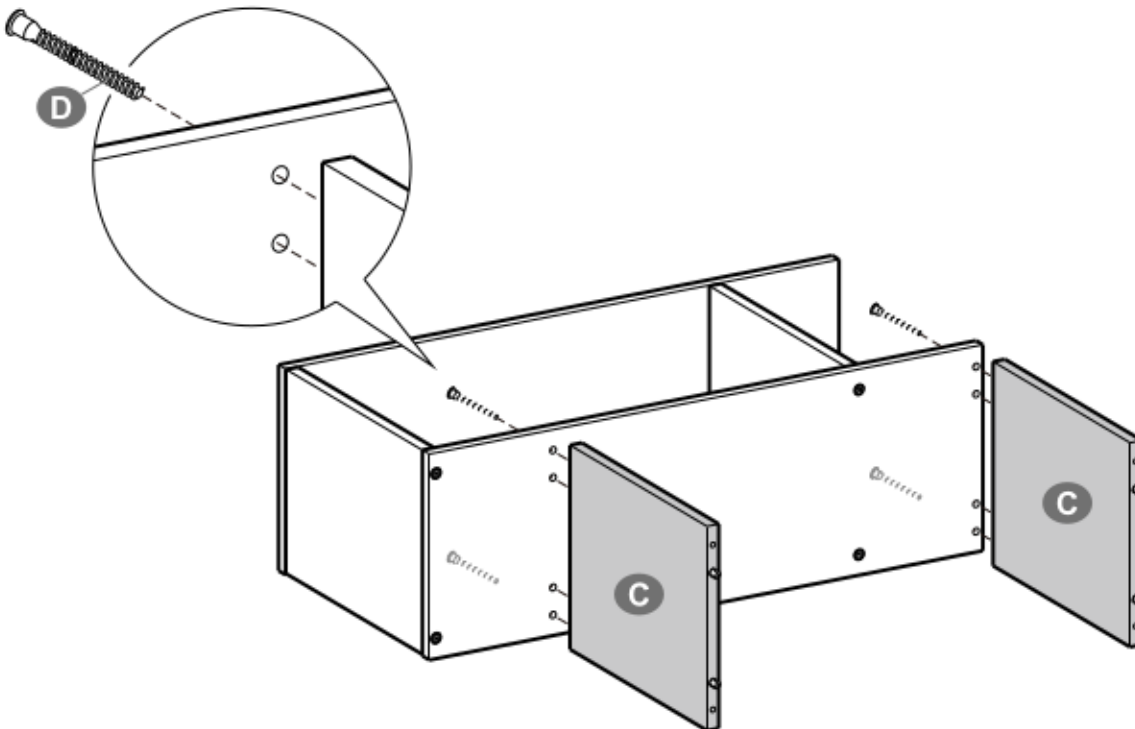
D  × 4

3



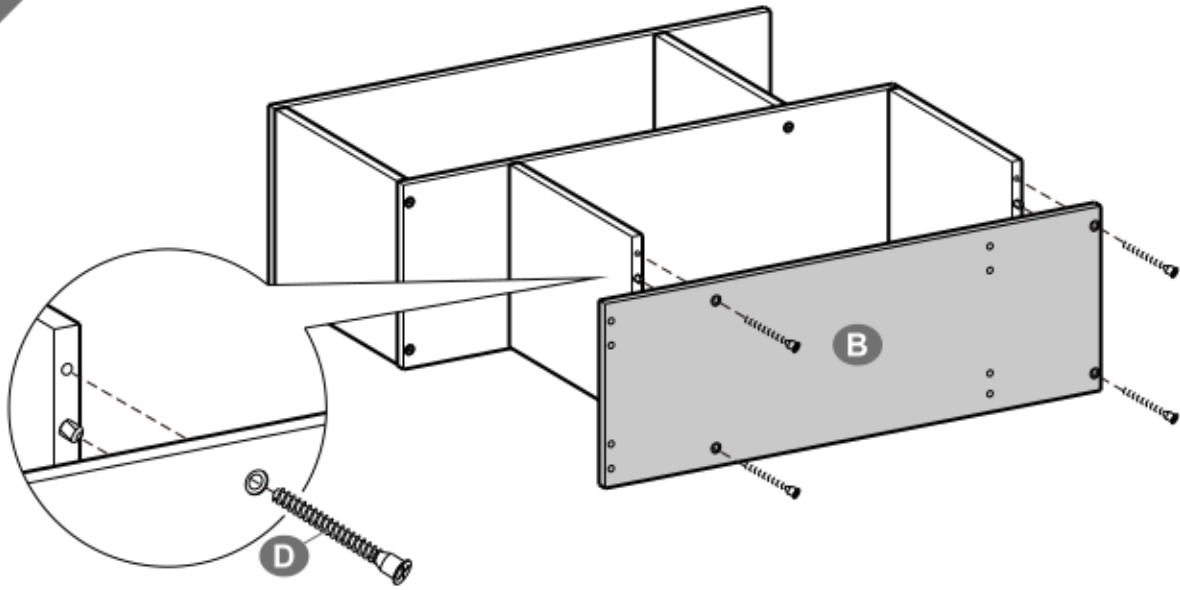
D  × 4

4



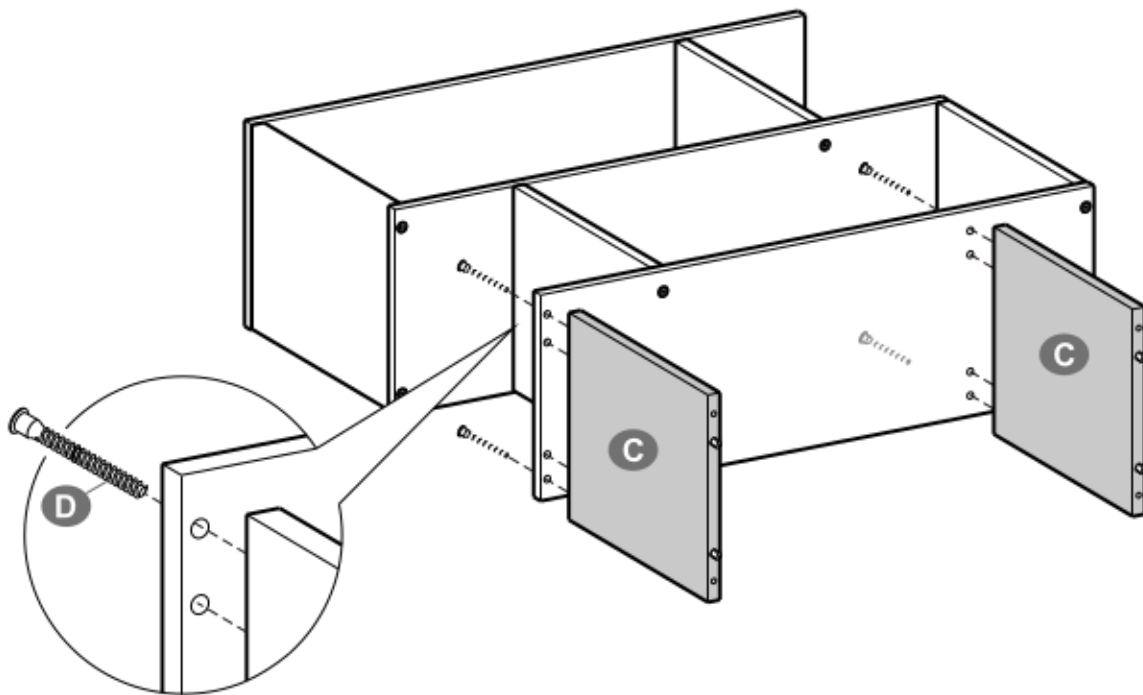
D  × 4

5



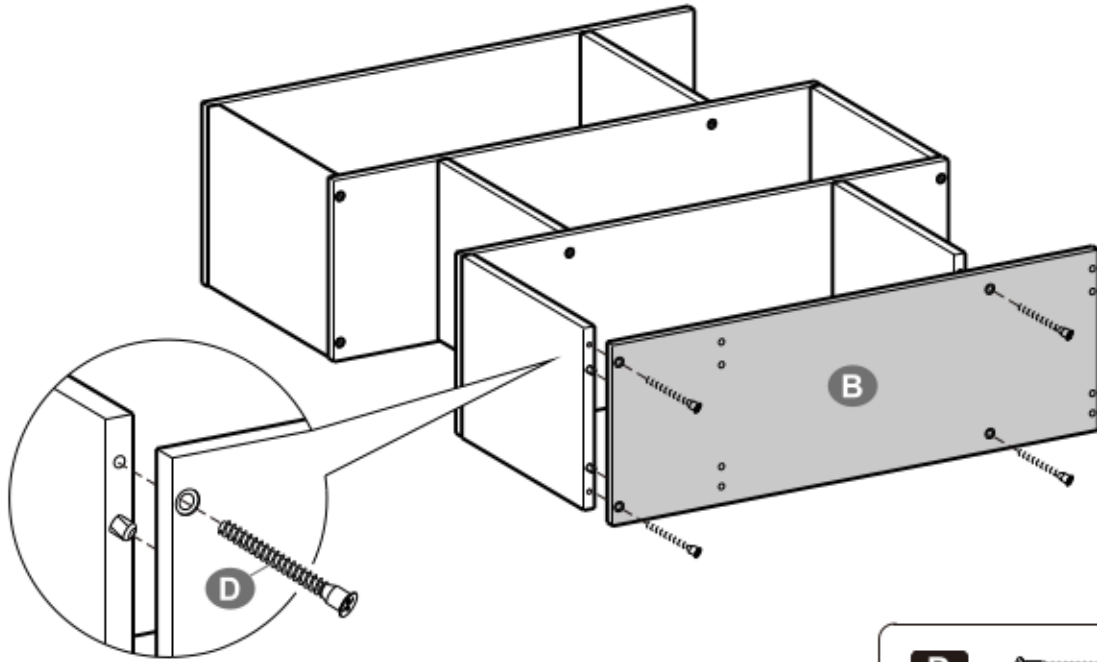
D  × 4

6



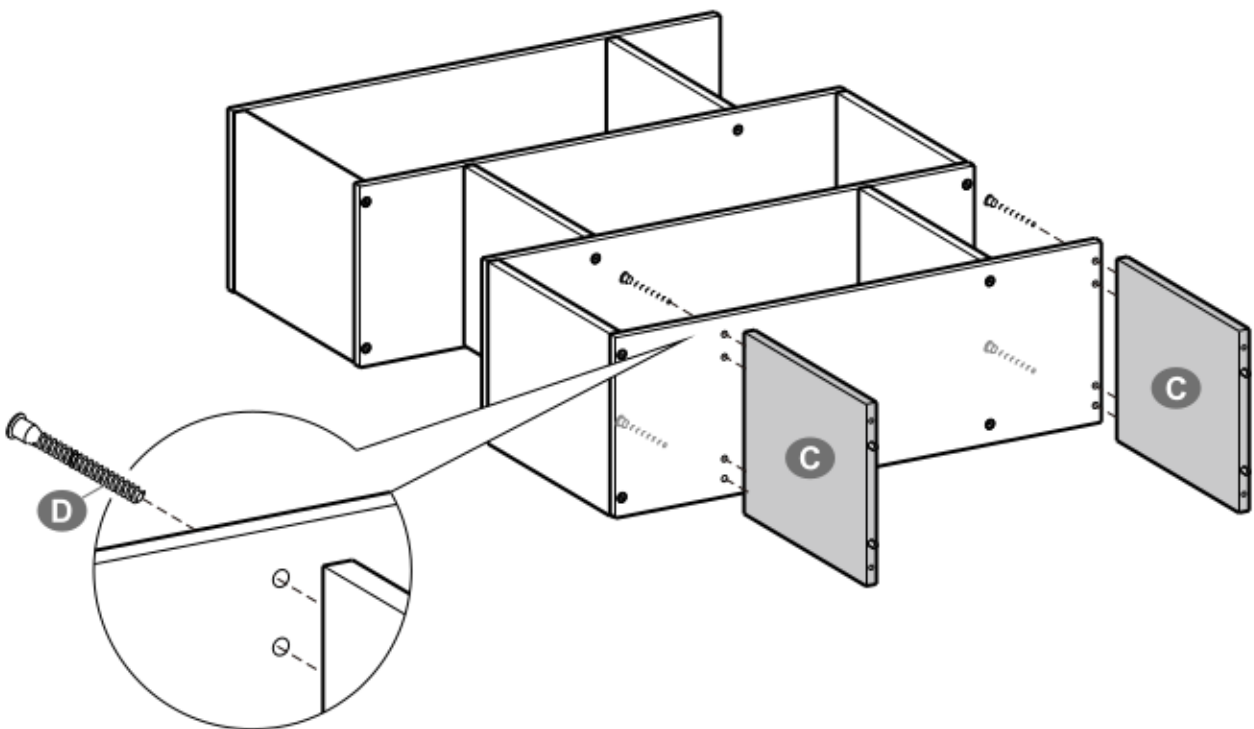
D  × 4

7



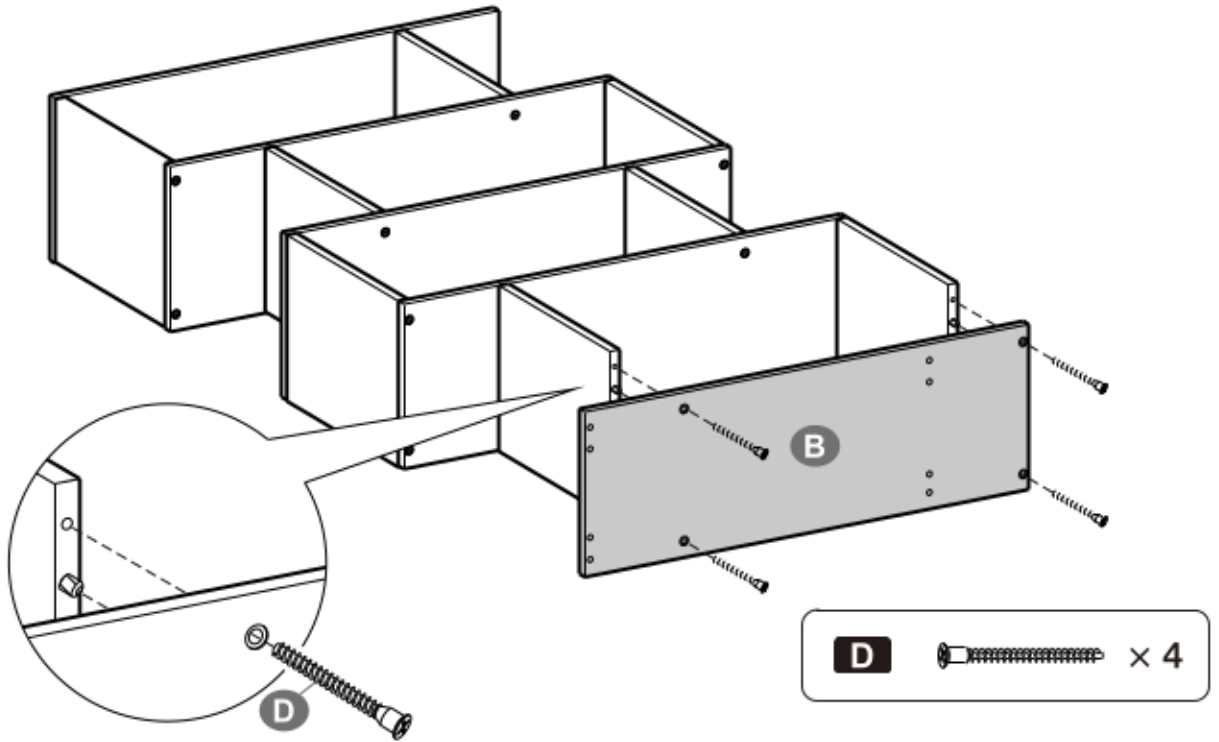
D  × 4

8

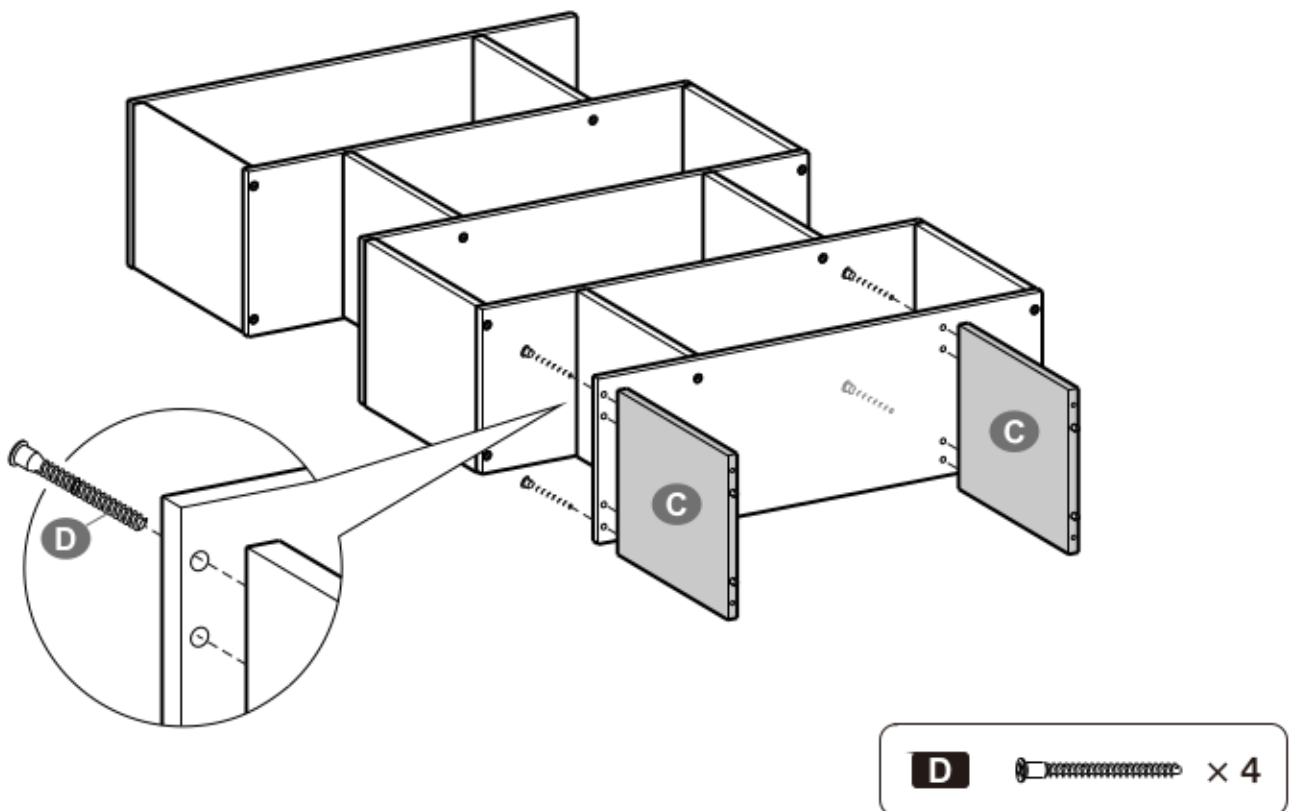


D  × 4

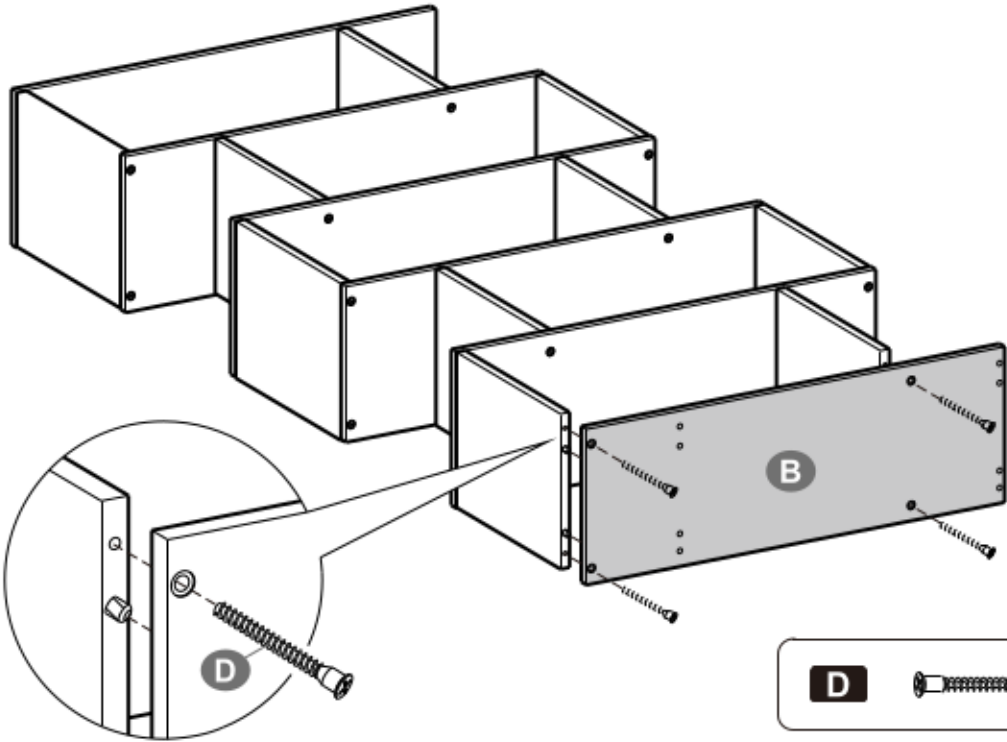
9



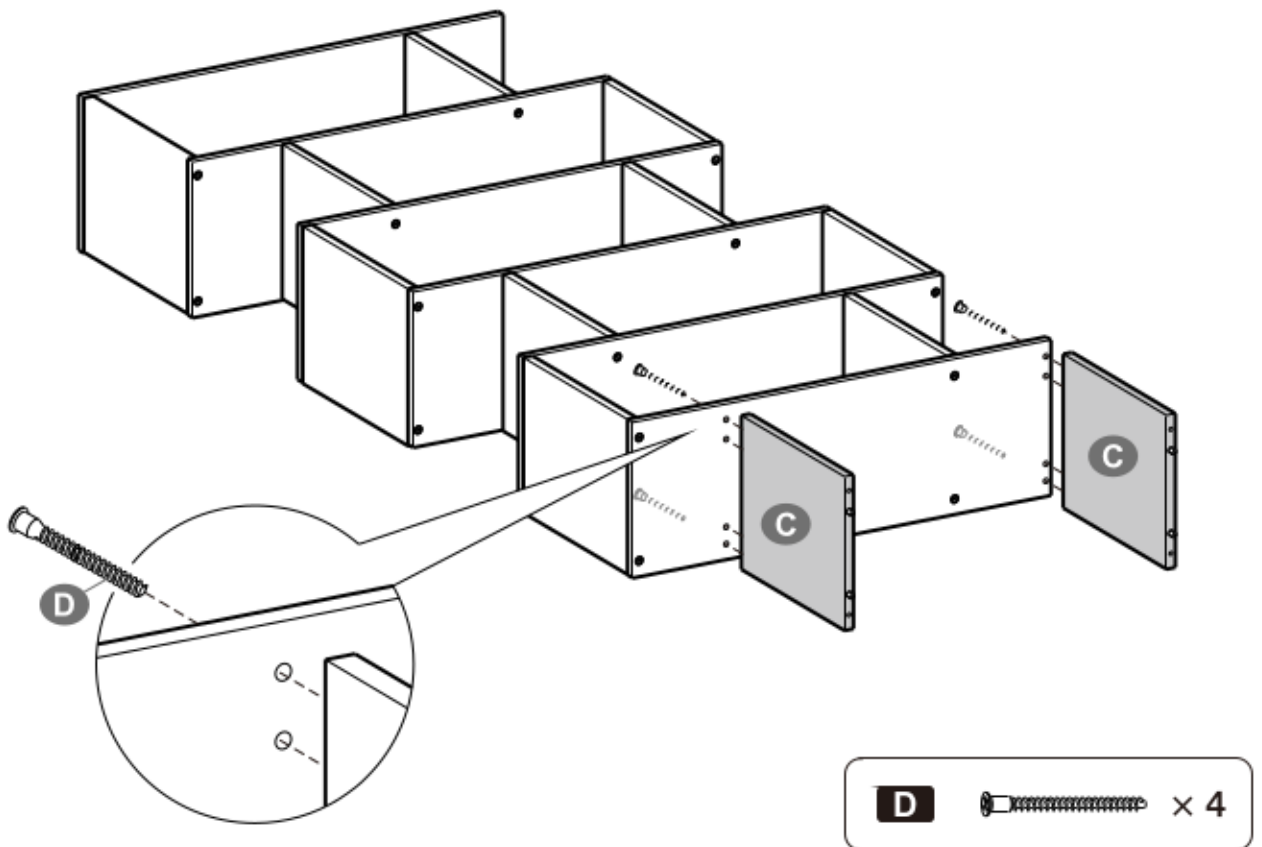
10



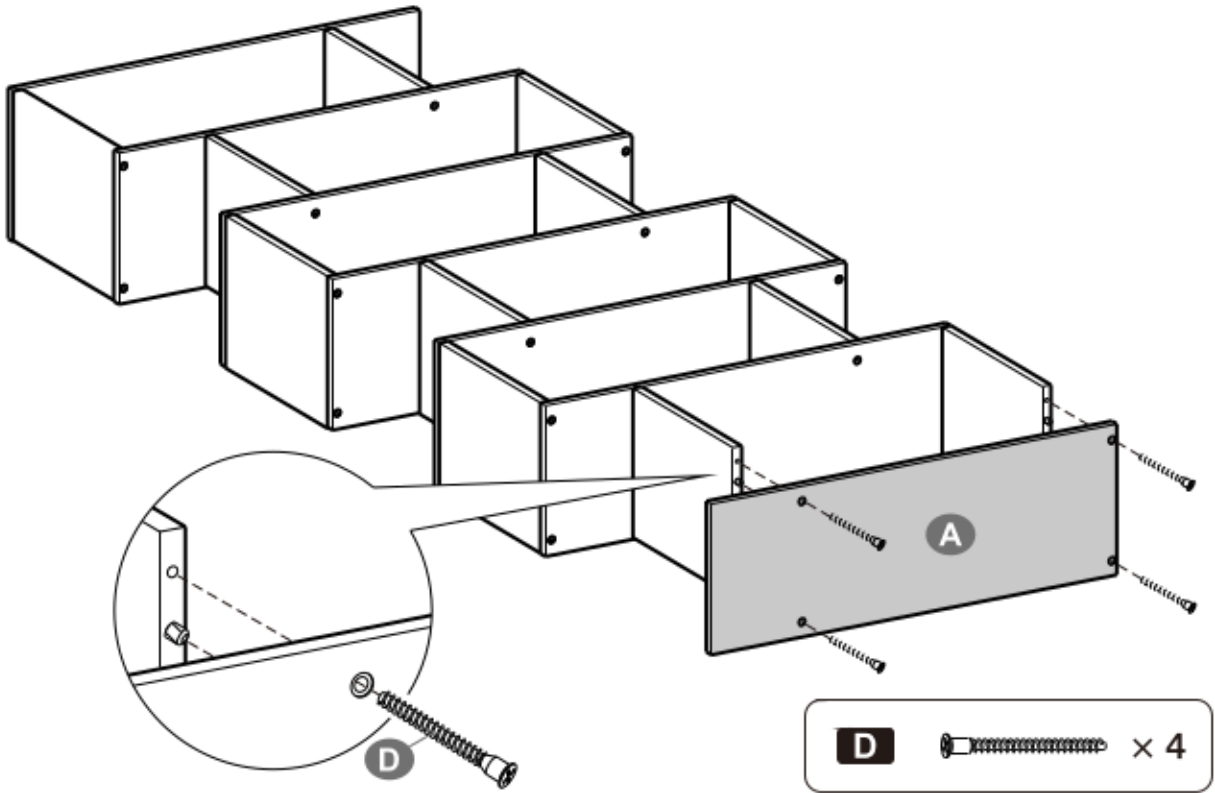
11



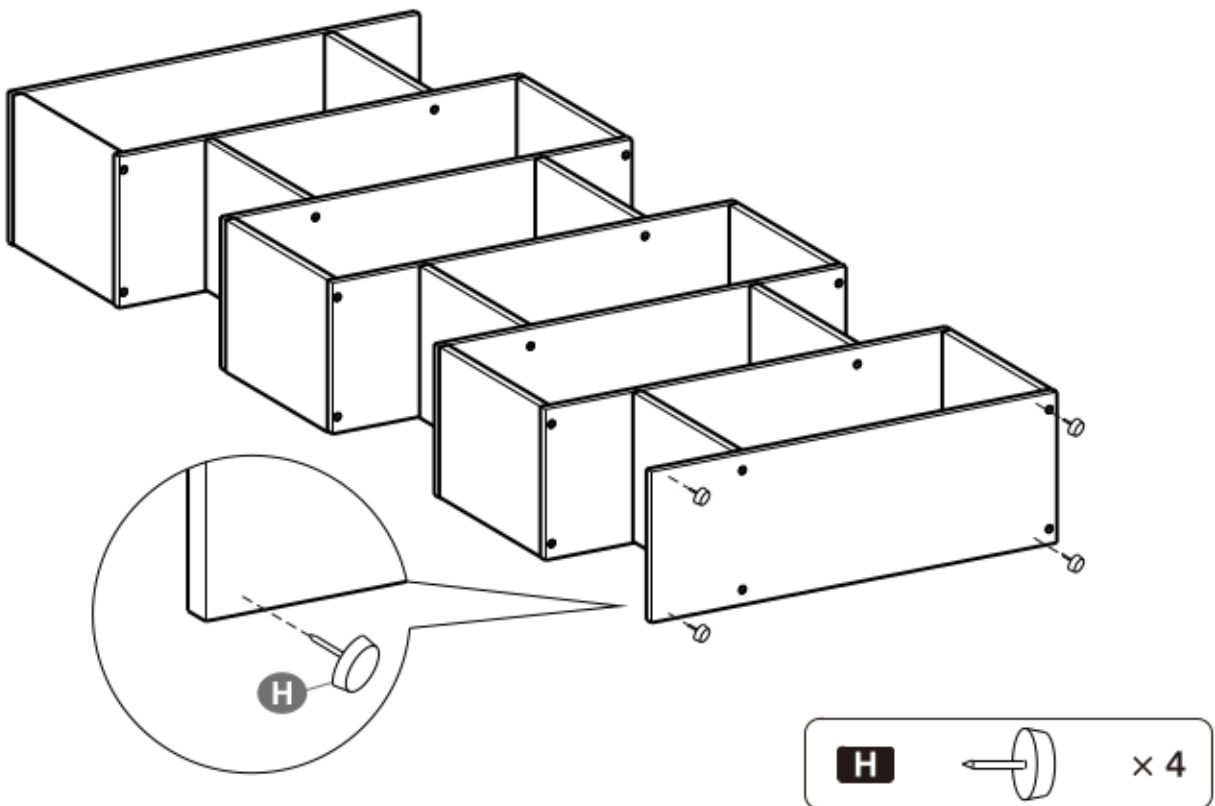
12



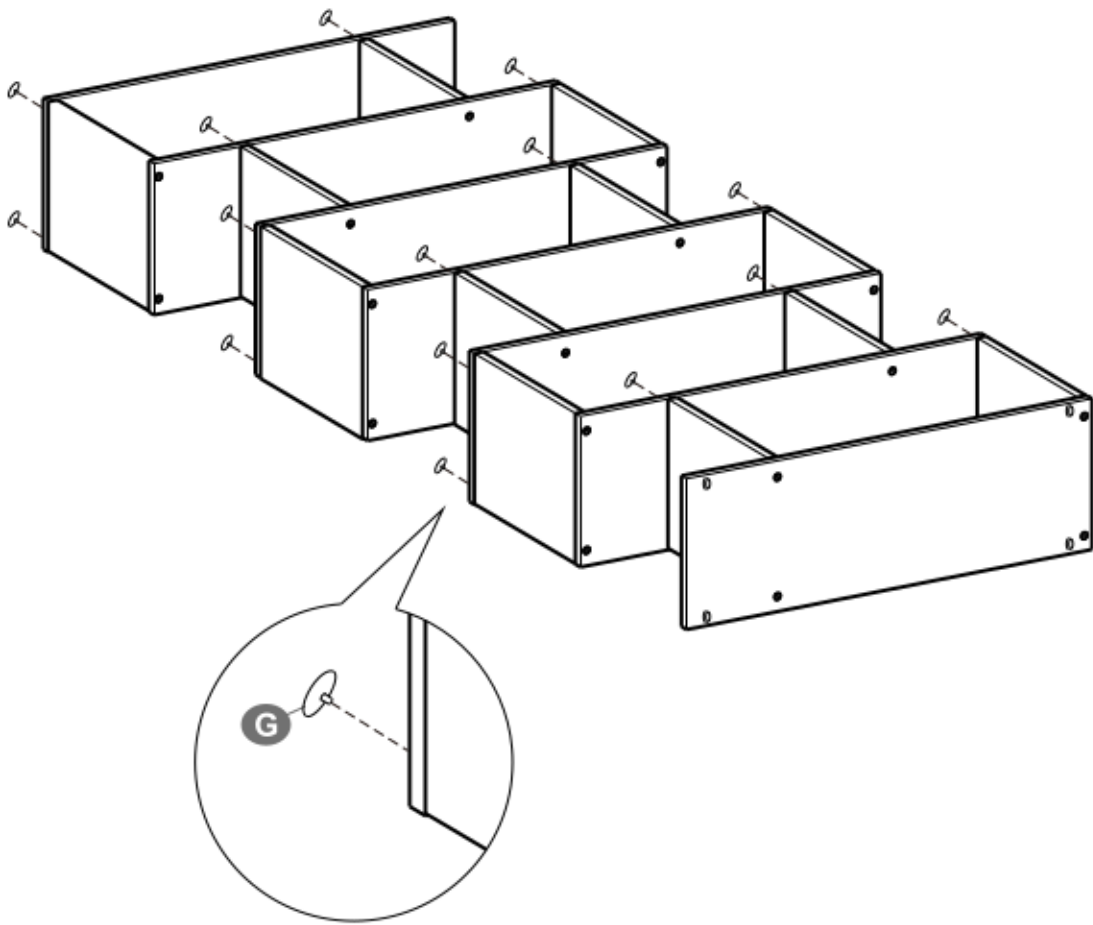
13



14



15



16

