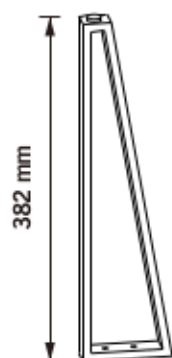


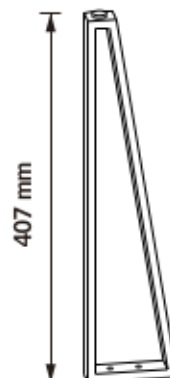
A1

× 3



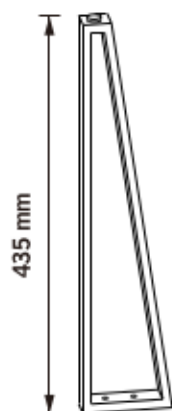
A2

× 3



A3

× 3



B1

× 1



368×15 mm

B2

× 1



468×15 mm

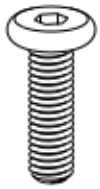
B3

× 1



585×15 mm

C



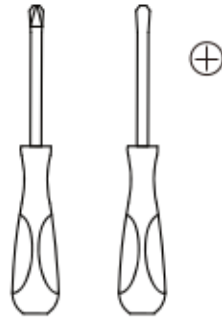
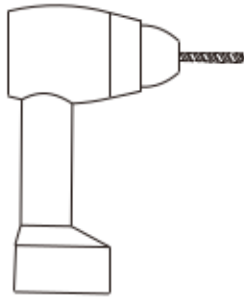
× 18

D

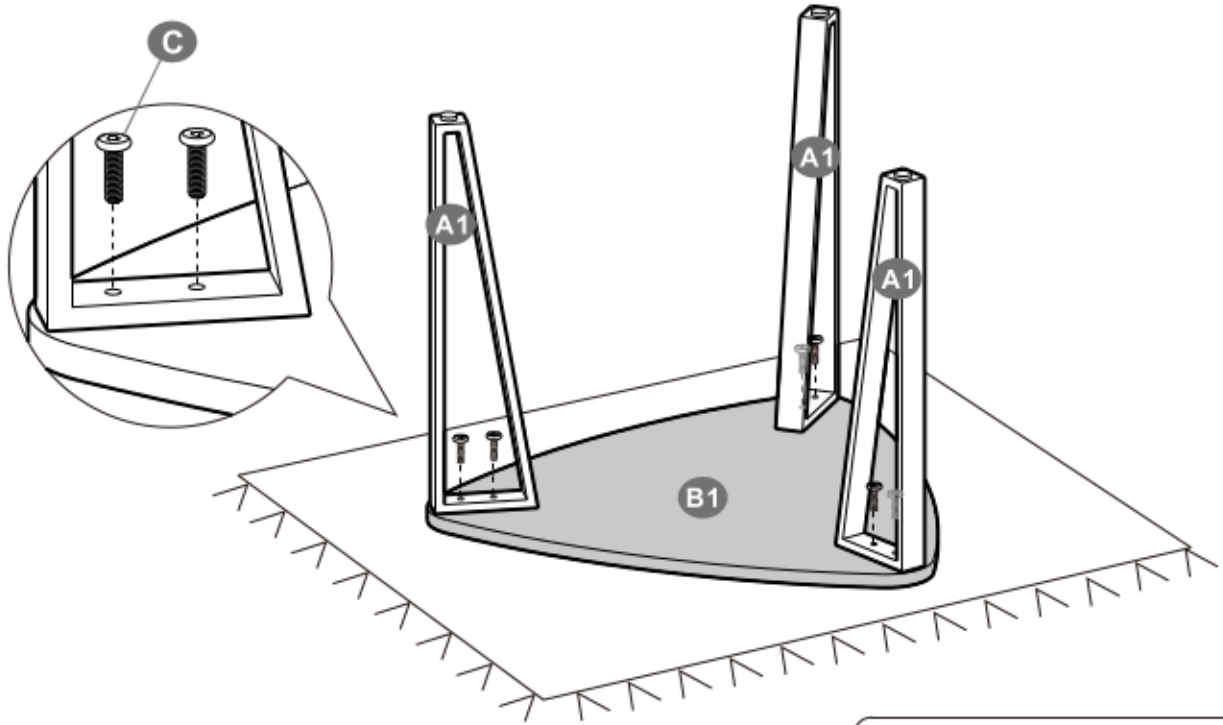


× 1

Tools Required:

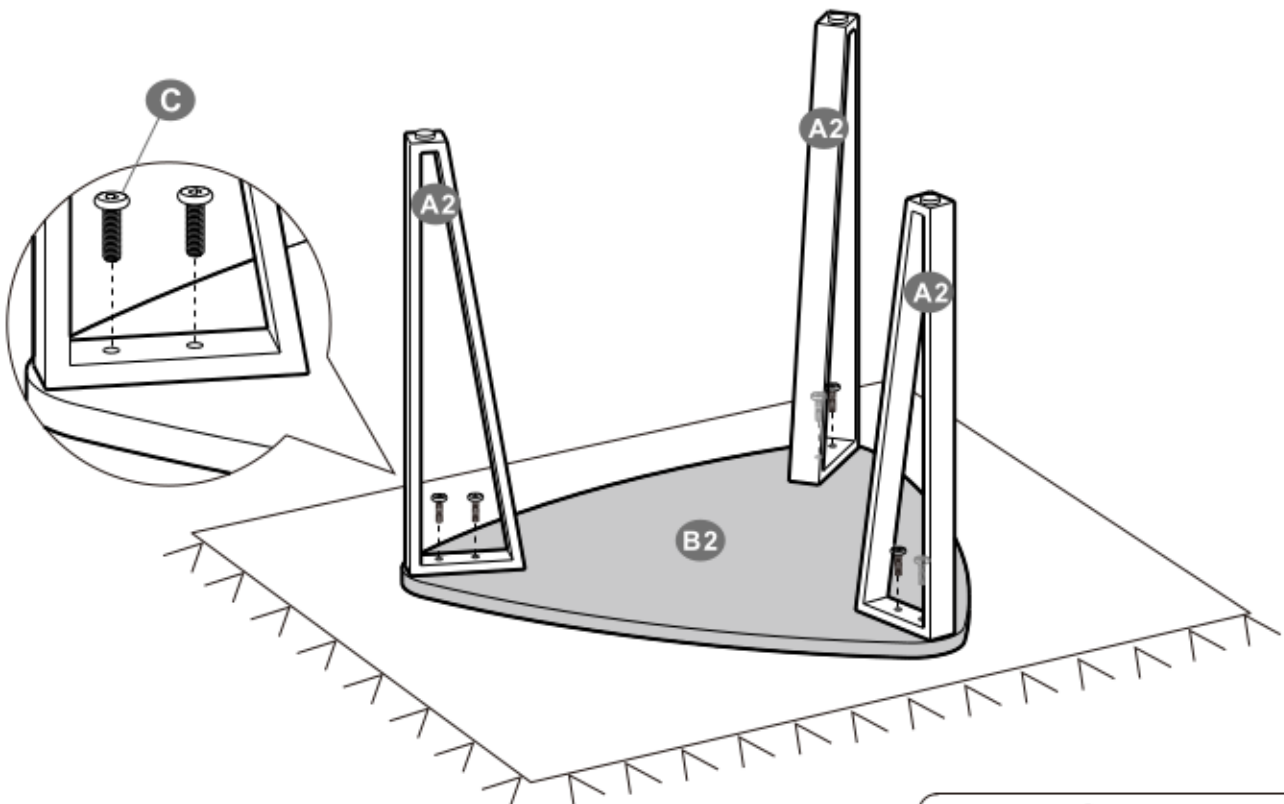


1



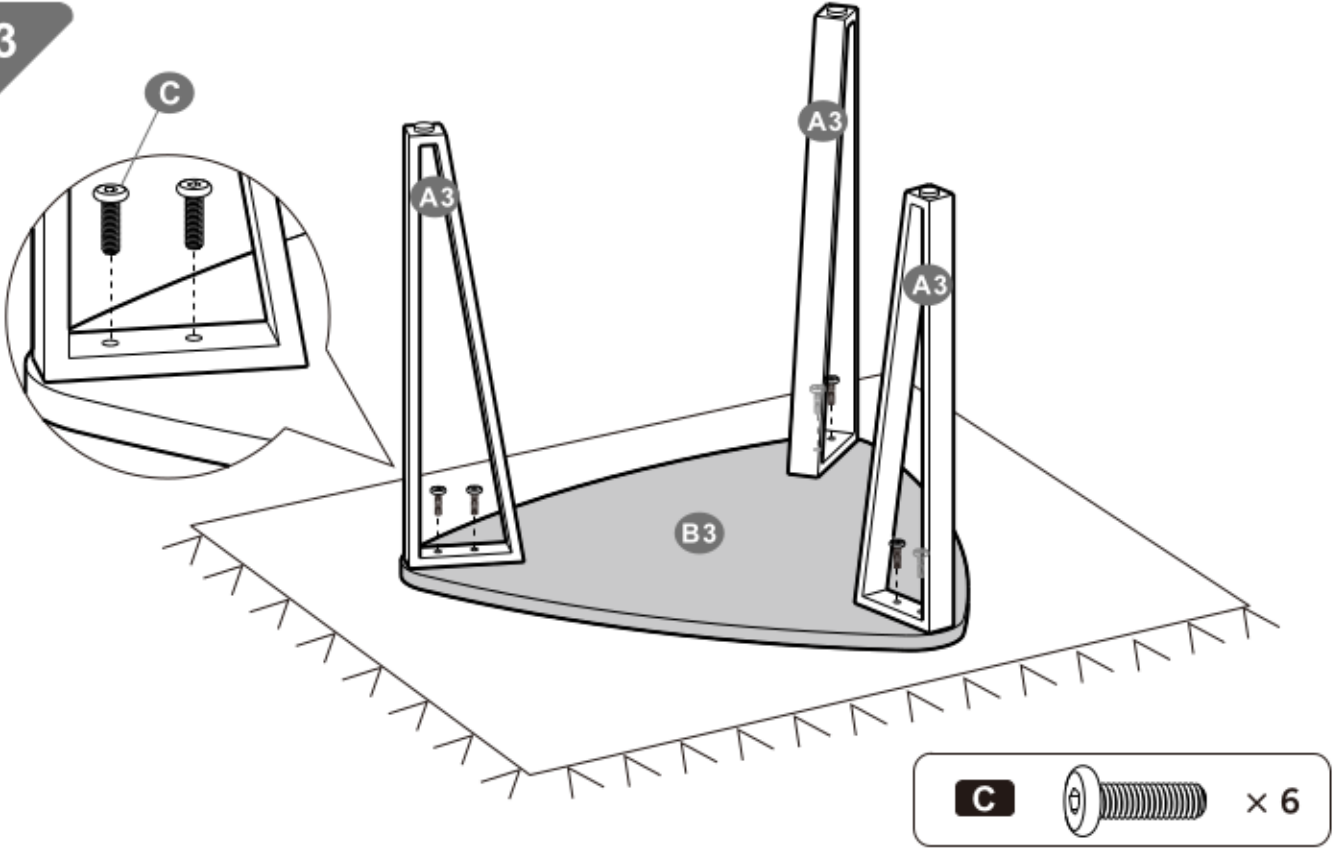
C  × 6

2



C  × 6

3



4

