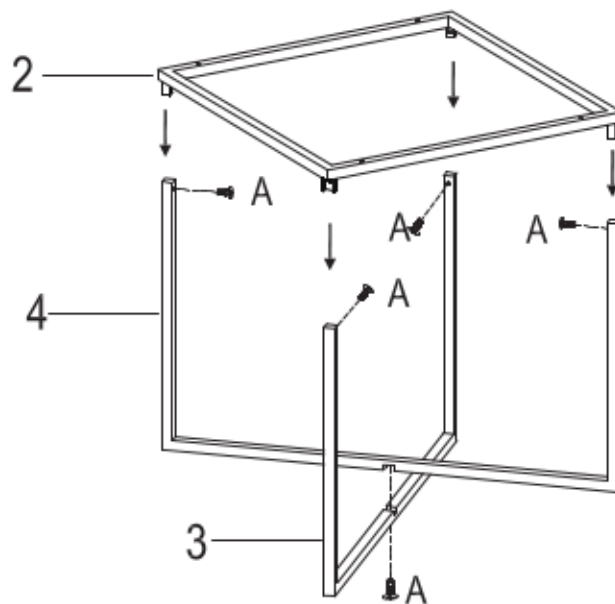


M4X10mm

A X 5

B X 4



1

2

