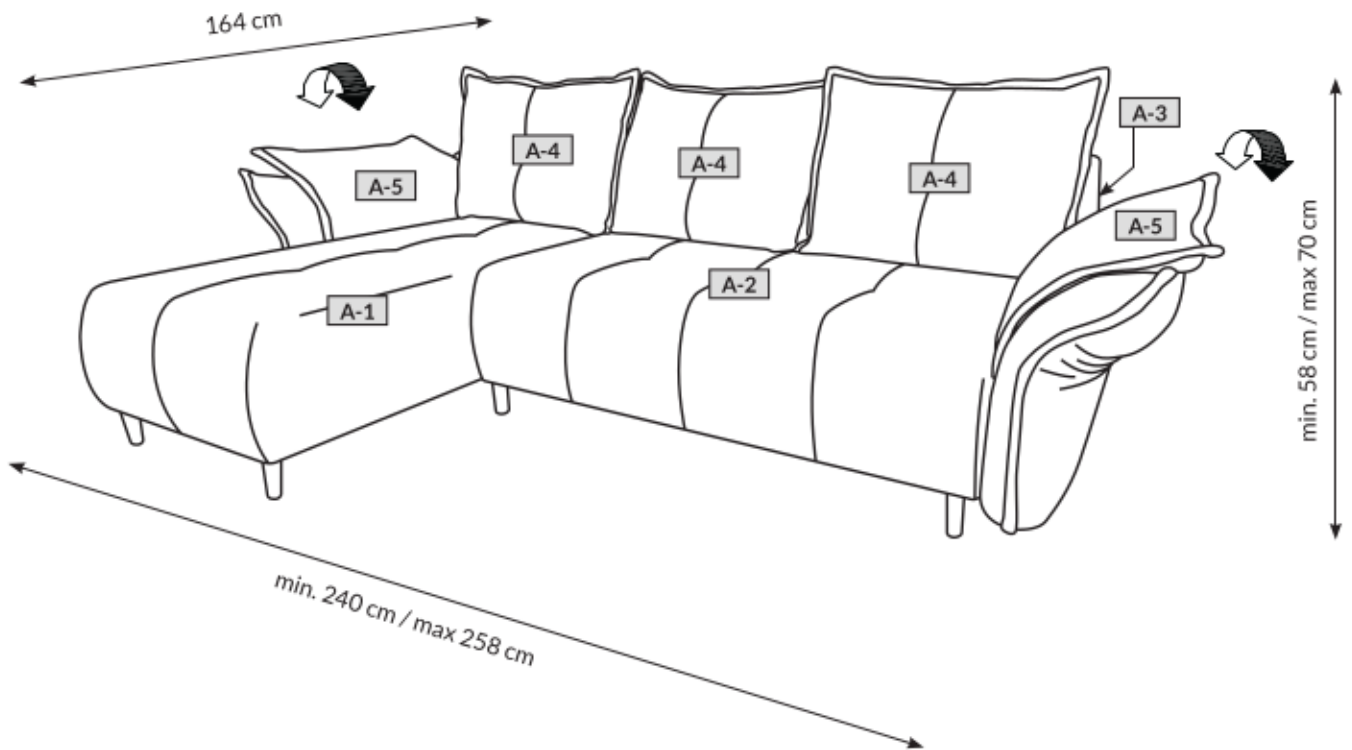


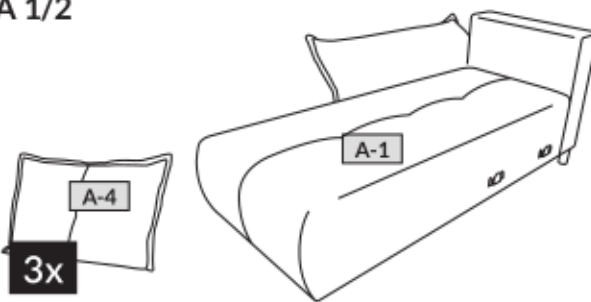


**A**

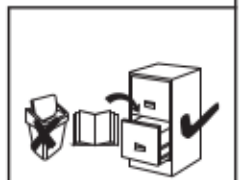
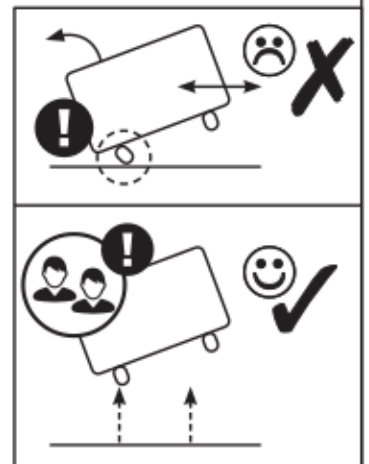
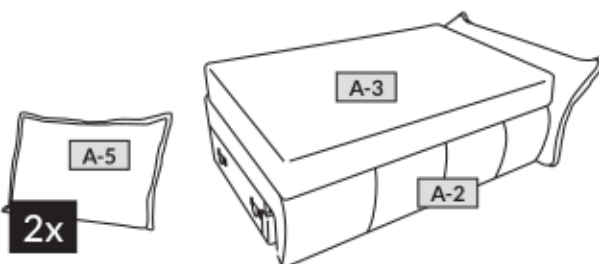
2022-03-10

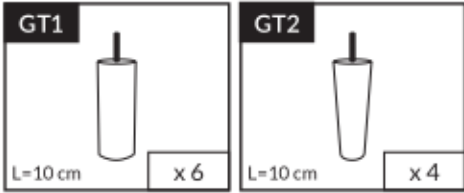


**A 1/2**

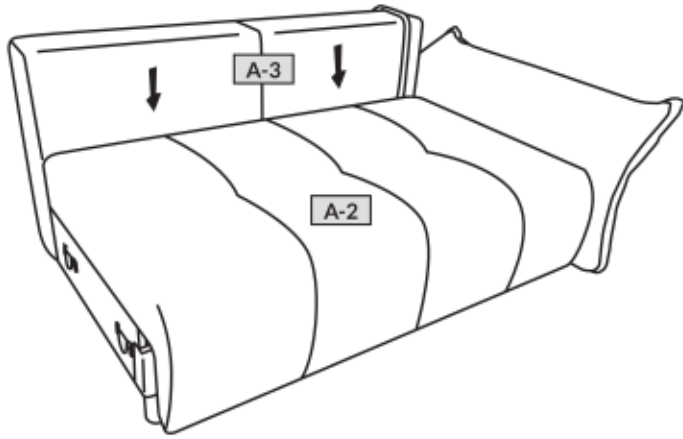


**A 2/2**

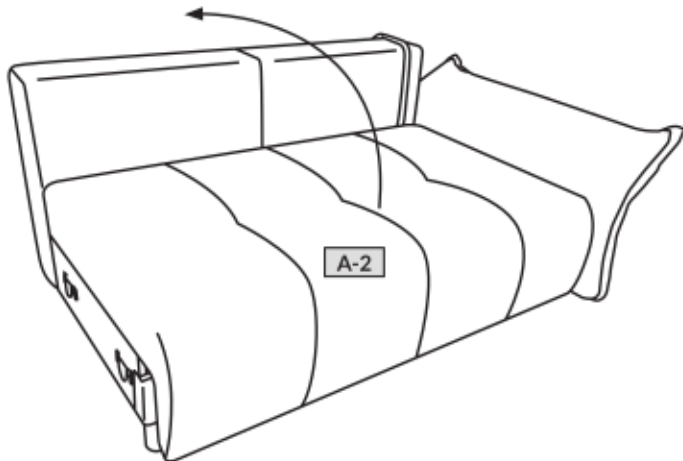




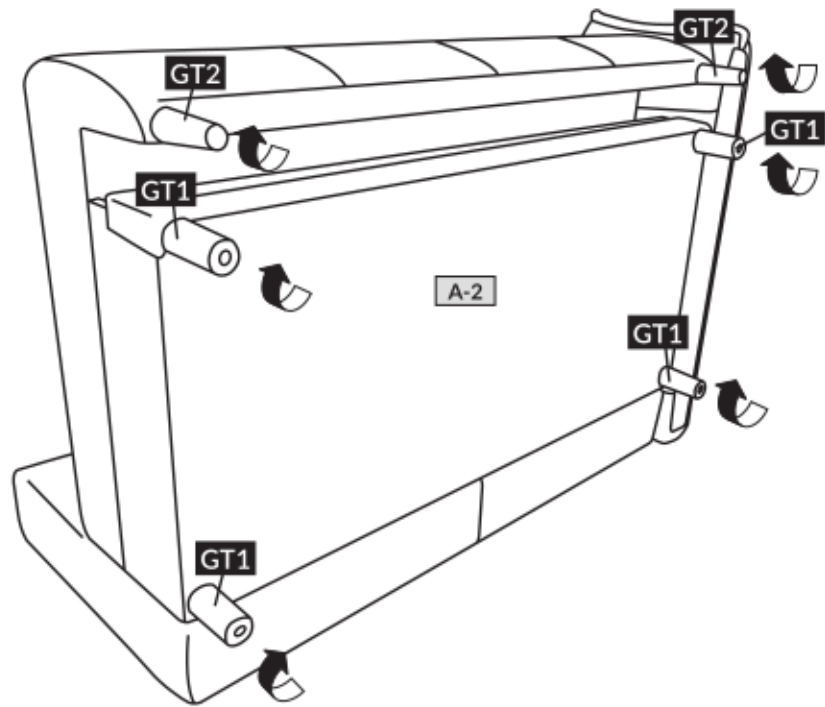
**A / 1**



**A / 2**



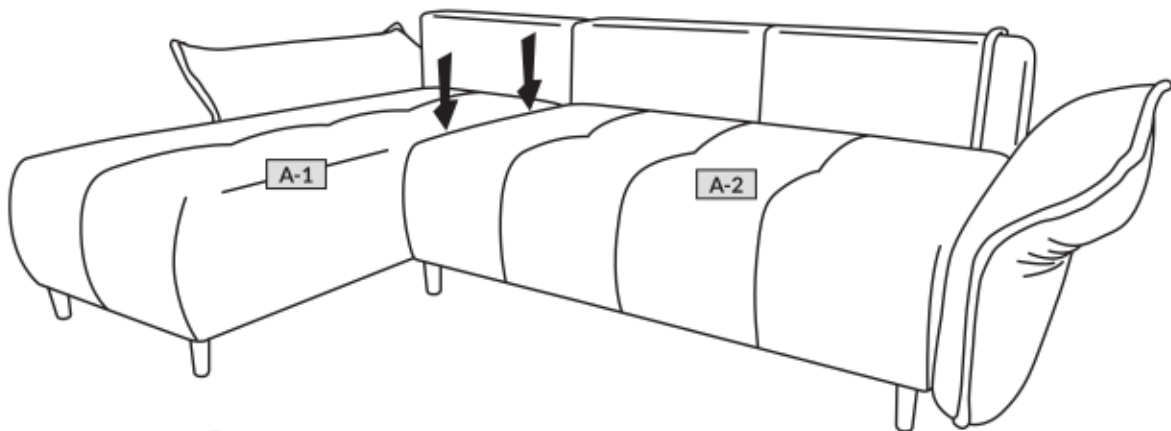
**A / 3**



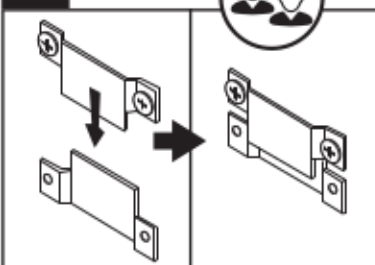
A / 4



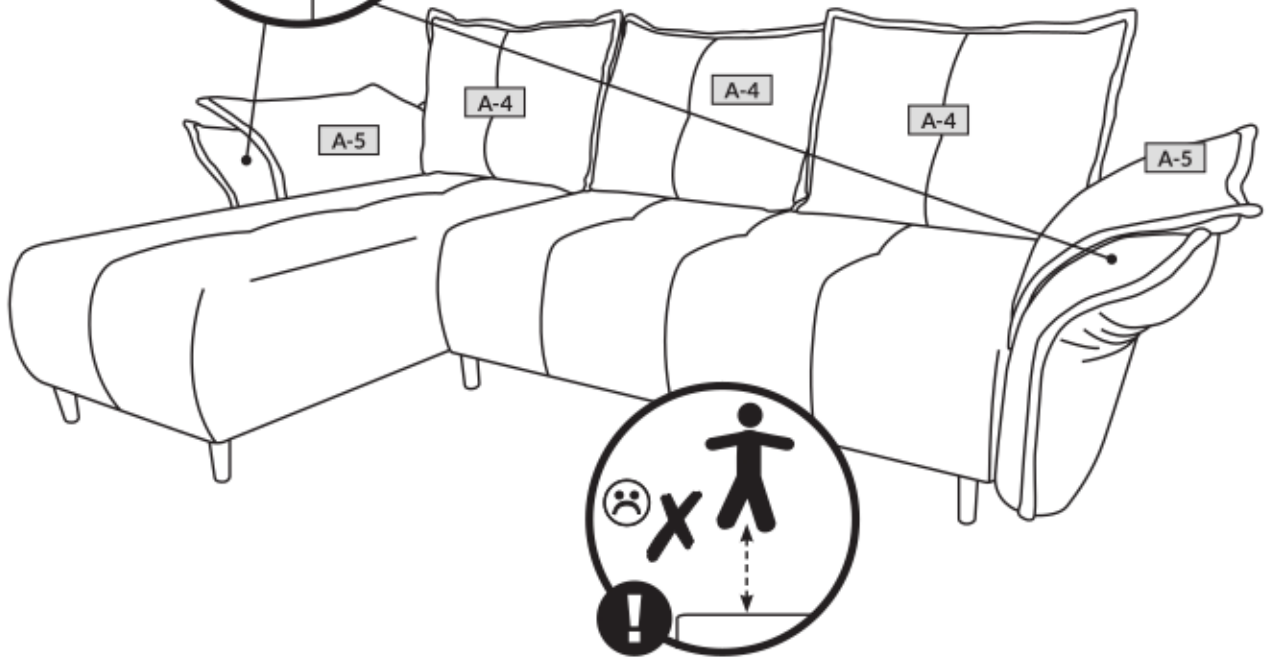
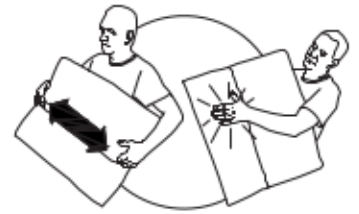
A / 5



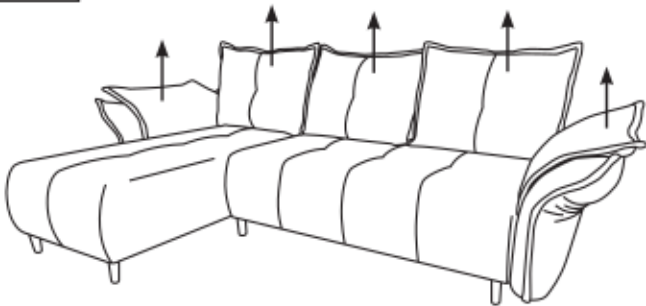
2x



A/6



A/1



A/2

A/3

