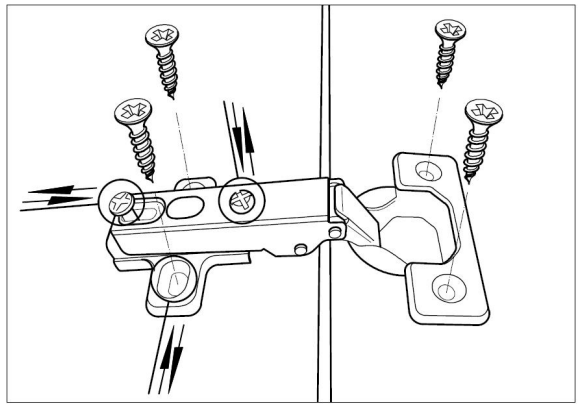
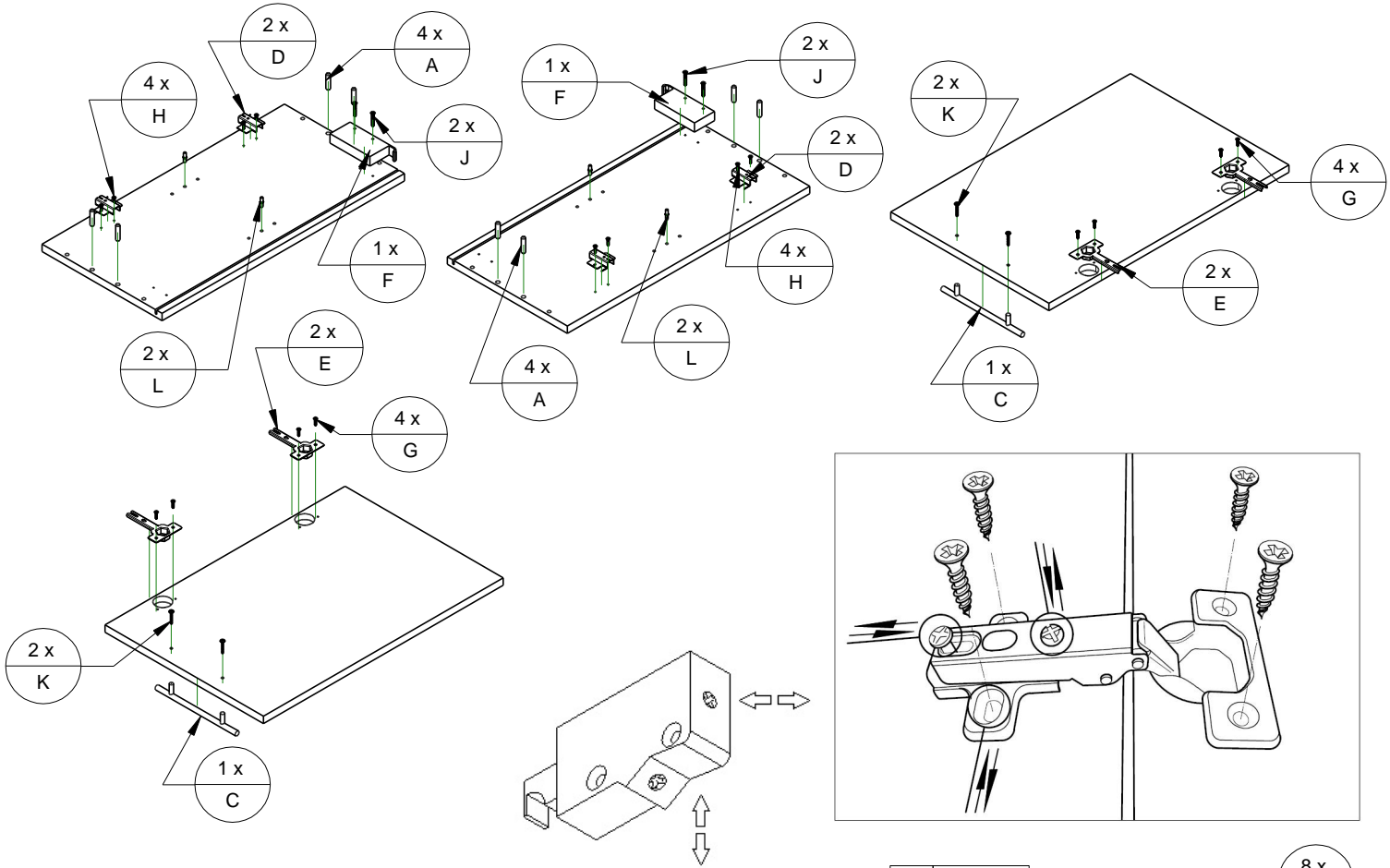
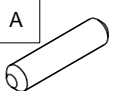
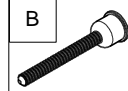
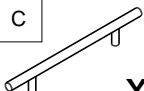


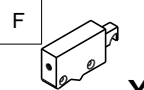

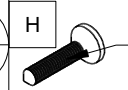
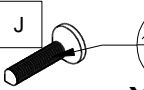
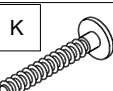
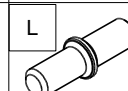
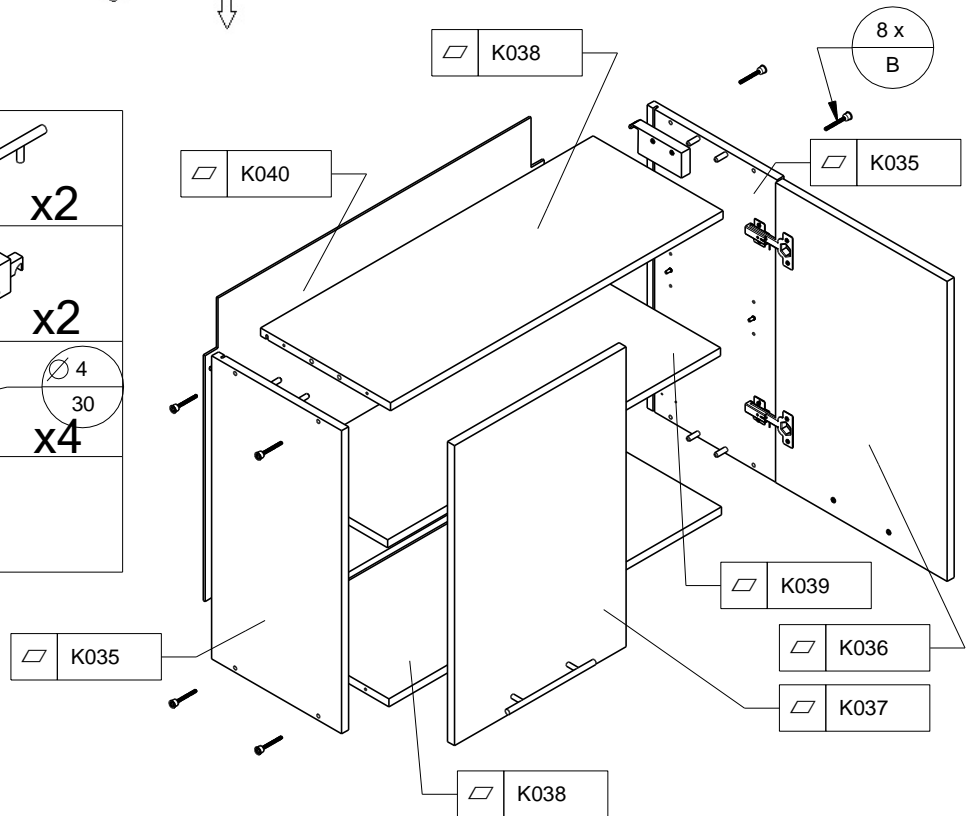


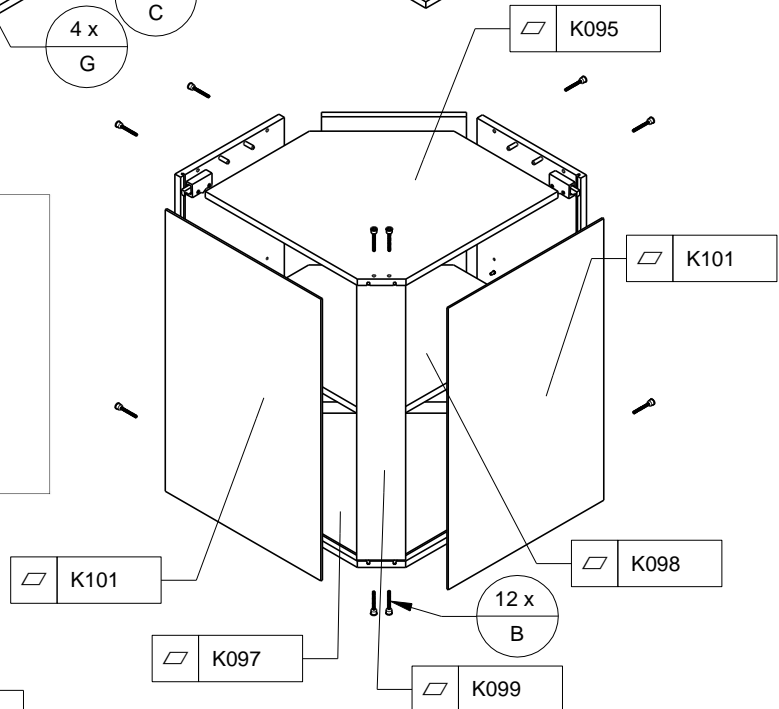
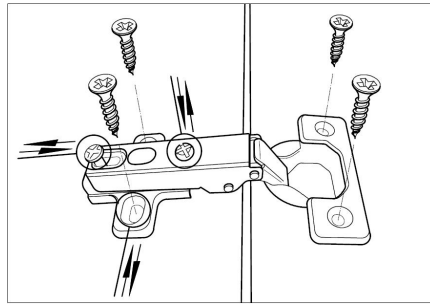
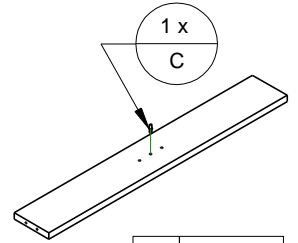
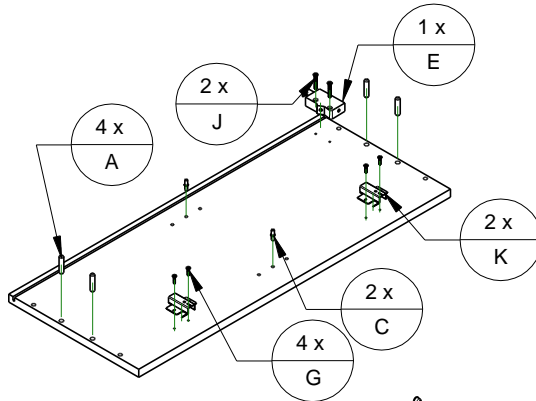
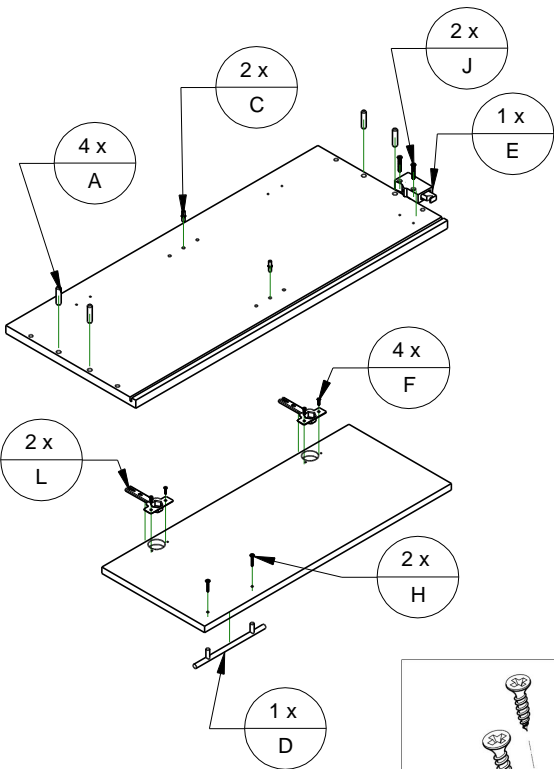
G80

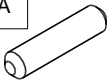


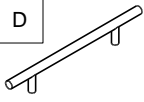
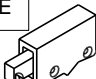
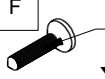
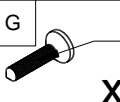


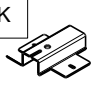



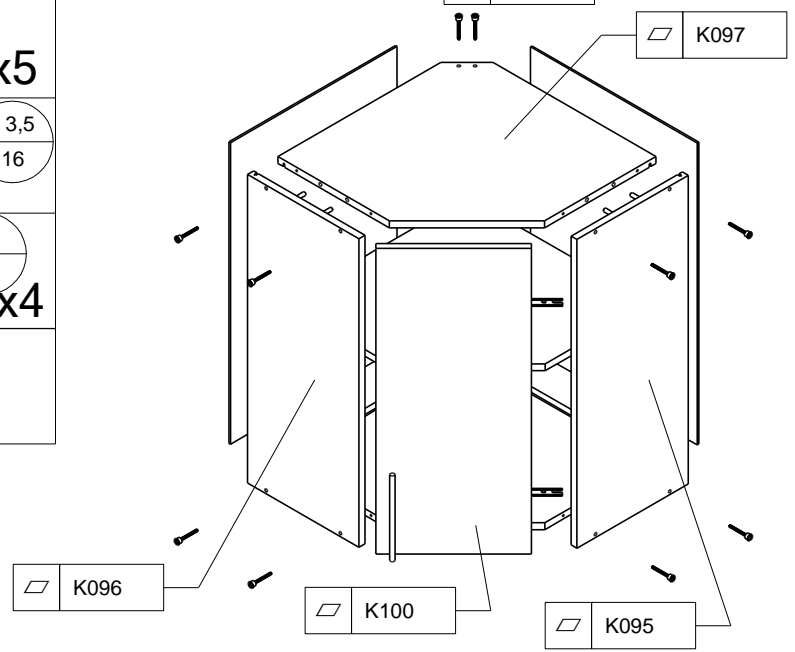
A	B	C
		
x8	x8	x2
D	E	F
		
x4	x4	x2
G	H	J
		
x8	x8	x4
K	L	M
		
x4	x4	



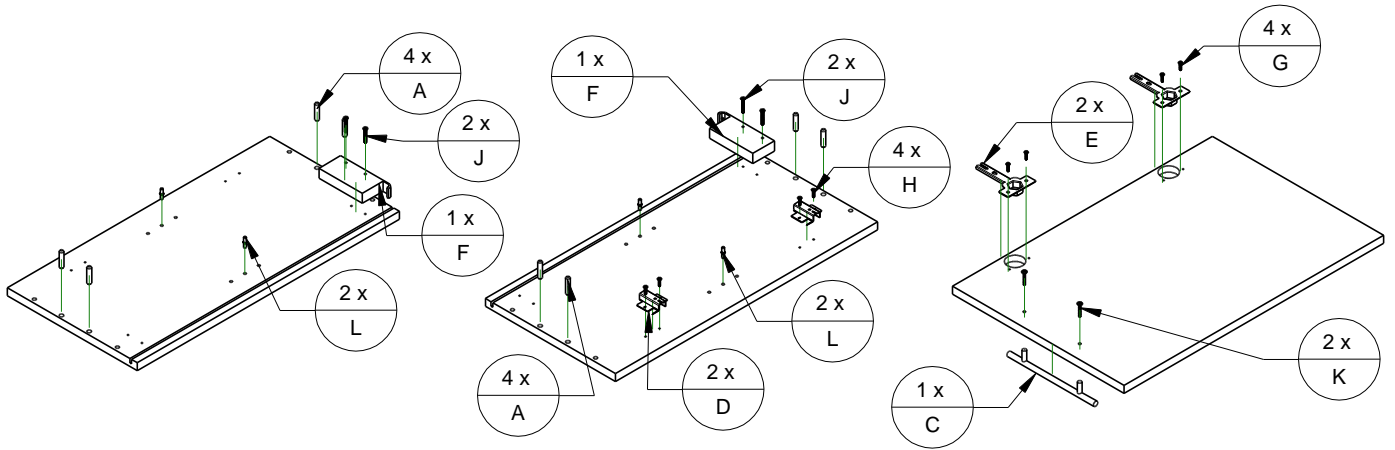
GR

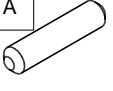
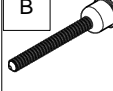
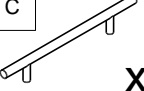
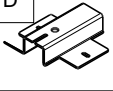
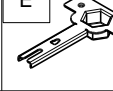
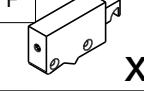

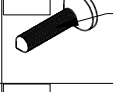
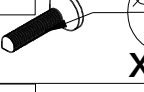




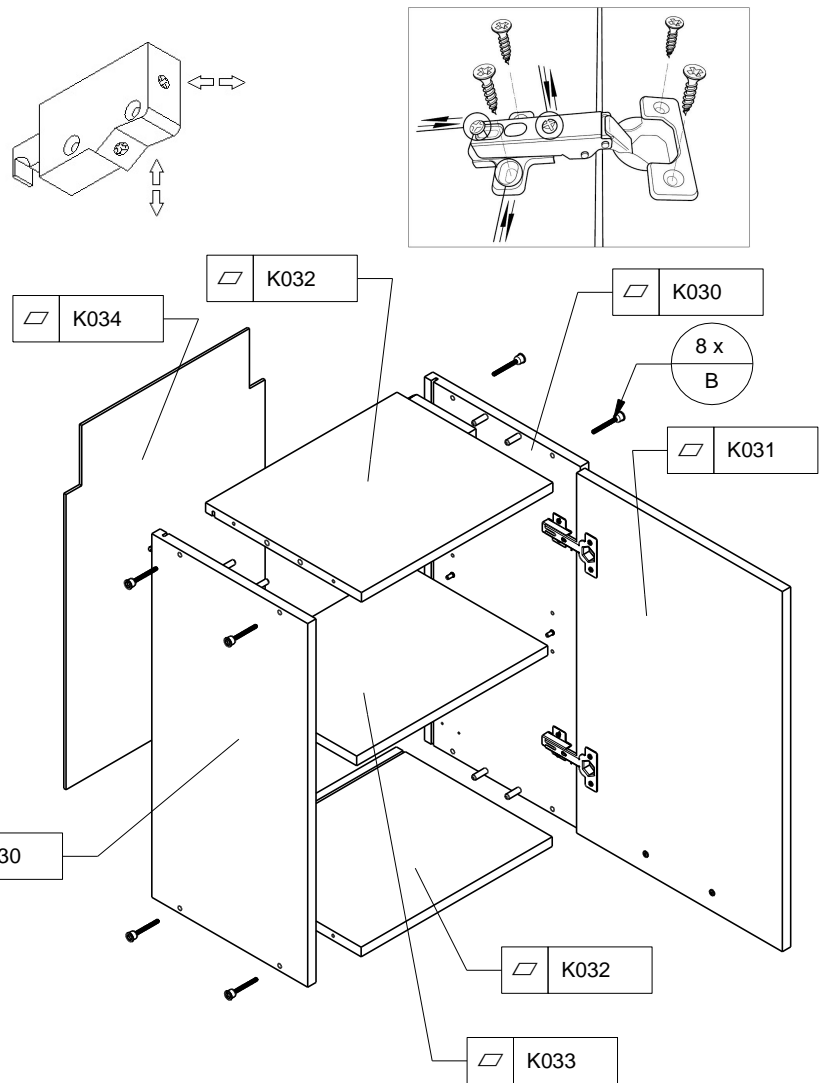
A	 x8	B	 x12	C	 x5
D	 x1	E	 x2	F	 x4 (3,5 / 16)
G	 x4 (4 / 16)	H	 x2	J	 x4 (4 / 30)
K	 x2	L	 x2	M	



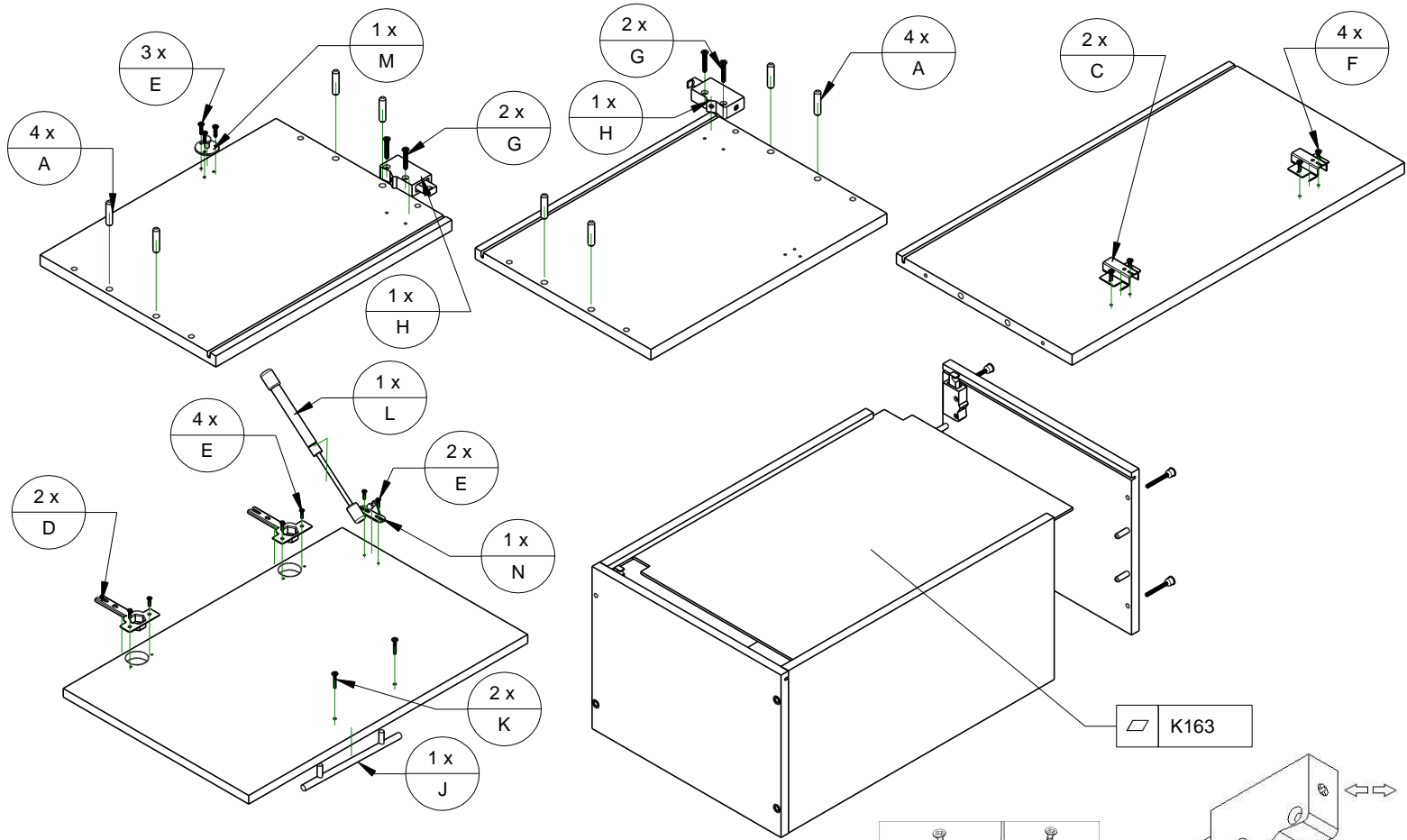
G30/40/60 1F

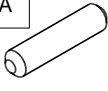

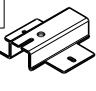
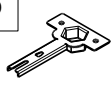
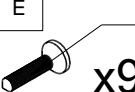
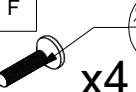
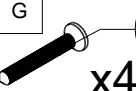
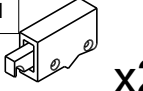
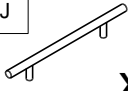

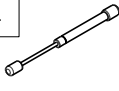
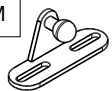
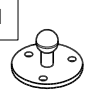


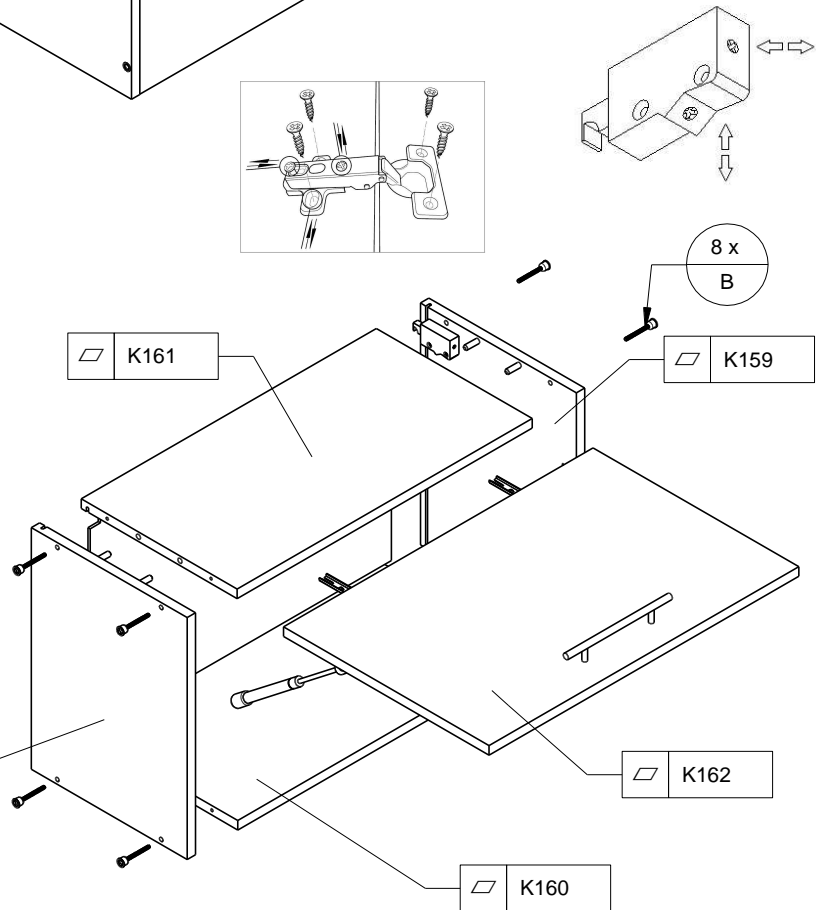
A		x8	B		x8	C		x1			
D		x2	E		x2	F		x2			
G		$\varnothing 3,5$ 16	x4	H		$\varnothing 4$ 16	x4	J		$\varnothing 4$ 30	x4
K		x2	L		x4	M					



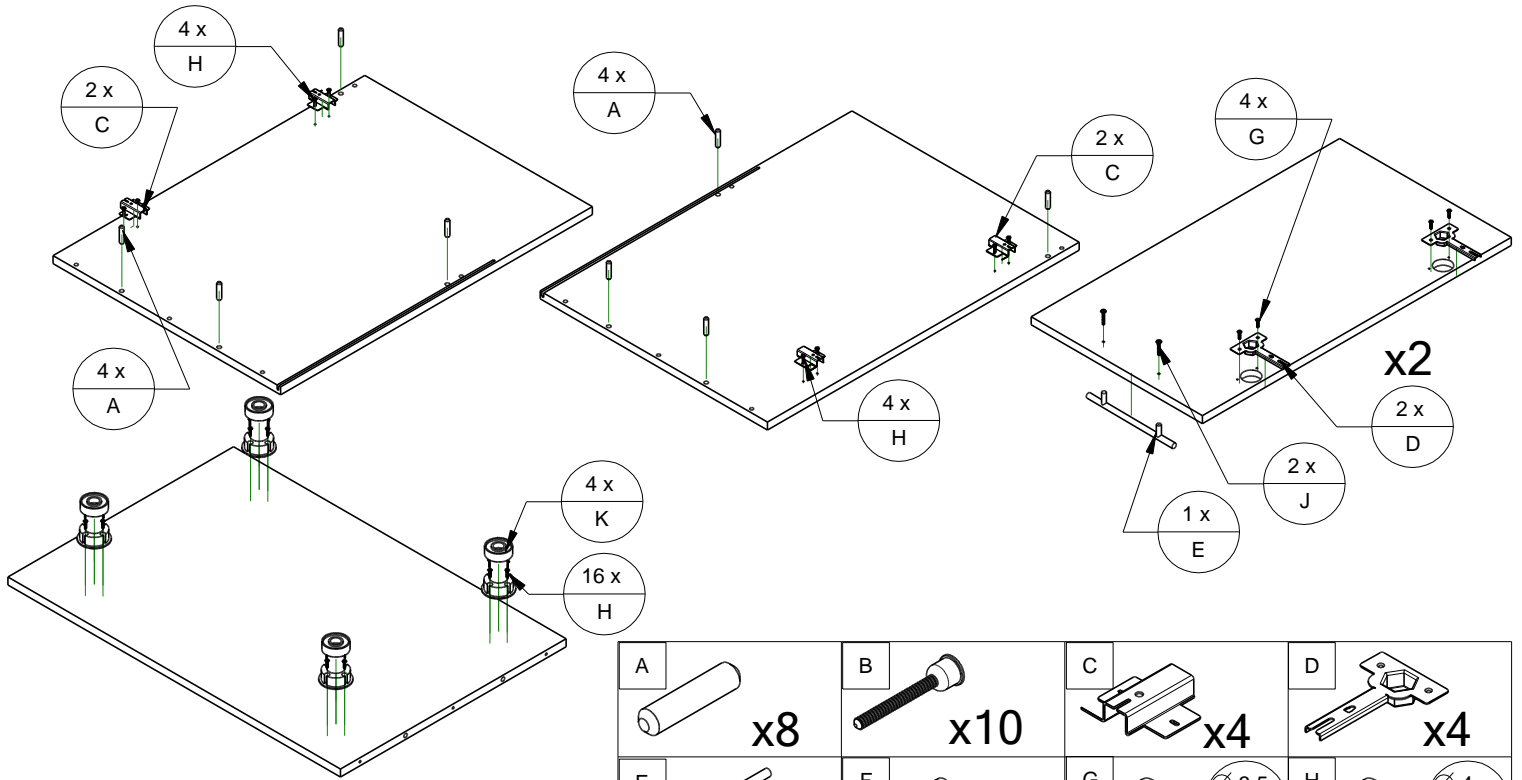
G50/60 ok

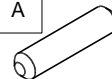
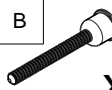
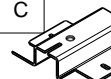
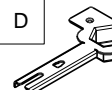

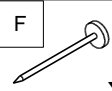
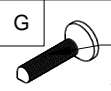
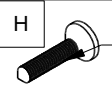
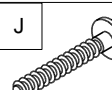
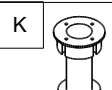
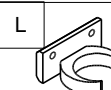


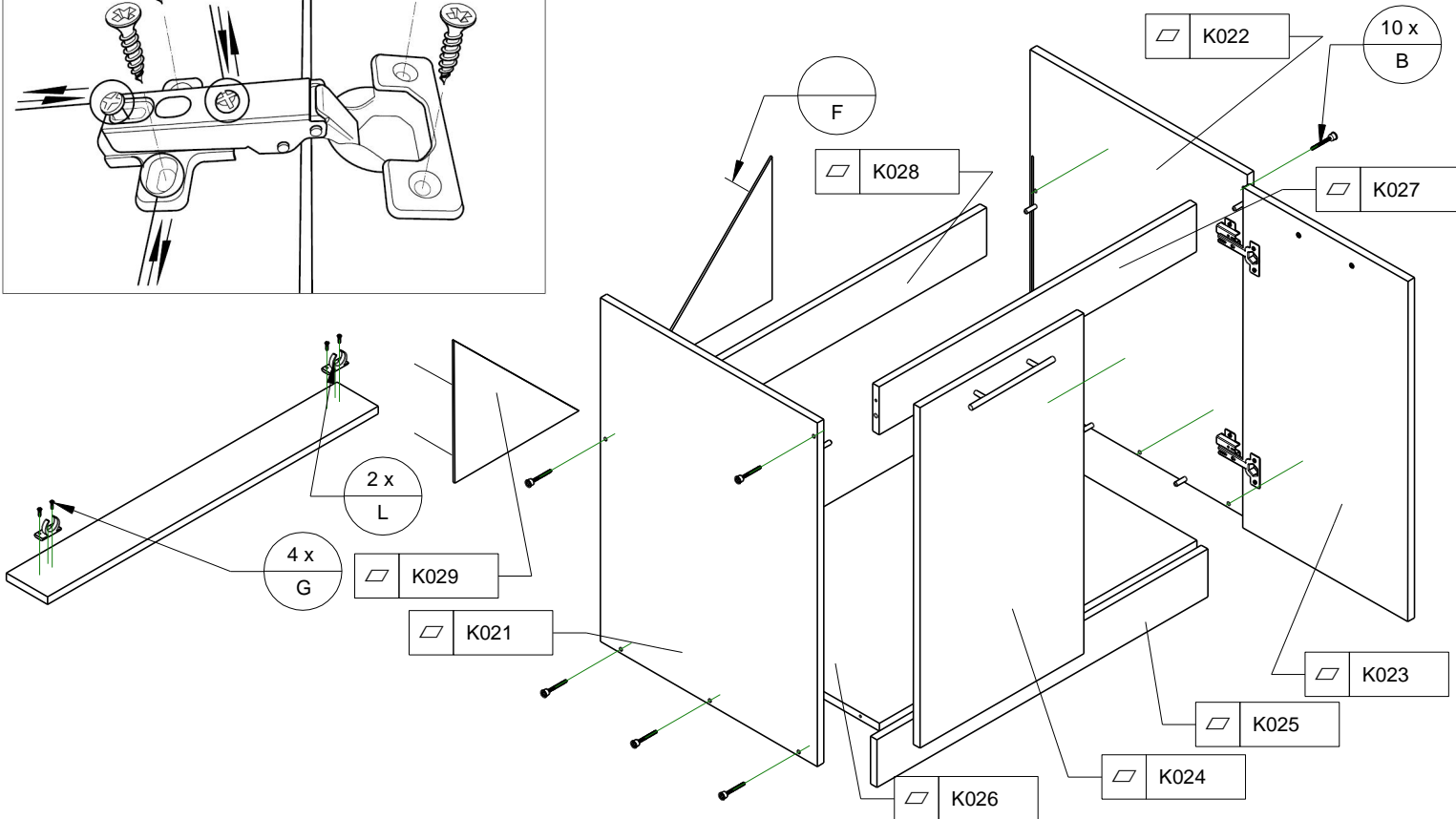
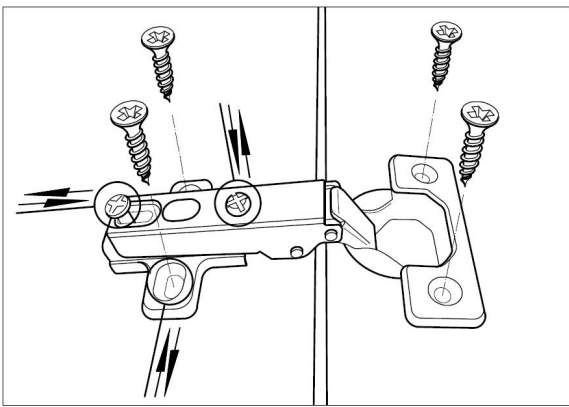
A	B	C
 x8	 x8	 x2
D	E	F
 x2	 x9 $\varnothing 3,5$ 16	 x4 $\varnothing 4$ 16
G	H	J
 x4 $\varnothing 4$ 30	 x2	 x1
K	L	M
 x2	 x1	 x1
N	P	R
 x1		



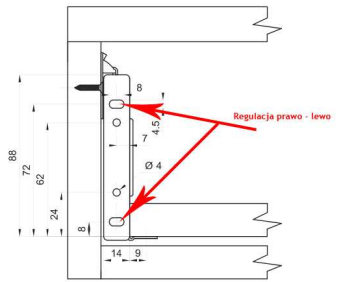
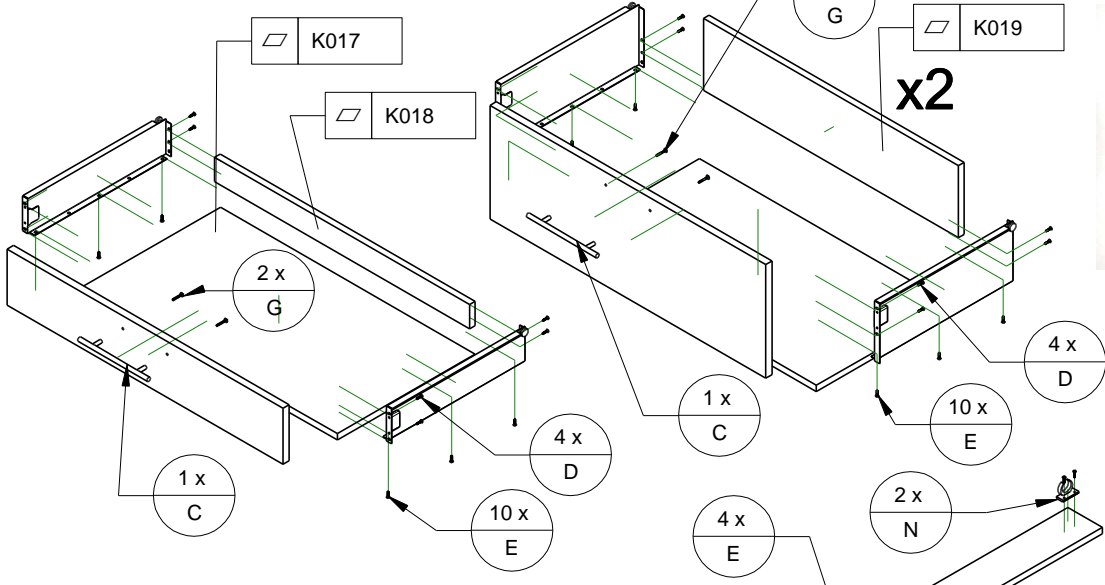
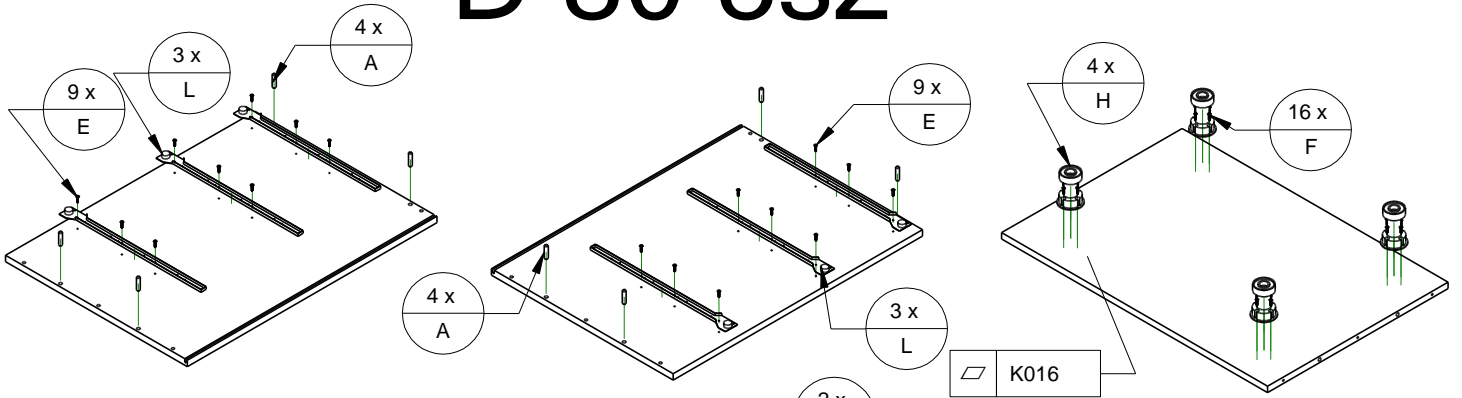
D 80zi



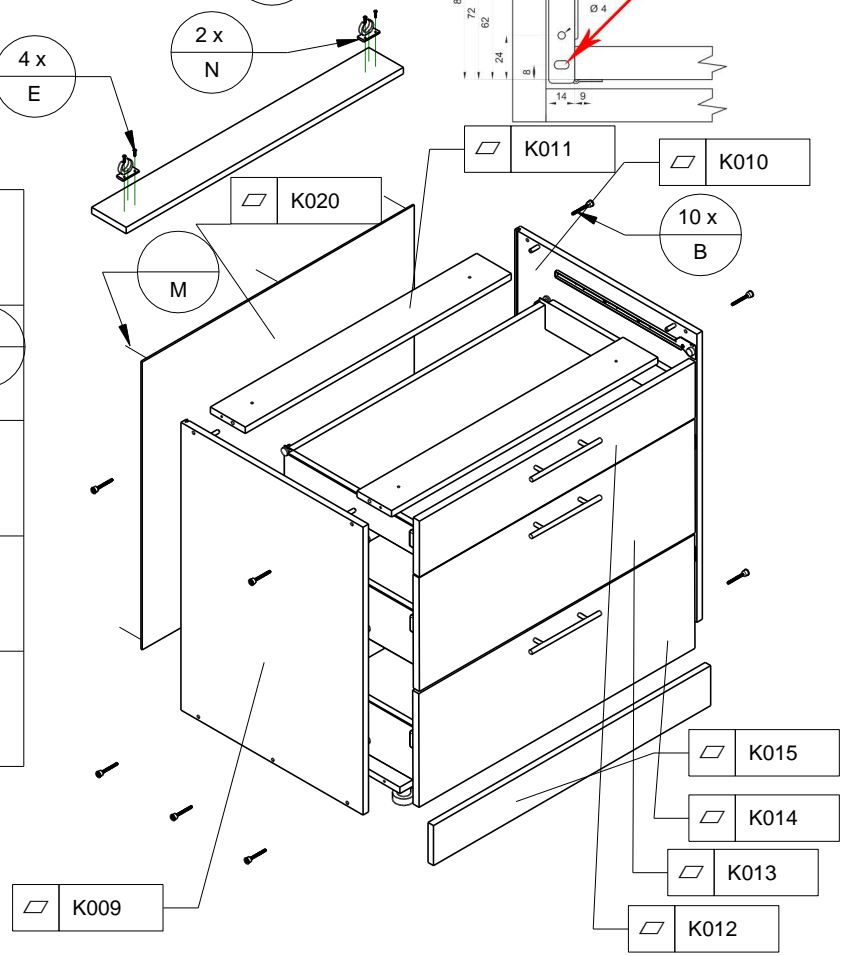
A	 x8	B	 x10	C	 x4	D	 x4
E	 x2	F	 x10	G	 $\varnothing 3,5$ 16 x12	H	 $\varnothing 4$ 16 x8
J	 x4	K	 x4	L	 x2	M	



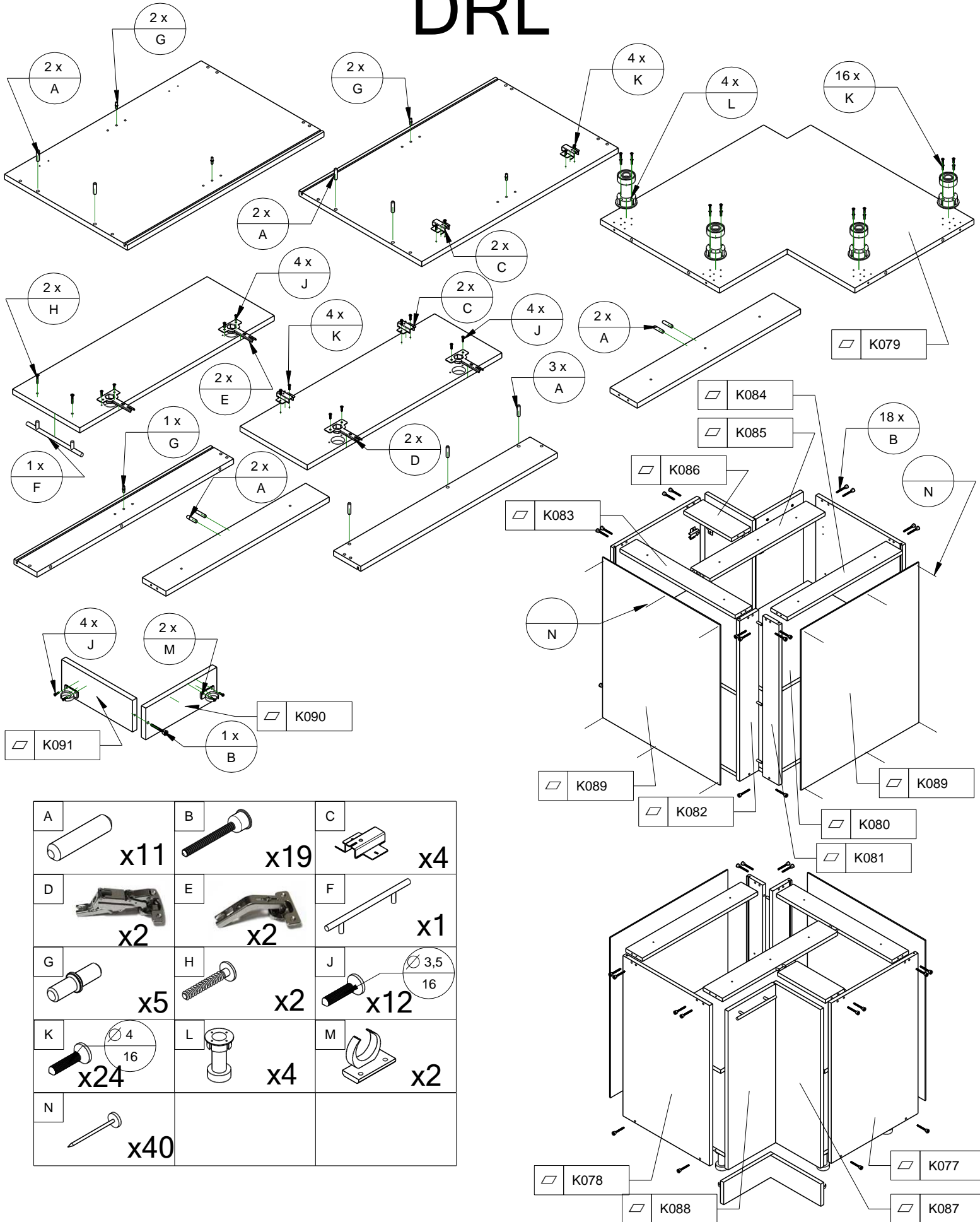
D 80 3sz



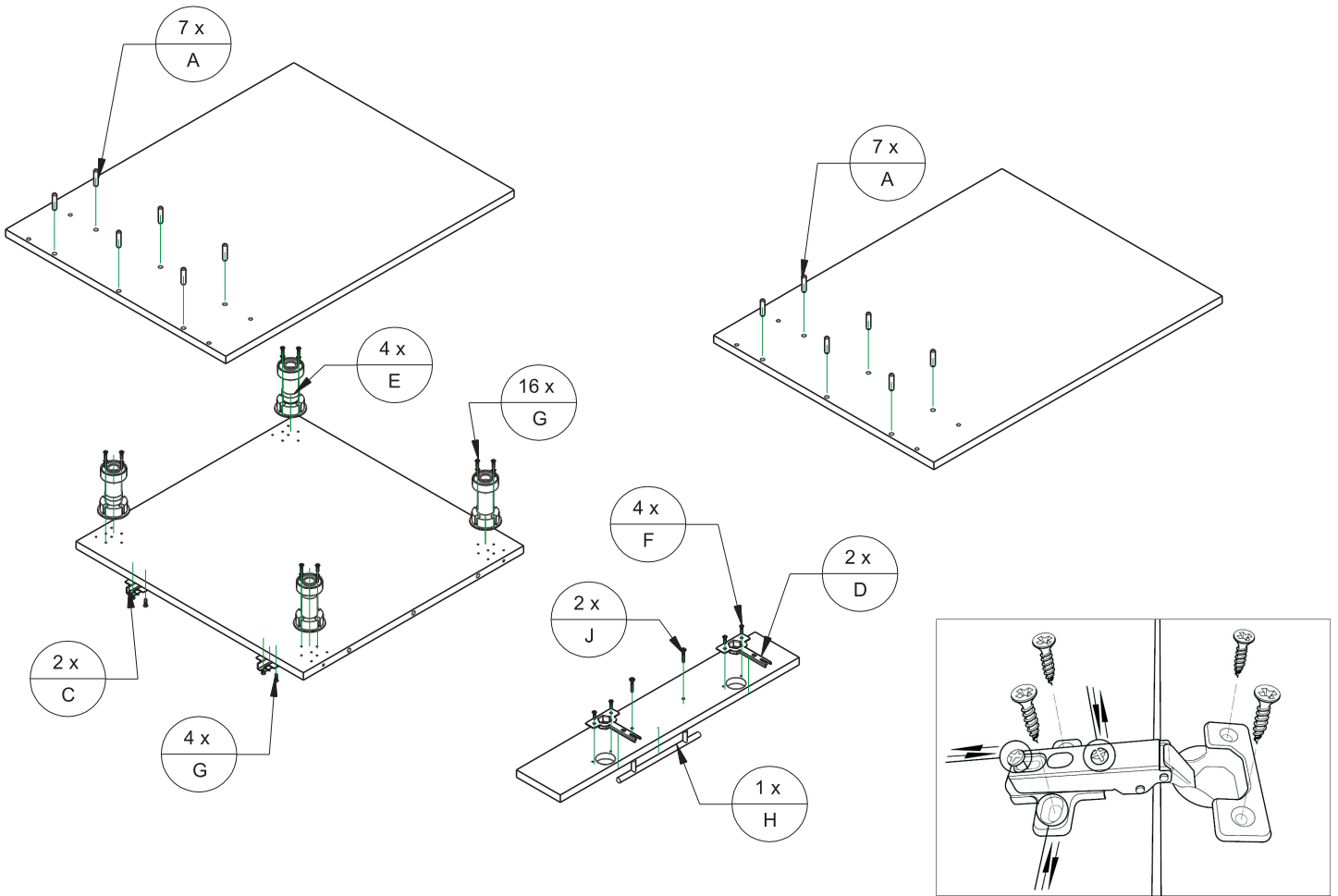
A	B	C
x8	x10	x3
D	E	F
$\varnothing 3$ x12	$\varnothing 3,5$ x52	$\varnothing 4$ x16
G	H	J
x6	x4	x2
K	L	M
x4	x6	x20
N	P	R
x2		

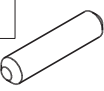


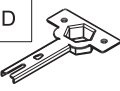
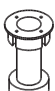


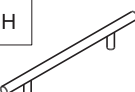
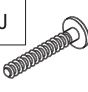


DRL



D 60 ku



A		x14	B		x10	C		x2
D		x2	E		x4	F		$\varnothing 3,5$ 16 x4
G		$\varnothing 4$ 16 x20	H		x1	J		x2

