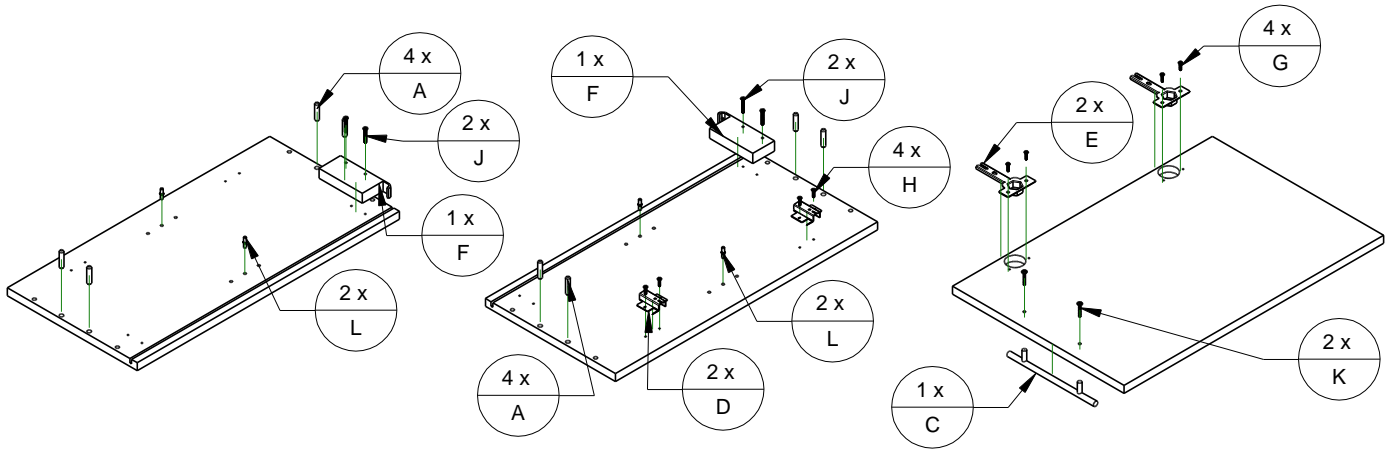
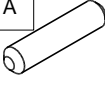
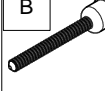
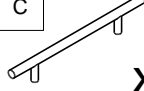
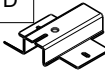
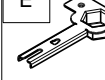
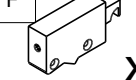
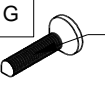
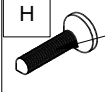
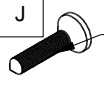
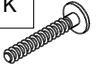
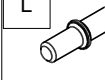
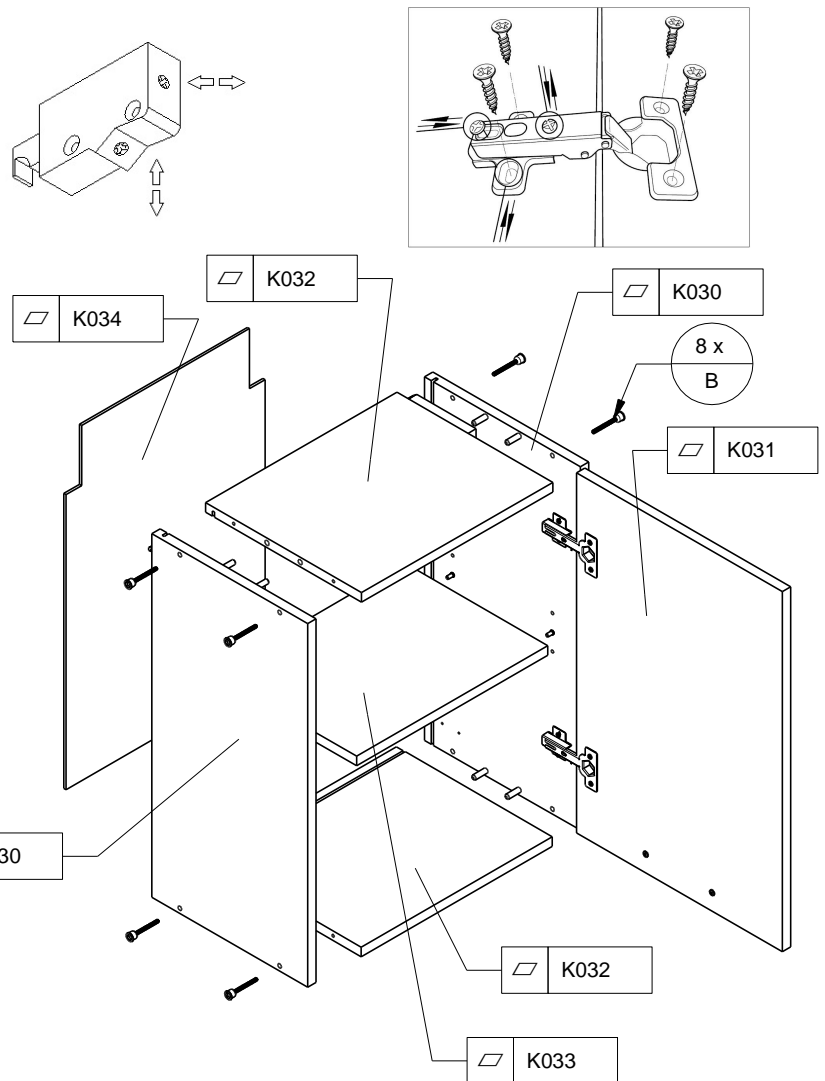


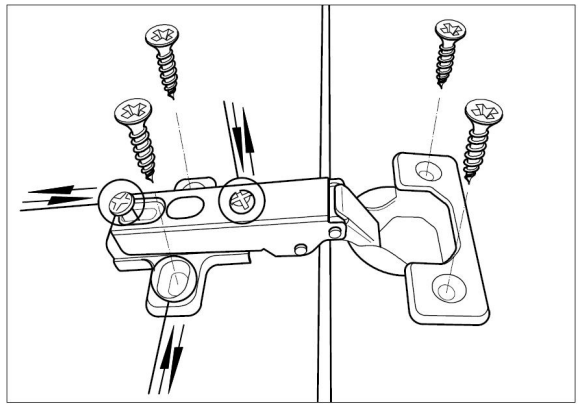
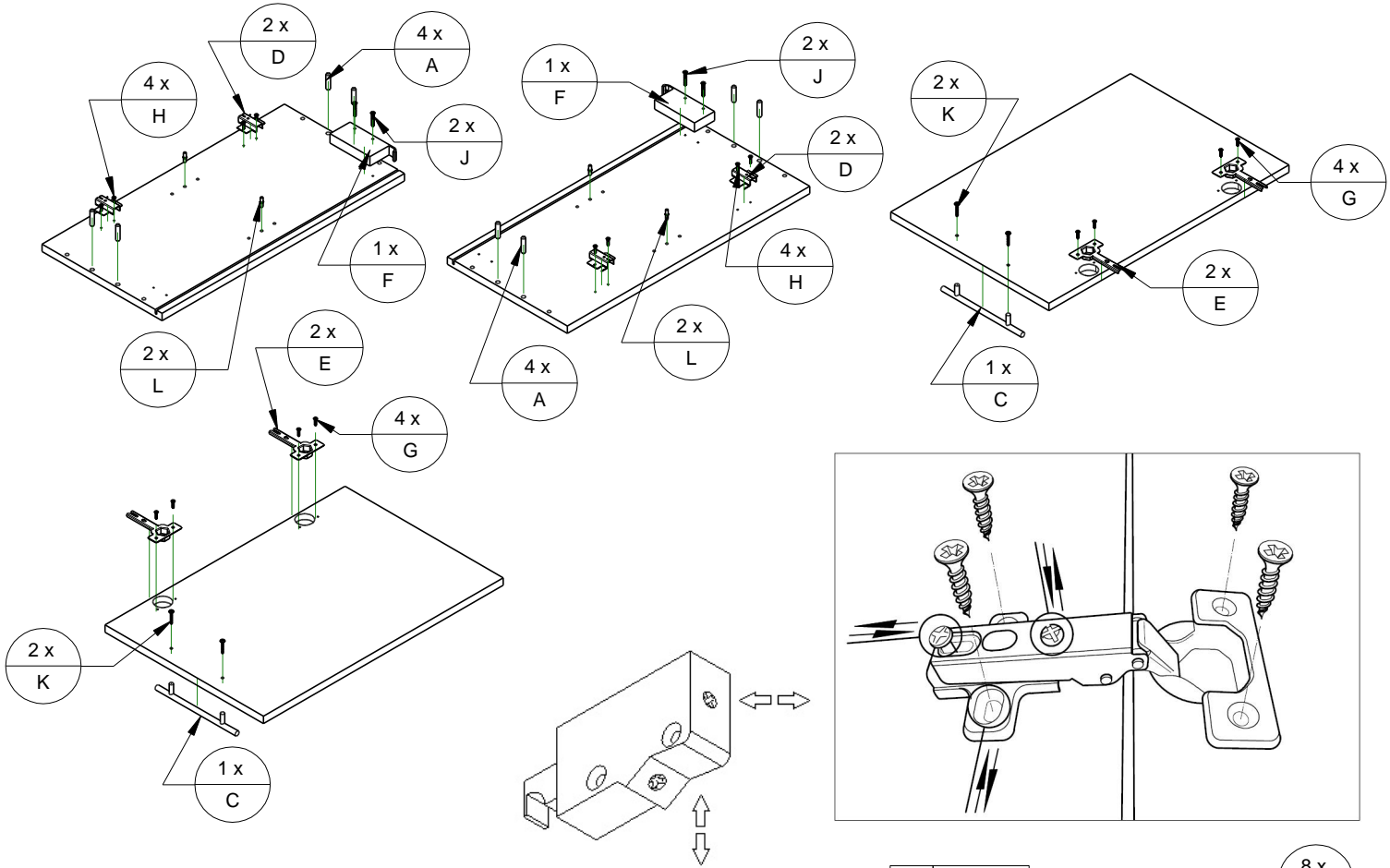
G30/40/60 1F

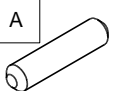
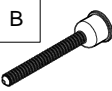
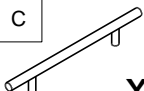


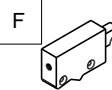

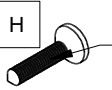
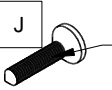
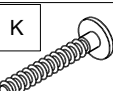
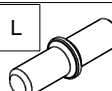


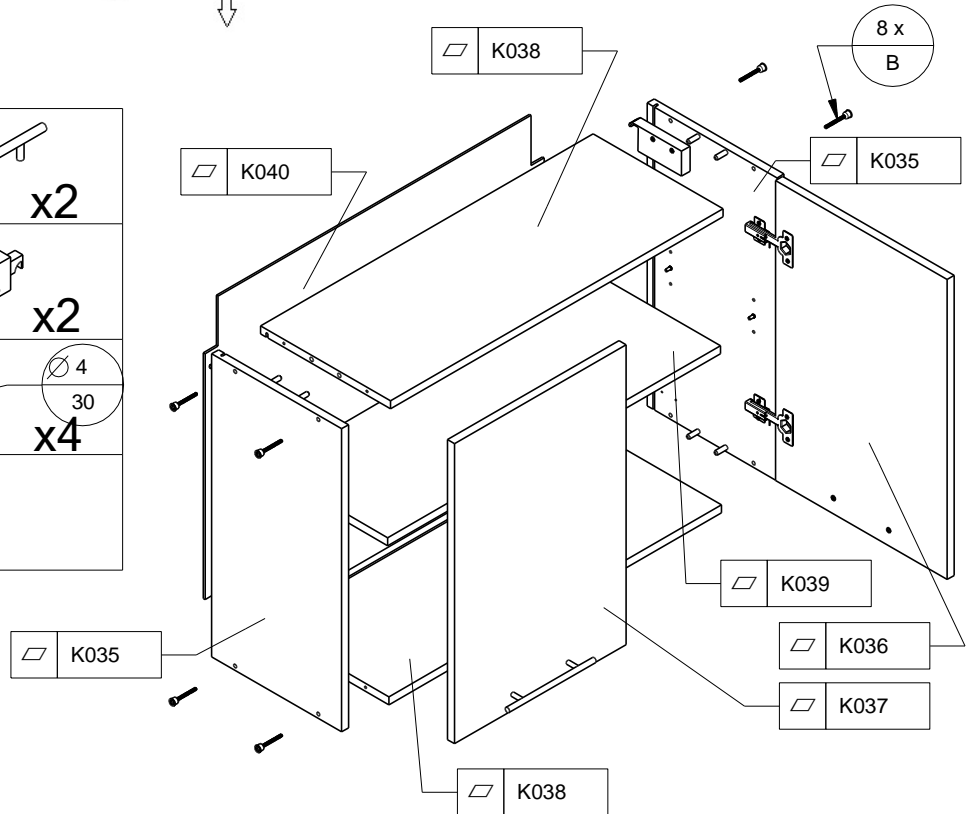
A		x8	B		x8	C		x1			
D		x2	E		x2	F		x2			
G		$\varnothing 3,5$ 16	x4	H		$\varnothing 4$ 16	x4	J		$\varnothing 4$ 30	x4
K		x2	L		x4	M					



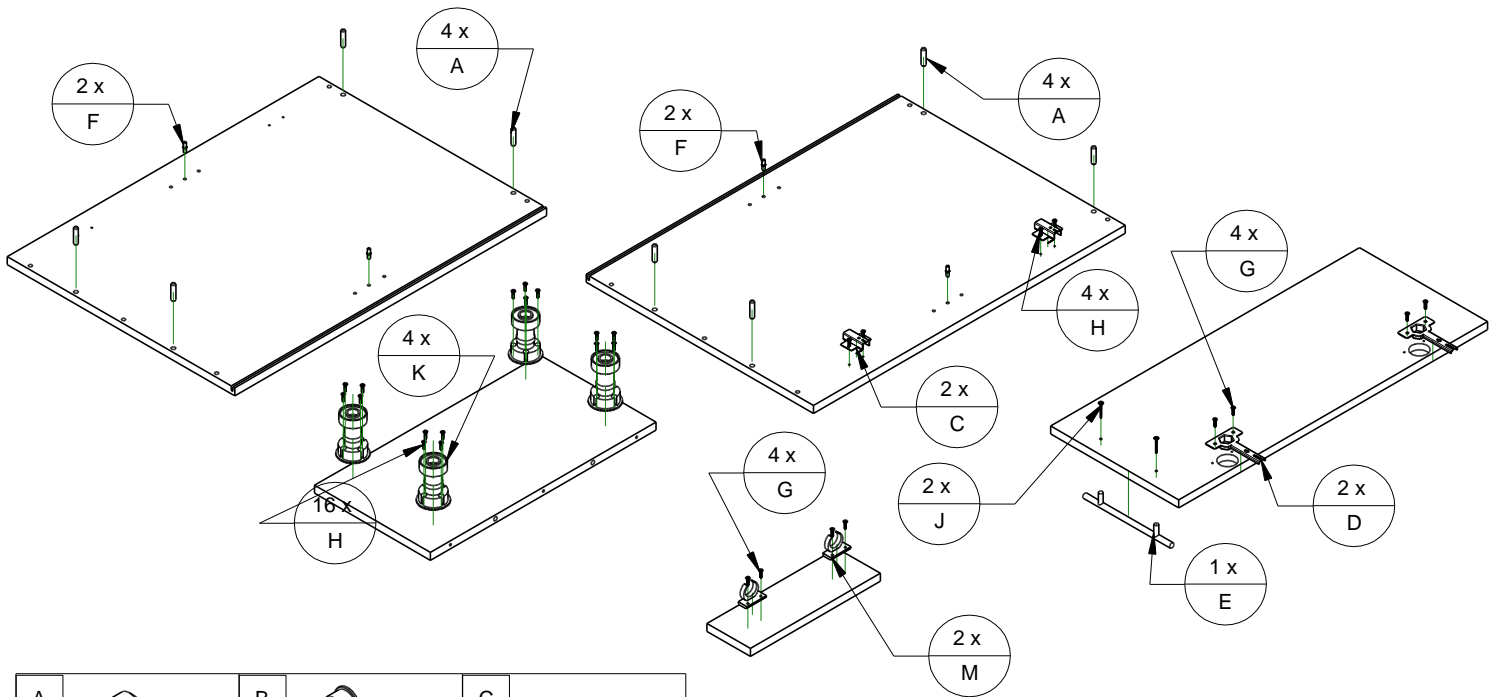
G80





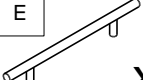
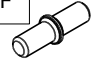

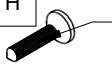
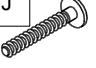
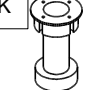
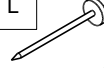



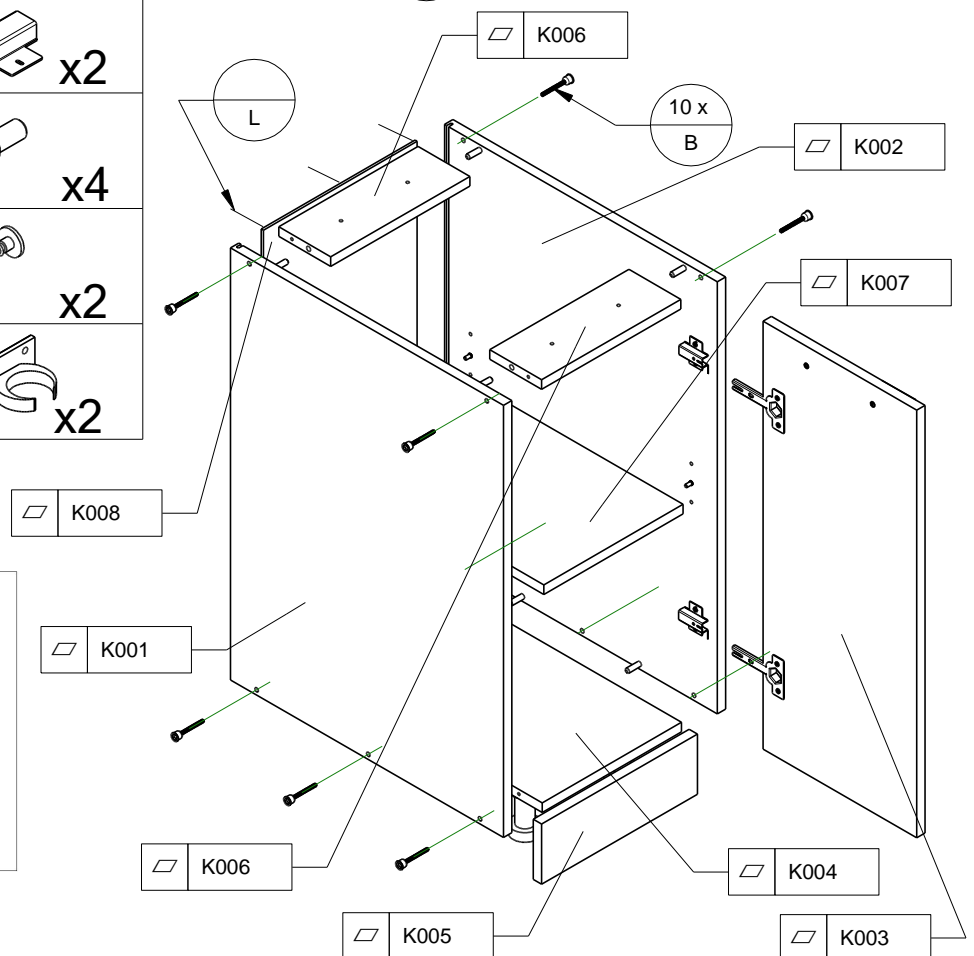
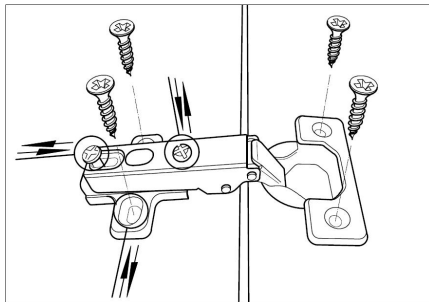
A	B	C
 x8	 x8	 x2
D	E	F
 x4	 x4	 x2
G	H	J
 x8	 x8	 x4
K	L	M
 x4	 x4	



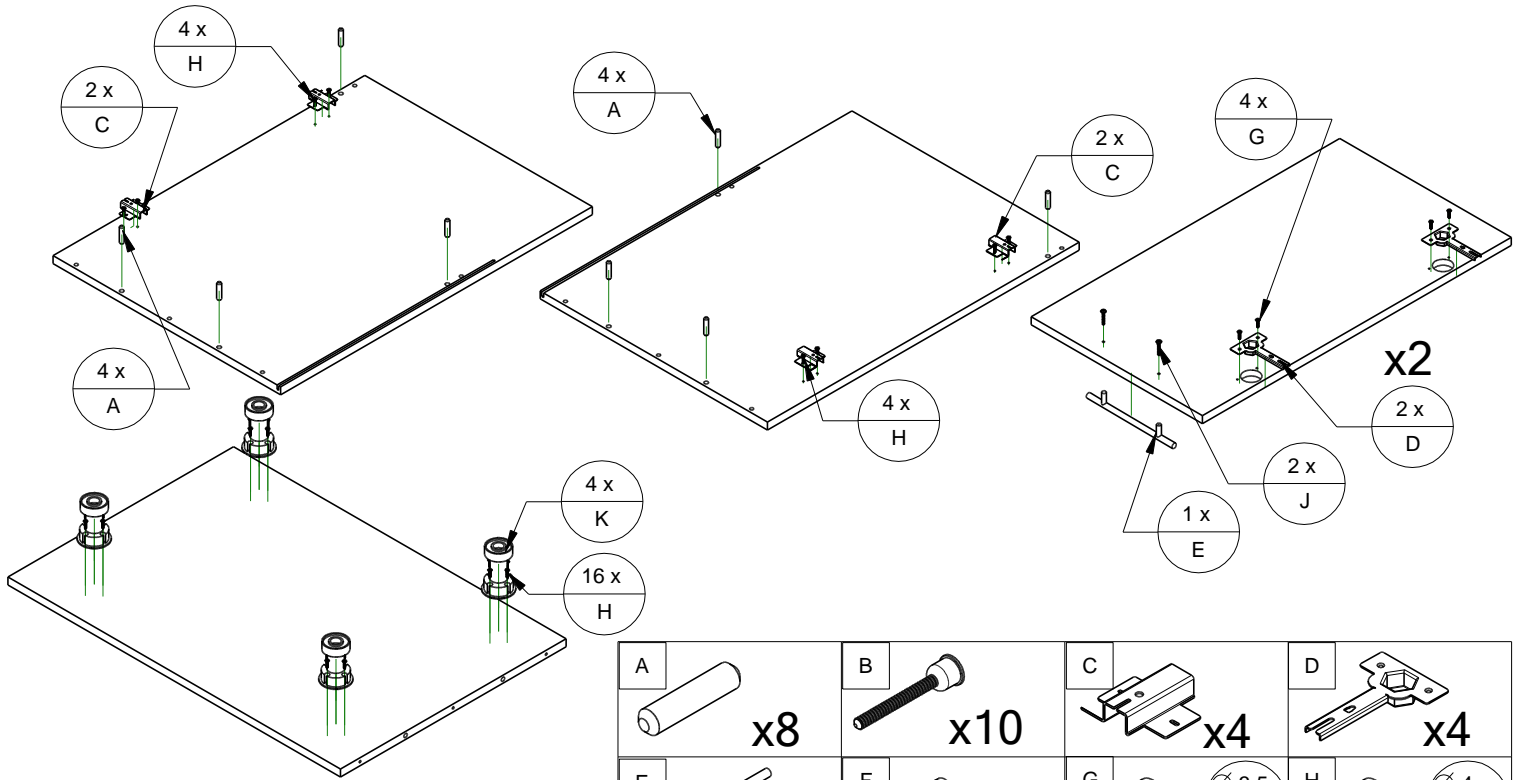
D 30/40/60 1F

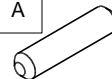
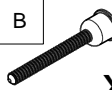
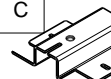
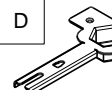

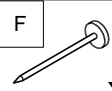
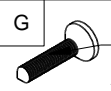
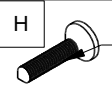
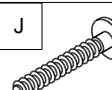
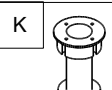
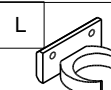


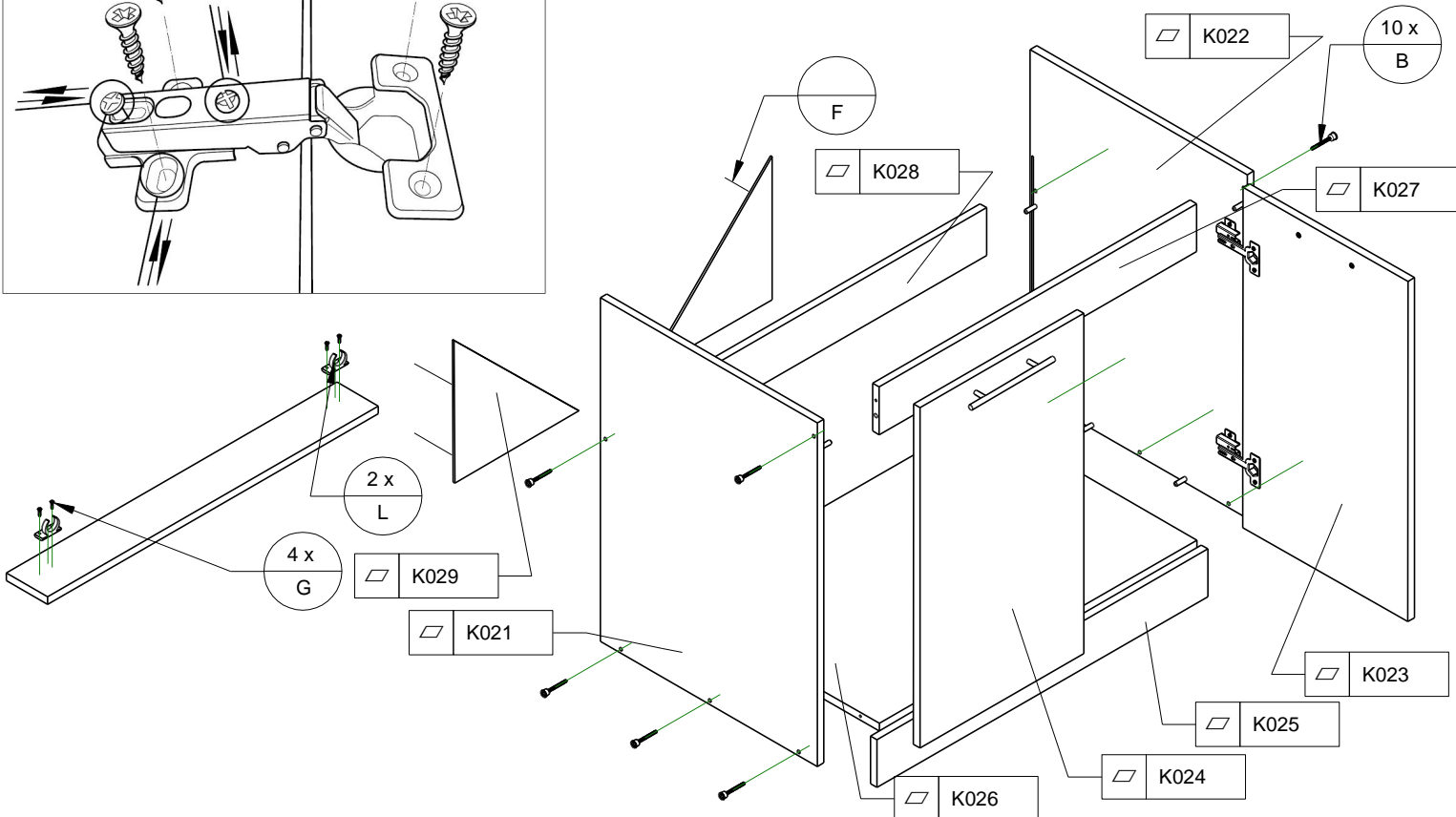
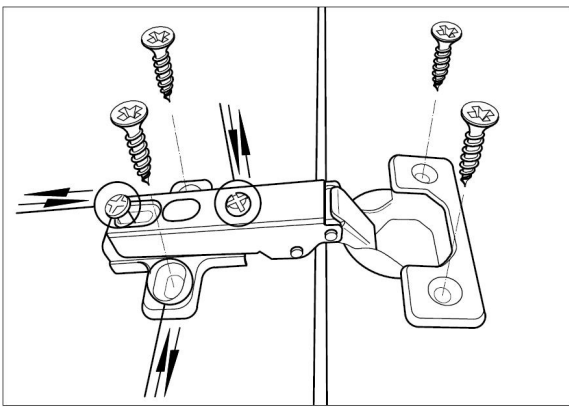
A	B	C
		
x8	x10	x2
D	E	F
		
x2	x1	x4
G	H	J
		
$\varnothing 3,5$ x8 16	$\varnothing 4$ x20 16	x2
K	L	M
		
x4	x20	x2



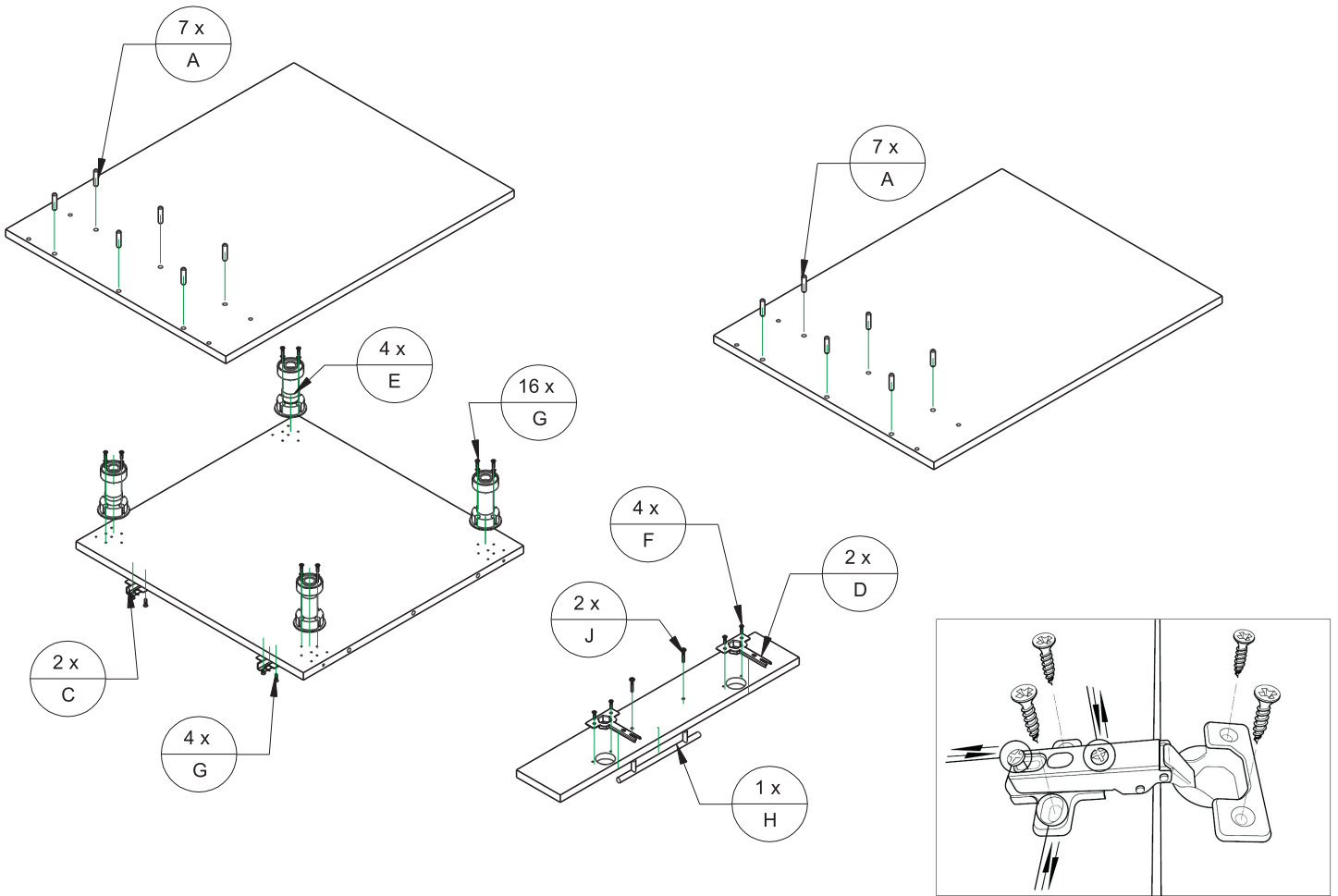
D 80zi

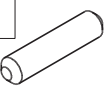


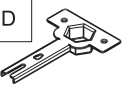

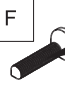

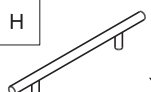
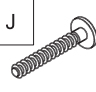


A	B	C	D
 x8	 x10	 x4	 x4
E	F	G	H
 x2	 x10	 $\varnothing 3,5$ 16 x12	 $\varnothing 4$ 16 x8
J	K	L	M
 x4	 x4	 x2	



D 60 ku



A		x14	B		x10	C		x2
D		x2	E		x4	F		$\varnothing 3,5$ 16 x4
G		$\varnothing 4$ 16 x20	H		x1	J		x2

