

CHEST FREEZER
INSTRUCTION MANUAL

MODEL NO:
CMCH 100 D
CMCH 150 D
CMCH 200 D

SAFETY



WARNING!

It is hazardous for anyone other than authorized service personnel to carry out servicing or repairs which involves the removal of covers. To avoid the risk of an electric shock do not attempt to repair this appliance yourself.

WARNING!

Risk of fire / flammable materials.



Safety tips

Do not use electrical appliances such as a hair dryer or heater to defrost your Freezer.

Containers with flammable gases or liquids can leak at low temperatures.

Do not store any containers with flammable materials, such as spray cans, fire extinguisher refill cartridges etc. in the Freezer.

Do not place carbonated or fizzy drinks in the Freezer compartment. Ice lollies can cause "Frost/Freeze burns". If consumed straight from the Freezer.

Do not remove items from the Freezer compartment if your hands are damp/wet, as this could cause skin abrasions or "Frost/Freezer burns". Bottles and cans must not be placed in the Freezer compartment as they can burst when the contents freeze.

Manufacturer's recommended storage times should be adhered to. Refer to relevant instructions.

Do not allow children to tamper with the controls or play with the Freezer. The Freezer is heavy. Care should be taken when moving it. It is dangerous to alter the specification or attempt to modify this product in any way.

Do not store inflammable gases or liquids inside your Freezer.

If the power cable is damaged, it must be replaced by the manufacturer, its service agent or similarly qualified persons in order to avoid a hazard.

This appliance can be used by children aged from 8 years and above and persons with reduced physical, sensory or mental capabilities or lack of experience and knowledge if they have been given supervision or instruction concerning use of the appliance in a safe way and understand the hazards involved. Children shall not play with the appliance. Cleaning and user maintenance shall not be made by children without supervision.

This refrigerating appliance is not intended to be used as a built-in appliance.

This appliance is intended to be used in household and similar applications such as

- staff kitchen areas in shops, offices and other working environments;
- farm houses and by clients in hotels, motels and other residential type environments;
- bed and breakfast type environments;
- catering and similar non-retail applications.

Keep ventilation openings, in the appliance enclosure or in the built-in structure, clear of obstruction.

Do not use mechanical devices or other means to accelerate the defrosting process, other than those recommended by the manufacturer.

Do not damage the refrigerant circuit.

Do not use electrical appliances inside the food storage compartments of the appliance, unless they are of type

recommended by the manufacturer.

Do not store explosive substances such as aerosol cans with a flammable propellant in this appliance.

This appliance is not intended for use by persons (including children) with reduced physical, sensory or mental capabilities, or lack of experience and knowledge, unless they have been given supervision or instruction concerning use of the appliance by a person responsible for their safety. Children should be supervised to ensure that they do not play with the appliance.

– **WARNING:** Keep ventilation openings, in the appliance enclosure or in the built-in structure, clear of obstruction.

– **WARNING:** Do not use mechanical devices or other means to accelerate the defrosting process, other than those recommended by the manufacturer.

– **WARNING:** Do not damage the refrigerant circuit.

– **WARNING:** Do not use electrical appliances inside the food storage compartments of the appliance, unless they are of the type recommended by the manufacturer.

– **WARNING:** Refrigerating appliances – in particular a refrigerator-freezer Type I – might not operate consistently (possibility of defrosting of contents or temperature becoming too warm in the frozen food compartment) when sited for an extended period of time below the cold end of the range of temperatures for which the refrigerating appliance is designed;

– **WARNING:** The necessity that, for doors or lids fitted with locks and keys, the keys be kept out of the reach of children and not in the vicinity of the refrigerating appliance, in order to prevent children from being locked inside.

– **WARNING:** The refrigerant used in your appliance and insulation materials requires special disposal procedures.

– **WARNING:** When positioning the appliance, ensure the supply cord is not trapped or damaged.

– **WARNING:** Do not locate multiple portable socket-outlets or portable power supplies at the rear of the appliance

Children aged from 3 to 8 years are allowed to load and unload refrigerating appliances. To avoid contamination of food, please respect the following instructions:

– Opening the door for long periods can cause a significant increase of the temperature in the compartments of the appliance.

– Clean regularly surfaces that can come in contact with food and accessible drainage systems.

– Clean water tanks if they have not been used for 48 h; flush the water system connected to a water supply if water has not been drawn for 5 days.

– Store raw meat and fish in suitable containers in the refrigerator, so that it is not in contact with or drip onto other food.

– Two-star frozen-food compartments are suitable for storing pre-frozen food, storing or making ice-cream and making ice cubes.

– One-, two- and three-star compartments are not suitable for the freezing of fresh food.

– If the refrigerating appliance is left empty for long periods, switch off, defrost, clean, dry, and leave the door open to prevent mould developing within the appliance.

Climate Range

The information about the climate range of the appliance is provided on the rating plate. It indicates at which ambient temperature (that is, room temperature, in which the appliance is working) the operation of the appliance is optimal (proper).

Climate range	Permissible ambient temperature
SN	from +10°C to +32°C
N	from +16°C to +32°C
ST	from +16°C to +38°C
T	from +16°C to +43°C

Note: Given the limit values of the ambient temperature range for the climate classes for which the refrigerating appliance is designed and the fact that the internal temperatures could be affected by such factors as location of the refrigerating appliance, ambient temperature and the frequency of door opening, the setting of any temperature control device might have to be varied to allow for these factors, if appropriate.

If the power cable is damaged, it must be replaced by the manufacturer, its service agent or similarly qualified persons in order to avoid a hazard.



Note: When operating in an environment other than the specified climate type (i.e., beyond the rated ambient temperature range), the appliance may not be able to maintain the desirable compartment temperatures.

Locks

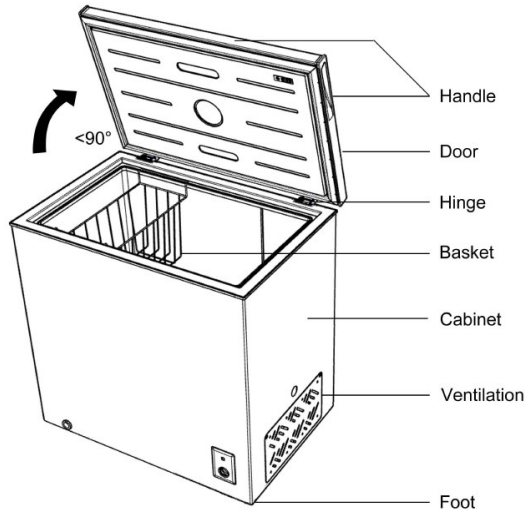
If your Refrigerator is fitted with a lock, keep the key out of reach and not in the vicinity of the appliance to prevent children

being entrapped. When disposing of an old Refrigerator, break off any old locks or latches as a safeguard.

Freon-free

The freon-free refrigerant (R600a) and the foaming insulation material (cyclopentane) that is environmentally friendly are used for the refrigerator, causing no damage to the ozone layer and having a very small impact on the global warming. R600a is flammable, and sealed in a refrigeration system, without leakage during normal use. But, in case of refrigerant leakage due to the refrigerant circuit being damaged, be sure to keep the appliance away from open flames and open the windows for ventilation as quickly as possible.

NAMES OF THE PARTS



Due to technological innovation, the product descriptions in this manual may not be completely consistent with our freezer. Details are in accordance with the real product.

⚠WARNING⚠: Never touch the interior of the Freezer Chamber or frozen foods in the compartment with wet hands as this could result in frost bite.

TRANSPORTATION INSTRUCTIONS

The appliance should be transported only in a vertical upright position. The packing as supplied must be intact during transportation.

If during the course of transport, the product has been transported horizontally, it must only be laid on its left hand side (when facing the door front) and it must not be operated for at least 4 hours to allow the system to settle after the appliance is brought back to upright position.

1. Failure to comply with the above instructions could result in damage occurring to the appliance. The manufacturer will not be held responsible if these instructions are disregarded.
2. The appliance must be protected against rain, moisture and other atmospheric influences.

IMPORTANT: Care must be taken while cleaning / carrying the appliance to avoid touching the condenser metal wires at the back of the appliance, as you might injure your fingers and hands or damage your product.

IMPORTANT: This appliance is not designed for stacking with any other appliance. Do not attempt to sit or stand on top of your appliance as it is not designed for such use. You could injure yourself or damage the appliance.

IMPORTANT: Make sure that mains cable is not caught under the appliance during and after carrying / moving the appliance, to avoid the mains cable becoming cut or damaged.”

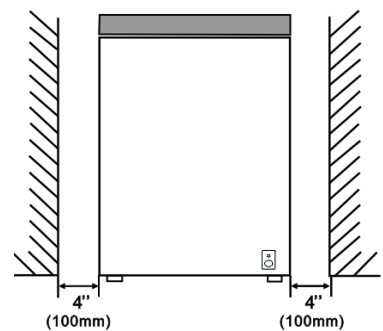
When positioning your appliance take care not to damage your flooring, pipes, wall coverings etc. Do not move the appliance by pulling by the lid or handle. Do not allow children to play with the appliance or tamper with the controls. Our company declines to accept any liability should the instructions not be followed.

INSTALLATION INSTRUCTIONS

1. If possible, avoid placing the appliance near cookers, radiators or in direct sunlight as this will cause the compressor to run for long periods. If installed next to a source of heat or refrigerator, maintain the following minimum side clearances:

From Cookers	4" (100 mm)
From Radiators	12" (300 mm)
From Fridges	4" (100 mm)

2. Make sure that sufficient room is provided around the appliance to ensure free air circulation. Ideally, A space of no less than 10cm must be left around the freezer, and ensure you allow gaps as shown in the below diagram.
3. The appliance should be located on a smooth surface.
4. It is forbidden to use the refrigerator outdoors.
5. Protection from moisture. Do not locate the freezer in moist space to avoid the metal parts rusty. And do not spray water to the freezer, otherwise it will weaken the insulation and causes current leakage.



6. Refer to "Cleaning and Care" section to prepare your appliance for use.
7. If the freezer is installed in unheated areas, garages etc., in cold weather condensation may form on the outer surfaces. This is quite normal and is not a fault. Remove the condensation by wiping with a dry cloth.

STARTING

Final Check

Before you starting to use the freezer, please check that:

1. The interior is dry and air can circulate freely at the rear.
2. Clean the interior as recommended under "CLEANING AND CARE".
3. Insert the plug into the wall socket and switch on the electricity supply, then the Red light is on. Avoid accidental disconnection by taping over the switch. Green light will glow and the compressor will start running.
4. You will hear a noise as the compressor starts up. The liquid and gases sealed within the refrigeration system may also give rise to noise, whether the compressor is running or not which is quite normal.
5. If you going to store already frozen food open the freezer lid and check that the freezer has reached the correct temperature. Then you can put in your already frozen food.
6. Do not load the appliance immediately after it is switched on. Wait until the correct storage temperature has been reached. We recommend that you check the temperature with an accurate thermometer.

Important Notes:

- If there is a power failure do not open the lid. Frozen food should not be affected if the failure lasts for less than 20 hours. If the failure is longer, then the food should be checked and eaten immediately or cooked and then refrozen.
- If you find that the lid of the chest freezer is difficult to open just after you have closed it, don't worry. This is due to the pressure difference which will equalize and allow the lid to be opened normally after a few minutes.

FREEZER OPERATION

The display panel is illustrated as the figures below:



Functions:

When the system is powered on for the first time, all LED indicators and the digital display light up, and will restore to normal display in 2s. When the digital display screen is on, it will automatically go off if no key operation within 3 minutes, with all keys locked. When the display screen is off, you can wake it up by pressing any key for the first time, and then hold down the "-" key for 3 seconds to unlock the keys.

★Fridge/Freezer

- 1) Adjustable temperature ranges: 8°C~2°C at the fridge mode and -12°C ~ -24°C at the freezer mode, which can be adjusted in a circular manner to realize the fridge/freezer function.
- 2) After keys are unlocked, the temperature display starts flashing when pressing the "+" / "-" key for the first time, with temperature values subject to change at this time.

When setting the temperature: if the temperature is set at 2°C, it will be adjusted to -12°C after you press the "-" key; if the temperature is set at -24 °C, it will be adjusted to 8°C after you press the "-" key; if the

temperature is set at -12°C , it will be adjusted to 2°C after you press the "+" key; and if the temperature is set at 8°C , it will be adjusted to -24°C after you press the "+" key.

★Fridge temperature setting

You can adjust the temperature value by pressing the "+" / "-" key. When the "+" / "-" key is pressed for the first time, the temperature value is subject to change; and when the "+" / "-" key is pressed again, the set temperature is increased/decreased by 1°C accordingly. When the temperature range is set to be $8^{\circ}\text{C}\sim 2^{\circ}\text{C}$, the fridge mode is enabled.

★Freezer temperature setting

You can adjust the temperature value by pressing the "+" / "-" key. When the "+" / "-" key is pressed for the first time, the temperature value is subject to change; and when the "+" / "-" key is pressed again, the set temperature is increased/decreased by 1°C accordingly. When the temperature range is set to be $-12^{\circ}\text{C}\sim -24^{\circ}\text{C}$, the freezer mode is enabled.

★Fast Freeze

When the "Fast Freeze" function is activated, the freezer temperature is automatically set at -32°C , and after running for 26 hours, the Fast Freeze function will get exited. Cooling down the freezer temperature in a rapid manner is beneficial to the prevention of food nutrition against loss and the preservation of freshness.

1)



When the "Fast Freeze" function is active, the temperature is displayed to be " -32°C ", which is subject to no change.

2) To enter or exit the Fast Freeze function

When keys are unlocked, you can hold down the "+" key for 3s to enter or exit the "Fast Freeze" function.

Note: If the freezer temperature is set below zero (i.e., at the freezer mode) before the fast-freeze function is enabled, it will restore to the set temperature after the "Fast Freeze" function exits; and if the freezer temperature is set above zero (i.e., at the fridge mode) before the fast-freeze function is enable, it will return to -18°C by default after the "Fast Freeze" function exits.

★Child Lock

1) When the "Child Lock" function is enabled, the temperature and function cannot be set, in order to prevent misoperation.

2) To enter the "Child Lock" function:

If no key operation within 3 minutes, the freezer "Child Lock" function will be enabled automatically.

3) To exit the "Child Lock" function:

You can hold the "-" key for 3s to exit the "Child Lock" function.

★ Power cut memory

In case of power failure, the freezer will maintain the operating state before power failure when power supply is restored.

★ Power-on delay protection

In order to protect the refrigerator compressor from being damaged in the case of short-time power failure (i.e., less than 5 minutes), the compressor will not be started immediately after it is powered on.

★ Fault alarm

In case E0 is displayed on the operation panel, it indicates fault with the freezer. Please contact the aftersales person for visiting service in such case.



Due to individual factors of the refrigerator, the actual temperature in the box may have a certain error from the set temperature, which is a normal phenomenon and does not affect the normal use of the product.

STORING FROZEN FOOD

Prepackaged commercially frozen food should be stored in accordance with the frozen food manufacturer's instructions for a freezer compartment.

To ensure that the high quality achieved by the frozen food manufacturer and the food retailer is maintained the following should be remembered:

1. Put packets in the freezer as quickly as possible after purchase.
2. Do not exceed "Use By", "Best Before" dates on the packaging.

FREEZING FRESH FOOD

Place fresh food to be frozen near the side walls to ensure fast freezing and away from already frozen food, if possible.

Never exceed this maximum capacity. Do not freeze too large a quantity at any one time.

The quality of the food is best preserved when it is frozen right through to the centre as quickly as possible.

Take special care not to mix already frozen food and fresh food.

DEFROSTING

Defrost twice a year or when a frost layer of around 7 mm (1/4") has formed.

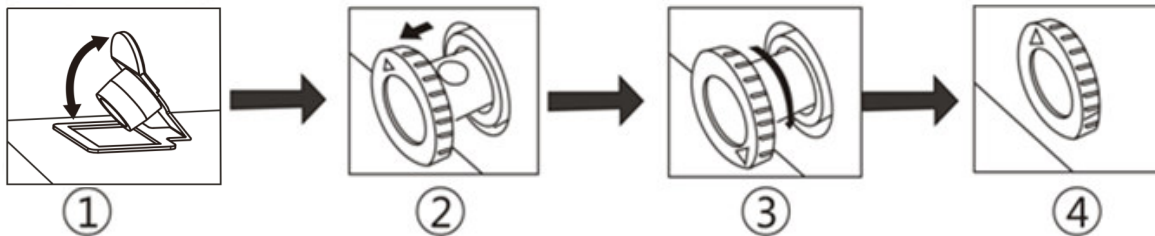
Alternatively, you may switch off the freezer at the socket outlet and pull out the mains plug.

Extract the water conduit and put in a water container.

6 hours before the defrosting, please set the thermostat knob at "-24" position to make sure the food is at the lowest temperature when you get it out. All food should be wrapped in several layers of newspaper and stored in a cool place (e.g. fridge or larder).

Remove the freezer basket. Leave the lid open. Containers of warm water may be placed carefully in the freezer to speed up the defrosting.

Never use hairdryers, electrical heaters or other such electrical appliances for defrosting. When defrosting has finished flow out defrost water which collects at the bottom of the freezer as the below diagram and dry the interior thoroughly. Switch on the Fast Freeze and leave it on for about three hours.



1. A drain outlet is designed at the bottom of the freezer liner, and when defrosting, remove its rubber-cover, then the defrosting water flows out and is discharged from the drain pipe.

2. Extract the water conduit by 20-25mm until the water hole can be seen.

3. Twist the water conduit until the arrow points downward.

4. After defrosting is done, make sure there is no more water coming out before out the water conduit in place and make the arrow point upward.

Important Notes:

- Do not use pointed or sharp-edged objects such as knives or forks to remove the frost.
- Never use hairdryers, electrical heaters or other such electrical appliances for defrosting.
- It is normal that water beads or frosts appear on the freezer collar and door gaskets in the wet weather, which will not affect the normal use. In such case, please clean it with a dry cloth in time!

CLEANING AND CARE

** We recommend that you switch off the freezer at the socket outlet and pull out the mains plug before cleaning.

** Never use any sharp abrasive instrument, soap, household cleaner, detergent and wax polish for cleaning.

** Use lukewarm water to clean the cabinet of the freezer and wipe it dry.

** Use a damp cloth wrung out in a solution of one teaspoon of bicarbonate of soda to one pint of water to clean the interior and wipe it dry.

** Excess deposit of ice should be removed on a regular basis using a plastic ice scraper available from your local store.

Large accumulation of ice will impair the performance of the freezer.

** If the freezer is not going to be used for a long period of time switch it off, remove all food, clean it and leave the lid ajar.

** Check lid seals regularly to ensure they are clean and free from food particles.

Important Notes:

Never use water wash the compressor position, wipe it with a dry cloth thoroughly after cleaning to prevent rust.

DO'S AND DON'TS

Do – Defrost food from the freezer thoroughly in a fridge or in a microwave oven following defrosting and cooking instructions.

Do – Ensure that chest freezer lid is completely closed after each use.

Do – Defrost frozen meat completely before cooking.

Do – Close the lid gently.

Do – Check contents of the freezer at regular intervals.

- Do** – Clean and defrost your freezer regularly (See “Defrosting”)
- Do** – Keep food for as short a time as possible and adhere to “Best Before”, “Use By” dates.
- Do** – Store commercially frozen food in accordance with the instructions given on the packets that you buy.
- Do** – Always choose high quality fresh food and be sure it is thoroughly clean before you freeze it.
- Do** – Prepare fresh food for freezing in small portions to ensure rapid freezing.
- Do** – Wrap all foods in aluminum foil or freezer quality plastic bags and make sure any air is excluded.
- Do** – Wrap frozen food when you buy it and put it in to the freezer as soon as possible.
- Do** – Store small items in the basket provided.
- Do** – Remove ice cream from the freezer 10-20 minutes before serving.
- Don't** – Leave the lid open for long periods as this will make the freezer more costly to run and cause excessive ice formation.
- Don't** – Use pointed sharp edged objects such as knives, forks to remove the ice.
- Don't** – Put hot food in the freezer. Let it cool down first.
- Don't** – Put liquid-filled bottles or sealed cans containing carbonated liquids into the freezer as they may burst.
- Don't** – Store poisonous or dangerous substances in the freezer. Your freezer has been designed for the storage of edible foodstuffs only.
- Don't** – Consume ice-cream and water ices direct from the freezer. The low temperature may cause ‘freezer burns’ on lips.
- Don't** – Freeze fizzy drinks.
- Don't** – Try to keep frozen food which has thawed, it should be eaten within 24 hours or cooked and refrozen.
- Don't** – Remove items from the freezer with wet hands.
- Don't** – Shut the lid with force. You will damage the appliance.
- This appliance is not intended for use by persons(including children) with reduced physical, sensory or mental capabilities, or lack of experience and knowledge, unless they have been given supervision or instruction concerning use of the appliance by a person responsible for their safety.
- Children should be supervised to ensure that they do not play with the appliance.
- Do not store explosive substances such as aerosol cans with a flammable propellant in this appliance.
- This appliance is intended to be used in household and similar applications such as staff kitchen areas in shops, offices and other working environment farm houses and by clients in hotels, motels and other residential type environments; bed and breakfast type environments catering and similar not-retail applications.
- If the supply cord is damaged, it must be replaced by manufacture, its service agent or similarly qualified persons in order to avoid a hazard.

Changing the lamp

The LED lamp is used by the refrigerator for lighting, which features low energy consumption and long service life. In case of any abnormality, please contact the after-sales personnel for visiting service. The lamps can only be replaced by the manufacturer.

Lamp type: LED light.

Energy efficiency level:F


ELECTRICAL INFORMATION

THIS APPLIANCE MUST BE EARTHED.

This appliance is fitted with a fused three pin plug to BS 1363 which will be suitable for use in all houses fitted with sockets to current specifications.

If the fitted plug is not suitable for your socket outlets, it should be cut off and carefully disposed of. To avoid a possible shock hazard, do not insert the discarded plug into a socket.

This appliance complies with the EEC Directives:

Correct Disposal of this product	
	<p>This marking indicates that this product should not be disposed with other household wastes throughout the EU. To prevent possible harm to the environment or human health from uncontrolled waste disposal, recycle it responsibly to promote the sustainable reuse of material resources. To return your used device, please use the return and collection systems or contact the retailer where the product was purchased. They can take this product for environmental safe recycling.</p>

Warnings for disposal

- ✘ Refrigerant and cyclopentane foaming material used for the refrigerator are flammable. Therefore, when the refrigerator is scrapped, it shall be kept away from any fire source and be recovered by a special recovering company with corresponding qualification other than be disposed by combustion, so as to prevent damage to the environment or any other harm.
- ✘ When the refrigerator is scrapped, disassemble the doors, and remove gasket of door and shelves; put the doors and shelves in a proper place, so as to prevent trapping of any child.

access to professional repair, such as internet webpages, addresses, contact details;

Aftersales service station list:

Address	
Contact Number	
Website	
QR code	

Note: The address or contact phone number of the service site is subject to change without prior notice. Please confirm whether the service station is a directly affiliated one of our company when requiring services.

relevant information for ordering spare parts, directly or through other channels provided by the manufacturer, importer or authorised representative;

the minimum period during which spare parts, necessary for the repair of the appliance, are available;

instruction on how to find the model information in the product database, as defined in Regulation (EU) 2019/2019 by means of a weblink that links to the model information as stored in the product database or a link to the product database and information on how to find the model identifier on the product.)

TRUHLICOVÝ MRAZÁK

NÁVOD K OBSLUZE

Č.

MODELU:

CMCH 100 D

CMCH 150 D

CMCH 200 D

BEZPEČNOST



VAROVÁNÍ!

Provádění servisu nebo oprav, které zahrnují demontáž krytů, je pro jiné než autorizované servisní pracovníky nebezpečné. Abyste předešli riziku úrazu elektrickým proudem, nepokoušejte se tento spotřebič opravovat sami.

VAROVÁNÍ!

Nebezpečí požáru / hořlavý materiál.



Tipy týkající se bezpečnosti

K odmrazování mrazáku nepoužívejte elektrické spotřebiče, jako je fén nebo topení.

Nádoby s hořlavými plyny nebo kapalinami mohou při nízkých teplotách unikat.

V mrazáku neskladujte žádné nádoby s hořlavými materiály, jako jsou spreje, náplně do hasicích přístrojů apod.

Do prostoru mrazáku nevkládejte sycené nebo perlivé nápoje. Nanuky mohou způsobit omrzliny, pokud jsou konzumovány ihned po vytažení z mrazáku.

Nevyjímejte předměty z prostoru mrazáku, pokud máte vlhké/mokré ruce, protože by mohlo dojít k odřeninám nebo omrzlinám pokožky. Lahve a plechovky se nesmí vkládat do mrazicího oddílu, protože mohou při zamrznutí obsahu prasknout.

Měly by být dodrženy doby skladování doporučené výrobcem. Viz příslušné pokyny.

Nedovolte dětem manipulovat s ovládacími prvky nebo si s mrazákem hrát. Mrazák je těžký. Při jeho přemísťování je třeba dbát zvýšené opatrnosti. Je nebezpečné měnit specifikace nebo se pokoušet tento výrobek jakkoli upravovat.

Uvnitř mrazáku neskladujte hořlavé plyny nebo kapaliny.

Pokud se poškodí napájecí kabel, výměnu musí provést výrobce, jeho servisní zástupce nebo osoba s podobnou kvalifikací, aby se vyloučilo riziko.

Tento spotřebič mohou používat děti starší osmi let a osoby s omezenými fyzickými, smyslovými nebo duševními schopnostmi nebo osoby nezkušené a neznalé za předpokladu, že mají zajištěný dohled nebo byly poučeny o bezpečném používání spotřebiče a chápou související rizika. Děti si se spotřebičem nesmějí hrát. Děti nesmějí provádět čištění a uživatelskou údržbu bez dozoru.

Tento chladicí spotřebič není určen k používání jako vestavný spotřebič.

Spotřebič je určen k použití v domácnosti a podobných místech, jako jsou

- kuchyňky pro personál v obchodech, kancelářích a na dalších pracovištích;
- chalupy a hotely, motely a další obytné objekty, kde je používají zákazníci;
- ubytovací zařízení typu penzionu se snídaní;
- cateringové služby a podobné aplikace, ve kterých se nejedná o maloobchodní prodej.

Zajistěte, aby ve skříni spotřebiče nebo v konstrukci pro vestavění nic nezakrývalo větrací otvory.

K rozmrazování nepoužívejte mechanické nástroje ani jiné prostředky. Používejte pouze prostředky doporučené výrobcem.

Neпоškodte okruh chladiva.

Uvnitř prostoru pro skladování potravin ve spotřebiči nepoužívejte elektrické spotřebiče, pokud se nejedná o spotřebiče doporučené výrobcem.

V tomto spotřebiči neskladujte výbušné látky, jako jsou nádoby s aerosolem, v nichž se používá hořlavý hnací plyn.

Tento spotřebič není určen k používání osobami (včetně dětí) s omezenými fyzickými, smyslovými nebo duševními schopnostmi nebo osobami nezkušenými a neznalými, pokud nejsou pod dohledem nebo nebyly poučeny o používání spotřebiče osobou odpovědnou za jejich bezpečnost. Děti by měly být pod dohledem, aby si se spotřebičem nehrály.

- **VAROVÁNÍ:** Zajistěte, aby ve skříni spotřebiče nebo v konstrukci pro vestavění nic nezakrývalo větrací otvory.

- **VAROVÁNÍ:** K rozmrazování nepoužívejte mechanické nástroje ani jiné prostředky. Používejte pouze prostředky doporučené výrobcem.

- **VAROVÁNÍ:** Nepoškodte okruh chladiwa.

- **VAROVÁNÍ:** Uvnitř prostoru pro skladování potravin ve spotřebiči nepoužívejte elektrické spotřebiče, pokud se nejedná o spotřebiče doporučené výrobcem.

- **VAROVÁNÍ:** Jestliže se chladicí spotřebiče (zejména chladnička s mrazákem typu I) používají delší dobu pod spodní hranicí rozsahu teplot, pro které jsou určeny, jejich provoz nemusí být konzistentní (může docházet k rozmrazování obsahu nebo příliš velkému nárůstu teploty v prostoru pro zmrazené potraviny);

- **VAROVÁNÍ:** Jestliže jsou dvířka nebo víka opatřena zámky, je nutné uchovávat klíče mimo dosah dětí a nikoli v blízkosti chladicího spotřebiče, aby se zamezilo uzamknutí dětí uvnitř spotřebiče.

- **VAROVÁNÍ:** Chladiwo a izolační materiály použité ve spotřebiči vyžadují speciální postupy likvidace.

- **VAROVÁNÍ:** Při umísťování spotřebiče se ujistěte, že napájecí kabel není zachycený nebo poškozený.

- **VAROVÁNÍ:** Neumísťujte za spotřebič přenosné rozbočovací zásuvky ani prodlužovací kabely

Děti ve věku od tří do osmi let smějí vkládat potraviny do spotřebičů a vyjímát je z nich. Dodržujte následující pokyny, aby nedošlo ke kontaminaci potravin:

- Otevírání dvířek na delší dobu může významně zvýšit teplotu v jednotlivých prostorech spotřebiče.

- Pravidelně čistěte povrchy, které mohou přijít do styku s potravinami, a přístupné vypouštěcí systémy.

- Pokud se nádrže na vodu nepoužívaly po dobu 48 h, vyčistěte je. Pokud nebyla vypuštěna voda po dobu 5 dnů, propláchněte vodní systém připojený k přívodu vody.

- Syrové maso a ryby skladujte uvnitř mrazáku ve vhodných nádobách, aby se nedostaly do styku s jinými potravinami, nebo z nich neodkapávala šťáva na jiné potraviny.

- Prostory pro zmrazené potraviny označené dvěma hvězdičkami jsou vhodné k ukládání mražených potravin, ukládání nebo výrobu zmrzliny a výrobu ledových kostek.

- Prostory označené jednou, dvěma a třemi hvězdičkami nejsou vhodné k zmrazování čerstvých potravin.

- Pokud je chladicí spotřebič ponechán delší dobu prázdný, vypněte ho, odmrazte, vyčistěte, vysušte a nechte otevřená dvířka, aby se zamezilo vzniku plísní uvnitř spotřebiče.

Klimatický rozsah

Informace o klimatickém rozsahu spotřebiče jsou uvedeny na výrobním štítku. Uvádí, při jaké teplotě okolí (tj. teplotě místnosti, ve které spotřebič pracuje) je provoz spotřebiče optimální (správný).

Klimatický rozsah	Přípustná okolní teplota
SN	+10 °C až +32 °C
N	+16 °C až +32 °C
ST	+16 °C až +38 °C
T	+16 °C až +43 °C

Poznámka: Vzhledem k mezním hodnotám rozsahu okolní teploty pro klimatické třídy, pro které je chladicí spotřebič určen, a ke skutečnosti, že vnitřní teploty mohou být ovlivněny takovými faktory, jako je umístění chladicího spotřebiče, okolní teplota a četnost otevírání dveří, může být pro zohlednění těchto faktorů nutné změnit nastavení jakéhokoli zařízení pro regulaci teploty.

Pokud se poškodí napájecí kabel, výměnu musí provést výrobce, jeho servisní zástupce nebo osoba s podobnou kvalifikací, aby se vyloučilo riziko.



Poznámka: Při provozu v jiném než určeném typu klimatu (tj. mimo jmenovitý rozsah okolní teploty) nemusí být spotřebič schopen udržet žádanou teplotu v prostoru.

Zámky

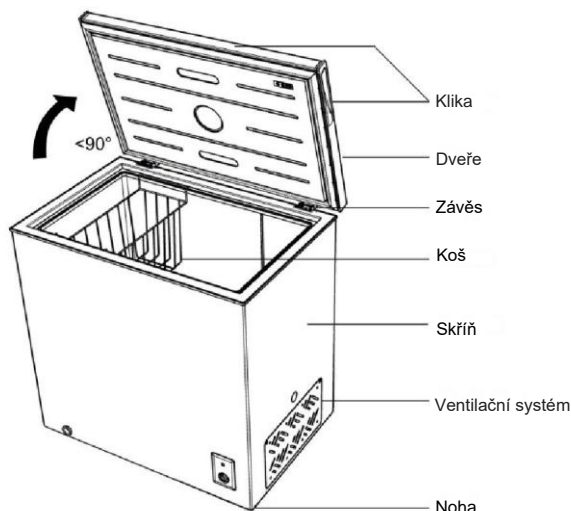
Pokud je mrazák vybaven zámkem, uchovávejte klíč mimo dosah spotřebiče a mimo jeho blízkost, aby nedošlo k uvěznění dětí.

Při likvidaci starého mrazáku z bezpečnostních důvodů rozbijte všechny staré zámky a západky.

Bezfreonové

V mrazáku se používá chladivo bez freonů (R600a) a pěnový izolační materiál (cyklopentan), který je šetrný k životnímu prostředí, nepoškozuje ozónovou vrstvu a má velmi malý vliv na globální oteplování. R600a je hořlavý a uzavřený v chladicím systému, aniž by při běžném používání unikal. V případě úniku chladiva v důsledku poškození chladicího okruhu se však ujistěte, že spotřebič není v dosahu otevřeného ohně a co nejdříve otevřete okna pro větrání.

NÁZVY DÍLŮ



Kvůli technickými inovacím nemusí popis výrobku v této příručce zcela odpovídat vašemu mrazáku. Podrobnosti odpovídají skutečnému výrobku.

VAROVÁNÍ: Nikdy se nedotýkejte vnitřku mrazicího prostoru nebo zmrazených potravin v něm mokřými rukama, protože by kontakt mohl způsobit omrzliny.

POKYNY PRO PŘEPRAVU

Spotřebič se smí přepravovat pouze ve svislé poloze. V průběhu přepravy se nesmí poškodit dodaný obal.

Pokud je v průběhu přepravy nutné otočit produkt do vodorovné polohy, musí být položen na levou stranu (při pohledu zepředu a po otočení do svislé polohy se nesmí zapnout dříve než za 4 hodiny, aby se systém usadil).

1. Pokud výše uvedený pokyn nedodržíte, může dojít k poškození spotřebiče. Pokud tyto pokyny nebudou dodrženy, výrobce nenese žádnou odpovědnost.

2. Spotřebič je nutné chránit před deštěm, vlhkostí a dalšími atmosférickými vlivy.

DŮLEŽITÉ: Při čištění/přemísťování spotřebiče musíte dát pozor, abyste se nedotkli kovových drátů výměníku tepla na zadní straně spotřebiče. Mohli byste si poranit prsty nebo ruku, nebo poškodit spotřebič.

DŮLEŽITÉ: Spotřebič není konstruován pro umístění na jiném spotřebiči. Nepokoušejte se sedat si nebo stoupat na spotřebič. Není na to konstruován. Mohli byste se zranit nebo poškodit spotřebič.

DŮLEŽITÉ: Při přenášení/přesouvání spotřebiče dbejte na to, aby se kabel napájení nezachytil pod spotřebičem. Mohlo by dojít k přerušování nebo poškození kabelu napájení.

Při umísťování spotřebiče dbejte na to, abyste nepoškodili podlahu, potrubí, obklady stěn atd. Nepřemisťujte spotřebič tahem za víko nebo kliku. Nenechte děti, aby si se spotřebičem hrály nebo manipulovaly s ovládacími prvky. Pokud nebudou tyto pokyny dodrženy, naše společnost se zříká veškeré odpovědnosti.

POKYNY PRO INSTALACI

1. Pokud je to možné, neumísťujte spotřebič v blízkosti sporáků, radiátorů nebo na přímém slunečním světle, protože by to způsobilo běh kompresoru po dlouhou dobu. Pokud je spotřebič umístěn poblíž zdroje tepla nebo mrazáku, dodržujte minimální vzdálenost po stranách:

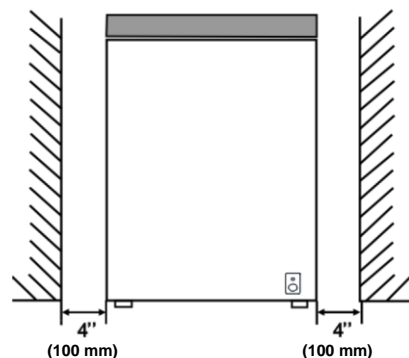
Od sporáků	4" (100 mm)
Od radiátorů	12" (300 mm)
Od chladniček	4" (100 mm)

2. Dbejte na to, aby byl kolem spotřebiče dostatečný prostor pro volnou cirkulaci vzduchu. V ideálním případě je okolo mrazáku prostor alespoň 10 cm a zajistěte dodržení mezer podle schématu uvedeného níže.

3. Spotřebič by měl stát na hladkém povrchu.

4. Je zakázáno používat mrazák ve venkovním prostředí.

5. Ochrana před vlhkostí. Neumisťujte spotřebič do vlhkých prostor. Mohlo by dojít ke korozi kovových částí. Na mrazák nestříkejte vodu. Došlo by k poškození izolace a probíjení.



6. Příprava spotřebiče k používání je popsána v části „Čištění a péče“.
7. Pokud je spotřebič umístěn v nevytápěných prostorách, např. v garáži, může v chladu docházet ke kondenzaci vody na vnějších površích. Jedná se o normální jev a ne o vadu. Odstraňte kondenzovanou vodu suchým hadrem.

SPUŠTĚNÍ

Závěrečná kontrola

Před začátkem používání mrazáku proveďte následující kontroly:

1. Vnitřek je suchý a kolem zadní strany může volně cirkulovat vzduch.
2. Vyčistěte vnitřek podle doporučení v části „ČIŠTĚNÍ A PÉČE“.
3. Zastrčte zástrčku do zásuvky a zapněte napájení elektrickým proudem. Rozsvítí se červená kontrolka. Zabraňte náhodnému vypnutí přelepením vypínače páskou. Zelená kontrolka se rozsvítí a rozběhne se kompresor.
4. Když se rozběhne kompresor, uslyšíte ho. Kapalina a plyny uzavřené v chladicím systému mohou rovněž způsobovat hluk, ať už je kompresor v provozu, nebo ne, což je zcela normální.
5. Pokud chcete uložit již zmrazené potraviny, otevřete víko mrazáku a zkontrolujte, že mrazák dosáhl správné teploty. Poté můžete vložit zmrazené potraviny.
6. Nenaplňujte spotřebič okamžitě po zapnutí. Vyčkejte, až je dosaženo správné teploty pro uložení. Doporučujeme zkontrolovat teplotu přesným teploměrem.

Důležitá upozornění:

- Pokud dojde k výpadku proudu, neotevírejte víko. Zmražené potraviny by neměly být ovlivněny, pokud bude výpadek proudu kratší než 20 hodin. Jestliže trvá výpadek déle, je nutné potraviny zkontrolovat a okamžitě zkonsumovat, nebo uvařit a potom opět zmrazit.
- Pokud zjistíte, že se víko truhlicového mrazáku špatně otevírá hned po zavření, nezoufejte. Je to způsobeno rozdílem tlaku, který se vyrovná a za několik minut budete moci víko normálně otevřít.

PROVOZ MRAZÁKU

Panel displeje je znázorněn na obrázcích níže:



Funkce:

Při prvním zapnutí systému se rozsvítí všechny indikátory LED a digitální displej a za 2 s se obnoví normální zobrazení. Když je obrazovka digitálního displeje zapnutá, automaticky se vypne, pokud během 3 minut nedojde k žádnému stisknutí tlačítka, přičemž všechna tlačítka seablokují. Když je obrazovka vypnutá, můžete ji probudit prvním stisknutím libovolné klávesy a poté podržením klávesy „-“ po dobu 3 sekund, čímž se klávesy odemknou.

★ Chladnička/mrazák

1) Nastavitelné teplotní rozsahy: 8 °C ~ 2 °C v režimu chladničky a -12 °C ~ -24 °C v režimu mrazáku, které lze nastavit kruhovým způsobem pro realizaci funkce chladničky/mrazáku.

2) Po odblokování tlačítek začne při prvním stisknutí tlačítka „+“ / „-“ blikat ukazatel teploty, přičemž hodnoty teploty se v tomto okamžiku mohou změnit.

Při nastavování teploty: pokud je teplota nastavena na 2 °C, bude po stisknutí tlačítka „-“ upravena na -12 °C; pokud je teplota nastavena na -24 °C, bude po stisknutí tlačítka „-“ upravena na 8 °C; pokud je teplota nastavena na -12 °C, bude po stisknutí tlačítka „+“ upravena na 2 °C; a pokud je teplota nastavena na 8 °C, bude po stisknutí tlačítka „+“ upravena na -24 °C.

★ Nastavování teploty chladničky


Hodnotu teploty můžete upravit stisknutím tlačítka „+“ / „-“. Při prvním stisknutí tlačítka „+“ / „-“ se hodnota teploty změní a při dalším stisknutí tlačítka „+“ / „-“ se nastavená teplota zvýší/sníží o 1 °C. Pokud je teplotní rozsah nastaven na 8 °C~2 °C, je povolen režim chladničky.

★ Nastavování teploty mrazáku

Hodnotu teploty můžete upravit stisknutím tlačítka „+“ / „-“. Při prvním stisknutí tlačítka „+“ / „-“ se hodnota teploty změní a při dalším stisknutí tlačítka „+“ / „-“ se nastavená teplota zvýší/sníží o 1 °C. Pokud je teplotní rozsah nastaven na -12 °C~-24 °C, je povolen režim mrazáku.

★ Rychlé zmrazení

Po aktivaci funkce „Rychlé zmrazení“ se teplota mrazáku automaticky nastaví na -32 °C a po 26 hodinách provozu se funkce Rychlé mrazení ukončí. Rychlé zchlazení teploty v mrazáku je prospěšné pro prevenci ztráty nutriční hodnoty potravin a pro zachování jejich čerstvosti.

- 1)  Když je aktivní funkce „Rychlé zmrazení“, zobrazí se teplota „- 32 °C“, kterou nelze změnit.
- 2) Vstup do funkce Rychlé zmrazení nebo její ukončení
Když jsou klávesy odemčené, můžete podržením klávesy „+“ po dobu 3 s vstoupit do funkce „Rychlé zmrazení“ nebo ji ukončit.

Poznámka: Pokud je teplota mrazáku nastavena pod nulu (tj. v režimu mrazáku) před aktivací funkce rychlého zmrazení, obnoví se po ukončení funkce „Rychlé zmrazení“ na nastavenou teplotu; a pokud je teplota mrazáku nastavena nad nulu (tj. v režimu chladničky) před aktivací funkce rychlého zmrazení, vrátí se po ukončení funkce „Rychlé zmrazení“ na výchozí teplotu -18 °C.

★ Dětský zámek

- 1) Když je aktivována funkce „Dětský zámek“, nelze nastavit teplotu ani funkci, aby se zabránilo nesprávné obsluze.
- 2) Spuštění funkce „Dětský zámek“:
Pokud během 3 minut nedojde k žádnému stisknutí tlačítka, automaticky se aktivuje funkce „Dětský zámek“ mrazáku.
- 3) Ukončení funkce „Dětský zámek“:
Funkci „Dětský zámek“ ukončíte podržením tlačítka „-“ po dobu 3 s.

★ Paměť pro případ výpadku napájení

V případě výpadku napájení bude po jeho obnovení mrazák ve stejném provozním stavu, v jakém byl před výpadkem.

★ Ochrana s odloženým zapnutím

V případě krátkodobého výpadku napájení (tj. kratšího než 5 minut) se kompresor mrazáku nespustí ihned po zapnutí, aby se zamezilo jeho poškození.

★ Alarm při závadě

Pokud se na ovládacím panelu zobrazí E0, znamená to poruchu mrazáku. V takovém případě se obraťte na poprodejní servis.



Vzhledem k individuálním faktorům mrazáku může mít skutečná teplota v boxu určitou odchylku od nastavené teploty, což je normální jev a nemá vliv na běžné používání výrobku.

UCHOVÁVÁNÍ ZMRAZENÝCH POTRAVIN

Zabalené a v zmrazeném stavu zakoupené potraviny musí být skladovány v souladu s pokyny výrobce zmrazené potraviny pro prostor mrazáku.

Aby byla udržena vysoká kvalita zmrazené potraviny, kterou dosáhl její výrobce a prodejce, je nutné dodržovat následující pravidla:

1. Vložte zmrazené potraviny do mrazáku co nejdříve po nákupu.
2. Dodržujte data „Spotřeba do“, „Datum spotřeby“ uvedené na obalu.

ZMRAZOVÁNÍ ČERSTVÝCH POTRAVIN

Uložte čerstvé potraviny, které se mají zmrazit, blízko bočních stěn, aby se rychle zmrazily a byly dále od již zmrazených potravin. Tento výkon nikdy nepřekračujte. Nezmrazujte příliš mnoho potravin najednou.

Kvalita potravin se nejlépe zachová, když jsou zcela zmrazeny co nejrychleji to jde.

Zvláštní pozornost věnujte tomu, aby se nemíchaly zmrazené a čerstvé potraviny.

ODMRAZOVÁNÍ

Rozmrazujte dvakrát do roka, když vrstva námrazy dosáhne tloušťky asi 7 mm.

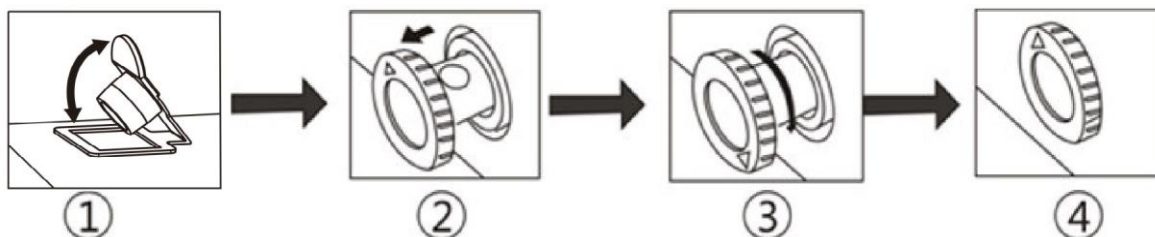
Můžete také vypnout napájení mrazáku a vytáhnout kabel napájení.

Vyjměte potrubí vody a vložte jej do nádoby s vodou.

6 hodin před rozmrazováním nastavte knoflík termostatu do polohy „-24“, aby byly potraviny zmrazeny na nejnižší možnou teplotu. Všechny potraviny je nutné zabalit do několika vrstev novin a uložit na chladném místě (chladnička nebo police).

Odstraňte koš mrazáku. Nechte víko otevřené. Rozmrazování lze urychlit vložením nádob s teplou vodou do mrazáku.

K odmrazování nikdy nepoužívejte vysoušeče vlasů, elektrické ohřívače a jiné podobné elektrické spotřebiče. Po dokončení rozmrazování odstraňte vodu která se nahromadila na dně mrazáku podle níže uvedeného nákresu a pečlivě vytřete vnitřek do sucha. Zapněte rychle mrazení a nechte jej zapnuté po dobu tří hodin.



1. Ve spodní části vložky mrazáku je odtokový otvor, při odmrazování se odstraní jeho pryžový kryt a odmrazená voda vytéká ven a je odváděna odtokovou trubicí.
2. Vytáhněte vedení vody asi o 20 až 25 mm, aby byl vidět otvor pro výtok vody.
3. Otočte vedení vody tak, aby šipka směřovala dolů.
4. Po dokončení rozmrazování, před uložením vedení vody a otočením šipkou nahoru, zkontrolujte, že již nevytéká žádná voda.

Důležitá upozornění:

- K odstraňování námrazy nepoužívejte špičaté nebo ostré předměty.
- K odmrazování nikdy nepoužívejte vysoušeče vlasů, elektrické ohřívače a jiné podobné elektrické spotřebiče.
- Je normální, že se za vlhkého počasí na límci mrazáku a těsnění dvířek objevují kuličky vody nebo námrazy, které nemají vliv na běžné používání. V takovém případě jej včas vyčistěte suchým hadříkem!

ČIŠTĚNÍ A PÉČE

** Doporučujeme vypnout napájení mrazáku a vytáhnout kabel napájení.

** Při čištění nikdy nepoužívejte žádný ostrý nebo drsný nástroj, mýdlo, čisticí prostředek pro domácnost, rozpouštědlo nebo voskové leštěnky.

** Na čištění interiéru mrazáku použijte vlažnou vodu a poté mrazák vytřete do sucha.

** Na čištění interiéru použijte vyždímaný hadr namočený do roztoku jedné lžičky sody v půl litru vody.

** Velké nánosy ledu musí být pravidelně odstraňovány plastovou škrabkou na led, kterou běžně zakoupíte v obchodě.

Velké nánosy ledu sníží výkon mrazáku.

** Pokud nebude mrazák používán po delší dobu, odstraňte všechny potraviny, vyčistěte mrazák a nechte víko otevřené.

** Pravidelně kontrolujte těsnění víka, zda je čisté a nejsou na něm zbytky potravin.

Důležitá upozornění:

Okolí kompresoru nikdy nemyjte vodou. Po vyčištění, abyste zabránili korozi, důkladně je otřete suchým hadrem.

CO DĚLAT A ČEMU SE VYHNOUT

Ano – Rozmrazovat potraviny důkladně v chladničce nebo mikrovlnné troubě podle pokynů pro rozmrazování a vaření.

Ano – Po každém použití zkontrolovat, že je víko truhlicového mrazáku důkladně uzavřeno.

Ano – Před vařením zmrazené potraviny dokonale rozmrazit.

Ano – Opatrně zavírat víko.

Ano – Pravidelně kontrolovat obsah mrazáku.

- Ano** – Pravidelně mrazák čistit a odmrazovat (Viz „Odmrazování“)
- Ano** – Skladovat potraviny co nejkratší dobu a dodržovat data „Spotřebujte do“ a „Datum spotřeby“.
- Ano** – Nakoupené zmrazené potraviny uchovávat v souladu s pokyny na obalech nakoupených potravin.
- Ano** – Vždy vybírat vysoce kvalitní čerstvé potraviny a před zmrazením je dokonale očistit.
- Ano** – Připravit potraviny k mrazení v malých porcích, aby se rychle zmrazily.
- Ano** – Všechny potraviny zabalit do alobalu nebo plastových sáčků pro mrazení a vytlačit z obalu všechny vzduch.
- Ano** – Po nakoupení potraviny zabalit a rychle vložit do mrazáku.
- Ano** – Malé položky skladovat v dodaném koši.
- Ano** – Zmrzlinu vyndat z lednice 10 až 20 minut před podáváním.
- Ne** – Nechávat víko dlouho otevřené, protože to prodražuje provoz mrazáku a způsobuje nadměrnou tvorbu ledu.
- Ne** – Pro odstraňování námrazy používat špičaté nebo ostré předměty.
- Ne** – Vkládat do mrazáku horké potraviny. Nechte je nejprve vychladnout.
- Ne** – Vkládat do mrazáku lahve s kapalinami nebo utěsněné plechovky obsahující kyslíčkem uhličitým sycené kapaliny. Mohlo by dojít k jejich prasknutí.
- Ne** – Ukládat do mrazáku jedovaté a nebezpečné látky. Váš mrazák byl navržen pouze pro skladování jedlých potravin.
- Ne** – Konzumovat zmrzlinu a ledové kostky hned po vyndání z mrazáku. Nízká teplota může způsobit omrzliny na rtech.
- Ne** – Mrazit šumivé nápoje.
- Ne** – Snažit se skladovat potraviny, které jednou rozmrzly. Takové potraviny je nutné spotřebovat do 24 hodin, nebo je uvařit a zmrazit.
- Ne** – Vyndávat potraviny z mrazáku mokřýma rukama.
- Ne** – Víko zavírat silou. Došlo by k poškození spotřebiče.
- Tento spotřebič není určen k používání osobami (včetně dětí) s omezenými fyzickými, smyslovými nebo duševními schopnostmi nebo osobami nezkušenými a neznalými, pokud nejsou pod dohledem nebo nebyly poučeny o používání spotřebiče osobou odpovědnou za jejich bezpečnost.
 - Děti by měly být pod dohledem, aby si se spotřebičem nehrály.
 - V tomto spotřebiči neskladujte výbušné látky, jako jsou nádoby s aerosolem, v nichž se používá hořlavý hnací plyn.
 - Tento spotřebič je určen k používání v domácnostech a podobných oblastech, jako jsou obchody, kanceláře a další pracoviště, farmy a zákazníci v hotelech, motelech a dalších obytných objektech, ubytovací zařízení typu penzionu se snídaní, cateringové služby a podobné aplikace, ve kterých se nejedná o maloobchodní prodej.
 - Pokud se poškodí napájecí kabel, výměnu musí provést výrobce, jeho servisní zástupce nebo osoba s podobnou kvalifikací, aby se vyloučilo riziko.

Výměna žárovky

Mrazák používá k osvětlení žárovku LED, která má nízkou spotřebu energie a dlouhou životnost. V případě jakýchkoli abnormalit se obraťte na poprodejní servis. Žárovky může vyměnit pouze výrobce.

Typ žárovky: Světlo LED.

Třída energetické účinnosti: F

ELEKTRICKÉ ÚDAJE

TENTO SPOTŘEBIČ MUSÍ BÝT UZEMNĚNÝ.

Tento spotřebič je vybaven tříkólikovou zástrčkou s pojistkou podle normy BS 1363, která je vhodná pro použití ve všech domech vybavených zásuvkami podle současných specifikací.

Pokud namontovaná zástrčka není vhodná pro vaši zásuvku, je třeba ji odříznout a pečlivě zlikvidovat. Abyste předešli možnému nebezpečí úrazu elektrickým proudem, nezasouvejte vyřazenou zástrčku do zásuvky.

Tento spotřebič je v souladu se směrnicemi EHS:

Správná likvidace tohoto produktu



Tato značka indikuje, že tento výrobek nesmí být v EU likvidován s ostatním domovním odpadem. Aby nedošlo k poškození životního prostředí či zdraví osob v důsledku nekontrolované likvidace odpadu, odpovědně spotřebič zlikvidujte, čímž podpoříte udržitelné opětovné využití materiálních zdrojů. Chcete-li spotřebič vrátit, využijte systémy pro vracení a sběr nebo se obraťte na prodejce, od kterého jste spotřebič zakoupili. Ti mohou zajistit ekologickou recyklaci spotřebiče.

Varování týkající se likvidace

- ※ Chladivo a pěnové materiály s cyklopentanem, které se používají ve spotřebiči, jsou hořlavé. Proto je nutné uchovávat likvidovaný mrazák mimo dosah jakéhokoli zdroje ohně a předat jej k recyklaci specializované recyklační společnosti s odpovídající kvalifikací, která neprovádí likvidaci spalováním, aby se předešlo poškození životního prostředí nebo nějaké jiné újmě.
- ※ Po vyřazení mrazáku demontujte dveře a odstraňte těsnění dveří a polic; dveře a police umístěte na vhodné místo, aby nedošlo k uvěznění dítěte.

přístup k odborným opravám, jako jsou internetové stránky, adresy, kontaktní údaje;

Seznam poprodejních servisních stanic:

Adresa	
Kontaktní číslo	
Webové stránky	
QR kód	

Poznámka: Adresa nebo kontaktní telefonní číslo servisního místa se mohou změnit bez předchozího upozornění. Při poptávce po službách se prosím ujistěte, zda je servisní stanice přímo přidružená k naší společnosti.

příslušné informace pro objednání náhradních dílů, a to přímo nebo prostřednictvím jiných kanálů poskytovaných výrobcem, dovozcem nebo autorizovaným zástupcem;

minimální doba, po kterou jsou k dispozici náhradní díly nezbytné pro opravu spotřebiče;

návod, jak najít informace o modelu v databázi výrobků, jak je definována v nařízení (EU) 2019/2019, prostřednictvím internetového odkazu, který odkazuje na informace o modelu uložené v databázi výrobků, nebo odkazu na databázi výrobků a informace o tom, jak najít identifikátor modelu na výrobku.)

KÜHLTRUHE
BEDIENUNGSHANDBUCH

MODEL-NR.:

CMCH 100 D

CMCH 150 D

CMCH 200 D

SICHERHEIT



WARNUNG!

Es ist gefährlich, wenn andere Personen als autorisiertes Servicepersonal Wartungs- oder Reparaturarbeiten durchführen, bei denen die Abdeckungen entfernt werden müssen. Versuchen Sie nicht, das Gerät selbst zu reparieren, um das Risiko eines Stromschlags zu vermeiden.

WARNUNG!

Brandgefahr/entzündliches Material.



Sicherheitstipps

Verwenden Sie zum Abtauen Ihres Gefrierschranks keine elektrischen Geräte wie Haartrockner oder Heizgeräte.

Behälter mit brennbaren Gasen oder Flüssigkeiten können bei niedrigen Temperaturen auslaufen.

Bewahren Sie keine Behälter mit brennbaren Materialien wie Spraydosen, Nachfüllpatronen für Feuerlöscher usw. im Gefrierschrank auf.

Stellen Sie keine kohlenensäurehaltigen oder sprudelnden Getränke in das Gefrierfach. Eislutscher können „Frost-/Gefrier-verbrennungen“ verursachen. Daher den Verzehr direkt nach der Entnahme aus dem Gefrierschrank vermeiden.

Nehmen Sie keine Gegenstände aus dem Gefrierfach, wenn Ihre Hände feucht/nass sind, da dies zu Hautabschürfungen oder „Frost-/Gefrier-verbrennungen“ führen kann. Flaschen und Dosen dürfen nicht in das Gefrierfach gestellt werden, da sie platzen können, wenn der Inhalt gefriert.

Die vom Hersteller empfohlenen Lagerzeiten sollten eingehalten werden. Siehe die entsprechenden Anweisungen.

Erlauben Sie Kindern nicht, an den Bedienelementen oder mit dem Gefriergerät zu spielen. Die Gefriertruhe ist schwer. Beim Transport ist Vorsicht geboten. Es ist gefährlich, die Spezifikationen zu ändern oder zu versuchen, dieses Produkt in irgendeiner Weise umzubauen.

Lagern Sie keine brennbaren Gase oder Flüssigkeiten in Ihrem Gefriergerät.

Wenn das Stromkabel beschädigt ist, muss es vom Hersteller oder von seinem Service-Mitarbeiter oder einer gleichwertig qualifizierten Person ausgetauscht werden, um jegliches Risiko zu vermeiden.

Dieses Gerät kann von Kindern ab 8 Jahren und Personen mit eingeschränkten körperlichen, sensorischen oder geistigen Fähigkeiten oder mangelnder Erfahrung und mangelndem Wissen benutzt werden, wenn diese in die sichere Bedienung des Geräts eingewiesen wurden oder beaufsichtigt werden und die damit verbundenen Gefahren verstanden haben. Kinder dürfen nicht mit dem Gerät spielen. Reinigung und Pflege darf nicht von Kindern ohne Aufsicht erfolgen.

Dieses Kühlgerät ist nicht zur Verwendung als Einbaugerät bestimmt.

Dieses Gerät ist ausschließlich für den Hausgebrauch und vergleichbare Verwendung bestimmt, wie:

- Personalküchen in Geschäften, Büros und anderen Arbeitsumgebungen,
- in landwirtschaftlichen Betrieben, für die Nutzung durch Gäste von Hotels, Pensionen und ähnlichen Unterkünften,
- Bed & Breakfast (B&B),
- Catering-Dienste und ähnliche, nicht kommerzielle Zwecke.

Lüftungsschlitze am Gehäuse des Geräts oder in der Einbauöffnung freihalten.

Keine mechanischen oder sonstigen Hilfsmittel verwenden, um den Abtauvorgang zu beschleunigen, es sei denn, dies ist vom Hersteller so empfohlen.

Den Kühlkreislauf nicht beschädigen.

Im Inneren des Haushaltsgeräts keine elektrischen Geräte benutzen, es sei denn, sie sind vom Hersteller empfohlen.

Keine explosiven Substanzen mit entzündlichen Treibgasen, wie Sprühdosen, in diesem Gerät lagern.

Das Gerät ist nicht zur Nutzung durch Personen (einschließlich Kindern) mit eingeschränkten körperlichen, sensorischen oder geistigen Fähigkeiten oder mangelnder Erfahrung und mangelndem Wissen bestimmt, sofern diese nicht in die Bedienung des Geräts durch eine Person eingewiesen wurden, die für ihre Sicherheit verantwortlich ist oder von einer solchen Person beaufsichtigt werden. Kinder sollten beaufsichtigt werden, um sicherzustellen, dass sie nicht mit dem Gerät spielen.

- **WARNUNG:** Lüftungsschlitze am Gehäuse des Geräts oder in der Einbauöffnung freihalten.
- **WARNUNG:** Keine mechanischen oder sonstigen Hilfsmittel verwenden, um den Abtauvorgang zu beschleunigen, es sei denn, dies ist vom Hersteller so empfohlen.
- **WARNUNG:** Den Kühlkreislauf nicht beschädigen.
- **WARNUNG:** Im Inneren des Haushaltsgeräts keine elektrischen Geräte benutzen, es sei denn, sie sind vom Hersteller empfohlen.
- **WARNUNG:** Kühlgeräte (insbesondere Kühl-Gefrierkombinationen vom Typ I) arbeiten möglicherweise nicht gleichmäßig (Möglichkeit des Abtauvorgangs oder steigende Temperatur im Gefrierfach), wenn sie über einen längeren Zeitraum bei einer Temperatur unter dem Temperaturbereich aufgestellt werden, für den das Kühlgerät ausgelegt ist.
- **WARNUNG:** Bei verschließbaren Türen oder Klappen mit Schlössern müssen die Schlüssel außerhalb der Reichweite von Kindern und nicht in der Nähe des Kühlgeräts aufbewahrt werden, damit keine spielenden Kinder im Gerät eingeschlossen werden.
- **WARNUNG:** Das in Ihrem Gerät verwendete Kältemittel und die Isoliermaterialien erfordern besondere Entsorgungsverfahren.
- **WARNUNG:** Beim Aufstellen des Geräts darauf achten, dass das Stromkabel nicht eingeklemmt oder beschädigt wird.
- **WARNUNG:** Keine Mehrfachsteckdosen oder Verlängerungen hinter dem Gerät platzieren.

Kinder im Alter von 3 bis 8 Jahren dürfen Lebensmittel in Kühlgeräte legen und herausnehmen. Um eine Verunreinigung der Lebensmittel zu vermeiden, beachten Sie die folgenden Hinweise:

- Das längere Öffnen der Tür kann zu einem bedeutenden Temperaturanstieg in den Kühlfächern des Geräts führen.
- Die mit den Lebensmitteln in Berührung kommenden Oberflächen und zugänglichen Ablaufsysteme müssen regelmäßig gereinigt werden.
- Reinigen Sie die Wassertanks, wenn sie 48 Stunden lang nicht benutzt wurden. Spülen Sie den an eine Wasserleitung angeschlossenen Wasserkreislauf, wenn fünf Tage lang kein Wasser entnommen wurde.
- Bewahren Sie rohes Fleisch und Fisch in geeigneten Behältern im Kühlschrank auf, damit es nicht mit anderen Lebensmitteln in Berührung kommt oder Flüssigkeit auf diese tropft.
- Zwei-Sterne-Gefrierfächer eignen sich zur Aufbewahrung von vorgefrorenen Lebensmitteln, zur Lagerung oder Herstellung von Speiseeis und zur Herstellung von Eiswürfeln.
- Ein-, Zwei- und Drei-Sterne-Fächer sind nicht zum Einfrieren von frischen Lebensmitteln geeignet.
- Wenn das Kühlgerät längere Zeit leer bleibt, schalten Sie es aus, tauen Sie es ab, reinigen und trocknen Sie es, und lassen Sie die Tür offen, um zu verhindern, dass sich im Innenraum Schimmel bildet.

Klimabereich

Die Informationen über den Klimabereich des Geräts finden Sie auf dem Typenschild. Sie geben an, bei welcher Umgebungstemperatur (d. h. Raumtemperatur, in der das Gerät arbeitet) das Gerät optimal (ordnungsgemäß) funktioniert.

Klimabereich	Zulässige Umgebungstemperatur
SN	von +10°C bis +32°C
N	von +16°C bis +32°C
ST	von +16°C bis +38°C
T	von +16°C bis +43°C

Hinweis: In Anbetracht der Grenzwerte des Umgebungstemperaturbereichs für die Klimaklassen, für die das Kühlgerät ausgelegt ist, und der Tatsache, dass die Innentemperaturen durch Faktoren wie den Standort des Kühlgeräts, die Umgebungstemperatur und die Häufigkeit des Öffnens der Tür beeinflusst werden können, muss die Einstellung einer Temperaturregeleinrichtung gegebenenfalls angepasst werden, um diesen Faktoren Rechnung zu tragen.

Wenn das Stromkabel beschädigt ist, muss es vom Hersteller oder von seinem Service-Mitarbeiter oder einer gleichwertig qualifizierten Person ausgetauscht werden, um jegliches Risiko zu vermeiden.



Hinweis: Wenn das Gerät in einer Umgebung betrieben wird, die nicht dem angegebenen Klimatyp entspricht (d. h. außerhalb des angegebenen Umgebungstemperaturbereichs), kann es sein, dass es nicht in der Lage ist, die gewünschten Temperaturen zu halten.

Schlösser

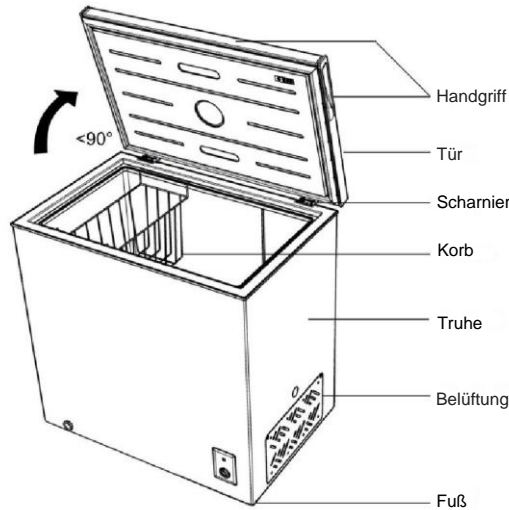
Falls Ihr Gefriergerät mit einem Schloss versehen ist, den Schlüssel außerhalb der Reichweite von Kindern und nicht in der Nähe des Geräts aufbewahren, damit spielende Kinder nicht im Gerät eingeschlossen werden können.

Wenn Sie ein Altgerät entsorgen, zerstören oder entfernen Sie zur Sicherheit alle Schlösser und Riegel.

Freonfrei

Für das Gefriergerät werden ein freonfreies Kältemittel (R600a) und ein umweltfreundliches, aufgeschäumtes Isoliermaterial (Cyclopentan) verwendet, das die Ozonschicht nicht schädigt und nur geringe Auswirkungen auf die globale Erwärmung hat. R600a ist entflammbar und in einem Kühlsystem versiegelt, ohne dass es bei normalem Gebrauch zu Leckagen kommt. Sollte jedoch aufgrund einer Beschädigung des Kühlmittelkreislaufs Kältemittel austreten, halten Sie das Gerät unbedingt von offenen Flammen fern und öffnen Sie so schnell wie möglich die Fenster zur Belüftung.

NAMEN DER TEILE



Aufgrund technischer Neuerungen stimmen die Produktbeschreibungen in diesem Handbuch möglicherweise nicht vollständig mit Ihrem Gefrierschrank überein. Die Details entsprechen dem realen Produkt.

⚠️ WARNUNG ⚠️: Berühren Sie das Innere der Gefriertruhe oder die gefrorenen Lebensmittel im Fach niemals mit nassen Händen, da dies zu Erfrierungen führen kann.

ANWEISUNGEN FÜR DEN TRANSPORT

Das Gerät sollte nur aufrecht stehend transportiert werden. Die Verpackung des Geräts darf beim Transport nicht beschädigt werden.

Wenn das Produkt während des Transports waagrecht befördert werden muss, sollte es auf die linke Seite (Türe vorne) gelegt werden. Bevor es in Betrieb genommen wird, sollte es mindestens vier Stunden lang aufrecht stehen, damit sich das System wieder erholen kann.

1. Die Nichtbeachtung der oben stehenden Anweisungen kann das Gerät beschädigen. Der Hersteller übernimmt keine Haftung, wenn die oben stehenden Anweisungen nicht befolgt werden.
2. Das Gerät muss vor Regen, Feuchtigkeit und sonstigen Witterungseinflüssen geschützt werden.

WICHTIG: Vorsicht beim Reinigen/Tragen des Geräts, sodass das Metall der Kühlschlaufen nicht berührt wird, da dies Finger und Hände verletzen oder das Gerät beschädigen könnte.

WICHTIG: Dieses Gerät ist nicht geeignet, um darauf oder darunter weitere Geräte zu stapeln. Nicht auf dem Gerät sitzen oder stehen, da es dafür nicht geeignet ist. Dies könnte zu Personenschäden führen oder das Gerät beschädigen.

WICHTIG: Darauf achten, dass das Stromkabel während und nach dem Tragen/Verschieben des Geräts nicht darunter stecken bleibt, damit es nicht beschädigt oder zerschnitten wird.

Achten Sie beim Aufstellen des Geräts darauf, dass Sie Ihre Fußböden, Rohre, Wandverkleidungen usw. nicht beschädigen. Bewegen Sie das Gerät nicht durch Ziehen am Deckel oder Griff. Erlauben Sie Kindern nicht mit dem Gerät zu spielen oder an den Bedientknöpfen herumzuspielen. Unser Unternehmen übernimmt keine Haftung, falls diese Anweisungen nicht befolgt werden.

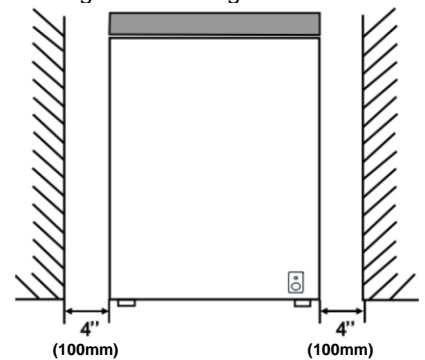
INSTALLATIONSANWEISUNG

1. Nach Möglichkeit das Gerät nicht neben Kochstellen, Heizungen oder in direktem Sonnenlicht aufstellen, weil dadurch der Kompressor länger läuft. Wird das Gerät neben einer Hitzequelle oder neben einem Kühlschrank aufgestellt, sollten die folgenden Mindestabstände eingehalten werden:

Von Herden	100 mm
Von Heizkörpern	300 mm
Von Kühlschränken	100 mm

2. Darauf achten, dass ausreichend Platz um das Gerät vorhanden ist, sodass die Luft zirkulieren kann. Idealerweise müssen mindestens 10 cm rund um die Kühltruhe frei bleiben und es sollten wie in der Abbildung unten gezeigt Lücken vorhanden sein.

3. Das Gerät sollte auf ebenem Untergrund aufgestellt werden.
4. Die Kühltruhe darf nicht im Freien betrieben werden.
5. Vor Feuchtigkeit schützen. Die Kühltruhe nicht in feuchten Räumen betreiben, um Rosten der Metallteile zu verhindern. Kein Wasser auf die Kühltruhe sprühen, da dies die Isolierung aufweichen und zu Kriechstrom führen kann.



6. Lesen Sie den Abschnitt „Reinigen und pflegen“ und bereiten Sie Ihr Gerät auf die Inbetriebnahme vor.
7. Wird die Kühltruhe in unbeheizten Räumen wie z.B. Garagen aufgestellt, kann sich bei Kälte auf der Außenfläche Kondenswasser bilden. Dies ist ein normaler Vorgang und kein Gerätefehler. Das Kondenswasser mit einem trockenen Tuch abwischen.

INBETRIEBNAHME

Endkontrolle

Überprüfen Sie vor der Inbetriebnahme der Kühltruhe Folgendes:

1. Der Innenraum ist trocken und die Luft kann an der Rückseite unbehindert zirkulieren.
2. Reinigen Sie den Innenraum wie unter „REINIGUNG UND PFLEGE“ empfohlen.
3. Den Netzstecker in die Wandsteckdose stecken und die Stromversorgung einschalten. Jetzt leuchtet die rote Anzeige. Schalter mit Klebeband überkleben, um versehentliches Ausschalten zu verhindern. Die grüne Anzeige leuchtet und der Kompressor fängt an zu laufen.
4. Beim Starten des Kompressors hören Sie ein Geräusch. Die im Kühlsystem eingeschlossenen Flüssigkeiten und Gase können auch Geräusche verursachen, unabhängig davon, ob der Kompressor in Betrieb ist oder nicht, was ganz normal ist.
5. Wenn Sie bereits gefrorene Tiefkühlprodukte in der Kühltruhe lagern möchten, überprüfen Sie, ob diese bereits die richtige Temperatur erreicht hat. Dann können Sie die bereits gefrorenen Lebensmittel in die Kühltruhe legen.
6. Legen Sie die Waren nicht direkt nach dem Einschalten in das Gerät. Warten Sie, bis die richtige Lagertemperatur erreicht ist. Wir empfehlen, die Temperatur mit einem genauen Thermometer zu prüfen.

Wichtige Anmerkungen:

- Bei einem Stromausfall nicht die Klappe öffnen. Dauert der Stromausfall weniger als 20 Stunden an, wird die Tiefkühlware nicht beeinträchtigt. Dauert der Stromausfall länger, sollten die Lebensmittel überprüft und sofort verzehrt oder gekocht und erneut eingefroren werden.
- Lässt sich die Klappe der Kühltruhe schwierig öffnen, nachdem Sie diese gerade geschlossen haben, so ist dies normal. Dies liegt am Druckausgleich, der hergestellt wird. Die Klappe lässt sich normalerweise nach wenigen Minuten wieder öffnen.

BETRIEB DER KÜHLTRUHE

Das Anzeigefeld ist in den nachstehenden Abbildungen dargestellt:



Funktionen:

Wenn das System zum ersten Mal eingeschaltet wird, leuchten alle LED-Anzeigen und das Digitaldisplay auf und kehren nach 2 Sekunden zur normalen Anzeige zurück. Wenn die Digitalanzeige eingeschaltet ist, schaltet sie sich automatisch aus, wenn innerhalb von 3 Minuten keine Taste betätigt wird, wobei alle Tasten gesperrt sind. Wenn der Bildschirm ausgeschaltet ist, können Sie ihn aktivieren, indem Sie eine beliebige Taste zum ersten Mal drücken und dann die Taste „-“ 3 Sekunden lang gedrückt halten, um die Tastensperre aufzuheben.

★ Kühlschranks/Gefrierschranks

1) Einstellbare Temperaturbereiche: 8°C~2°C im Kühlmodus und -12°C ~ -24°C im Gefriermodus, die in einem Kreislauf eingestellt werden können, um die Kühl-/Gefrierfunktion zu nutzen.

2) Nach dem Entsperren der Tasten beginnt die Temperaturanzeige beim ersten Drücken der Taste „+“ / „-“ zu blinken, wobei sich die Temperaturwerte zu diesem Zeitpunkt ändern können.

Beim Einstellen der Temperatur: wenn die Temperatur auf 2°C eingestellt ist, wird sie nach Drücken der Taste „-“ auf -12°C eingestellt; wenn die Temperatur auf -24°C eingestellt ist, wird sie nach Drücken der Taste „-“ auf 8°C eingestellt; wenn die Temperatur auf -12°C eingestellt ist, wird sie nach Drücken der Taste „+“ auf 2°C eingestellt; und wenn die Temperatur auf 8°C eingestellt ist, wird sie nach Drücken der Taste „+“ auf -24°C eingestellt.

★ **Einstellung der Kühlschranktemperatur**


Sie können den Temperaturwert durch Drücken der Tasten „+“/„-“ einstellen. Bei der ersten Betätigung der Tasten „+“/„-“ wird der Temperaturwert verändert; bei der nächsten Betätigung der Tasten „+“/„-“ wird die eingestellte Temperatur entsprechend um 1°C erhöht/verringert. Wenn der Temperaturbereich auf 8°C~2°C eingestellt ist, ist der Kühlmodus aktiviert.

★ **Temperatureinstellung des Tiefkühlschranks**

Sie können den Temperaturwert durch Drücken der Tasten „+“/„-“ einstellen. Bei der ersten Betätigung der Tasten „+“/„-“ wird der Temperaturwert verändert; bei der nächsten Betätigung der Tasten „+“/„-“ wird die eingestellte Temperatur entsprechend um 1°C erhöht/verringert. Wenn der Temperaturbereich auf -12°C~-24°C eingestellt ist, ist der Tiefkühlmodus aktiviert.

★ **Schnellgefrieren**

Wenn die Funktion zum Schnellgefrieren aktiviert ist, wird die Temperatur des Gefrierschranks automatisch auf -32°C eingestellt, und nach 26 Stunden Laufzeit wird die Funktion zum Schnellgefrieren dann beendet. Eine schnelle Abkühlung der Gefriertemperatur ist vorteilhaft für die Vermeidung von Nährstoffverlusten und die Erhaltung der Frische von Lebensmitteln.

1)  Wenn die Funktion zum Schnellgefrieren aktiv ist, wird eine Temperatur von „- 32°C“ angezeigt, die keiner Veränderung unterliegt.

2) So rufen Sie die Funktion zum Schnellgefrieren auf oder beenden sie
Wenn die Tasten entsperrt sind, können Sie die Taste „+“ 3 Sekunden lang gedrückt halten, um die Funktion zum Schnellgefrieren aufzurufen oder zu beenden.

Hinweis: Wenn die Temperatur des Gefrierschranks vor der Aktivierung der Schnellgefrierfunktion auf unter Null eingestellt ist (d.h. im Gefriermodus), wird sie nach Beendigung der Funktion zum Schnellgefrieren wieder auf die eingestellte Temperatur zurückgesetzt; und wenn die Temperatur des Gefrierschranks vor der Aktivierung der Schnellgefrierfunktion auf über Null eingestellt ist (d.h. im Kühlmodus), wird sie nach Beendigung der Funktion zum Schnellgefrieren standardmäßig auf -18 C zurückgesetzt.

★ **Kindersicherung**

1) Wenn die Funktion „Kindersicherung“ aktiviert ist, können Temperatur und Funktion nicht eingestellt werden, um eine Fehlbedienung zu verhindern.

2) Zum Aufrufen der Funktion „Kindersicherung“:
Wenn innerhalb von 3 Minuten keine Tastenbetätigung erfolgt, wird die Kindersicherung des Gefriergeräts automatisch aktiviert.

3) Um die Funktion „Kindersicherung“ zu beenden:
Sie können die Taste „-“ 3 Sekunden lang gedrückt halten, um die Funktion „Kindersicherung“ zu beenden.

★ **Ausschalt Speicher**

Im Falle eines Stromausfalls behält der Gefrierschrank den Betriebszustand vor dem Stromausfall bei, wenn die Stromversorgung wiederhergestellt ist.

★ **Schutz zur Einschaltverzögerung**

Um den Kompressor des Kühlschranks im Falle eines kurzzeitigen Stromausfalls (d.h. weniger als 5 Minuten) vor Schäden zu schützen, wird der Kompressor nicht sofort nach dem Einschalten des Geräts gestartet.

★ **Störungsalarm**

Wenn E0 auf dem Bedienfeld angezeigt wird, liegt ein Fehler im Gefriergerät vor. Rufen Sie in diesem Fall bitte den Kundendienst und vereinbaren Sie einen Termin.



Aufgrund individueller Faktoren des Kühlschranks kann die tatsächliche Temperatur im Kühlraum eine gewisse Abweichung von der eingestellten Temperatur aufweisen, was ein normales Phänomen ist und den normalen Gebrauch des Produkts nicht beeinträchtigt.

LAGERUNG VON TIEFKÜHLPRODUKTEN

Kommerzielle Tiefkühlware sollte im Einklang mit den Empfehlungen des Lebensmittelherstellers in der Tiefkühltruhe gelagert werden.

Um zu gewährleisten, dass die vom Hersteller und vom Einzelhandel erzielte Lebensmittelqualität aufrechterhalten wird, sollte Folgendes berücksichtigt werden:

1. Tiefkühlware so schnell wie möglich nach dem Einkauf in das Gefrierfach legen.
2. Das auf der Verpackung angegebene Haltbarkeitsdatum sollte nicht überschritten werden.

EINFRIEREN FRISCHER LEBENSMITTEL

FrISCHE Lebensmittel möglichst in der Nähe der Kühltruhenwände und weg von bereits Gefrorenem platzieren, um schnelles Gefrieren zu gewährleisten.

Die maximale Gefrierkapazität sollte nicht überschritten werden. Keine zu großen Mengen auf einmal einfrieren.

Die Qualität des Lebensmittels bleibt am besten erhalten, wenn es so schnell wie möglich bis in den Kern gefriert.

Achten Sie darauf, bereits gefrorene und frISCHE Lebensmittel getrennt einzulagern.

ABTAUEN

Zweimal im Jahr oder wenn sich eine zirka 7 mm dicke Eisschicht gebildet hat abtauen.

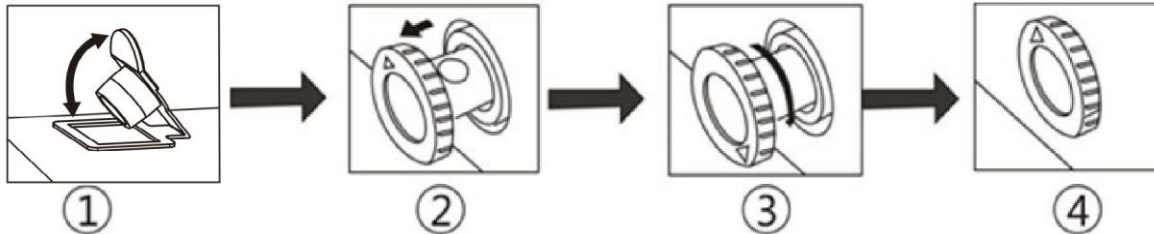
Entweder, Sie schalten den Kühlschrank am Schalter neben der Stromversorgung ab oder Sie ziehen den Stecker aus der Steckdose.

Den Wasserlauf herausziehen und einen Wasserbehälter unterstellen.

Stellen Sie sechs Stunden vor dem Abtauen das Thermostatrad auf „-24“, damit die Tiefkühlware den kältesten Punkt erreicht hat, wenn Sie sie herausnehmen. Alle Lebensmittel sollten in mehrere Lagen Zeitungspapier eingepackt und an einem kalten Ort (z. B. Kühlschrank oder Speisekammer) aufbewahrt werden.

Den Gefrierkorb entnehmen. Die Klappe offen stehen lassen. Um den Abtauvorgang zu beschleunigen, können Behälter mit warmem Wasser in das Gerät gestellt werden.

Keinen Haarföhn, Heizgeräte oder sonstige elektrische Geräte zum Abtauen verwenden. Wenn der Abtauvorgang beendet ist, das am Boden angesammelte Tauwasser wie unten gezeigt abfließen lassen und den Innenraum des Geräts gründlich abtrocknen. Die Funktion zum Schnellgefrieren einstellen und zirka drei Stunden lang anlassen.



1. An der Unterseite der Gefriertruhe befindet sich ein Abfluss. Wenn Sie beim Abtauen die Gummiabdeckung entfernen, fließt das Abtauwasser aus dem Abflussrohr ab.

2. Den Ablauf etwa 20-25 mm herausziehen, bis das Wasserloch sichtbar wird.

3. Den Ablauf drehen, sodass der Pfeil nach unten zeigt.

4. Nach dem Abtauen warten, bis kein Wasser mehr aus dem Ablauf kommt. Dann den Ablauf wieder zurückschieben, sodass der Pfeil nach oben zeigt.

Wichtige Anmerkungen:

- Keine scharfkantigen Gegenstände wie Messer oder Gabeln verwenden, um Eisschichten damit zu entfernen.
- Keinen Haarföhn, Heizgeräte oder sonstige elektrische Geräte zum Abtauen verwenden.
- Es ist normal, wenn sich bei regnerischem Wetter Wassertropfen oder Reif auf dem Rand des Gefrierschranks und den Türdichtungen bilden, was den normalen Gebrauch nicht beeinträchtigt. Reinigen Sie das Gerät in diesem Fall zeitnah mit einem trockenen Tuch.

REINIGEN UND PFLEGEN

** Es empfiehlt sich, das Gefriergerät am Schalter neben der Stromversorgung auszuschalten und den Netzstecker zu ziehen, bevor Sie mit dem Reinigen beginnen.

** Keine scharfen Gegenstände, Scheuermittel, Seife, Haushaltsreiniger, Waschmittel oder Wachspolitur zum Reinigen verwenden.

** Lauwarmes Wasser zum Reinigen des Innenraums verwenden und das Gerät trocken reiben.

** Zum Reinigen des Innenraums einen Teelöffel Natron in einem halben Liter Wasser auflösen und ein Tuch darin eintauchen und auswringen. Innenraum auswaschen und anschließend trocken reiben.

** Überschüssiges Eis sollte regelmäßig mit einem handelsüblichen Eisschaber aus Kunststoff entfernt werden.

Große Eisansammlungen beeinträchtigen die Geräteleistung.

** Wird das Gefriergerät längere Zeit nicht genutzt, schalten Sie es ab, entfernen Sie alle Lebensmittel, reinigen Sie das Gerät und lassen Sie die Klappe auf.

** Überprüfen Sie die Dichtungen regelmäßig auf Verunreinigungen.

Wichtige Anmerkungen:

Für die Reinigung des Kompressors kein Wasser darauf schütten. Nach der feuchten Reinigung mit einem Tuch gründlich trocken reiben, um Rost zu vermeiden.

GEBOTE UND VERBOTE

Gebot - Tiefgefrorene Lebensmittel vollständig im Kühlschrank oder entsprechend der Anweisungen in einer Mikrowelle auftauen.

Gebot - Sicherstellen, dass die Klappe der Tiefkühltruhe nach jeder Entnahme fest verschlossen ist.

Gebot - Gefrorenes Fleisch vor der Zubereitung vollständig auftauen lassen.

Gebot - Die Klappe vorsichtig schließen.

Gebot - Inhalt der Kühltruhe in regelmäßigen Abständen überprüfen.

- Gebot** - Gefrierschrank regelmäßig abtauen und reinigen (siehe „Abtauen“).
- Gebot** - Lebensmittel so kurzfristig wie möglich aufbewahren und das Verfallsdatum beachten.
- Gebot** - Kommerzielle Tiefkühlware entsprechend der Verpackungsangabe lagern.
- Gebot** - Nur qualitativ hochwertige und gründlich gereinigte frische Lebensmittel einfrieren.
- Gebot** - Frische Lebensmittel in kleinen Portionen einfrieren.
- Gebot** - Lebensmittel in Aluminiumfolie oder Gefrierbeuteln einfrieren und dabei möglichst keine Luft einschließen.
- Gebot** - Gefrorene Lebensmittel beim Kauf einpacken und so schnell wie möglich in den Gefrierschrank legen.
- Gebot** - Kleine Gegenstände im mitgelieferten Korb aufbewahren.
- Gebot** - Speiseeis 10-20 Minuten vor dem Servieren aus der Tiefkühltruhe nehmen.
- Verbot** - Klappe nicht über lange Zeit offenlassen, da dies den Betrieb des Gefriergeräts verteuert und zu übermäßiger Eisbildung führt.
- Verbot** - Keine scharfkantigen Gegenstände wie Messer oder Gabeln verwenden, um Eisschichten damit zu entfernen.
- Verbot** - Keine heißen Lebensmittel in das Gefriergerät stellen. Diese zuerst abkühlen lassen.
- Verbot** - Keine Flaschen oder Dosen mit kohlenstoffhaltigen Getränken im Gefriergerät lagern, da diese platzen können.
- Verbot** - Keine giftigen oder gefährlichen Substanzen im Gefriergerät lagern. Ihr Gefriergerät ist ausschließlich für die Lagerung von Lebensmitteln bestimmt.
- Verbot** - Speiseeis oder Eiswürfel nicht direkt aus der Kühltruhe verzehren. Die niedrige Temperatur kann zu „Gefrierverbrennungen“ auf den Lippen führen.
- Verbot** - Keine kohlenstoffhaltigen Getränke einfrieren.
- Verbot** - Keine aufgetaute Tiefkühlware aufbewahren. Diese sollte innerhalb von 24 Stunden verzehrt oder gekocht und dann wieder eingefroren werden.
- Verbot** - Keine Gegenstände mit nassen Händen aus der Kühltruhe nehmen.
- Verbot** - Die Klappe nicht mit Gewalt schließen. Dies beschädigt das Gerät.
- Das Gerät ist nicht zur Nutzung durch Personen (einschließlich Kindern) mit eingeschränkten körperlichen, sensorischen oder geistigen Fähigkeiten oder mangelnder Erfahrung und mangelndem Wissen bestimmt, sofern diese nicht in die Bedienung des Geräts durch eine Person eingewiesen wurden, die für ihre Sicherheit verantwortlich ist oder von einer solchen Person beaufsichtigt werden.
 - Kinder sollten beaufsichtigt werden, um sicherzustellen, dass sie nicht mit dem Gerät spielen.
 - Keine explosiven Substanzen mit entzündlichen Treibgasen, wie Sprühdosen, in diesem Gerät lagern.
 - Dieses Gerät ist ausschließlich für den Hausgebrauch und vergleichbare Verwendungen bestimmt. Es ist ausschließlich für den Einsatz in Haushalten und ähnlichen Bereichen konzipiert, wie z. B. in Personalküchen in Geschäften, Büros und anderen Arbeitsumgebungen, auf Bauernhöfen und in Hotels, Motels und anderen wohnähnlichen Umgebungen sowie im Bed-and-Breakfasts, fürs Catering und ähnlichen Anwendungsgebieten außer im Einzelhandel.
 - Wenn das Stromkabel beschädigt ist, muss es vom Hersteller, von dessen Kundendienstmitarbeiter oder einer gleichwertig qualifizierten Person ausgetauscht werden, um jegliches Risiko zu vermeiden.

Austausch der Leuchtmittel

Für die Beleuchtung des Kühlschranks wird eine LED-Lampe verwendet, die sich durch geringen Energieverbrauch und lange Lebensdauer auszeichnet. Im Falle von Anomalien kontaktieren Sie den Kundenservice und vereinbaren Sie einen Termin. Die Lampen können nur durch den Hersteller ersetzt werden.

Lampentyp: LED-Beleuchtung.

Energieeffizienzklasse: F

ELEKTRISCHE INFORMATIONEN

DAS GERÄT MUSS GEERDET WERDEN.

Dieses Gerät ist mit einem abgesicherten dreipoligen Stecker nach BS 1363 ausgestattet, der in allen Häusern mit Steckdosen nach den aktuellen Spezifikationen verwendet werden kann.

Wenn der montierte Stecker nicht für Ihre Steckdose geeignet ist, sollten Sie ihn abschneiden und sorgfältig entsorgen. Um einen möglichen Stromschlag zu vermeiden, stecken Sie den ausgerichteten Stecker nicht in eine Steckdose.

Dieses Gerät entspricht den EWG-Richtlinien:

Korrekte Entsorgung dieses Produkts



Diese Kennzeichnung weist darauf hin, dass dieses Produkt in der gesamten EU nicht mit anderen Haushaltsabfällen entsorgt werden darf. Um mögliche Schäden für die Umwelt oder die menschliche Gesundheit durch unkontrollierte Abfallentsorgung zu vermeiden, müssen Altgeräte verantwortungsbewusst recycelt werden. Dies fördert zudem die nachhaltige Wiederverwendung von Materialressourcen. Um Ihr gebrauchtes Gerät zurückzugeben, nutzen Sie bitte die Rückgabe- und Abholssysteme oder wenden Sie sich an den Händler, bei dem Sie das Produkt gekauft haben. Abfallentsorger und Händler können dieses Produkt dem umweltgerechten Recycling zuführen.

Warnhinweise für die Entsorgung

- ※ Das für den Kühlschrank verwendete Kältemittel und der Cyclopentan-Schaumstoff sind brennbar. Bei der Verschrottung des Kühlschranks ist dieser daher von jeglicher Feuerquelle fernzuhalten und von einem speziellen Verwertungsunternehmen mit entsprechender Qualifikation zu verwerten. So darf er beispielsweise nicht durch Verbrennung entsorgt werden, um Umwelt- oder andere Schäden zu vermeiden.
- ※ Wenn der Kühlschrank verschrottet wird, demontieren Sie die Türen und entfernen Sie die Dichtungen von Tür und Regalböden; stellen Sie die Türen und Regalböden an einen geeigneten Platz, damit kein Kind zwischen ihnen eingeklemmt oder im Gerät eingeschlossen wird.

Zugang zu professionellen Reparaturen, z. B. Internetseiten, Adressen, Kontaktangaben;

Liste der Servicestationen für den Kundendienst:

Adresse	
Kontaktnummer	
Website	
QR-Code	

Hinweis: Die Adresse oder Telefonnummer der Servicestelle kann ohne vorherige Ankündigung geändert werden. Vergewissern Sie sich bei der Inanspruchnahme von Dienstleistungen, ob es sich um ein direkt mit unserem Unternehmen verbundenes Servicezentrum handelt.

Einschlägige Informationen für die Bestellung von Ersatzteilen direkt beim Hersteller oder über den Importeur oder autorisierte Vertreter und Kanäle;

Der Mindestzeitraum, in dem die für die Reparatur des Geräts erforderlichen Ersatzteile verfügbar sind;

Anleitung zum Auffinden der Modellinformationen in der Produktdatenbank im Sinne der Verordnung (EU) 2019/2019 durch einen Weblink, der auf die in der Produktdatenbank gespeicherten Modellinformationen verweist, oder einen Link zur Produktdatenbank und Informationen zum Auffinden des Modellidentifikators auf dem Produkt.

ΚΑΤΑΨΥΚΤΗΣ ΟΡΙΖΟΝΤΙΟΥ ΤΥΠΟΥ
ΕΓΧΕΙΡΙΔΙΟ ΧΡΗΣΗΣ

ΑΡΙΘΜΟΣ ΜΟΝΤΕΛΟΥ:

CMCH 100 D

CMCH 150 D

CMCH 200 D

ΑΣΦΑΛΕΙΑ



ΠΡΟΕΙΔΟΠΟΙΗΣΗ!

Η εκτέλεση τεχνικής συντήρησης ή επισκευών που περιλαμβάνουν την αφαίρεση των καλυμμάτων ενέχει κινδύνους για κάθε πρόσωπο πέραν του εξουσιοδοτημένου προσωπικού τεχνικής συντήρησης. Για την αποφυγή του κινδύνου ηλεκτροπληξίας μην επιχειρήσετε να επισκευάσετε μόνοι σας αυτή τη συσκευή.

ΠΡΟΕΙΔΟΠΟΙΗΣΗ!

Κίνδυνος πυρκαγιάς/εύφλεκτα υλικά!



Συμβουλές ασφαλείας

Μην χρησιμοποιείτε ηλεκτρικές συσκευές όπως πιστολάκι μαλλιών ή θερμάστρα για την απόψυξη του καταψύκτη.

Τα δοχεία με εύφλεκτα αέρια ή υγρά μπορεί να εμφανίσουν διαρροές σε χαμηλές θερμοκρασίες.

Μην αποθηκεύετε δοχεία με εύφλεκτα υλικά, όπως δοχεία σπρέι, φύσιγγες αναγόμωσης πυροσβεστήρων, κ.λπ. στον καταψύκτη.

Μην τοποθετείτε αναψυκτικά ή ανθρακούχα ποτά στο διαμέρισμα του καταψύκτη. Οι γρανίτες μπορούν να προκαλέσουν «εγκαύματα από παγετό». Εάν καταναλωθούν απευθείας από τον καταψύκτη.

Μην αφαιρείτε αντικείμενα από τον θάλαμο του καταψύκτη με υγρά/βρεγμένα χέρια, καθώς αυτό μπορεί να προκαλέσει εκδορές του δέρματος ή «εγκαύματα από παγετό». Μην τοποθετείτε φιάλες ή μεταλλικά δοχεία στον θάλαμο του καταψύκτη καθώς μπορεί να διαραγούν όταν παγώσει το περιεχόμενο.

Πρέπει να τηρούνται οι συνιστώμενοι χρόνοι αποθήκευσης από τον κατασκευαστή. Ανατρέξτε στις σχετικές οδηγίες.

Μην επιτρέπετε στα παιδιά να παραβιάζουν τα χειριστήρια ή να παίζουν με τον καταψύκτη. Ο καταψύκτης έχει μεγάλο βάρος. Πρέπει να επιδεικνύεται προσοχή κατά τη μετακίνησή του. Η παραποίηση των προδιαγραφών ή οποιαδήποτε προσπάθεια τροποποίησης του προϊόντος είναι επικίνδυνη.

Μην αποθηκεύετε εύφλεκτα αέρια ή υγρά μέσα στον καταψύκτη.

Αν το καλώδιο παροχής ρεύματος έχει φθαρεί πρέπει να αντικατασταθεί από τον κατασκευαστή ή τον αντιπρόσωπο του σέρβις ή παρόμοια εξουσιοδοτημένα πρόσωπα, προς αποφυγή του κινδύνου.

Η συσκευή αυτή μπορεί να χρησιμοποιηθεί από παιδιά ηλικίας 8 ετών και άνω και από άτομα με μειωμένες σωματικές, αισθητηριακές ή διανοητικές ικανότητες ή έλλειψη εμπειρίας και γνώσης, εφόσον βρίσκονται υπό εποπτεία ή εάν τους έχουν δοθεί σαφείς οδηγίες σχετικά με τη χρήση της συσκευής με ασφαλή τρόπο και έχουν κατανοήσει επακριβώς τους σχετικούς κινδύνους. Τα παιδιά δεν επιτρέπεται να παίζουν με τη συσκευή. Ο καθαρισμός και η οι εργασίες συντήρησης από τον χρήση απαγορεύεται να γίνονται από παιδιά χωρίς επιτήρηση.

Αυτή η ψυκτική συσκευή δεν προορίζεται να χρησιμοποιηθεί ως εντοιχισμένη συσκευή.

Αυτή η συσκευή προορίζεται για χρήση σε οικιακές και παρόμοιες εφαρμογές όπως

- κουζίνες προσωπικού σε καταστήματα, γραφεία και άλλα περιβάλλοντα εργασίας,
- αγροικίες και από πελάτες ξενοδοχείων, πανδοχείων και άλλων περιβαλλόντων οικιστικού τύπου,
- σε εγκαταστάσεις διαμονής με πρωινό και ημιδιαμονής,
- εφαρμογές σίτισης και παρόμοιες εφαρμογές μη-λιανικής πώλησης.

Φροντίστε πάντα να μην υπάρχουν εμπόδια στα ανοίγματα εξαερισμού στο περίβλημα της συσκευής ή στις εσωτερικές της δομές.

Μην χρησιμοποιείτε μηχανικές συσκευές ή άλλα μέσα για να επιταχύνετε τη διαδικασία απόψυξης, παρά μόνο όσα συνιστώνται από τον κατασκευαστή.

Αποφύγετε την πρόκληση ζημιών στο κύκλωμα ψύξης.

Μην χρησιμοποιείτε ηλεκτρικές συσκευές μέσα στα διαμερίσματα αποθήκευσης τροφίμων της συσκευής, εκτός εάν είναι του τύπου που συνιστά ο κατασκευαστής.

Μην αποθηκεύετε εκρηκτικές ουσίες όπως δοχεία αερολύματος με εύφλεκτο περιεχόμενο σε αυτή τη συσκευή.

Αυτή η συσκευή δεν προορίζεται για χρήση από άτομα (συμπεριλαμβανομένων των παιδιών) με μειωμένες φυσικές, κινητικές ή διανοητικές ικανότητες ή χωρίς εμπειρία και γνώσεις, εκτός και εάν εποπτεύονται ή έχουν λάβει οδηγίες αναφορικά με τη χρήση της συσκευής από πρόσωπο υπεύθυνο για την ασφάλειά τους. Τα παιδιά πρέπει να εποπτεύονται συνεχώς ώστε να διασφαλιστεί ότι δεν παίζουν με τη συσκευή.

- **ΠΡΟΕΙΔΟΠΟΙΗΣΗ:** Φροντίστε πάντα να μην υπάρχουν εμπόδια στα ανοίγματα εξαερισμού στο περίβλημα της συσκευής ή στις εσωτερικές της δομές.

- **ΠΡΟΕΙΔΟΠΟΙΗΣΗ:** Μην χρησιμοποιείτε μηχανικές συσκευές ή άλλα μέσα για να επιταχύνετε τη διαδικασία απόψυξης, παρά μόνο όσα συνιστώνται από τον κατασκευαστή.

- **ΠΡΟΕΙΔΟΠΟΙΗΣΗ:** Αποφύγετε την πρόκληση ζημιών στο κύκλωμα ψύξης.

- **ΠΡΟΕΙΔΟΠΟΙΗΣΗ:** Μην χρησιμοποιείτε ηλεκτρικές συσκευές μέσα στα διαμερίσματα αποθήκευσης τροφίμων της συσκευής, εκτός εάν είναι του τύπου που συνιστά ο κατασκευαστής.

- **ΠΡΟΕΙΔΟΠΟΙΗΣΗ:** Οι ψυκτικές συσκευές και ιδιαίτερα ο ψυγείο-καταψύκτης τύπου I, ενδέχεται να μην λειτουργούν με συνέπεια (πιθανότητα απόψυξης του περιεχομένου ή να ανέβει η θερμοκρασία και να γίνει πολύ ζεστή στο χώρο των κατεψυγμένων τροφίμων) όταν έχει ρυθμιστεί για μεγάλο χρονικό διάστημα κάτω από το όριο ψύχους του εύρους των θερμοκρασιών οι οποίες έχουν σχεδιαστεί για την ψυκτική συσκευή.

- **ΠΡΟΕΙΔΟΠΟΙΗΣΗ:** Είναι αναγκαίο, επίσης, οι πόρτες ή τα καλύμματα να είναι εφοδιασμένα με κλειδαριές και κλειδιά, με τα κλειδιά αυτά να πρέπει να φυλάσσονται μακριά από παιδιά και όχι κοντά στην ψυκτική συσκευή, προκειμένου να αποφευχθεί το κλείδωμα των παιδιών.

- **ΠΡΟΕΙΔΟΠΟΙΗΣΗ:** Το ψυκτικό υγρό και τα μονωτικά υλικά που χρησιμοποιούνται στη συσκευή απαιτούν ειδικές διαδικασίες απόρριψης.

- **ΠΡΟΕΙΔΟΠΟΙΗΣΗ:** Κατά την τοποθέτηση της συσκευής διασφαλίστε ότι το καλώδιο τροφοδοσίας δεν έχει παγιδευτεί ή υποστεί ζημιά.

- **ΠΡΟΕΙΔΟΠΟΙΗΣΗ:** Μην τοποθετείτε πολλαπλές φορητές πρίζες ή φορητά τροφοδοτικά στο πίσω μέρος της συσκευής.

Τα παιδιά ηλικίας από 3 έως 8 ετών επιτρέπεται να φορτώνουν και να ξεφορτώνουν τις ψυκτικές συσκευές. Για την αποφυγή της μόλυνσης των τροφίμων, ακολουθήστε τις παρακάτω οδηγίες:

- Το άνοιγμα της πόρτας για μεγάλα (χρονικά) διαστήματα μπορεί να προκαλέσει σημαντική αύξηση της θερμοκρασίας στους θαλάμους της συσκευής.

- Καθαρίζετε τακτικά τις επιφάνειες που έρχονται σε επαφή με τρόφιμα και προσβάσιμα συστήματα αποστράγγισης.

- Καθαρίζετε τα δοχεία νερού, εάν δεν έχουν χρησιμοποιηθεί για 48 ώρες. Ξεπλύνετε το σύστημα νερού που συνδέεται σε παροχή νερού, εάν δεν έχει εκτελεστεί άντληση νερού για 5 ημέρες.

- Αποθηκεύετε το ωμό κρέας και τα ψάρια σε κατάλληλα δοχεία στο ψυγείο, ώστε να μην έρχονται σε επαφή και να μην στάζουν επάνω σε άλλα τρόφιμα.

- Οι θάλαμοι κατεψυγμένων τροφίμων δύο αστέρων είναι κατάλληλοι για την αποθήκευση προ-κατεψυγμένων τροφίμων, την αποθήκευση ή παρασκευή παγωτού και την παρασκευή πάγου.

- Οι θάλαμοι ενός, δύο και τριών αστέρων δεν είναι κατάλληλοι για την ψύξη νωπών τροφίμων.

- Εάν η συσκευή ψύξης παραμείνει κενή για μεγάλα χρονικά διαστήματα, απενεργοποιήστε, αποψύξτε, καθαρίστε, σκουπίστε και αφήστε την πόρτα ανοικτή για να αποτρέψετε τη δημιουργία μούχλας στη συσκευή.

Περιβαλλοντικές συνθήκες

Οι πληροφορίες σχετικά με τις περιβαλλοντικές συνθήκες για τη λειτουργία της συσκευής παρέχονται στην πινακίδα τεχνικών χαρακτηριστικών. Αυτή η πινακίδα υποδεικνύει τη θερμοκρασία περιβάλλοντος (δηλαδή τη θερμοκρασία δωματίου στην οποία λειτουργεί η συσκευή) η οποία διασφαλίζει βέλτιστη (σωστή) λειτουργία της συσκευής.

Περιβαλλοντικές συνθήκες	Επιτρεπόμενη θερμοκρασία περιβάλλοντος
SN	από +10°C έως +32°C
N	από +16°C έως +32°C
ST	από +16°C έως +38°C
T	από +16°C έως +43°C

Σημείωση: Λαμβάνοντας υπόψη τις οριακές τιμές του εύρους θερμοκρασιών περιβάλλοντος για τις κλιματικές κατηγορίες για τις οποίες έχει σχεδιαστεί η ψυκτική συσκευή και το γεγονός ότι οι εσωτερικές θερμοκρασίες ενδέχεται να επηρεαστούν από παράγοντες όπως η θέση της ψυκτικής συσκευής, η θερμοκρασία περιβάλλοντος και η συχνότητα ανοίγματος της θύρας, η ρύθμιση οποιασδήποτε συσκευής ελέγχου θερμοκρασίας ενδέχεται να πρέπει να τροποποιηθεί ώστε να λαμβάνονται υπόψη αυτοί οι παράγοντες, εάν χρειάζεται.

Αν το καλώδιο παροχής ρεύματος έχει φθαρεί πρέπει να αντικατασταθεί από τον κατασκευαστή ή τον αντιπρόσωπο του σέρβις ή παρόμοια εξουσιοδοτημένα πρόσωπα, προς αποφυγή του κινδύνου.



Σημείωση: Κατά τη λειτουργία σε συνθήκες διαφορετικές από τις οριζόμενες περιβαλλοντικές συνθήκες (δηλαδή, εκτός του ονομαστικού εύρους θερμοκρασιών περιβάλλοντος), η συσκευή ενδέχεται να μην μπορεί να διατηρήσει τις επιθυμητές θερμοκρασίες θαλάμου.

Κλειδαριές

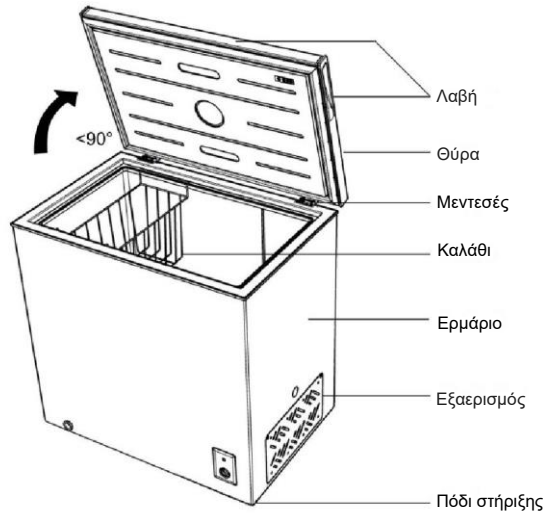
Εάν το ψυγείο είναι εφοδιασμένο με κλειδαριά, για να αποφύγετε την παγίδευση των παιδιών, κρατήστε το κλειδί μακριά από παιδιά και όχι κοντά στη συσκευή.

Κατά την απόρριψη παλιού ψυγείου, σπάστε τις παλιές κλειδαριές ή τα μάνταλα ως μέτρο προφύλαξης.

Δεν περιέχει φρέον

Στο ψυγείο χρησιμοποιείται ψυκτικό μέσο χωρίς φρέον (R600a) και αφρώδες μονωτικό υλικό (κυκλοπεντάνιο) φιλικό προς το περιβάλλον. Αυτό σημαίνει ότι δεν προκαλούνται βλάβες στο στρώμα του όζοντος και διασφαλίζεται πολύ μικρός αντίκτυπος στην υπερθέρμανση του πλανήτη. Το R600a είναι εύφλεκτο και σφραγισμένο σε κύκλωμα ψύξης, χωρίς να εμφανίζονται διαρροές κατά την κανονική χρήση. Ωστόσο, σε περίπτωση διαρροής ψυκτικού λόγω βλάβης του κυκλώματος ψυκτικού μέσου, κρατήστε τη συσκευή μακριά από γυμνή φλόγα και ανοίξτε τα παράθυρα για αερισμό όσο το δυνατόν γρηγορότερα.

ΟΝΟΜΑΣΙΑ ΕΞΑΡΤΗΜΑΤΩΝ



Λόγω τεχνολογικών καινοτομιών, οι περιγραφές προϊόντων σε αυτό το εγχειρίδιο ενδέχεται να μην είναι απόλυτα συμβατές με τον καταψύκτη. Οι λεπτομέρειες είναι σύμφωνες με το πραγματικό προϊόν.

ΠΡΟΕΙΔΟΠΟΙΗΣΗ: Μην αγγίζετε ποτέ το εσωτερικό του θαλάμου του καταψύκτη ή τα κατεψυγμένα τρόφιμα στον θάλαμο με βρεγμένα χέρια, καθώς κάτι τέτοιο μπορεί να προκαλέσει κρουπάγημα.

ΟΔΗΓΙΕΣ ΜΕΤΑΦΟΡΑΣ

Η συσκευή πρέπει να μεταφέρεται μόνο σε κάθετη, όρθια θέση. Η συσκευασία παράδοσης πρέπει να είναι άθικτη κατά τη μεταφορά.

Εάν κατά τη διάρκεια της μεταφοράς, το προϊόν έχει μεταφερθεί οριζόντια, πρέπει να τοποθετηθεί μόνο στην αριστερή του πλευρά (με όψη στην μπροστινή πλευρά της πόρτας) και δεν πρέπει να τεθεί σε λειτουργία για τουλάχιστον 4 ώρες έτσι ώστε το σύστημα να επανέλθει μετά την επαναφορά της συσκευής σε όρθια θέση.

1. Η μη συμμόρφωση με τις παραπάνω οδηγίες μπορεί να οδηγήσει σε ζημιά στη συσκευή. Ο κατασκευαστής δεν θα φέρει ευθύνη σε περίπτωση μη τήρησης αυτών των οδηγιών.
2. Η συσκευή πρέπει να προστατεύεται από τη βροχή, την υγρασία και άλλες ατμοσφαιρικές επιδράσεις.

ΣΗΜΑΝΤΙΚΟ: Επιδείξτε προσοχή κατά τον καθαρισμό / μεταφορά της συσκευής, ώστε να αποφεύγεται η επαφή με τα μεταλλικά σύρματα του συμπυκνωτή στο πίσω μέρος της συσκευής, καθώς ενδέχεται να προκληθεί τραυματισμός των δακτύλων και των χεριών και ζημιά στο προϊόν.

ΣΗΜΑΝΤΙΚΟ: Αυτή η συσκευή δεν έχει σχεδιαστεί για στοίβαξη με οποιαδήποτε άλλη συσκευή. Μην επιχειρήσετε να καθίσετε ή να σταθείτε στο επάνω μέρος της συσκευής σας, καθώς δεν έχει σχεδιαστεί για τέτοια χρήση. Θα μπορούσατε να τραυματίσετε τον εαυτό σας ή να καταστρέψετε τη συσκευή.

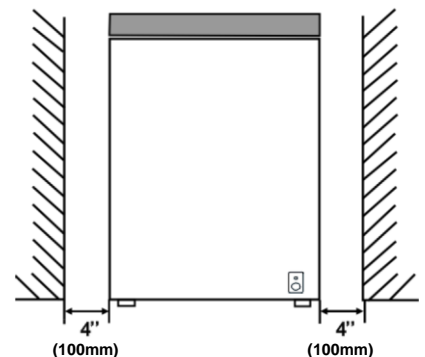
ΣΗΜΑΝΤΙΚΟ: Βεβαιωθείτε ότι το καλώδιο τροφοδοσίας ρεύματος δεν παγιδεύεται κάτω από τη συσκευή κατά τη διάρκεια και μετά τη μεταφορά / μετακίνηση της συσκευής, για να αποφύγετε την αποκοπή ή την καταστροφή του καλωδίου τροφοδοσίας ρεύματος.

Κατά την τοποθέτηση της συσκευής, επιδείξτε προσοχή για να μην προκαλέσετε ζημιά στο δάπεδο, σε σωλήνες, επενδύσεις τοίχων κ.λπ. Μην μετακινείτε τη συσκευή τραβώντας από το κάλυμμα ή τη λαβή. Μην επιτρέψετε στα παιδιά να παίζουν με τη συσκευή ή να παραβιάζουν τα χειριστήρια. Η εταιρεία μας αρνείται να αποδεχτεί οποιαδήποτε ευθύνη σε περίπτωση που δεν ακολουθούνται οι οδηγίες.

ΟΔΗΓΙΕΣ ΕΓΚΑΤΑΣΤΑΣΗΣ

1. Εάν είναι δυνατόν, αποφύγετε την τοποθέτηση της συσκευής κοντά σε κουζίνες, καλοριφέρ ή σε άμεσο ηλιακό φως, καθώς κάτι τέτοιο θα προκαλέσει τη λειτουργία του συμπιεστή για μεγάλα χρονικά διαστήματα. Εάν τοποθετηθεί δίπλα σε πηγή θερμότητας ή ψυγείο, διατηρήστε τα ακόλουθα ελάχιστα πλευρικά διάκενα:

Από κουζίνες	4" (100 mm)
Από καλοριφέρ	12" (300 mm)
Από ψυγεία	4" (100 mm)
2. Βεβαιωθείτε ότι υπάρχει αρκετός χώρος γύρω από τη συσκευή για να διασφαλιστεί η ελεύθερη κυκλοφορία του αέρα. Σε ιδανικές συνθήκες, πρέπει να εξασφαλίζεται χώρος όχι μικρότερος από 10 cm γύρω από τον καταψύκτη και να διασφαλίζονται διάκενα σύμφωνα με το παρακάτω διάγραμμα.
3. Η συσκευή θα πρέπει να στηρίζεται σε λεία επιφάνεια.
4. Απαγορεύεται η χρήση του ψυγείου σε εξωτερικούς χώρους.
5. Προστασία από την υγρασία. Για να αποφύγετε τη σκουριά στα μεταλλικά μέρη του ψυγείου, μην τοποθετείτε τον καταψύκτη σε υγρά μέρη ή σε χώρους με υγρασία. Και μην ψεκάζετε νερό στον καταψύκτη, καθώς κάτι τέτοιο εξασθενεί τη μόνωση και προκαλεί διαρροές ρεύματος.



6. Ανατρέξτε στην ενότητα "Καθαρισμός και φροντίδα" για την προετοιμασία της συσκευής για χρήση.
7. Εάν ο καταψύκτης εγκατασταθεί σε μη θερμαινόμενους χώρους, γκαράζ κ.λπ., σε ψυχρές συνθήκες μπορεί να σχηματιστεί συμπύκνωση στις εξωτερικές επιφάνειες. Αυτό είναι απολύτως φυσιολογικό και δεν αποτελεί βλάβη. Απομακρύνετε τη συμπύκνωση σκουπίζοντας με ένα στεγνό πανί.

ΕΚΚΙΝΗΣΗ

Τελικός έλεγχος

Πριν την έναρξη της χρήσης του καταψύκτη, ελέγξτε τα εξής:

1. Το εσωτερικό είναι στεγνό και ο αέρας μπορεί να κυκλοφορεί ελεύθερα στο πίσω μέρος.
2. Καθαρίστε το εσωτερικό όπως συνιστάται στην ενότητα "ΚΑΘΑΡΙΣΜΟΣ ΚΑΙ ΦΡΟΝΤΙΔΑ".
3. Συνδέστε το φως στην πρίζα και ενεργοποιήστε την παροχή ρεύματος. Η κόκκινη ενδεικτική λυχνία θα ανάψει. Αποφύγετε την τυχαία αποσύνδεση εφαρμόζοντας ταινία πάνω από τον διακόπτη. Η πράσινη ενδεικτική λυχνία θα ανάψει και ο συμπιεστής θα ξεκινήσει να λειτουργεί.
4. Κατά την εκκίνηση του συμπιεστή μεταδίδεται θόρυβος. Το υγρό και τα αέρια που έχουν σφραγιστεί στο σύστημα ψύξης μπορεί επίσης να προκαλούν θόρυβο, είτε ο συμπιεστής λειτουργεί είτε όχι, κάτι που είναι απολύτως φυσιολογικό.
5. Εάν πρόκειται να αποθηκεύσετε ήδη κατεψυγμένα τρόφιμα, ανοίξτε το κάλυμμα του καταψύκτη και ελέγξτε ότι ο καταψύκτης έχει φτάσει στη σωστή θερμοκρασία. Στη συνέχεια, μπορείτε να τοποθετήσετε μέσα τα ήδη κατεψυγμένα τρόφιμα.
6. Μην φορτώνετε τη συσκευή αμέσως μετά την ενεργοποίησή της. Περιμένετε μέχρι να επιτευχθεί η σωστή θερμοκρασία αποθήκευσης. Συνιστάται να ελέγχετε τη θερμοκρασία με ένα ακριβές θερμόμετρο.

Σημαντικές σημειώσεις:

- Σε περίπτωση διακοπής ρεύματος, μην ανοίξετε το κάλυμμα. Τα κατεψυγμένα τρόφιμα δεν θα πρέπει να επηρεαστούν εάν οι διακοπή διαρκέσει λιγότερο από 20 ώρες. Εάν η διακοπή έχει μεγαλύτερη διάρκεια, τα τρόφιμα πρέπει να ελεγχθούν και να καταναλωθούν άμεσα ή να μαγειρευτούν και να καταψυχθούν εκ νέου.
- Εάν διαπιστώσετε ότι το κάλυμμα του καταψύκτη είναι δύσκολο να ανοίξει αμέσως μόλις το κλείσετε, μην ανησυχείτε. Αυτό οφείλεται στη διαφορά πίεσης που θα εξισωθεί σχεδόν αμέσως και θα επιτρέψει στο κάλυμμα να ανοίξει κανονικά μετά από λίγα λεπτά.

ΛΕΙΤΟΥΡΓΙΑ ΚΑΤΑΨΥΚΤΗ

Ο πίνακας οθόνης απεικονίζεται στα παρακάτω σχήματα:



Λειτουργίες:

Όταν το σύστημα ενεργοποιηθεί για πρώτη φορά, ανάβουν όλες οι ενδεικτικές λυχνίες LED και η ψηφιακή οθόνη. Η κανονική οθόνη αποκαθίσταται σε 2 δευτερόλεπτα. Όταν η ψηφιακή οθόνη προβολής είναι ενεργοποιημένη, σβήνει αυτόματα εάν δεν χρησιμοποιηθεί κανένα πλήκτρο εντός διαστήματος 3 λεπτών. Σε αυτή την περίπτωση όλα τα πλήκτρα θα κλειδώσουν. Όταν η οθόνη είναι απενεργοποιημένη, μπορείτε να την αφυπνίσετε πατώντας οποιοδήποτε πλήκτρο για πρώτη φορά και, στη συνέχεια, πατώντας παρατεταμένα το πλήκτρο "-" για 3 δευτερόλεπτα για να ξεκλειδώσετε τα πλήκτρα.

★ Ψυγείο/Καταψύκτης

1) Εύρος ρυθμίσεων θερμοκρασίας: 8°C~2°C στη λειτουργία ψυγείου και -12°C ~ -24°C στη λειτουργία καταψύκτη. Οι τιμές αυτές μπορούν να ρυθμιστούν με κυκλικό τρόπο για την εφαρμογή της λειτουργίας ψυγείου/καταψύκτη.

2) Μετά το ξεκλείδωμα των πλήκτρων, η ένδειξη θερμοκρασίας αρχίζει να αναβοσβήνει όταν πατήσετε το πλήκτρο "+" / "-" για πρώτη φορά, ενώ οι τιμές θερμοκρασίας ενδέχεται να αλλάξουν αυτήν τη στιγμή.

Κατά τη ρύθμιση της θερμοκρασίας: εάν η θερμοκρασία έχει ρυθμιστεί στους 2 °C, θα προσαρμοστεί στους -12°C αφού πατήσετε το πλήκτρο "-". Εάν η θερμοκρασία έχει ρυθμιστεί στους -24 °C, θα προσαρμοστεί στους 8 °C αφού πατήσετε το πλήκτρο "-". Εάν η θερμοκρασία έχει ρυθμιστεί στους -12°C, θα προσαρμοστεί στους 2°C αφού πατήσετε το πλήκτρο "+" και αν η θερμοκρασία έχει ρυθμιστεί στους 8°C, θα προσαρμοστεί στους -24C αφού πατήσετε το πλήκτρο "+".

★ Ρύθμιση θερμοκρασίας ψυγείου


Μπορείτε να ρυθμίσετε την τιμή της θερμοκρασίας πατώντας το πλήκτρο "+" / "-". Όταν πατηθεί το πλήκτρο "+" / "-" για πρώτη φορά, η τιμή της θερμοκρασίας υπόκειται σε αλλαγές και όταν πατηθεί ξανά το πλήκτρο "+" / "-", η ρυθμισμένη θερμοκρασία αυξάνεται/μειώνεται κατά 1°C αντίστοιχα. Όταν το εύρος θερμοκρασίας ρυθμιστεί στους 8°C~2°C, ενεργοποιείται η λειτουργία ψυγείου.

★ Ρύθμιση θερμοκρασίας καταψύκτη

Μπορείτε να ρυθμίσετε την τιμή της θερμοκρασίας πατώντας το πλήκτρο "+" / "-". Όταν πατηθεί το πλήκτρο "+" / "-" για πρώτη φορά, η τιμή της θερμοκρασίας υπόκειται σε αλλαγές και όταν πατηθεί ξανά το πλήκτρο "+" / "-", η ρυθμισμένη θερμοκρασία αυξάνεται/μειώνεται κατά 1°C αντίστοιχα. Όταν το εύρος θερμοκρασίας έχει ρυθμιστεί στους -12°C~-24°C, ενεργοποιείται η λειτουργία καταψύκτη.

★ Γρήγορη ψύξη (Fast Freeze)

Όταν ενεργοποιηθεί η λειτουργία γρήγορης ψύξης "Fast Freeze", η θερμοκρασία του καταψύκτη ρυθμίζεται αυτόματα στους -32°C και μετά από λειτουργία 26 ωρών, η λειτουργία Fast Freeze τερματίζεται. Η γρήγορη μείωση της θερμοκρασίας του καταψύκτη συμβάλλει στην πρόληψη της απώλειας των θρεπτικών συστατικών των τροφίμων και τη διατήρηση της φρεσκάδας.

1)  Όταν η λειτουργία γρήγορης ψύξης "Fast Freeze" είναι ενεργή, η θερμοκρασία εμφανίζεται ως "- 32°C" και δεν μπορεί να αλλάξει.

2) Για είσοδο ή έξοδο από τη λειτουργία γρήγορης ψύξης, Fast Freeze

Όταν τα πλήκτρα είναι ξεκλειδωτά, μπορείτε να κρατήσετε πατημένο το πλήκτρο "+" για 3 δευτερόλεπτα για να εισέλθετε ή να εξέλθετε από τη λειτουργία γρήγορης ψύξης "Fast Freeze".

Σημείωση: Εάν η θερμοκρασία του καταψύκτη ρυθμιστεί σε τιμή κάτω από το μηδέν (δηλαδή στη λειτουργία κατάψυξης) πριν την ενεργοποίηση της λειτουργίας γρήγορης ψύξης, θα επανέλθει στη ρυθμισμένη θερμοκρασία μετά την έξοδο από τη λειτουργία γρήγορης ψύξης "Fast Freeze". και αν η θερμοκρασία του καταψύκτη έχει ρυθμιστεί σε τιμή πάνω από το μηδέν (δηλαδή στη λειτουργία ψυγείου) πριν την ενεργοποίηση της λειτουργίας γρήγορης ψύξης, θα επιστρέψει στους -18 C ως προεπιλογή μετά την έξοδο από τη λειτουργία "Fast Freeze".

★ Παιδική ασφάλεια (Child Lock)

1) Όταν είναι ενεργοποιημένη η λειτουργία παιδικής ασφάλειας, "Child Lock", η θερμοκρασία και η λειτουργία δεν μπορούν να ρυθμιστούν, για να αποφευχθεί η εσφαλμένη λειτουργία.

2) Για να εισέλθετε στη λειτουργία "Child Lock":

Εάν δεν χρησιμοποιηθεί κάποιο πλήκτρο για διάστημα 3 λεπτών, η λειτουργία "Child Lock" του καταψύκτη θα ενεργοποιηθεί αυτόματα.

3) Για έξοδο από τη λειτουργία "Child Lock":

Μπορείτε να κρατήσετε πατημένο το πλήκτρο "-" για 3 δευτερόλεπτα για να εξέλθετε από τη λειτουργία "Child Lock".

★ Διατήρηση ρυθμίσεων σε περίπτωση διακοπής ρεύματος

Σε περίπτωση διακοπής ρεύματος, το ψυγείο θα διατηρήσει την κατάσταση λειτουργίας πριν από την διακοπή ρεύματος όταν αποκατασταθεί η παροχή ρεύματος.

★ Προστασία καθυστέρησης ενεργοποίησης

Προκειμένου να προστατευθεί ο συμπιεστής του ψυγείου από ζημιά σε περίπτωση διακοπής ρεύματος σε σύντομο χρονικό διάστημα (δηλαδή λιγότερο από 5 λεπτά), ο συμπιεστής δεν θα τεθεί σε λειτουργία αμέσως μετά την ενεργοποίησή του.

★ Συναγερμός βλάβης

Σε περίπτωση που εμφανίζεται το E0 στον πίνακα λειτουργίας, αυτό υποδηλώνει βλάβη στον καταψύκτη. Σε αυτή την περίπτωση, επικοινωνήστε με τον εκπρόσωπο του τμήματος υποστήριξης για να διοργανώσετε επίσκεψη τεχνικής συντήρησης.



Λόγω μεμονωμένων παραγόντων που ενδέχεται να επηρεάζουν το ψυγείο, η πραγματική θερμοκρασία στον θάλαμο ενδέχεται να έχει κάποια απόκλιση από τη ρυθμισμένη θερμοκρασία, πράγμα το οποίο είναι φυσιολογικό φαινόμενο και δεν επηρεάζει την κανονική χρήση του προϊόντος.

ΑΠΟΘΗΚΕΥΣΗ ΚΑΤΕΨΥΓΜΕΝΩΝ ΤΡΟΦΙΜΩΝ

Τα προσυσκευασμένα εμπορικά κατεψυγμένα τρόφιμα θα πρέπει να αποθηκεύονται σύμφωνα με τις οδηγίες του κατασκευαστή των κατεψυγμένων τροφίμων για τον θάλαμο κατάψυξης.

Για να διασφαλιστεί ότι διατηρείται η υψηλή ποιότητα που επιτυγχάνεται από τον κατασκευαστή κατεψυγμένων τροφίμων και τον λιανοπωλητή τροφίμων, θα πρέπει να τηρούνται τα ακόλουθα:

1. Τοποθετήστε τις συσκευασίες στην κατάψυξη όσο το δυνατόν γρηγορότερα μετά την αγορά.
2. Μην υπερβαίνετε τις ημερομηνίες «Ανάλωση έως», «Ημερομηνία λήξης» στη συσκευασία.

ΚΑΤΑΨΥΞΗ ΝΩΠΩΝ ΤΡΟΦΙΜΩΝ

Τοποθετήστε τα νωπά τρόφιμα προς κατάψυξη κοντά στα πλευρικά τοιχώματα για να εξασφαλίσετε γρήγορη ψύξη και μακριά από ήδη κατεψυγμένα τρόφιμα, εάν είναι δυνατόν.

Μην υπερβαίνετε ποτέ αυτή τη μέγιστη χωρητικότητα. Μην καταψύχετε υπερβολικά μεγάλη ποσότητα κάθε φορά.

Η ποιότητα του φαγητού διατηρείται καλύτερα όταν καταψύχεται μέχρι το κέντρο του όσο το δυνατόν γρηγορότερα.

Προσέξτε ιδιαίτερα να μην αναμειγνύετε ήδη κατεψυγμένα και νωπά τρόφιμα.

ΑΠΟΨΥΞΗ

Εκτελέστε απόψυξη δύο φορές το χρόνο ή όταν έχει σχηματιστεί ένα στρώμα πάγου περίπου 7 mm (1/4").

Εναλλακτικά, μπορείτε να απενεργοποιήσετε τον καταψύκτη από τον διακόπτη στην πρίζα και να αφαιρέσετε το φινι από την πρίζα.

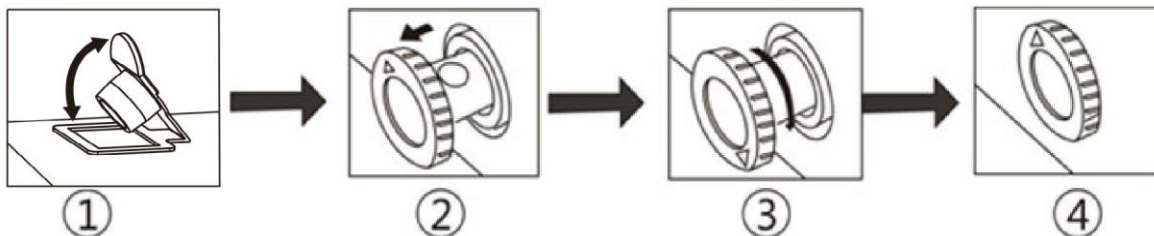
Τραβήξτε τον αγωγό νερού και τοποθετήστε τον σε ένα δοχείο νερού.

6 ώρες πριν από την απόψυξη, ρυθμίστε το κουμπί του θερμοστάτη στη θέση "-24" για να βεβαιωθείτε ότι τα τρόφιμα βρίσκονται στη χαμηλότερη θερμοκρασία κατά την αφαίρεσή τους. Όλα τα τρόφιμα πρέπει να τυλίγονται σε πολλές στρώσεις εφημερίδας και να φυλάσσονται σε δροσερό μέρος (π.χ. ψυγείο ή κελάρι).

Αφαιρέστε το καλάθι του καταψύκτη. Αφήστε το κάλυμμα ανοιχτό. Μπορείτε να τοποθετήσετε προσεκτικά δοχεία με ζεστό νερό στον καταψύκτη για να επιταχυνθεί η απόψυξη.

Μην χρησιμοποιείτε ποτέ στεγνωτήρα μαλλιών, ηλεκτρικές θερμάστρες ή άλλες τέτοιες ηλεκτρικές συσκευές για απόψυξη.

Όταν ολοκληρωθεί η απόψυξη, αποστραγγίστε το νερό απόψυξης που συλλέγεται στο κάτω μέρος του καταψύκτη, σύμφωνα με το παρακάτω διάγραμμα και στεγνώστε καλά το εσωτερικό. Ενεργοποιήστε τη λειτουργία γρήγορης ψύξης, Fast Freeze και αφήστε τη να λειτουργήσει για περίπου τρεις ώρες.



1. Στο κάτω μέρος της επένδυσης του καταψύκτη παρέχεται μια έξοδος αποστράγγισης. Κατά την απόψυξη, αφαιρέστε την ελαστική τάπα και, στη συνέχεια, το νερό της απόψυξης θα αποστραγγιστεί και απομακρυνθεί από τον σωλήνα αποστράγγισης.

2. Τραβήξτε τον αγωγό νερού κατά 20-25 mm μέχρι να μπορείτε να δείτε την οπή νερού.

3. Περιστρέψτε τον αγωγό νερού μέχρι το βέλος να είναι στραμμένο προς τα κάτω.

4. Αφού ολοκληρωθεί η απόψυξη, βεβαιωθείτε ότι δεν εξέρχεται άλλο νερό πριν επανατοποθετήσετε τον αγωγό νερού στη θέση του και στρέψτε το βέλος προς τα πάνω.

Σημαντικές σημειώσεις:

- Μην χρησιμοποιείτε αιχμηρά ή αιχμηρά αντικείμενα όπως μαχαίρια ή πιρούνια για να αφαιρέσετε τον παγετό.
- Μην χρησιμοποιείτε ποτέ στεγνωτήρα μαλλιών, ηλεκτρικές θερμάστρες ή άλλες τέτοιες ηλεκτρικές συσκευές για απόψυξη.
- Είναι φυσιολογικό να εμφανίζονται σταγόνες νερού ή παγετού στο κολάρο του καταψύκτη και στις φλάντζες της πόρτας σε συνθήκες υγρασίας. Αυτό δεν επηρεάζει την κανονική χρήση. Σε αυτή την περίπτωση, καθαρίστε έγκαιρα με ένα στεγνό πανί!

ΚΑΘΑΡΙΣΜΟΣ ΚΑΙ ΦΡΟΝΤΙΔΑ.

** Συνιστάται να απενεργοποιήσετε τον καταψύκτη από την πρίζα και να αφαιρέσετε το φινι πριν τον καθαρισμό.

** Μην χρησιμοποιείτε ποτέ αιχμηρά λειαντικά εργαλεία, σαπούνι, οικιακό καθαριστικό, απορρυπαντικό και βερνίκι κεριού για τον καθαρισμό.

** Χρησιμοποιήστε χλιαρό νερό για να καθαρίσετε τον θάλαμο του καταψύκτη και στεγνώστε με πανί.

** Χρησιμοποιήστε ένα νωπό πανί στυμμένο σε διάλυμα από ένα κουταλάκι του γλυκού διττανθρακική σόδα σε μια λίτρο νερό για να καθαρίσετε το εσωτερικό και σκουπίστε για να στεγνώσετε.

** Η περίσσεια απόθεσης πάγου πρέπει να απομακρύνεται σε τακτική βάση χρησιμοποιώντας πλαστική σπάτουλα πάγου που διατίθεται σε τοπικό κατάστημα.

Η μεγάλη συσσώρευση πάγου μειώνει την απόδοση του καταψύκτη.

** Εάν ο καταψύκτης δεν πρόκειται να χρησιμοποιηθεί για μεγάλο χρονικό διάστημα, απενεργοποιήστε τον, αφαιρέστε όλα τα τρόφιμα, καθαρίστε τον και αφήστε το κάλυμμα μισάνοιχτο.

** Ελέγχετε τακτικά τις στεγανοποιήσεις του καλύμματος για να βεβαιωθείτε ότι είναι καθαρές και απαλλαγμένες από σωματίδια τροφίμων.

Σημαντικές σημειώσεις:

Ποτέ μην χρησιμοποιείτε νερό για να πλύνετε τη θέση του συμπιεστή, σκουπίστε το με ένα στεγνό πανί καλά μετά τον καθαρισμό για να αποφύγετε τη σκουριά.

ΤΙ ΠΡΕΠΕΙ ΚΑΙ ΤΙ ΔΕΝ ΠΡΕΠΕΙ ΝΑ ΚΑΝΕΤΕ

Πρέπει να - Ξεπαγώνετε σωστά τα τρόφιμα από τον καταψύκτη σε ψυγείο ή σε φούρνο μικροκυμάτων ακολουθώντας τις οδηγίες απόψυξης και μαγειρέματος.

Πρέπει να - Διασφαλίσετε ότι το κάλυμμα του καταψύκτη είναι τελείως κλειστό μετά από κάθε χρήση.

Πρέπει να - Ξεπαγώνετε τελείως το κατεψυγμένο κρέας πριν το ψήσετε.

Πρέπει να - Κλείνετε απαλά το κάλυμμα.

- Πρέπει να** - Ελέγχετε τα περιεχόμενα του καταψύκτη ανά τακτά χρονικά διαστήματα.
- Πρέπει να** - Καθαρίζετε και ξεπαγώνετε τακτικά τον καταψύκτη (Ανατρέξτε στην ενότητα «Απόψυξη»)
- Πρέπει να** - Διατηρείτε τα τρόφιμα για όσο το δυνατόν μικρότερο χρονικό διάστημα και τηρείτε τις ημερομηνίες «Ανάλωση έως», «Ημερομηνία λήξης».
- Πρέπει να** - Αποθηκεύετε τα κατεψυγμένα τρόφιμα του εμπορίου σύμφωνα με τις οδηγίες που παρέχονται στις συσκευασίες που αγοράζετε.
- Πρέπει να** - Επιλέγεται πάντα νωπά τρόφιμα υψηλής ποιότητας και φροντίζετε να τα καθαρίζετε καλά πριν την κατάψυξη.
- Πρέπει να** - Προετοιμάστε τα νωπά τρόφιμα για κατάψυξη σε μικρές μερίδες για να εξασφαλίσετε γρήγορη κατάψυξη.
- Πρέπει να** - Τυλίγεται όλα τα τρόφιμα σε αλουμινοχαρτό ή πλαστικές σακούλες ποιότητας κατάψυξης και βεβαιωθείτε ότι απομακρύνετε τον αέρα.
- Πρέπει να** - Τυλίγεται τα κατεψυγμένα τρόφιμα κατά την αγορά και τοποθετήστε τα στον καταψύκτη το συντομότερο δυνατό.
- Πρέπει να** - Αποθηκεύεται τα μικρά αντικείμενα στο καλάθι που παρέχεται.
- Πρέπει να** - Αφαιρείτε το παγωτό από την κατάψυξη 10-20 λεπτά πριν το σερβίρετε.
- Δεν πρέπει να** - Αφήνεται το καπάκι ανοιχτό για μεγάλα χρονικά διαστήματα, καθώς κάτι τέτοιο θα αυξήσει το κόστος λειτουργίας του καταψύκτη και θα προκαλέσει υπερβολικό σχηματισμό πάγου.
- Δεν πρέπει να** - Χρησιμοποιείται αιχμηρά αντικείμενα με αιχμηρά άκρα, όπως μαχαιρία, πιρούνια για να αφαιρέσετε τον πάγο.
- Δεν πρέπει να** - Τοποθετείτε θερμό φαγητό στον καταψύκτη. Αφήστε το να κρυώσει πρώτα.
- Δεν πρέπει να** - Τοποθετείτε φιάλες με υγρά ή σφραγισμένα δοχεία που περιέχουν ανθρακούχα υγρά στην κατάψυξη καθώς μπορεί να διαραγούν.
- Δεν πρέπει να** - Αποθηκεύεται δηλητηριώδεις ή επικίνδυνες ουσίες στον καταψύκτη. Ο καταψύκτης έχει σχεδιαστεί για αποθήκευση μόνο βρώσιμων τροφίμων.
- Δεν πρέπει να** - Καταναλώνεται παγωτό και γρανίτες απευθείας από την κατάψυξη. Η χαμηλή θερμοκρασία μπορεί να προκαλέσει «εγκαύματα παγετού» στα χείλη.
- Δεν πρέπει να** - Καταψύχεται ανθρακούχα ποτά.
- Δεν πρέπει να** - Προσπαθήστε να διατηρήσετε κατεψυγμένα τρόφιμα που έχουν αποψυχθεί, πρέπει να καταναλωθούν εντός 24 ωρών ή να μαγειρευτούν και να καταψυχθούν εκ νέου.
- Δεν πρέπει να** - Αφαιρείτε αντικείμενα από την κατάψυξη με βρεγμένα χέρια.
- Δεν πρέπει να** - Κλείνεται το κάλυμμα με δύναμη. Θα καταστρέψετε τη συσκευή.
- Αυτή η συσκευή δεν προορίζεται για χρήση από άτομα (συμπεριλαμβανομένων των παιδιών) με μειωμένες φυσικές, κινητικές ή διανοητικές ικανότητες ή χωρίς εμπειρία και γνώσεις, εκτός και εάν εποπτεύονται ή έχουν λάβει οδηγίες αναφορικά με τη χρήση της συσκευής από πρόσωπο υπεύθυνο για την ασφάλειά τους
 - Τα παιδιά πρέπει να εποπτεύονται συνεχώς ώστε να διασφαλιστεί ότι δεν παίζουν με τη συσκευή.
 - Μην αποθηκεύετε εκρηκτικές ουσίες όπως δοχεία αερολύματος με εύφλεκτο περιεχόμενο σε αυτή τη συσκευή.
 - Αυτή η συσκευή έχει σχεδιαστεί αποκλειστικά για χρήση σε οικιακές και παρόμοιες εφαρμογές, όπως χώρους κουζίνας προσωπικού σε καταστήματα, γραφεία και άλλα εργασιακά περιβάλλοντα. αγροικίες και από πελάτες σε ξενοδοχεία, μοτέλ και άλλα περιβάλλοντα οικιστικού τύπου, καθώς και σε ξενοδοχειακές επιχειρήσεις bed-and-breakfast, εστίασης και παρόμοιες εφαρμογές μη-λιανικής.
 - Αν το καλώδιο παροχής ρεύματος έχει φθαρεί πρέπει να αντικατασταθεί από τον κατασκευαστή, τον αντιπρόσωπο του σέρβις ή παρόμοια εξουσιοδοτημένα πρόσωπα, προς αποφυγή του κινδύνου.

Αλλαγή λαμπτήρα

Για τον φωτισμό του ψυγείου χρησιμοποιείται λαμπτήρας LED με χαμηλή κατανάλωση ενέργειας και μεγάλη διάρκεια ζωής. Σε περίπτωση οποιουδήποτε προβλήματος, επικοινωνήστε με το προσωπικό εξυπηρέτησης πελατών για να διοργανώσετε επίσκεψη τεχνικής συντήρησης. Οι λαμπτήρες μπορούν να αντικατασταθούν μόνο από τον κατασκευαστή.

Τύπος λαμπτήρα: Λαμπτήρας LED.

Επίπεδο ενεργειακής απόδοσης: F


ΣΤΟΙΧΕΙΑ ΗΛΕΚΤΡΙΚΩΝ ΣΥΝΔΕΣΕΩΝ

ΑΥΤΗ Η ΣΥΣΚΕΥΗ ΠΡΕΠΕΙ ΝΑ ΓΕΙΩΘΕΙ.

Αυτή η συσκευή είναι εξοπλισμένη με ακροδέκτη τριών ακίδων με ασφάλεια στο BS 1363 και είναι κατάλληλη για χρήση σε κάθε οικία που διαθέτει πρίζες σύμφωνες με τις τρέχουσες προδιαγραφές.

Εάν το τοποθετημένο φως δεν είναι κατάλληλο για τις πρίζες σας, θα πρέπει να αφαιρεθεί και να απορριφθεί προσεκτικά. Για να αποφύγετε πιθανό κίνδυνο ηλεκτροπληξίας, μην εισάγετε το απορριφθέν φως σε πρίζα.

Αυτή η συσκευή συμμορφώνεται με τις Οδηγίες της ΕΟΚ:

Ορθή απόρριψη του προϊόντος	
	<p>Η παρούσα σήμανση υποδεικνύει ότι αυτό το προϊόν δεν πρέπει να απορρίπτεται μαζί με άλλα οικιακά απορρίμματα σε ολόκληρη την ΕΕ. Για να αποτρέψετε πιθανή βλάβη στο περιβάλλον ή στην ανθρώπινη υγεία από τον ανεξέλεγκτο όγκο απορριμμάτων, ανακυκλώστε τη συσκευή υπεύθυνα για να προωθήσετε τη βιώσιμη επαναχρησιμοποίηση των υλικών πόρων. Για να επιστρέψετε τη μεταχειρισμένη συσκευή σας, χρησιμοποιήστε τα συστήματα επιστροφής και συλλογής ή επικοινωνήστε με τον πωλητή από τον οποίο αγοράσατε το προϊόν. Μπορεί να συλλέξει αυτό το προϊόν για περιβαλλοντικά ασφαλή ανακύκλωση.</p>

Προειδοποιήσεις σχετικά με την απόρριψη

- ✳ Το ψυκτικό μέσο και το αφρώδες υλικό κυκλοπεντανίου που χρησιμοποιούνται για το ψυγείο είναι εύφλεκτα. Ως εκ τούτου, κατά την απόρριψη του ψυγείου, πρέπει να φυλάσσεται μακριά από οποιαδήποτε πηγή πυρκαγιάς και να παραλαμβάνεται από ειδική εταιρεία ανάκτησης υλικών με αντίστοιχη ειδίκευση στην απόρριψή της με τρόπο διαφορετικό της απόρριψης με καύση, ώστε να αποφευχθεί ζημιά στο περιβάλλον ή οποιαδήποτε άλλη βλάβη.
- ✳ Κατά την απόρριψη του ψυγείου, αποσυναρμολογήστε τις θύρες και αφαιρέστε τη φλάντζα της θύρας και τα ράφια. τοποθετήστε τις θύρες και τα ράφια σε κατάλληλη θέση, για να αποτρέψετε πιθανή παγίδευση παιδιών.

πρόσβαση σε επαγγελματική επισκευή, όπως ιστοσελίδες, διευθύνσεις, στοιχεία επικοινωνίας,

Λίστα κέντρων εξυπηρέτησης μετά την πώληση:

Διεύθυνση	
Τηλέφωνο επικοινωνίας	
Ιστότοπος	
Κωδικός QR	

Σημείωση: Η διεύθυνση ή ο αριθμός τηλεφώνου επικοινωνίας της εγκατάστασης εξυπηρέτησης υπόκεινται σε αλλαγές χωρίς προηγούμενη ειδοποίηση. Ελέγξτε κατά πόσο το κέντρο εξυπηρέτησής σας είναι άμεσα συνεργαζόμενο με την εταιρεία μας όταν ζητάτε τεχνικές υπηρεσίες.

σχετικές πληροφορίες για την παραγγελία ανταλλακτικών, απευθείας ή μέσω άλλων καναλιών παρέχονται από τον κατασκευαστή, τον εισαγωγέα ή τον εξουσιοδοτημένο αντιπρόσωπο,

ελάχιστο διάστημα κατά το οποίο διατίθενται ανταλλακτικά, απαραίτητα για την επισκευή της συσκευής,

οδηγίες για τον τρόπο εύρεσης των πληροφοριών μοντέλου στη βάση δεδομένων προϊόντων, όπως ορίζεται στον Κανονισμό (ΕΕ) 2019/2019 μέσω συνδέσμου ιστού που συνδέεται με τις πληροφορίες μοντέλου όπως αυτές είναι αποθηκευμένες στη βάση δεδομένων του προϊόντος ή μέσω συνδέσμου προς τη βάση δεδομένων του προϊόντος και πληροφορίες σχετικά με τον εντοπισμό του αναγνωριστικού του μοντέλου στο προϊόν.)

CONGELADOR HORIZONTAL
MANUAL DE INSTRUCCIONES

N.º DE MODELO:

CMCH 100 D

CMCH 150 D

CMCH 200 D

SEGURIDAD



¡ADVERTENCIA!

Es peligroso para cualquier persona que no sea personal de servicio autorizado realizar tareas de mantenimiento o reparaciones que impliquen quitar las cubiertas. Para evitar el riesgo de descarga eléctrica, no intente reparar este electrodoméstico usted mismo.

¡ADVERTENCIA!

Riesgo de incendio/material inflamable.



Consejos de seguridad

No utilice aparatos eléctricos como secadores de pelo o calentadores para descongelar su congelador.

Los recipientes con gases o líquidos inflamables pueden tener fugas a bajas temperaturas.

No guarde en el congelador ningún recipiente con materiales inflamables, como latas de aerosol, cartuchos de repuesto para extintores, etc.

No coloque bebidas carbonatadas o gaseosas en el compartimento del congelador. Los polos de hielo pueden causar «quemaduras por hielo/congelación». Si se consume directamente del congelador.

No saque artículos del compartimento congelador si sus manos están húmedas o mojadas, ya que esto podría causar abrasiones en la piel o «quemaduras por hielo/congelación». Las botellas y latas no deben colocarse en el compartimento del congelador, ya que pueden explotar cuando el contenido se congela.

Deben respetarse los tiempos de almacenamiento recomendados por el fabricante. Consulte las instrucciones pertinentes.

No permita que los niños manipulen los controles o jueguen con el congelador. El congelador es pesado. Hay que tener cuidado al moverlo. Es peligroso alterar las especificaciones o intentar modificar este producto de cualquier forma.

No almacene gases o líquidos inflamables en el interior del congelador.

Si el cable de alimentación está dañado, debe ser sustituido por el fabricante, por su servicio técnico o por cualquier profesional cualificado similar para evitar riesgos.

Este electrodoméstico puede ser utilizado por niños a partir de 8 años y por personas con capacidades físicas, sensoriales o mentales reducidas, o sin experiencia o conocimientos previos, siempre y cuando hayan recibido la supervisión y las instrucciones necesarias para utilizar el electrodoméstico de forma segura y comprendan los riesgos que implica. Los niños no deben jugar con este electrodoméstico. Las operaciones de limpieza y mantenimiento no deben ser realizadas por niños sin supervisión.

Este electrodoméstico de refrigeración no está diseñado para ser utilizado como un electrodoméstico integrado.

Este aparato está diseñado para su uso doméstico y para aplicaciones similares, tales como:

- Cocinas para personal en tiendas, oficinas y otros entornos de trabajo.
- Granjas y el uso por clientes en hoteles, moteles y otros entornos de tipo residencial.
- Entornos tipo pensión.
- Catering y aplicaciones similares no minoristas.

No obstruya las aberturas de ventilación del armazón del electrodoméstico o de la estructura integrada.

No utilice dispositivos mecánicos ni otros equipos para acelerar el proceso de descongelación, salvo aquellos recomendados por el fabricante.

No dañe el circuito del refrigerante.

No use dispositivos eléctricos dentro de los compartimentos para alimentos del electrodoméstico, salvo que sean del tipo recomendado por el fabricante.

No almacene en este electrodoméstico sustancias explosivas, como botes de aerosol con propelente inflamable.

Este electrodoméstico no está pensado para ser utilizado por personas (incluidos niños) con capacidades físicas, sensoriales o mentales reducidas o con falta de experiencia y conocimiento, a no ser que sea bajo supervisión o después de recibir instrucciones precisas respecto al uso del electrodoméstico por parte de una persona responsable de su seguridad. En presencia de niños, mantenga el aparato bajo control para evitar que jueguen con él.

- **ADVERTENCIA:** No obstruya las aberturas de ventilación del armazón del electrodoméstico o de la estructura integrada.

- **ADVERTENCIA:** No utilice dispositivos mecánicos ni otros equipos para acelerar el proceso de descongelación, salvo aquellos recomendados por el fabricante.

- **ADVERTENCIA:** No dañe el circuito del refrigerante.

- **ADVERTENCIA:** No use dispositivos eléctricos dentro de los compartimentos para alimentos del electrodoméstico, salvo que sean del tipo recomendado por el fabricante.

- **ADVERTENCIA:** Es posible que los electrodomésticos de refrigeración (en particular, un frigorífico-congelador Tipo I) no funcionen correctamente (posibilidad de descongelación del contenido o de aumento excesivo de la temperatura en el compartimento de alimentos congelados) cuando se deja durante un período prolongado de tiempo por debajo del límite de temperatura para el que ha sido diseñado.

- **ADVERTENCIA:** La necesidad de que, para puertas o tapas dotadas de cerraduras y llaves, las llaves se mantengan fuera del alcance de los niños y lejos del electrodoméstico de refrigeración, a fin de evitar que los niños queden encerrados en su interior.

- **ADVERTENCIA:** El refrigerante utilizado en su electrodoméstico y los materiales aislantes requieren procedimientos especiales de eliminación.

- **ADVERTENCIA:** Al posicionar el electrodoméstico, asegúrese de que el cable de alimentación no está atrapado o dañado.

- **ADVERTENCIA:** No coloque múltiples tomas de corriente portátiles ni fuentes de alimentación portátiles en la parte trasera del electrodoméstico.

Se permite que niños de entre 3 y 8 años pongan y saquen alimentos en y de los aparatos de refrigeración. Para evitar que los alimentos puedan contaminarse, cíñase a las siguientes instrucciones:

- Dejar la puerta abierta durante largos períodos de tiempo puede causar un aumento significativo de la temperatura en los compartimentos del electrodoméstico.

- Limpie regularmente las superficies que puedan entrar en contacto con alimentos y los sistemas de drenaje accesibles.

- Limpie los depósitos de agua si no se han utilizado durante 48 h; enjuague el circuito del agua conectado a un suministro de agua si no se ha utilizado agua durante 5 días.

- Guarde la carne cruda y el pescado en recipientes adecuados en el refrigerador de manera que no entren en contacto ni goteen sobre otros alimentos.

- Los compartimentos marcados con dos estrellas para alimentos congelados son adecuados para guardar alimentos congelados previamente, para guardar o hacer helados y para hacer cubitos de hielo.

- Los compartimentos marcados con una, dos y tres estrellas no son aptos para congelar alimentos frescos.

- Si deja el frigorífico vacío durante largos períodos, apáguelo, elimine la escarcha, límpielo, séquelo y deje la puerta abierta para evitar la proliferación de moho en su interior.

Rango climático

La información sobre el rango climático del electrodoméstico se proporciona en la placa de datos. Indica a qué temperatura ambiente (es decir, la temperatura ambiente a la que funciona el electrodoméstico) el funcionamiento del aparato es óptimo (adecuado).

Rango climático	Temperatura ambiente admisible
SN	de +10 °C a +32 °C
N	de +16 °C a +32 °C
ST	de +16 °C a +38 °C
T	de +16 °C a +43 °C

Nota: Teniendo en cuenta los valores límite del rango de temperaturas ambiente para las clases climáticas para las que está diseñado el aparato de refrigeración y el hecho de que las temperaturas internas podrían verse afectadas por factores como la ubicación del aparato, la temperatura ambiente y la frecuencia de apertura de la puerta, el ajuste de cualquier dispositivo de control de temperatura podría variar para permitir estos factores, si procede.

Si el cable de alimentación está dañado, debe ser sustituido por el fabricante, por su servicio técnico o por cualquier profesional cualificado similar para evitar riesgos.



Nota: Cuando se trabaje en un entorno distinto al tipo de clima especificado (es decir, más allá del rango de temperaturas ambiente nominal), el aparato puede no ser capaz de mantener las temperaturas deseadas en el compartimento.

Bloqueos

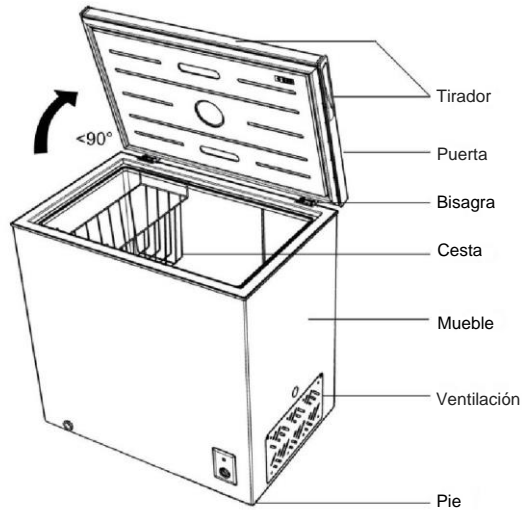
Si su refrigerador está dotado de un bloqueo, guarde la llave fuera de su alcance y no en las cercanías de la aplicación para evitar que los niños se queden atrapados.

Al eliminar un viejo refrigerador, rompa todos los bloqueos o pasadores como una medida de seguridad.

Libre de freón

El refrigerante sin freón (R600a) y el material de aislamiento espumante (ciclopentano) respetuosos con el medio ambiente que se utilizan para el refrigerador no provocan daños en la capa de ozono y tienen un impacto muy pequeño en el calentamiento global. El R600a es inflamable y está sellado en el sistema de refrigeración, sin fugas durante el uso normal. Sin embargo, en caso de fugas de refrigerante debido a que el circuito refrigerante está dañado, asegúrese de mantener el electrodoméstico lejos de las llamas abiertas y abra las ventanas para ventilar lo más rápidamente posible.

NOMBRE DE LAS PARTES



Debido a las evoluciones tecnológicas, es posible que las descripciones de los productos de este manual no coincidan completamente con su congelador. Los detalles se ajustan al producto real.

⚠️ ADVERTENCIA ⚠️: Nunca toque el interior de la cámara del congelador o los alimentos congelados del compartimento con las manos húmedas, ya que esto podría provocar abrasiones por el hielo.

INSTRUCCIONES DE TRANSPORTE

El electrodoméstico debería transportarse siempre en posición recta y vertical. Los elementos de embalaje deben permanecer intactos durante el transporte.

Si durante el transporte, el producto se ha colocado horizontalmente, no solo debe apoyarse en su lado izquierdo (si nos colocamos frente a la puerta frontal), sino que además no debe ponerse en marcha hasta después de transcurridas 4 horas para permitir que el sistema se establezca una vez que el aparato se vuelve a colocar en posición recta.

1. El incumplimiento de las instrucciones anteriores podría provocar daños en el electrodoméstico. El fabricante declina toda responsabilidad si no se respetan estas instrucciones.
2. El electrodoméstico debe protegerse frente a la lluvia, la humedad y otros factores meteorológicos.

IMPORTANTE: Durante la limpieza y el transporte, deberá tener cuidado de no tocar los cables metálicos del condensador en la parte posterior del electrodoméstico, puesto que podría lesionarse los dedos y las manos o dañar el producto.

IMPORTANTE: Este electrodoméstico no se puede instalar apilado sobre otro. No intente sentarse ni ponerse de pie sobre el electrodoméstico pues no ha sido diseñado para dichos usos. Podría dañar el electrodoméstico o sufrir lesiones personales.

IMPORTANTE: Para evitar que se produzcan cortes o daños en el cable de alimentación, asegúrese de que no quede atrapado debajo del electrodoméstico durante y después del transporte/traslado del electrodoméstico.

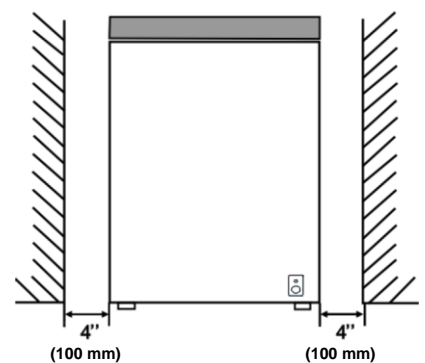
Al colocar el electrodoméstico, tenga cuidado de no causar daños en revestimientos de suelos, tuberías, revestimientos de paredes, etc. No intente mover el electrodoméstico tirando de la puerta o del tirador. No permita que los niños jueguen con el electrodoméstico ni con los controles. Nuestra empresa declina toda responsabilidad en caso de que no se sigan las instrucciones pertinentes.

INSTRUCCIONES DE INSTALACIÓN

1. Si es posible, evite colocar el electrodoméstico cerca de cocinas, radiadores y bajo la luz directa del sol pues esto provocará que el compresor se ponga en marcha durante largos periodos de tiempo. Si se instala junto a una fuente de calor o un refrigerador, respete las distancias de separación mínimas siguientes:

De cocinas	4 pulg. (100 mm)
De radiadores	12 pulg. (300 mm)
De frigoríficos	4 pulg. (100 mm)

2. Asegúrese de dejar espacio suficiente alrededor del aparato para garantizar una circulación del aire óptima. En condiciones ideales, habrá que dejar un espacio no inferior a 10 cm alrededor del electrodoméstico y dejar los huecos indicados en el diagrama siguiente.
3. El electrodoméstico debería instalarse sobre una superficie lisa.
4. Queda terminantemente prohibido utilizar el refrigerador en exteriores.
5. Protección de la humedad. Para evitar que se oxiden las partes metálicas, no debe colocar el congelador en un lugar húmedo. Y no pulverice agua sobre el congelador, pues esto podría debilitar el aislamiento y provocar fugas de corriente.



6. Siga las instrucciones indicadas en el apartado "Limpieza y cuidados" para preparar el electrodoméstico para el uso.
7. Si el congelador se instala en zonas sin calefacción, garajes, etc., es posible que se produzca condensación en las superficies exteriores durante los meses más fríos. Este fenómeno es bastante habitual y no es un defecto del electrodoméstico. Puede retirar la condensación con un paño seco.

PUESTA EN MARCHA

Comprobación final

Antes de empezar a utilizar el congelador, compruebe que:

1. El interior esté seco y que el aire pueda circular de manera óptima por su parte posterior.
2. Limpie el interior tal y como se recomienda en «LIMPIEZA Y CUIDADOS».
3. Inserte el enchufe en la toma mural y encienda el suministro eléctrico; el piloto luminoso rojo se encenderá. Evite tocar el enchufe y provocar una desconexión accidental. El piloto luminoso verde se encenderá y el compresor empezará a funcionar.
4. Al arrancar, el compresor emitirá un sonido. Los líquidos y los gases en el interior del sistema de refrigeración estanco también podrán emitir sonidos, tanto si el compresor está en funcionamiento como si no, algo que resulta normal.
5. Si va a guardar alimentos ya congelados en el congelador, abra la puerta del mismo y compruebe que este haya alcanzado la temperatura correcta. A continuación, introduzca los alimentos ya congelados.
6. No cargue el electrodoméstico inmediatamente después de su puesta en marcha. Espere hasta que haya alcanzado la temperatura de conservación correcta. Le recomendamos que compruebe la temperatura con un termómetro de precisión.

Notas importantes:

- En caso de corte del suministro eléctrico, no abra la puerta. Si el corte en el suministro eléctrico se prolonga durante menos de 20 horas, los alimentos congelados no deberían verse afectados. Si el corte se prolonga durante más tiempo, deberá procederse a la comprobación de los alimentos y consumirse de inmediato; también se pueden cocinar y volver a congelar.
- Si le resulta difícil abrir la puerta del congelador justo después de cerrarla, no se preocupe. Esto se debe a la diferencia de presión, que se igualará y permitirá abrir la tapa con normalidad después de unos minutos.

FUNCIONAMIENTO DEL CONGELADOR

El panel de visualización se ilustra en las siguientes imágenes:



Funciones:

Cuando el sistema se enciende por primera vez, todos los indicadores LED y la pantalla digital se iluminan y se restaurarán a la pantalla normal en 2 segundos. Cuando la pantalla de visualización digital está encendida, se apagará automáticamente si no se toca ninguna tecla en 3 minutos, con todas las teclas bloqueadas. Cuando la pantalla de visualización está apagada, puede activarla presionando cualquier tecla por primera vez y luego mantenga presionada la tecla "-" durante 3 segundos para desbloquear las teclas.

★ Frigorífico/Congelador

1) Rangos de temperatura ajustables: 8 °C ~ 2 °C en el modo frigorífico y -12 °C ~ -24 °C en el modo congelador, que se puede ajustar circularmente para realizar la función de frigorífico/congelador.

2) Después de desbloquear las teclas, la pantalla de temperatura comienza a parpadear al pulsar la tecla "+" / "-" por primera vez, y los valores de temperatura están sujetos a cambios en este momento.

Al ajustar la temperatura: si la temperatura se ajusta a 2 °C, se ajustará a -12 °C después de pulsar la tecla "-"; si la temperatura se ajusta a -24 °C, se ajustará a 8 °C después de pulsar la tecla "-"; si la temperatura se ajusta a -12 °C, se ajustará a 2 °C después de pulsar la tecla "+"; si la temperatura se ajusta a 8 °C, se ajustará a -24 °C después de pulsar la tecla "+".

★ Ajuste de temperatura del frigorífico


Puede ajustar el valor de la temperatura pulsando la tecla "+" / "-". Cuando se pulsa el botón "+" / "-" por primera vez, el valor de la temperatura está sujeto a cambios; y cuando se pulsa de nuevo el botón "+" / "-", se incrementa o disminuye la temperatura programada en 1 °C. Cuando el rango de temperatura se ajusta a 8 °C ~ 2 °C, se activa el modo frigorífico.

★ Ajuste de temperatura del congelador

Puede ajustar el valor de la temperatura pulsando la tecla "+" / "-". Cuando se pulsa el botón "+" / "-" por primera vez, el valor de la temperatura está sujeto a cambios; y cuando se pulsa de nuevo el botón "+" / "-", se incrementa o disminuye la temperatura programada en 1 °C. Cuando el rango de temperatura se ajusta a -12 °C ~ -24 °C, se activa el modo congelador.

★ Congelación rápida

Cuando se activa la función "Congelación rápida", la temperatura del congelador se ajusta automáticamente a -32 °C y, después de funcionar durante 26 horas, la función de congelación rápida se desactiva. Enfriar la temperatura del congelador de una manera rápida es beneficioso para la prevención de la nutrición alimentaria contra la pérdida y la conservación de la frescura.

1)  Cuando la función "Congelación rápida" está activa, la temperatura se muestra como "- 32 °C", la cual no se puede cambiar.

2) Para entrar o salir de la función Congelación rápida
Cuando se desbloquean las teclas, puede mantener pulsada la tecla "+" durante 3s para entrar o salir de la función "Congelación rápida".

Nota: Si la temperatura del congelador se ajusta por debajo de cero (es decir, en el modo congelador) antes de que se active la función de Congelación rápida, se restaurará a la temperatura programada después de salir de la función "Congelación rápida"; y si la temperatura del congelador está ajustada por encima de cero (es decir, en el modo frigorífico) antes de que se active la función de congelación rápida, volverá a -18 °C por defecto después de que se desactive la función "Congelación rápida".

★ Bloqueo para niños

1) Cuando la función "Bloqueo para niños" está habilitada, la temperatura y la función no se pueden configurar para evitar un mal funcionamiento.

2) Para introducir la función "Bloqueo para niños":
Si no se utiliza ninguna tecla en 3 minutos, la función de "Bloqueo para niños" del congelador se habilitará automáticamente.

3) Para salir de la función "Bloqueo para niños":
Puede mantener pulsado el botón "-" durante 3s para salir de la función "Bloqueo para niños".

★ Memoria de interrupción de energía

En caso de un fallo o interrupción del suministro eléctrico, el congelador mantendrá el estado de funcionamiento anterior al fallo cuando se restablezca el suministro eléctrico.

★ Protección de encendido retardado

Para evitar que el compresor del refrigerador se dañe en caso de producirse una interrupción del suministro eléctrico de corta duración (es decir, menos de 5 minutos), el compresor no se pondrá en marcha inmediatamente después de encenderse.

★ Alarma de fallo

En caso de que se muestre E0 en el panel de operación, se indica un fallo en el congelador. En tal caso, póngase en contacto con el personal de posventa para concertar una visita de mantenimiento.



Debido a factores individuales del refrigerador, la temperatura real de la caja puede tener un cierto error con respecto a la temperatura establecida, lo cual es un fenómeno normal y no afecta el uso normal del producto.

CONSERVACIÓN DE ALIMENTOS CONGELADOS

Los alimentos congelados comercialmente preenvasados se pueden guardar de acuerdo con las instrucciones del fabricante para un compartimento de congelador.

Para garantizar el mantenimiento de la alta calidad ofrecida por el fabricante de alimentos congelados y el distribuidor de los mismos, recuerde lo siguiente:

1. Introduzca los envases en el congelador lo antes posible después de la compra.
2. No rebase las fechas de caducidad (Consumir preferentemente antes de) indicadas en el envase.

CONGELACIÓN DE ALIMENTOS FRESCOS

Coloque los alimentos frescos que desee congelar cerca de las paredes laterales para acelerar el proceso de congelación y, si fuera posible, alejados de otros alimentos ya congelados.

No exceda nunca esta capacidad máxima. No congele demasiados alimentos al mismo tiempo.

La mejor manera de conservar la calidad de los alimentos es si se congelan totalmente en el menor plazo posible.

Preste una atención especial a no mezclar alimentos congelados y frescos.

DESCONGELACIÓN

Proceda a descongelar el electrodoméstico dos veces al año o si se forma una capa de escarcha de unos 7 mm (1/4").

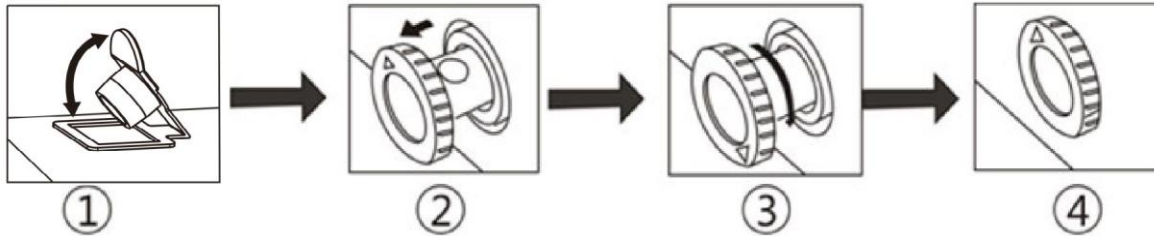
De manera alternativa, puede apagar el congelador en la toma mural y desenchufarlo.

Extraiga el conducto de agua y colóquelo sobre un recipiente.

6 horas antes de la descongelación, ajuste el termostato en la posición "-24" para garantizar que los alimentos se encuentran en la temperatura más baja al sacarlos del congelador. Todos los alimentos deben envolverse en varias capas de periódico y almacenarse en un lugar fresco (por ejemplo, frigorífico o despensa).

Retire la cesta del congelador. Deje la puerta abierta. Podrá colocar con cuidado recipientes de agua caliente en el interior del congelador para acelerar la descongelación.

No utilice secadores de pelo, estufas eléctricas u otros aparatos similares para descongelar. Cuando haya finalizado el proceso de descongelación, vacíe el agua que se acumula en el fondo del congelador tal, y como se indica en el diagrama, y seque a fondo el interior. Ponga en marcha la función de congelación rápida y déjela activada durante unas tres horas.



1. Se ha diseñado una salida de drenaje en la parte inferior del revestimiento del congelador; al descongelar, retire la cubierta de goma; luego, el agua de descongelación sale y se descarga por la tubería de drenaje.
2. Extraiga el conducto de agua unos 20/25 mm hasta que se pueda ver el orificio de vaciado.
3. Gire el conducto de agua hasta que la flecha apunte hacia abajo.
4. Una vez terminada la descongelación, asegúrese de que no sale más agua antes de volver a colocar el conducto de agua en su lugar y coloque la flecha orientada hacia arriba.

Notas importantes:

- No use objetos puntiagudos o afilados como cuchillos o tenedores para eliminar la escarcha.
- No utilice secadores de pelo, estufas eléctricas u otros aparatos similares para descongelar.
- Es normal que aparezcan gotas de agua o escarcha en el cuello del congelador y en las juntas de la puerta en clima húmedo, lo que no afectará el uso normal. En tal caso, límpielas con un paño seco.

LIMPIEZA Y MANTENIMIENTO

** Le recomendamos que apague el congelador en la toma mural y lo desenchufe antes de proceder con la limpieza.

** Para limpiar, no use objetos abrasivos o afilados, jabón, productos de limpieza domésticos, detergentes ni abrillantador de cera.

** Use agua tibia para limpiar el exterior del congelador y séquelo con un paño.

** Para limpiar el interior, use un paño escurrido previamente humedecido con una solución elaborada con agua y bicarbonato sódico (una cucharadita para medio litro de agua) y seque con un paño.

** Elimine los depósitos excesivos de hielo de manera periódica usando un raspador para escarcha de plástico, a la venta en su tienda habitual.

La acumulación de grandes cantidades de escarcha afectará al funcionamiento del congelador.

** Si el congelador no se va a usar durante un largo período de tiempo, apáguelo, retire todos los alimentos, lleve a cabo una limpieza del mismo y deje la puerta abierta.

** Compruebe regularmente las juntas de la puerta para garantizar que estén limpias y libres de partículas de alimentos.

Notas importantes:

Nunca realice un lavado con agua del compresor, simplemente pase un paño seco para evitar el óxido tras la limpieza.

QUÉ HACER Y QUÉ NO HACER

Sí - Descongelar por completo alimentos sacados del congelador en un frigorífico o en un microondas siguiendo las instrucciones de descongelación o cocción.

Sí - Asegurarse de que la puerta del congelador horizontal esté totalmente cerrada después de cada uso.

Sí - Descongelar por completo carne congelada antes de la cocción.

Sí - Cerrar la tapa suavemente.

Sí - Comprobar periódicamente el contenido del congelador.

- Sí** - Limpiar y descongelar el congelador regularmente (vea "Descongelar").
- Sí** - Conservar los alimentos el menor tiempo posible y respetar las fechas de caducidad o de consumo preferente.
- Sí** - Guardar alimentos congelados comercialmente de acuerdo con las instrucciones indicadas en los envases.
- Sí** - Seleccionar siempre alimentos frescos de calidad y asegurarse de que estén perfectamente limpios antes de congelarlos.
- Sí** - Preparar los alimentos frescos para su congelación en pequeñas porciones a fin de garantizar una congelación rápida.
- Sí** - Envolver todos los alimentos en papel de aluminio o bolsas plásticas para congelar y asegurar que no queda aire en el interior.
- Sí** - Envolver los alimentos congelados al comprarlos y ponerlos en el congelador lo antes posible.
- Sí** - Guardar los envases pequeños en la cesta incluida.
- Sí** - Retirar helados del congelador de 10 a 20 minutos antes de servir.
- No** - Dejar la tapa abierta durante largos períodos de tiempo, ya que esto hará que el funcionamiento del congelador sea más costoso y provocará una formación excesiva de hielo.
- No** - Usar objetos puntiagudos o afilados como cuchillos o tenedores para eliminar la escarcha.
- No** - Introducir alimentos calientes en el congelador. Deje que se enfríen primero.
- No** - Introducir botellas llenas de líquido o latas herméticas que contengan líquidos con gas en el congelador, pues podrían reventar.
- No** - Almacenar sustancias tóxicas o peligrosas en el congelador. Su congelador ha sido diseñado únicamente para el almacenamiento de alimentos comestibles.
- No** - Consumir helados y polos sacados directamente del congelador. La baja temperatura puede provocar quemaduras por congelación en los labios.
- No** - Congelar bebidas gaseosas.
- No** - Intentar mantener congelados alimentos que se han empezado a descongelar; deberían consumirse en el plazo de 24 horas o cocinarse y volverse a congelar.
- No** - Retirar productos del congelador con las manos húmedas.
- No** - Cerrar la puerta con fuerza. Esto provocará daños en el electrodoméstico.
- Este electrodoméstico no está pensado para ser utilizado por personas (incluidos niños) con capacidades físicas, sensoriales o mentales reducidas o con falta de experiencia y conocimiento, a no ser que sea bajo supervisión o después de recibir instrucciones precisas respecto al uso del electrodoméstico por parte de una persona responsable de su seguridad.
- En presencia de niños, mantenga el aparato bajo control para evitar que jueguen con él.
- No almacene en este electrodoméstico sustancias explosivas, como botes de aerosol con propelente inflamable.
- Este electrodoméstico está diseñado para uso doméstico y aplicaciones similares, tales como: áreas de cocina para personal en tiendas, oficinas y otros entornos de trabajo; fincas agrícolas; el uso por clientes en hoteles, moteles y otros entornos de tipo residencial; alojamientos turísticos del tipo "bed and breakfast", catering y aplicaciones similares no minoristas.
- Si el cable de alimentación está dañado, debe ser sustituido por el fabricante, por su servicio técnico o por cualquier profesional cualificado similar para evitar riesgos.

Sustitución de la bombilla

El refrigerador utiliza la lámpara LED para la iluminación, y presenta un bajo consumo de energía y una larga vida útil. En caso de anomalías, póngase en contacto con el personal de posventa para el servicio de visitas. Las lámparas solo pueden ser sustituidas por el fabricante.

Tipo de lámpara: Iluminación LED.

Nivel de eficiencia energética: F


INFORMACIÓN ELÉCTRICA

ESTE ELECTRODOMÉSTICO DEBE CONECTARSE A TIERRA.

Este aparato está equipado con un conector de tres clavijas fundido a BS 1363 que será adecuado para su uso en todas las casas equipadas con tomas de corriente según las especificaciones actuales.

Si el enchufe no es adecuado para sus tomas de corriente, se debe cortar y desechar cuidadosamente. Para evitar un posible peligro de descarga, no inserte el enchufe desechado en una toma de corriente.

Este aparato cumple las Directivas CEE:

Correcta eliminación de este producto	
	<p>Este marcado indica que este producto no debe eliminarse con otros desechos domésticos en toda la UE. Para prevenir posibles daños al medio ambiente o a la salud humana debido a la eliminación incontrolada de residuos, reciclelo responsablemente para promover la reutilización sostenible de los recursos materiales. Para devolver su dispositivo usado, utilice los sistemas de devolución y recogida o póngase en contacto con el vendedor al que le compró el producto. Pueden llevarse este producto para someterlo a un reciclaje seguro para el medio ambiente.</p>

Advertencias para su eliminación

- ✘ El refrigerante y el material de espuma utilizado para el refrigerador son inflamables. Por lo tanto, cuando el refrigerador sea desechado, deberá mantenerse alejado de cualquier fuente de fuego y ser recuperado por una empresa de recuperación especial con la calificación correspondiente distinta de la eliminación por combustión, para evitar daños al medio ambiente o cualquier otro daño.
- ✘ Cuando se deseche el refrigerador, desmonte las puertas y retire la junta de la puerta y los estantes; coloque las puertas y los estantes en un lugar adecuado para evitar que los niños queden atrapados.

Acceso a reparación profesional, como páginas web de Internet, direcciones, datos de contacto.

Lista de la estación de servicio posventa:

Dirección	
Número de contacto	
Sitio web	
Código QR	

Nota: La dirección o número de teléfono de contacto del sitio de servicio está sujeto a cambios sin previo aviso. Confirme si la estación de servicio es una afiliada directa de nuestra empresa al momento de requerir servicios.

Información pertinente para solicitar piezas de repuesto, directamente o a través de otros canales facilitados por el fabricante, importador o representante autorizado.

El período mínimo durante el cual están disponibles las piezas de repuesto necesarias para la reparación del aparato.

Instrucciones sobre cómo encontrar la información del modelo en la base de datos del producto, tal como se define en el Reglamento (UE) 2019/2019 mediante un enlace web que enlaza con la información del modelo almacenada en la base de datos del producto o a un enlace a la base de datos del producto e información sobre cómo encontrar el identificador del modelo en el producto.)

CONGÉLATEUR COFFRE
MANUEL D'INSTRUCTIONS

MODÈLE N° :

CMCH 100 D

CMCH 150 D

CMCH 200 D

SÉCURITÉ



AVERTISSEMENT !

Il est dangereux pour toute personne, autre que le personnel d'entretien autorisé, d'effectuer des travaux d'entretien ou des réparations qui impliquent le retrait des caches. Pour éviter tout risque d'électrocution, n'essayez pas de réparer cet appareil vous-même.

AVERTISSEMENT !

Risque d'incendie / matériaux inflammables.



Conseils de sécurité

Ne pas utiliser d'appareils électriques tels qu'un sèche-cheveux ou un radiateur pour dégivrer le congélateur.

Les contenants de gaz ou liquides inflammables peuvent fuir à basse température.

Ne pas entreposer les contenants de matériaux inflammables, tels que les aérosols, les cartouches d'extincteurs, etc. dans le congélateur.

Ne pas placer de boissons pétillantes ou gazeuses dans le congélateur. Les sucettes glacées peuvent provoquer des brûlures/gelures si elles sont consommées directement à la sortie du congélateur.

Ne pas sortir les articles du congélateur avec les mains mouillées/humides, car cela peut provoquer des abrasions cutanées ou des brûlures/gelures. Les bouteilles et les boîtes de conserve ne doivent pas être placées dans le compartiment du congélateur, car elles peuvent éclater lorsque le contenu gèle.

Les durées de conservation recommandées par le fabricant doivent être respectées. Se reporter aux instructions pertinentes.

Ne pas permettre aux enfants de toucher les commandes ou de jouer avec le congélateur. Le congélateur est lourd. Vous devez faire attention lorsque vous le déplacez. Il est dangereux d'altérer les spécifications ou de tenter de modifier ce produit d'une manière ou d'une autre.

Ne pas stocker de gaz ou de liquides inflammables à l'intérieur de votre congélateur.

Si le cordon d'alimentation est endommagé, faites-le remplacer par le fabricant, le service après-vente ou un électricien qualifié pour éviter tout risque d'accident.

Cet appareil peut être utilisé par les enfants de plus de 8 ans et les personnes ayant des capacités physiques, sensorielles ou mentales réduites ou un manque d'expérience et de connaissances, s'ils ont été supervisés ou si on leur a appris à utiliser l'appareil en toute sécurité et qu'ils comprennent les risques courus. Les enfants ne doivent pas jouer avec l'appareil. Le nettoyage et l'entretien ne doivent pas être effectués par des enfants sans surveillance.

Cet appareil de réfrigération n'est pas destiné à être utilisé comme un appareil encastré.

Cet appareil est conçu pour être utilisé dans une habitation et pour des applications similaires telles que

- coins-cuisine du personnel dans des magasins, bureaux et autres environnements de travail ;
- habitations rurales et par des clients dans des hôtels, motels et autres environnements de type résidentiel ;
- environnements de type chambres d'hôtes ou B&B ;
- restauration et applications similaires non dédiées à la vente au détail.

Gardez les ouvertures de ventilation, dans le bâti de l'appareil ou dans la structure intégrée, exemptes d'obstruction.

N'utilisez pas de dispositifs mécaniques ou d'autres moyens pour accélérer le processus de dégivrage, hormis ceux recommandés par le fabricant.

N'endommagez pas le circuit réfrigérant.

N'utilisez pas d'appareils électriques à l'intérieur des compartiments de conservation des aliments de l'appareil, sauf s'ils correspondent aux modèles recommandés par le fabricant.

Ne rangez pas de substances explosives comme des bombes d'aérosol contenant un gaz propulseur inflammable dans cet appareil.

Cet appareil n'est pas prévu pour être utilisé par des personnes (y compris des enfants) à capacités physiques, sensorielles ou intellectuelles réduites ou sans expérience et connaissances, à moins d'être surveillés ou d'avoir appris à utiliser l'appareil avec une personne responsable de leur sécurité. Surveillez les enfants pour éviter qu'ils ne jouent avec l'appareil.

- **AVERTISSEMENT** : Gardez les ouvertures de ventilation, dans le bâti de l'appareil ou dans la structure intégrée, exemptes d'obstruction.

- **AVERTISSEMENT** : N'utilisez pas de dispositifs mécaniques ou d'autres moyens pour accélérer le processus de dégivrage, hormis ceux recommandés par le fabricant.

- **AVERTISSEMENT** : N'endommagez pas le circuit réfrigérant.

- **AVERTISSEMENT** : N'utilisez pas d'appareils électriques à l'intérieur des compartiments de conservation des aliments de l'appareil, sauf s'ils correspondent aux modèles recommandés par le fabricant.

- **AVERTISSEMENT** : Les appareils de réfrigération, notamment de type réfrigérateur-congélateur, pourraient ne pas fonctionner de façon uniforme (possibilité de dégivrage du contenu ou température devenant trop chaude dans le compartiment des aliments congelés) lorsqu'ils sont situés pendant une période prolongée en dessous de la limite froide de la plage de températures pour laquelle l'appareil de réfrigération est conçu ;

- **AVERTISSEMENT** : La nécessité que, pour les portes ou les couvercles équipés de serrures et de clés, les clés soient maintenues hors de portée des enfants et non à proximité de l'appareil de réfrigération, afin d'éviter que les enfants ne se retrouvent bloqués à l'intérieur.

- **AVERTISSEMENT** : Le réfrigérant utilisé dans votre appareil et les matériaux d'isolation nécessitent des procédures spéciales de mise au rebut.

- **AVERTISSEMENT** : Lors du positionnement de l'appareil, vérifiez que le cordon d'alimentation n'est pas coincé ou abîmé.

- **AVERTISSEMENT** : Ne placez pas de systèmes multiprises portatifs ou d'alimentations portatives à l'arrière de l'appareil.

Les enfants âgés de 3 à 8 ans sont autorisés à remplir et à vider les appareils de réfrigération. Pour éviter la contamination des aliments, veuillez respecter les instructions suivantes :

- L'ouverture prolongée de la porte peut entraîner une augmentation significative de la température dans les compartiments de l'appareil.

- Nettoyez régulièrement les surfaces pouvant se retrouver au contact des aliments et les systèmes d'écoulement accessibles.

- Nettoyez les réservoirs d'eau s'ils n'ont pas été utilisés pendant 48 h ; rincez le système d'eau raccordé à l'arrivée d'eau si l'eau n'a pas été tirée pendant 5 jours.

- Conservez au réfrigérateur la viande et le poisson crus dans des récipients adaptés, afin qu'ils ne se retrouvent pas au contact d'autres aliments et qu'ils ne s'égouttent pas dessus.

- Les compartiments pour produits surgelés à deux étoiles sont adaptés pour conserver les aliments pré-surgelés, conserver ou préparer des crèmes glacées et fabriquer des glaçons.

- Les compartiments à une, deux et trois étoiles ne sont pas adaptés pour surgeler les aliments frais.

- Si l'appareil de réfrigération reste vide pendant de longues périodes, éteignez-le, dégivrez-le, nettoyez-le, séchez-le et laissez la porte ouverte pour prévenir la formation de moisissure à l'intérieur de l'appareil.

Classe climatique

Les informations sur la classe climatique de l'appareil sont fournies sur la plaque signalétique. Elle indique à quelle température ambiante (c'est-à-dire la température de la pièce dans laquelle l'appareil est placé) le fonctionnement de l'appareil est optimal (correct).

Classe climatique	Température ambiante admissible
SN	de +10 °C à +32 °C
N	de +16 °C à +32 °C
ST	de +16 °C à +38 °C
T	de +16 °C à +43 °C

Remarque : étant donné les valeurs limites de la plage de température ambiante des classes climatiques pour lesquelles l'appareil de réfrigération est conçu et le fait que les températures internes peuvent être impactées par des facteurs tels que l'emplacement de l'appareil de réfrigération, la température ambiante et la fréquence d'ouverture de la porte, il est possible que le réglage de tout dispositif de contrôle de la température doive être modifié conformément à ces facteurs, le cas échéant. Si le cordon d'alimentation est endommagé, faites-le remplacer par le fabricant, le service après-vente ou un électricien qualifié pour éviter tout risque d'accident.



Remarque : lorsqu'il fonctionne dans un environnement autre que le type de climat spécifié (c.-à-d. au-delà de la plage de température ambiante nominale), l'appareil peut ne pas être en mesure de maintenir les températures des compartiments souhaitables.

Verrous

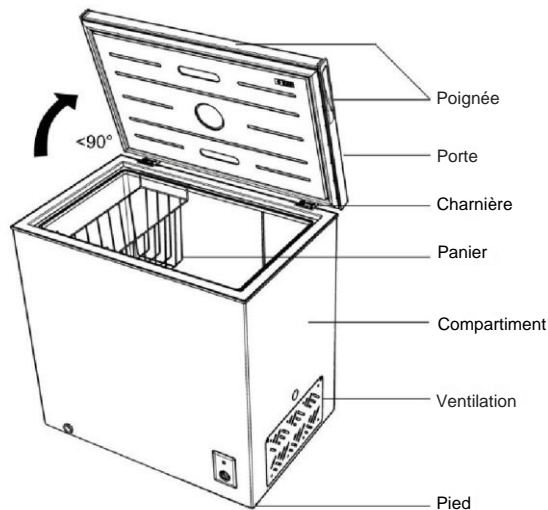
Si votre réfrigérateur est équipé d'un verrou, rangez la clé hors de portée et loin de l'appareil pour empêcher les enfants de se faire piéger.

Si vous éliminez un vieux réfrigérateur, cassez tous les vieux verrous ou loquets par mesure de sécurité.

Sans fréon

Un réfrigérant sans fréon (R600a) et un matériau d'isolation moussant (cyclopentane) respectueux de l'environnement sont utilisés pour le réfrigérateur. Ils ne causent aucun dommage à la couche d'ozone et ont un très faible impact sur le réchauffement climatique. Le R600a est inflammable et scellé dans un système de réfrigération, sans fuite lors d'une utilisation normale. Toutefois, en cas de fuite de réfrigérant due à l'endommagement du circuit de réfrigérant, assurez-vous de maintenir l'appareil à l'écart des flammes nues et d'ouvrir les fenêtres pour ventiler le plus rapidement possible.

NOMS DES PIÈCES



Avec les innovations technologiques, les descriptions du produit contenues dans ce manuel ne correspondent peut-être pas totalement à votre congélateur. Les détails sont conformes au produit réel.

⚠ AVERTISSEMENT ⚠ : Ne jamais toucher l'intérieur de la chambre du congélateur ou des aliments congelés dans le compartiment avec les mains mouillées, car cela pourrait entraîner une gelure.

INSTRUCTIONS DE TRANSPORT

L'appareil doit être transporté uniquement en position debout à la verticale. L'emballage de livraison doit rester intact pendant le transport.

Si, au cours du transport, le produit a été transporté à l'horizontale, il doit être posé sur le côté gauche (en faisant face à la porte) uniquement et il ne doit pas être utilisé pendant au moins 4 heures pour permettre au système de se stabiliser après avoir ramené l'appareil en position droite.

1. Le non-respect des instructions ci-dessus pourrait entraîner des dommages à l'appareil. Le fabricant ne sera pas tenu responsable si ces instructions ne sont pas respectées.
2. L'appareil doit être protégé contre la pluie, l'humidité et d'autres influences atmosphériques.

IMPORTANT : Il convient de prêter une attention particulière lors du nettoyage/transport de l'appareil pour éviter de toucher les fils métalliques du condenseur à l'arrière de l'appareil, en raison du risque de blessures aux doigts et aux mains et du risque de détérioration de l'appareil.

IMPORTANT : Cet appareil n'est pas conçu pour être empilé avec un autre appareil. Ne pas essayer de s'asseoir ou de se tenir debout sur le dessus de votre appareil étant donné qu'il n'est pas conçu à cet effet. Vous pourriez vous blesser ou endommager l'appareil.

IMPORTANT : Assurez-vous que le câble secteur ne se retrouve pas coincé sous l'appareil pendant et après le transport/déplacement de l'appareil, pour éviter de couper ou d'endommager le câble secteur.

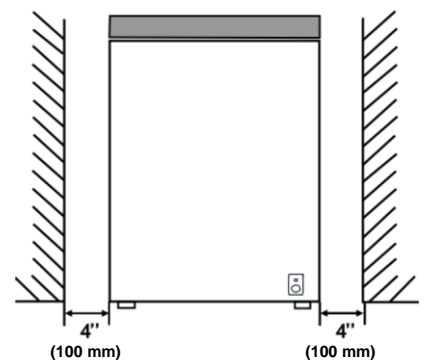
Lors du positionnement de votre appareil, veillez à ne pas endommager vos planchers, tuyaux, revêtements muraux, etc. Ne déplacez pas l'appareil en tirant sur le couvercle ou la poignée. Ne laissez pas les enfants jouer avec l'appareil ou falsifier les commandes. Notre entreprise décline toute responsabilité en cas de non-respect des instructions.

INSTRUCTIONS D'INSTALLATION

1. Si possible, évitez d'installer l'appareil à proximité de cuisinières, de radiateurs ou de la lumière directe du soleil car cela entraînera un fonctionnement prolongé du compresseur. En cas d'installation à côté d'une source de chaleur ou d'un réfrigérateur, maintenir les distances latérales minimales suivantes :

Par rapport aux cuisinières	4" (100 mm)
Par rapport aux radiateurs	12" (300 mm)
Par rapport aux réfrigérateurs	4" (100 mm)

2. Assurez-vous qu'il y a suffisamment d'espace autour de l'appareil pour garantir une libre circulation de l'air. Idéalement, il convient de laisser un espace d'au moins 10 cm autour du congélateur, et de garantir des espaces tels qu'indiqué dans le schéma ci-dessous.
3. L'appareil doit être posé sur une surface lisse.
4. Il est interdit d'utiliser le réfrigérateur à l'extérieur.
5. Protection contre l'humidité. Ne pas installer le congélateur dans un espace humide pour éviter une corrosion des pièces métalliques. Et ne pas vaporiser d'eau sur le congélateur, sinon cela va affaiblir l'isolation et entraîner des fuites de courant.



6. Cf. Chapitre « Nettoyage et entretien » pour préparer votre appareil à l'utilisation.
7. Si le congélateur est installé dans des espaces non chauffés, des garages etc., par temps froid, de la condensation peut se former sur les surfaces extérieures. Cela est tout à fait normal et ne constitue pas un défaut. Retirez la condensation en l'essuyant avec un chiffon sec.

DÉMARRAGE

Contrôle final

Avant de commencer à utiliser le congélateur, veuillez vérifier que :

1. L'intérieur est sec et l'air peut circuler librement à l'arrière.
2. Nettoyez l'intérieur conformément aux recommandations de la rubrique « NETTOYAGE ET ENTRETIEN ».
3. Insérer la fiche dans la prise murale et activez l'alimentation électrique, ensuite le voyant Rouge s'allume. Éviter toute déconnexion accidentelle en appuyant sur le commutateur. Le voyant vert s'allume et le compresseur se met en marche.
4. Vous entendrez un bruit lorsque le compresseur démarre. Le liquide et les gaz scellés dans le système de réfrigération peuvent également être source de bruit, que le compresseur fonctionne ou non, ce qui est tout à fait normal.
5. Si vous souhaitez déposer des aliments déjà surgelés, ouvrez le couvercle du congélateur et vérifiez que le congélateur a atteint la bonne température. Alors vous pouvez y déposer vos aliments déjà surgelés.
6. Ne pas charger l'appareil immédiatement après sa mise sous tension. Attendre que la bonne température de stockage ait été atteinte. Nous vous recommandons de vérifier la température à l'aide d'un thermomètre précis.

Remarques importantes :

- En cas de panne de courant, n'ouvrez pas le couvercle. Si la panne dure moins de 20 heures, les aliments surgelés ne devraient pas être affectés. Si la panne dure plus longtemps, alors il convient de vérifier les aliments et de les manger immédiatement ou bien de les cuire et de les congeler à nouveau.
- Si vous trouvez que le couvercle du congélateur coffre est difficile à ouvrir juste après l'avoir fermé, ne soyez pas inquiet. Cela vient de la différence de pression qui doit s'égaliser et permettre au couvercle de s'ouvrir normalement après quelques minutes.

FONCTIONNEMENT DU CONGÉLATEUR

L'écran d'affichage est illustré dans les figures ci-dessous :



Fonctions :

Lorsque le système est mis sous tension pour la première fois, tous les voyants LED et l'affichage numérique s'allument avant de repasser à l'écran normal au bout de 2 sec. Lorsque l'affichage numérique est allumé, il s'éteint automatiquement si aucune commande n'est réalisée dans les 3 minutes, et toutes les touches sont verrouillées. Lorsque l'affichage est éteint, vous pouvez l'allumer en appuyant sur une touche une fois. Ensuite, maintenez la touche « - » enfoncée pendant 3 secondes pour déverrouiller les touches.

★ Réfrigérateur/congélateur

1) Plages de température réglables : 8 °C ~ 2 °C en mode réfrigérateur et -12 °C ~ -24 °C en mode congélateur. Ces plages peuvent être réglées de manière circulaire pour réaliser la fonction réfrigérateur/congélateur.

2) Une fois les touches déverrouillées, l'affichage de la température commence à clignoter après un premier appui sur la touche « + »/« - », et les valeurs de température peuvent être modifiées à ce moment.

Lors du réglage de la température : si la température est réglée sur 2 °C, elle est réglée sur -12 °C après un appui sur la touche « - » ; si la température est réglée sur - 24 °C, elle est réglée sur 8 °C après un appui sur la touche « - » ; si la température est réglée sur -12 °C, elle est réglée sur 2 °C après un appui sur la touche « + » ; si la température est réglée sur 8 °C, elle est réglée sur -24 °C après un appui sur la touche « + ».

★ Réglage de la température du réfrigérateur


Vous pouvez régler la valeur de température en appuyant sur la touche « + »/« - ». Lorsque la touche « + »/« - » est enfoncée pour la première fois, la valeur de température peut être modifiée ; et lorsque la touche « + »/« - » est à nouveau enfoncée, la température définie augmente/baisse de 1 °C en conséquence. Lorsque la plage de température est réglée sur 8 °C ~ 2 °C, le mode réfrigérateur est activé.

★ Réglage de la température du congélateur

Vous pouvez régler la valeur de température en appuyant sur la touche « + »/« - ». Lorsque la touche « + »/« - » est enfoncée pour la première fois, la valeur de température peut être modifiée ; et lorsque la touche « + »/« - » est à nouveau enfoncée, la température définie augmente/baisse de 1 °C en conséquence. Lorsque la plage de température est réglée sur 12 °C ~ 24 °C, le mode congélateur est activé.

★ Congélation rapide

Lorsque la fonction « Congélation rapide » est activée, la température du congélateur est automatiquement réglée sur - 32 °C. Au bout de 26 heures de fonctionnement, la fonction Congélation rapide est désactivée. Le refroidissement rapide de la température du congélateur est bénéfique pour éviter de perdre les caractéristiques nutritives et conserver la fraîcheur.

1)  Lorsque la fonction « Congélation rapide » est activée, la température affiche « - 32 °C » et ne peut pas être modifiée.

2) Pour activer ou désactiver la fonction Congélation rapide

Lorsque les touches sont déverrouillées, vous pouvez maintenir la touche « + » enfoncée pendant 3 sec pour activer ou désactiver la fonction « Congélation rapide ».

Remarque : Si la température du congélateur est inférieure à zéro (c'est-à-dire en mode congélateur) avant l'activation de la fonction Congélation rapide, elle revient à la température définie après la désactivation de la fonction « Congélation rapide » ; et si la température du congélateur est définie au-dessus de zéro (c'est-à-dire en mode réfrigérateur) avant l'activation de la fonction Congélation rapide, elle revient à -18 °C par défaut après la désactivation de la fonction « Congélation rapide ».

★ Sécurité enfant

1) Lorsque la fonction « Sécurité enfant » est activée, la température et la fonction ne peuvent pas être réglées afin d'éviter toute mauvaise utilisation.

2) Pour accéder à la fonction « Sécurité enfant » :

Si aucune opération n'est effectuée dans les 3 minutes, la fonction « Sécurité enfant » du congélateur est activée automatiquement.

3) Pour quitter la fonction « Sécurité enfant » :

Vous pouvez maintenir la touche « - » enfoncée pendant 3 sec pour quitter la fonction « Sécurité enfant ».

★ Mémoire de coupure de courant

En cas de panne de courant, le congélateur maintient l'état de fonctionnement avant la panne de courant lorsque l'alimentation est rétablie.

★ Protection de mise sous tension différée

Afin d'éviter que le compresseur du réfrigérateur ne soit endommagé en cas de coupure de courant de courte durée (p. ex. moins de 5 minutes), le compresseur ne sera pas mis en marche immédiatement après l'allumage.

★ Alarme d'anomalie

Si E0 s'affiche sur le panneau de commande, le congélateur présente un dysfonctionnement. Veuillez contacter le responsable du service après-vente pour bénéficier de l'intervention d'un technicien dans un tel cas.



En raison de facteurs individuels du réfrigérateur, la température réelle dans le compartiment peut différer légèrement par rapport à la température réglée. C'est un phénomène normal qui n'affecte pas l'utilisation normale du produit.

CONSERVATION DES ALIMENTS SURGELÉS

Les aliments préemballés surgelés du commerce doivent être conservés conformément aux instructions du fabricant d'aliments surgelés pour un compartiment du congélateur.

Pour garantir le maintien du haut niveau de qualité des aliments congelés du fabricant et du distributeur d'aliments, il convient de se rappeler ce qui suit :

1. Placer les sachets dans le congélateur le plus rapidement possible après l'achat.

2. Ne pas dépasser les dates « A consommer jusqu'au », « A consommer de préférence avant » notées sur l'emballage.

CONGÉLATION D'ALIMENTS FRAIS

Placer les aliments frais à congeler près des parois latérales pour assurer une congélation rapide et loin des aliments déjà surgelés, si possible.

Ne jamais dépasser cette capacité maximale. Ne pas congeler une trop grande quantité en une seule fois.

La qualité des aliments est mieux préservée s'ils sont congelés à cœur le plus rapidement possible.

Faire particulièrement attention à ne pas mélanger les aliments déjà congelés et les aliments frais.

DÉGIVRAGE

Effectuez un dégivrage deux fois par an ou lorsqu'une couche de givre d'environ 7 mm (1/4") s'est formée.

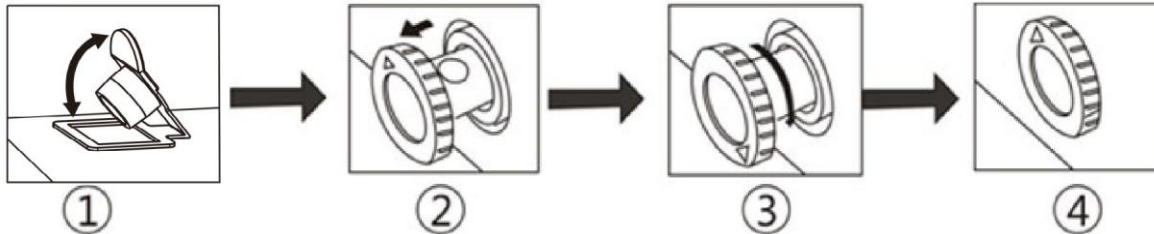
Vous pouvez également éteindre le congélateur au niveau de la prise murale et retirer la fiche secteur.

Retirez la conduite d'eau et placez-la dans un récipient d'eau.

Six heures avant de procéder au dégivrage, réglez le bouton du thermostat sur la position « -24 » pour que les aliments soient à la température la plus basse possible lorsque vous les sortirez. Tous les aliments doivent être enveloppés dans plusieurs couches de papier journal et stockés dans un endroit frais (par ex. réfrigérateur ou garde-manger).

Retirer le panier du congélateur. Laisser le couvercle ouvert. Des récipients d'eau chaude peuvent être placés soigneusement dans le congélateur pour accélérer le dégivrage.

Ne jamais utiliser de sèche-cheveux, de chauffages électriques ou d'autres appareils électriques similaires pour le dégivrage. Une fois le dégivrage terminé, évacuez l'eau de dégivrage accumulée au fond du congélateur comme indiqué dans le schéma ci-dessous et laissez l'intérieur sécher entièrement. Mettez en route la fonction Congélation rapide et laissez-la agir pendant environ trois heures.



1. Une sortie de vidange est conçue au fond du revêtement du congélateur. Lors du dégivrage, retirer son couvercle en caoutchouc pour que l'eau de dégivrage s'évacue par le tuyau de vidange.

2. Extraire la conduite d'eau de 20-25 mm jusqu'à ce que l'orifice d'eau soit visible.

3. Tourner la conduite d'eau jusqu'à ce que la flèche pointe vers le bas.

4. Une fois le dégivrage terminé, s'assurer qu'il n'y a plus d'eau s'écoulant de la conduite d'eau avant de remettre en place la conduite d'eau et de faire tourner la flèche pour qu'elle pointe vers le haut.

Remarques importantes :

- Ne pas utiliser d'objets pointus ou tranchants comme des couteaux ou des fourchettes pour retirer la couche de glace.
- Ne jamais utiliser de sèche-cheveux, de chauffages électriques ou d'autres appareils électriques similaires pour le dégivrage.
- Il est normal que des gouttes d'eau ou du givre apparaissent sur le collier du congélateur et les joints d'étanchéité de la porte par temps humide, ce qui n'affecte pas l'utilisation normale. Dans ce cas, les nettoyer avec un chiffon sec.

NETTOYAGE ET ENTRETIEN

** Nous vous recommandons d'éteindre le congélateur au niveau de la prise murale et de retirer la fiche secteur avant de procéder au nettoyage.

** Ne jamais utiliser d'instrument abrasif tranchant, de savon, de nettoyant ménager, de détergent et de cire de polissage pour le nettoyage.

** Utiliser de l'eau tiède pour nettoyer l'extérieur du congélateur et l'essuyer.

** Utiliser un chiffon humide imbibé dans une solution composée d'une cuillère à café de bicarbonate de soude additionnée d'un demi-litre d'eau pour nettoyer l'intérieur et l'essuyer.

** Il convient de retirer le dépôt de glace en excès de manière régulière à l'aide d'un grattoir en plastique disponible auprès de votre magasin local.

Une forte accumulation de glace va altérer les performances du congélateur.

** Si le congélateur n'est pas utilisé pendant une période prolongée, l'arrêter, retirer tous les aliments, le nettoyer et laisser le couvercle ouvert.

** Vérifier les joints de couvercle régulièrement pour s'assurer qu'ils sont propres et exempts de particules d'aliments.

Remarques importantes :

Ne jamais utiliser de l'eau pour laver le compresseur, l'essuyer avec un chiffon sec après le nettoyage pour éviter la rouille.

À FAIRE ET À NE PAS FAIRE

Faire entièrement décongeler les aliments du congélateur dans un réfrigérateur ou au four micro-ondes en suivant les instructions de décongélation et de cuisson.

S'assurer que le couvercle du congélateur coffre est parfaitement fermé après chaque utilisation.

Faire décongeler entièrement la viande surgelée avant la cuisson.

Fermer doucement le couvercle.

Vérifier le contenu du congélateur à intervalles réguliers.

Nettoyer et dégivrer régulièrement le congélateur (voir « Dégivrage »)

Conserver les aliments pendant un temps aussi bref que possible et respecter les dates « A consommer de préférence avant », « Date de péremption ».

Conserver des aliments surgelés du commerce conformément aux instructions données sur les paquets que vous achetez.

Toujours choisir des aliments frais de grande qualité et s'assurer qu'ils sont parfaitement propres avant de les congeler.

Préparer des aliments frais pour une congélation en petites quantités pour assurer une congélation rapide.

Envelopper tous les aliments dans du papier aluminium ou des sacs en plastique pour congélateur et s'assurer que l'air a été chassé.

Emballer les aliments congelés lors de l'achat et les placer dans le congélateur dès que possible.

Conserver les petits éléments dans le panier fourni.

Retirer la crème glacée du congélateur 10-20 minutes avant de la servir.

Ne pas laisser le couvercle ouvert pendant de longues périodes car cela augmente la consommation d'énergie et entraîne une formation excessive de glace.

Ne pas utiliser des objets pointus ou tranchants comme des couteaux ou des fourchettes pour retirer la couche de glace.

Ne pas placer des aliments chauds dans le congélateur. Les laisser refroidir au préalable.

Ne pas placer des bouteilles remplies de liquide ou des boîtes de conserve contenant des liquides gazeux dans le congélateur car elles peuvent éclater.

Ne pas conserver des substances dangereuses ou toxiques dans le congélateur. Votre congélateur a été conçu pour le stockage d'aliments comestibles uniquement.

Ne pas consommer des crèmes glacées ou des glaces à l'eau directement depuis le congélateur. La température basse peut provoquer des gelures sur les lèvres.

Ne pas congeler des boissons gazeuses.

Ne pas conserver les aliments congelés qui ont été décongelés, ils doivent être consommés dans les 24 heures ou cuits et congelés à nouveau.

Ne pas retirer les articles du congélateur avec les mains humides.

Ne pas forcer pour fermer le couvercle. Vous allez endommager l'appareil.

• Cet appareil n'est pas prévu pour être utilisé par des personnes (y compris des enfants) à capacités physiques, sensorielles ou intellectuelles réduites ou sans expérience et connaissances, à moins d'être surveillés ou d'avoir appris à utiliser l'appareil par une personne responsable de leur sécurité.

• Surveillez les enfants pour éviter qu'ils ne jouent avec l'appareil.

• Ne rangez pas des substances explosives comme des bombes d'aérosol contenant un gaz propulseur inflammable dans cet appareil.

• Cet appareil est conçu pour être utilisé dans une habitation et pour des applications similaires telles que les espaces de cuisine dans les magasins, bureaux et autres environnements de travail, les habitations rurales, par les clients dans les hôtels, motels et autres environnements de type résidentiel, dans les environnements de type chambres d'hôtes ou B&B, et dans d'autres applications hors vente au détail.

• Si le cordon d'alimentation est endommagé, faites-le remplacer par le fabricant, le service après-vente ou un électricien qualifié pour éviter tout risque d'accident.

Changement de la lampe

La lampe LED est utilisée par le réfrigérateur pour l'éclairage et présente une faible consommation d'énergie et une longue durée de vie. En cas d'anomalie, veuillez contacter le personnel du service après-vente pour obtenir l'intervention d'un technicien.

Les lampes ne peuvent être remplacées que par le fabricant.

Type de lampe : éclairage LED.

Niveau d'efficacité énergétique : F

INFORMATIONS ÉLECTRIQUES

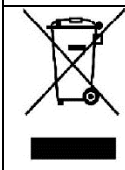
CET APPAREIL DOIT ÊTRE MIS À LA TERRE.

Cet appareil est équipé d'une fiche à trois broches à fusible conforme BS 1363 qui est adaptée à une utilisation dans toutes les maisons équipées de prises correspondant aux spécifications actuelles.

Si la fiche n'est pas adaptée à vos prises de courant, elle doit être coupée et mise au rebut soigneusement. Pour éviter tout risque d'électrocution, ne pas insérer la fiche mise au rebut dans une prise.

Cet appareil est conforme aux directives CEE :

Mise au rebut correcte de ce produit



Ce marquage indique que ce produit ne doit pas être mis au rebut avec d'autres déchets ménagers partout dans l'UE. Pour éviter tout préjudice éventuel à l'environnement ou à la santé humaine suite à la mise au rebut incontrôlée des déchets, recyclez-le de manière responsable afin de promouvoir la réutilisation durable des ressources matérielles. Pour retourner votre appareil usagé, utilisez les systèmes de retour et de collecte ou contactez le revendeur auprès duquel le produit a été acheté. Ils peuvent collecter ce produit pour un recyclage sans danger pour l'environnement.

Avertissements pour la mise au rebut

✘ Le réfrigérant et le matériau moussant au cyclopentane utilisés dans le réfrigérateur sont inflammables. Par conséquent, lorsque le réfrigérateur est mis au rebut, il doit être tenu à l'écart de toute source de flammes et récupéré par une société spécialisée disposant des qualifications nécessaires afin qu'il ne soit pas brûlé, de manière à protéger l'environnement ou à éviter tout autre dommage.

✘ Lorsque le réfrigérateur est mis au rebut, désassembler les portes et retirer le joint de la porte et des clayettes; placer les portes et les clayettes dans un endroit approprié afin d'éviter qu'un enfant ne se blesse.

accès à des réparations professionnelles, telles que pages internet, adresses, coordonnées ;

Liste des centres de service après-vente :

Adresse	
Numéro de téléphone	
Site Web	
Code QR	

Remarque : L'adresse ou le numéro de téléphone du centre de service peuvent être modifiés sans préavis. Veuillez vérifier si le centre de service est directement affilié à l'une de nos entreprises lorsque vous faites une demande.

informations pertinentes pour la commande de pièces détachées, en direct ou via d'autres canaux proposés par le fabricant, l'importateur ou le représentant autorisé ;

période minimale pendant laquelle les pièces détachées nécessaires à la réparation de l'appareil sont disponibles ;

instructions pour trouver les informations sur le modèle dans la base de données de produits, tel que défini dans le Règlement (UE) 2019/2019, via un lien Web qui mène aux informations sur le modèle telles que stockées dans la base de données de produits ou un lien vers la base de données de produits et des informations pour trouver la référence du modèle sur le produit.

ZAMRZIVAČ ŠKRINJA
PRIRUČNIK S UPUTAMA

BR. MODELA:

CMCH 100 D

CMCH 150 D

CMCH 200 D

SIGURNOST



UPOZORENJE!

Opasno je da bilo tko osim ovlaštenog servisnog osoblja obavlja servisiranje ili popravke koji uključuju uklanjanje poklopca. Kako biste izbjegli rizik od strujnog udara, ne pokušavajte sami popraviti ovaj uređaj.

UPOZORENJE!

Rizik od požara / zapaljivi materijali.



Sigurnosni savjeti

Nemojte upotrebljavati električne uređaje, kao što su sušilo za kosu ili grijač za odmrzavanje zamrzivača.

Spremnici sa zapaljivim plinovima ili tekućinama mogu curiti na niskim temperaturama.

U Zamrzivaču nemojte čuvati spremnike sa zapaljivim materijalima, kao što su limenke za prskanje, spremnici za punjenje vatrogasnog aparata i sl.

Ne stavljajte gazirana pića u odjeljak zamrzivača. Ledene lizalice mogu uzrokovati "opekline od leda/hladnoće". Ako se konzumiraju izravno iz zamrzivača.

Nemojte uklanjati predmete iz odjeljka zamrzivača ako su vam ruke vlažne/mokre jer to može uzrokovati ogrebotine kože ili "opekline od leda/hladnoće". Boce i limenke ne smiju se stavljati u odjeljak zamrzivača jer mogu puknuti kada se sadržaj zamrzne.

Potrebno je pridržavati se preporučenih vremena čuvanja proizvođača. Pogledajte odgovarajuće upute.

Ne dopustite djeci da diraju upravljačke tipke ili se igraju zamrzivačem. Zamrzivač je težak. Prilikom pomicanja treba biti oprezan. Opasno je mijenjati specifikaciju ili pokušati izmijeniti ovaj proizvod na bilo koji način.

U Zamrzivaču nemojte čuvati zapaljive plinove ili tekućine.

Ako je kabel za napajanje oštećen, treba ga zamijeniti proizvođač, njegov serviser ili osobe sličnih kvalifikacija da bi se izbjegla opasnost.

Ovaj uređaj mogu upotrebljavati djeca starija od 8 godina i osobe sa smanjenim fizičkim, osjetilnim ili mentalnim sposobnostima ili nedostatkom iskustva i znanja ako su pod nadzorom ili su dobili upute u vezi sa sigurnom upotrebom uređaja te ako shvaćaju povezane opasnosti. Djeca se ne smiju igrati uređajem. Djeca ne smiju čistiti niti održavati uređaj bez nadzora.

Ovaj rashladni uređaj nije namijenjen za upotrebu kao ugradbeni uređaj.

Ovaj uređaj namijenjen je za upotrebu u kućanstvu i za slične namjene kao što su:

- prostor za blagovanje unutar trgovina, ureda ili drugih radnih prostora;
- seoske kuće ili za klijente u hotelima, motelima i drugim okruženjima stambenog tipa;
- okruženja poput ugostiteljskih objekata koji nude noćenje i doručak;
- za opskrbu hranom i pićem i za slične ne-prodajne namjene.

Pazite da ventilacijski otvori nisu blokirani u kućištu uređaja ili u ugradbenim strukturama.

Ne upotrebljavajte mehaničke uređaje ili bilo kakve druge alate kako biste ubrzali postupak odleđivanja, osim onih koje je preporučio proizvođač.

Ne oštećujte zatvoreni sustav rashladnog sredstva.

Ne upotrebljavajte električne uređaje u odjeljcima za čuvanje hrane unutar uređaja, osim ako je navedenu upotrebu preporučio proizvođač.

Ne čuvajte eksplozivne tvari poput stlačenih spremnika sa zapaljivim punjenjem u ovom uređaju.

Ovaj uređaj nije namijenjen za upotrebu osobama (uključujući djecu) s ograničenim fizičkim, osjetnim ili mentalnim sposobnostima ili kojima nedostaju iskustvo i znanje, osim ako ih osoba odgovorna za njihovu sigurnost ne nadzire ili im ne da upute u vezi s upotrebom uređaja. Potreban je nadzor nad djecom kako bi se osiguralo da se ne igraju uređajem.

- **UPOZORENJE:** Pazite da ventilacijski otvori nisu blokirani u kućištu uređaja ili u ugradbenim strukturama.
- **UPOZORENJE:** Ne upotrebljavajte mehaničke uređaje ili bilo kakve druge alate kako biste ubrzali postupak odleđivanja, osim onih koje je preporučio proizvođač.
- **UPOZORENJE:** Ne oštećujte zatvoreni sustav rashladnog sredstva.
- **UPOZORENJE:** Ne upotrebljavajte električne uređaje u odjeljcima za čuvanje hrane unutar uređaja, osim ako je navedenu uporabu preporučio proizvođač.
- **UPOZORENJE:** Uređaji za hlađenje - posebno zamrzivač tipa I - možda neće raditi dosljedno (mogućnost odmrzavanja sadržaja ili previsoke temperature u odjeljku zamrznute hrane) ako su smješteni dulje vrijeme ispod hladnog kraja raspona temperatura za koje je uređaj za hlađenje namijenjen;
- **UPOZORENJE:** Potrebno je da, za vrata ili poklopce opremljene bravama i ključevima, ključeve držite izvan dohvata djece, a ne u blizini uređaja za hlađenje, kako biste spriječili zaključavanje djece.
- **UPOZORENJE:** Rashladno sredstvo koje se upotrebljava u vašem uređaju i izolacijski materijali zahtijevaju posebne postupke odlaganja.
- **UPOZORENJE:** Pri postavljanju uređaja pobrinite se da se kabel za napajanje ne zaglavi ili ošteti.
- **UPOZORENJE:** Ne postavljajte više prijenosnih utičnica ili prijenosnih izvora napajanja na stražnju stranu uređaja.

Djeca u dobi od 3 do 8 godina smiju puniti ovaj uređaj i vaditi namirnice iz njega. Kako biste izbjegli kontaminaciju hrane, pridržavajte se sljedećih uputa:

- Ako se vrata dugo ostave otvorenima, to može uzrokovati znatno povećanje temperature u odjeljcima uređaja.
- Redovito čistite površine koje mogu doći u dodir s namirnicama i dostupne sustave odvodnje.
- Spremnike za vodu očistite ako se nisu upotrebljavali 48 sati; isperite sustav za vodu spojen na dovod vode ako se voda nije crpila 5 dana.
- Sirovo meso i ribu čuvajte u odgovarajućim posudama u hladnjaku tako da ne dolaze u dodir s drugim namirnicama i ne kapaju na njih.
- Odjeljci zamrznute hrane s dvije zvjezdice prikladni su za čuvanje prethodno zamrznute hrane, čuvanje ili pripremu sladoleda i izradu kockica leda.
- Odjeljci s jednom, dvije i tri zvjezdice nisu prikladni za zamrzavanje svježe hrane.
- Ako uređaj dulje vrijeme ostaje prazan, isključite ga, odmrznite, očistite, osušite i ostavite vrata otvorena kako biste spriječili stvaranje plijesni u uređaju.

Klimatski raspon

Informacije o klimatskom rasponu uređaja nalaze se na natpisnoj pločici. Označavaju pri kojoj je temperaturi okoline (tj. sobnoj temperaturi, u kojoj uređaj radi) rad uređaja optimalan (pravilan).

Klimatski raspon	Dopuštena temperatura okoline
SN	od +10 °C do +32 °C
N	od +16 °C do +32 °C
ST	od +16 °C do +38 °C
T	od +16 °C do +43 °C

Napomena: S obzirom na granične vrijednosti raspona temperature okoline za klimatske klase za koje je uređaj za hlađenje dizajniran i činjenicu da na unutarnje temperature mogu utjecati čimbenici, kao što su lokacija uređaja za hlađenje, temperatura okoline i učestalost otvaranja vrata, postavka bilo kojeg uređaja za regulaciju temperature mogla bi se mijenjati kako bi se osigurali ti čimbenici, ako je to potrebno.

Ako je kabel za napajanje oštećen, treba ga zamijeniti proizvođač, njegov serviser ili osobe sličnih kvalifikacija da bi se izbjegla opasnost.



Napomena: Kad uređaj radi u okruženju koje je izvan određenog tipa klime (tj. izvan nazivnog raspona temperature okoline), možda neće moći održavati željene temperature odjeljka.

Brave

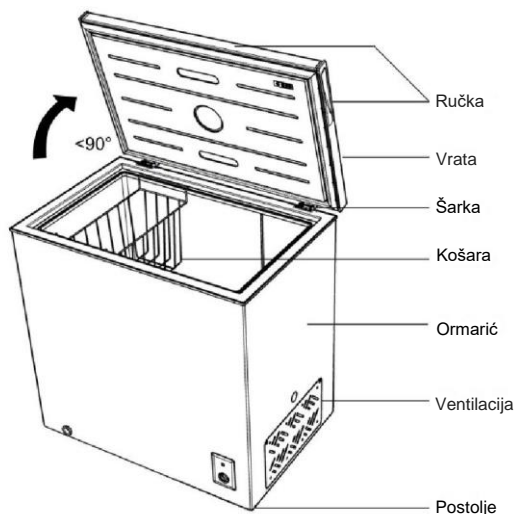
Ako je vaš hladnjak opremljen bravom, držite ključ izvan dohvata i podalje od uređaja kako biste spriječili djecu da se zaglave.

Ako odlažete stari hladnjak, kao mjeru sigurnosti odvalite bilo koje stare brave ili zasune.

Bez freona

Za hladnjak se upotrebljava rashladno sredstvo bez freona (R600a) i pjenasti izolacijski materijal (ciklopentan) koji je ekološki prihvatljiv, što ne oštećuje ozonski omotač i ima vrlo mali utjecaj na globalno zagrijavanje. R600a je zapaljiv i zapečaćen u rashladnom sustavu i ne curi tijekom uobičajene upotrebe. No, u slučaju curenja rashladnog sredstva zbog oštećenja zatvorenog sustava rashladnog sredstva, držite uređaj podalje od otvorenog plamena i što brže otvorite prozore radi prozračivanja.

NAZIVI DIJELOVA



Zbog tehnoloških inovacija opisi proizvoda u ovom priručniku možda neće u potpunosti odgovarati vašem zamrzivaču. Detalji su u skladu sa stvarnim proizvodom.

UPOZORENJE: Nikada ne dodirujte unutrašnjost zamrzivača ili zamrznute namirnice u odjeljku mokrim rukama jer to može rezultirati opeklinama od leda.

UPUTE ZA PRIJEVOZ

Uređaj se treba prenositi samo uspravno u okomitom položaju. Tijekom prenošenja ambalaža se ne smije ukloniti. Ako se uređaj prevozi u vodoravnom položaju, potrebno ga je postaviti na lijevu bočnu stranu (gledano s prednje strane) i ne smije se uključiti najmanje 4 sata nakon postavljanja uređaja u uspravan položaj kako bi se sustav oporavio.

1. Nepridržavanje prethodnih uputa može uzrokovati oštećenja uređaja. Proizvođač ne snosi nikakvu odgovornost ako se ove upute ne slijede.
2. Uređaj se mora zaštititi od kiše, vlage i drugih atmosferskih utjecaja.

VAŽNO: Posebno pazite prilikom čišćenja/nošenja uređaja da ne dodirujete metalne žice kondenzatora na stražnjem dijelu uređaja jer možete ozlijediti svoje prste i ruke ili oštetiti uređaj.

VAŽNO: Ovaj uređaj nije namijenjen za postavljanje na/ispod drugi(og) uređaj(a). Ne pokušavajte stati ili sjesti na uređaj jer nije namijenjen takvoj uporabi. Možete se ozlijediti ili oštetiti uređaj.

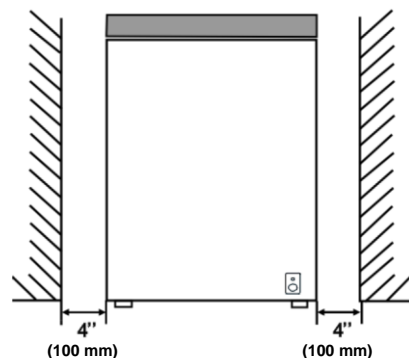
VAŽNO: Pripazite da se glavni kabeli nisu zaglavili ispod uređaja tijekom i nakon prijevoza/nošenja uređaja kako biste izbjegli da se navedeni kabeli prerežu ili oštete.

Prilikom postavljanja uređaja pazite da ne oštetite pod, cijevi, zidne obloge itd. Nemojte pomicati uređaj povlačenjem poklopca ili ručke. Ne dopustite djeci da se igraju s uređajem ili upravljačkim tipkama. Naša tvrtka ne snosi nikakvu odgovornost za upotrebu uređaja koja nije u skladu s uputama.

UPUTE ZA POSTAVLJANJE

1. Izbjegavajte postavljanje uređaja u blizini štednjaka, radijatora ili na mjestima gdje je izložen Sunčevoj svjetlosti jer će kompresor raditi dulje vrijeme. Ako postavite uređaj u blizini izvora topline ili hladnjaka, pridržavajte se sljedećih najmanjih razmaka:

Od štednjaka	4" (100 mm)
Od radijatora	12" (300 mm)
Od hladnjaka	4" (100 mm)
2. Pripazite da oko uređaja ima dovoljno prostora kako bi se omogućilo slobodno kruženje zraka. Najbolje bi bilo ostaviti najmanje 10 cm prostora oko zamrzivača i pridržavati se odmaka koji su prikazani na grafičkom prikazu u nastavku.
3. Uređaj se mora postaviti na ravnu površinu.
4. Zabranjeno je upotrebljavati hladnjak na otvorenom.
5. Zaštitite ga od vlage. Ne postavljajte hladnjak u vlažne prostorije kako biste spriječili nastanak hrđe na metalu. Ne špricajte vodu u zamrzivač jer ćete oslabiti izolacijski sloj i uzrokovati pojavu curenja.



6. Pogledajte poglavlje „Čišćenje i održavanje“ kako bi ste pripremili svoj uređaj za upotrebu.
7. Ako se zamrzivač postavi unutar prostorija koje se ne zagrijevaju, garaža, itd., kondenzacija se može pojaviti na vanjskim površinama zamrzivača tijekom hladnog vremena. Riječ je o normalnoj pojavi, a ne o kvaru. Uklonite kondenziranu tekućinu suhom krpom.

POKRETANJE

Završna provjera

Prije nego što započnete upotrebljavati zamrzivač:

1. Provjerite je li njegova unutrašnjost suha i može li zrak slobodno se kretati u njegovom stražnjem dijelu.
2. Očistite unutrašnjost prema preporukama iz poglavlja "ČIŠĆENJE I NJEGA".
3. Umetnite kabel za napajanje u utičnicu i uključite napajanje električnom energijom kada se uključi crveni svjetlosni pokazivač. Izbjegavajte slučajno isključivanje pritiskom prekidača. Zeleni se svjetlosni pokazivač pali i kompresor započinje raditi.
4. Bučan zvuk reproducira se prilikom pokretanja kompresora. Tekućina i plinovi zatvoreni unutar rashladnog sustava također mogu uzrokovati buku, bez obzira radi li kompresor ili ne, što je sasvim normalno.
5. Ako ćete spremati već zamrznutu hranu, otvorite poklopac zamrzivača i provjerite je li zamrzivač dosegao ispravnu temperaturu. Zatim stavite prethodno zamrznutu hranu.
6. Ne stavljajte hranu u zamrzivač odmah nakon što ga uključite. Pričekajte da se dosegne ispravna temperatura čuvanja. Preporučujemo vam da provjerite temperaturu točnim termometrom.

Važne napomene:

- Ako dođe do nestanka električne energije, ne otvarajte poklopac. Zaleđena hrana neće se pokvariti ako nestanak struje ne bude dulji od 20 sati. Ako nestanak električne energije traje dulje od navedenog vremena, zaleđena hrana treba se provjeriti i odmah konzumirati ili skuhati pa ponovno zalediti.
- Ne brinite se ako ne budete mogli lako otvoriti poklopac zamrzivača škrinje odmah nakon njegovog zatvaranja. Navedena pojava uzrokovana je razlikom u tlaku koji će se izjednačiti kako bi se poklopac mogao normalno otvoriti nakon nekoliko minuta.

RAD ZAMRZIVAČA

Zaslon je prikazan kao na slikama u nastavku:



Funkcije:

Kad se sustav prvi put uključi, zasvijetle svi LED indikatori i digitalni zaslon te će se vratiti na normalan prikaz za 2 s. Kad je digitalni zaslon uključen, automatski će se isključiti ako u roku od 3 minute ne pokrenete nijednu tipku, a sve tipke su zaključane. Kad je zaslon isključen, možete ga uključiti tako da pritisnete bilo koju tipku prvi put, a zatim držite tipku "-" pritisnutom 3 sekunde radi otključavanja tipaka.

★ Hladnjak/zamrzivač

1) Prilagodljivi temperaturni rasponi: 8 °C~2 °C u načinu rada hladnjaka i -12 °C ~ -24 °C u načinu rada zamrzivača, koji se može kružno prilagoditi kako bi se osigurala funkcija hladnjaka/zamrzivača.

2) Nakon što su tipke otključane, pokazivač temperature počinje treperiti kad prvi put pritisnete tipku "+" / "-", pri čemu se u tom trenutku mogu promijeniti vrijednosti temperature.

Pri prilagodbi temperature: ako je temperatura postavljena na 2 °C, prilagodit će se na -12 °C nakon pritiska tipke "-"; ako je temperatura postavljena na -24 °C, prilagodit će se na 8 °C nakon pritiska tipke "-"; ako je temperatura postavljena na -12 °C, prilagodit će se na 2 °C nakon pritiska tipke "+"; a ako je temperatura postavljena na 8 °C, prilagodit će se na -24 °C nakon pritiska tipke "+".

★ Postavljanje temperature hladnjaka


Temperaturu možete prilagoditi pritiskom tipke "+" / "-". Kad prvi put pritisnete tipku "+"/"-", temperatura se mijenja; a kad ponovno pritisnete tipku "+"/"-", postavljena se temperatura povećava/smanjuje za 1 °C. Kad je raspon temperature postavljen na 8 °C~2 °C, omogućen je način rada hladnjaka.

★ Postavljanje temperature zamrzivača

Temperaturu možete prilagoditi pritiskom tipke "+" / "-". Kada se tipka "+"/"- pritisne prvi put, vrijednost temperature podložna je promjeni; a kada se tipka "+"/"- ponovno pritisne, postavljena se temperatura povećava/smanjuje za 1C u skladu s tim. Kad je temperaturni raspon postavljen na -12 °C~-24 °C, omogućen je način zamrzavanja.

★ Brzo zamrzavanje

Kad je aktivirana funkcija "Brzo zamrzavanje", temperatura zamrzivača se automatski postavlja na -32 °C, a nakon 26-satnog rada funkcija brzog zamrzavanja se isključuje. Smanjivanje temperature zamrzivača korisno je za sprječavanje gubitka hranjivih tvari i očuvanje svježine.

- 1)  Kad je aktivna funkcija "Brzo zamrzavanje", prikazuje se temperatura "- 32°C" koja se ne mijenja.
- 2) Ulaz u funkciju "Brzo zamrzavanje" i izlaz iz nje
Kad su tipke otključane, možete držati tipku "+" pritisnutom 3 sekunde za ulazak u funkciju "Brzo zamrzavanje" ili izlazak iz nje.

Napomena: Ako je temperatura zamrzivača postavljena ispod nule (tj. u načinu je rada zamrzivača) prije omogućavanja funkcije brzog zamrzavanja, vratit će se na postavljenu temperaturu nakon izlaska funkcije "Brzo zamrzavanje"; a ako je temperatura zamrzivača postavljena iznad nule (tj. u načinu je rada hladnjaka) prije omogućavanja funkcije brzog zamrzavanja, vratit će se na -18 C po zadanim postavkama nakon izlaska iz funkcije "Brzo zamrzavanje".

★ Sigurnosna blokada za djecu

- 1) Kad je uključena funkcija "Sigurnosna blokada za djecu", nije moguće postaviti temperaturu i funkciju kako bi se spriječio pogrešan rad.
- 2) Ulaz u funkciju "Sigurnosna blokada za djecu":
Ako u roku od 3 minute ne pokrenete nijednu tipku, funkcija "Sigurnosna blokada za djecu" zamrzivača automatski će se aktivirati.
- 3) Izlaz iz funkcije "Sigurnosna blokada za djecu":
Tipku "-" možete držati pritisnutom 3 sekunde kako biste izašli iz funkcije "Sigurnosna blokada za djecu".

★ Memorija isključenja napajanja

U slučaju nestanka struje zamrzivač će zadržati isto radno stanje kao prije nestanka struje kad se napajanje ponovno uključi.

★ Zaštita od odgode uključivanja

Kako bi se kompresor hladnjaka zaštitio od oštećenja u slučaju kratkotrajnog nestanka struje (kraćeg od, primjerice, 5 minuta), kompresor se neće uključiti odmah nakon uključivanja napajanja.

★ Alarm za kvarove

Ako se na upravljačkoj ploči prikaže E0, to označava kvar zamrzivača. U tom slučaju obratite se osobi zaduženoj za naknadnu prodaju.



Zbog pojedinih faktora u hladnjaku stvarna temperatura u kutiji može odstupati od postavljene temperature, što je normalna pojava i ne utječe na normalnu upotrebu proizvoda.

ČUVANJE ZAMRZNUTE HRANE

Prethodno pakirana i zaleđena hrana široke potrošnje treba se čuvati sukladno uputama proizvođača zaleđene hrane koje se odnose na odjeljak zamrzivača.

Kako bi se sačuvala visoka kvaliteta hrane koju propisuje proizvođač zamrznute hrane, a koju održava prodavač, pazite da:

1. Stavite pakiranja hrane u zamrzivač što je prije moguće nakon kupnje.
2. Ne konzumirate hranu nakon isteka datuma navedenog ispod „Najbolje upotrijebiti do“ i „Rok trajanja“.

ZALEĐIVANJE SVJEŽE HRANE

Ako je moguće, postavite svježiju hranu, koju želite zamrznuti, pokraj bočnih stjenki zamrzivača i dalje od već zamrznute hrane zamrzivača.

Nikada ne prekoračujte najveći kapacitet. Ne zaleđujte velike količine odjednom.

Kvaliteta se hrane najbolje čuva kada se zamrzne unutrašnji glavni dio hrane što je prije moguće.

Pazite da ne pomiješate već zaleđenu i svježiju hranu.

ODLEĐIVANJE

Odledite uređaj dva puta godišnje kada je debljina leda približno 7 mm (1/4").

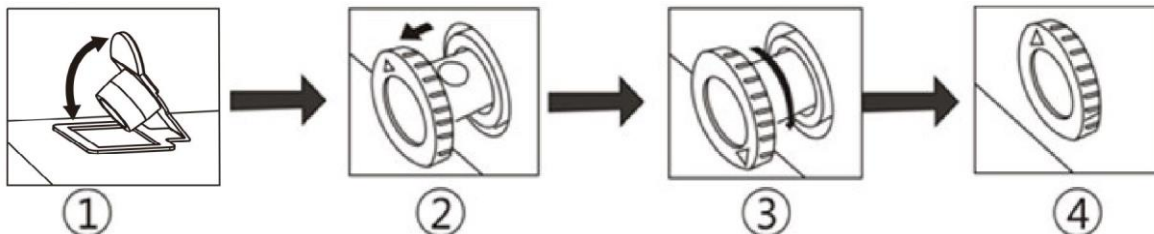
U protivnom možete isključiti zamrzivač izvlačenjem kabela za napajanje zamrzivača iz utičnice i odspojiti ga s glavnog napajanja.

Izvučite cijev za vodu i stavite je u spremnik za vodu.

Postavite zakretni prekidač u položaj „-24“ 6 sati prije odleđivanja kako bi se hrana zaledila na najnižu temperaturu prije nego što je izvadite iz zamrzivača. Hrana se treba umotati u nekoliko slojeva novima i čuvati na hladnom mjestu (npr. hladnjaku ili stalku).

Izvadite košaru iz zamrzivača. Ostavite poklopac otvorenim. Spremnike s vrućom vodom možete pažljivo postaviti u zamrzivač kako biste ubrzali postupak odleđivanja.

Nikada ne upotrebljavajte sušila za kosu, električne grijače ili druge električne uređaje za odleđivanje. Kada je postupak odleđivanja gotov, sakupite odleđenu vodu koja se nakupila na donjem dijelu zamrzivača kako je prikazano na grafičkom prikazu u nastavku i temeljito osušite unutrašnjost zamrzivača. Prebacite u položaj Brzo zamrzavanje i ostavite da radi oko tri sata.



1. Otvor za odvod nalazi se na dnu podloge zamrzivača, a prilikom odmrzavanja uklonite gumeni poklopac, a zatim voda od odmrzavanja istječe i ispušta se iz odvodne cijevi.

2. Izvučite cijev za vodu 20 - 25 mm dok ne vidite rupu za vodu.

3. Okrećite cijev za vodu dok strelice ne budu okrenute prema dolje.

4. Nakon što se postupak odleđivanja završi, provjerite curi li još voda kako biste mogli vratiti natrag gumu za vodu i okretati je dok strelice ne budu okrenute prema gore.

Važne napomene:

- Ne upotrebljavajte šiljaste ili oštre predmete, poput noževa ili vilica, kako biste uklonili led.
- Nikada ne upotrebljavajte sušila za kosu, električne grijače ili druge električne uređaje za odleđivanje.
- Uobičajeno je da se kapi vode ili led pojavljuju na gumi zamrzivača i brtvama vrata tijekom vlažnog vremena, no to neće utjecati na normalnu upotrebu. U tom slučaju, molimo vas da ga na vrijeme očistite suhom krpom!

ČIŠĆENJE I ODRŽAVANJE

** Preporučujemo vam da izvučete kabel za napajanje zamrzivača iz utičnice i odspojite ga s glavnog napajanja prije čišćenja.

** Za čišćenje nikada ne upotrebljavajte oštre abrazivne alate, sapun, kućanski deterdžent ili vosak za poliranje.

** Upotrijebite mlaku vodu za čišćenje unutrašnjeg dijela zamrzivača koji zatim obrišite.

** Upotrijebite krpu umočenu u otopinu jedne žličice sode bikarbone u čaši vode kako biste očistili unutrašnjost zamrzivača i obrisali ga.

** Prekomjerne naslage leda moraju se svakodnevno uklanjati upotrebom plastične lopatice za uklanjanje leda koju možete kupiti u obližnjoj trgovini.

Velike nakupine leda smanjuju učinkovitost rada zamrzivača.

** Ako nećete upotrebljavati zamrzivač dulje vremensko razdoblje, isključite ga, izvadite svu hranu, očistite ga i ostavite poklopac poluotvoren.

** Redovito provjeravajte brtve poklopca koji trebaju biti čisti i bez čestica hrane.

Važne napomene:

Nikada ne čistite kompresor mlazom vode. Obrišite ga temeljito suhom krpom nakon čišćenja kako biste spriječili nastajanje hrđe.

ŠTO SE SMIJE, A ŠTO NE

Smijete odmrzavati hranu iz zamrzivača u hladnjaku ili mikrovalnoj pećnici sukladno uputama za odleđivanje i pripremanje.

Smijete paziti da u cijelosti zatvorite poklopac zamrzivača svaki puta nakon njegovog otvaranja.

Smijete odmrznuti zamrznuto meso prije pripremanja.

Smijete nježno zatvarati poklopac.

Smijete redovito provjeravati sadržaj zamrzivača.

Smijete redovito čistiti i odmrzavati zamrzivač (pogledajte odjeljak "Odmrzavanje")

Smijete čuvati hranu što kraće i konzumirati je prije datuma navedenog ispod „Najbolje upotrijebiti do“ i „Rok trajanja“.

Smijete čuvati zamrznutu hranu široke potrošnje sukladno uputama koje su navedene na pakiranjima koja kupite.

Smijete odabrati visokokvalitetnu svježu hranu i provjeravati je li potpuno čista prije zaleđivanja.

Smijete podijeliti svježu hranu za zaleđivanje u male porcije kako bi se brže zaledila.

Smijete zamotati svu hranu u aluminijsku foliju ili je staviti u kvalitetne plastične vreće za zaleđivanje i istisnite zrak.

Smijete zamotati zamrznutu hranu kad je kupite i što prije je staviti u zamrzivač.

Smijete čuvati male namirnice u priloženoj košari.

Smijete izvaditi sladoled iz zamrzivača 10 – 20 minuta prije posluživanja.

Ne smijete ostaviti poklopac otvoren dulje vrijeme jer će to učiniti zamrzivač skupljim za rad i uzrokovati prekomjerno stvaranje leda.

Ne smijete upotrebljavati šiljaste ili oštre predmete, poput noževa ili vilica, kako biste uklonili led.

Ne smijete stavljati vruću hranu u zamrzivač. Pustite prvo da se hrana ohladi.

Ne smijete stavljati boce s tekućinom ili zatvorene limenke s gaziranim tekućinama u zamrzivač jer mogu prsnuti.

Ne smijete čuvati otrovne ili opasne tvari u zamrzivaču. Vaš zamrzivač namijenjen je samo za čuvanje jestivih namirnica.

Ne smijete konzumirati sladoled i zaleđenu vodu izravno iz zamrzivača. Niska temperatura može uzrokovati 'opekline od hladnoće' na usnama.

Ne smijete zaleđivati gazirana pića.

Ne smijete držati otopljenu zamrznutu hranu koja se mora konzumirati unutar 24 sata ili pripremiti i ponovno zalediti.

Ne smijete uklanjati namirnice iz zamrzivača mokrim rukama.

Ne smijete nasilno zatvarati poklopac. Oštetit ćete uređaj.

• Ovaj uređaj nije namijenjen za upotrebu osobama (uključujući djecu) s ograničenim fizičkim, osjetnim ili mentalnim sposobnostima ili kojima nedostaju iskustvo i znanje, osim ako ih osoba odgovorna za njihovu sigurnost ne nadzire ili im ne da upute u vezi s upotrebom uređaja.

• Potreban je nadzor nad djecom kako bi se osiguralo da se ne igraju uređajem.

• Ne čuvajte eksplozivne tvari poput stlačenih spremnika sa zapaljivim punjenjem u ovom uređaju.

• Ovaj uređaj namijenjen je za upotrebu u kućanstvima i sličnim aplikacijama kao što su kuhinjski prostori za osoblje u trgovinama, uredima i drugim radnim okruženjima na farmama te za klijente u hotelima, motelima i drugim stambenim okruženjima; ugostiteljskim objektima koji nude noćenje s doručkom i sličnim okruženjima koje nisu dio maloprodaje.

• Ako je kabel za napajanje oštećen, mora ga zamijeniti proizvođač, njegov servisier ili osobe sličnih kvalifikacija kako bi se izbjegla svaka opasnost.

Mijenjanje žarulje

U hladnjaku se za osvjetljenje upotrebljava LED žarulja s niskom potrošnjom energije i dugim vijekom trajanja. Ako dođe do neispravnosti, obratite se osoblju nakon prodaje za terensku uslugu. Žarulje može zamijeniti samo proizvođač.

Vrsta žarulje: LED žarulja.

Razina energetske učinkovitosti:F

ELEKTRIČNE INFORMACIJE

OVAJ SE UREĐAJ MORA UZEMLJITI.

Ovaj je uređaj opremljen spojenim trolpolnim utikačem na BS 1363 koji će biti prikladan za upotrebu u svim kućama opremljenima utičnicama prema trenutnim specifikacijama.

Ako ugrađeni utikač nije prikladan za utičnice, treba ga odsjeći i pažljivo odložiti. Kako biste izbjegli moguću opasnost od udara, ne stavljajte odbačeni utikač u utičnicu.

Ovaj je uređaj u skladu s direktivama EEZ-a:

Ispravno zbrinjavanje ovog proizvoda



Ova oznaka označava da se ovaj proizvod ne smije zbrinjavati s drugim kućnim otpadom u cijelom EU-u. Kako biste spriječili moguću štetu za okoliš ili ljudsko zdravlje zbog nekontroliranog odlaganja otpada, odgovorno ga reciklirajte kako biste promicali održivu ponovnu upotrebu materijalnih resursa. Da biste vratili rabljeni uređaj, upotrijebite sustave za vraćanje i prikupljanje ili se obratite prodavaču gdje je proizvod kupljen. Oni mogu uzeti ovaj proizvod kako bi se reciklirao na ekološki prihvatljiv način.

Upozorenja za zbrinjavanje

※ Rashladno sredstvo i pjenasti materijal od ciklopentana koji se upotrebljavaju za hladnjak su zapaljivi. Stoga, kada je hladnjak odbačen, mora se držati podalje od bilo kojeg izvora požara i mora ga zbrinuti posebno društvo za zbrinjavanje s odgovarajućim kvalifikacijama, osim ako se odlaže sagorijevanjem, kako bi se spriječilo zagađenje okoliša ili bilo koja druga šteta.

※ Kada odbacite hladnjak, rastavite vrata i uklonite brtvu s vrata i polica; postavite vrata i police na odgovarajuće mjesto kako biste spriječili da se dijete zaglavi.

pristup profesionalnim popravcima, kao što su internetske stranice, adrese, podaci za kontakt;

Popis benzinskih postaja za vanjsku prodaju:

Adresa	
Broj kontakta	
Web-stranica	
QR kod	

Napomena: Adresa ili kontakt telefon servisnog mjesta podložni su promjenama bez prethodne najave. Potvrdite je li benzinska postaja izravno povezana s nekom od naših tvrtki kada su vam potrebne usluge.

relevantne informacije za naručivanje rezervnih dijelova, izravno ili drugim kanalima koje je dostavio proizvođač, uvoznik ili ovlašteni predstavnik;

minimalno razdoblje tijekom kojeg su dostupni rezervni dijelovi potrebni za popravak uređaja;

upute o tome kako pronaći informacije o modelu u bazi podataka o proizvodu, kako je definirano u Uredbi (EU) 2019/2019 putem web-linka koji povezuje informacije o modelu kako su pohranjene u bazi podataka o proizvodu ili veze do baze podataka o proizvodu i informacije o tome kako pronaći identifikacijsku oznaku modela na proizvodu.)

CONGELATORE VERTICALE
MANUALE DI ISTRUZIONI

MODELLO N.:

CMCH 100 D

CMCH 150 D

CMCH 200 D

LA SICUREZZA



AVVERTENZA!

Per i soggetti diversi dal personale di assistenza autorizzato è pericoloso eseguire interventi di assistenza o riparazioni che prevedano la rimozione dei coperchi. Per evitare il rischio di scosse elettriche, non tentare di riparare questo apparecchio da soli.

AVVERTENZA!

Rischio di incendio/materiali infiammabili.



Consigli per la sicurezza

Non utilizzare apparecchi elettrici come asciugacapelli o stufe per sbrinare il congelatore.

I contenitori con gas o liquidi infiammabili possono esplodere a basse temperature.

Non conservare contenitori con materiali infiammabili, come bombolette spray, cartucce di ricarica per estintori, ecc. nel congelatore.

Non collocare bevande gassate nel congelatore. I ghiaccioli possono causare "ustioni da gelo/congelamento", se consumati direttamente dal congelatore.

Non togliere gli alimenti dal congelatore con le mani umide o bagnate per evitare la formazione di abrasioni cutanee o "ustioni da gelo/congelamento". Non mettere bottiglie e lattine nel congelatore, che potrebbero scoppiare quando il contenuto si congela.

Rispettare i tempi di conservazione consigliati dal produttore. Fare riferimento alle relative istruzioni.

Non consentire ai bambini di manomettere i controlli o di giocare con il congelatore. Il congelatore è pesante e deve quindi essere movimentato con cautela. Non modificare le caratteristiche tecniche o il prodotto in alcun modo, poiché modifiche non autorizzate possono causare problemi.

Non conservare gas o liquidi infiammabili all'interno del congelatore.

Se il cavo di alimentazione è danneggiato, deve essere sostituito dal produttore, da un tecnico dell'assistenza o da una persona con analogha qualifica per evitare rischi.

Questo elettrodomestico può essere utilizzato da bambini di almeno 8 anni, da persone con ridotte capacità fisiche, sensoriali o mentali e da persone inesperte solo sotto stretta sorveglianza o se hanno appreso le modalità di utilizzo sicuro dell'elettrodomestico e sono consapevoli dei relativi pericoli. Impedire ai bambini di giocare con l'elettrodomestico. La pulizia e la manutenzione non devono essere effettuate da bambini non sorvegliati.

Questo elettrodomestico non è progettato per l'installazione a incasso.

Questo elettrodomestico è destinato all'uso domestico e a utilizzi simili a quelli di seguito indicati:

- Zone cucina per il personale di negozi, uffici e altri ambienti lavorativi.
- Aziende agricole e clienti di hotel, motel e altri ambienti residenziali.
- Bed & breakfast.
- Catering e servizi simili non al dettaglio.

Le aperture di ventilazione nell'involucro dell'elettrodomestico o nella struttura a incasso devono rimanere sempre libere.

Non usare oggetti meccanici o utensili diversi da quelli consigliati dal produttore per accelerare lo sbrinamento.

Non danneggiare il circuito di refrigerazione.

Non adoperare apparecchiature elettriche all'interno dei vani dell'elettrodomestico destinati alla conservazione degli alimenti, a meno che non siano del tipo consigliato dal produttore.

Non collocare sostanze esplosive (ad es. lattine di aerosol con propellente infiammabile) all'interno di questo elettrodomestico.

Questo elettrodomestico può essere utilizzato da persone (bambini inclusi) con ridotte capacità fisiche, sensoriali o mentali oppure senza esperienza e conoscenza sufficiente dell'uso solo sotto sorveglianza di una persona responsabile della loro sicurezza e solo se hanno appreso come utilizzarlo. Impedire ai bambini di giocare con l'elettrodomestico.

- **AVVERTENZA:** le aperture di ventilazione nell'involucro dell'elettrodomestico o nella struttura a incasso devono rimanere sempre libere.

- **AVVERTENZA:** non usare oggetti meccanici o utensili diversi da quelli consigliati dal produttore per accelerare lo sbrinamento.

- **AVVERTENZA:** non danneggiare il circuito di refrigerazione.

- **AVVERTENZA:** non adoperare apparecchiature elettriche all'interno dei vani dell'elettrodomestico destinati alla conservazione degli alimenti, a meno che non siano del tipo consigliato dal produttore.

- **AVVERTENZA:** i frigoriferi - in particolare il frigorifero-congelatore di Tipo I - potrebbero non funzionare regolarmente (il contenuto potrebbe scongelarsi o la temperatura nel comparto alimenti congelati potrebbe aumentare eccessivamente) se collocati per un lungo periodo di tempo in un'area con temperatura inferiore alla temperatura minima di regolazione prevista.

- **AVVERTENZA:** è necessario che, per gli sportelli o i coperchi dotati di serrature e chiavi, le chiavi siano conservate fuori dalla portata dei bambini e non in prossimità dell'elettrodomestico, per evitare che i bambini rimangano intrappolati.

- **AVVERTENZA:** il refrigerante utilizzato nell'apparecchio e i materiali isolanti richiedono procedure di smaltimento particolari.

- **AVVERTENZA:** quando l'elettrodomestico viene collocato nella sede prescelta, accertarsi che il cavo di alimentazione non sia incastrato o danneggiato.

- **AVVERTENZA:** non collocare prese multiple o alimentatori portatili nella parte posteriore dell'elettrodomestico.

I bambini di età compresa tra 3 e 8 anni possono caricare e scaricare il frigo. Per evitare la contaminazione degli alimenti, attenersi alle seguenti istruzioni:

- Se gli sportelli rimangono aperti a lungo, la temperatura nei compartimenti dell'elettrodomestico aumenta notevolmente.

- Pulire regolarmente le superfici che entrano a contatto con gli alimenti e i sistemi di scarico accessibili.

- Pulire i serbatoi dell'acqua se non sono stati utilizzati per 48 ore; lavare il sistema idrico collegato alla fonte idrica se l'acqua non è stata scaricata per 5 giorni.

- Conservare carne e pesce crudo nel frigorifero in contenitori idonei, in modo che non gocciolino o entrino a contatto con altri alimenti.

- I vani congelatore a due stelle sono adatti alla conservazione di alimenti precongelati e alla conservazione o preparazione di gelati e cubetti di ghiaccio.

- I vani congelatore a una, due o tre stelle non sono adatti al congelamento di alimenti freschi.

- Se il frigorifero dovrà rimanere vuoto per lunghi periodi, spegnerlo, sbrinarlo, pulirlo, asciugarlo e lasciare lo sportello aperto per evitare la formazione di muffa all'interno dell'elettrodomestico.

Classe climatica

Le informazioni relative alla classe climatica dell'apparecchio sono riportate sulla targhetta e indicano a quale temperatura ambiente (cioè la temperatura dell'ambiente in cui l'elettrodomestico è in funzione) il funzionamento dell'apparecchio è ottimale (corretto).

Classe climatica	Temperatura ambiente consentita
SN	Da +10°C a +32°C.
N	Da +16°C a +32°C.
ST	Da +16°C a +38°C.
T	Da +16°C a +43°C.

Nota: considerando valori limite dell'intervallo di temperatura ambiente per le classi climatiche per le quali il frigorifero è stato progettato e il fatto che le temperature interne potrebbero essere influenzate da fattori quali la collocazione dell'apparecchio, la temperatura ambiente e la frequenza di apertura delle porte, è possibile che le impostazioni di eventuali dispositivi di controllo della temperatura debbano essere modificate per tenere conto di questi fattori.

Se il cavo di alimentazione è danneggiato, deve essere sostituito dal produttore, da un tecnico dell'assistenza o da una persona con analogha qualifica per evitare rischi.



Nota: quando l'apparecchio è in funzione in un ambiente con temperature diverse dal tipo di clima specificato (ovvero, al di fuori dell'intervallo di temperatura ambiente nominale), è possibile che non riesca a mantenere le temperature richieste.

Serrature

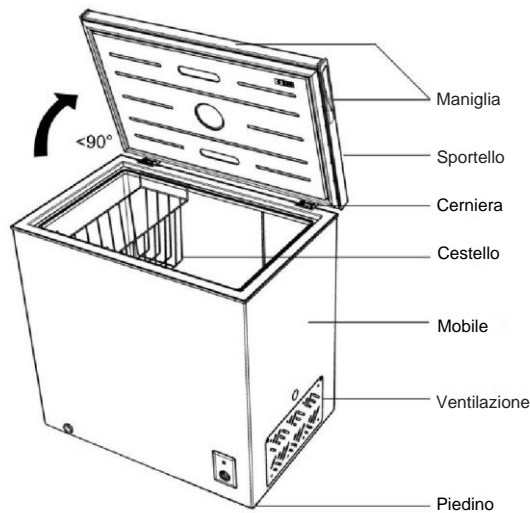
Se il frigorifero è provvisto di serrature, tenere le chiavi fuori dalla portata dei bambini e non nelle vicinanze dell'elettrodomestico per evitare che i bambini rimangano intrappolati.

Prima di smaltire un vecchio frigorifero, smontare i vecchi dispositivi di blocco per motivi di sicurezza.

Senza freon

Per il frigorifero si utilizzano il refrigerante privo di freon (R600a) e il materiale isolante schiumogeno (ciclopentano) rispettoso dell'ambiente, che non danneggia lo strato di ozono e ha un impatto minimo sul riscaldamento globale. R600a è infiammabile, pertanto durante il normale utilizzo è sigillato in un sistema di refrigerazione che non prevede fuoriuscite. Tuttavia, in caso di perdite di refrigerante dovute al danneggiamento del circuito frigorifero, assicurarsi di tenere l'apparecchio lontano da fiamme libere e di aprire le finestre per la ventilazione il più rapidamente possibile.

NOMI DEI COMPONENTI



A causa dell'innovazione tecnologica, le descrizioni del prodotto contenute in questo manuale potrebbero non essere completamente coerenti con il congelatore. I dettagli sono conformi al prodotto reale.

AVVERTENZA: Non toccare mai l'interno del congelatore o gli alimenti congelati nel vano con le mani bagnate, poiché ciò potrebbe causare ustioni da freddo.

ISTRUZIONI PER IL TRASPORTO

L'elettrodomestico deve essere trasportato solo in posizione verticale. L'imballo deve restare intatto durante il trasporto.

Se durante il trasporto il prodotto viene collocato in posizione orizzontale, deve essere adagiato solo sul lato sinistro (guardando lo sportello) e non deve essere utilizzato per almeno 4 ore, per consentire l'assestamento del sistema una volta riportato l'elettrodomestico in posizione verticale.

1. La mancata osservanza delle precedenti istruzioni può provocare danni all'elettrodomestico. Se queste istruzioni non vengono seguite, il produttore non potrà essere ritenuto responsabile.

2. L'elettrodomestico deve essere protetto dalla pioggia, dall'umidità e da altri agenti atmosferici.

IMPORTANTE: Durante le operazioni di pulizia o trasporto dell'elettrodomestico, fare attenzione a non toccare i cavi metallici del condensatore collocati sul retro per evitare di ferirsi le dita e le mani o di danneggiare il prodotto.

IMPORTANTE: Questo elettrodomestico non può essere impilato con altri elettrodomestici. Non sedersi né salire sull'elettrodomestico. Non è progettato per simili utilizzi. Ci si potrebbe ferire o l'elettrodomestico potrebbe danneggiarsi.

IMPORTANTE: Accertarsi che il cavo di alimentazione non resti impigliato sotto l'apparecchiatura per evitare che si laceri o si danneggi.

Durante il posizionamento dell'elettrodomestico fare attenzione a non danneggiare il pavimento, le tubazioni, i rivestimenti delle pareti ecc. Non spostare l'apparecchio tirandolo per il coperchio o la maniglia. Non consentire ai bambini di giocare con l'apparecchio o manomettere i controlli. In caso di inosservanza delle istruzioni, l'azienda declina qualunque responsabilità.

ISTRUZIONI PER L'INSTALLAZIONE

1. Se possibile, evitare di installare l'elettrodomestico vicino ai fornelli, ai radiatori o alla luce solare diretta, in quanto il compressore potrebbe rimanere in funzione per lunghi periodi. Se l'elettrodomestico viene installato vicino a una fonte di calore o a un frigorifero, lasciare lateralmente i seguenti spazi:

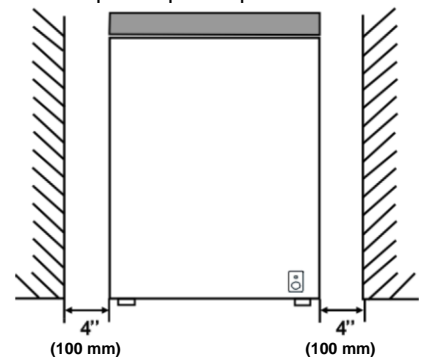
Dai fornelli	100 mm
Dai radiatori	300 mm
Dai frigoriferi	100 mm

2. Accertarsi che attorno all'elettrodomestico lo spazio sia sufficiente per la circolazione dell'aria. In ogni caso, lo spazio attorno al congelatore non dovrebbe essere inferiore a 10 cm e le distanze dovrebbero essere quelle mostrate nella figura seguente.

3. L'elettrodomestico deve essere collocato su una superficie piana.

4. Il frigorifero non deve essere utilizzato all'aperto.

5. Protezione dall'umidità. Non collocare il congelatore in luoghi umidi per evitare la formazione di ruggine sulle parti metalliche. Non spruzzare acqua sul congelatore per evitare di indebolire l'isolamento e causare perdite di corrente.



6. Per preparare l'elettrodomestico all'uso, fare riferimento alla sezione "Pulizia e manutenzione".
7. Se il congelatore viene installato in ambienti non riscaldati (ad es. garage), nei climi freddi si potrebbe formare condensa sulle superfici esterne. Questa condizione è normale e non indica un guasto. Rimuovere la condensa con un panno asciutto.

AVVIO

Controllo finale

Prima di iniziare a utilizzare il congelatore, effettuare le seguenti verifiche:

1. L'interno deve essere asciutto e l'aria deve circolare liberamente sulla parte posteriore.
2. Pulire l'interno come consigliato in "PULIZIA E MANUTENZIONE".
3. Inserire la spina nella presa e accendere il prodotto. La spia rossa si accende. Prevenire scollegamenti accidentali sigillando l'interruttore. La spia verde si illumina e il compressore entra in funzione.
4. All'avvio, il compressore emette un rumore. Il liquido e i gas sigillati all'interno del sistema di refrigerazione possono causare rumori anche quando il compressore non è in funzione e questa condizione non indica un problema.
5. Per conservare alimenti già congelati, aprire il coperchio del congelatore e accertarsi che l'elettrodomestico abbia raggiunto la temperatura corretta. Inserire, quindi, gli alimenti già congelati.
6. Non caricare l'elettrodomestico subito dopo averlo acceso; attendere fino a quando viene raggiunta la corretta temperatura. Si consiglia di controllare la temperatura con un termometro preciso.

Note importanti:

- In caso di interruzione della corrente, non aprire il coperchio. Se il blackout non supera le 20 ore, gli alimenti congelati non dovrebbero subire alterazioni. Se l'interruzione dell'alimentazione dura di più, controllare gli alimenti e consumarli immediatamente o ricongelarli solo dopo averli cotti.
- Se il coperchio del congelatore verticale non si riapre facilmente subito dopo che è stato chiuso, non si tratta di un problema, in quanto tale condizione dipende dalla differenza di pressione che si bilancerà entro pochi minuti consentendo nuovamente l'apertura del coperchio.

FUNZIONAMENTO DEL CONGELATORE

Di seguito viene illustrato il pannello con il display:



Funzioni:

Al primo utilizzo, tutte le spie a LED e la luce del display digitale si accendono, tornando alla visualizzazione normale dopo 2 secondi. Una volta acceso, lo schermo del display digitale si spegne automaticamente entro 3 minuti se non viene azionato alcun tasto e tutti i tasti risultano bloccati. A questo punto è possibile riattivare lo schermo del display premendo prima un tasto qualsiasi, poi tenendo premuto il tasto "-" per 3 secondi per sbloccare i tasti.

★ Frigo/congelatore

1) Intervalli di temperatura regolabili: 8°C ~ 2°C in modalità frigorifero e -12°C ~ -24°C in modalità congelatore; questi intervalli possono essere regolati in modo circolare per realizzare la funzione frigorifero/congelatore.

2) Dopo aver sbloccato i tasti, il display che indica la temperatura inizia a lampeggiare se si preme per la prima volta il tasto "+" / "-", con i valori di temperatura che a questo punto sono soggetti a modifiche.

Quando si imposta la temperatura: se la temperatura è impostata a 2°C, verrà portata a -12°C dopo aver premuto il tasto "-"; se la temperatura è impostata a -24°C, verrà portata a 8°C dopo aver premuto il tasto "-"; se la temperatura è impostata a -12°C, verrà portata a 2°C dopo aver premuto il tasto "+"; e se la temperatura è impostata a 8°C, verrà regolata a -24°C dopo aver premuto il tasto "+".

★ Impostazione della temperatura del frigorifero


È possibile regolare il valore della temperatura premendo il tasto "+" / "-". Premendo per la prima volta il tasto "+" / "-" il valore della temperatura è soggetto a variazioni; premendo nuovamente il tasto "+" / "-" la temperatura impostata viene aumentata/diminuita di 1°C di conseguenza. Quando l'intervallo di temperatura è impostato su 8°C ~ 2°C, la modalità frigorifero è abilitata.

★ Impostazione della temperatura del congelatore

È possibile regolare il valore della temperatura premendo il tasto "+" / "-". Premendo per la prima volta il tasto "+" / "-" il valore della temperatura è soggetto a variazioni; premendo nuovamente il tasto "+" / "-" la temperatura impostata viene aumentata/diminuita di 1°C di conseguenza. Quando l'intervallo di temperatura è impostato su -12°C ~ -24°C, la modalità congelatore è abilitata.

★ Fast Freeze (Congelamento rapido)

La funzione "Fast Freeze" consente di impostare automaticamente la temperatura del congelatore a -32°C e resta attiva per 26 ore, dopodiché si disattiva. L'abbassamento rapido della temperatura del congelatore è vantaggioso in quanto impedisce che gli alimenti perdano i nutrienti e ne preserva la freschezza.

1)  Quando la funzione "Fast Freeze" è attiva, la temperatura viene visualizzata come "- 32°C" e non è soggetta a modifiche.

2) Per accedere o uscire dalla funzione "Fast Freeze"

Quando i tasti sono sbloccati, è possibile tenere premuto il tasto "+" per 3 secondi per accedere o uscire dalla funzione "Fast Freeze".

Nota: se la temperatura viene impostata sotto lo zero (cioè in modalità congelatore) prima che la funzione di congelamento rapido sia abilitata, si tornerà ai valori impostati dopo l'uscita dalla funzione "Fast Freeze"; se la temperatura del congelatore è impostata sopra lo zero (cioè in modalità frigorifero) prima che la funzione di congelamento rapido sia abilitata, i valori torneranno a -18°C per impostazione predefinita dopo l'uscita dalla funzione "Fast Freeze".

★ Sicurezza bambini

1) Per evitare malfunzionamenti, quando è abilitata la funzione "Sicurezza bambini" non è possibile regolare la temperatura e la funzione.

2) Per accedere alla funzione "Sicurezza bambini":

Se non vengono azionati i tasti entro 3 minuti, la funzione "Sicurezza bambini" del congelatore si abilita automaticamente.

3) Per uscire dalla funzione "Sicurezza bambini":

Per uscire dalla funzione "Sicurezza bambini" è possibile tenere premuto il tasto "-" per 3 secondi.

★ Memoria spegnimento

In caso di interruzione della corrente, al ripristino dell'alimentazione il congelatore manterrà lo stato di funzionamento impostato prima dell'interruzione.

★ Protezione con accensione ritardata

Per proteggere dai danni il compressore del frigorifero in caso di interruzione di corrente di breve durata (cioè meno di 5 minuti), il compressore non verrà avviato immediatamente dopo l'accensione.

★ Allarme in caso di guasto

Quando sul pannello operativo viene visualizzato "E0", si tratta di un guasto al congelatore. In questo caso si prega di contattare il personale post-vendita per ricevere assistenza.



A causa di fattori individuali dell'apparecchio, la temperatura effettiva nell'imballaggio potrebbe presentare un certo margine di errore rispetto alla temperatura impostata; è un fenomeno normale che non influisce sul regolare utilizzo del prodotto.

CONSERVAZIONE DEGLI ALIMENTI CONGELATI

Gli alimenti congelati confezionati disponibili in commercio devono essere conservati secondo le istruzioni del produttore relative al comparto congelatore.

Per garantire la massima qualità offerta dal produttore degli alimenti congelati e dal rivenditore di tali alimenti, attenersi alle seguenti istruzioni:

1. Inserire le confezioni nel congelatore nel più breve tempo possibile dopo l'acquisto.
2. Non conservare il prodotto oltre la data di scadenza obbligatoria o consigliata (indicata sulla confezione).

CONGELAMENTO DI ALIMENTI FRESCI

Collocare gli alimenti freschi da congelare accanto alle pareti laterali per garantirne il congelamento rapido; se possibile, tenerli lontano da altri alimenti congelati.

Non superare mai la capacità massima. Non congelare una quantità eccessiva di alimenti contemporaneamente.

Minore è il tempo di congelamento, maggiore sarà la qualità del prodotto.

Non mescolare alimenti già congelati e alimenti freschi.

SBRINAMENTO

Sbrinare l'elettrodomestico due volte all'anno oppure quando si forma uno strato di ghiaccio di circa 7 mm.

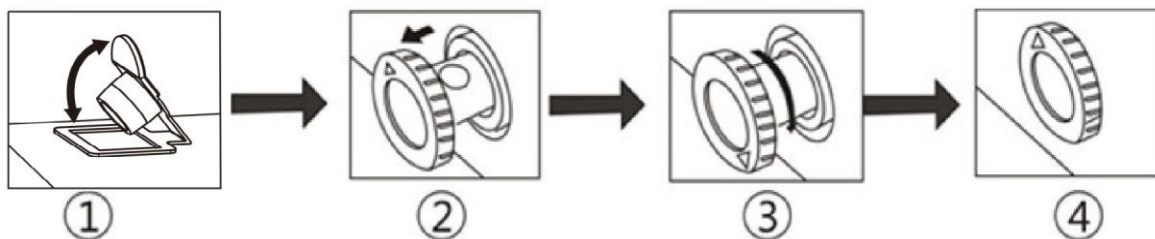
In alternativa, spegnere il congelatore e staccare la spina.

Estrarre il condotto d'acqua e inserirlo in un contenitore per l'acqua.

6 ore prima dello sbrinamento, impostare la manopola del termostato in posizione "-24" per accertarsi che la temperatura degli alimenti sia più bassa possibile quando vengono estratti. Tutti gli alimenti devono essere avvolti in diversi strati di carta di giornale e conservati in un luogo fresco (ad es. frigorifero o dispensa).

Rimuovere il cestello del congelatore. Lasciare il coperchio aperto. Per accelerare lo sbrinamento, è possibile collocare recipienti con acqua calda nel congelatore.

Non utilizzare asciugacapelli, stufe o apparecchi simili per lo sbrinamento. Al termine dello sbrinamento, rimuovere l'acqua di sbrinamento sul fondo del congelatore come mostrato nella figura seguente e asciugare perfettamente l'interno del congelatore. Accendere il congelatore con l'opzione Fast Freeze e lasciarlo in questa modalità per 3 ore.



1. Durante lo sbrinamento rimuovere il coperchio in gomma dell'uscita di scarico collocata nella parte inferiore del rivestimento del congelatore, quindi far defluire l'acqua di sbrinamento dal tubo di scarico.
2. Estrarre il condotto d'acqua per 20-25 mm fino a quando il foro per l'acqua diventa visibile.
3. Ruotare il condotto dell'acqua fino a quando la freccia punta verso il basso.
4. Al termine dello sbrinamento, accertarsi che non scorra più acqua e ricollocare il condotto con la freccia puntata verso l'alto.

Note importanti:

- Non adoperare oggetti appuntiti o affilati (ad es. coltelli o forchette) per rimuovere il ghiaccio.
- Non utilizzare asciugacapelli, stufe o apparecchi simili per lo sbrinamento.
- È normale che in caso di pioggia appaiano gocce d'acqua o brina sul collare del congelatore e sulle guarnizioni dello sportello, il che non pregiudica il normale utilizzo. In tal caso, pulire immediatamente con un panno asciutto!

PULIZIA E MANUTENZIONE

** Si raccomanda di spegnere il congelatore e scollegare la spina di alimentazione prima della pulizia.

** Non utilizzare strumenti affilati o abrasivi, sapone, detersivi, detergenti o cera lucidante.

** Pulire il vano del congelatore con acqua tiepida e asciugarlo.

** Utilizzare un panno morbido imbevuto di una soluzione composta da un cucchiaino da tè di bicarbonato di soda sciolto in mezzo litro d'acqua.

** Il deposito eccessivo di ghiaccio deve essere rimosso regolarmente con un raschietto per ghiaccio in plastica disponibile presso il rivenditore locale.

Accumuli notevoli di ghiaccio riducono il rendimento del congelatore.

** Se il congelatore non deve essere utilizzato per un lungo periodo di tempo, spegnerlo, togliere tutti gli alimenti, pulirlo e lasciare il coperchio socchiuso.

** Controllare regolarmente le guarnizioni del coperchio per accertarsi che siano pulite e prive di residui di alimenti.

Note importanti:

Non lavare con acqua la zona del compressore, ma dopo la pulizia strofinarla con un panno asciutto per evitare la formazione di ruggine.

COSA FARE E COSA NON FARE

Fare - Scongelare gli alimenti togliendoli dal congelatore e collocandoli nel frigorifero in un forno a microonde, attenendosi alle istruzioni per lo scongelamento e la cottura.

Fare - Accertarsi che il coperchio del congelatore sia perfettamente chiuso dopo ogni utilizzo.

- Fare** - Scongela completamente la carne congelata prima della cottura.
- Fare** - Chiudere delicatamente il coperchio.
- Fare** - Controllare regolarmente il contenuto del congelatore.
- Fare** - Pulire e sbrinare periodicamente il congelatore (vedere "Sbrinamento").
- Fare** - Conservare gli alimenti per il minor tempo possibile e rispettare le date di scadenza.
- Fare** - Conservare i surgelati attenendosi alle istruzioni riportate sulle confezioni.
- Fare** - Scegliere sempre alimenti di alta qualità e accertarsi che siano perfettamente puliti prima di congelarli.
- Fare** - Preparare alimenti freschi per congelarli in piccole porzioni per garantirne il congelamento rapido.
- Fare** - Avvolgere tutti gli alimenti in una pellicola di alluminio o inserirli in sacchetti di plastica da congelatore per evitare l'ingresso dell'aria.
- Fare** - Avvolgere gli alimenti congelati subito dopo l'acquisto e riporli nel congelatore nel più breve tempo possibile.
- Fare** - Conservare prodotti piccoli nel cestello in dotazione.
- Fare** - Togliere il gelato dal congelatore 10-20 minuti prima di servirlo.
- Non fare** - Lasciare a lungo il coperchio aperto, poiché ciò comporterà un aumento del consumo energetico e causerà la formazione di una quantità eccessiva di ghiaccio.
- Non fare** - Adoperare oggetti appuntiti o affilati come coltelli o forchette per rimuovere il ghiaccio.
- Non fare** - Collocare alimenti caldi nel congelatore. Attendere che gli alimenti si raffreddino.
- Non fare** - Collocare nel congelatore bottiglie piene di liquido o lattine sigillate contenenti bevande gassate a rischio di scoppio.
- Non fare** - Conservare sostanze velenose o pericolose nel congelatore. Il congelatore è stato progettato esclusivamente per la conservazione degli alimenti.
- Non fare** - Consumare granite e gelati subito dopo averli estratti dal congelatore, la bassa temperatura può causare "ustioni da congelamento" sulle labbra.
- Non fare** - Congelare bevande frizzanti.
- Non fare** - Cercare di conservare il cibo una volta scongelato: gli alimenti congelati devono essere consumati entro 24 ore oppure cotti e ricongelati.
- Non fare** - Togliere gli alimenti dal congelatore con le mani bagnate.
- Non fare** - Chiudere il coperchio con forza. L'elettrodomestico potrebbe danneggiarsi.
- Questo elettrodomestico può essere utilizzato da persone (bambini inclusi) con ridotte capacità fisiche, sensoriali o mentali oppure senza esperienza e conoscenza sufficiente dell'uso solo sotto sorveglianza di una persona responsabile della loro sicurezza e solo se hanno appreso come utilizzarlo.
 - Impedire ai bambini di giocare con l'elettrodomestico.
 - Non collocare sostanze esplosive (ad es. lattine di aerosol con propellente infiammabile) all'interno di questo elettrodomestico.
 - Questo elettrodomestico è destinato all'uso in ambienti domestici e simili, ad es. zone cucina per il personale di negozi, uffici e altri ambienti lavorativi; aziende agricole e clienti di hotel, motel e altri ambienti residenziali, nonché bed-and-breakfast; catering e servizi simili non al dettaglio.
 - Se il cavo di alimentazione è danneggiato, deve essere sostituito dal produttore, da un tecnico dell'assistenza o da una persona con analogha qualifica per evitare rischi.

Sostituzione della lampadina

Per l'illuminazione il frigorifero impiega una lampada a LED, che garantisce un basso consumo energetico e una lunga durata. In caso di eventuali anomalie, contattare il personale post-vendita per il servizio di assistenza. Le lampadine possono essere sostituite solo dal produttore.

Tipo di lampadina: Illuminazione a LED.

Livello di efficienza energetica: F

INFORMAZIONI ELETTRICHE

QUESTO ELETTRODOMESTICO DEVE ESSERE COLLEGATO A TERRA.

L'apparecchio è dotato di una spina a tre poli con fusibile BS 1363 che è adatta per l'uso in tutte le case dotate di prese conformi alle specifiche correnti.

Se la spina inserita non è adatta alle prese della propria abitazione, deve essere tagliata e smaltita in modo sicuro. Per evitare possibili scosse elettriche, non inserire la spina scartata in una presa.

L'apparecchio è conforme alle Direttive CEE:

Corretto smaltimento di questo prodotto



Questo simbolo indica che questo prodotto non deve essere smaltito con i comuni rifiuti domestici in tutta l'UE. Al fine di evitare eventuali danni all'ambiente o alla salute delle persone a causa dello smaltimento incontrollato, riciclare i rifiuti responsabilmente e favorire il riutilizzo sostenibile delle risorse materiali. Utilizzare i sistemi di restituzione e ritiro degli elettrodomestici usati o contattare il rivenditore presso cui è stato acquistato il prodotto, che potrà ritirarlo e garantirne il riciclaggio sicuro per l'ambiente.

Avvertenze per lo smaltimento

- ✘ Il refrigerante e il materiale schiumogeno a base di ciclopentano utilizzati per il frigorifero sono infiammabili. Al momento della rottamazione il frigorifero deve pertanto essere tenuto lontano da qualsiasi fonte di ignizione e recuperato da un'apposita ditta di recupero con qualifica corrispondente evitando lo smaltimento per combustione, responsabile di danni all'ambiente o di eventuali altri danni.
- ✘ Per preparare il frigorifero alla rottamazione, smontare le porte e rimuovere la guarnizione della porta e dei ripiani; collocare le ante e le mensole in una posizione adeguata, in modo da evitare che i bambini rimangano intrappolati.

l'accesso a servizi professionali di riparazione (come pagine web, indirizzi, recapiti);

Elenco delle stazioni di assistenza post-vendita:

Indirizzo	
Numero di contatto	
Sito Web	
QR Code	

Nota: l'indirizzo o il numero del contatto della pagina dedicata all'assistenza può subire modifiche senza preavviso. Al momento della richiesta di assistenza, si prega di confermare se la stazione di assistenza è direttamente affiliata alla nostra azienda.

le informazioni pertinenti per l'ordinazione di parti di ricambio, direttamente o tramite altri canali forniti dal fabbricante, dall'importatore o dal mandatario;

il periodo minimo durante il quale le parti di ricambio necessarie per la riparazione dell'apparecchio sono disponibili;

le istruzioni su come trovare le informazioni sul modello nella banca dati dei prodotti, secondo quanto definito nel regolamento (UE) 2019/2019, mediante un link alle informazioni del modello memorizzate nella banca dati dei prodotti o mediante un link alla banca dati dei prodotti, e informazioni su come trovare l'identificativo del modello sul prodotto.

ZAMRAŻARKA SKRZYNIOWA

INSTRUKCJA OBSŁUGI

NR MODELU:

CMCH 100 D

CMCH 150 D

CMCH 200 D

BEZPIECZEŃSTWO



OSTRZEŻENIE!

Wykonywanie czynności serwisowych lub napraw, które wiążą się ze zdjęciem osłon, stanowi zagrożenie dla osób innych niż autoryzowany personel serwisowy. Aby uniknąć ryzyka porażenia prądem, nie próbuj samodzielnie naprawiać tego urządzenia.

OSTRZEŻENIE!

Ryzyko pożaru/materiał łatwopalny.



Wskazówki dotyczące bezpieczeństwa

Do rozmrażania zamrażarki nie należy używać urządzeń elektrycznych, takich jak suszarka do włosów lub grzejnik.

Pojemniki z łatwopalnymi gazami lub cieczami mogą wyciekać w niskich temperaturach.

Nie przechowywać w zamrażarce żadnych pojemników z materiałami łatwopalnymi, takich jak puszki z aerozolem, wkłady do gaśnic itp.

Nie umieszczaj napojów gazowanych w komorze zamrażarki. Lizaki lodowe mogą powodować „odmrożenia”. Jeśli są konsumowane bezpośrednio po wyjęciu z zamrażarki.

Nie wyjmuj przedmiotów z komory zamrażarki wilgotnymi/mokrymi rękami, ponieważ może to spowodować otarcia skóry lub „odmrożenia”. Butelki i puszki nie mogą być umieszczane w komorze zamrażarki, ponieważ mogą pęknąć, gdy zawartość zamrze.

Należy przestrzegać zalecanych przez producenta czasów przechowywania. Zapoznaj się z odpowiednimi instrukcjami.

Nie pozwalaj dzieciom na manipulowanie przy elementach sterujących ani na zabawę zamrażarką. Zamrażarka jest ciężka.

Należy zachować ostrożność podczas przenoszenia. Zmiana specyfikacji lub próba modyfikacji tego produktu w jakikolwiek sposób jest niebezpieczna.

Nie przechowywać łatwopalnych gazów ani cieczy w zamrażarce.

Jeśli kabel zasilający ulegnie uszkodzeniu, dla bezpieczeństwa należy zlecić jego wymianę producentowi, autoryzowanemu serwisowi lub osobom o podobnych kwalifikacjach.

Urządzenie może być obsługiwane przez dzieci powyżej 8 roku życia i przez osoby o ograniczonych możliwościach fizycznych, sensorycznych lub umysłowych lub osoby nieposiadające doświadczenia ani wiedzy pod warunkiem, że są one pod odpowiednim nadzorem lub zostały poinstruowane, jak bezpiecznie obsługiwać urządzenie i rozumieją związane z nim zagrożenia. Dzieci nie powinny bawić się urządzeniem. Czyszczenie i konserwacja nie mogą być wykonywane przez dzieci bez dozoru.

To urządzenie chłodnicze nie jest przeznaczone do zabudowy.

Urządzenie jest przeznaczone do użytku domowego oraz do innych podobnych zastosowań takich jak

- użytkowanie w pomieszczeniach kuchennych przeznaczonych dla personelu sklepów, w biurach i innych miejscach pracy;
- użytkowanie w gospodarstwach rolnych i przez klientów hoteli, moteli oraz w innych środowiskach mieszkalnych;
- użytkowanie w pensjonatach;
- użytkowanie w środowisku cateringowym i przy innych zastosowaniach niehandlowych.

Należy dbać o drożność otworów wentylacyjnych w obudowie urządzenia wolnostojącego lub w konstrukcji do zabudowy.

Nie używaj urządzeń mechanicznych ani innych środków do przyspieszania procesu rozmrażania, chyba że są one zalecane przez producenta.

Uważaj, aby nie uszkodzić obwodu chłodniczego.

Nie używaj urządzeń elektrycznych wewnątrz komór do przechowywania żywności, chyba że są to urządzenia zalecane przez producenta.

Nie przechowuj w urządzeniu substancji wybuchowych takich jak aerozole w puszcze z łatwopalnymi gazami nośnymi.

To urządzenie nie może być użytkowane przez osoby (w tym dzieci) o ograniczonej sprawności fizycznej, czuciowej lub umysłowej ani przez osoby bez odpowiedniego doświadczenia i wiedzy, chyba że będą one dozorowane lub zostaną odpowiednio poinstruowane. Należy pilnować dzieci, aby nie bawiły się urządzeniem.

- **OSTRZEŻENIE:** Należy dbać o drożność otworów wentylacyjnych w obudowie urządzenia wolnostojącego lub w konstrukcji do zabudowy.

- **OSTRZEŻENIE:** Nie używaj urządzeń mechanicznych ani innych środków do przyspieszania procesu rozmrażania, chyba że są one zalecane przez producenta.

- **OSTRZEŻENIE:** Uważaj, aby nie uszkodzić obwodu chłodniczego.

- **OSTRZEŻENIE:** Nie używaj urządzeń elektrycznych wewnątrz komór do przechowywania żywności, chyba że są to urządzenia typu zalecanego przez producenta.

- **OSTRZEŻENIE:** Urządzenia chłodnicze – w szczególności chłodziarko-zamrażarka typu I – mogą nie działać prawidłowo (możliwość rozmrożenia zawartości lub zbyt wysoka temperatura w komorze na mrożoną żywność), gdy przez dłuższy czas będą ustawione temperatury poniżej dolnej granicy zakresu, dla których przeznaczone jest urządzenie chłodnicze;

- **OSTRZEŻENIE:** Klucze do drzwi i pokryw należy przechowywać poza zasięgiem dzieci, a nie w pobliżu urządzenia chłodniczego, aby zapobiec zamknięciu dzieci w środku.

- **OSTRZEŻENIE:** Czynnik chłodniczy używany w urządzeniu i materiały izolacyjne wymagają specjalnych procedur utylizacji.

- **OSTRZEŻENIE:** Podczas ustawiania urządzenia należy się upewnić, że kabel zasilający nie został przygnieciony ani uszkodzony.

- **OSTRZEŻENIE:** Za urządzeniem nie należy umieszczać listew zasilających ani przenośnych zasilaczy.

Dzieciom w wieku od 3 do 8 lat zezwala się na załadunek i rozładunek urządzeń chłodniczych. Aby uniknąć zanieczyszczenia żywności, należy przestrzegać następujących instrukcji:

- Otwarcie drzwi na długi czas może spowodować znaczny wzrost temperatury w komorach urządzenia.

- Regularnie czyść powierzchnie, które mogą mieć kontakt z żywnością oraz dostępne systemy odwadniające.

- Wyczyść zbiorniki na wodę, jeśli nie były używane przez 48 godzin; przepłukać instalację wodną podłączoną do wodociągu, jeśli woda nie była pobierana przez 5 dni.

- Surowe mięso i ryby należy przechowywać w odpowiednich pojemnikach w chłodziarce, tak aby nie stykały się z innymi produktami spożywczymi ani nie skapywały na nie ich soki.

- Dwugwiazdkowe komory do przechowywania mrozonek są odpowiednie do przechowywania wstępnie zamrożonej żywności, przechowywania lub przygotowywania lodów oraz wytwarzania kostek lodu.

- Komory jedno-, dwu- i trzygwiazdkowe nie są odpowiednie do zamrażania świeżej żywności.

- Jeżeli urządzenie chłodnicze pozostaje przez dłuższy czas puste, należy je wyłączyć, rozmrozić, wyczyścić, wysuszyć i pozostawić otwarte drzwi, aby zapobiec rozwojowi pleśni wewnątrz urządzenia.

Klasa klimatyczna

Informacje o klasie klimatycznej urządzenia znajdują się na tabliczce znamionowej. Wskazuje ona, w jakiej temperaturze otoczenia (czyli temperaturze pokojowej, w której pracuje urządzenie) praca urządzenia jest optymalna (właściwa).

Klasa klimatyczna	Dopuszczalna temperatura otoczenia
SN	od +10°C do +32°C
N	od +16°C do +32°C
ST	od +16°C do +38°C
T	od +16°C do +43°C

Uwaga: Biorąc pod uwagę wartości graniczne zakresu temperatury otoczenia dla klas klimatycznych, dla których zaprojektowane jest urządzenie chłodnicze oraz fakt, że na temperatury wewnętrzne mogą mieć wpływ takie czynniki, jak lokalizacja urządzenia chłodniczego, temperatura otoczenia i częstotliwość otwierania drzwi, może zaistnieć potrzeba zmiany ustawień dowolnego urządzenia sterującego temperaturą, aby uwzględnić te czynniki, jeśli jest to właściwe.

Jeśli kabel zasilający ulegnie uszkodzeniu, dla bezpieczeństwa należy zlecić jego wymianę producentowi, autoryzowanemu serwisowi lub osobom o podobnych kwalifikacjach.



Uwaga: Podczas pracy w środowisku innym niż określony typ klimatu (tj. poza znamionowym zakresem temperatury otoczenia), urządzenie może nie być w stanie utrzymać pożądaných temperatur w komorze.

Blokady

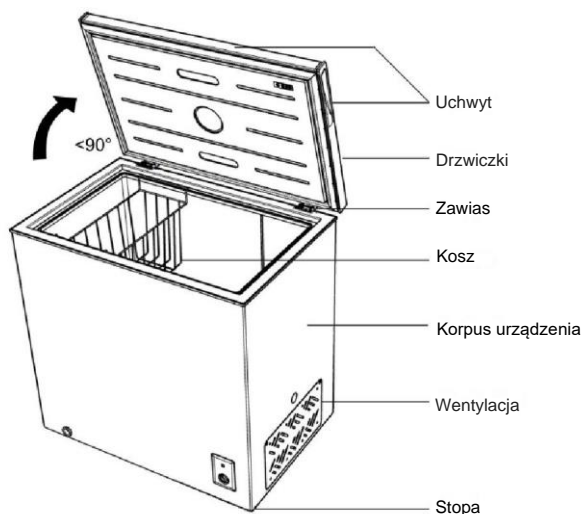
Jeżeli chłodziarka jest wyposażona w zamek, należy trzymać klucz poza zasięgiem dzieci i z dala od urządzenia, aby zapobiec uwięzieniu dzieci wewnątrz.

Pozbywając się starej chłodziarki, w ramach środków bezpieczeństwa należy usunąć wszystkie stare zamki lub zasuwki.

Bez freonu

W lodówce zastosowano czynnik chłodniczy bez freonu (R600a) oraz pniący się materiał izolacyjny (cyklopentan), który jest przyjazny dla środowiska, nie powodując uszkodzenia warstwy ozonowej i mając bardzo niewielki wpływ na globalne ocieplenie. R600a jest łatwopalny i zamknięty w układzie chłodniczym, bez wycieków podczas normalnego użytkowania. Jednak w przypadku wycieku czynnika chłodniczego z powodu uszkodzenia obwodu czynnika chłodniczego, należy trzymać urządzenie z dala od otwartego ognia i jak najszybciej otworzyć okna w celu wentylacji.

NAZWY CZĘŚCI



Ze względu na stale wprowadzane innowacje technologiczne opisy produktów zawarte w niniejszej instrukcji obsługi mogą nie do końca pokrywać się z faktycznym wyposażeniem zamrażarki. Szczegóły są zgodne z rzeczywistym produktem.

⚠️ OSTRZEŻENIE ⚠️: Nigdy nie dotykaj wnętrza komory zamrażarki ani mrożonej żywności w komorze mokrymi rękami, ponieważ może to spowodować odmrożenia.

INSTRUKCJE DOTYCZĄCE TRANSPORTU

Urządzenie należy transportować wyłącznie w pozycji pionowej. Opakowanie nie może ulec uszkodzeniu w trakcie transportu. Jeśli podczas transportu produkt musi zostać ustawiony poziomo, wolno go położyć wyłącznie na lewym boku (z perspektywy osoby patrzącej na przednią krawędź drzwi), a przed uruchomieniem należy odczekać co najmniej 4 godziny, żeby umożliwić stabilizację układu po przywróceniu pozycji pionowej.

1. Niezastosowanie się do powyższych instrukcji grozi uszkodzeniem urządzenia. Producent nie ponosi odpowiedzialności za skutki zignorowania tych instrukcji.

2. Urządzenie musi być zabezpieczone przed deszczem, wilgocią oraz innymi zjawiskami atmosferycznymi.

WAŻNE: Podczas czyszczenia/przenoszenia zamrażarki należy zachować ostrożność, tak aby nie dotknąć znajdujących się z tyłu metalowych przewodów sprężarki, ponieważ grozi to obrażeniami palców lub dłoni albo uszkodzeniem produktu.

WAŻNE: Urządzenie nie jest przystosowane do ustawiania jedno na drugim razem z innymi urządzeniami. Nie należy siadać ani stawać na urządzeniu, ponieważ nie jest ono zaprojektowane do takich zastosowań. Grozi to odniesieniem urazów lub uszkodzeniem urządzenia.

WAŻNE: Podczas podnoszenia/przenoszenia urządzenia należy uważać, żeby nie przygnieść kabla zasilającego, ponieważ grozi to jego przerwaniem lub uszkodzeniem."

Podczas ustawiania urządzenia należy uważać, aby nie uszkodzić podłogi, rur, okładzin ściennych itp. Nie przenosić urządzenia, ciągnąc za pokrywę lub uchwyt. Nie pozwalać dzieciom na bawienie się urządzeniem ani na manipulowanie przy jego przełącznikach. Nieprzestrzeżenie instrukcji będzie skutkowało zwolnieniem naszej firmy z jakiegokolwiek odpowiedzialności.

INSTRUKCJE DOTYCZĄCE INSTALACJI

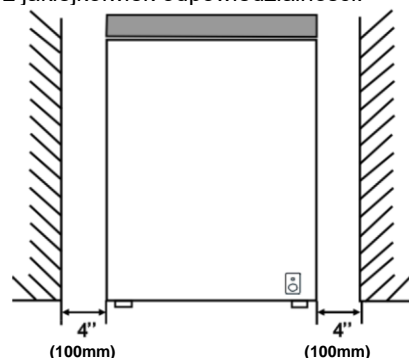
1. W miarę możliwości należy unikać ustawiania urządzenia w pobliżu piekarników, grzejników lub w miejscach bezpośrednio nasłonecznionych, ponieważ będzie to powodowało wydłużanie pracy sprężarki. W przypadku instalacji w pobliżu źródeł ciepła lub chłodziarek, należy zachować następujący minimalny odstęp boczny:

Od kucharek	4" (100 mm)
Od grzejników	12" (300 mm)
od chłodziarek	4" (100 mm)

2. Wokół urządzenia należy zostawić wystarczającą ilość wolnego miejsca, żeby umożliwić swobodny przepływ powietrza. Należy postarać się zostawić co najmniej 10 cm wolnej przestrzeni wokół zamrażarki oraz zapewnić odstępy pokazane na poniższym schemacie.

3. Urządzenie należy ustawić na płaskiej powierzchni.

4. Nie wolno użytkować lodówki na zewnątrz.



- Ochrona przed wilgocią. Nie ustawiać zamrażarki w wilgotnych miejscach, ponieważ grozi to rdzewieniem elementów metalowych. Nie spryskiwać zamrażarki wodą, ponieważ może to osłabić izolację i spowodować upływ prądu.
- Przygotowanie urządzenia do użytku opisano w części „Czyszczenie i pielęgnacja”.
- W przypadku instalacji zamrażarki w miejscu nieogrzewanym (takim jak np. garaż) w chłodne dni na zewnętrznych powierzchniach urządzenia może się skraplać woda. Jest to normalne zjawisko, które nie oznacza awarii. Należy zetrzeć taką wilgoć za pomocą suchej ściereczki.

URUCHAMIANIE

Kontrola końcowa

Przed rozpoczęciem użytkowania zamrażarki należy:

- Sprawdzić, czy wewnątrz jest suche, a z tyłu urządzenia możliwy jest swobodny obieg powietrza.
- Wyczyścić wewnątrz zgodnie z zaleceniami w części „CZYSZCZENIE I PIELEGNACJA”.
- Włożyć wtyczkę do gniazda ściennego i włączyć zasilanie. Zaświeci się czerwona kontrolka. W celu uniknięcia przypadkowego odłączenia można zakleić przełącznik. Zaświeci się zielona kontrolka, a sprężarka zacznie pracować.
- Uruchamiająca się sprężarka wydaje charakterystyczne dźwięki. Ciecze i gazy zamknięte w układzie chłodniczym mogą również powodować hałas, niezależnie od tego, czy sprężarka pracuje, czy nie, co jest całkiem normalne.
- Przed włożeniem do zamrażarki produktów już zamrożonych należy otworzyć pokrywę i sprawdzić, czy wewnątrz urządzenia osiągnęło właściwą temperaturę. Jeśli temperatura jest odpowiednia, można włożyć zamrożoną żywność do zamrażarki.
- Nie wkładać produktów do zamrażarki natychmiast po jej włączeniu. Należy poczekać, aż osiągnie odpowiednią temperaturę przechowywania. Zalecamy sprawdzanie temperatury przy użyciu precyzyjnego termometru.

Ważne informacje:

- W razie awarii zasilania nie należy otwierać pokrywy. Awarie trwające krócej niż 20 godzin nie powinny wpływać na zamrożoną żywność. W przypadku dłuższych awarii żywność należy sprawdzić i niezwłocznie spożyć lub ugotować i ponownie zamrozić.
- Utрудnione otwieranie pokrywy zamrażarki skrzyniowej zaraz po jej zamknięciu nie świadczy o awarii. Przyczyną jest różnica ciśnień, która po kilku minutach powinna się wyrównać, umożliwiając normalne otwarcie urządzenia.

OBSŁUGA ZAMRAŻARKI

Panel wyświetlacza jest przedstawiony na poniższych rysunkach:



Funkcje:

Gdy system jest włączany po raz pierwszy, wszystkie wskaźniki LED i wyświetlacz cyfrowy zaświecą się i powrócą do normalnego wyświetlania w ciągu 2 sekund. Gdy ekran wyświetlacza cyfrowego jest włączony, wyłączy się automatycznie, jeśli w ciągu 3 minut nie zostanie naciśnięty żaden klawisz, a wszystkie klawisze są zablokowane. Gdy ekran wyświetlacza jest wyłączony, można go wybudzić, naciskając dowolny klawisz po raz pierwszy, a następnie przytrzymać klawisz „-” przez 3 sekundy, aby odblokować klawisze.

★ Chłodziarka/Zamrażarka

1) Regulowane zakresy temperatur: 8°C~2°C w trybie lodówki i -12°C ~ -24°C w trybie zamrażarki, które można regulować w sposób kołowy, aby zrealizować funkcję chłodziarki/zamrażarki.

2) Po odblokowaniu przycisków wyświetlacz temperatury zaczyna migać przy pierwszym naciśnięciu przycisku „+” / „-”, przy czym wartości temperatury mogą w tym czasie ulec zmianie.

Podczas ustawiania temperatury: jeśli temperatura jest ustawiona na 2°C, po naciśnięciu przycisku „-” zostanie ustawiona na -12°C; jeśli temperatura jest ustawiona na -24°C, po naciśnięciu klawisza „-” zostanie ustawiona na 8°C; jeśli temperatura jest ustawiona na -12°C, po naciśnięciu przycisku „+” zostanie ustawiona na 2°C; a jeśli temperatura jest ustawiona na 8°C, po naciśnięciu przycisku „+” zostanie ustawiona na -24°C.

★ Ustawienia temperatury chłodziarki


Możesz dostosować wartość temperatury, naciskając przycisk „+” / „-”. Gdy klawisz „+” / „-” zostanie naciśnięty po raz pierwszy, wartość temperatury może ulec zmianie; a po ponownym naciśnięciu przycisku „+” / „-” ustawiona temperatura zostanie odpowiednio zwiększona/obniżona o 1°C. Gdy zakres temperatur jest ustawiony na 8°C~2°C, tryb lodówki jest włączony.

★ Ustawienia temperatury zamrażarki

Możesz dostosować wartość temperatury, naciskając przycisk „+” / „-”. Gdy klawisz „+” / „-” zostanie naciśnięty po raz pierwszy, wartość temperatury może ulec zmianie; a po ponownym naciśnięciu przycisku „+” / „-” ustawiona temperatura zostanie odpowiednio zwiększona/obniżona o 1°C. Gdy zakres temperatury jest ustawiony na -12°C~-24°C, tryb zamrażarki jest włączony.

★ Szybkie zamrażanie

Po włączeniu funkcji „Szybkie zamrażanie” temperatura zamrażarki jest automatycznie ustawiana na -32°C, a po 26 godzinach pracy funkcja szybkiego zamrażania zostanie wyłączona. Szybkie obniżenie temperatury zamrażarki korzystnie wpływa na zapobieganie utracie żywienia oraz zachowanie świeżości.

- 1)  Gdy funkcja „Szybkie zamrażanie” jest aktywna, wyświetlana jest temperatura „-32°C”, która nie podlega zmianom.
- 2) Wejście lub wyjście z funkcji szybkiego zamrażania
Gdy klawisze są odblokowane, możesz przytrzymać klawisz „+” przez 3s, aby wejść lub wyjść z funkcji „Szybkie zamrażanie”.

Uwaga: Jeśli temperatura zamrażarki jest ustawiona poniżej zera (tj. w trybie zamrażania) przed włączeniem funkcji szybkiego zamrażania, po wyjściu z funkcji „Szybkie zamrażanie” powróci do ustawionej temperatury; a jeśli temperatura zamrażarki jest ustawiona powyżej zera (tj. w trybie chłodziarki) przed włączeniem funkcji szybkiego zamrażania, domyślnie powróci ona do -18°C po wyjściu z funkcji „Szybkie zamrażanie”.

★ Blokada rodzicielska

- 1) Gdy funkcja „Blokada rodzicielska” jest włączona, nie można ustawić temperatury i funkcji, aby zapobiec nieprawidłowej obsłudze.
- 2) Wejście w funkcję „Blokada rodzicielska”:
Jeśli w ciągu 3 minut nie zostanie naciśnięty żaden klawisz, funkcja „Blokada rodzicielska” zamrażarki zostanie włączona automatycznie.
- 3) Wyjście z funkcji „Blokada rodzicielska”:
Możesz przytrzymać klawisz „-” przez 3s, aby wyjść z funkcji „Blokada rodzicielska”.

★ Pamięć po wyłączeniu zasilania

W przypadku awarii zasilania po przywróceniu zasilania zamrażarka powróci do trybu działania ustawionego przed awarią zasilania.

★ Ochrona przed opóźnieniem włączania

W celu ochrony kompresora lodówki przed uszkodzeniem w przypadku krótkotrwałej awarii zasilania (tj. poniżej 5 minut), kompresor nie zostanie uruchomiony natychmiast po włączeniu.

★ Sygnalizacja awarii

Jeśli na panelu operacyjnym wyświetla się E0, oznacza to usterkę zamrażarki. W takim przypadku prosimy o kontakt z obsługą posprzedażową.



Ze względu na indywidualne czynniki występujące w lodówce, rzeczywista temperatura może odbiegać od ustawionej, co jest zjawiskiem normalnym i nie wpływa na normalne użytkowanie produktu.

PRZECHOWYWANIE ZAMROŻONEJ ŻYWNOŚCI

Pakowane mrożonki należy przechowywać zgodnie z instrukcjami producenta żywności dotyczącymi przechowywania w komorze zamrażarki.

Żeby zachować wysoką jakość mrożonej żywności zapewnioną przez jej producenta oraz sprzedawcę, należy pamiętać o poniższych zasadach:

1. Mrożonka musi się znaleźć w zamrażarce w jak najkrótszym czasie od momentu zakupu.
2. Należy przestrzegać zamieszczanych na opakowaniu dat „należy spożyć przed” oraz „termin ważności”.

ZAMRAŻANIE ŚWIEŻEJ ŻYWNOŚCI

Świeża żywność należy wkładać przy ściankach zamrażarki, żeby przyspieszyć proces mrożenia, i w miarę możliwości z dala od produktów już zamrożonych.

Nie należy nigdy przekraczać maksymalnej wydajności urządzenia. Nie zamrażać równocześnie nadmiernych ilości produktów. Jakość żywności będzie najlepiej zachowana, jeśli produkt zostanie całkowicie zamrożony w jak najkrótszym czasie.

Należy unikać mieszania żywności świeżej i zamrożonej w zamrażarce.

ROZMRAŻANIE

Urządzenie należy rozmrażać dwa razy w roku lub kiedy warstwa szronu osiągnie grubość ok. 7 mm.

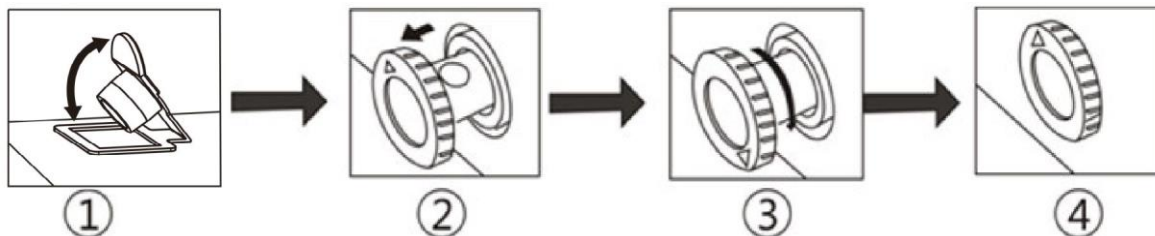
Można również wyłączyć zamrażarkę za pomocą wyłącznika gniazdka i wyjąć wtyczkę kabla zasilającego.

Wyciągnąć rurkę odpływową i podłożyć pojemnik na wodę.

Na 6 godzin przed rozmrażaniem należy ustawić pokrętko termostatu w położeniu „-24”, tak aby żywność w chwili wyjmowania była zmrożona do jak najniższej temperatury. Wszystkie produkty należy owinąć kilkoma warstwami gazet i odłożyć w chłodne miejsce (np. do lodówki lub szafki).

Wyjąć koszyk z zamrażarki. Zostawić pokrywę otwartą. Żeby przyspieszyć proces rozmrażania, do wnętrza zamrażarki można ostrożnie włożyć pojemniki z ciepłą wodą.

Nigdy nie używać do rozmrażania suszarek do włosów, grzejników elektrycznych ani podobnych urządzeń. Po skończeniu rozmrażania wylać wodę zbierającą się na dnie zamrażarki, postępując zgodnie z poniższym schematem. Włączyć funkcję Szybkiego zamrażania i zostawić włączoną na około trzy godziny.



1. W dolnej części wykładziny zamrażarki przewidziano otwór spustowy. Podczas rozmrażania należy zdjąć gumową osłonę, wtedy woda z rozmrażania wypływa i jest odprowadzana z rury spustowej.

2. Wyciągnąć rurkę odpływową na ok. 20–25 mm, tak aby ukazał się otwór odpływowy.

3. Obrócić rurkę strzałką do dołu.

4. Po skończeniu rozmrażania należy się upewnić, że z rurki nie wypływa już woda, a następnie obrócić rurkę strzałką do góry i zamknąć.

Ważne informacje:

- Nie usuwać szronu przy pomocy spiczastych lub ostrych przedmiotów takich jak noże lub widelce.
- Nigdy nie używać do rozmrażania suszarek do włosów, grzejników elektrycznych ani podobnych urządzeń.
- Przy deszczowej pogodzie na kołnierzu zamrażarki i uszczelkach drzwi pojawiają się krople wody lub szron, co nie ma wpływu na normalne użytkowanie. W takim przypadku należy na czas wyczyścić suchą szmatką!

CZYSZCZENIE I PIELEGNACJA

** Zalecamy wyłączenie zamrażarki przez użycie wyłącznika gniazdka i wyjęcie wtyczki kabla zasilającego.

** Nigdy nie stosować do czyszczenia żadnych ostrych ani szorstkich przedmiotów, mydła, domowych środków czyszczących, detergentów ani wosków.

** Przemyc komorę zamrażarki letnią wodą i wytrzeć do sucha.

** Zmoczyć ściereczkę w roztworze sody oczyszczonej przygotowanym w proporcjach jedna łyżeczka sody na ok. pół litra wody, wyżyć, następnie umyć wewnątrz urządzenia, a po skończeniu wytrzeć do sucha.

** Należy regularnie usuwać nadmiar lodu, używając dostępnych w sprzedaży plastikowych skrobaków do lodu.

Duże ilości lodu mogą utrudniać pracę zamrażarki.

** Jeśli zamrażarka nie będzie używana przez dłuższy czas, należy ją wyłączyć, opróżnić, wyczyścić i zostawić z pokrywą otwartą na oścież.

** Regularnie sprawdzać, czy na uszczelkach pokrywy nie zbiera się brud oraz drobiny żywności.

Ważne informacje:

Nigdy nie zmywać sprężarki wodą. Po czyszczeniu dokładnie przetrzeć suchą ściereczką, żeby zapobiec powstawaniu rdzy.

TAK I NIE

Tak - Dokładnie rozmrażać wyjętą z zamrażarki żywność w lodówce lub kuchence mikrofalowej, przestrzegając instrukcji dotyczących rozmrażania i przyrządzenia.

Tak - Sprawdzać po każdym otwarciu, czy pokrywa zamrażarki jest domknięta.

Tak - Dokładnie rozmrażać mrożone mięso przed przyrządzeniem.

Tak - Delikatnie zamknąć pokrywę.

Tak - Regularnie sprawdzać zawartość zamrażarki.

Tak - Regularnie czyścić i rozmrażać zamrażarkę (patrz „Rozmrażanie”).

Tak - Przechowywać żywność przez jak najkrótszy czas i przestrzegać dat „należy spożyć przed” oraz „termin ważności”.

Tak - Przechowywać zakupione mrożonki zgodnie z instrukcjami podanymi na opakowaniu.

Tak - Zawsze wybierać wysokiej jakości świeżą żywność i dokładnie ją czyścić przed zamrożeniem.

Tak - Przygotowywać świeżą żywność do zamrożenia w małych porcjach, żeby zagwarantować szybkie zamrożenie.

Tak - Owijać wszystkie produkty folią aluminiową lub wkładać w woreczki do zamrażania, pamiętając o usunięciu powietrza.

Tak - Zawinąć mrożonki po zakupie i włożyć je do zamrażarki tak szybko, jak to możliwe.

Tak - Przechowywać małe produkty w koszykach zamrażarki.

Tak - Wyjmować lody z zamrażarki na 10–20 minut przed podaniem.

Nie - Pozostawiać pokrywę otwartą przez dłuższy czas, ponieważ spowoduje to zwiększenie kosztów pracy zamrażarki i nadmierne tworzenie się lodu.

Nie - Usuwać lód przy pomocy spiczastych i ostrych przedmiotów takich jak noże lub widelce.

Nie - Wkładać do zamrażarki gorącą żywność. Żywność musi wcześniej wystygnąć.

Nie - Wkładać do zamrażarki butelki z płynami i zamknięte puszki z napojami gazowanymi, ponieważ mogą pęknąć.

Nie - Przechowywać w zamrażarce trujących ani niebezpiecznych substancji. Zamrażarka została zaprojektowana wyłącznie do przechowywania jadalnych artykułów spożywczych.

Nie - Spożywać lodów lub zamrożonej wody natychmiast po wyjęciu z zamrażarki. Niska temperatura może spowodować „oparzenia zimnem” na ustach.

Nie - Zamrażać napojów gazowanych.

Nie - Przechowywać mrożonej żywności po rozmrożeniu — należy ją spożyć w ciągu 24 godzin lub ugotować i ponownie zamrozić.

Nie - Wyjmować produktów z zamrażarki mokrymi dłońmi.

Nie - Zamykać pokrywę z nadmierną siłą. Może to spowodować uszkodzenie urządzenia.

• To urządzenie nie może być użytkowane przez osoby (w tym dzieci) o ograniczonej sprawności fizycznej, czuciowej lub umysłowej ani przez osoby bez odpowiedniego doświadczenia i wiedzy, chyba że będą one dozorowane lub zostaną odpowiednio poinstruowane.

• Należy pilnować dzieci, aby nie bawiły się urządzeniem.

• Nie przechowuj w urządzeniu substancji wybuchowych takich jak aerozole w puszcze z łatwopalnymi gazami nośnymi.

• Urządzenie jest przeznaczone do użytku domowego oraz do innych podobnych zastosowań, takich jak kuchnie dla personelu w sklepach, biurach i innych miejscach pracy; gospodarstwa; przez klientów w hotelach, motelach i innych miejscach mieszkalnych; pensjonatach; użytkowanie w środowisku cateringowym i przy innych zastosowaniach niehandlowych.

• Jeśli kabel zasilający ulegnie uszkodzeniu, dla bezpieczeństwa należy zlecić jego wymianę producentowi, autoryzowanemu serwisowi lub osobom o podobnych kwalifikacjach.

Wymiana lampy

Lampa LED służy do oświetlenia lodówki, która charakteryzuje się niskim zużyciem energii i długą żywotnością. W przypadku jakichkolwiek nieprawidłowości prosimy o kontakt z obsługą posprzedażową. Lampy mogą być wymienione tylko przez producenta.

Typ lampy: Światło LED.

Poziom efektywności energetycznej: F

INFORMACJE ELEKTRYCZNE

URZĄDZENIE MUSI ZOSTAĆ UZIEMIONE.

To urządzenie jest wyposażone w trzypinową wtyczkę z bezpiecznikiem zgodnie z BS 1363, która będzie odpowiednia do użytku we wszystkich domach wyposażonych w gniazdko zgodne z aktualnymi specyfikacjami.

Jeśli zamontowana wtyczka nie nadaje się do gniazdko, należy ją odciąć i ostrożnie zutylizować. Aby uniknąć potencjalnego niebezpieczeństwa porażenia prądem, nie należy wkładać wyrzuconej wtyczki do gniazdko.

To urządzenie jest zgodne z dyrektywami EEC:

Prawidłowa utylizacja produktu



Widoczny obok symbol oznacza, że na terenie UE nie wolno wyrzucać produktu razem z odpadami domowymi. Żeby zapobiec szkodliwemu oddziaływaniu na środowisko naturalne i zdrowie człowieka będącemu skutkiem niekontrolowanego usuwania odpadów, produkt należy poddać recyklingowi. Taka postawa promuje zrównoważone wykorzystanie zasobów. W celu utylizacji używanego urządzenia należy skorzystać z systemu zwrotu i zbiórki urządzeń lub skontaktować się ze sprzedawcą, u którego nabyto produkt. Sprzedawca może zadbać o bezpieczny dla środowiska recykling produktu.

Ostrzeżenia dotyczące utylizacji

※ Środki chłodnicze i cyklopentanowe materiały pniące użyte w lodówce są łatwopalne. Dlatego też, gdy lodówka jest złomowana, powinna być przechowywana z dala od wszelkich źródeł ognia i odzyskana przez specjalną firmę zajmującą się odzyskiem z odpowiednimi kwalifikacjami, innymi niż utylizacja przez spalanie, aby zapobiec szkodom dla środowiska lub innym szkodom.

※ Gdy lodówka jest złomowana, należy zdemontować drzwi, usunąć uszczelkę drzwi i półek; ustawić drzwiczki i półki w odpowiednim miejscu, aby żadne dziecko nie zostało przytrzaśnięte.

dostęp do informacji o profesjonalnych naprawach, takich jak strony internetowe, adresy, dane kontaktowe;

Lista miejsc obsługi posprzedażowej:

Adres	
Numer kontaktowy	
Strona internetowa	
Kod QR	

Uwaga: Adres lub numer telefonu kontaktowego serwisu mogą ulec zmianie bez wcześniejszego powiadomienia. W przypadku zapotrzebowania na usługi prosimy o potwierdzenie, czy dany punkt serwisowy jest bezpośrednio powiązany z naszą firmą.

istotne informacje dotyczące zamawiania części zamiennych bezpośrednio lub innymi kanałami dostarczonymi przez producenta, importera lub autoryzowanego przedstawiciela;

minimalny okres, w którym dostępne są części zamienne niezbędne do naprawy urządzenia;

instrukcja, jak znaleźć informacje o modelu w bazie danych produktów, zgodnie z definicją w Rozporządzeniu (UE) 2019/2019, za pomocą linku do informacji o modelu przechowywanych w bazie danych produktów lub linku do bazy danych produktów i informacji o jak znaleźć identyfikator modelu na produkcie.)

ARCA CONGELADORA
MANUAL DE INSTRUÇÕES

N.º DE MODELO:

CMCH 100 D

CMCH 150 D

CMCH 200 D

SEGURANÇA



AVISO!

É perigoso para qualquer pessoa que não seja pessoal de serviço autorizado executar assistência técnica ou reparações que envolvam a remoção de tampas. Para evitar o risco de choque elétrico não tente reparar este aparelho sozinho.

AVISO!

Risco de incêndio/material inflamável.



Dicas de segurança

Não use aparelhos elétricos, como um secador de cabelo ou aquecedor para descongelar o seu congelador.

Recipientes com gases ou líquidos inflamáveis podem verter a baixas temperaturas.

Não armazenar recipientes com materiais inflamáveis, tais como latas de spray, extintores de incêndio, cartuchos de recarga etc., no congelador.

Não colocar bebidas com gás no compartimento do congelador. Gelados de gelo podem provocar "Queimaduras de gelo/congelação". Se consumido diretamente no congelador.

Não remover itens do congelador se as mãos estiverem úmidas/molhadas, uma vez que isto pode causar abrasão na pele ou "Queimaduras por gelo/Congelação". As garrafas e latas não devem ser colocadas no compartimento do congelador, uma vez que podem rebentar quando o conteúdo congelar.

Os tempos recomendados de armazenamento do fabricante devem ser respeitados. Consulte as instruções relevantes.

Não permitir que as crianças mexam nos controlos ou brinquem com o congelador. O congelador é pesado. Deve ter-se cuidado quando o mover. É perigoso alterar a especificação ou tentar modificar este produto de qualquer forma.

Não armazene gases ou líquidos inflamáveis dentro do seu congelador.

Se o cabo de alimentação estiver danificado, tem de ser substituído pelo fabricante, pelo agente de serviço ou por pessoas igualmente qualificadas de forma a evitar o perigo.

Este aparelho pode ser utilizado por crianças de idade igual ou superior a 8 anos e por pessoas com capacidades físicas, sensoriais ou mentais reduzidas ou falta de experiência e conhecimento, caso lhes tenha sido fornecida supervisão ou instruções relativas à utilização do aparelho de forma segura e desde que compreendam os perigos envolvidos. As crianças não devem brincar com o aparelho. A limpeza e manutenção pelo utilizador não deve ser realizada por crianças sem supervisão.

Este frigorífico não se destina a ser utilizado como um aparelho de encastrar.

Este aparelho destina-se a ser utilizado em meio doméstico e aplicações semelhantes tais como

- áreas de cozinha para o pessoal em lojas, escritórios e outros ambientes de trabalho;
- quintas e por clientes em hotéis, motéis e outros ambientes de tipo residencial;
- ambientes de tipo alojamento e pequeno-almoço;
- aplicações de catering e idênticas não comerciais.

Mantenha as aberturas de ventilação, no revestimento do aparelho ou na estrutura integrada, livres de obstruções.

Não utilize dispositivos mecânicos ou outros meios para acelerar o processo de descongelação, que não os recomendados pelo fabricante.

Não danifique o circuito refrigerante.

Não use aparelhos elétricos no interior dos compartimentos para alimentos do aparelho, a não ser que sejam do tipo recomendado pelo fabricante.

Não guarde substâncias explosivas como, por exemplo, latas de aerossóis, com um carburante inflamável, no interior deste aparelho.

Este aparelho não está concebido para ser utilizado por pessoas (incluindo crianças) com capacidades físicas, sensoriais ou mentais reduzidas, ou falta de experiência e conhecimento, salvo se providas de supervisão e instrução referente à utilização do aparelho por uma pessoa responsável pela sua segurança. As crianças devem ser supervisionadas para garantir que não brincam com o aparelho.

- **AVISO:** Mantenha as aberturas de ventilação, no revestimento do aparelho ou na estrutura integrada, livres de obstruções.

- **AVISO:** Não utilize dispositivos mecânicos ou outros meios para acelerar o processo de descongelação, que não os recomendados pelo fabricante.

- **AVISO:** Não danifique o circuito refrigerante.

- **AVISO:** Não use aparelhos elétricos no interior dos compartimentos para alimentos do aparelho, a não ser que sejam do tipo recomendado pelo fabricante.

- **AVISO:** Os aparelhos de refrigeração - em particular um frigorífico-congelador Tipo I - podem não operar de forma consistente (o conteúdo pode descongelar ou a temperatura pode ficar demasiado quente no compartimento de congelados) se for colocado, durante um período prolongado, abaixo do limite de frio da gama de temperaturas para a qual o frigorífico foi desenhado;

- **AVISO:** É necessário que, no caso de portas ou tampas com fechaduras e chaves, as chaves sejam guardadas fora do alcance das crianças e não perto do frigorífico, para evitar que as crianças fiquem presas dentro do mesmo.

- **AVISO:** O refrigerante utilizado no seu aparelho e materiais de isolamento requer procedimentos especiais de eliminação.

- **AVISO:** Ao posicionar o aparelho, certifique-se de que o cabo de alimentação não se encontra preso nem danificado.

- **AVISO:** Não coloque tomadas triplas múltiplas portáteis ou fontes de alimentação portáteis na parte traseira do aparelho. Crianças com idades entre 3 a 8 anos têm permissão para carregar e descarregar aparelhos de refrigeração. Para evitar a contaminação de alimentos considere as seguintes instruções:

- Abrir a porta durante longos períodos provoca um aumento de temperatura significativo nos componentes do aparelho.

- Limpar regularmente as superfícies que entram em contacto com alimentos e sistemas de drenagem acessíveis.

- Limpar os depósitos de água se não tiverem sido usados durante 48 h; enxague o sistema de água conectado a uma alimentação de água se a água não tiver sido extraída durante 5 dias.

- Guarde a carne e o peixe crus em recipientes adequados no frigorífico, de forma a não estarem em contacto nem gotejarem para outros alimentos.

- Os compartimentos de comida congelada de duas estrelas são adequados para se guardar alimentos pré-congelados, guardar ou fazer gelado e fazer cubos de gelo.

- Os compartimentos de uma, duas ou três estrelas não são adequados para congelar alimentos frescos.

- Se o frigorífico for deixado vazio durante períodos longos, desligue, descongele, limpe, seque e deixe a porta aberta para evitar que se forme bolor dentro do aparelho.

Intervalo Climático

A informação sobre o intervalo climático do aparelho é fornecida na placa de classificação. Indica a qual a temperatura ambiente (ou seja, a temperatura ambiente, na qual o aparelho está a funcionar) o funcionamento do aparelho é ideal (adequado).

Intervalo Climático	Temperatura ambiente admissível
SN	de +10°C a +32°C
N	de +16°C a +32°C
ST	de +16°C a +38°C
T	de +16°C a +43°C

Nota: Tendo em conta os valores-limite do intervalo de temperatura ambiente para as classes climáticas para as quais o aparelho de refrigeração foi concebido e o facto de as temperaturas internas poderem ser afetadas por fatores como a localização do aparelho de refrigeração, a temperatura ambiente e a frequência de abertura das portas, o ajuste de qualquer dispositivo de controlo de temperatura pode ter de ser variado para permitir esses fatores, se for caso disso.

Se o cabo de alimentação estiver danificado, tem de ser substituído pelo fabricante, pelo agente de serviço ou por pessoas igualmente qualificadas de forma a evitar o perigo.



Nota: Ao funcionar num ambiente que não seja o tipo de clima especificado (i.e., para além do intervalo de temperatura ambiente nominal), o aparelho pode não ser capaz de manter as temperaturas do compartimento desejáveis.

Fechos

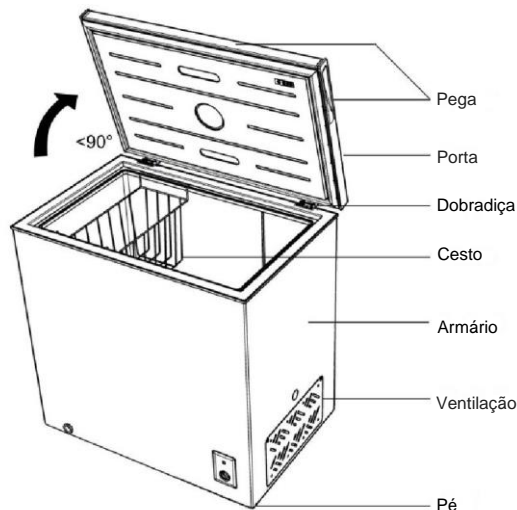
Se o seu frigorífico estiver equipado com um fecho, mantenha a chave fora do alcance e longe do aparelho para impedir que crianças fiquem presas no interior.

Caso esteja a eliminar um frigorífico antigo, certifique-se de que parte quaisquer fechos ou trincos que possam existir como salvaguarda.

Isento de fréon

O refrigerante isento de fréon (R600a) e o material de isolamento de espuma (cicloopentano) que é ambientalmente amigável são usados para o frigorífico, não causando danos à camada de ozono e tendo um impacto muito pequeno no aquecimento global. R600a é inflamável e selado num sistema de refrigeração, sem fugas durante a utilização normal. Mas, em caso de fuga de refrigerante devido ao circuito refrigerante ficar danificado, certifique-se de manter o aparelho afastado das chamas abertas e abra as janelas para ventilar o mais rapidamente possível.

NOMES DAS PARTES



Devido a inovações tecnológicas, as descrições do produto neste manual podem não ser totalmente consistentes com o seu congelador. Os detalhes estão de acordo com o produto real.

AVISO: Nunca toque no interior da Câmara do Congelador ou em alimentos congelados no compartimento com as mãos molhadas, pois isso pode resultar em queimadura por gelo.

INSTRUÇÕES DE TRANSPORTE

O aparelho deve ser transportado apenas numa posição vertical. A embalagem, como fornecida, deve estar intacta durante o transporte.

Se, durante o transporte do produto, este foi transportado horizontalmente, só deve ser deitado sobre o seu lado esquerdo (quando voltado para a porta dianteira) e não deve ser posto a funcionar durante, pelo menos, 4 horas para permitir que o sistema assente depois do aparelho ser reposto em posição vertical.

1. A falha no cumprimento com as instruções acima pode resultar na ocorrência de danos no aparelho. O fabricante não será considerado responsável caso estas instruções não sejam respeitadas.
2. O aparelho deve ser protegido da chuva, humidade e outras influências atmosféricas.

IMPORTANTE: Deve ter cuidado ao limpar/transportar o aparelho para evitar tocar nos fios metálicos do condensador na parte traseira do aparelho, já que poderá sofrer lesões nos seus dedos e mãos ou danificar o seu produto.

IMPORTANTE: Este aparelho não está concebido para ser empilhado com qualquer outro aparelho. Não tente sentar-se ou permanecer em pé no topo do seu aparelho, pois este não está concebido para tal utilização. Você pode magoar-se ou danificar o aparelho.

IMPORTANTE: Certifique-se que o cabo de alimentação não fica retido sob o aparelho durante ou após o transporte/movimentação do mesmo, para evitar que o cabo de alimentação seja cortado ou danificado."

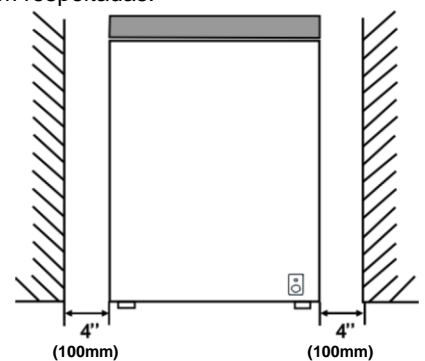
Ao posicionar o seu aparelho, tenha cuidado para não danificar o seu pavimento, canos, revestimentos de parede, etc. Não mova o aparelho puxando pela tampa ou pela pega. Não permita que crianças brinquem com o aparelho ou mexam nos comandos. A nossa empresa declina aceitar qualquer responsabilidade caso as instruções não sejam respeitadas.

INSTRUÇÕES DE INSTALAÇÃO

1. Se possível evite colocar o aparelho próximo de fogões, radiadores ou sob luz solar direta, já que isso irá causar que o compressor funcione durante longos períodos. Caso seja instalado próximo de uma fonte de calor ou frigorífico, mantenha as dimensões de folgas laterais mínimas:

De Fogões	4" (100 mm)
De Radiadores	12" (300 mm)
De Frigoríficos	4" (100 mm)

2. Certifique-se que existe espaço suficiente em redor do aparelho para assegurar a livre circulação de ar. Idealmente, um espaço não inferior a 10cm deve ser deixado em redor do congelador e certifique-se que garante as folgas ilustradas no diagrama abaixo.
3. O aparelho deve ser assente sobre uma superfície lisa.
4. É proibido usar o frigorífico no exterior.



5. Proteção contra humidade. Não coloque o congelador num local húmido para evitar que as peças metálicas se enferrujem. E não pulverize água no congelador, de outra forma isso irá enfraquecer o isolamento e causar fugas de corrente.
6. Consulte a seção sobre "Limpeza e Cuidados" para preparar o seu aparelho para o uso.
7. Caso o congelador seja instalado em zonas não aquecidas, garagens, etc., em tempo frio pode formar-se condensação nas superfícies exteriores. Isso é normal e não é um defeito. Remova a condensação limpando com um pano seco.

INÍCIO

Verificação Final

Antes de começar a utilizar o congelador, por favor verifique se:

1. O interior está seco e o ar pode circular livremente na traseira.
2. Limpe o interior conforme recomendado em "LIMPEZA E CUIDADO".
3. Insira a ficha numa tomada de parede e ligue a alimentação, então deverá ligar-se a luz Vermelha. Evite a desconexão acidental aplicando fita sobre o interruptor. A luz Verde irá ligar-se e o compressor começará a funcionar.
4. Irá ouvir um ruído quando o compressor começar a funcionar. O líquido e os gases selados dentro do sistema de refrigeração também podem dar origem a ruídos, quer o compressor esteja ou não a funcionar o que é normal.
5. Caso armazene alimentos já congelados, abra a tampa do congelador e verifique se este alcançou a temperatura correta. Depois pode colocar os seus alimentos congelados.
6. Não carregue o aparelho imediatamente depois de o ter ligado. Aguarde até que a temperatura de armazenamento correta seja alcançada. Recomendamos que verifique a temperatura com um termómetro preciso.

Observações importantes:

- Caso ocorra uma falha de energia não abra a tampa. A comida congelada não deverá ser afetada se a falha durar menos de 20 horas. Caso a falha seja mais prolongada, então a comida deve ser verificada e comida de imediato, ou cozinhada e depois novamente congelada.
- Caso a tampa da arca congeladora seja difícil de abrir imediatamente depois de a ter fechado, não se preocupe. Isto deve-se à diferença de pressão que irá equilibrar-se e permitir que a tampa seja aberta normalmente após alguns minutos.

FUNCIONAMENTO DO CONGELADOR

O painel de visualização é ilustrado como as figuras abaixo:



Funções:

Quando o sistema é ligado pela primeira vez, todos os indicadores de LED e o visor digital se acendem e regressam ao visor normal em 2s. Quando o ecrã digital está aceso, desliga-se automaticamente se não ocorrer nenhuma operação da chave dentro de 3 minutos, com todas as teclas bloqueadas. Quando o ecrã está desligado, pode acordá-lo premindo qualquer tecla pela primeira vez e, em seguida, mantenha a tecla "-" premida durante 3 segundos para desbloquear as teclas.

★ Frigorífico/Congelador

1) Intervalos de temperatura ajustável: 8°C ~2°C no modo frigorífico e -12°C ~ -24°C no modo congelador, que pode ser ajustado de forma circular para realizar a função frigorífico/congelador.

2) Após o desbloqueio, o visor de temperatura começa a piscar quando se prime a tecla "+" / "-" pela primeira vez, podendo alterar-se os valores de temperatura neste momento.

Ao regular a temperatura: se a temperatura estiver regulada para 2°C, esta será ajustada para -12°C depois de premir a tecla "-"; se a temperatura estiver regulada para -24°C, será ajustada para 8°C depois de se premir a tecla "-"; se a temperatura estiver regulada para -12°C, será ajustada para 2°C depois de premir a tecla "+"; e se a temperatura estiver regulada para 8°C, será ajustada para -24°C depois de se premir a tecla "+".

★ Regulação da temperatura do frigorífico


Pode ajustar o valor de temperatura premindo a tecla "+" / "-". Quando a tecla "+" / "-" é premida pela primeira vez, o valor de temperatura está sujeito a mudanças; e quando a tecla "+" / "-" for novamente premida, a temperatura definida é aumentada/diminuída em 1°C respetivamente. Quando a temperatura é ajustada para 8 °C ~2°C, o modo de frigorífico é ativado.

★ Regulação da temperatura do congelador

Pode ajustar o valor de temperatura premindo a tecla "+" / "-". Quando a tecla "+" / "-" é premida pela primeira vez, o valor de temperatura está sujeito a mudanças; e quando a tecla "+" / "-" foi novamente premida, a temperatura definida é aumentada/diminuída em 1°C respetivamente. Quando o intervalo de temperatura está ajustada para -12°C ~-24°C, o modo de congelador é ativado.

★ Congelamento Rápido

Quando a função "Congelamento Rápido" é ativada, a temperatura do congelador é regulada automaticamente para a -32°C, e depois de estar ativada durante 26 horas, a função Congelamento Rápido desativa-se. Refrigerar a temperatura do congelador de forma rápida é benéfico para a prevenção do valor nutritivo dos alimentos contra a perda e a preservação da frescura.

- 1)  Quando a função "Congelamento Rápido" está ativa, a temperatura exibida é "- 32°C", que não está sujeita a alterações.
- 2) Para entrar ou sair da função de congelamento rápido
Quando as chaves estão desbloqueadas, pode manter premida a tecla "+" durante 3 s para entrar ou sair da função "Congelamento Rápido".

Nota: Se a temperatura do congelador for definida abaixo de zero (i.e., no modo congelador) antes da função de congelamento rápido ser ativada, irá restaurar para a temperatura definida após a saída da função "Congelamento Rápido"; e se a temperatura do congelador for definida acima de zero (i.e., no modo frigorífico) antes da função de congelamento rápido ser ativada, regressa a -18 C por defeito depois de sair da função "Congelamento Rápido".

★ Trinco para crianças

- 1) Quando a função "Trinco para crianças" está ativada, a temperatura e a função não podem ser ajustadas, a fim de evitar uma operação incorreta.
- 2) Para entrar na função "Trinco para crianças":
Se não for ativada nenhuma tecla dentro de 3 minutos, a função "Trinco para crianças" do congelador será ativada automaticamente.
- 3) Para sair da função "Trinco para crianças":
Pode manter premida a tecla "-" durante 3 s para sair da função "Trinco para crianças".

★ Memória de corte de energia

Em caso de falha de energia, o congelador manterá o estado de funcionamento antes da falha de energia quando a fonte de alimentação é repostada.

★ Proteção contra falha de alimentação

Para proteger o compressor do frigorífico de danos em caso de falha de energia de curto prazo (ou seja, menos de 5 minutos), o compressor não será iniciado imediatamente após ser ligado.

★ Alarme de avaria

No caso de E0 ser exibido no painel de operação, indica falha no congelador. Entre em contato com a pessoa pós-venda para visitar o serviço nesse caso.



Devido a fatores individuais do frigorífico, a temperatura real na caixa pode ter um certo erro da temperatura definida, o que é um fenómeno normal e não afeta o uso normal do produto.

ARMAZENAMENTO DE ALIMENTOS CONGELADOS

Os congelados pré-embalados devem ser armazenados de acordo com as instruções do respetivo fabricante para um compartimento de congelador.

Para se certificar que a elevada qualidade obtida pelo fabricante dos alimentos e o retalhista de alimentos seja mantida, deve lembrar-se do seguinte:

1. Coloque as embalagens no congelador o mais rapidamente possível depois da compra.
2. Não ultrapasse as datas de "Usar Até", "Melhor Antes" na embalagem.

CONGELAMENTO DE ALIMENTOS FRESCOS

Coloque os alimentos frescos a serem congelados perto das paredes laterais para assegurar um congelamento rápido e mantenha-as afastadas da comida congelada, se possível.

Nunca exceda esta capacidade máxima. Não congele quantidades demasiado grandes a qualquer momento.

A qualidade da comida é preservada da melhor forma quando esta é congelada até ao centro o mais rapidamente possível.

Tenha especial cuidado para não misturar comida já congelada com comida fresca.

DESCONGELAMENTO

Descongele duas vezes por ano ou quando se tiver formado uma camada de gelo de cerca de 7 mm (1/4").

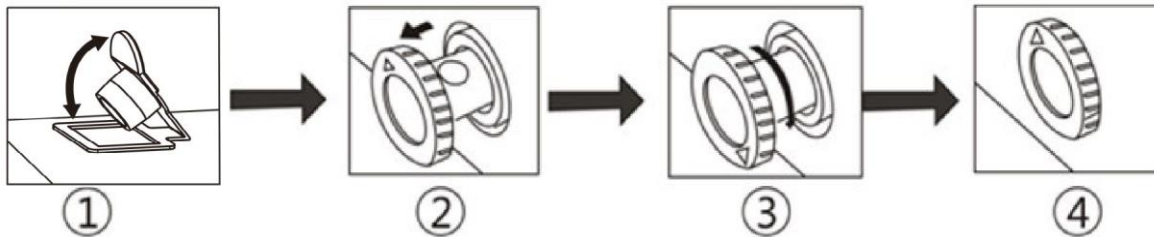
Como alternativa, pode desligar o congelador e retirar a ficha elétrica da tomada.

Remova a conduta de água e coloque um recipiente para água.

6 horas antes de descongelar, configure o botão do termostato para a posição "-24" para se certificar que a comida está à temperatura mais baixa possível quando os retirar. Todos os alimentos devem ser embrulhados em várias camadas de papel de jornal e armazenados num local fresco (ex. frigorífico ou despensa).

Retire o cesto congelador. Deixe a tampa aberta. Podem ser colocados recipientes com água morna cuidadosamente no congelador para acelerar o descongelamento.

Nunca use secadores de cabelo, aquecedores elétricos ou outros aparelhos similares para a descongelação. Quando o descongelamento tiver terminado retire a água que se acumula no fundo do congelador como ilustrado no diagrama abaixo e seque o interior cuidadosamente. Ligue o Congelamento Rápido e deixe-o ligado durante três horas.



1. Uma saída de drenagem está incorporada no fundo do forro do congelador, e quando descongelar, remova a tampa de borracha, em seguida, a água de descongelação sai e é descarregada do tubo de drenagem.

2. Remova a conduta de água 20-25mm até que o orifício para água esteja visível.

3. Rode a conduta de água até a seta apontar para baixo.

4. Depois do descongelamento estar feito, certifique-se de que não há mais água a sair da conduta de água instalada no seu lugar e rode a seta para cima.

Observações importantes:

- Não use objetos pontiagudos ou afiados tais como facas ou garfos para remover o gelo.
- Nunca use secadores de cabelo, aquecedores elétricos ou outros aparelhos similares para a descongelação.
- É normal que contas de água ou geadas apareçam no vedante do congelador e que as juntas da porta em tempo molhado, o que não afetará o uso normal. Nesse caso, por favor, limpe com um pano seco a tempo!

LIMPEZA E CUIDADOS

** Recomendamos que desligue a arca congeladora na tomada e remova a ficha antes de limpar.

** Nunca use qualquer instrumento abrasivo, sabão, produto de limpeza doméstico, detergente e cera de polir para a limpeza.

** Use água morna para limpar o bastidor da arca congeladora e seque-o.

** Use um pano húmido torcido numa solução de uma colher de chá de bicarbonato de sódio para um litro de água para limpar o interior e seque bem.

** A deposição excessiva de água deve ser removida regularmente usando um raspador de gelo em plástico disponível nas suas lojas locais.

Uma grande acumulação de gelo irá prejudicar o desempenho do congelador.

** Caso o congelador não seja utilizado por um longo período de tempo, desligue-o, remova toda a comida, limpe-o e deixe a tampa entreaberta.

** Verifique os vedantes da tampa regularmente para se certificar que estão limpos e livres de partículas de comida.

Observações importantes:

Nunca use água para lavar a área do compressor, limpe-a com um pano seco cuidadosamente depois de limpar para evitar a ferrugem.

O QUE DEVE FAZER E O QUE NÃO DEVE FAZER

Deve fazer - Descongelar comida do congelador completamente num frigorífico ou num forno micro-ondas seguindo as instruções de descongelamento e cozedura.

Deve fazer - Certificar-se de que a tampa da arca congeladora está completamente fechada após cada utilização.

Deve fazer - Descongelar a carne congelada completamente antes de cozinhar.

Deve fazer - Fechar a tampa com cuidado.

Deve fazer - Verificar o conteúdo da arca congeladora a intervalos regulares.

Deve fazer - Limpar e descongelar o seu congelador regularmente (Ver "Descongelamento")

Deve fazer - Manter a comida o mínimo de tempo possível e respeitar as datas de "Consumir de preferência antes de", "Expira a".

Deve fazer - Armazenar os congelados de acordo com as instruções fornecidas nas respetivas embalagens.

Deve fazer - Selecionar sempre alimentos frescos de alta qualidade e certificar-se de que estão bem limpos antes de os congelar.

Deve fazer - Preparar alimentos frescos para congelamento em pequenas porções para assegurar um congelamento rápido.

Deve fazer - Embrulhar todos os alimentos em papel de alumínio ou sacos plásticos próprios para congelador e certificar de remover todo o ar.

Deve fazer - Embrulhar a comida congelada quando a compra e colocá-la no congelador o mais rapidamente possível.

Deve fazer - Armazenar itens pequenos no cesto fornecido.

Deve fazer - Remover o gelado da arca congeladora 10-20 minutos antes de servir.

Não deve fazer - Deixar a tampa do congelador aberta durante longos períodos, porque consome mais energia e provoca a formação excessiva de gelo.

Não deve fazer - Usar objetos pontiagudos ou afiados tais como facas ou garfos para remover o gelo.

Não deve fazer - Colocar comida quente no congelador. Deixe-a arrefecer primeiro.

Não deve fazer - Colocar garrafas cheias de líquido ou latas seladas contendo bebidas com gás no congelador já que estas podem rebentar.

Não deve fazer - Armazenar substâncias venenosas ou perigosas no congelador. O seu congelador foi concebido apenas para armazenar géneros alimentares.

Não deve fazer - Consumir gelados e sorvetes diretamente do congelador. A baixa temperatura pode provocar “queimaduras por gelo” nos lábios.

Não deve fazer - Congelar bebidas com gás.

Não deve fazer - Tentar manter a comida congelada que tenha descongelado, esta deve ser consumida no prazo de 24 horas ou cozinhada e congelada novamente.

Não deve fazer - Remover os itens do congelador com mãos molhadas.

Não deve fazer - Fechar a tampa com força. Irá danificar o aparelho.

• Este aparelho não está concebido para ser utilizado por pessoas (incluindo crianças) com capacidades físicas, sensoriais ou mentais reduzidas, ou falta de experiência e conhecimento, salvo se providas de supervisão e instrução referente à utilização do aparelho por uma pessoa responsável pela sua segurança.

• As crianças devem ser supervisionadas para garantir que não brincam com o aparelho.

• Não guarde substâncias explosivas como, por exemplo, latas de aerossóis, com um carburante inflamável, no interior deste aparelho.

• Este aparelho destina-se a ser usado em aplicações domésticas e similares, tais como áreas de cozinha do pessoal em lojas, escritórios e outros ambientes de trabalho e por clientes em hotéis, motéis e outros ambientes de tipo residencial; alojamentos B&B, catering e aplicações similares de não-retalhistas.

• Se o cabo de alimentação estiver danificado, tem de ser substituído pelo fabricante, pelo agente de serviço ou por pessoas igualmente qualificadas de forma a evitar um perigo.

Substituir a lâmpada

A lâmpada LED é usada pelo frigorífico para iluminação, que apresenta baixo consumo de energia e longa vida útil. Em caso de anomalia, entre em contato com o pessoal pós-venda para visitar o serviço. As lâmpadas só podem ser substituídas pelo fabricante.

Tipo de lâmpada: Luz LED.

Nível de eficiência energética: F


INFORMAÇÃO ELÉTRICA

ESTE APARELHO DEVE SER LIGADO À TERRA.

Este aparelho está equipado com uma ficha de três pinos ao BS 1363, que será adequado para uso em todas as casas equipadas com tomadas para especificações atuais.

Se a ficha instalada não for adequada para as suas tomadas, esta deve ser cortada e eliminada com cuidado. Para evitar um possível risco de choque, não insira a ficha eliminada numa tomada.

Este aparelho cumpre as diretivas da CEE:

Eliminação Correto deste produto	
	Esta marcação indica que este produto não deve ser eliminado com outros resíduos domésticos em toda a UE. Para evitar possíveis danos ao meio ambiente ou à saúde humana devido a eliminação descontrolada de resíduos, reciclar de forma responsável para promover a reutilização sustentável dos recursos materiais. Para devolver o dispositivo utilizado, utilize os sistemas de devolução e recolha ou contacte o revendedor onde o produto foi comprado. Este pode levar este produto para reciclagem ambientalmente segura.

Avisos para eliminação

※ Os materiais de espuma de refrigeração e ciclopentano utilizados no frigorífico são inflamáveis. Por conseguinte, quando o frigorífico é eliminado, deve ser mantido afastado de qualquer fonte de incêndio e ser reciclado por uma empresa de recuperação especial, com uma qualificação correspondente, em vez de ser eliminado por combustão, de modo a evitar danos ao ambiente ou a outros danos.

※ Quando o frigorífico for eliminado, desmonte as portas e retire a vedação da porta e as prateleiras; ponha as portas e as prateleiras num lugar adequado, de modo a evitar que uma criança fique presa no seu interior.

acesso a reparação profissional, tais como páginas web da internet, endereços, detalhes de contato;

Lista das estações de serviço pós-venda:

Morada	
Número de contato	
Website	
Código QR	

Nota: O endereço ou o número de telefone do site de assistência está sujeito a alterações sem aviso prévio. Por favor, confirme se a estação de serviço é uma das nossas afiliadas quando solicitar os serviços.

informações pertinentes para encomendar peças sobresselentes, diretamente ou através de outros canais fornecidos pelo fabricante, importador ou representante autorizado;

o período mínimo durante o qual estão disponíveis peças sobresselentes necessárias para a reparação do aparelho;

instruções sobre como encontrar o modelo de informação na base de dados de produtos, tal como definido no Regulamento (UE) 2019/2019 por meio de um weblink que vincula a informação do modelo como armazenada na base de dados do produto ou um link para a base de dados do produto e informações sobre como encontrar o modelo identificador no produto.)

LADĂ FRIGORIFICĂ
MANUAL DE UTILIZARE

NUMĂRUL MODELULUI:

CMCH 100 D

CMCH 150 D

CMCH 200 D

SIGURANȚĂ



AVERTIZARE!

Efectuarea unor lucrări de service sau reparații care implică îndepărtarea capacelor, reprezintă un pericol pentru orice persoană în afară de personalul autorizat de service. Pentru a evita riscul de electrocutare, nu încercați să reparați acest aparat pe cont propriu.

AVERTIZARE!

Risc de incendiu/material inflamabil.



Sfaturi de siguranță

Nu folosiți aparate electrice, cum ar fi un uscător de păr sau un dispozitiv de încălzire pentru a dezgheța congelatorul.

Recipientele cu gaze sau lichide inflamabile pot prezenta scurgeri la temperaturi scăzute.

Nu depozitați recipiente cu materiale inflamabile, cum ar fi tuburi de spray-uri, cartușe de reumplere pentru stingătoare, etc., în congelator.

Nu puneți băuturi carbogazoase sau gazoase în compartimentul congelator. Acadelele de gheață pot provoca „arsuri cauzate de îngheț”. Dacă se consumă direct din congelator.

Nu scoateți articolele din compartimentul congelator dacă aveți mâinile ude/umede deoarece acest lucru ar putea cauza abraziuni ale pielii sau „arsuri cauzate de îngheț”. Sticlele și conservele nu trebuie așezate în compartimentul congelator deoarece se pot sparge atunci când conținutul lor îngheață.

Duratele de depozitare recomandate de producător trebuie respectate. Consultați instrucțiunile relevante.

Nu permiteți copiilor să modifice comenzile sau să se joace cu congelatorul. Congelatorul este greu. Aveți grijă atunci când îl mutați. Este periculos să modificați specificațiile sau să încercați să modificați acest produs în orice mod.

Nu depozitați gaze sau lichide inflamabile în interiorul congelatorului.

În cazul în care cablul de alimentare este deteriorat, acesta trebuie înlocuit de către producător, agentul de service sau de persoane calificate similare pentru a evita orice pericol.

Tăcut acest aparat poate fi utilizat de către copiii cu vârste de minim 8 ani și de către persoanele cu abilități fizice, senzoriale sau mentale reduse sau cu lipsă de experiență sau cunoștințe, cu condiția să fie supravegheate sau instruite corespunzător privind modul de utilizare a acestui aparat în siguranță și să înțeleagă pericolele implicate. Nu lăsați copiii să se joace cu aparatul.

Curățarea și întreținerea de către utilizator nu vor fi efectuate de copii fără supraveghere.

Acest aparat frigorific nu este destinat utilizării ca aparat încorporabil.

Acest aparat este destinat utilizării în rezidențe și aplicații similare, cum ar fi

- în zona de bucătărie pentru personalul din magazine, în birouri sau alte medii de lucru;
- ferme și clienții din hoteluri, moteluri și alte tipuri de medii rezidențiale;
- mediile pensiunilor;
- aplicații de catering și alte aplicații non-retail similare.

Mențineți fantele de aerisire din carcasa aparatului sau încorporate în structură fără impedimente.

Nu utilizați dispozitive mecanice sau alte mijloace de a accelera procesul de decongelare, în afara celor recomandate de producător.

Nu deteriorați circuitul frigorific.

Nu utilizați aparate electrice în interiorul compartimentelor de depozitare a alimentelor ale aparatului decât dacă acestea sunt de tipul recomandat de către producător.

Nu depozitați substanțe explozive, cum ar fi canistreele de aerosoli cu gaz inflamabil în interiorul acestui aparat.

Aparatul nu este destinat utilizării de către persoane (inclusiv copii) cu abilități fizice, senzoriale sau mentale reduse sau lipsite de experiență și cunoștințe, cu excepția cazului în care sunt supravegheate, sau au fost instruite cu privire la utilizarea în siguranță a aparatului, de către o persoană responsabilă cu siguranța lor. Copiii trebuie supravegheați pentru a vă asigura că nu se joacă cu aparatul.

- **AVERTISMENT:** Mențineți fantele de aerisire ale carcasei aparatului sau încorporate în structură libere de obstrucțiuni.

- **AVERTISMENT:** Nu utilizați dispozitive mecanice sau alte mijloace de a accelera procesul de decongelare, în afara celor recomandate de producător.

- **AVERTISMENT:** Nu deteriorați circuitul frigorific.

- **AVERTISMENT:** Nu utilizați aparate electrice în interiorul compartimentelor de depozitare a alimentelor ale aparatului decât dacă acestea sunt de tipul recomandat de către producător.

- **AVERTISMENT:** Aparatele frigorifice, mai ales o combină frigorifică de tip I, ar putea să nu funcționeze constant (posibilitatea dezghețării conținutului sau a creșterii excesive a temperaturii în compartimentul pentru alimente congelate) atunci când sunt depozitate pentru o perioadă lungă de timp sub limita rece a intervalului de temperaturi pentru care este proiectat aparatul frigorific;

- **AVERTISMENT:** Este necesar ca pentru ușile sau capacele prevăzute cu încuietori și chei, cheile să nu fie păstrate la îndemâna copiilor și nu în apropierea aparatului frigorific pentru a preveni blocarea copiilor în interior.

- **AVERTISMENT:** Agentul frigorific utilizat în aparatul dumneavoastră și materialele de izolare necesită proceduri speciale de eliminare.

- **AVERTISMENT:** Atunci când poziționați aparatul, cablul de alimentare nu trebuie să fie prins sau deteriorat.

- **AVERTISMENT:** Nu amplasați prizele portabile multiple sau alimentările portabile în spatele aparatului.

Încărcarea și descărcarea acestui aparat frigorific poate fi efectuată de copii cu vârste cuprinse între 3 și 8 ani. Pentru a evita contaminarea alimentelor, vă rugăm să respectați următoarele instrucțiuni:

- Deschiderea ușii pentru perioade lungi de timp poate provoca o creștere semnificativă a temperaturii în compartimentele aparatului.

- Curățați regulat suprafețele care pot intra în contact cu alimente și sisteme de drenaj accesibile.

- Curățați rezervoarele de apă dacă nu au fost utilizate timp de 48 de ore; spălați sistemul de apă conectat la o sursă de alimentare în cazul în care apa nu a circulat timp de 5 zile.

- Păstrați carnea crudă și peștele în recipiente adecvate în frigider, astfel încât să nu fie în contact cu alte alimente sau să nu picure pe alte alimente.

- Compartimentele de două stele pentru alimente congelate sunt potrivite pentru depozitarea alimentelor congelate, depozitarea sau pregătirea înghețatei și pregătirea cuburilor de gheață.

- Compartimentele de una, două și trei stele nu sunt potrivite pentru înghețarea alimentelor proaspete.

- Dacă aparatul este lăsat gol pentru perioade lungi de timp, opriți, dezghețați, curățați, uscați și lăsați ușa deschisă pentru a preveni apariția mușgaiului în interiorul aparatului.

Intervalul de temperatură

Informațiile despre intervalul de temperatură al aparatului sunt furnizate pe plăcuța cu date tehnice. Acest interval indică care este temperatura ambientală (adică temperatura camerei în care funcționează aparatul), funcționarea aparatului este una optimă (corectă).

Intervalul de temperatură	Temperatura ambientală admisă
SN	de la +10°C la +32°C
N	de la +16°C la +32°C
ST	de la +16°C la +38°C
T	de la +16°C la +43°C

Notă: Având în vedere valorile limită ale intervalului de temperatură ambientală pentru clasele de temperatură pentru care este proiectat aparatul frigorific și faptul că temperaturile interne ar putea fi afectate de factori precum amplasarea aparatului frigorific, temperatura ambientală și frecvența deschiderii ușii, se poate modifica setarea oricărui dispozitiv de control al temperaturii pentru a permite acești factori, dacă este cazul.

În cazul în care cablul de alimentare este deteriorat, acesta trebuie înlocuit de către producător, agentul de service sau de persoane calificate similare pentru a evita orice pericol.



Notă: Când funcționează într-un mediu diferit de tipul de temperatură specificat (adică, dincolo de intervalul nominal de temperatură ambientală), este posibil ca aparatul să nu poată menține temperaturile dorite în compartiment.

Încuietori

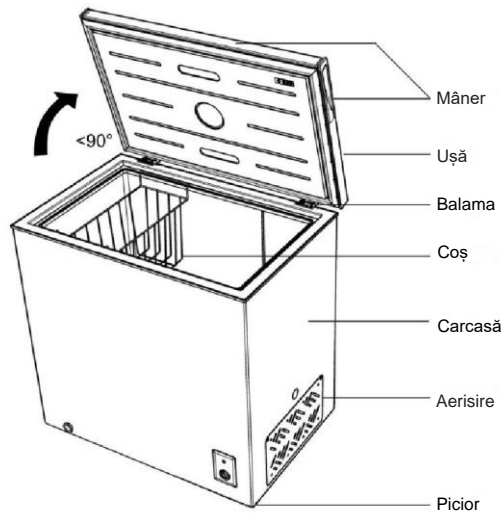
În cazul în care frigiderul dvs. este dotat cu o încuietoare, nu lăsați cheile la îndemână și nici în apropierea aparatului pentru a preveni blocarea copiilor.

Dacă eliminați un frigider vechi, rupeți închietoriile sau zăvoarele vechi, ca măsură de protecție.

Fără freon

Agentul frigorific fără freon (R600a) și materialul izolat spumant (ciclopentan) ecologic sunt folosite, nedeteriorând stratul de ozon și având un impact foarte mic asupra încălzirii globale. R600a este inflamabil și etanșat într-un sistem frigorific, pentru a nu exista scurgeri în timpul utilizării obișnuite. În cazul unei scurgeri de agent frigorific din cauza deteriorării circuitului de agent frigorific, asigurați-vă că țineți aparatul departe de flăcări deschise și deschideți ferestrele pentru ventilație cât mai repede posibil.

NUMELE PIESELOR



Datorită inovațiilor tehnologice, este posibil ca descrierile produselor din acest manual să nu fie conforme pe deplin cu congelatorul dvs. Detaliile sunt conforme cu produsul real.

AVERTISMENT: Nu atingeți niciodată interiorul congelatorului sau alimentele congelate din compartiment cu mâinile ude, deoarece acest lucru ar putea duce la degerături.

INSTRUCȚIUNI DE TRANSPORT

Aparatul trebuie transportat numai în poziție verticală. Ambalajul în starea sa la furnizare trebuie să fie intact în timpul transportului.

Dacă în timpul transportului, produsul a fost transportat în poziție orizontală, acesta trebuie așezat numai pe partea sa stângă (cu fața spre ușa frontală) și nu trebuie pus în funcționare timp de cel puțin 4 ore pentru a permite sistemului să se așeze după ce aparatul este adus în poziție verticală.

1. Nerespectarea instrucțiunilor de mai sus poate duce la deteriorarea aparatului. Producătorul nu va fi responsabil dacă aceste instrucțiuni sunt nerespectate.
2. Aparatul trebuie protejat împotriva ploii, umezelii și a altor factori atmosferici.

IMPORTANT: Aveți grijă în timp ce curățați/transportați aparatul pentru a evita atingerea anselor metalice ale condensatorului din spatele aparatului, întrucât vă puteți răni degetele și mâinile sau puteți deteriora produsul.

IMPORTANT: Acest aparat nu este conceput pentru fi suprapus cu alt aparat. Nu încercați să vă așezați sau să stați în picioare pe aparat întrucât nu este conceput pentru o astfel de utilizare. Vă puteți răni sau puteți deteriora aparatul.

IMPORTANT: Cablul de alimentare nu trebuie să fie prins sub aparat în timpul și după transportarea/mutarea aparatului pentru a evita tăierea sau deteriorarea acestuia.

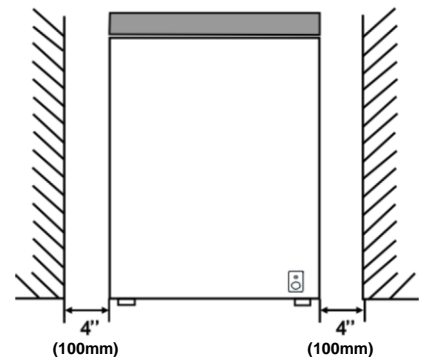
Când vă poziționați aparatul, aveți grijă să nu vă deteriorați podeaua, țevile, vopseaua de pe pereți etc. Nu mutați aparatul trăgând de capac sau de mâner. Nu lăsați copiii să se joace cu aparatul sau cu comenzile. Compania noastră nu își asumă nicio răspundere în cazul în care instrucțiunile nu sunt respectate.

INSTRUCȚIUNI DE INSTALARE

1. Dacă este posibil, evitați amplasarea aparatului în apropierea aragazelor, caloriferelor sau în lumina directă a soarelui, deoarece acest lucru prelungește durata de funcționare a compresorului. Dacă este instalat lângă o sursă de căldură sau frigider, mențineți următoarele distanțe de separare:

Față de aragaz	4" (100 mm)
Față de radiator	12" (300 mm)
Față de frigider	4" (100 mm)

2. Asigurați-vă că există suficient spațiu în jurul aparatului pentru a asigura circulația liberă a aerului. Ideal, în jurul congelatorului trebuie să existe un spațiu de minimum 10 cm și asigurați-vă că lăsați spații conform diagramei de mai jos.
3. Aparatul trebuie amplasat pe o suprafață netedă.
4. Este interzisă utilizarea frigiderului în exterior.
5. Protejați împotriva umezelii. Nu amplasați congelatorul în spații umede pentru a evita ruginirea pieselor de metal. Și nu pulverizați apă în congelator; se va slăbi izolația și va provoca scurgeri de curent.



6. Consultați secțiunea „Curățare și îngrijire” pentru a vă pregăti aparatul pentru utilizare.
7. Dacă congelatorul este instalat în zone neîncălzite, garaje etc., pe vreme rece se poate forma condens pe suprafețele exterioare. Acest lucru este destul de normal și nu este o defecțiune. Îndepărtați condensul ștergând cu o cârpă uscată.

PORNIRE

Verificarea finală

Înainte de a începe să utilizați congelatorul verificați dacă:

1. interiorul este uscat și aerul poate circula liber în partea din spate.
2. Curățați interiorul conform recomandărilor din secțiunea „CURĂȚARE ȘI ÎNGRIJIRE”.
3. Introduceți ștecărul în priza de perete și porniți alimentarea cu curent. Se va aprinde indicatorul luminos de culoare roșie. Evitați deconectarea accidentală prin apăsarea comutatorului. Indicatorul luminos verde va străluci și compresorul va începe să funcționeze.
4. Veți auzi un zgomot pe măsură ce compresorul pornește. Lichidul și gazele sigilate în sistemul frigorific pot provoca, de asemenea, zgomot, indiferent dacă funcționează sau nu compresorul. Acest lucru este destul de normal.
5. Dacă urmează să depozitați alimente deja congelate, deschideți capacul congelatorului și verificați dacă s-a ajuns la temperatura corectă. Apoi puteți pune alimentele deja congelate înăuntru.
6. Nu încărcăți aparatul imediat după pornire. Așteptați până când se atinge temperatura de depozitare. Vă recomandăm să verificați temperatura cu un termometru precis.

Observații importante:

- Dacă se produce o pană de curent, nu deschideți capacul. Alimentele congelate nu ar trebui să fie afectate dacă întreruperea durează mai puțin de 20 de ore. Dacă întreruperea este mai lungă, atunci alimentele trebuie verificate și consumate imediat sau gătite și apoi congelate.
- Dacă descoperiți că se deschide greu capacul lăzii frigorifice imediat după ce l-ați închis, nu vă faceți griji. Acest lucru se datorează diferenței de presiune care va egaliza și va lăsa capacul să fie deschis normal după câteva minute.

PUNEREA ÎN FUNCȚIUNE A CONGELATORULUI

Ecranul de afișare este ilustrat ca în figurile de mai jos:



Funcții:

Când sistemul este pornit pentru prima dată, toate indicatoarele LED și afișajul digital se aprind și vor reveni la afișarea normală în 2 secunde. Când ecranul de afișare digitală este pornit, acesta se va stinge automat dacă nu acționează nicio tastă în decurs de 3 minute, cu toate tastele blocate. Când ecranul de afișare este oprit, îl puteți trezi apăsând orice tastă pentru prima dată, apoi ținând apăsată tasta „-” timp de 3 secunde pentru a debloca tastele.

★ Frigider/congelator

1) Intervale de temperatură reglabile: 8°C~2°C pentru modul frigider și -12°C ~ -24°C pentru modul congelator, care poate fi reglat într-o manieră circulară pentru a realiza funcția frigider/congelator.

2) După deblocarea tastelor, afișajul temperaturii începe să lumineze intermitent la apăsarea tastei „+” / „-” pentru prima dată. Puteți modifica valorile temperaturii în acest moment.

La setarea temperaturii: dacă temperatura este setată la 2 °C, aceasta va fi reglată la -12 °C după ce apăsați tasta „-”; dacă temperatura este setată la - 24 °C, aceasta va fi reglată la 8 °C după ce apăsați tasta „-”; dacă temperatura este setată la - 12 °C, aceasta va fi reglată la 2 °C după ce apăsați tasta „+”; iar dacă temperatura este setată la 8 °C, aceasta va fi reglată la -24 °C după ce apăsați tasta „+”.

★ Setarea temperaturii frigiderului


Puteți regla valoarea temperaturii apăsând tasta „+” / „-”. Când tasta „+” / „-” este apăsată pentru prima dată, valoarea temperaturii poate fi modificată; iar atunci când tasta „+” / „-” este apăsată din nou, temperatura setată crește/scade corespunzător cu 1 °C. Când intervalul de temperatură este setat la 8 °C~2 °C, modul frigider este activat.

★ Setarea temperaturii congelatorului

Puteți regla valoarea temperaturii apăsând tasta „+” / „-”. Când tasta „+” / „-” este apăsată pentru prima dată, valoarea temperaturii poate fi modificată; iar atunci când tasta „+” / „-” este apăsată din nou, temperatura setată crește/scade corespunzător cu 1 °C. Când intervalul de temperatură este setat la -12 °C~-24 °C, modul congelator este activat.

★ Congelare rapidă

Când funcția „Congelare rapidă” este activată, temperatura congelatorului este setată automat la -32 °C, iar după funcționarea timp de 26 de ore, funcția Congelare rapidă se va opri. Răcirea rapidă a temperaturii congelatorului este benefică pentru prevenirea pierderii elementelor nutritive ale alimentelor și pentru păstrarea prospețimii.

- 1)  Când funcția „Congelare rapidă” este activă, temperatura este afișată la „- 32 °C”, valoare care nu se poate modifica.
- 2) Pentru a intra sau a ieși din funcția Congelare rapidă
Când tastele sunt deblocate, puteți ține apăsată tasta „+” timp de 3 secunde pentru a intra sau a ieși din funcția „Congelare rapidă”.

Notă: Dacă temperatura congelatorului este setată sub zero (adică în modul congelator) înainte ca funcția de congelare rapidă să fie activată, aceasta va reveni la temperatura setată după ieșirea din această funcție; iar dacă temperatura congelatorului este setată peste zero (adică, în modul frigider) înainte ca funcția de congelare rapidă să fie activată, aceasta va reveni la -18 C în mod implicit după ieșirea din această funcție.

★ Blocare împotriva accesului copiilor

- 1) Când funcția „Blocare împotriva accesului copiilor” este activată, temperatura și funcția nu pot fi setate pentru a preveni o funcționare greșită.
- 2) Pentru a intra în funcția „Blocare împotriva accesului copiilor”:
Dacă nu se acționează cheia în decurs de 3 minute, funcția „Blocare împotriva accesului copiilor” a congelatorului va fi activată automat.
- 3) Pentru a ieși din funcția „Blocare împotriva accesului copiilor”:
Puteți ține apăsată tasta „-” timp de 3 secunde pentru a ieși din funcția „Blocare împotriva accesului copiilor”.

★ Memorie în caz de pană de curent

În cazul unei pene de curent, atunci când congelatorul va fi din nou alimentat cu curent electric, acesta va reveni la starea de funcționare anterioară.

★ Protecție la pornirea întârziată

Pentru a proteja deteriorarea compresorului în cazul unei pene scurte de curent (adică de mai puțin de 5 minute), compresorul nu va porni imediat după ce este din nou alimentat.

★ Alarma de eroare

În cazul în care pe panoul de operare este afișat codul E0; acesta indică o defecțiune a congelatorului. Contactați persoana din departamentul post-vânzare pentru a merge la service în acest caz.



Datorită factorilor individuali ai frigiderului, temperatura reală interioară poate avea o altă valoare față de temperatura setată, care este un fenomen normal și nu afectează funcționarea obișnuită a produsului.

DEPOZITAREA ALIMENTELOR CONGELATE

Alimentele congelate preambalate din comerț trebuie depozitate în conformitate cu instrucțiunile producătorului acestora, în unul din compartimentele congelatorului.

Pentru a asigura menținerea calității înalte obținute de producătorul de alimente congelate și de vânzătorul cu amănuntul de alimente, trebuie să țineți cont de următoarele:

1. Puneți pachetele în congelator cât mai repede posibil după achiziționarea lor.
2. Nu depășiți datele „A se utiliza până la”, „A se consuma înainte de” de pe ambalaj.

CONGELAREA ALIMENTELOR PROASPETE

Amplasați alimentele proaspete care se vor congela lângă pereții laterali pentru a asigura o congelare rapidă și departe de alimentele deja congelate, dacă este posibil.

Nu depășiți niciodată această capacitate maximă. Nu congelați o cantitate prea mare o dată.

Calitatea alimentelor se păstrează cel mai bine atunci când sunt congelate prin centru cât mai repede posibil.

Aveți grijă în special să nu amestecați alimentele deja congelate cu cele proaspete.

DECONGELARE

Decongelați de două ori pe an sau atunci când s-a format un strat de gheață în jur de 7 mm (1/4").

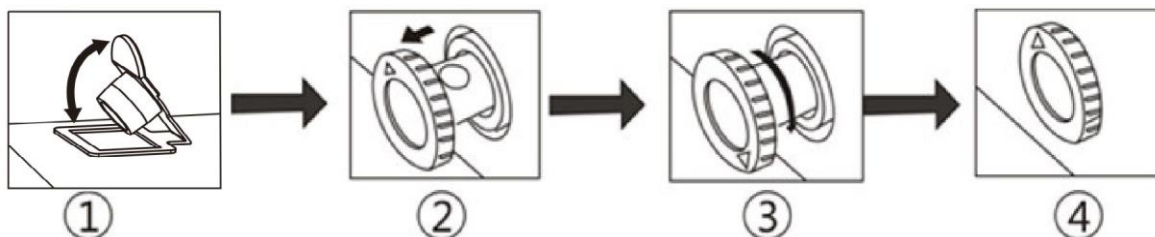
Alternativ, puteți opri congelatorul de la priză și deconectați ștecărul.

Extrageți tubul pentru apă și puneți-l într-un recipient.

Cu 6 ore înainte de dezghețare, setați butonul termostatului în poziția „-24” pentru a vă asigura că alimentele sunt la cea mai scăzută temperatură atunci când le scoateți. Toate alimentele trebuie înfășurate în câteva straturi de ziar și depozitate la loc rece (de ex., frigider sau cămară).

Scoateți coșul congelatorului. Lăsați capacul deschis. Recipientele cu apă caldă pot fi amplasate atent în congelator pentru a grăbi decongelarea.

Nu utilizați niciodată uscătoare de păr, încălzitoare electrice sau alte astfel de aparate electrice pentru decongelare. Atunci când s-a încheiat decongelarea, scoateți apa dezghețată care se adună în partea de jos a congelatorului conform diagramei de mai jos și uscați complet interiorul. Porniți funcția de Congelare rapidă și lăsați-l timp de aproximativ trei ore.



1. În partea de jos a garniturii congelatorului este proiectată o ieșire de scurgere. La dezghețare, scoateți capacul din cauciuc, iar apa de dezghețare va curge afară și va fi evacuată din conducta de scurgere.

2. Extrageți tubul de apă cu 20-25 mm până când puteți observa orificiul pentru apă.

3. Răsuciți tubul de apă până când săgeata indică în jos.

4. Când aparatul a fost dezghețat, asigurați-vă că nu mai iese apă înainte de a fixa la loc tubul pentru apă și asigurați-vă că săgeata este în sus.

Observații importante:

- Nu utilizați obiecte cu vârf sau ascuțite, cum ar fi cuțitele sau furculițele pentru a îndepărta stratul de gheață.
- Nu utilizați niciodată uscătoare de păr, încălzitoare electrice sau alte aparate electrice de acest gen pentru decongelare.
- Este normal ca pe vremea umedă să apară perle de apă sau îngheț pe marginea congelatorului și pe garniturile ușilor, ceea ce nu va afecta utilizarea normală. În acest caz, curățați cu o cârpă uscată la timp!

CURĂȚAREA ȘI ÎNGRIJIREA

** Vă recomandăm să scoateți congelatorul din priză și să deconectați ștecărul înainte de curățare.

** Nu utilizați niciodată un instrument ascuțit, abraziv, săpun, agent de curățare de uz casnic, detergent și ceară de lustruit pentru curățare.

Utilizați apă caldă pentru a curăța interiorul congelatorului și ștergeți-l pentru uscare.

** Utilizați o lavetă umedă într-o soluție de o linguriță de bicarbonat de sodiu la 5 litri de apă pentru a curăța interiorul și ștergeți-l pentru uscare.

** Acumularea excesivă de gheață trebuie îndepărtată periodic utilizând o racletă pentru gheață. Această racletă din plastic este disponibilă la magazinul dvs. din apropiere.

Acumularea mare de gheață va afecta performanța congelatorului.

** Dacă congelatorul nu va fi utilizat pentru o perioadă îndelungată, opriți-l, scoateți toate alimentele, curățați-l și lăsați capacul deschis.

** Verificați periodic garniturile capacului pentru a vă asigura că sunt curate și nu au particule de alimente.

Observații importante:

Nu utilizați niciodată spălarea cu apă a poziției compresorului, ștergeți-l complet cu o lavetă uscată după curățare pentru a preveni rugina.

AȚIUNI RECOMANDATE ȘI NERECOMANDATE

Da – Decongelați alimentele din congelator cu atenție în frigider sau la un cuptor cu microunde respectând instrucțiunile de decongelare și gătire.

Da – Capacul lăzii frigorifice trebuie închis complet după fiecare utilizare.

- Da** – Decongealați carnea înghețată complet înainte de a o găti.
- Da** – Închideți ușor capacul.
- Da** – Verificați periodic conținutul congelatorului.
- Da** – Curățați și dezghețați periodic congelatorul (consultați secțiunea „Decongelare”)
- Da** – Păstrați alimentele pentru perioade cât mai scurte de timp posibil și respectați datele „Expiră la”, „A se consuma până la”.
- Da** – Depozitați alimentele congelate din comerț în conformitate cu instrucțiunile furnizate pe pachetele pe care le cumpărați.
- Da** – Alegeți întotdeauna alimente proaspete și asigurați-vă că sunt foarte curate înainte de a le congela.
- Da** – Pregătiți alimentele pentru congelate în porții mici pentru a garanta congelarea rapidă.
- Da** – Ambalați toate alimentele în folie de aluminiu sau pungi din plastic de calitate pentru congelare și asigurați-vă că este scos aerul.
- Da** – Înfășurați alimentele congelate atunci când le cumpărați și puneți-le la congelator cât mai curând posibil.
- Da** – Depozitați articolele mici în coșul furnizat.
- Da** – Scoateți înghețata din congelator cu 10-20 de minute înainte de a o servi.
- Nu** – Lăsați capacul deschis pentru perioade lungi, deoarece acest lucru va îngreuna funcționarea congelatorului și va cauza formarea excesivă de gheață.
- Nu** – Nu utilizați obiecte cu vârf ascuțit, cum ar fi cuțitele sau furculițele pentru a îndepărta gheața.
- Nu** – Nu puneți alimente fierbinți în congelator. Lăsați-le mai întâi să se răcească.
- Nu** – Nu puneți sticle umplute cu lichid sau conserve sigilate care conțin lichide carbonatate în congelator întrucât pot exploda.
- Nu** – Nu depozitați substanțe otrăvitoare sau periculoase în congelator. Congelatorul dumneavoastră a fost proiectat doar pentru depozitarea alimentelor comestibile.
- Nu** – Nu consumați înghețata direct din congelator. Temperatura scăzută poate provoca „arsuri ca urmare a contactului cu alimentele congelate” pe buze.
- Nu** – Nu congelați băuturi acidulate.
- Nu** – Încercați să păstrați alimentele congelate care s-au dezghețat; acestea trebuie consumate în decurs de 24 de ore sau găsite și recongelate.
- Nu** – Nu scoateți articolele din congelator cu mâinile ude.
- Nu** – Nu închideți capacul cu forță. Veți deteriora aparatul.
- Aparatul nu este destinat utilizării de către persoane (inclusiv copii) cu abilități fizice, senzoriale sau mentale reduse sau lipsite de experiență și cunoștințe, cu excepția cazului în care sunt supravegheate sau au fost instruite cu privire la utilizarea în siguranță a aparatului, de către o persoană responsabilă cu siguranța lor.
 - Copiii trebuie supravegheați pentru a vă asigura că nu se joacă cu aparatul.
 - Nu depozitați substanțe explozive, cum ar fi canistrele de aerosoli cu gaz inflamabil în interiorul acestui aparat.
 - Acest aparat este destinat utilizării în uz casnic și în aplicații similare, cum ar fi: zonele de bucătărie ale personalului din restaurant, birouri și alte medii de lucru, ferme, de către clienți din hoteluri, moteluri și alte medii de tip rezidențial, medii tip pensiune, incinte de catering sau incinte asemănătoare necomerciale.
 - În cazul în care cablul de alimentare este deteriorat, acesta trebuie înlocuit de către producător, agentul de service sau de persoane calificate similare pentru a evita orice pericol.

Schimbarea becului

Becul LED este folosit de frigider pentru iluminat și are un consum redus de energie și o durată lungă de viață. În cazul oricărei anomalii, contactați personalul din departamentul post-vânzare pentru a merge la service. Becuri pot fi înlocuite numai de producător.

Tip bec: Bec LED.

Nivel de eficiență energetică: F

INFORMAȚII ELECTRICE

ACEST APARAT TREBUIE LEGAT LA ÎMPĂMÂNTARE.

Acest aparat este echipat cu un ștecher cu trei pini, conform BS 1363, care va fi potrivit pentru utilizare în toate casele echipate cu prize conform specificațiilor actuale.

Dacă ștecherul montat nu este potrivit pentru prize, acesta trebuie tăiat și eliminat cu grijă. Pentru a evita un posibil pericol de electrocutare, nu introduceți ștecherul aruncat într-o priză.

Acest aparat este în conformitate cu Directivele CEE:

Eliminarea corectă a acestui produs



Acest marcaj indică faptul că acest produs nu trebuie eliminat împreună cu alte deșeuri menajere în întreaga UE. Pentru a preveni posibilele daune aduse mediului sau sănătății prin eliminarea necontrolată a deșeurilor, reciclați-le în mod responsabil pentru a promova reutilizarea durabilă a resurselor materiale. Pentru a returna dispozitivul folosit, utilizați sistemele de returnare și colectare sau să contactați comerciantul de unde a fost achiziționat produsul. Aceștia pot prelua produsul pentru o reciclare sigură pentru mediu.

Avertismente de eliminare

- ※ Agentul frigorific și materialul spumant ciclopentan utilizat pentru frigider sunt inflamabile. Prin urmare, atunci când frigiderul este casat, acesta trebuie ținut departe de orice sursă de incendiu și trebuie preluat de o firmă specială de recuperare, cu calificarea corespunzătoare, și nu trebuie eliminat prin ardere pentru a preveni deteriorarea mediului sau orice alte daune.
- ※ Când frigiderul este casat, dezamblați ușile și îndepărtați garnitura ușii și a raftului; puneți ușile și rafturile într-un loc corespunzător, astfel încât să preveniți blocarea copiilor în interior.

acces la reparații profesionale, cum ar fi pagini de internet, adrese, detalii de contact;

Lista stațiilor de service post-vânzare:

Adresă	
Număr de contact	
Site web	
Cod QR	

Notă: Adresa sau numărul de telefon de contact al site-ului de service pot fi modificate fără o notificare prealabilă. Confirmați dacă stația de service este una direct afiliată companiei noastre atunci când solicitați servicii.

informații relevante pentru comandarea pieselor de schimb, direct sau prin alte canale furnizate de producător, importator sau reprezentant autorizat;

perioada minimă în care sunt disponibile piesele de schimb, necesare pentru repararea aparatului;

instrucțiuni cu privire la modul de găsim a informațiilor despre model în baza de date de produse, astfel cum este definită în Regulamentul (UE) 2019/2019, prin intermediul unui link web care face legătura la informațiile despre model, așa cum sunt stocate în baza de date a produselor sau a unui link la baza de date cu produse și informații despre cum să găsiți identificatorul de model pe produs.)

ZAMRZOVALNA SKRINJA
NAVODILA ZA UPORABO

ŠT. MODELA:

CMCH 100 D

CMCH 150 D

CMCH 200 D

VARNOST



OPOZORILO!

Izvajanje servisiranja ali popravil, ki vključujejo odstranitev pokrovov, je nevarno, če ga izvajajo osebe, ki niso pooblaščenec za izvajanje navedenih dejavnosti. Da bi se izognili tveganju električnega udara, ne poskušajte sami popraviti naprave.

OPOZORILO!

Nevarnost požara/vnetljiv material.



Varnostni nasveti

Za odmrzovanje zamrzovalnika ne uporabljajte električnih naprav, kot sta sušilec za lase ali grelec.

Posode z vnetljivimi plini ali tekočinami lahko pri nizkih temperaturah puščajo.

V zamrzovalniku ne shranjujte posod z vnetljivimi materiali, kot so posode z razpršili, kartuše za polnjenje gasilnih aparatov itd.

V predel za zamrzovanje ne vstavljajte gaziranih pijač. Lizike lahko povzročijo omrzline. Če jih zaužijete takoj, ko jih vzamete iz zamrzovalnika.

Ne jemljite predmetov iz predela za zamrzovanje z vlažnimi/mokrimi rokami, ker si lahko opraskate kožo ali utrpite omrzline. Steklenic in pločevink ni dovoljeno dajati v predel za zamrzovanje, saj lahko po zamrzovanju njihove vsebine počijo.

Upoštevati je treba priporočene čase shranjevanja proizvajalca. Glejte ustrezna navodila.

Ne dovolite otrokom, da se dotikajo upravljalnih elementov ali se igrajo z zamrzovalnikom. Zamrzovalnik je težak. Pri premikanju je potrebna previdnost. Spreminjanje specifikacij ali poskus kakršnegakoli prilagajanja tega izdelka je nevaren.

V zamrzovalniku ne shranjujte vnetljivih plinov ali tekočin.

Če je napajalni kabel poškodovan, ga mora za preprečitev tveganja zamenjati proizvajalec, serviser ali podobno usposobljena oseba.

Ta aparat lahko uporabljajo otroci, starejši od 8 let, ter osebe z zmanjšanimi fizičnimi, senzoričnimi ali umskimi sposobnostmi ali s pomanjkanjem izkušenj in znanja, če so pod ustreznim nadzorom oziroma so prejele navodila za varno uporabo aparata ter razumejo s tem povezana tveganja. Otroci naj se ne igrajo z aparatom. Otroci ne smejo čistiti in izvajati uporabniških vzdrževalnih del brez nadzora.

Ta hladilni aparat ni namenjen uporabi kot vgradni aparat.

Aparat je namenjen uporabi v gospodinjstvu in v podobne namene, kot npr.

- v čajnih kuhinjah v trgovinah, pisarnah in drugih delovnih okoljih,
- na kmetijah in v hotelskih, motelskih sobah in drugih nastanitvah za goste,
- v nastanitvah tipa B&B,
- v gostinskih storitvah in podobnih primerih, vendar ne v maloprodaji.

Poskrbite, da bodo prezračevalne odprtine na ohišju aparata ali na vgradnih elementih proste in neovirane.

Ne uporabljajte mehanskih sredstev za pospešitev odmrzovanja oziroma sredstev, ki jih ne priporoča proizvajalec.

Ne poškodujte hladilne napeljave.

Ne uporabljajte električnih naprav v prostorih za shranjevanje živil v aparatu, razen če njihovo uporabo priporoča proizvajalec.

V aparatu ne shranjujte eksplozivnih substanc, kot so na primer razpršilci pod tlakom z vnetljivim potisnim plinom.

Naprava ni namenjena uporabi s strani oseb (vključno z otroki) z zmanjšanimi fizičnimi, senzoričnimi ali umskimi sposobnostmi ali oseb brez izkušenj in znanja, razen če jih oseba, odgovorna za njihovo varnost, nadzira ali pouči o uporabi naprave. Otroci morajo biti pod nadzorom, da preprečite, da bi se igrali z aparatom.

- **OPOZORILO:** Poskrbite, da bodo prezračevalne odprtine na ohišju aparata ali na vgradnih elementih proste in neovirane.

- **OPOZORILO:** Ne uporabljajte mehanskih sredstev za pospešitev odmrzovanja oziroma sredstev, ki jih ne priporoča proizvajalec.

- **OPOZORILO:** Ne poškodujte hladilne napeljave.

- **OPOZORILO:** Ne uporabljajte električnih naprav v prostorih za shranjevanje živil v aparatu, razen če njihovo uporabo priporoča proizvajalec.

- **OPOZORILO:** Če je hladilni aparat – predvsem hladilnik-zamrzovalnik tipa I – dlje časa nameščen v prostoru z okoljsko temperaturo, za katero hladilni aparat ni zasnovan, obstaja možnost, da hladilni aparat morda ne bo deloval dosledno (nepravilno odtajevanje ali neprimerna temperatura v zamrzovalniku).

- **OPOZORILO:** Glede na to, da se ključ uporablja povsod, kjer so vrata in pokrovi, le-tega shranjujte izven dosega otrok in ne v bližini hladilnega aparata, da se otroci ne bi slučajno vanj zaprli.

- **OPOZORILO:** Hladilno sredstvo, ki se uporablja v vašem aparatu, in izolacijske materiale je treba odstraniti po posebnih postopkih.

- **OPOZORILO:** Ko nameščate aparat, poskrbite, da električni kabel ne bo zataknen ali poškodovan.

- **OPOZORILO:** Prenosnih vtičnic ali prenosnega električnega napajanja ne postavljajte za aparat.

Otroci, stari od 3 do 8 let, smejo v hladilne aparate dajati stvari in jih jemati iz njih. Da bi se izognili kontaminaciji živil, upoštevajte naslednja navodila:

- Če so vrata predolgo odprta, temperaturo znotraj hladilne naprave lahko občutno zvišate.

- Redno čistite površine, ki prihajajo v stik s hrano in vodnim sistemom.

- Če rezervoarja z vodo niste uporabljali 48 ur oziroma če vodo ne dovajate 5 dni, izperite vodni sistem, ki je priključen na vodovod.

- Surovo meso in ribe shranjujte v primernih posodah v hladilniku, da ne pridejo v stik z drugo hrano.

- Predeli za zamrznjeno hrano z dvema zvezdicama so primerni za shranjevanje vnaprej zamrznjene hrane, shranjevanje ali pripravo sladoleda in pripravo kock ledu.

- Predeli z eno, dvema in tremi zvezdicami niso primerni za zamrzovanje sveže hrane.

- Če hladilni aparat dalj časa pustite prazen, ga izklopite, odmrznete, očistite, posušite in pustite vrata odprta, da preprečite nastanek plesni v napravi.

Podnebni razpon

Informacije o podnebnem razponu aparata so navedene na tipski ploščici. Označuje, pri kateri temperaturi okolja (to je sobni temperaturi, pri kateri aparat deluje) je delovanje aparata optimalno (ustrezno).

Podnebni razpon	Dopustna temperatura okolice
SN	od +10 °C do +32 °C
N	od +16 °C do +32 °C
ST	od +16 °C do +38 °C
T	od +16 °C do +43 °C

Opomba: Glede na mejne vrednosti temperaturnega območja okolja za podnebne razrede, za katere je hladilni aparat zasnovan, in dejstvo, da bi lahko na notranje temperature vplivali dejavniki, kot so lokacija hladilnega aparata, temperatura okolja in pogostost odpiranja vrat, bo morda treba spremeniti nastavitve katere koli naprave za uravnavanje temperature, da se po potrebi upoštevajo ti dejavniki.

Če je napajalni kabel poškodovan, morate preprečiti morebitna tveganja, zato ga sme nadomestiti samo proizvajalec, njegov servisni agent ali podobno usposobljene osebe.



Opomba: Če aparat deluje v okolju, se razlikuje od navedene vrste podnebja (tj. zunaj nazivnega razpona temperature okolja), morda ne bo mogel vzdrževati želenih temperatur v posameznih predelih.

Ključavnice

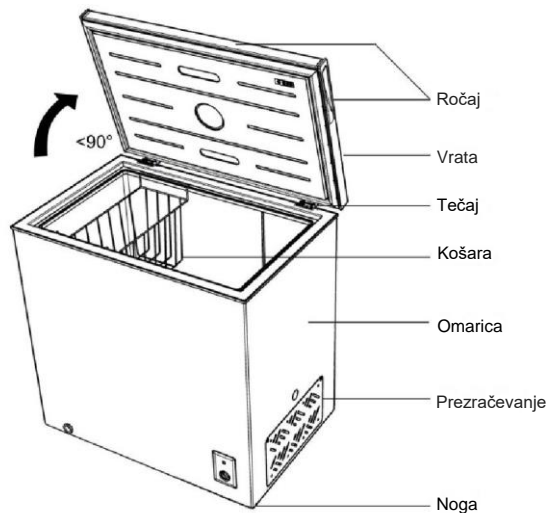
Če je vaš hladilnik opremljen s ključavnico, ključ hranite izven dosega in ne v bližini aparata, da preprečite ujetje otrok.

Pred odlaganjem starega hladilnika iz varnostnih razlogov odlopite vse stare ključavnice ali zapahe.

Brez freona

V hladilniku se uporabljata hladilno sredstvo brez freona (R600a) in penasti izolacijski material (ciklopentan), ki sta okolju prijazna, zato ne škodujeta ozonskemu plašču imata zelo majhen vpliv na globalno segrevanje. Sredstvo R600a je vnetljivo in zapečateno v hladilnem sistemu ter med normalno uporabo ne uhaja. Če pa pride do uhajanja hladilnega sredstva zaradi poškodbe hladilnega tokokroga, poskrbite, da napravo čimprej odmaknete od oprtega plamena in odprete okna, da zagotovite prezračevanje.

IMENA DELOV



Zaradi tehnoloških novosti opisi izdelkov v tem priročniku morda niso popolnoma skladni z vašim zamrzovalnikom. Podrobnosti so v skladu z dejanskim izdelkom.

⚠ OPOZORILO ⚠: Notranjosti zamrzovalne komore ali zamrznjenih živil v predelu se nikoli ne dotikajte z mokrimi rokami, saj lahko to povzroči omrzline.

NAVODILA ZA PREVOZ

Aparat je treba prevažati le v pokončni legi. Ob dobavi embalaža ne sme biti poškodovana zaradi prevoza.

Če se aparat prevaža v vodoravni legi, sme biti postavljen le na levi stranici (gledano proti vratom s sprednje strani), po pokončni postavitvi pa se ga najmanj 4 ure ne sme vključiti, tako da se sistem umiri.

1. Neupoštevanje zgornjih navodil ima lahko za posledico poškodbe aparata. Proizvajalec ne odgovarja za posledice, če teh navodil ne upoštevate.
2. Aparat je treba zaščititi pred dežjem, vlago in drugimi vremenskimi dejavniki.

POMEMBNO: Med čiščenjem/prenašanjem aparata pazite, da se ne dotaknete kovinskih žic kondenzatorja na zadnji strani aparata, saj si pri tem lahko poškodujete prste in roke ali pa povzročite poškodbe izdelka.

POMEMBNO: Ta aparat ni namenjen za zlaganje pod ali na druge aparate. Ne poskušajte se usesti ali stopiti na vrh vašega aparata, saj ni temu namenjen. Pri tem lahko poškodujete sebe ali aparat.

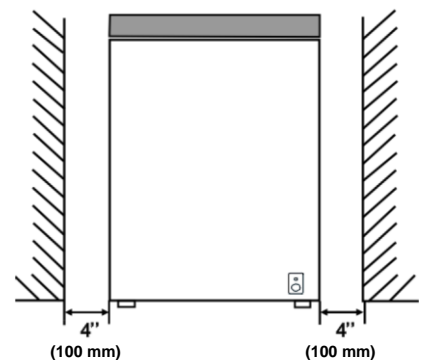
POMEMBNO: Pazite, da med prenašanjem ali premikanjem aparata pod njim ne ukleščite napajalnega kabla, saj ga s tem lahko odrežete ali poškodujete.

Pri namestitvi aparata pazite, da ne poškodujete talnih oblog, cevi, stenskih oblog itd. Aparata ne premikajte tako, da potegnete za pokrov ali ročaj. Ne pustite otrokom, da bi se igrali z aparatom ali posegali v njegove nastavitve. Naša družba zavrača vsakršno odgovornost v primeru neupoštevanja navodil.

NAVODILA ZA NAMESTITEV

1. Če je mogoče, aparata ne postavljajte ob kuhalne plošče, radiatorje ali na neposredno sončno svetlobo, saj to lahko povzroči daljši čas delovanja kompresorja. Če ga postavite ob vir toplote ali zamrzovalnik, zagotovite naslednje najmanjše razdalje ob straneh:

Od štedilnikov	4 palce (100 mm)
Od radiatorjev	12 palcev (300 mm)
Od hladilnikov	4 palce (100 mm)
2. Okoli aparata naj bo dovolj prostora, da je zagotovljeno prosto kroženje zraka. Idealno je, da okoli zamrzovalnika pustite najmanj 10 cm prostora, tako kot je prikazano na spodnji sliki.
3. Aparat namestite na gladko površino.
4. Hladilnika ne uporabljajte na prostem.
5. Zaščitite ga pred vlago. Zamrzovalnika ne postavljajte v vlažne prostore, da preprečite rjavenje kovinskih delov. Zamrzovalnika ne pršite z vodo, saj lahko to škodi izolaciji in povzroči uhajanje tekočine.



6. Pred pripravo aparata na uporabo si oglejte poglavje »Čiščenje in nega«.
7. Če je zamrzovalnik nameščen v neogrevanih prostorih, garažah ipd., se lahko ob hladnem vremenu na zunanjih površinah tvori kondenz. To ni napaka, temveč povsem normalen pojav. Kondenz obrišite s suho krpo.

ZAGON

Končni pregled

Pred začetkom uporabe zamrzovalnika preverite naslednje:

1. Prepričajte se, da je notranjost suha in da lahko zrak na zadnji strani prosto kroži.
2. Očistite notranjost v skladu s priporočili v poglavju »ČIŠČENJE IN NEGA«.
3. Vstavite vtič v stensko vtičnico in vključite električno napajanje, prižge se rdeča signalna lučka. Preprečite nenamerni izklop, tako da prelepitate stikalo. Zelena signalna lučka zasveti in kompresor začne delovati.
4. Ko se kompresor zažene, boste zaslišali hrup. Tekočina in plini, zaprti v hladilnem sistemu, lahko povzročajo hrup ne glede na to, ali kompresor deluje, kar je povsem normalno.
5. Če nameravate shraniti že zamrznjena živila, odprite pokrov zamrzovalnika in preverite, ali je v zamrzovalniku dosežena prava temperatura. Nato lahko vanj vstavite že zamrznjena živila.
6. Aparata ne napolnite takoj po vklopu. Počakajte, dokler ni dosežena prava temperatura za shranjevanje. Priporočamo vam, da temperaturo preverite z natančnim termometrom.

Pomembne opombe:

- V primeru izpada električne energije ne odpirajte pokrova. Če izpad ne traja dlje kot 20 ur, to ne bi smelo vplivati na zamrznjena živila. Če izpad električne energije traja dlje, živila preverite in jih takoj zaužijte ali pa jih skuhajte in nato zamrznite.
- Če pokrov zamrzovalne skrinje težko odprete takoj po tem, ko ste ga pravkar zaprli, ne skrbite. To je posledica razlike v tlaku, ki se izenači in po nekaj minutah omogoči normalno odpiranje pokrova.

ZAMRZOVANJE

Prikazovalna plošča je prikazana na naslednjih slikah:



Funkcije:

Ob prvem vklopu sistema zasvetijo vsi indikatorji LED in digitalni zaslon, običajen prikaz pa se povrne po dveh sekundah. Ko je digitalni zaslon vklopljen, se samodejno izklopi, če v 3 minutah ne pritisnete nobene tipke, in vse tipke se zaklenejo. Ko je zaslon izklopljen, ga lahko prebudite s pritiskom katerekoli tipke, nato pa tri sekunde držite tipko »-«, da tipke odklenete.

★ Hladilnik/zamrzovalnik

1) Nastavljivi razponi temperature: 8 °C ~ 2 °C v načinu hladilnika in -12 °C ~ -24 °C v načinu zamrzovalnika, kar lahko krožno prilagodite, da uporabite funkcijo hladilnika/zamrzovalnika.

2) Po odklepanju tipk začne prikaz ob prvem pritisku tipke »+«/»-« utripati, in vrednosti temperature lahko zdaj spreminjate.

Med nastavljanjem temperature: če je temperatura nastavljena na 2 °C, se bo po pritisku tipke »-« nastavila na -12 °C; če je temperatura nastavljena na -24 °C, se bo po pritisku tipke »-« nastavila na 8 °C; če je temperatura nastavljena na -12 °C, se bo po pritisku tipke »+« nastavila na 2 °C; in če je temperatura nastavljena na 8 °C, se bo po pritisku tipke »+« nastavila na -24 °C.

★ Nastavitev temperature hladilnika


Vrednost temperature lahko nastavljate s pritiskom tipke »+«/»-«. Po prvem pritisku tipke »+«/»-« se omogoči nastavljanje temperature; ob ponovnem pritisku tipke »+«/»-« pa se nastavljena temperatura poviša/zniža za 1 °C. Ko je temperaturno območje nastavljeno na 8 °C ~ 2 °C, je omogočen način hladilnika.

★ Nastavitev temperature zamrzovalnika

Vrednost temperature lahko nastavljate s pritiskom tipke »+«/»-«. Po prvem pritisku tipke »+«/»-« se omogoči nastavljanje temperature; ob ponovnem pritisku tipke »+«/»-« pa se nastavljena temperatura poviša/zniža za 1 °C. Ko je temperaturno območje nastavljeno na -12 °C ~ -24 °C, je omogočen način zamrzovalnika.

★ Hitro zamrzovanje

Ko je aktivirana funkcija »Hitro zamrzovanje«, se temperatura zamrzovalnika samodejno nastavi na -32 °C, po 26-urnem delovanju pa se funkcija Hitro zamrzovanje prekliče. Hitro zamrzovanje živil je koristno za preprečevanje izgub prehranske vrednosti živil in ohranjanje svežine.

1)  Ko je aktivna funkcija »Hitro zamrzovanje«, se stalno prikazuje temperatura »-32°C«.

2) Vklon ali izklop funkcije Hitro zamrzovanje

Ko so tipke odklenjene, lahko za vklop ali izklop funkcije Hitro zamrzovanje tri sekunde držite tipko »+«.

Opomba: Če je temperatura zamrzovalnika nastavljena pod ničlo (tj. v načinu zamrzovalnika) se po izklopu funkcije »Hitro zamrzovanje« ponovno vzpostavi nastavljena temperatura; če pa je temperatura zamrzovalnika nastavljena nad ničlo (tj. v načinu hladilnika), se po izklopu funkcije »Hitro zamrzovanje« nastavi na temperaturo -18 C.

★ Varnostni zaklep

1) Ko je omogočena funkcija »Varnostni zaklep«, temperature in funkcij ni mogoče nastaviti, da se prepreči nepravilno uporabo.

2) Za aktiviranje funkcije »Varnosti zaklep«:

Če v treh minutah ne pritisnete nobene tipke, se funkcija zamrzovalnika »Varnostni zaklep« samodejno omogoči.

3) Če želite zapustiti funkcijo »Varnostni zaklep«:

Za izhod iz funkcije »Varnostni zaklep« lahko tri sekunde držite tipko »-«.

★ Pomnilnik za izpad električne energije

V primeru izpada električne energije bo zamrzovalnik ohranil stanje delovanja pred izpadom električne energije, ko se ponovno vzpostavi napajanje.

★ Zaščitna funkcija za zakasnitev vklopa

Zaradi zaščite kompresorja hladilnika pred poškodbami v primeru kratkotrajnega izpada električne energije (tj. manj kot 5 minut) se kompresor ne bo zagnal takoj po vklopu.

★ Alarm za napako

Če se na nadzorni plošči prikaže E0, to pomeni napako na zamrzovalniku. V takem primeru se obrnite na poprodajno službo ali servis.



Zaradi posameznih dejavnikov hladilnika lahko dejanska temperatura v notranjosti nekoliko odstopa od nastavljene temperature, kar je normalen pojav in ne vpliva na običajno uporabo izdelka.

SHRANJEVANJE ZAMRZNJENIH ŽIVIL

Predpakirana, tovarniško zamrznjena živila je treba shranjevati v skladu z navodili proizvajalca zamrznjenega živila v zamrzovalnem razdelku.

Da bi zagotovili visoko kakovost, ki sta jo dosegla proizvajalec zamrznjenih živil in prodajalec hrane, je treba upoštevati naslednje:

1. Živilo vstavite v zamrzovalnik čim prej po nakupu.
2. Ne presežite datumov uporabnosti, ki so z oznakama »Uporabno do« in »Uporabno najmanj do« navedeni na embalaži.

ZAMRZOVANJE SVEŽIH ŽIVIL

Sveža živila, ki jih želite zamrzniti, postavite ob stranske stene, da pospešite zamrzovanje. Če je mogoče, jih ne postavljajte v bližino že zamrznjenih živil.

Nikoli ne presežite največje zmogljivosti. Nikoli ne zamrzujte prevelike količine.

Kakovost živil se bolje ohrani, če jih čim hitreje zamrznete do središča.

Posebej pozorni bodite, da med seboj ne mešate že zamrznjenih in svežih živil.

ODTALJEVANJE

Aparat odtalite dvakrat na leto oziroma takrat, ko se v njem nabere približno 7 mm (1/4") debel sloj ledu.

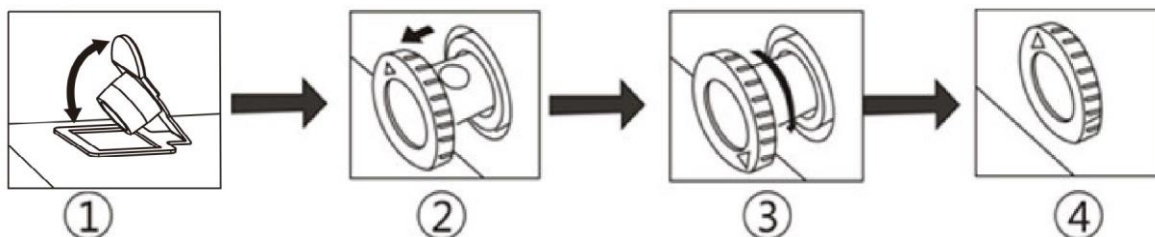
Če želite, lahko izključite napajanje zamrzovalnika, tako da izvlečete omrežni vtič iz vtičnice.

Izvlecite vodovodno cev in jo vstavite v posodo z vodo.

Šest ur pred odtaljevanjem nastavite termostatski gumb na oznako »-24«, tako da so živila ohlajena na najnižji temperaturi, ko jih vzamete iz zamrzovalnika. Vsa živila ovijte z več plastmi časopisnega papirja in jih shranite na hladnem mestu (npr. hladilnik ali shramba).

Iz zamrzovalnika vzemite košaro. Pokrov zamrzovalnika pustite odprt. V zamrzovalnik previdno vstavite posode z vročo vodo, da pospešite odtaljevanje.

Nikoli ne uporabljajte sušilnikov za lase, električnih grelnikov ali drugih podobnih električnih aparatov za odtaljevanje. Ko se ves led stali, iztočite vodo, ki se je nabrala na dnu zamrzovalnika, kot je prikazano na spodnjem diagramu in dodobra obrišite notranjost. Vključite funkcijo hitrega zamrzovanja in jo pustite delovati približno tri ure.



1. Odtočna odprtina je na dnu obloge zamrzovalnika; pri odmrzovanju odstranite gumijast zamašek, da voda odteče skozi odtočno cev.
2. Dvignite vodovodno cev za približno 20 do 25 cm, tako da lahko vidite odprtino za iztekanje vode.
3. Obrnite vodovodno cev, tako da je puščica usmerjena navzdol.
4. Ko ste zaključili z odtaljevanjem, se prepričajte, da iz vodovodne cevi ne izteka več voda, preden vodovodno cev znova namestite na predvideno mesto in jo obrnete tako, da puščica gleda navzgor.

Pomembne opombe:

- Ne uporabljajte koničastih ali ostrih predmetov, kot so noži ali vilice, za odstranjevanje ledu.
- Nikoli ne uporabljajte sušilnikov za lase, električnih grelnikov ali drugih podobnih električnih aparatov za odtaljevanje.
- Normalno je, da se v vlažnem vremenu na obodu zamrzovalnika in tesnilih vrat pojavijo vodne kroglice ali zmrzal, in navedeno ne vpliva na normalno uporabo. Navedeno pravočasno obrišite s suho krpo!

ČIŠČENJE IN NEGA

** Priporočamo vam, da pred čiščenjem izključite električno napajanje zamrzovalnika, tako da omrežni vtič iztaknete iz vtičnice.

** Za čiščenje nikoli ne uporabljajte ostrih ali abrazivnih predmetov, mila, čistil za gospodinjstvo, detergentov ali voska.

** Ohišje zamrzovalnika čistite z mlačno vodo in ga nato do suhega obrišite.

** Notranjost zamrzovalnika čistite s krpo, namočeno v raztopini sode bikarbone in približno pol litra (1 pinta) vode, nato pa jo do suhega obrišite.

** Prekomerne ledene obloge redno odstranjujte s pomočjo plastičnega strgala za led, ki je na prodaj v vseh trgovinah.

Debele ledene obloge negativno vplivajo na učinkovitost zamrzovalnika.

** Če zamrzovalnika dlje časa ne boste uporabljali, ga izključite, iz njega vzemite vsa živila, očistite ga in pustite pokrov odprt.

** Redno preverjajte tesnila na pokrovu, ki morajo biti čista in brez ostankov hrane.

Pomembne opombe:

Kompresorja nikoli ne izpirajte z vodo, po čiščenju pa ga temeljito obrišite s suho krpo, da preprečite rjavenje.

DA IN NE

Da – Temeljito odtalite živila iz zamrzovalnika v hladilniku ali mikrovalovni pečici, pri tem pa sledite navodilom za odtaljevanje in kuhanje.

Da – Pokrov zamrzovalne skrinje po vsaki uporabi dodobra zaprite.

Da – Meso pred kuhanjem povsem odtalite.

Da – Pokrov nežno zaprite.

Da – Redno preverjajte vsebino zamrzovalnika.

- Da** – Zamrzovalnik redno čistite in odmrzujte (glejte »Odmrzovanje«)
- Da** – Živila hranite čim krajši čas, pri čemer upoštevajte datume »Uporabno do« in »Uporabno najmanj do«
- Da** – Tovarniško zamrznjena živila shranjujte v skladu z navodili na embalaži.
- Da** – Vselej izberite visoko kakovostna sveža živila in jih pred zamrzovanjem temeljito očistite.
- Da** – Sveža živila za zamrzovanje pripravite v majhnih količinah za zagotovitev hitrejšega zamrzovanja.
- Da** – Vsa živila ovijte v aluminijasto folijo ali plastične vrečke, namenjene za zamrzovanje živil in iz njih iztisnite ves zrak.
- Da** – Zamrznjeno hrano zavijte, ko jo kupite, in jo čim prej dajte v zamrzovalnik.
- Da** – Manjša živila shranjujte v zagotovljeni košari.
- Da** – Sladoled vzemite iz zamrzovalnika 10 do 20 minut pred postrežbo.
- Ne** – Pustite pokrova odprtega za daljša obdobja, saj bo delovanje zamrzovalnika tako postalo dražje in pojavilo se bo prekomerno nastajanje ledu.
- Ne** – Uporabljajte koničastih ali ostrih predmetov, kot so noži ali vilice, za odstranjevanje ledu.
- Ne** – Vstavljajte vročih živil v zamrzovalnik. Pred tem naj se ohladijo.
- Ne** – Vstavljajte v zamrzovalnik s tekočino napolnjene steklenice ali zaprte pločevinke z gazirano tekočino, saj jih lahko raznese.
- Ne** – Shranjujte strupenih ali škodljivih snovi v zamrzovalniku. Vaš zamrzovalnik je zasnovan samo za shranjevanje užitnih živil.
- Ne** – Jejite sladoleda neposredno iz zamrzovalnika. Nizka temperatura lahko povzroči omrzline na ustnicah.
- Ne** – Zamrzujte gaziranih pijač.
- Ne** – Shranjujte zamrznjenih živil, ko se odmrznejo; pojediti jih je treba v 24 urah ali jih skuhati in znova zamrzniti.
- Ne** – Jemljite živil iz zamrzovalnika z mokrimi rokami.
- Ne** – Zapirajte pokrova na silo. To bi poškodovalo aparat.
- Naprava ni namenjena uporabi s strani oseb (vključno z otroki) z zmanjšanimi fizičnimi, senzoričnimi ali duševnimi sposobnostmi ali oseb brez izkušenj in znanja, razen če jih oseba, odgovorna za njihovo varnost, nadzira ali pouči o uporabi naprave.
 - Otroci morajo biti pod nadzorom, da preprečite, da bi se igrali z aparatom.
 - V aparatu ne shranjujte eksplozivnih substanc, kot so na primer razpršilci pod tlakom z vnetljivim potisnim plinom.
 - Ta aparat je predviden za uporabo v gospodinjstvih in prostorih, kot so čajne kuhinje za osebje v trgovinah, pisarnah in drugih delovnih okoljih, na kmetijah in v hotelih, motelih ter drugih bivalnih okoljih; v kuhinjah prenočitvenih objektov in drugih podobnih objektih, ki niso namenjeni prodaji na drobno.
 - Če je napajalni kabel poškodovan, ga mora zamenjati proizvajalec, serviser ali podobno usposobljena oseba, da preprečite morebitne nevarnosti.

Zamenjava žarnice

Zamrzovalnik za razsvetljavo uporablja žarnico LED, ki ima majhno porabo energije in dolgo življenjsko dobo. V primeru kakršnih koli nenormalnosti se obrnite na poprodajno službo ali servis. Žarnice lahko zamenja samo proizvajalec.

Vrsta žarnice: Luč LED.

Raven energetske učinkovitosti: F


INFORMACIJE O ELEKTRIKI

APARAT MORA BITI USTREZNO OZEMLJEN.

Aparat je opremljen z vtičem s tremi zatiči v skladu z BS 1363, ki je primeren za uporabo v vseh hišah, opremljenih z vtičnicami v skladu z veljavnimi specifikacijami.

Če nameščeni vtič ni primeren za vaše vtičnice, ga je treba odrezati in previdno zavreči. Da bi se izognili morebitni nevarnosti električnega udara, zavrženega vtiča ne vstavljajte v vtičnico.

Ta naprava je v skladu z direktivami EGS:

Pravilno odlaganje aparata	
	<p>Ta znak pomeni, da je izdelek v vsej Evropi prepovedano odlagati med gospodinjske odpadke. Odgovorno odlaganje odpadkov prepreči onesnaževanje okolja in ne škoduje zdravju ter spodbuja ponovno trajnostno uporabo materialnih virov. Odslužen aparat lahko vrnete s pomočjo sistema zbiranja in vračanja ali pa stopite v stik s prodajalcem, kjer ste izdelek kupili. Prodajalci so pooblaščen za prevzem izdelka, da bi zagotovili okolju prijazno recikliranje.</p>

Opozorila glede odlaganja

- ※ Hladilno sredstvo in ciklopentanski penasti material, ki se uporabljata v hladilniku, sta vnetljiva. Zato je treba hladilnik ob odlaganju hraniti stran od virov vžiga, predelati pa ga mora posebno predelovalno podjetje, ki je ustrezno usposobljeno, pri čemer ga ne sme sežgati, da se preprečijo škodljivi vplivi na okolje in drugi škodljivi vplivi.
- ※ Ob odlaganju hladilnika razstavite vrata in odstranite tesnilo z vrat in polic; vrata in police odložite na ustrezno mesto, da preprečite ujetje otrok.

dostop do strokovnih popravil, kot so spletna mesta, naslovi, kontaktni podatki;

Seznam servisov:

Naslov	
Številka za stik	
Spletna stran	
Koda QR	

Opomba: Naslov ali telefonska številka za stik servisa se lahko spremenita brez predhodnega obvestila. Če potrebujete servisiranje, se prepričajte, ali je servis neposredno povezan z enim od naših podjetij.

ustrezne informacije za naročilo rezervnih delov, neposredno ali prek drugih kanalov, ki jih zagotovi proizvajalec, uvoznik ali pooblaščen zastopnik;

minimalno obdobje, v katerem so na voljo rezervni deli, potrebni za popravilo aparata;

navodila o tem, kako najti informacije o modelu v podatkovni zbirki izdelkov, kot je opredeljeno v Uredbi (EU) 2019/2019, prek spletne povezave, ki kaže na informacije o modelu, shranjene v podatkovni zbirki izdelkov, ali povezave, ki kaže v podatkovno zbirko in informacij o tem, kako najti identifikator izdelka.)

HORIZONTALNI ZAMRZIVAČ

UPUTSTVO ZA UPOTREBU

BR. MODELA:

CMCH 100 D

CMCH 150 D

CMCH 200 D

BEZBEDNOST



UPOZORENJE!

Opasno je za bilo koga osim ovlašćenog servisnog osoblja da vrši servisiranje ili popravke koje podrazumevaju uklanjanje poklopaca. Da biste izbegli rizik od strujnog udara, ne pokušavajte sami da popravite ovaj uređaj.

UPOZORENJE!

Rizik od vatre / zapaljivih materijala.



Saveti za bezbednost

Ne koristite električne uređaje kao što su fen za kosu ili grejač kako biste odmrzili zamrzivač.

Posude sa zapaljivim gasovima ili tečnostima mogu curiti na niskim temperaturama.

Ne skladištite nikakve posude sa zapaljivim materijalima, kao što su boce sa sprejevima, kertridži za dopunu aparata za gašenje požara itd. u zamrzivaču.

Ne stavljajte gazirana ili pića sa rastvorenim ugljen-dioksidom u zamrzivač. Ledene lizalice mogu izazvati promrzline/rane od zamrzavanja. Ako se konzumira direktno iz zamrzivača.

Ne vadite predmete iz zamrzivača ako su vam ruke vlažne/mokre, jer to može izazvati ogrebotine kože ili promrzline/rane od zamrzavanja. Nije dozvoljeno stavljati boce i limenke u zamrzivač jer mogu puknuti kada se sadržaj zamrzne.

Potrebno je poštovati preporučena vremena skladištenja koja je dao proizvođač. Pogledajte relevantna uputstva.

Ne dozvolite deci da diraju kontrole ili da se igraju sa zamrzivačem. Zamrzivač je težak. Treba voditi računa kada ga pomerate. Opasno je menjati specifikaciju ili pokušati modifikovati ovaj proizvod na bilo koji način.

Ne skladištite zapaljive gasove ili tečnosti unutar zamrzivača.

Ako je mrežni kabl oštećen, potrebno je da ga zamene proizvođač, radnik servisne službe ili lica sa sličnim kvalifikacijama kako biste izbegli opasnost.

Ovaj uređaj smeju da koriste deca uzrasta od 8 godina i osobe sa smanjenim fizičkim, čulnim ili mentalnim sposobnostima ili nedostatkom iskustva i znanja, ako su pod nadzorom ili ako na raspolaganju imaju uputstva u vezi sa korišćenjem uređaja na bezbedan način, kao i ako razumeju opasnosti koje su povezane sa njim. Deca ne smeju da se igraju uređajem. Čišćenje i održavanje od strane korisnika ne smeju da vrše deca bez nadzora.

Ovaj frižider nije predviđen da se koristi kao ugradni uređaj.

Ovaj uređaj je namenjen za korišćenje u domaćinstvu i sličnim primenama kao što su

- kuhinjske prostorije za osoblje u okviru prodavnica, kancelarija ili drugih prostorija za rad;
- seoske kuće i klijenti u hotelima, motelima i drugim okruženjima stambenog tipa;
- okruženja tipa noćenja sa doručkom;
- ugostiteljstvo i slične primene koje nisu maloprodajne.

Ne blokirajte ventilacione otvore u unutrašnjosti uređaja ili u ugrađenoj strukturi.

Nemojte da koristite mehaničke uređaje ili druga sredstva za ubrzavanje procesa odmrzavanja, osim onih koje preporučuje proizvođač.

Nemojte da oštetite rashladno kolo.

Nemojte da koristite električne uređaje unutar odeljaka za čuvanje hrane u uređaju, osim ako nisu tipa koji preporučuje proizvođač.

Ne čuvajte eksplozivne materije, kao što su boce sa aerosolima, sa zapaljivim pogonskim gasom u ovom uređaju.

Ovaj uređaj nije namenjen za upotrebu od strane osoba (uključujući decu) sa smanjenim fizičkim, senzornim ili mentalnim sposobnostima, ili sa nedostatkom iskustva i znanja, osim ako imaju nadzor ili su dobili uputstva u vezi sa upotrebom aparata od strane osobe odgovorne za njihovu bezbednost. Deca treba da budu pod nadzorom kako biste osigurali da se ne igraju sa uređajem.

- **UPOZORENJE:** Ne blokirajte ventilacione otvore u unutrašnjosti uređaja ili u ugrađenoj strukturi.
- **UPOZORENJE:** Nemojte da koristite mehaničke uređaje ili druga sredstva za ubrzavanje procesa odmrzavanja, osim onih koje preporučuje proizvođač.
- **UPOZORENJE:** Nemojte da oštetite rashladno kolo.
- **UPOZORENJE:** Nemojte da koristite električne uređaje unutar odeljaka za čuvanje hrane u uređaju, osim ako nisu onog tipa koji preporučuje proizvođač.
- **UPOZORENJE:** Rashladni uređaji – posebno hladnjak-zamrzivač tipa I – možda neće raditi dosledno (mogućnost odmrzavanja sadržaja ili temperature koja postaje previše toplo u odeljku za zamrznutu hranu) kada se nalazi duže vreme ispod hladnog dela opsega temperatura za koje je rashladni uređaj dizajniran;
- **UPOZORENJE:** Neophodnost da se ključevi za vrata ili poklopce sa bravama i ključevima čuvaju van domašaja dece i ne u blizini rashladnog uređaja da biste sprečili da deca budu zaključana unutra.
- **UPOZORENJE:** Rashladno sredstvo koje se koristi u vašem uređaju i izolacionim materijalima zahteva posebne postupke odlaganja na otpad.
- **UPOZORENJE:** Prilikom pozicioniranja uređaja, uverite se da mrežni kabl nije zaglavljen ili oštećen.
- **UPOZORENJE:** Nemojte da smeštate više prenosivih utičnica ili prenosivih izvora napajanja na zadnji deo uređaja
Deci uzrasta od 3 do 8 godina je dozvoljeno da stavljaju stvari u rashladne uređaje i vade ih iz njega. Da biste izbegli kontaminaciju hrane, pridržavajte se sledećih uputstava:
 - Otvaranje vrata tokom dužeg vremena može izazvati značajan porast temperature u odeljcima uređaja.
 - Redovno čistite površine koje mogu doći u kontakt sa hranom i dostupnim sistemima za odvodnjavanje.
 - Čistite rezervoare za vodu ako nisu korišćeni tokom 48 h. Isperite sistem za vodu povezan sa vodosnabdevanjem ako niste točili vodu tokom 5 dana.
 - Sirovo meso i ribu odložite u odgovarajućim posudama u hladnjaku tako da nisu u kontaktu sa drugom hranom niti kaplju na nju.
 - Posude za zamrznutu hranu sa dve zvezdice pogodne su za čuvanje prethodno smrznute hrane, čuvanje ili pravljenje sladoleda i pravljenje kockica leda.
 - Posude sa jednom, dve i tri zvezdice nisu pogodne za zamrzavanje sveže hrane.
 - Ako rashladni uređaj ostaje prazan duže vreme, isključite, odmrznite, očistite i osušite uređaj i ostavite vrata otvorena kako bi se sprečio nastanak buđi unutar uređaja.

Klimatski opseg

Informacije o klimatskom opsegu uređaja nalaze se na pločici sa podacima. Ona označava na kojoj temperaturi okruženja (tj. sobnoj temperaturi, u kojoj uređaj radi) je rad uređaja optimalan (pravljan).

Klimatski opseg	Dozvoljena temperatura okoline
SN	od +10°C do +32°C
N	od +16°C do +32°C
ST	od +16°C do +38°C
T	od +16°C do +43°C

Napomena: S obzirom na granične vrednosti temperaturnog opsega okruženja za klimatske klase za koje je dizajniran rashladni uređaj i činjenicu da na unutrašnje temperature mogu uticati faktori kao što su lokacija rashladnog uređaja, temperatura okoline i učestalost otvaranja vrata, podešavanje bilo kog uređaja za kontrolu temperature možda će morati da se menja kako bi se omogućili ovi faktori, ako je potrebno.

Ako je mrežni kabl oštećen, potrebno je da ga zamene proizvođač, radnik servisne službe ili lice sa sličnim kvalifikacijama kako biste izbegli opasnost.



Napomena: Kada se radi u okruženju koje nije navedeni tip klime (tj. izvan nazivnog opsega temperature okruženja), uređaj možda neće moći da održi poželjne temperature odeljka.

Brave

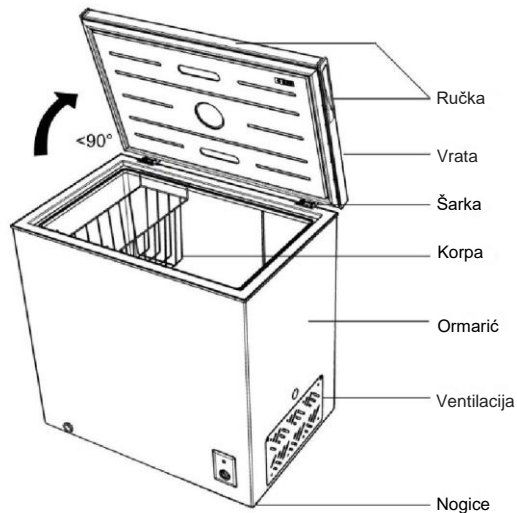
Ako vaš frižider poseduje bravu, držite ključ van domašaja i ne u blizini uređaja kako biste sprečili da deca budu zarobljena u njemu.

Prilikom odlaganja starog frižidera na otpad, polomite sve stare brave ili reze kao zaštitnu meru.

Bez freona

Rashladni uređaj bez freona (R600a) i penasti izolacioni materijal (ciklopentan) koji je ekološki prihvatljiv koriste se za frižider, tako da ne uzrokuju oštećenja ozonskog sloja i imaju veoma mali uticaj na globalno zagrevanje. R600a je zapaljiv i zapečaćen u rashladnom sistemu, bez curenja tokom normalne upotrebe. Ali u slučaju curenja rashladnog sredstva zbog oštećenog kruga sa rashladnim sredstvom, obavezno držite aparat dalje od otvorenog plamena i što je brže moguće otvorite prozore radi provetranja.

NAZIVI DELOVA



Zbog tehnoloških inovacija, opisi proizvoda u ovom priručniku možda nisu u potpunosti u skladu sa vašim zamrzivačem. Detalji su u skladu sa stvarnim proizvodom.

UPOZORENJE: Nikada ne dirajte unutrašnjost komore za zamrzavanje ili smrznute hrane u odeljku mokrim rukama jer bi to moglo dovesti do stvaranja promrzlina.

UPUTSTVA ZA TRANSPORT

Uređaj treba transportovati samo u vertikalnom uspravnom položaju. Isporučeno pakovanje mora biti netaknuto tokom transporta. Ako je tokom transporta proizvod transportovan horizontalno, potrebno ga je postaviti samo na levu stranu (kada ste okrenuti prema prednjim vratima) i ne sme se rukovati nije najmanje 4 sata kako bi se sistem mogao smiriti nakon što se uređaj vrati u uspravan položaj.

1. Nepoštovanje gore navedenih uputstava može dovesti do oštećenja koja se javljaju na uređaju. Proizvođač neće biti odgovoran ako zanemarite ova uputstva.
2. Uređaj mora biti zaštićen od kiše, vlage i drugih atmosferskih uticaja.

VAŽNO: Morate voditi računa prilikom čišćenja/nošenja aparata kako biste izbegli dodirivanje metalnih žica kondenzatora na zadnjoj strani uređaja, jer možete povrediti prste i ruke ili oštetiti proizvod.

VAŽNO: Ovaj uređaj nije dizajniran da ga postavljate na druge uređaje ili ispod njih. Ne pokušavajte da sedite ili stojite na vrhu uređaja jer nije dizajniran za takvu upotrebu. Možete se povrediti ili oštetiti uređaj.

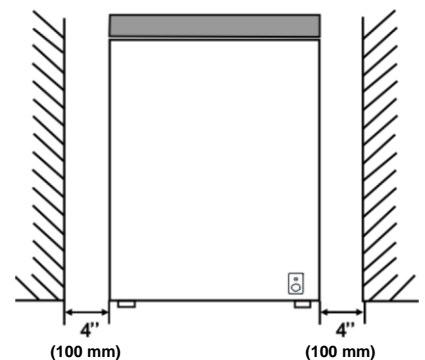
VAŽNO: Uverite se da mrežni kabl nije zaglavljen ispod aparata tokom i nakon nošenja/pomeranja uređaja, kako biste izbegli presecanje ili oštećenje mrežnog kabla.

Prilikom pozicioniranja uređaja pazite da ne oštete podove, cevi, zidne obloge itd. Ne pomerajte aparat povlačenjem poklopca ili ručke. Nemojte dozvoliti deci da se igraju sa uređajem ili da diraju kontrole. Naša kompanija odbija da prihvati bilo kakvu odgovornost ukoliko ne poštujete uputstva.

UPUTSTVA ZA INSTALACIJU

1. Ako je moguće, izbegavajte postavljanje aparata u blizini šporeta, radijatora ili na direktnoj sunčevoj svetlosti, jer će zbog toga kompresor raditi duže vreme. Ako je ugrađen pored izvora toplote ili frižidera, održavajte sledeće minimalne bočne razmake:

Od šporeta	4" (100 mm)
Od radijatora	12" (300 mm)
Od frižidera	4" (100 mm)
2. Uverite se da je oko uređaja obezbeđeno dovoljno prostora kako bi se osigurala slobodna cirkulacija vazduha. U idealnom slučaju, potrebno je ostaviti prostor ne manji od 10 cm oko zamrzivača i osigurati da ostanu praznine kao što je prikazano na donjoj šemi.
3. Aparat treba da se nalazi na ravnoj površini.
4. Zabranjeno je koristiti frižider na otvorenom.
5. Zaštita od vlage. Ne postavljajte zamrzivač u vlažnom prostoru kako biste izbegli rđanje metalnih delova. I ne prskajte vodu u zamrzivač, inače će oslabiti izolaciju i dovesti do trenutnog curenja.



6. Pogledajte odeljak „Čišćenje i nega“ da biste pripremili aparat za upotrebu.
7. Ako je zamrzivač postavljen u negrejanim područjima kao što su garaže itd. tokom hladnog vremena može doći do kondenzacije na spoljnim površinama. Ovo je sasvim normalno i nije greška. Uklonite kondenzaciju brisanjem suvom krpom.

POČETAK

Poslednja provera

Pre nego što počnete da koristite zamrzivač, proverite sledeće:

1. Unutrašnjost je suva i vazduh može slobodno cirkulisati pozadi.
2. Očistite unutrašnjost kao što je preporučeno u odeljku „Čišćenje i nega“.
3. Ubacite utikač u zidnu utičnicu i uključite napajanje električnom energijom, a zatim će crveno svetlo biti uključeno. Izbegavajte slučajno isključivanje lepljenjem trake preko prekidača. Zeleno svetlo će svetleti i kompresor će početi da radi.
4. Čujete buku dok se kompresor pokreće. Tečnost i gasovi koji se nalaze unutar rashladnog sistema takođe mogu dovesti do povećane buke, bez obzira da li je kompresor radi ili ne, što je sasvim normalno.
5. Ako ćete čuvati već zamrznutu hranu, otvorite poklopac zamrzivača i proverite da li je zamrzivač dostigao tačnu temperaturu. Onda možete staviti već zamrznutu hranu.
6. Nemojte puniti uređaj odmah nakon uključivanja. Sačekajte dok se bude postignuta odgovarajuća temperatura skladištenja. Preporučujemo da proverite temperaturu preciznim termometrom.

Važne napomene:

- Ako dođe do nestanka struje, ne otvarajte poklopac. To ne bi trebalo da utiče na smrznutu hranu ako nestanak struje traje kraće od 20 sati. Ako je kvar duži, onda hranu treba proveriti i pojesti odmah ili skuvati, a zatim ponovo zalediti.
- Ako otkrijete da je poklopac zamrzivača sandučara teško otvoriti odmah nakon što ga zatvorite, ne brinite. To je zbog razlike u pritisku koja će se izjednačiti i omogućiti da se poklopac normalno otvori nakon nekoliko minuta.

RAD ZAMRZIVAČA

Tabla sa displejem je ilustrovana kao na slikama ispod:



Funkcije:

Kada se sistem uključuje prvi put, svi LED indikatori i digitalni displej svetle, i vратиće se na normalan prikaz nakon 2 sek. Kada je digitalni displej uključen, automatski će se isključiti ako nema operacije na tasterima u roku od 3 minuta, sa svim tasterima zaključanim. Kada je displej isključen, možete ga probuditi pritiskom na bilo koji taster prvi put, a zatim držite taster „-“ 3 sekunde da biste otključali tastere.

★ Frižider/zamrzivač

1) Podesivi temperaturni opseg: 8°C ~ 2°C u režimu frižidera i -12°C ~ -24°C u režimu zamrzivača, što je moguće podesiti na kružni način kako biste ostvarili funkciju frižidera/zamrzivača.

2) Nakon otključavanja tastera, displej sa temperaturom počinje da treperi kada prvi put pritisnete taster „+/-“, sa vrednostima temperature koje su podložne promenama u ovom trenutku.

Prilikom podešavanja temperature: ako je temperatura podešena na 2°C, ona će biti podešena na -12°C nakon što pritisnete taster „-“; ako je temperatura podešena na -24°C, ona će biti podešena na 8°C nakon što pritisnete taster „+“; ako je temperatura podešena na -12°C, biće podešena na 2°C nakon što pritisnete taster „+“; a ako je temperatura podešena na 8°C, ona će biti podešena na -24°C nakon što pritisnete taster „+“.

★ Podešavanje temperature frižidera


Vrednost temperature možete podesiti pritiskom na taster „+/-“. Kada prvi put pritisnete taster „+/-“, vrednost temperature je podložna promeni; a kada se ponovo pritisne taster „+/-“, podešena temperatura se povećava/smanjuje za 1°C. Kada je temperaturni opseg podešen na 8°C ~ 2°C, omogućen je režim frižidera.

★ Podešavanje temperature zamrzivača

Vrednost temperature možete podesiti pritiskom na taster „+/-“. Kada prvi put pritisnete taster „+/-“, temperatura se menja; a kada ponovo pritisnete taster „+/-“, podešena temperatura se povećava/smanjuje za 1°C. Kada je temperaturni opseg podešen da bude -12°C ~ -24°C, režim zamrzivača je omogućen.

★ Brzo zamrzavanje

Kada se aktivira funkcija „Brzo zamrzavanje“, temperatura zamrzivača se automatski podešava na -32°C, a nakon rada u trajanju od 26 sati, izaći će iz funkcije Brzo zamrzavanje. Hlađenje temperature zamrzivača na brz način je korisno za da sprečavanje gubitka hranljive vrednosti hrane i očuvanje svežine.

- 1)  Kada je funkcija „Brzo zamrzavanje“ aktivna, prikazuje se temperatura „- 32°C“, što nije podložno nikakvoj promeni.
- 2) Da biste ušli u funkciju Brzo zamrzavanje ili izašli iz nje
Kada su tasteri otključani, možete pritisnuti taster „+“ u trajanju od 3 sek da biste ušli ili izašli iz funkcije „Brzo zamrzavanje“.

Napomena: Ako je temperatura zamrzivača postavljena ispod nule (tj. u režimu zamrzivača) pre nego što je omogućena funkcija brzog zamrzavanja, ona će se vratiti na zadatu temperaturu nakon što izađe iz funkcije „Brzo zamrzavanje“; a ako je temperatura zamrzivača postavljena iznad nule (tj. u režimu frižidera) pre nego što funkcija brzog zamrzavanja bude omogućena, podrazumevano će se vratiti na -18 C nakon izlaska iz funkcije „Brzo zamrzavanje“.

★ „Zaključano za decu“

- 1) Kada je omogućena funkcija „Zaključano za decu“, nije moguće podešavati temperaturu i funkciju, kako bi se sprečio pogrešan rad.
- 2) Da biste uneli funkciju „Zaključano za decu“:
Ako nema operacije tastera u roku od 3 minuta, funkcija „Zaključano za decu“ zamrzivača će automatski biti omogućena.
- 3) Da biste izašli iz funkcije „Zaključano za decu“:
Možete držati taster „-“ tokom 3 sek da biste izašli iz funkcije „Zaključano za decu“.

★ Memorija pri nestanku struje

U slučaju nestanka struje, zamrzivač će održavati radno stanje pre nestanka struje nakon što napajanje bude bilo obnovljeno.

★ Zaštita kašnjenjem pri uključivanju

Da bi se kompresor frižidera zaštitio od oštećenja u slučaju kratkotrajnog nestanka struje (tj. kraće od 5 minuta), kompresor se neće pokrenuti odmah nakon uključivanja.

★ Alarm za greške

U slučaju da je E0 prikazan na radnom panelu, to ukazuje na grešku sa zamrzivačem. U tom slučaju obratite se osobi iz postprodajnog odeljenja da biste dogovorili servisnu posetu.



Zbog pojedinačnih faktora frižidera, stvarna temperatura u samoj kutiji može imati određenu grešku u odnosu na podešenu temperaturu, što je normalna pojava i ne utiče na normalnu upotrebu proizvoda.

SKLADIŠTENJE SMRZNUTE HRANE

Prethodno upakovana komercijalno smrznuta hrana treba da se čuva u skladu sa uputstvima proizvođača smrznute hrane za odeljak zamrzivača.

Da biste osigurali da se visok kvalitet koji postiže proizvođač smrznute hrane i prodavac hrane održava, treba zapamtiti sledeće:

1. Stavite pakete u zamrzivač što je brže moguće nakon kupovine.
2. Ne prekoračite „Rok upotrebe“, „Najbolje pre“ datume na pakovanju.

ZAMRZAVANJE SVEŽE HRANE

Postavite svežu hranu za zamrzavanje u blizini bočnih zidova kako biste osigurali brzo zamrzavanje i sklonite je dalje od već smrznute hrane, ako je moguće.

Nikada ne premašujte ovaj maksimalni kapacitet. Nemojte zamrzavati preveliku količinu u jednom trenutku.

Kvalitet hrane je najbolje sačuvan kada što pre bude smrznuta skroz do njenog centra.

Posebno pazite da ne mešate već zamrznutu hranu i svežu hranu.

ODMRZAVANJE

Odmrzavajte dva puta godišnje ili kada se formira sloj leda od oko 7 mm (1/4“).

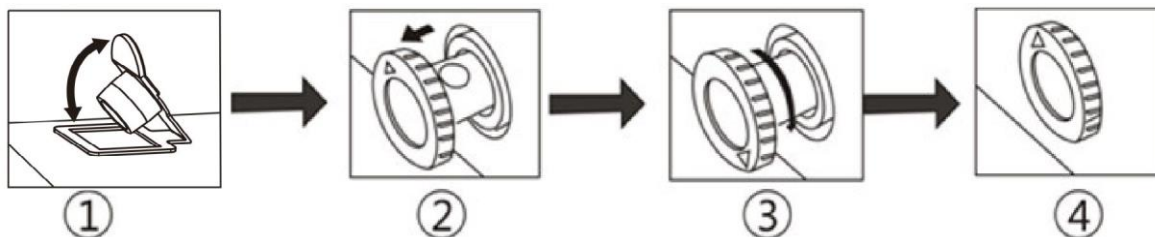
Alternativno, možete isključiti zamrzivač na utičnici i izvući mrežni utikač.

Ispustite vodeno kolo i stavite u posudu sa vodom.

6 sati pre odmrzavanja, podesite dugme termostata na položaj „-24“ kako biste bili sigurni da je hrana na najnižoj temperaturi kada je izvadite. Sva hrana treba biti umotana u nekoliko slojeva novina i odložena na hladno mesto (npr. frižider ili u ostavu).

Uklonite korpu iz zamrzivača. Ostavite poklopac otvoren. Posude sa toplom vodom možete pažljivo staviti u zamrzivač kako biste ubrzali odmrzavanje.

Nikada ne koristite fenove, električne grejače ili druge slične električne uređaje za odmrzavanje. Kada je odmrzavanje završeno, isušite vodu od odmrzavanja koja se prikuplja na dnu zamrzivača prema dolenavedenom dijagramu i temeljno osušite unutrašnjost. Uključite Brzo zamrzavanje i ostavite ga uključanim oko tri sata.



1. Izlaz za odvod je dizajniran na dnu zamrzivača, a prilikom odmrzavanja, uklonite gumeni poklopac, a zatim će voda od odmrzavanja izaći i biti ispuštena iz odvodne cevi.

2. Izvucite crevo za vodu za 20-25 mm dok ne budete mogli da vidite otvor za vodu.

3. Okrenite crevo za vodu tako da strelica bude okrenuta nadole.

4. Nakon odrađenog odmrzavanja, uverite se da voda više ne izlazi pre nego što crevo za vodu bude na svom mestu i okrenite tačku strelice nagore.

Važne napomene:

- Nemojte koristiti šiljate ili oštre predmete kao što su noževi ili viljuške da biste uklonili led.
- Nikada ne koristite fenove, električne grejače ili druge slične električne uređaje za odmrzavanje.
- Normalno je da se na obodu zamrzivača i zaptivkama na vratima pojavljuju vodene perle ili led kada je vlažno vreme, što neće uticati na normalnu upotrebu. U tom slučaju, očistite ga suvom krpom na vreme!

ČIŠĆENJE I NEGA

** Preporučujemo da isključite zamrzivač na utičnici i da izvučete mrežni utikač pre čišćenja.

** Za čišćenje nikada ne koristite oštar abrazivni instrument, sapun, sredstvo za čišćenje domaćinstva, deterdžent i sredstvo za poliranje na bazi voska.

** Koristite mlaku vodu za čišćenje ormarića zamrzivača i obrišite ga da ga osušite.

** Koristite vlažnu krpnu iscedenu u rastvoru jedne kašičice sode bikarbone na pola litre vode kako biste očistili unutrašnjost i obrišite je da je osušite.

** Višak nataloženog leda treba redovno uklanjati pomoću plastičnog strugača leda koji možete kupiti u lokalnoj prodavnici.

Veliki talozi leda će narušiti performanse zamrzivača.

** Ako se zamrzivač neće koristiti duže vreme, isključite ga, izvadite svu hranu, očistite ga i ostavite poklopac odškrinut.

** Redovno proveravajte poklopac zaptivke kako biste osigurali da je čist i bez čestica hrane.

Važne napomene:

Nikada ne koristite vodu za pranje dela sa kompresorom, prebrišite ga suvom krpom temeljno nakon čišćenja kako biste sprečili pojavu rđe.

ŠTA TREBA, A ŠTA NE TREBA RADITI

Treba – Temeljno odmrznite hranu iz zamrzivača u frižideru ili u mikrotalasnoj pećnici prateći uputstva za odmrzavanje i kuvanje.

Treba – Uverite se da poklopac sanduka zamrzivača bude potpuno zatvoren nakon svake upotrebe.

Treba – Potpuno odmrznite smrznuto meso pre kuvanja.

Treba – Nežno zatvorite poklopac.

Treba – Redovno proveravajte sadržaj zamrzivača.

Treba – Redovno čistite i odmrzavajte zamrzivač (pogledajte „Odmrzavanje“)

Treba – Držite hranu što je moguće kraće vreme i pridržavajte se datuma „Najbolje pre“, „Rok upotrebe“.

Treba – Skladištiti komercijalno smrznutu hranu u skladu sa uputstvima datim na paketima koje kupujete.

Treba – Uvek birajte kvalitetnu svežu hranu i budite sigurni da je temeljno čista pre nego što je zamrznete.

Treba – Pripremiti svežu hranu za zamrzavanje u malim porcijama kako biste osigurali brzo zamrzavanje.

Treba – Umotati sve namirnice u aluminijumsku foliju ili plastične kese za zamrzivač i proverite da li je vazduh istisnut.

Treba – Zamotati smrznutu hranu kada je kupite i staviti je u zamrzivač što je pre moguće.

Treba – Male predmete odlagati u obezbeđenu korpu.

Treba – Izvaditi sladoled iz zamrzivača 10-20 minuta pre serviranja.

Ne treba – Ostaviti poklopac otvoren duže vreme, jer će tako biti skuplji rad zamrzivača i izazvati prekomerno stvaranje leda.

Ne treba – Koristiti oštre šiljate oštre predmete kao što su noževi ili viljuške za uklanjanje leda.

Nemojte – Stavljati vrelu hranu u zamrzivač. Ostavite da se prvo ohladi.

Nemojte – Stavljati boce napunjene tečnošću li zapečaćene limenke koje sadrže gazirane tečnosti u zamrzivač jer mogu puknuti.

Nemojte – Čuvati otrovne ili opasne materije su zamrzivaču. Vaš zamrzivač je dizajniran samo za skladištenje jestivih namirnica.

Nemojte – Konzumirati sladoled i zaleđenu vodu direktno iz zamrzivača. Niska temperatura može izazvati „promrzline“ na usnama.

Nemojte – Zamrzavati gazirana pića.

Nemojte – Pokušati da zadržite smrznutu hranu koja se odledila, treba je pojesti u roku od 24 sata ili skuvati i ponovo zalediti.

Nemojte – Uklanjati predmete iz zamrzivača mokrim rukama.

Nemojte – Zatvarati poklopac silom. Oštetićete aparat.

• Ovaj uređaj nije namenjen da ga koriste osobe (uključujući decu) sa smanjenim fizičkim, senzornim mentalnim sposobnostima ili nedostatkom iskustva i znanja, osim ako su pod nadzorom ili su dobila uputstva u vezi sa upotrebom aparata od osobe odgovorne za njihovu bezbednost.

• Deca treba da budu pod nadzorom kako biste osigurali da se ne igraju sa uređajem.

• Ne čuvajte eksplozivne supstance, kao što su konzerve aerosola, sa zapaljivim pogonskim gasom u ovom uređaju.

• Ovaj uređaj ima za cilj da se koristi u domaćinstvu i sličnim primenama kao što su područja kuhinja za osoblje u prodavnicama, kancelarijama i drugim radnim okruženjima na farmama i od strane klijenata u hotelima, motelima i drugim tipovima stambenih okruženja; ugostiteljskim okruženjima koja nude noćenje sa doručkom i sličnim primenama koje nisu maloprodaja.

• Ako je mrežni kabl oštećen, mora da ga zameni proizvođač, radnik servisne službe ili slično kvalifikovana lica kako bi se izbegla opasnost.

Promena lampe

Frižider koristi LED lampu za osvetljenje. Ona ima nisku potrošnju energije i dug radni vek. U slučaju bilo kakvih abnormalnosti, obratite se postprodajnom osoblju kako bi vas posetili radi servisa. Samo proizvođač može da menja lampe.

Tip lampe: LED svetlo.

Nivo energetske efikasnosti: F

ELEKTRIČNE INFORMACIJE

UREĐAJ MORA BITI UZEMLJEN.

Ovaj uređaj je opremljen sa spojenim trolpolnim utikačem za BS 1363 koji će biti pogodan za upotrebu u svim kućama opremljenim utičnicama prema trenutnim specifikacijama.

Ako ugrađeni utikač nije pogodan za utičnice, treba ga odrezati i pažljivo odložiti. Da biste izbegli moguću opasnost od strujnog udara, nemojte umetati odbačeni utikač u utičnicu.

Ovaj uređaj je usklađen sa Direktivama EEZ:

Pravilno odlaganje ovog proizvoda



Ova oznaka ukazuje na to da ovaj proizvod ne treba odlagati sa drugim komunalnim otpadom iz domaćinstva širom EU. Da biste sprečili moguću štetu po životnu sredinu ili ljudsko zdravlje usled nekontrolisanog odlaganja otpada, reciklirajte ga odgovorno kako biste podstakli održivu ponovnu upotrebu materijalnih resursa. Da biste vratili svoj korišćeni uređaj, koristite sisteme za vraćanje i prikupljanje ili kontaktirajte prodavca gde je proizvod kupljen. On može preuzeti ovaj proizvod za ekološku bezbednu reciklažu.

Upozorenja za odlaganje na otpad

※ Rashladni i materijal od ciklopentanske pene koji se koriste za frižider su zapaljivi. Stoga, kada je frižider je rashodovan, potrebno ga je držati dalje od bilo kog izvora plamena. Potrebno je da ga preuzme specijalna kompanija za odlaganje na otpad sa odgovarajućim kvalifikacijama. Ne sme da se odlaže sagorevanjem, kako bi se sprečilo oštećenje životne sredine ili bilo koja druga šteta.

※ Kada je frižider rashodovan, skinite vrata i uklonite zaptivku za vrata i police; stavite vrata i police na odgovarajuće mesto, kako biste sprečili da deca budu zaglavljena unutra.

pristup profesionalnoj popravci, kao što su internet veb-stranice, adrese, kontakt detalji;

Lista servisnih stanica nakon prodaje:

Adresa	
Broj za kontakt	
Veb-lokacija	
QR kod	

Napomena: Adresa ili broj telefona za kontakt servisne lokacije podleže promenama bez prethodne najave. Potvrdite da li je servisna stanica direktno povezana sa našom kompanijom kada su potrebne te usluge.

relevantne informacije za naručivanje rezervnih delova, direktno ili putem drugih kanala koje obezbeđuju proizvođač, uvoznik ili ovlašćeni predstavnik;

minimalni period tokom kojeg su dostupni rezervni delovi neophodni za popravku uređaja;

uputstva o tome kako pronaći informacije o modelu u bazi podataka proizvoda, kako je definisano u Uredbi (EU) 2019/2019 putem veb-veze koja vodi do informacija o modelu koji se čuva u bazi podataka proizvoda ili vezom ka bazi podataka proizvoda i informacije o tome kako pronaći identifikator modela na proizvodu.)