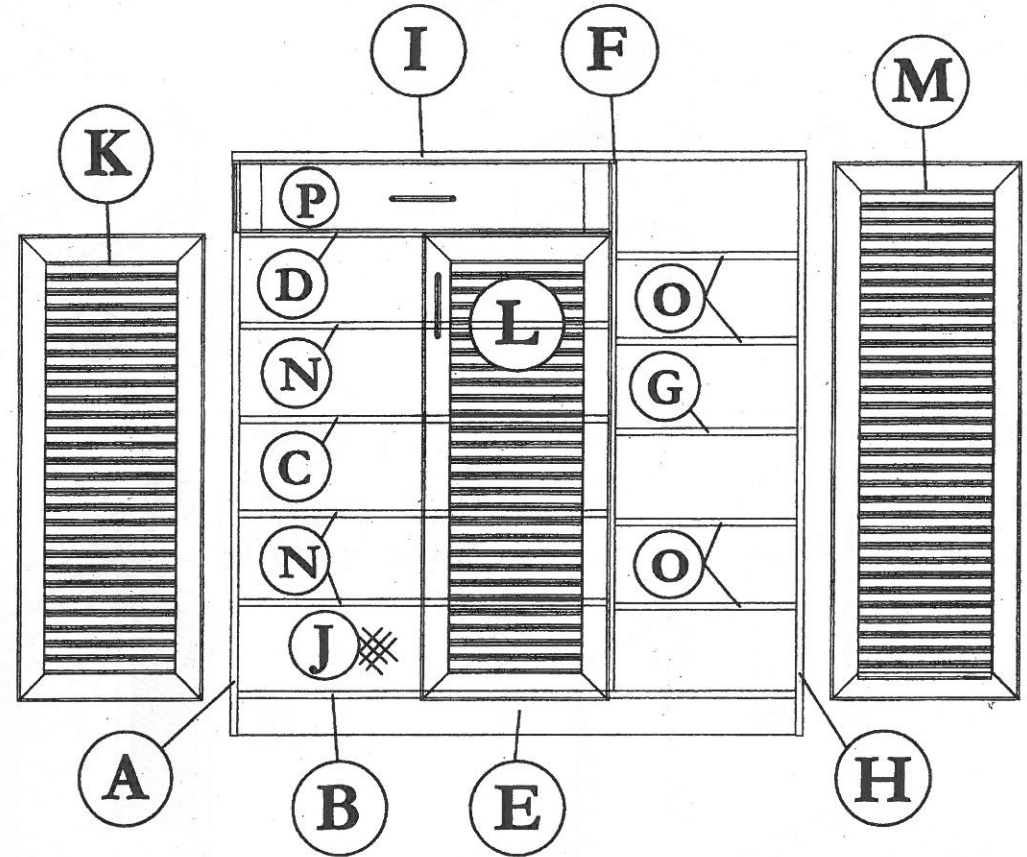
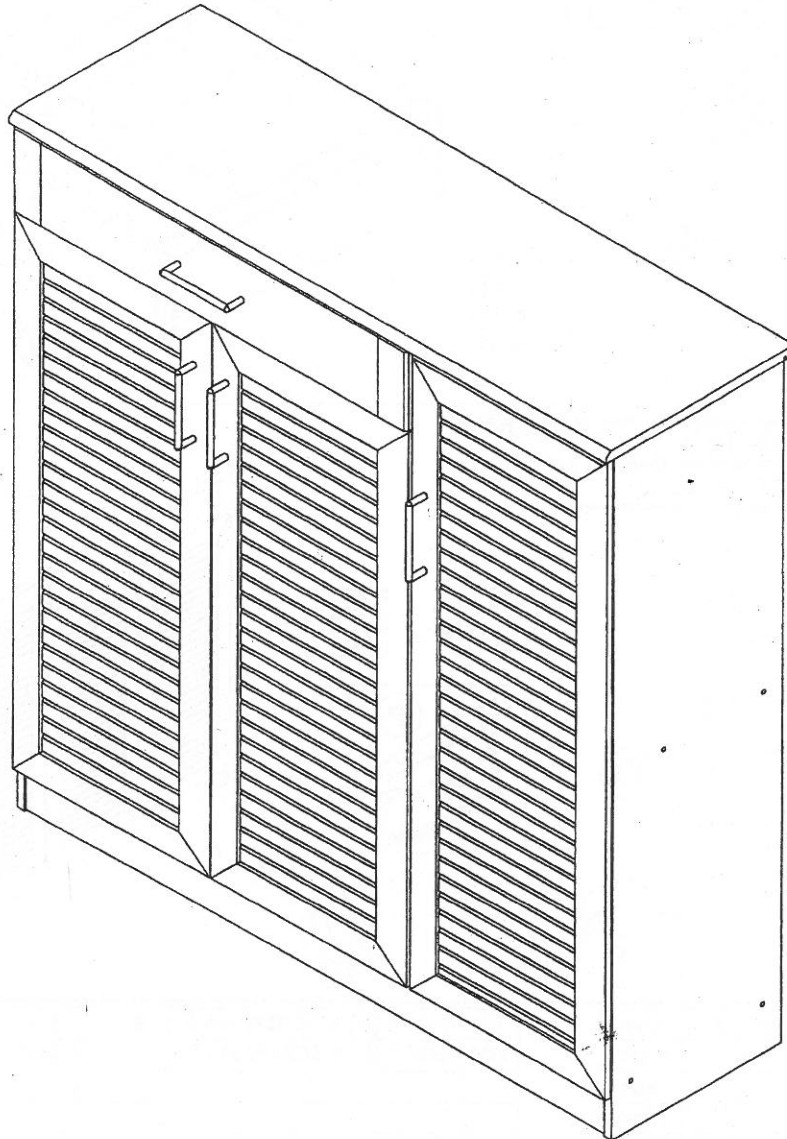


CAUTION:

To clean use soft, dry cloth. Do not use detergent or chemicals
Avoid contact with water and direct sunlight.
To be assembled on a soft, dry, clean and smooth surface.

ORDERING REPAIR PARTS

In order to obtain smooth and rapid service when ordering repair parts,
please give full attention to the following of PART NUMBER.



COMPLETE SET

NO	DESCRIPTION	QTY
A	LEFT SIDE	01
B	LOWER SHELF	01
C	CENTRE SHELF (LEFT)	01
D	HORIZONTAL SHELF	01
E	LEG	02
F	CENTRE VERTICAL	01
G	CENTRE SHELF (RIGHT)	01
H	RIGHT SIDE	01
I	TOP	01

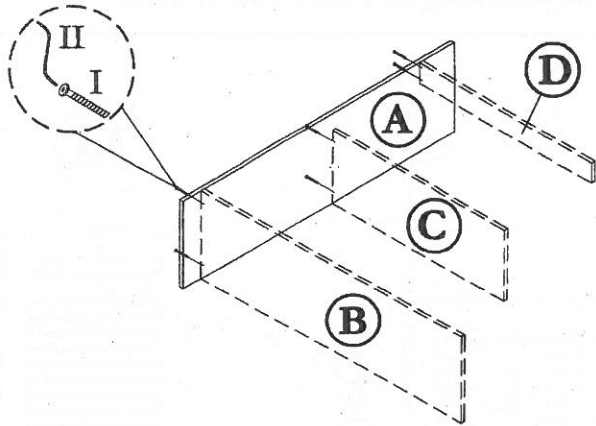
NO	DESCRIPTION	QTY
J	BACK	03
K	LEFT SIDE DOOR	01
L	CENTRE DOOR	01
M	RIGHT SIDE DOOR	01
N	MOVABLE SHELF (LEFT)	03
O	MOVABLE SHELF (RIGHT)	04
P	DRAWER FACE	01

ASSEMBLY INSTRUCTION

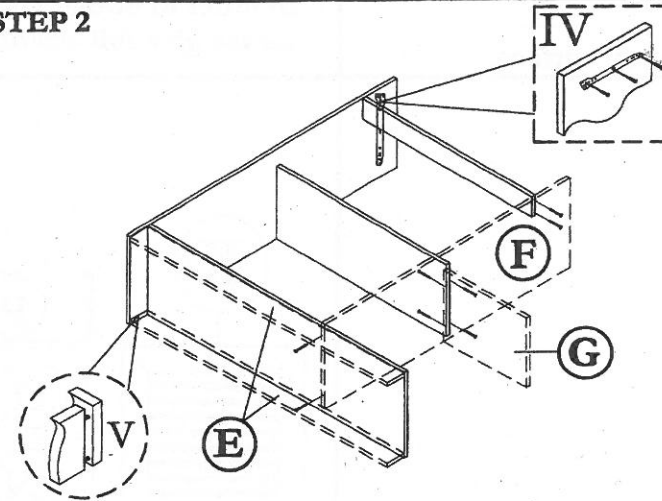
MODEL : 7049 / SHOE RACK

Before you begin, please follow assembly instruction carefully.
Then follow them step by step.

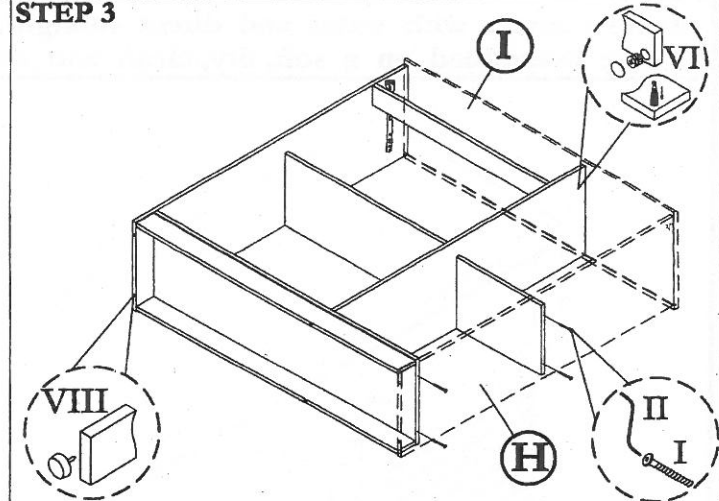
STEP 1



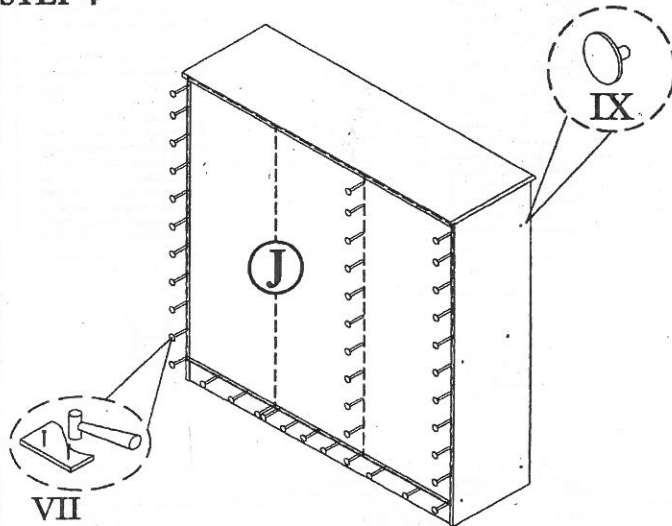
STEP 2



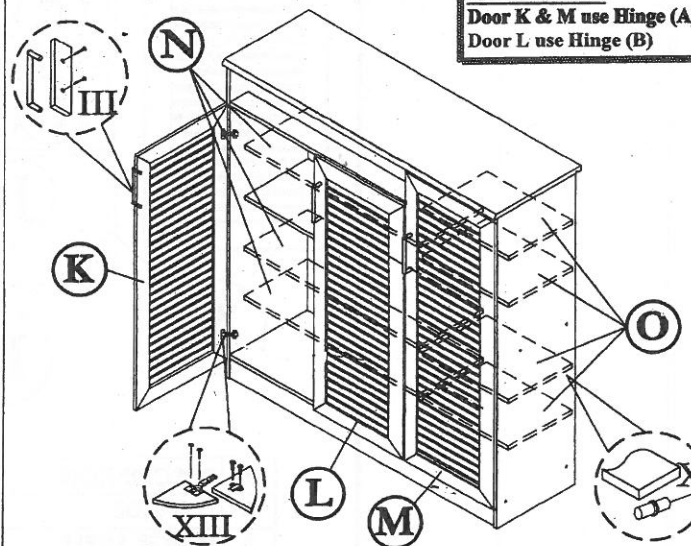
STEP 3



STEP 4

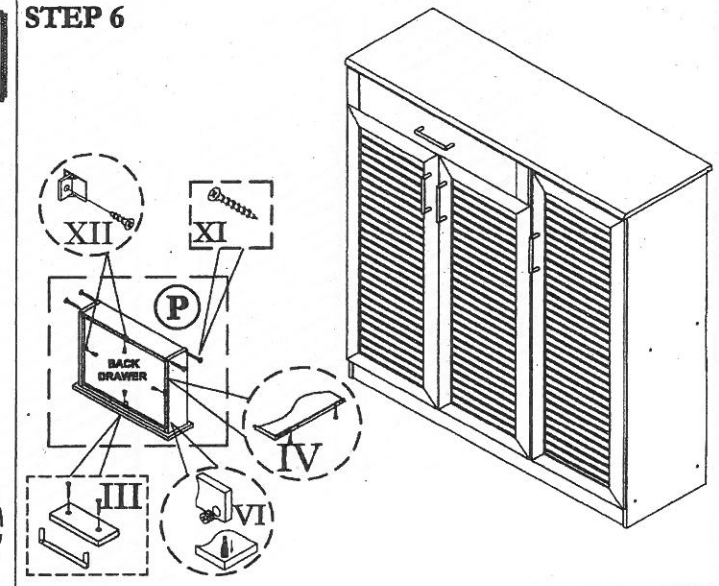


STEP 5



ATTENTION
Door K & M use Hinge (A)
Door L use Hinge (B)

STEP 6



HARDWARE LIST			
NO	DESCRIPTION		QTY
I	JCBCW SCREW M6 x 45		18pcs
II	M4 ALLEN KEY		1pc
III	HANDLE & SCREW M3.5 x 30		4sets
IV	DRAWER SLIDER & SCREW M3.5 x 12		1sets
V	M8 x 30 PLASTIC DOWEL		8pcs

VI	Q-FIT		10sets
VII	NAIL		60pcs
VIII	PVC NAIL WITH PIN		6pcs
IX	CAP SMALL		10pcs
X	PVC SHELF SUPPORT		28pcs
XI	M8 x 32 CHIPBOARD SCREW		4pcs
XII	DRAWER SUPPORT & SCREW M3.5 x 12		4sets

XIII	HINGE (A) & SCREW M3.5 x 16		4sets
XIV	HINGE (B) & SCREW M3.5 x 16		2sets