

# F6

Before starting the assembly need to



1 Person



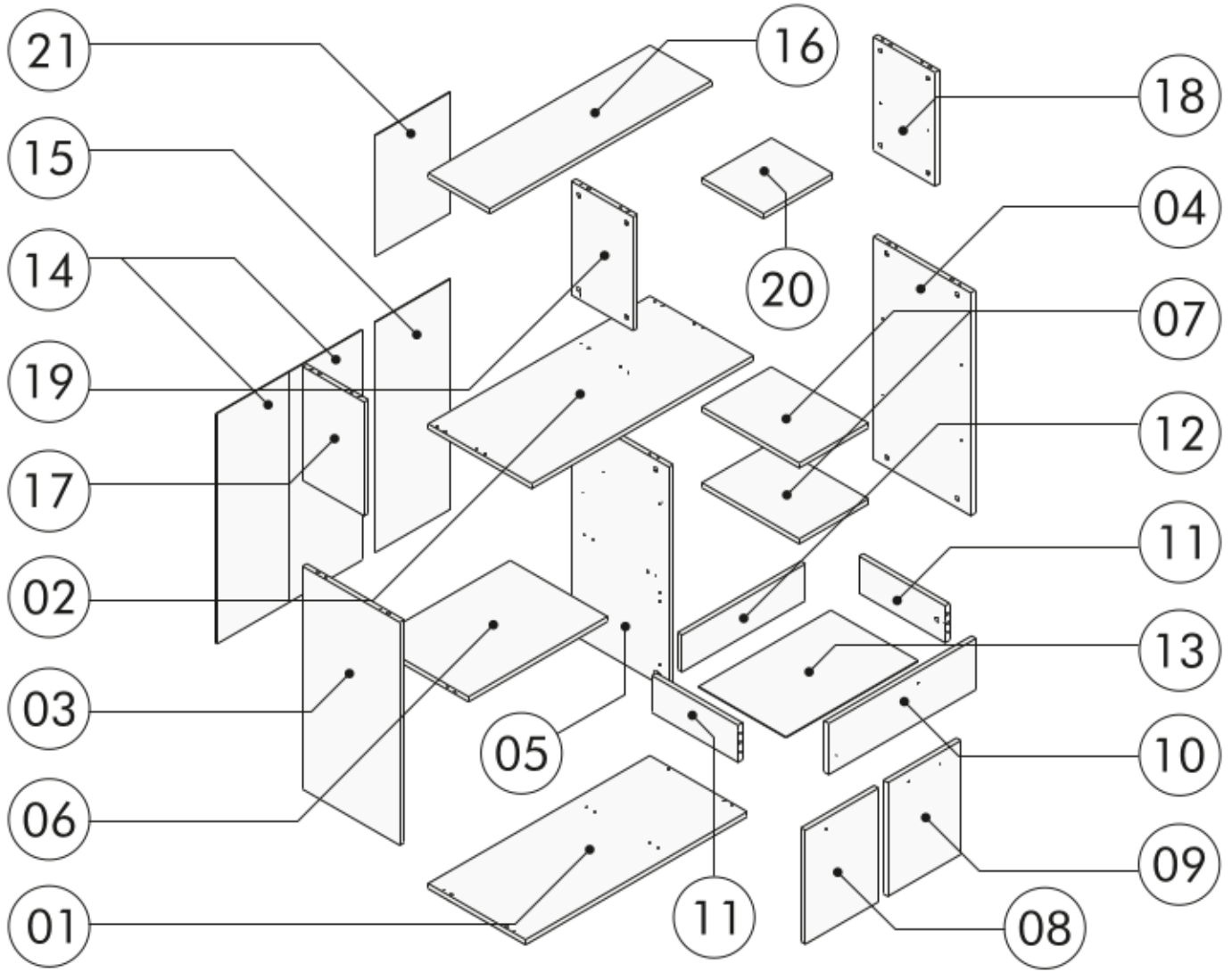
Philips Screwdriver



Hammer



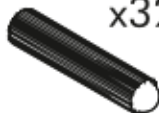


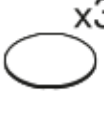
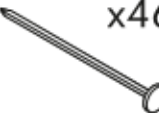





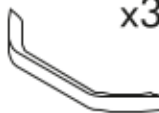

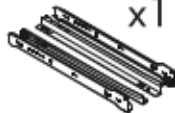
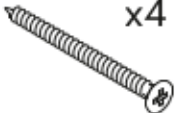
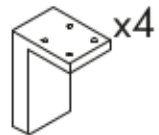
Drill



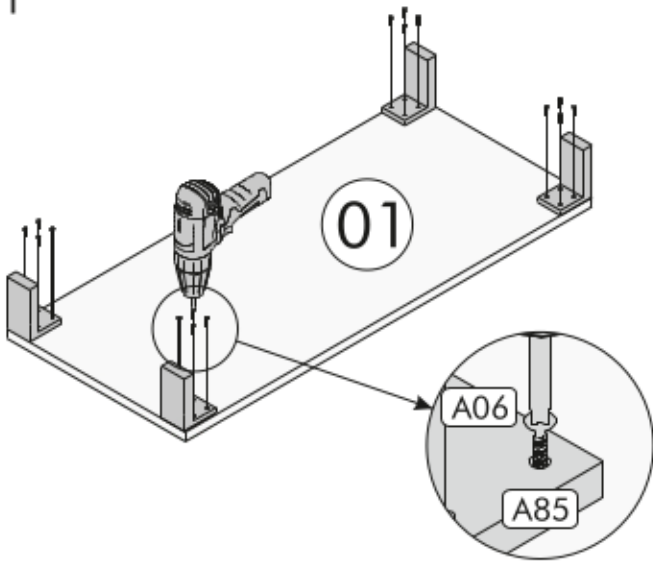
LIST OF PART

LIST OF ACCESSORY

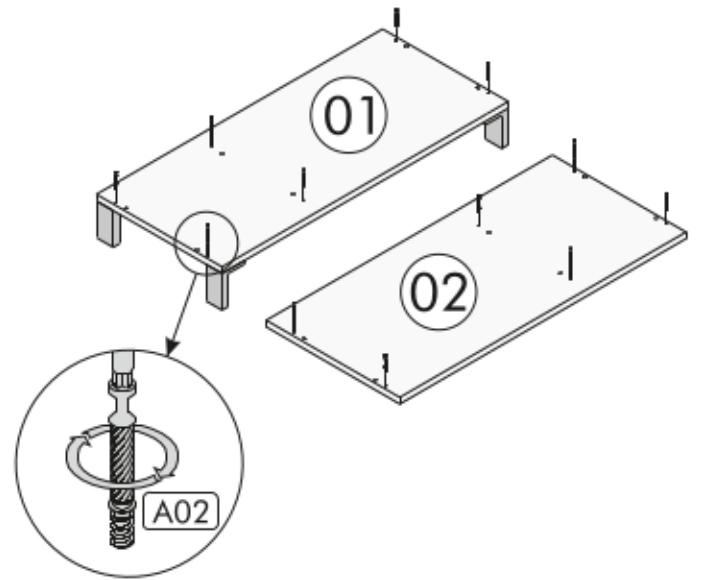
Code	Dimension	Pieces
01	90 x 39.5 x 1.8 cm	1
02	90 x 42 x 1.8 cm	1
03	39.5 x 78.4 x 1.8 cm	1
04	39.5 x 78.4 x 1.8 cm	1
05	39.5 x 78.4 x 1.8 cm	1
06	56.4 x 39.5 x 1.8 cm	1
07	28.1 x 39.5 x 1.8 cm	2
08	29.7 x 40 x 1.8 cm	1
09	29.7 x 40 x 1.8 cm	1
10	59.8 x 18 x 1.8 cm	1
11	35 x 13 x 1.8 cm	2
12	50.1 x 13 x 1.8 cm	1
13	53.7 x 35.5 x 0.3 cm	1
14	29.5 x 81 x 0.3 cm	2
15	30.5 x 81 x 0.3 cm	1
16	90 x 25 x 1.8 cm	1
17	25 x 40 x 1.8 cm	1
18	25 x 40 x 1.8 cm	1
19	25 x 40 x 1.8 cm	1
20	28.2 x 25 x 1.8 cm	1
21	30.5 x 42.5 x 0.3 cm	1

 x32	 x30	 x30	 x30
A01 Kavela	A02 Mil	A03 Gövde	A09 Tapa
 x46	 x36	 x4	 x4
A05 Arkalık Çivisi	A06 3.5x18	A12 Mentеше Taban	A13 Mentеше
 x12	 x6	 x3	 x4
A10 Raf Pimi	A11 Kulp Vidası	A77 Kulp	A29 Ray Vidası
 x1	 x4	 x4	
A26 Ray 35 cm	A08 4x50	A85 Ayak	

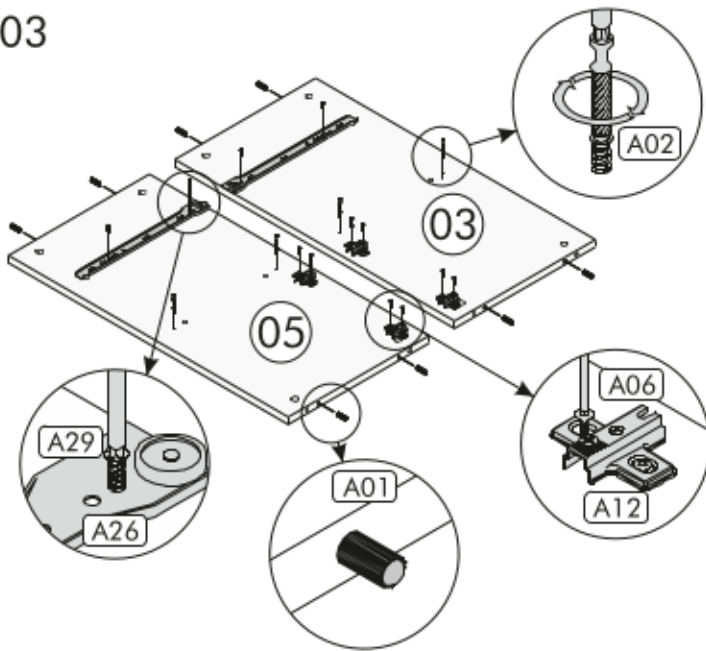
01



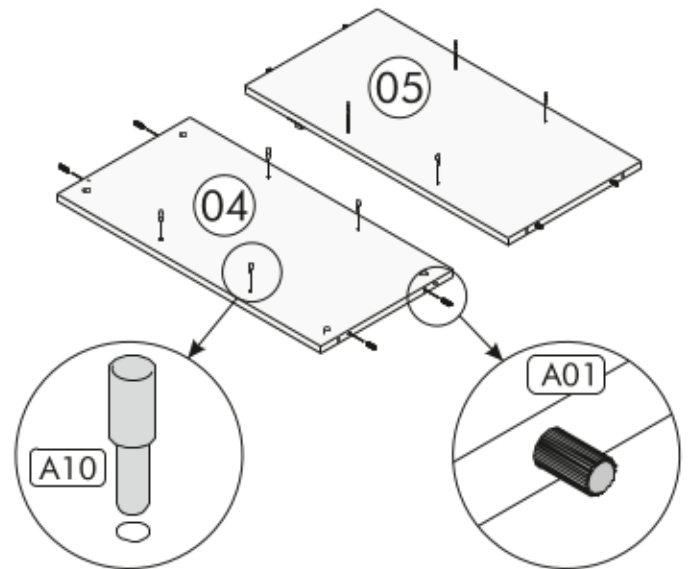
02



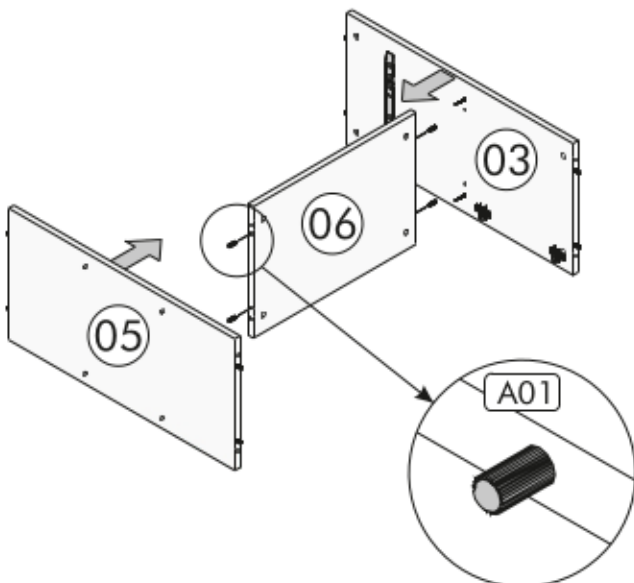
03



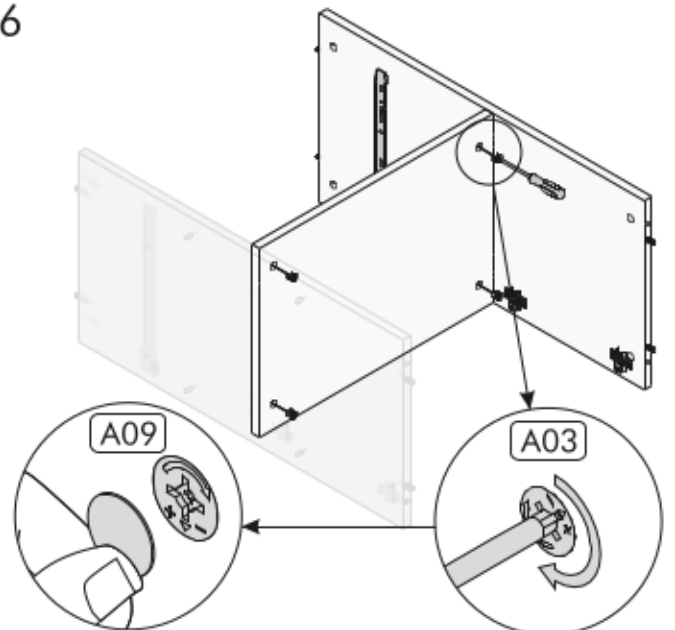
04



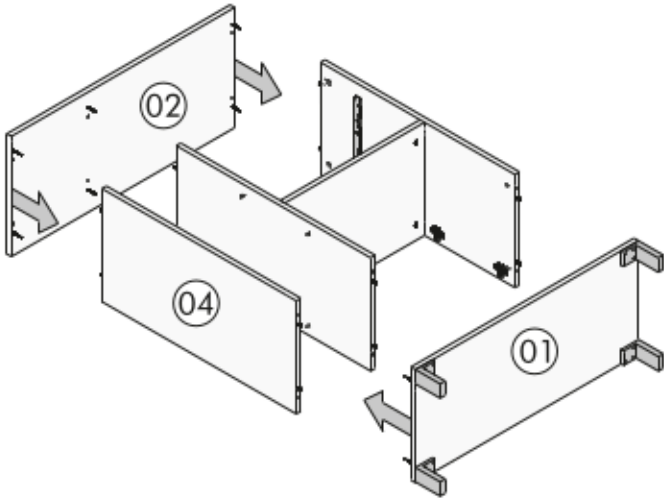
05



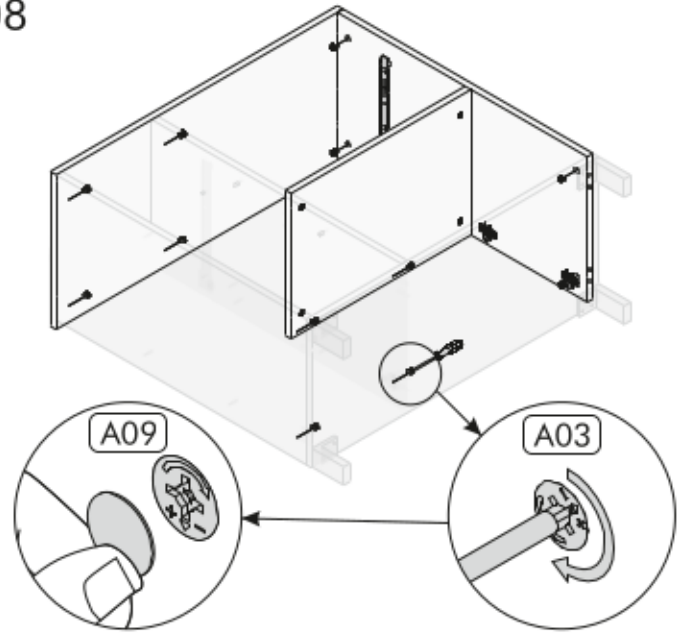
06



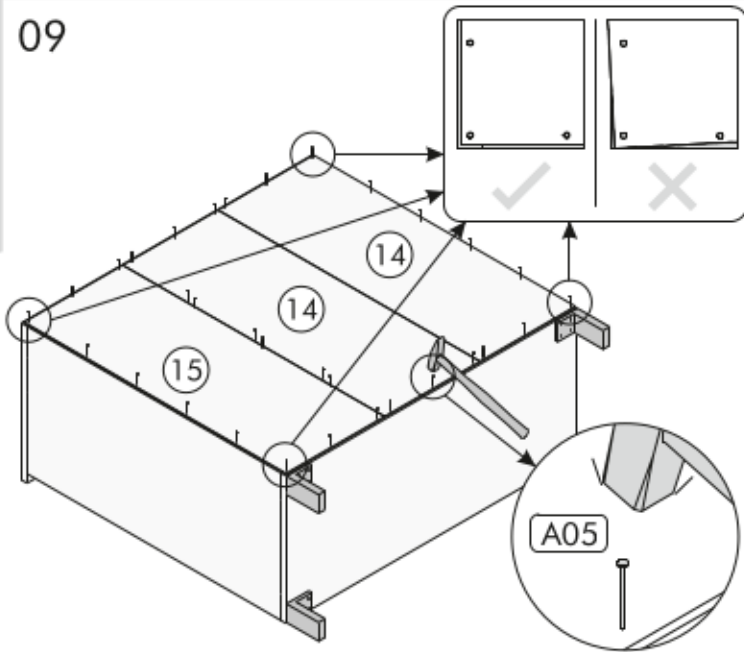
07



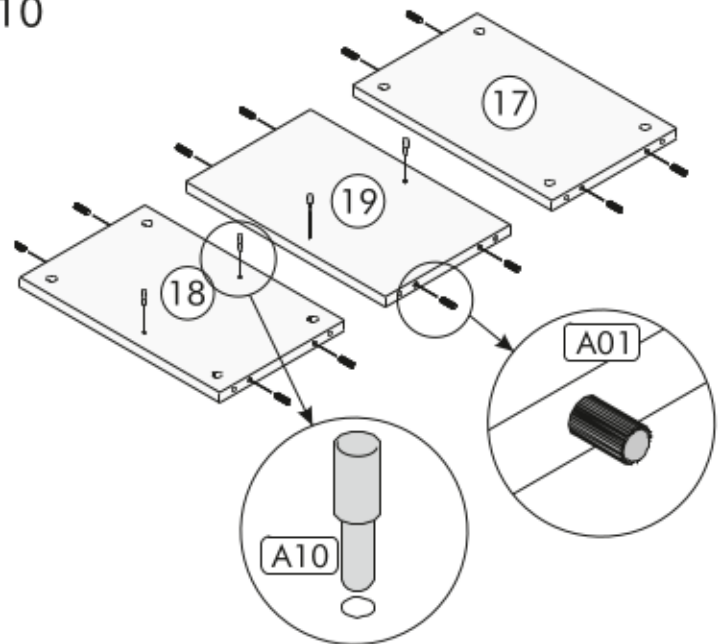
08



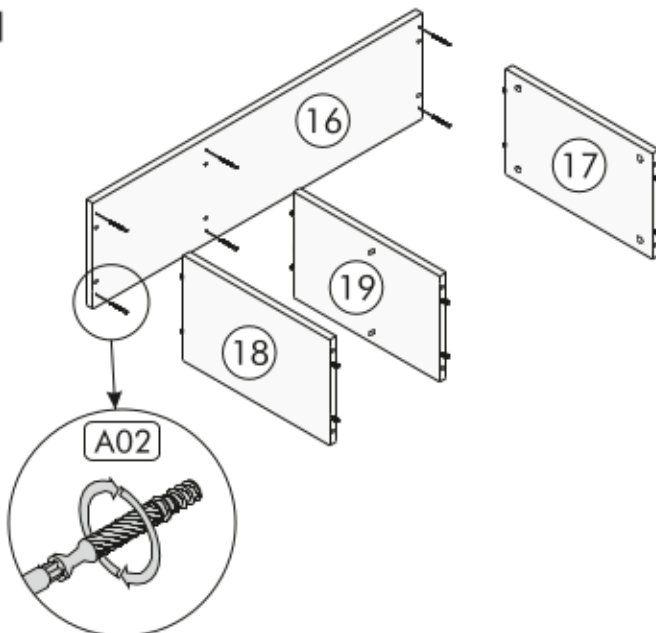
09



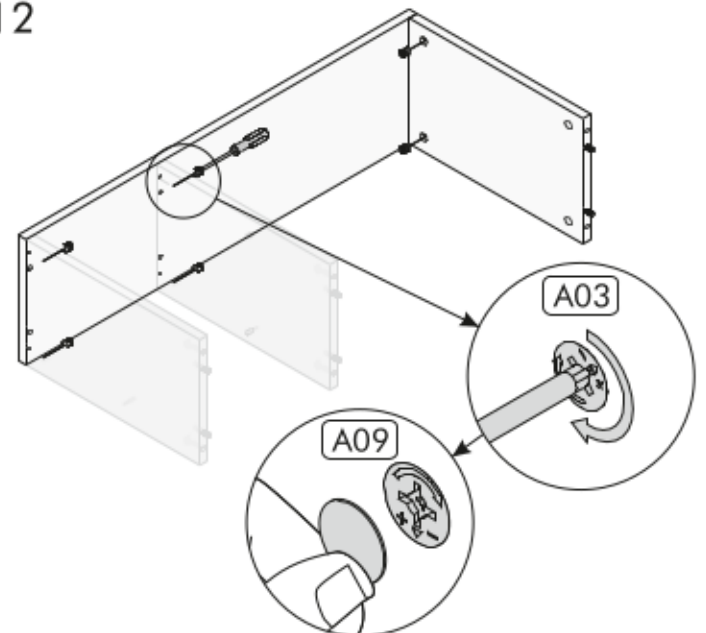
10



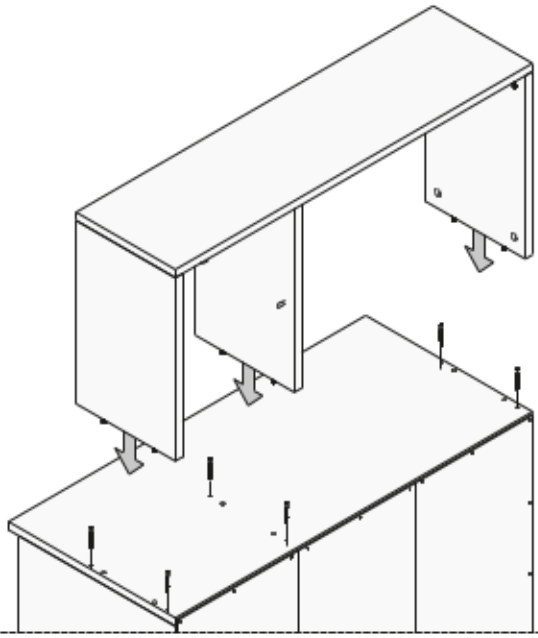
11



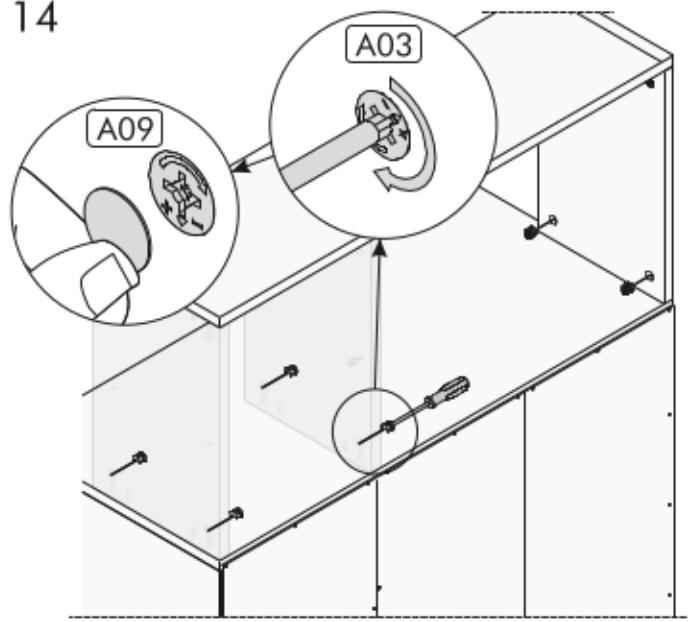
12



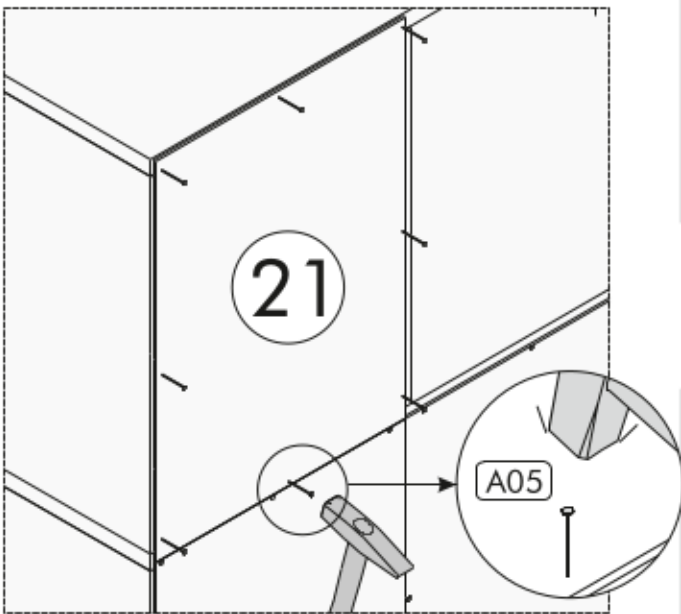
13



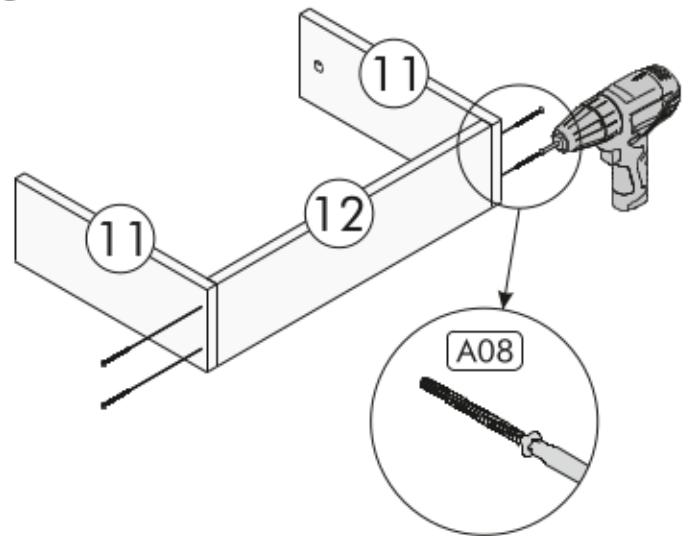
14



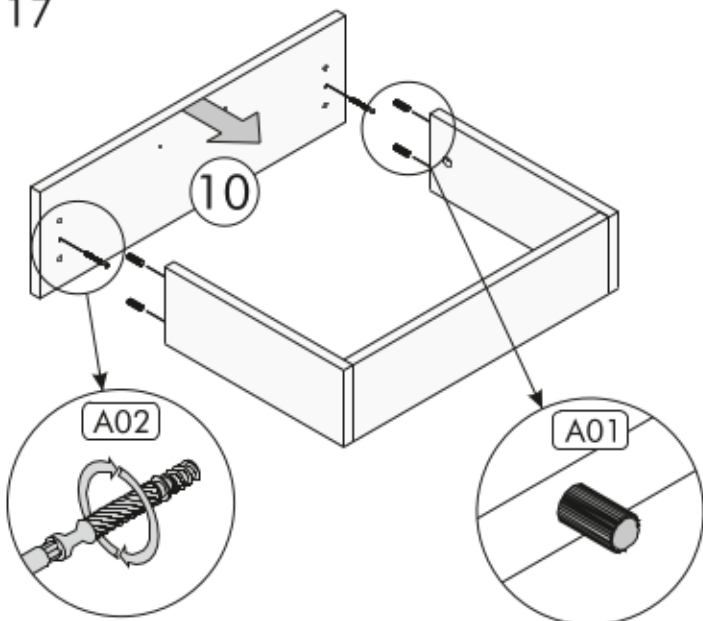
15



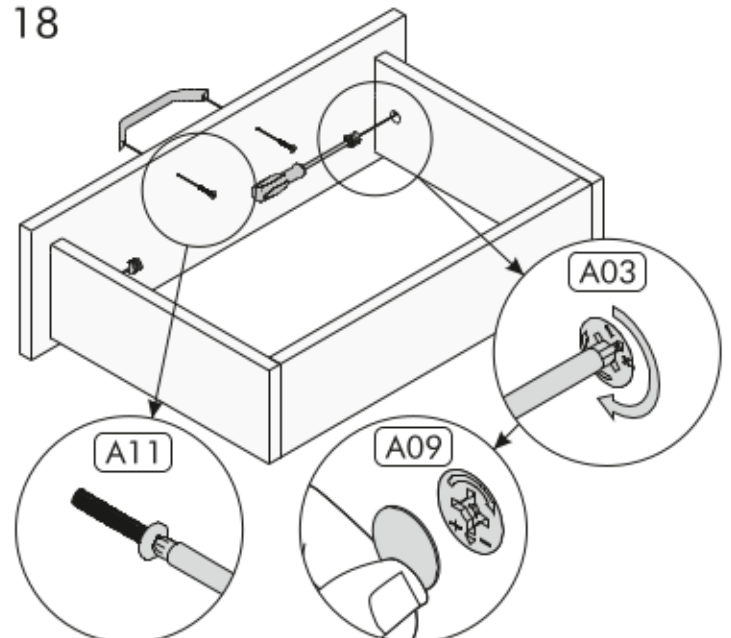
16



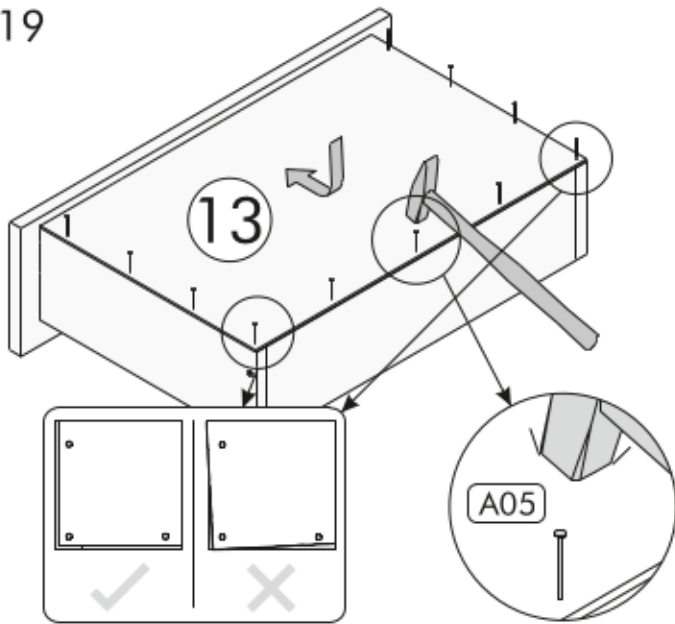
17



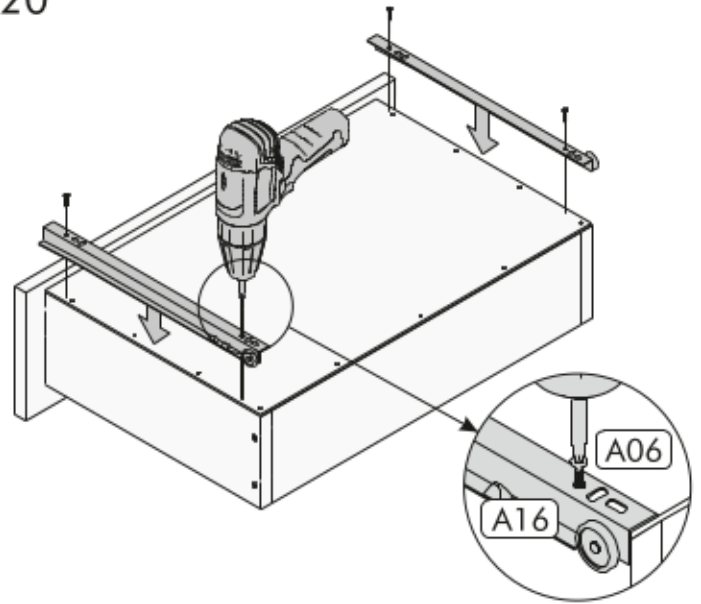
18



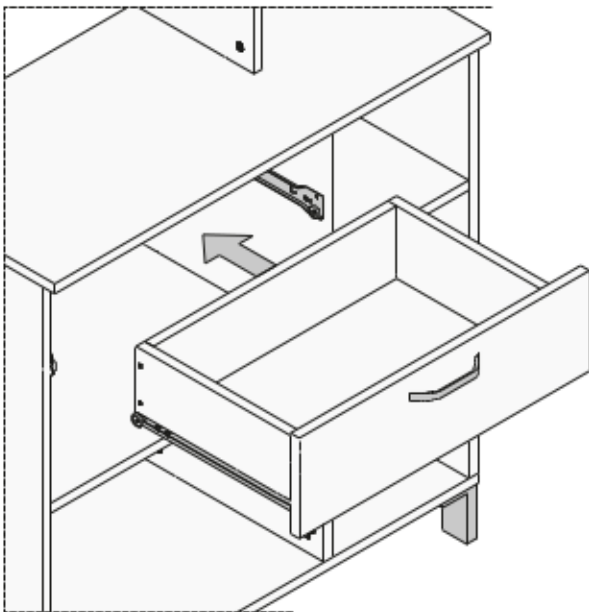
19



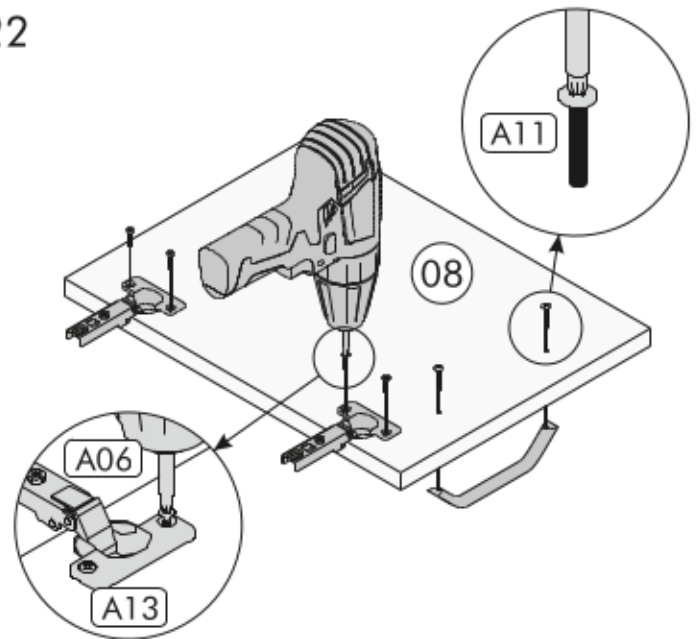
20



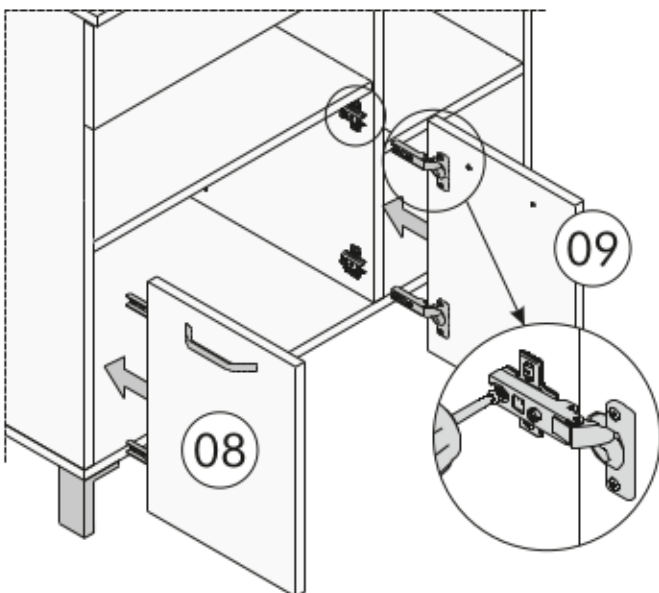
21



22



23



24

DOOR SETTINGS

