






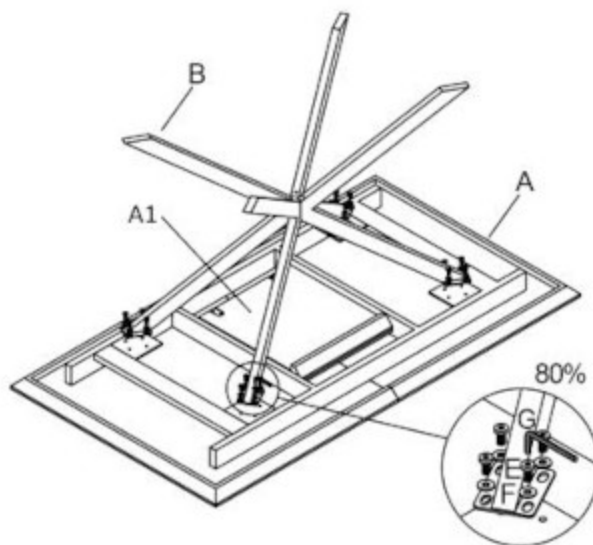




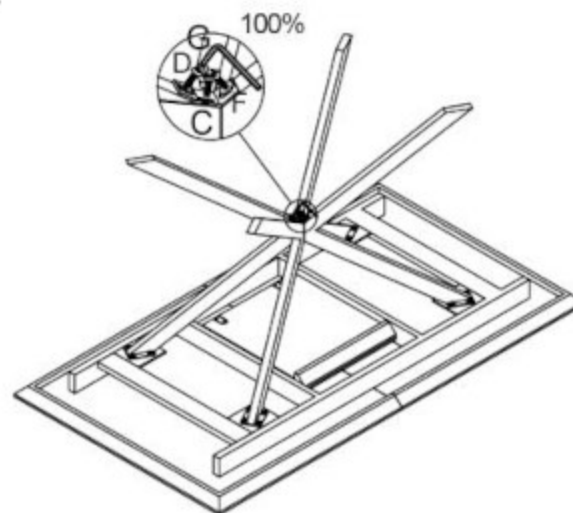
 max. 40 kg

|  |  |   |   |
|--|--|---|---|
| Ax1<br>       | Bx4<br>         |   |   |
| Cx1<br>       | Dx4<br>8x20<br> | Ex16<br>8x16<br> | Fx20<br>8x18<br> |
| Gx1<br><br>5# |  |   |   |

1



2



3

