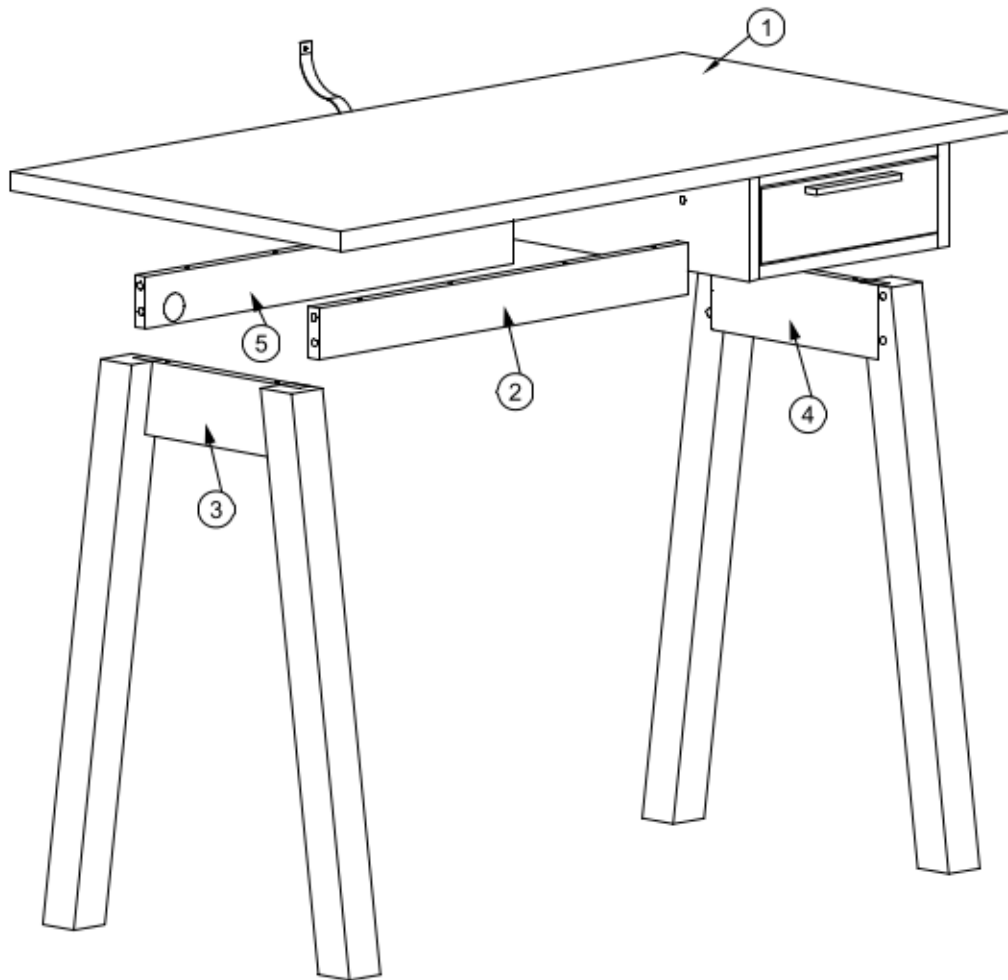












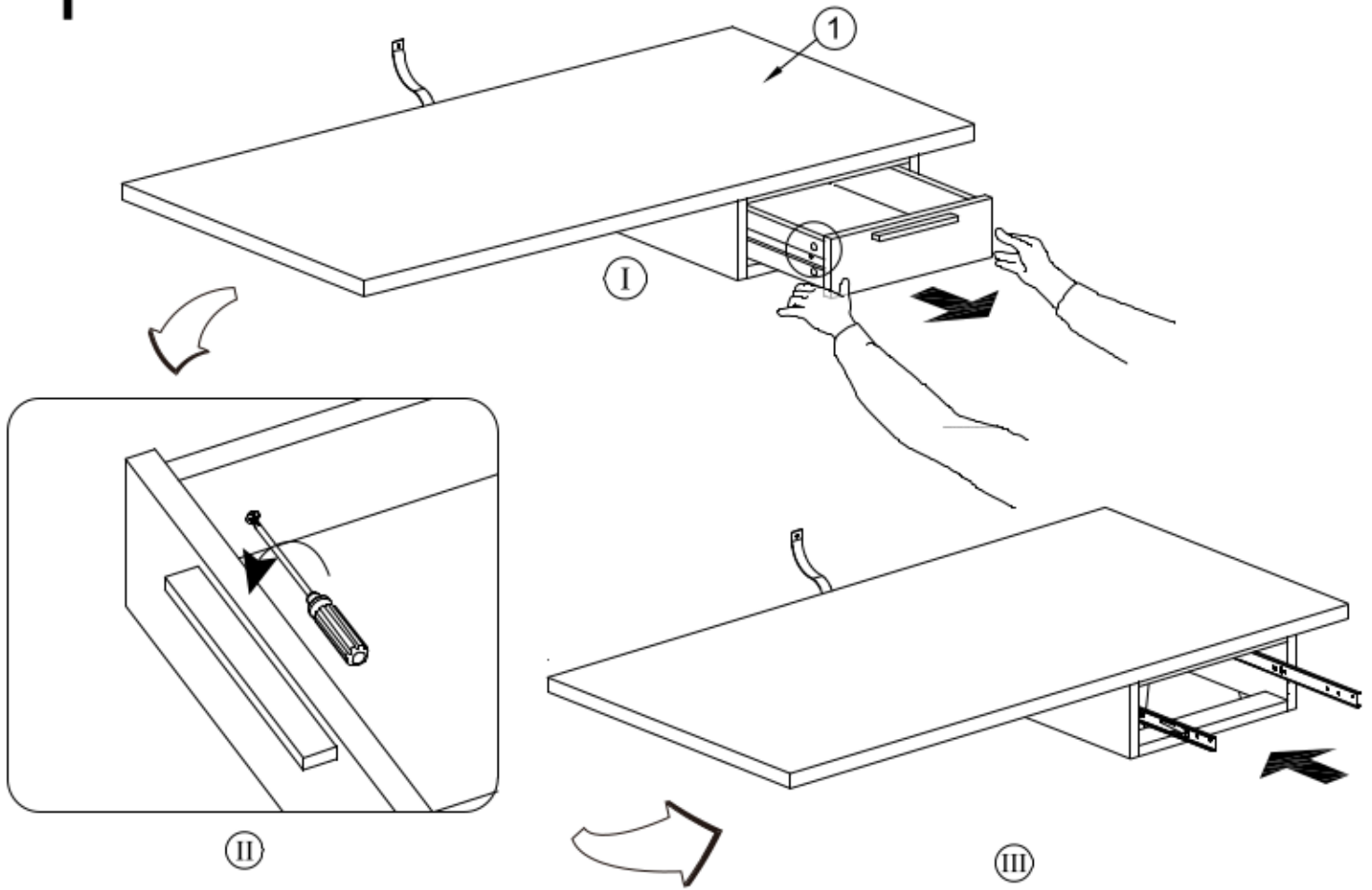


			✓
①	1	1170x580x160	
②	1	642x65x20	
③	1	725x540x54	
④	1	725x540x54	
⑤	1	642x65x20	

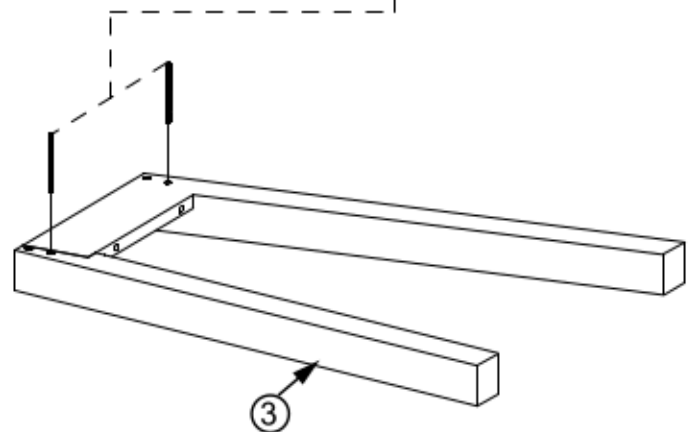
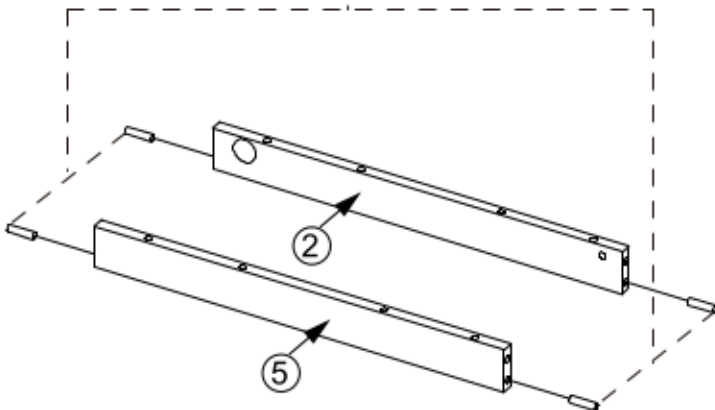
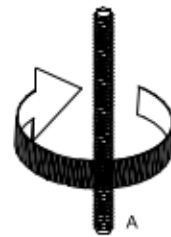
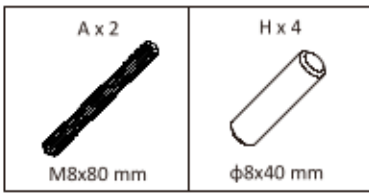


<p>A x 2</p>  <p>M8x80 mm</p>	<p>B x 2</p>  <p>27x14x6 mm</p>	<p>C x 2</p>  <p>$\phi 8/\phi 12$ mm</p>	<p>D x 2</p>  <p>$\phi 8$</p>	<p>E x 2</p>  <p>M8x12 mm</p>
<p>F x 1</p>  <p>12 mm</p>	<p>G x 4</p>  <p>50x50x3 mm</p>	<p>H x 4</p>  <p>$\phi 8$x40 mm</p>	<p>J x 6</p>  <p>M6x40 mm</p>	<p>K x 1</p>  <p>4 mm</p>
<p>L x 10</p>  <p>$\phi 4$x60 mm</p>	<p>M x 2</p>  <p>M6/$\phi 10$x14/5 mm</p>			

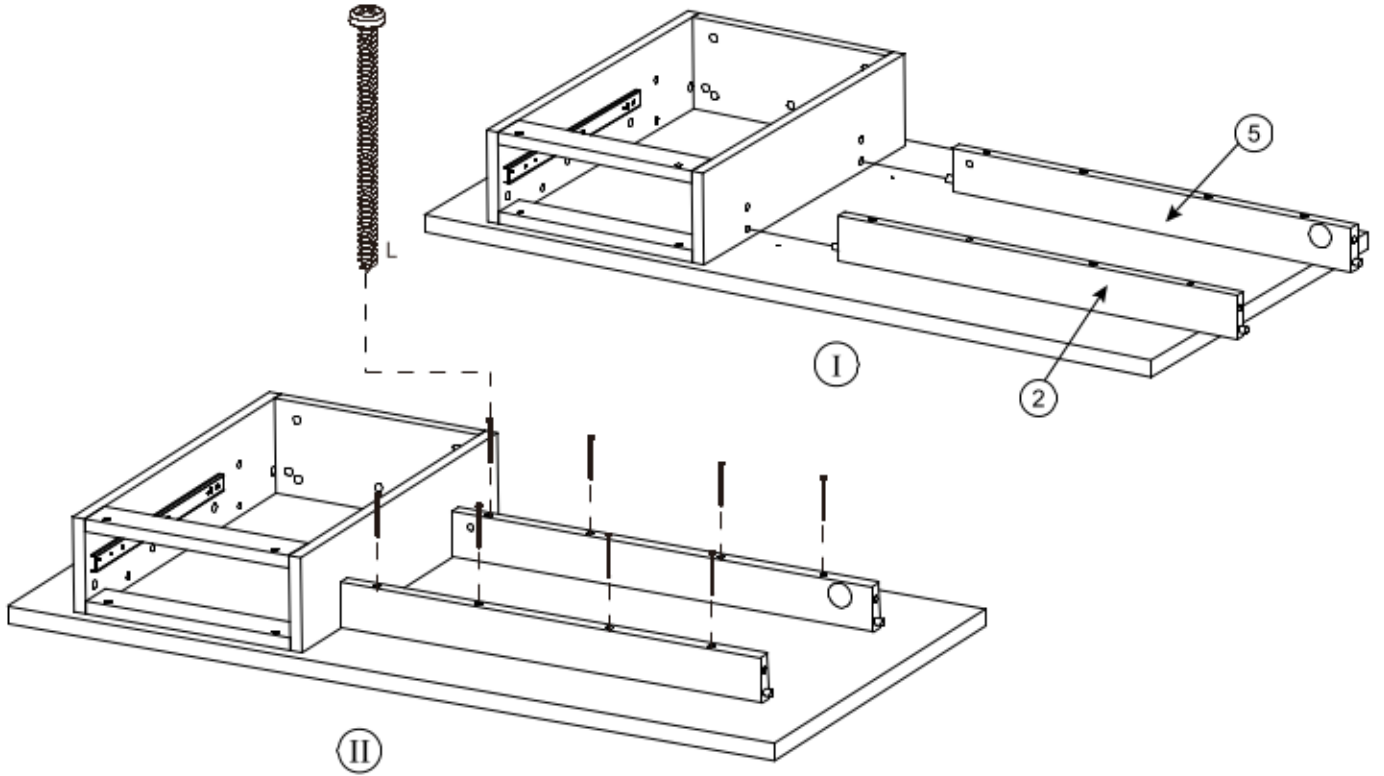
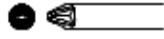
1



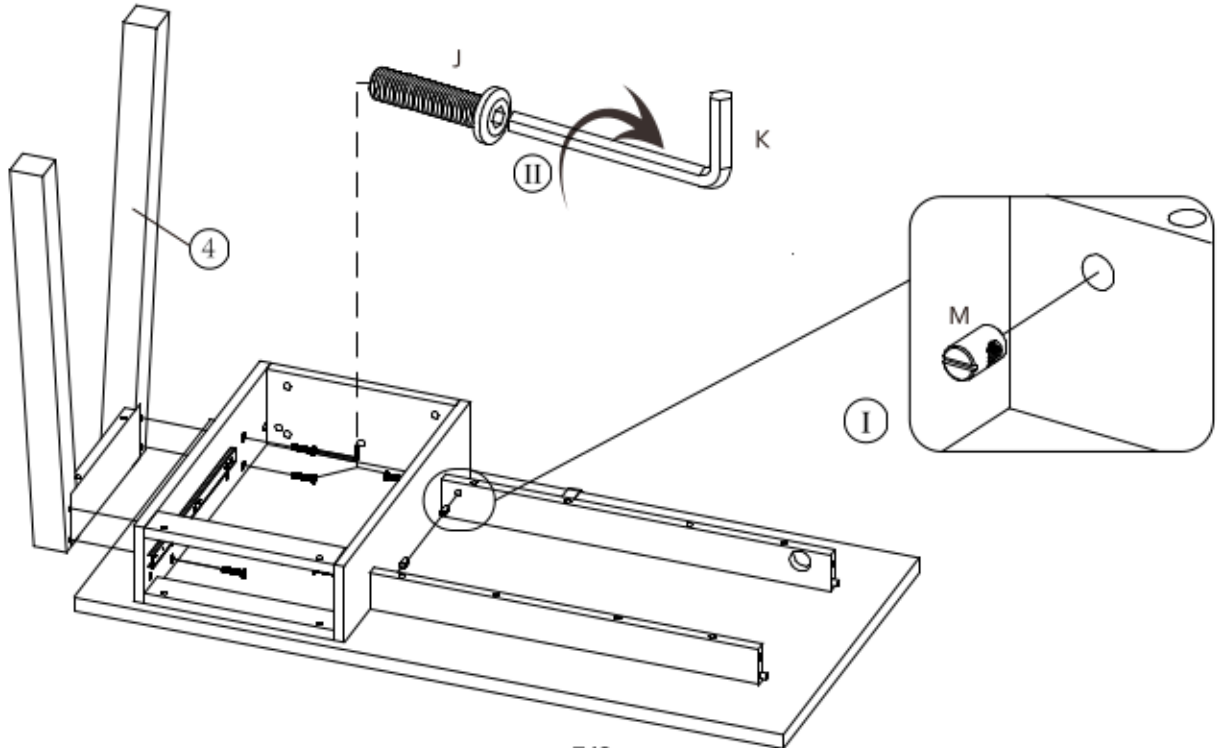
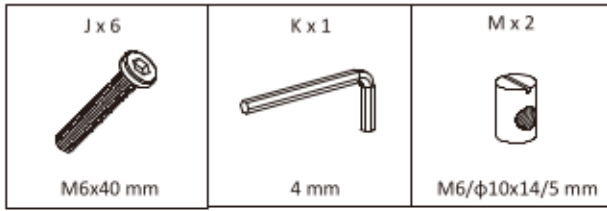
2








3

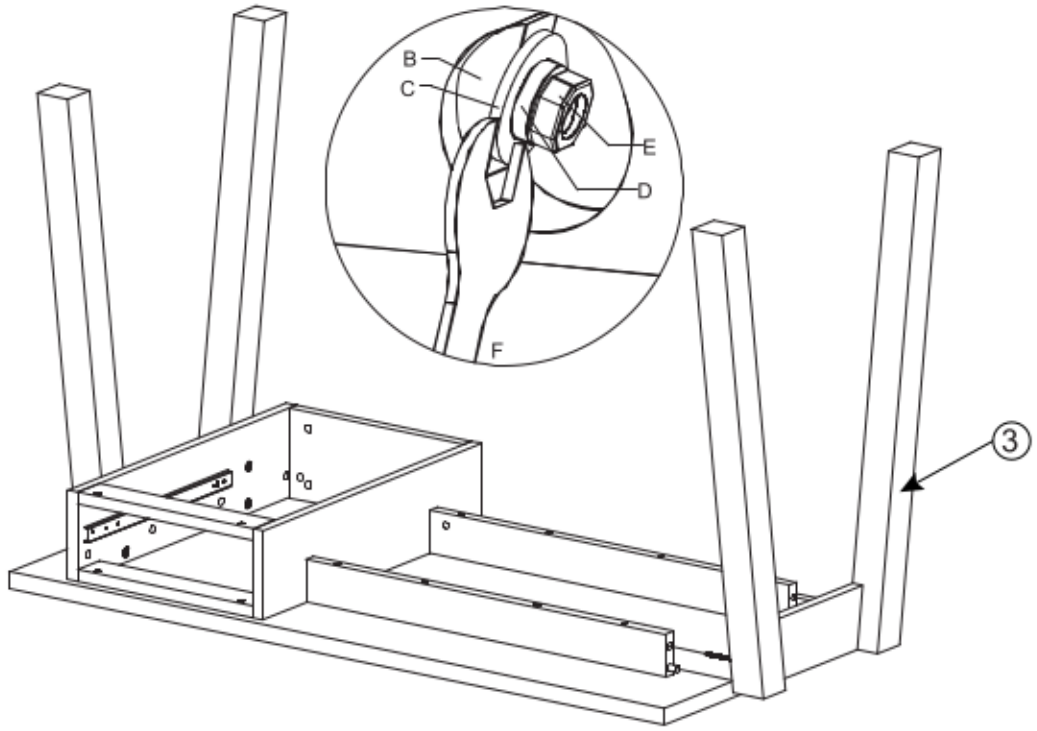


4


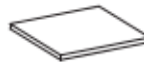


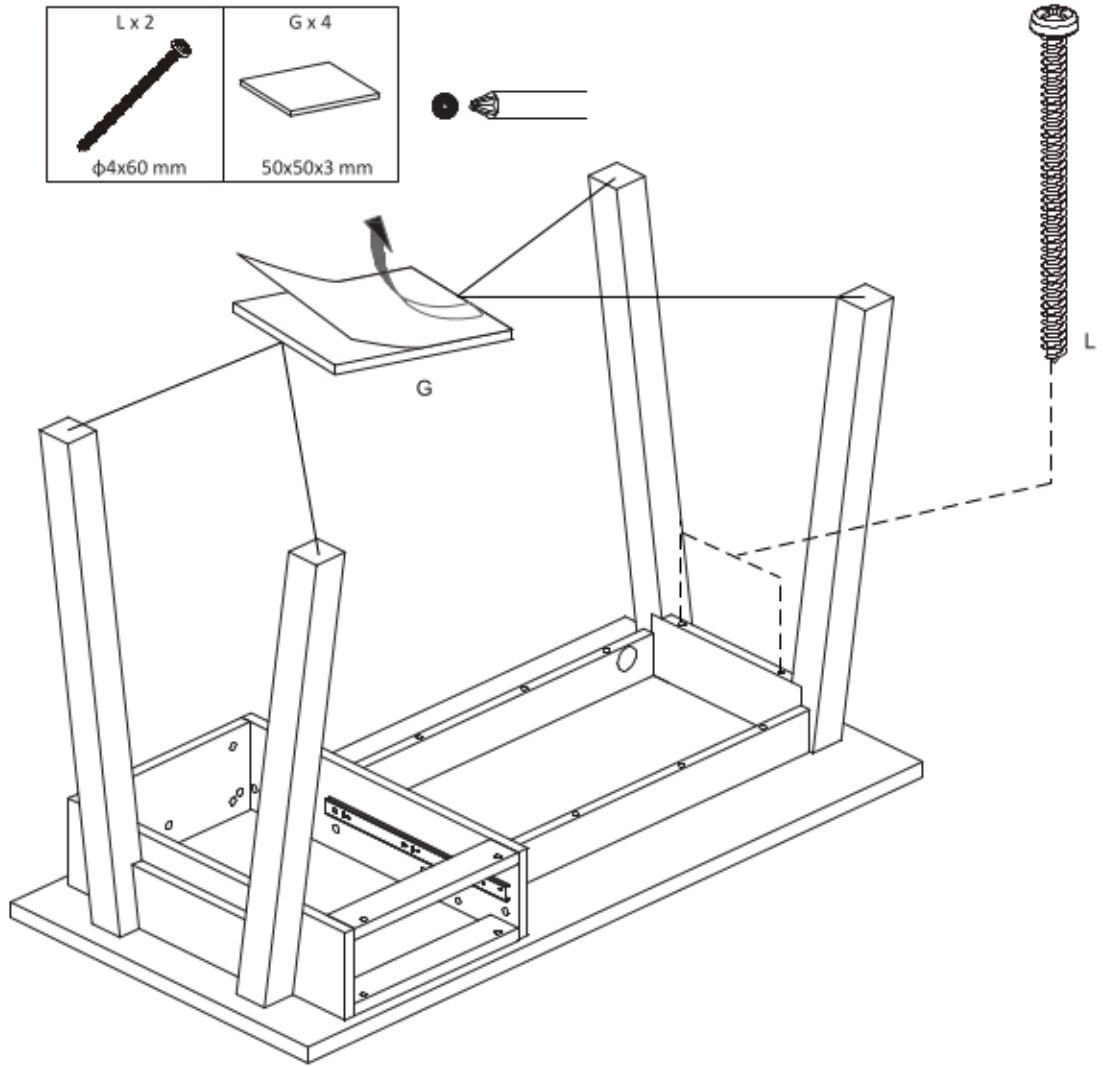
5

B x 2	C x 2	D x 2	E x 2	F x 1
				
27x14x6 mm	φ8/φ14 mm	φ8	M8x12 mm	12 mm

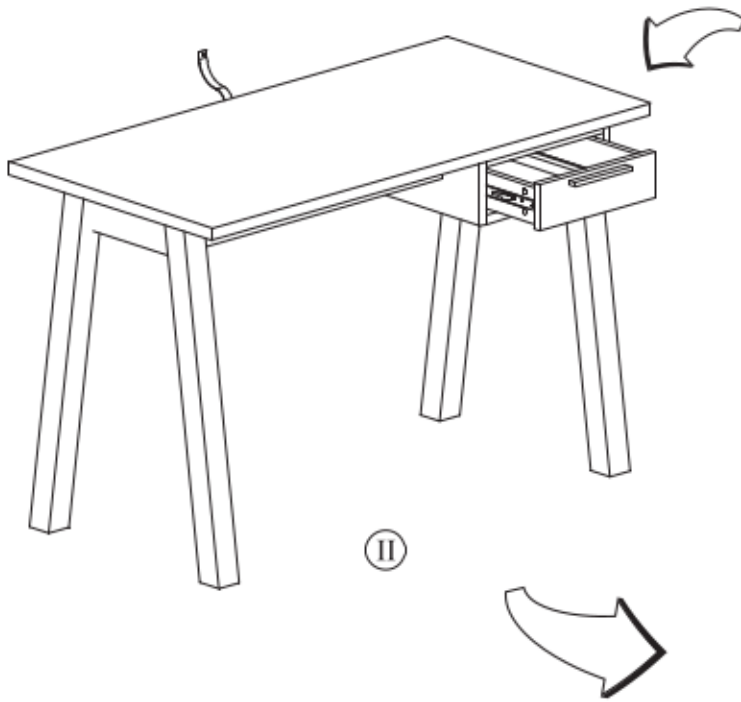


6

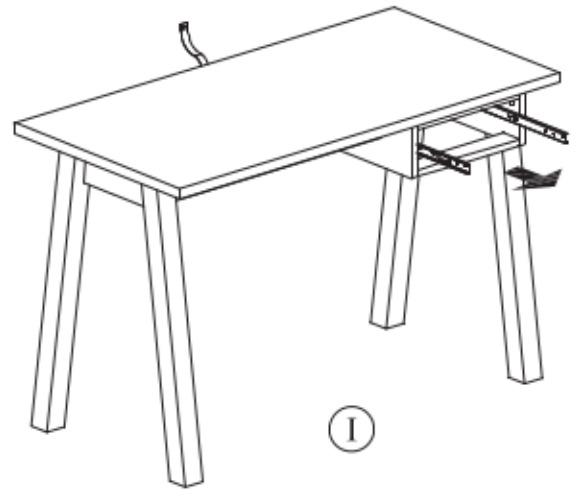
L x 2	G x 4
	
φ4x60 mm	50x50x3 mm



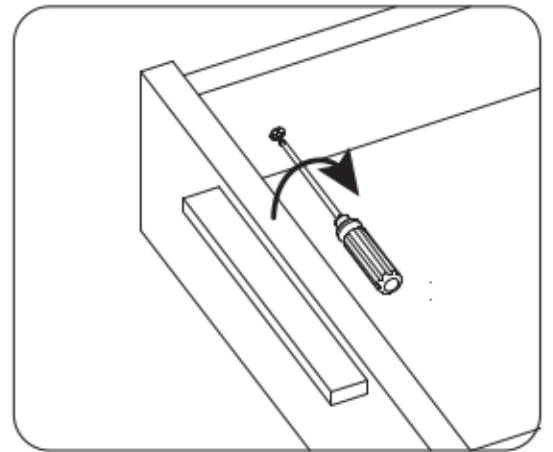
7



II

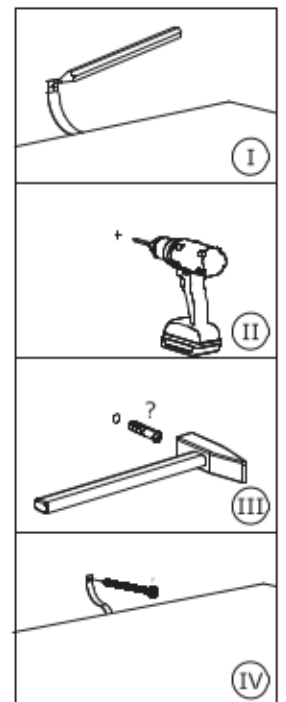
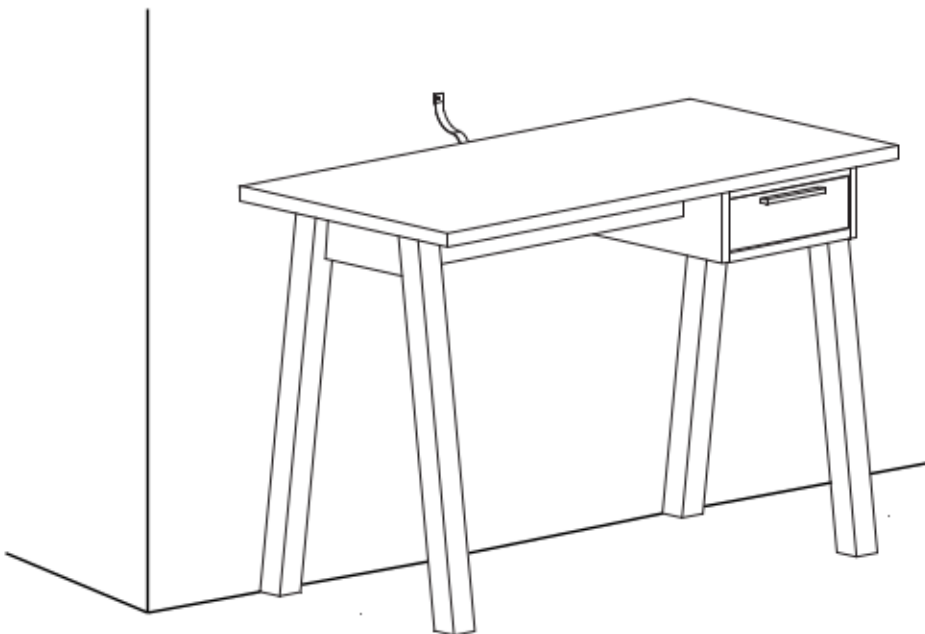


I



III

8



I

II

III

IV

9

