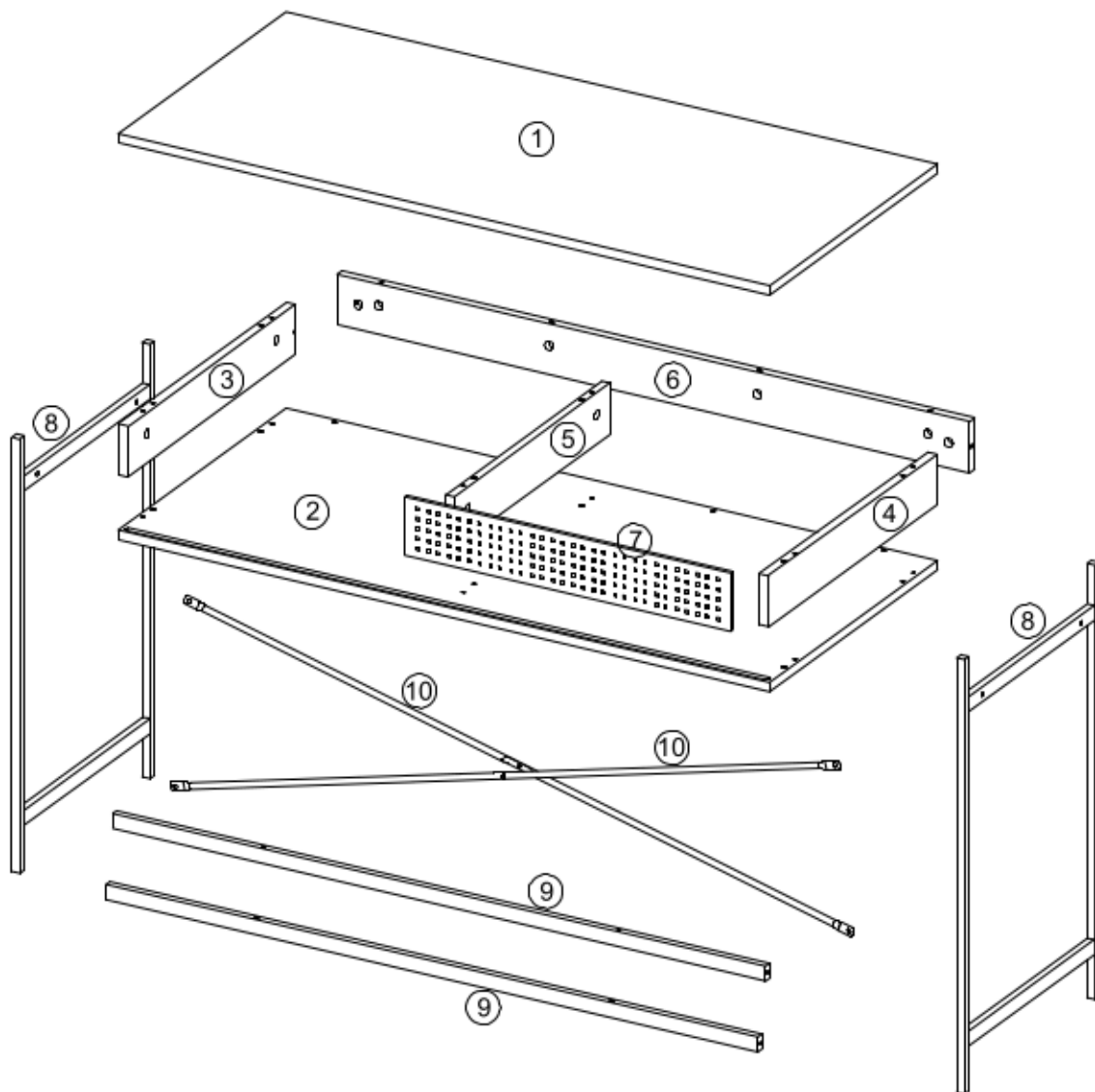



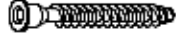








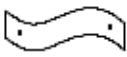



31/05/2021



			✓
①	1	1100x500x15	
②	1	1100x500x15	
③	1	499x82x15	
④	1	499x82x15	
⑤	1	466x82x15	





			✓
⑥	1	1068x82x15	
⑦	1	550x92x6	
⑧	2	700x401x13	
⑨	2	1102x24x12	
⑩	2	1166x10x10	

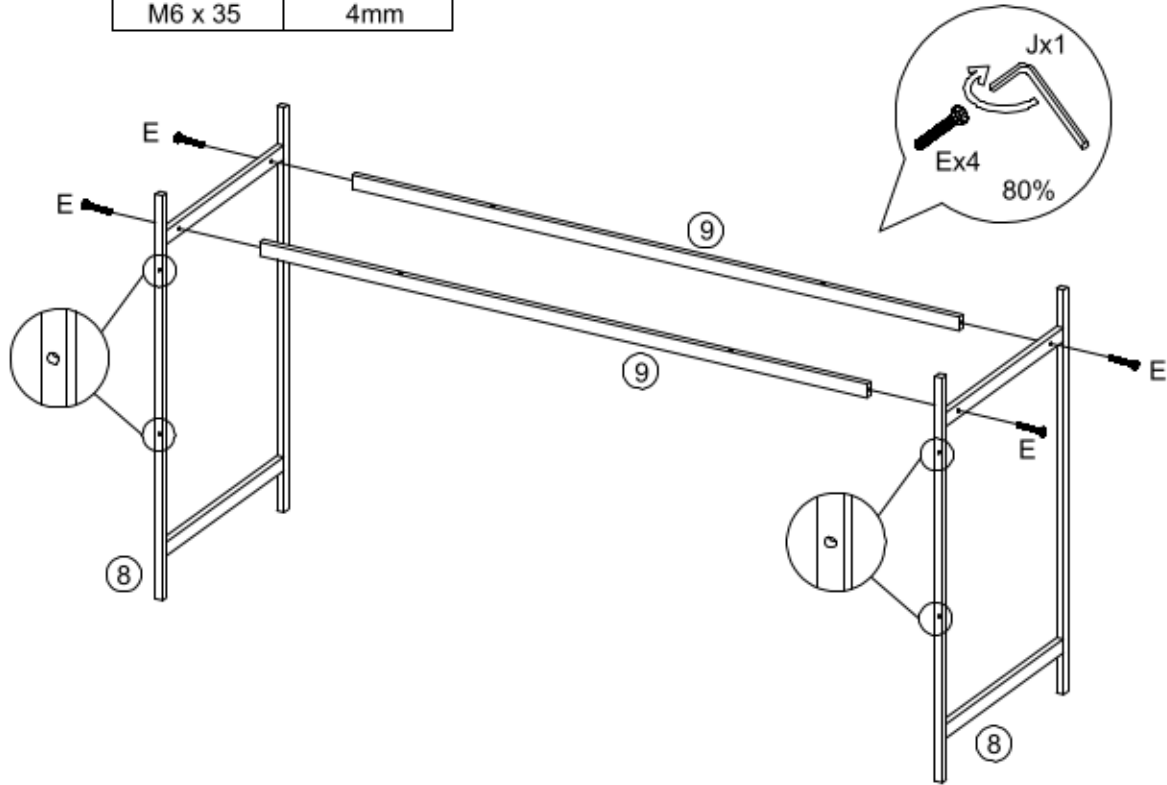


<p>A x 12</p>  <p>M6 x 45</p>	<p>B x 12</p>  <p>Ø15 x 12mm</p>	<p>C x 12</p>  <p>Ø8 x 30mm</p>	<p>D x 10</p>  <p>M7 x 38</p>	<p>E x 8</p>  <p>M6 x 35</p>
<p>F x 4</p>  <p>M6 x 10</p>	<p>G x 1</p>  <p>M6 x 20</p>	<p>H x 1</p>  <p>M6</p>	<p>J x 1</p>  <p>4mm</p>	<p>K x 6</p>  <p>Ø20</p>
<p>L x 2</p>  <p>3.5 x 16</p>	<p>M x 4</p>  <p>Ø16/Ø6</p>	<p>N x 2</p>  <p>L=100mm</p>	<p>P x 1</p>  <p>M6</p>	





# 1

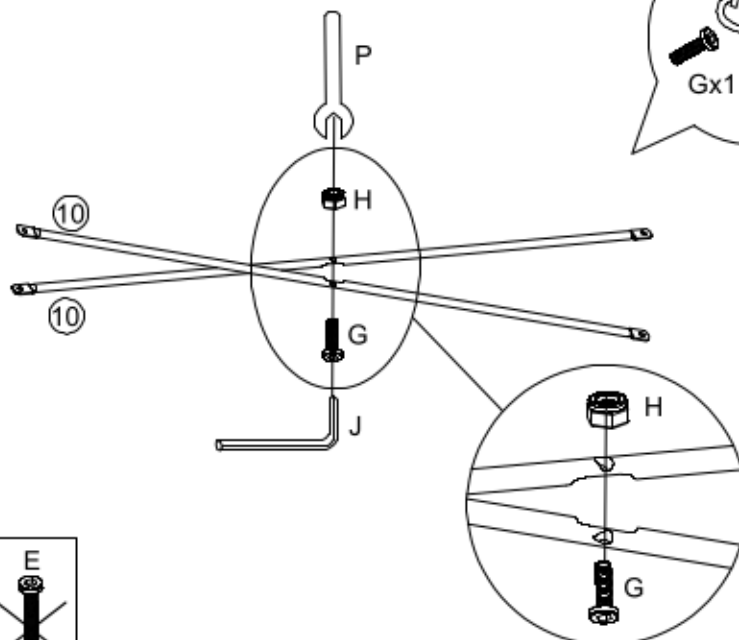
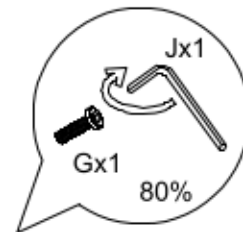
E x 4	J x 1
	
M6 x 35	4mm





	E	F	G
			
	M6x35mm	M6x10mm	M6x20mm



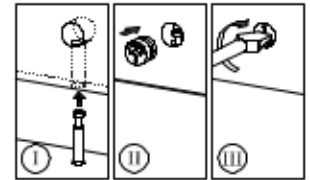
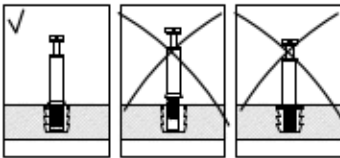
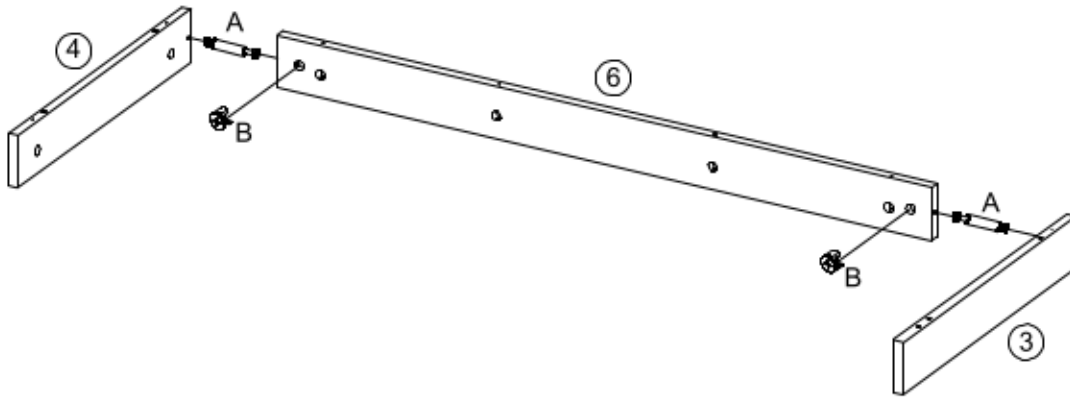
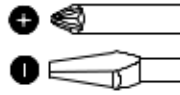
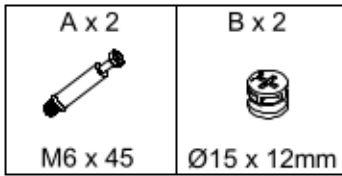
# 2

G x 1	H x 1	J x 1	P x 1
			
M6 x 20	M6	4mm	M6

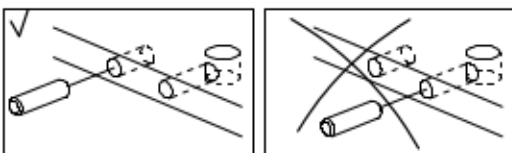
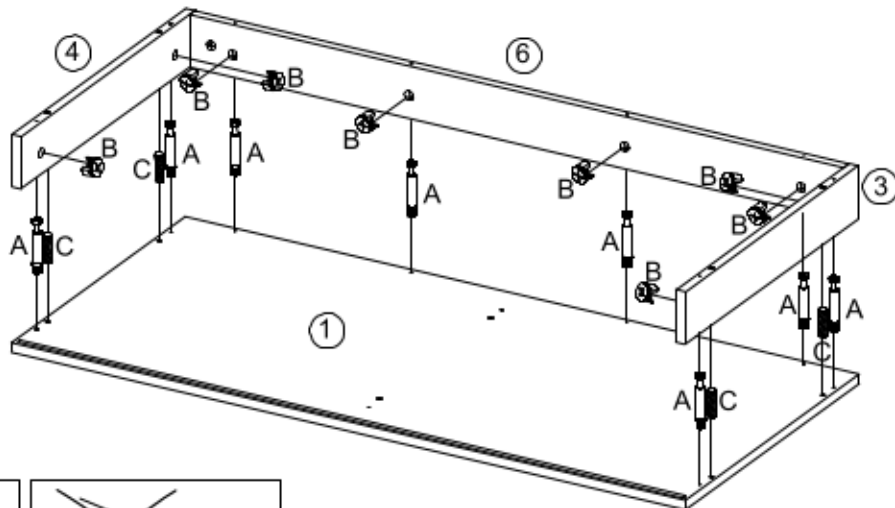
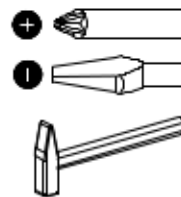
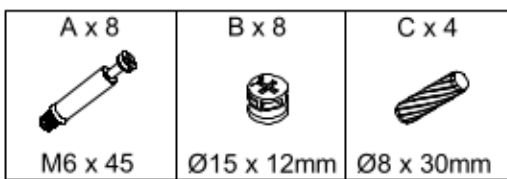


	G	F	E
			
	M6x20mm	M6x10mm	M6x35mm




# 3

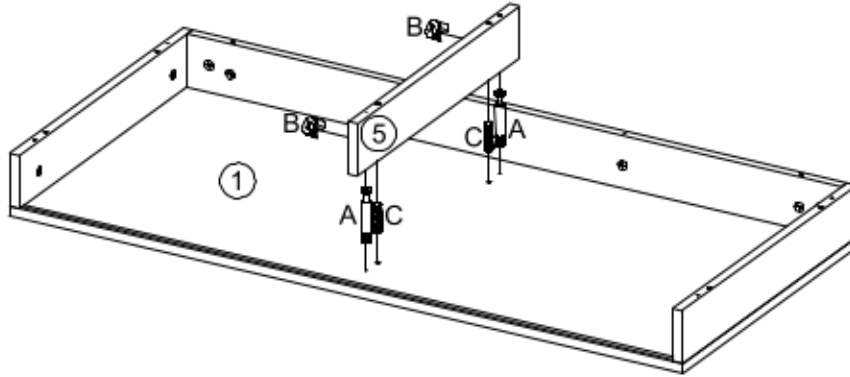
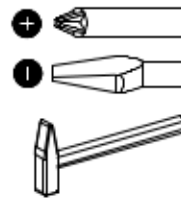


# 4







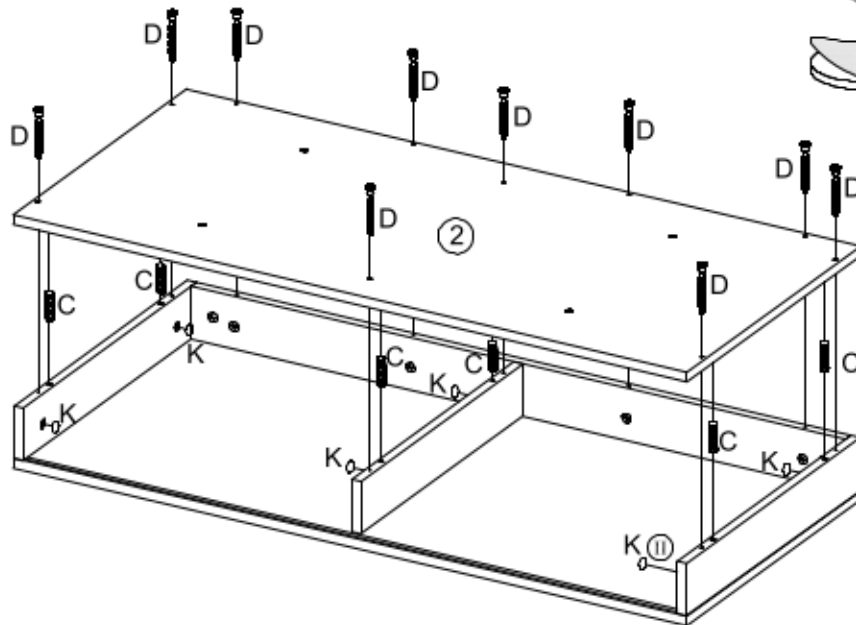
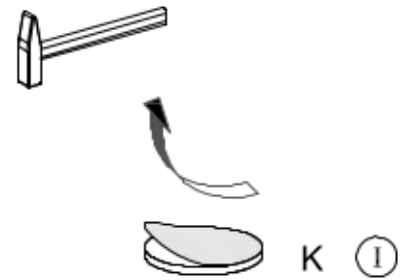
# 5

A x 2  M6 x 45	B x 2  Ø15 x 12mm	C x 2  Ø8 x 30mm
---	--	---









# 6

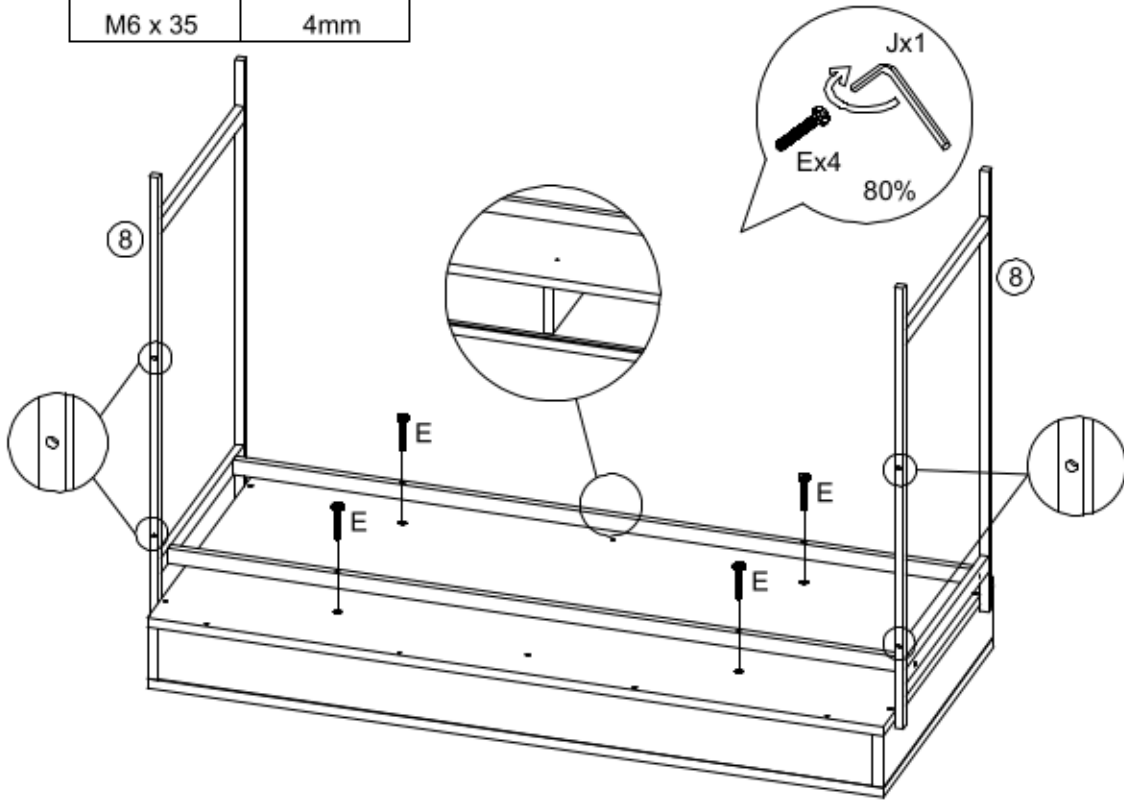
C x 6  Ø8 x 30mm	D x 10  M7 x 38	J x 1  4mm	K x 6  Ø20
---	--	---	---





# 7





E x 4	J x 1
	
M6 x 35	4mm

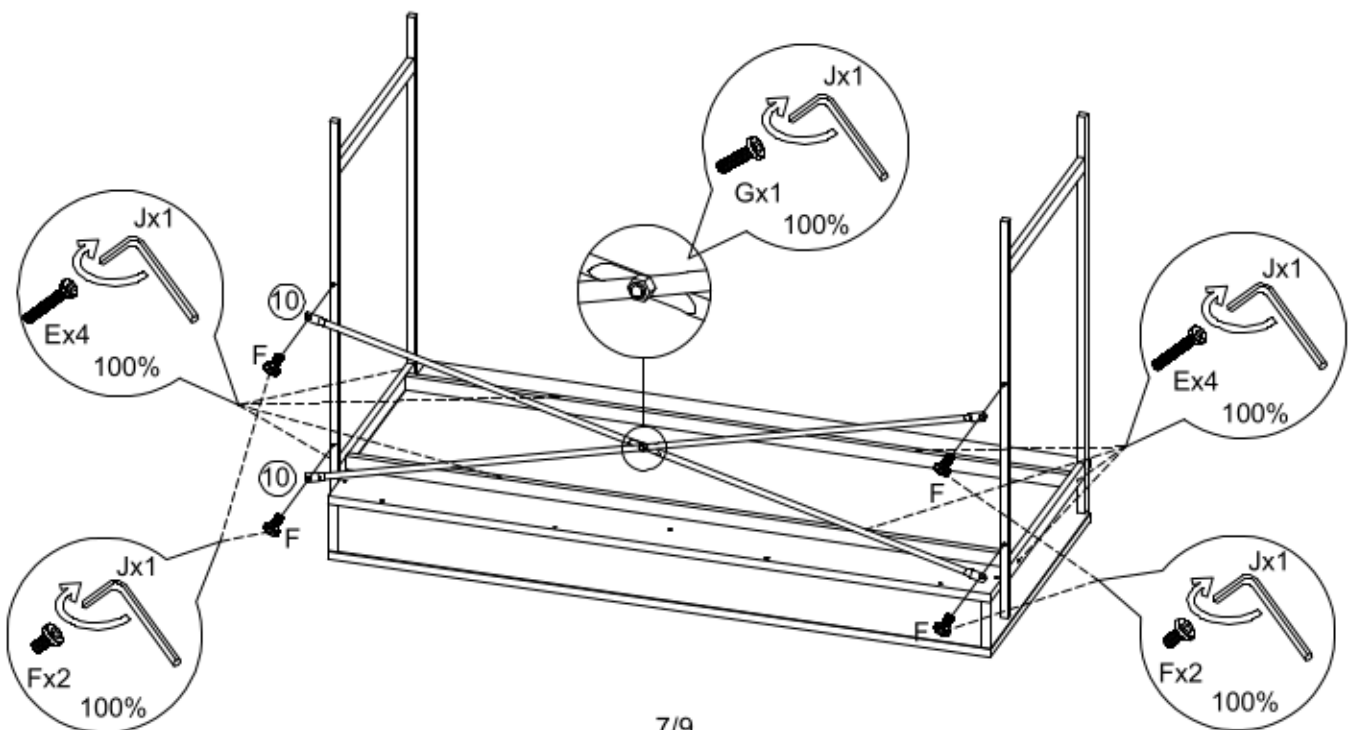
	E	F	G
			
	M6x35mm	M6x10mm	M6x20mm






# 8

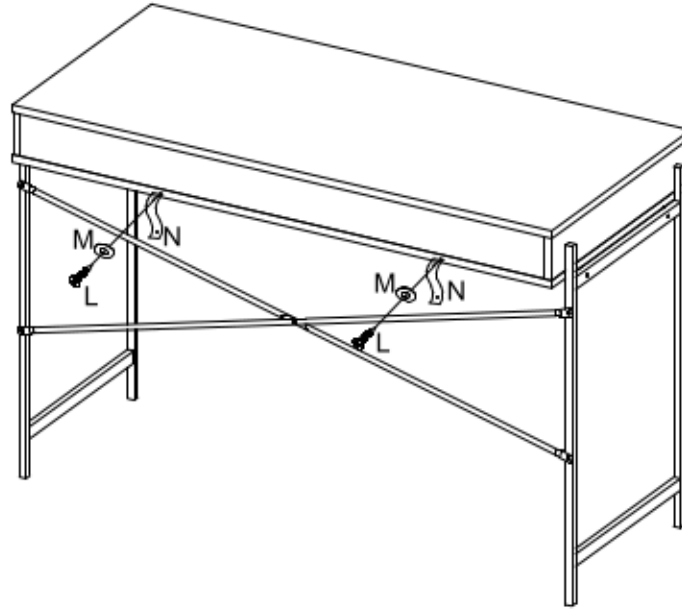
F x 4	J x 1
	
M6 x 10	4mm

	F	G	E
			
	M6x10mm	M6x20mm	M6x35mm

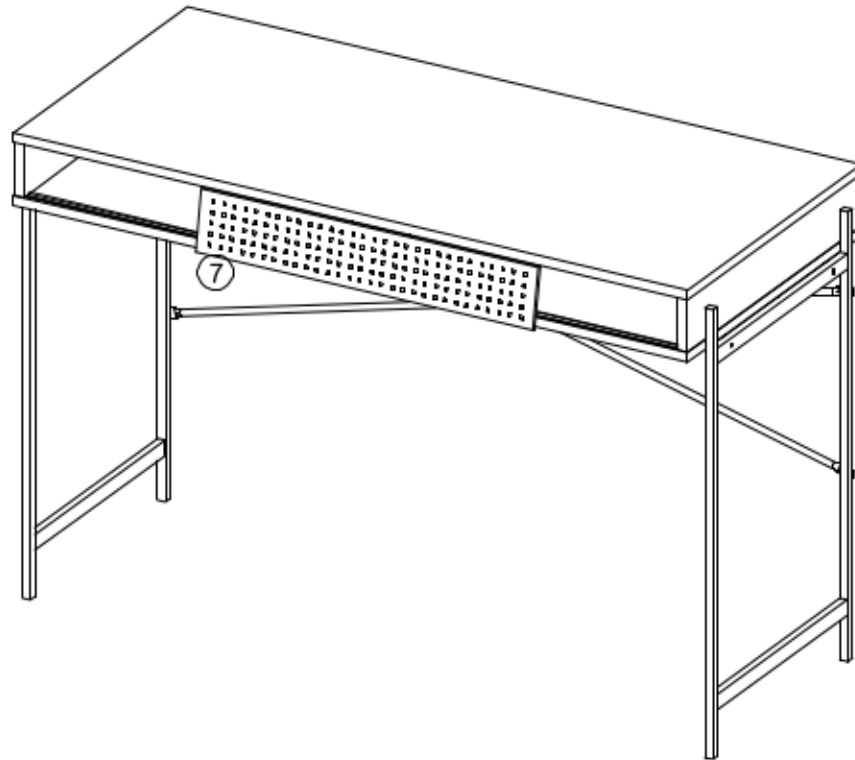


# 9

L x 2	M x 2	N x 2
		
3.5 x 16	Ø16/Ø6	L=100mm

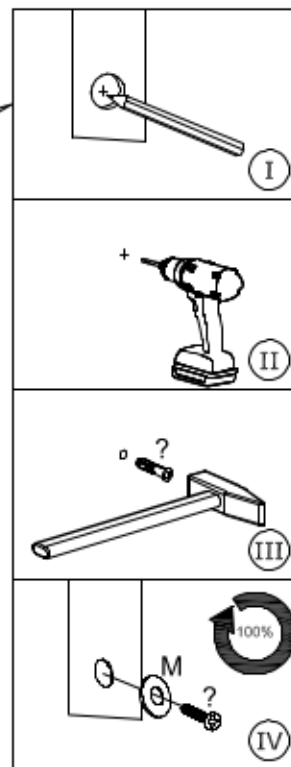
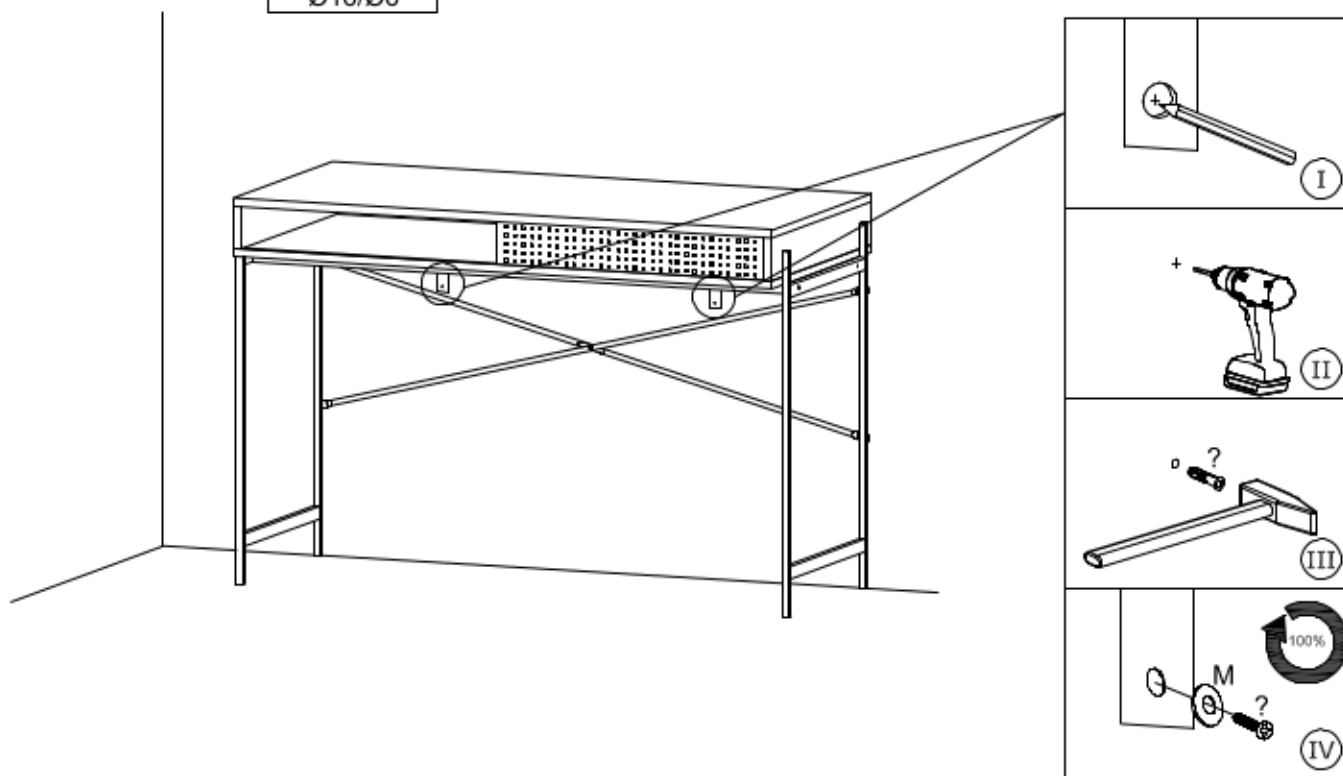
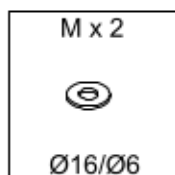


# 10





# 11



# 12

