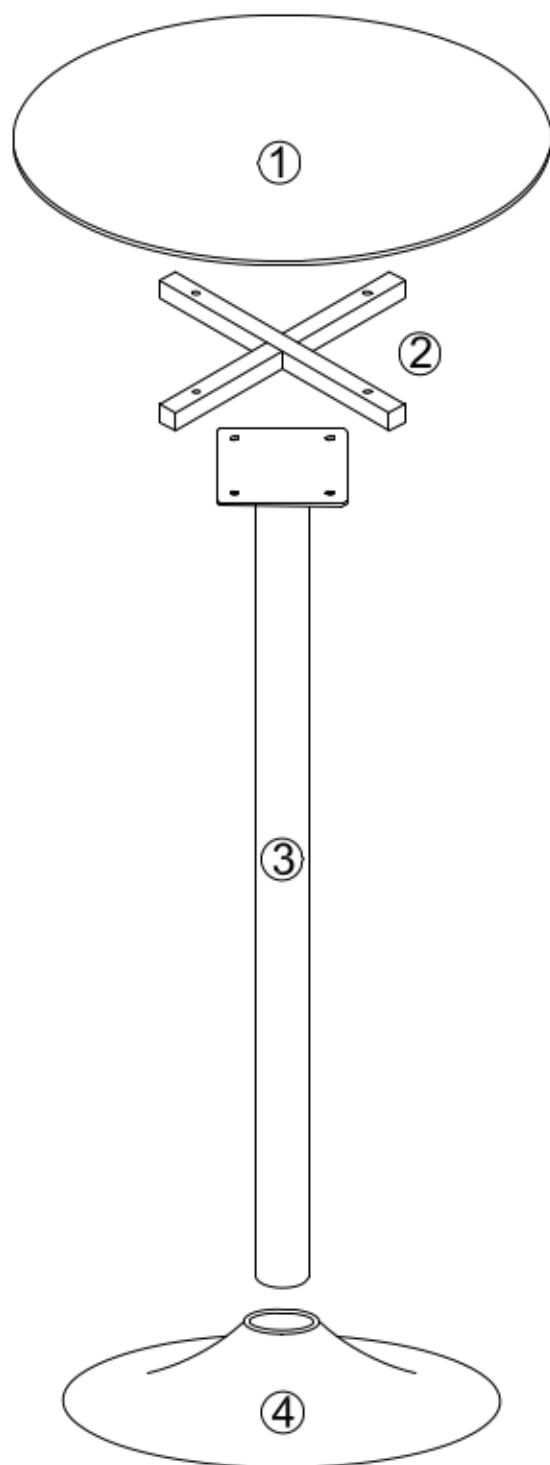












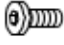

04/11/2019

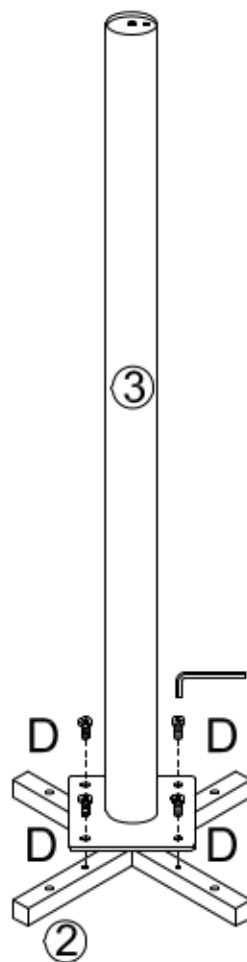
			✓
①	1	Ø600x18	
②	1	305x305x20	
③	1	120x120x924	
④	1	Ø493x87	





<p>A x 1</p>  <p>M10x90mm</p>	<p>B x 1</p>  <p>M6x90mm</p>	<p>C x 4</p>  <p>M6x30mm</p>	<p>D x 4</p>  <p>M6x12mm</p>	<p>E x 1</p>  <p>Ø70mm</p>
<p>F x 1</p>  <p>Ø67mm</p>	<p>G x 1</p>  <p>Ø10.5mm</p>	<p>H x 1</p>  <p>Ø6.5mm</p>	<p>I x 1</p>  <p>8mm</p>	<p>J x 1</p>  <p>4mm</p>

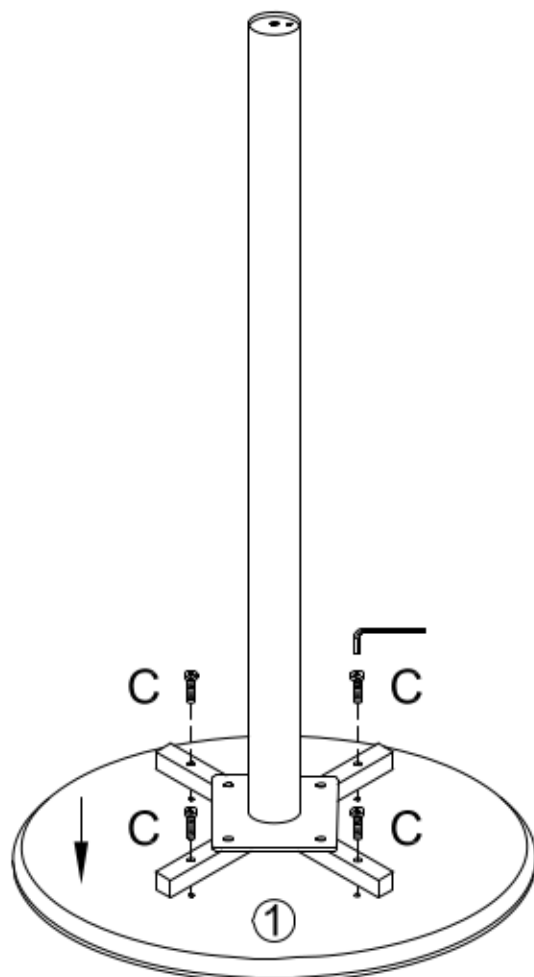
# 1

D x 4  M6x12mm	J x 1  4mm
---	---

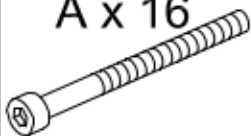









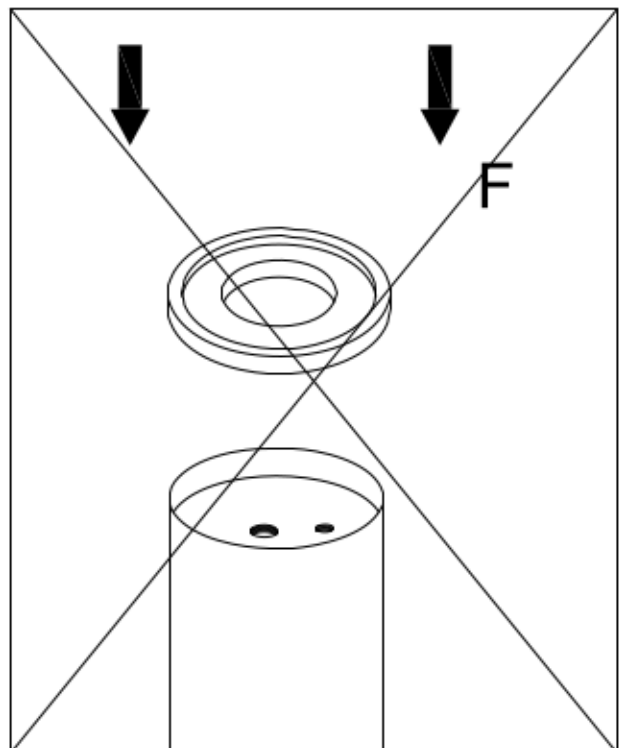
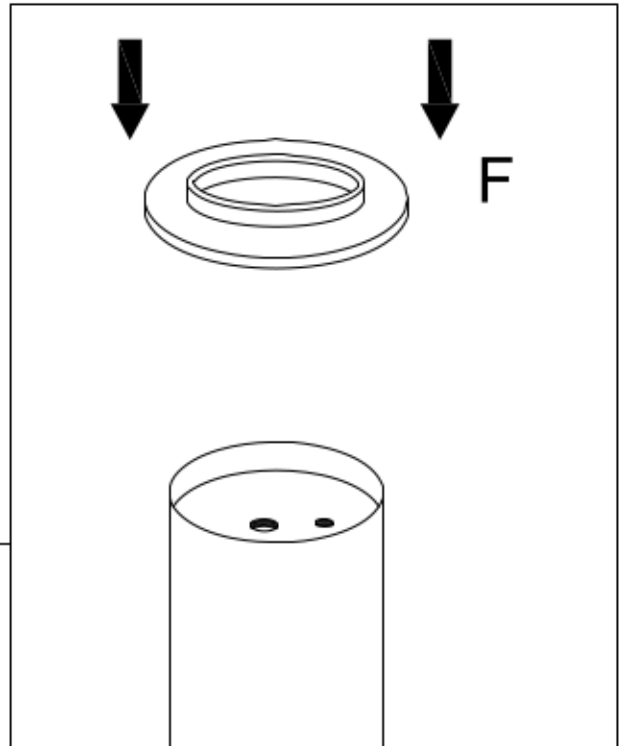
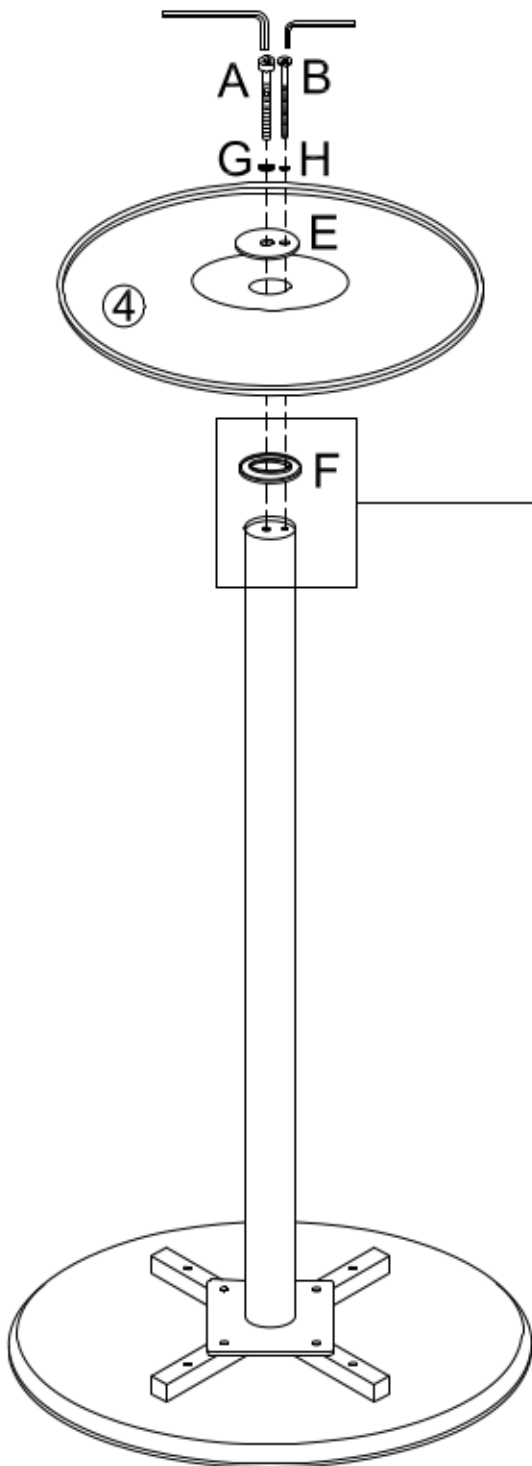
# 2

C x 4  M6x30mm	J x 1  4mm
---	---



# 3

<b>A x 16</b>  M10×90mm	<b>B x 1</b>  M6×90mm	<b>E x 1</b>  Ø70mm	<b>F x 1</b>  Ø67mm
<b>G x 1</b>  Ø10.5mm	<b>H x 1</b>  Ø6.5mm	<b>I x 1</b>  8mm	<b>J x 1</b>  4mm



4

