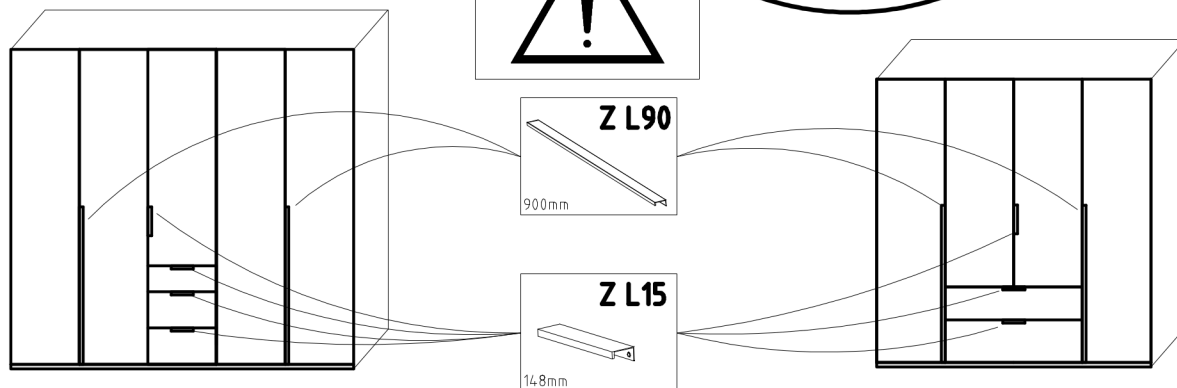
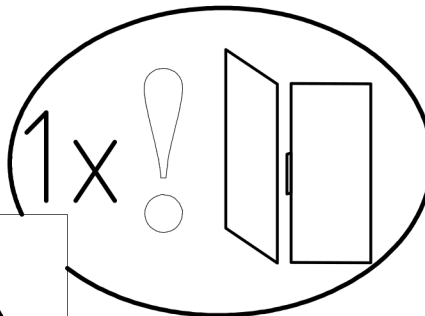
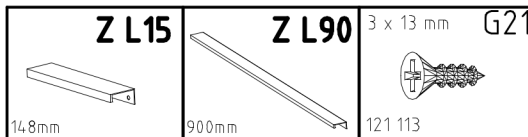
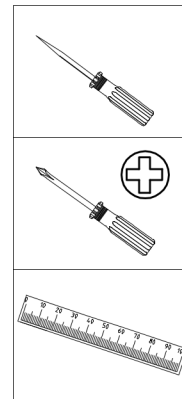
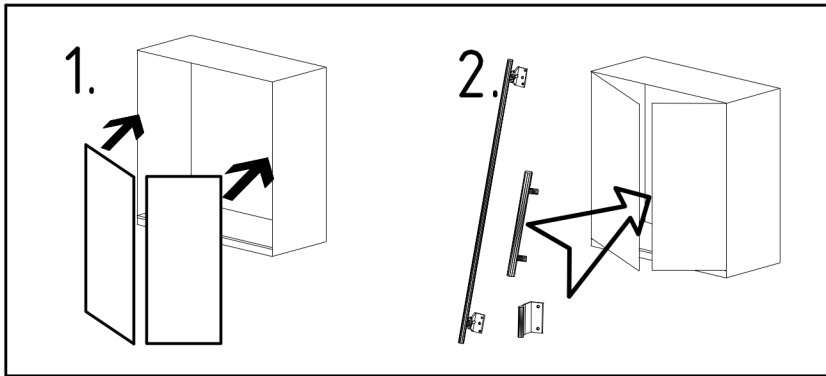
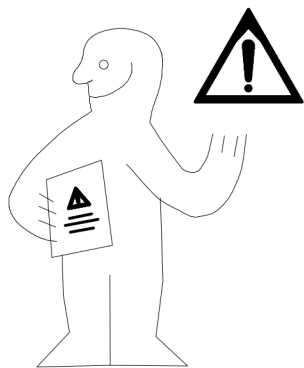
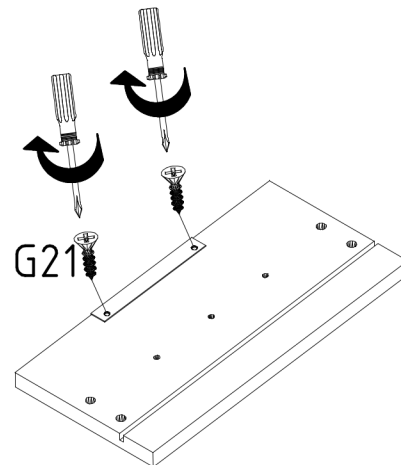
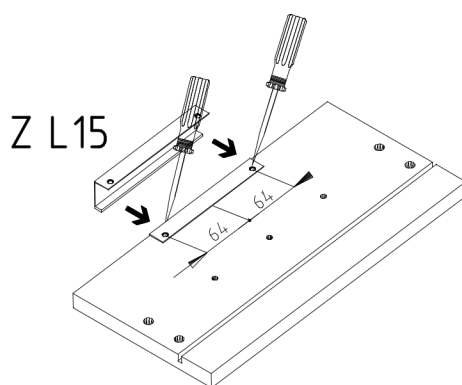
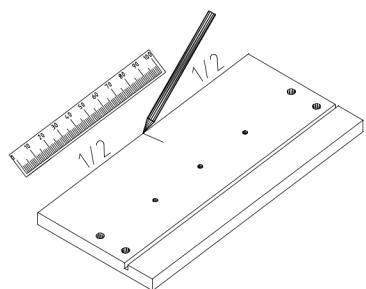
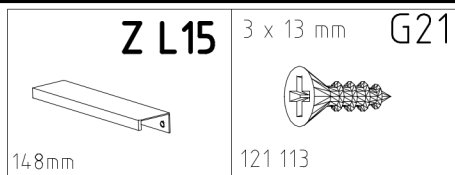


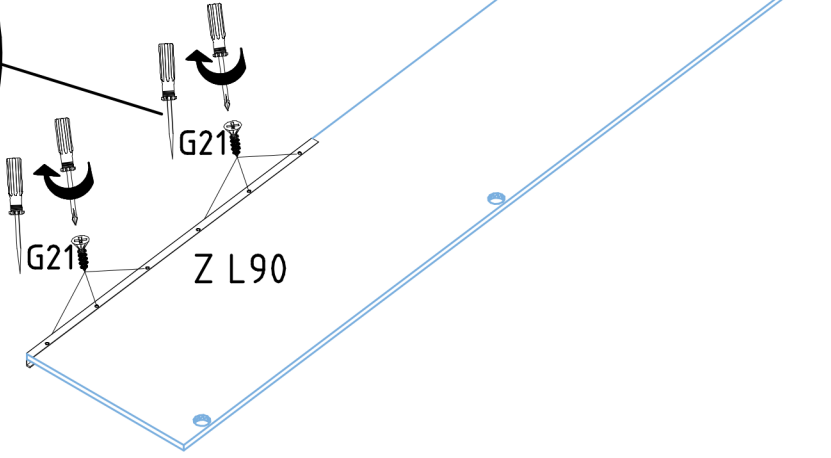
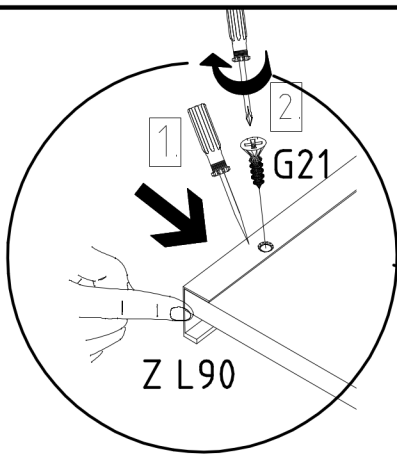
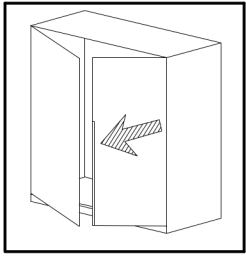
980304



1

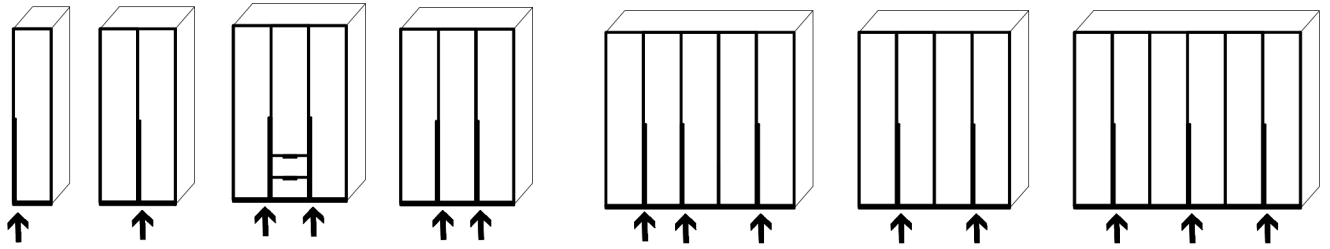
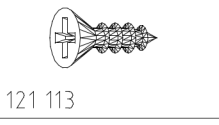


2

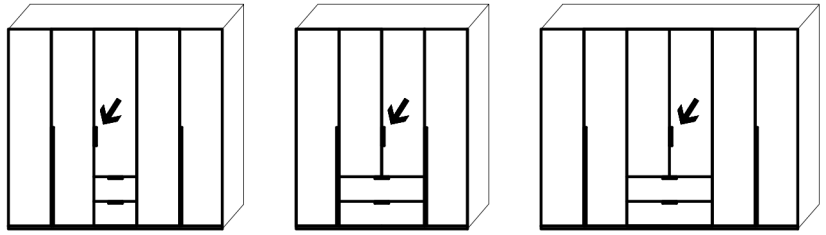
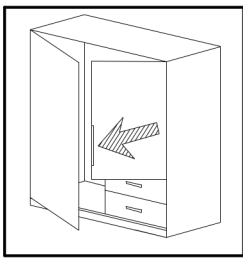


Z L90

900mm  
3 x 13 mm G21

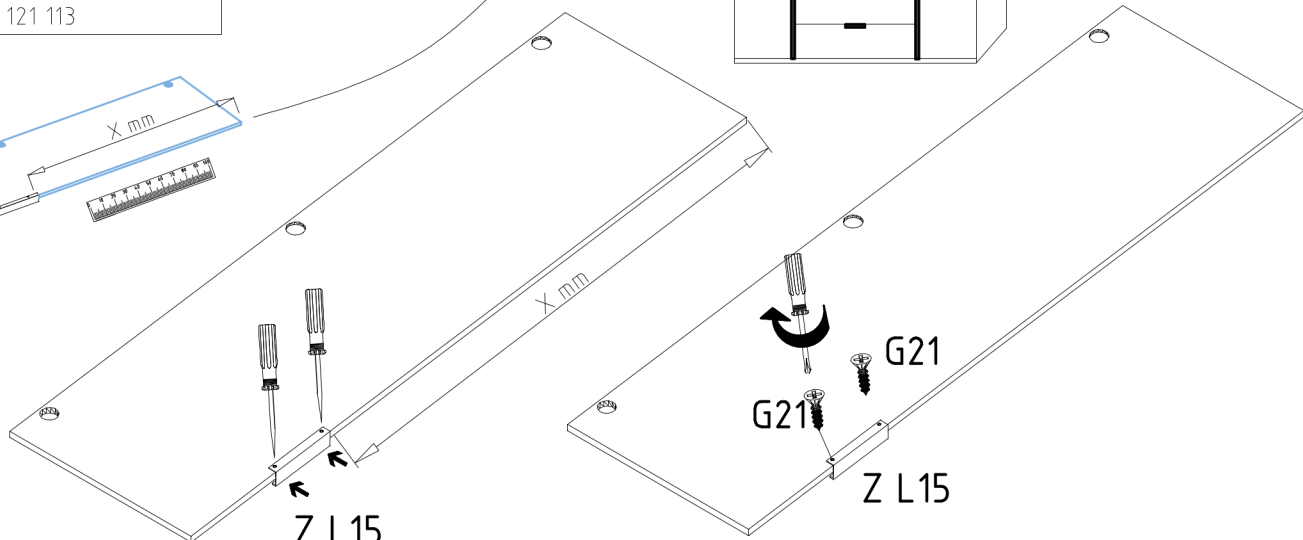
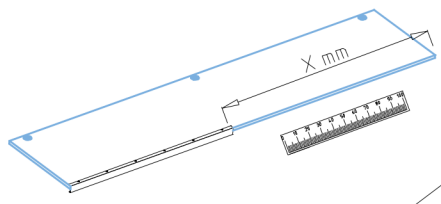
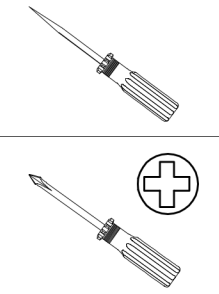
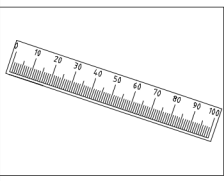


3

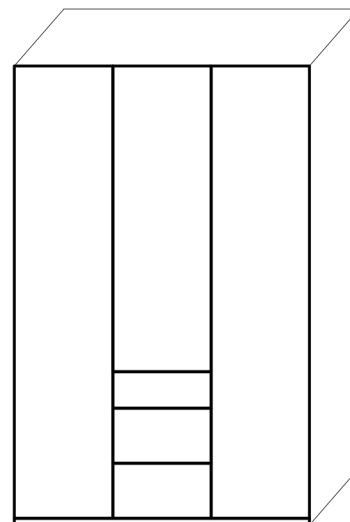
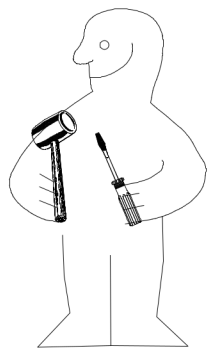


Z L15

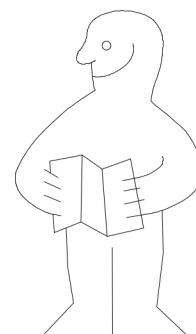
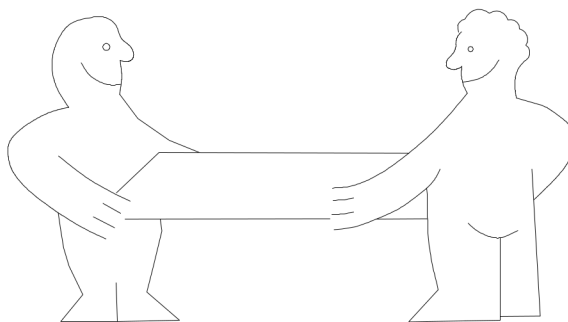
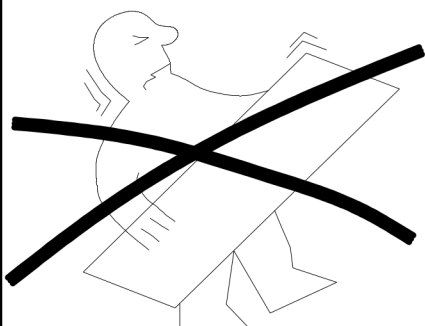
148mm  
3 x 13 mm G21  
121 113



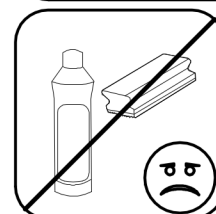
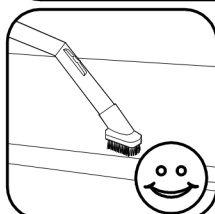
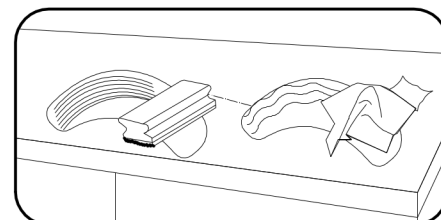
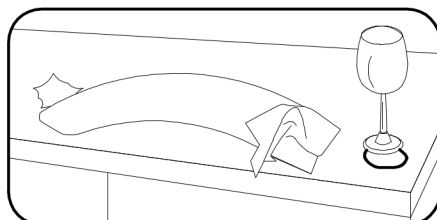
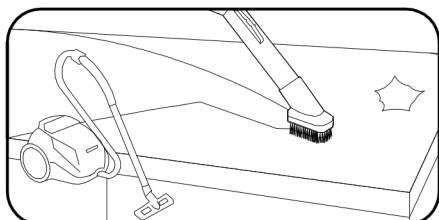
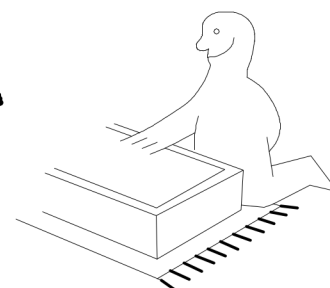
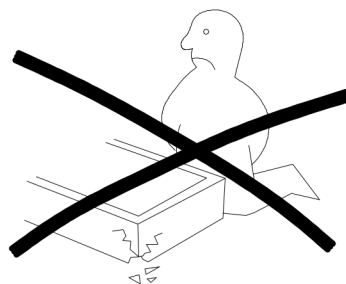
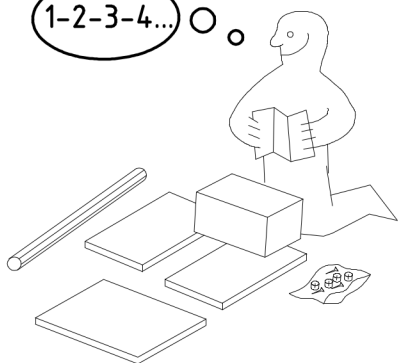
980243



SHS 135



1-2-3-4... ○ ○


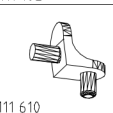
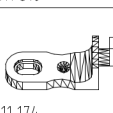
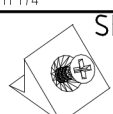


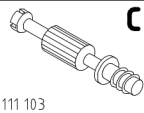
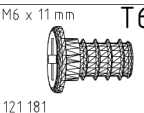
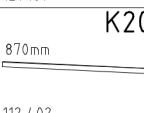
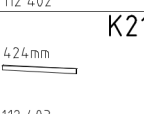
980243

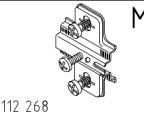
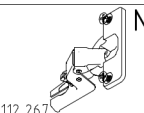
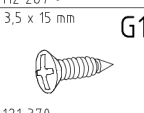

06.04.16 / -


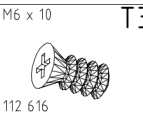
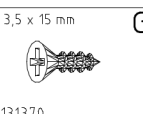
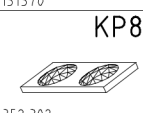
04 16


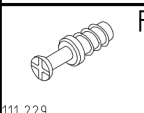
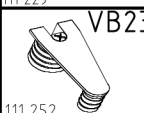
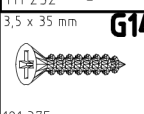
1/11

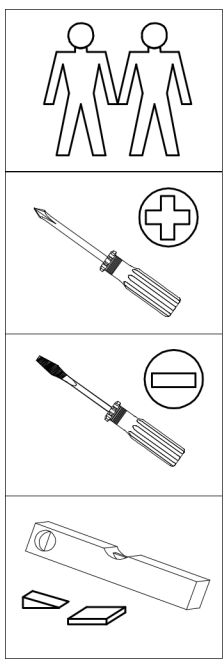
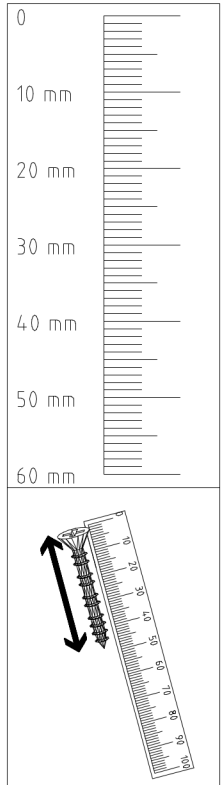
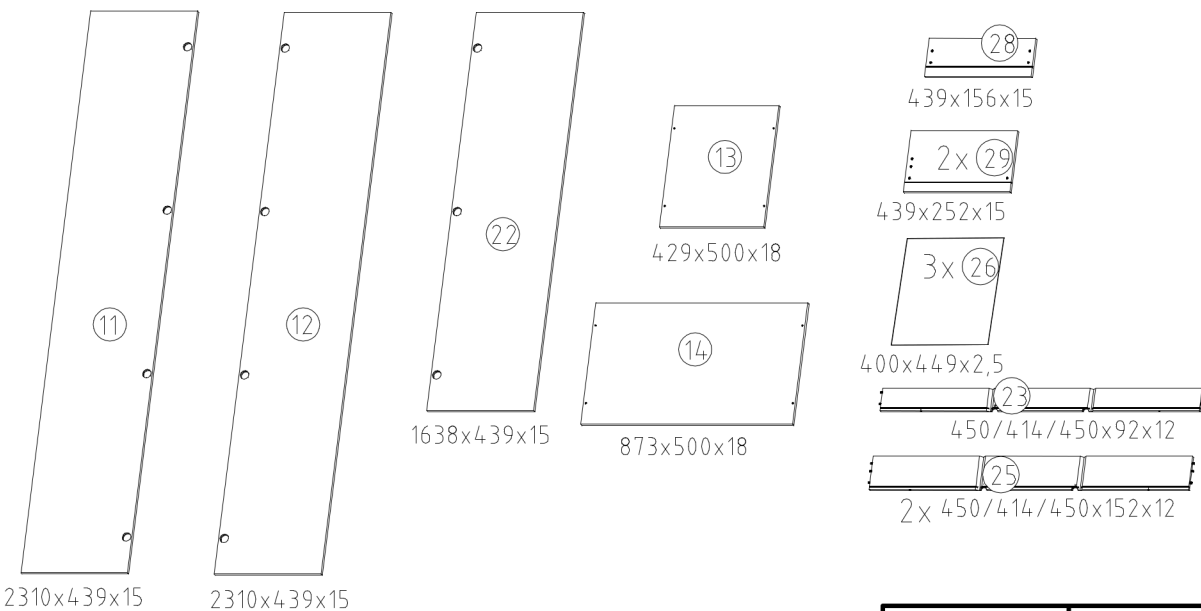
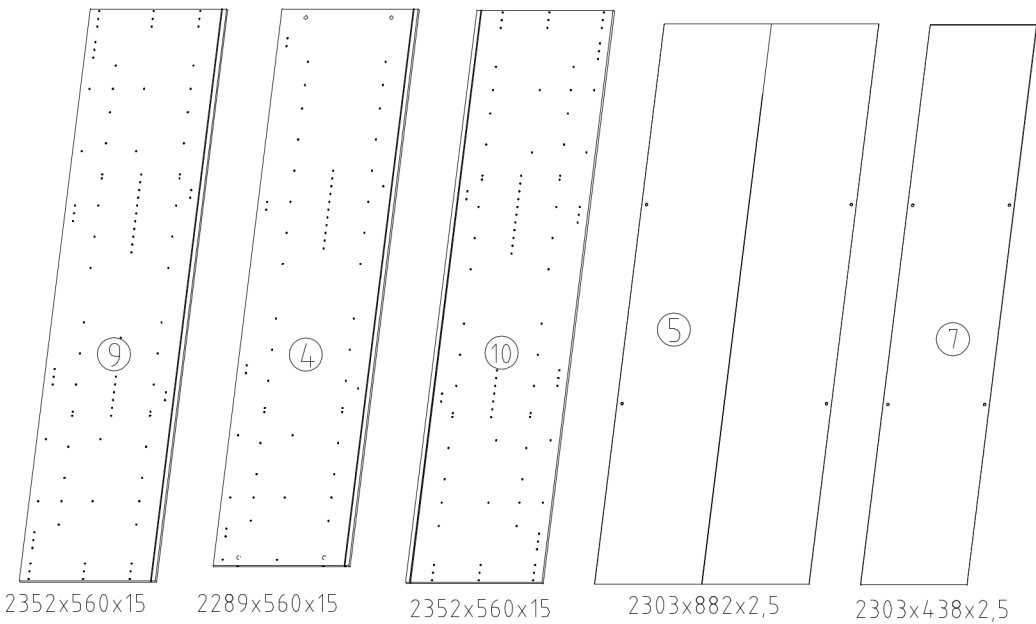
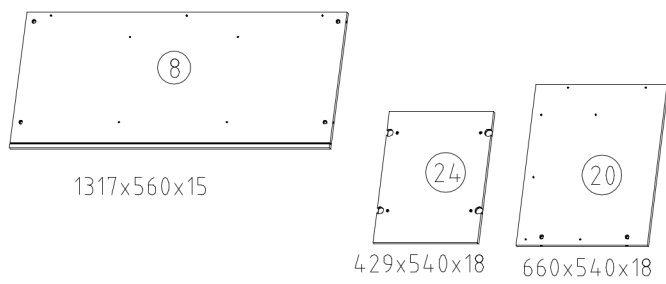
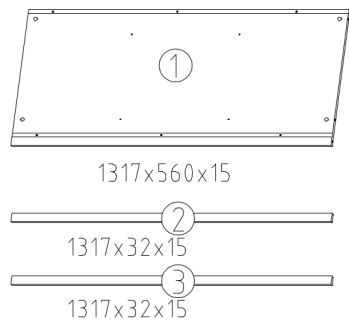
 111 102	<b>A</b> 14x
 111 610	<b>L7</b> 8x
 111 174	<b>J1</b> 8x
 111 174	<b>SBV</b> 8x

 111 103 M6 x 11 mm	<b>C</b> 14x
 121 181	<b>T6</b> 8x
 112 402 870mm	<b>K20</b> 1x
 112 403 424mm	<b>K21</b> 1x

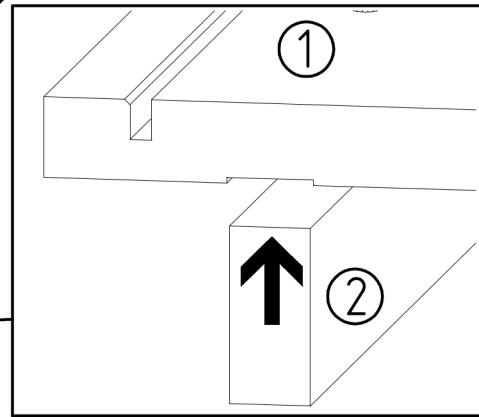
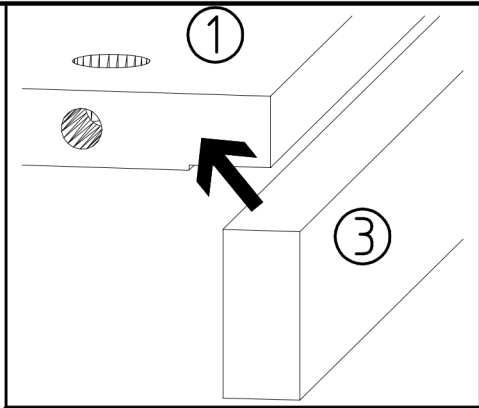
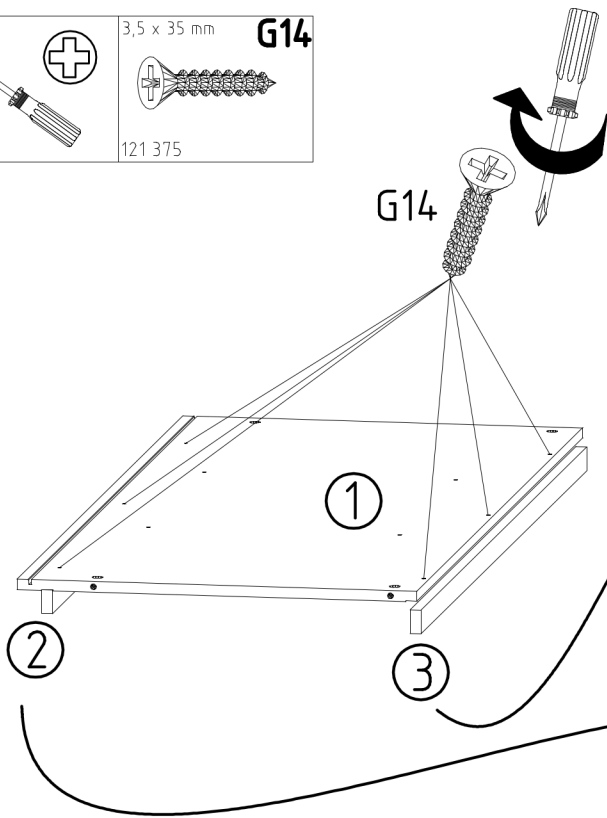
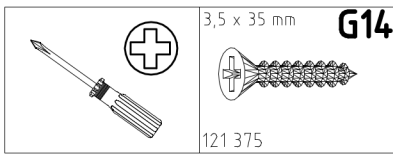
 112 268	<b>M</b> 11x
 112 267 3,5 x 15 mm	<b>N</b> 11x
 121 370	<b>G1</b> 12x
 117 001	<b>K1</b> 4x

 112 220/1 M6 x 10	<b>Q45</b> 3x
 112 616 3,5 x 15 mm	<b>T3</b> 12x
 131370	<b>G</b> 12x
 352 302	<b>KP8</b> 6x

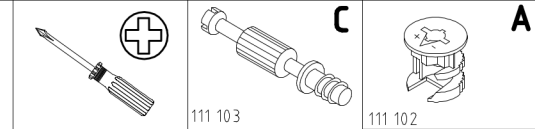
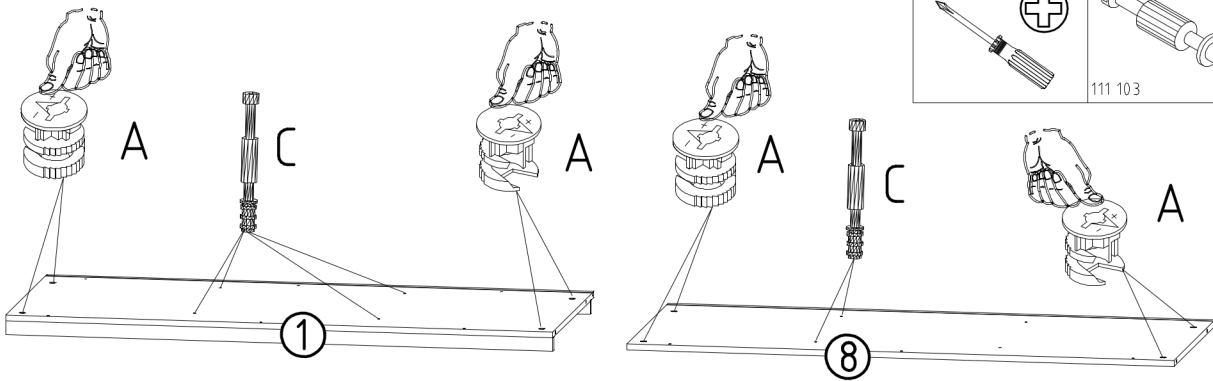
 163 007	<b>Z</b> 2x
 111 229	<b>F</b> 4x
 111 252 3,5 x 35 mm	<b>VB23</b> 4x
 121 375	<b>G14</b> 6x



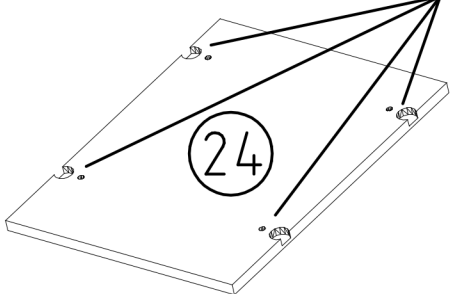
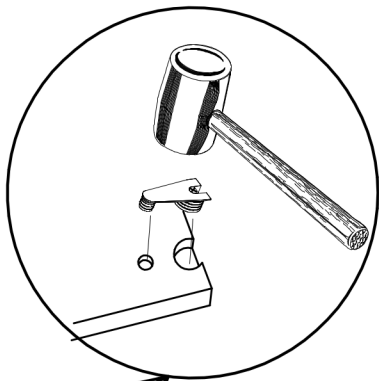
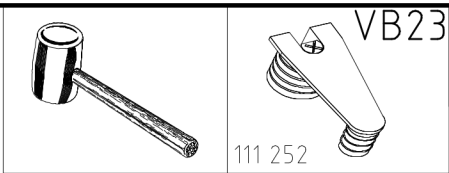
1



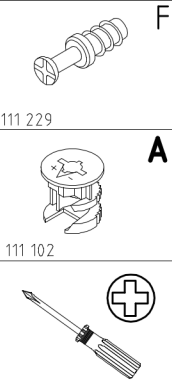
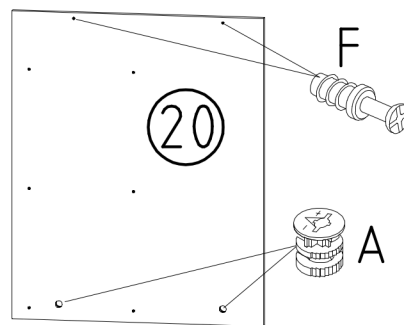
2



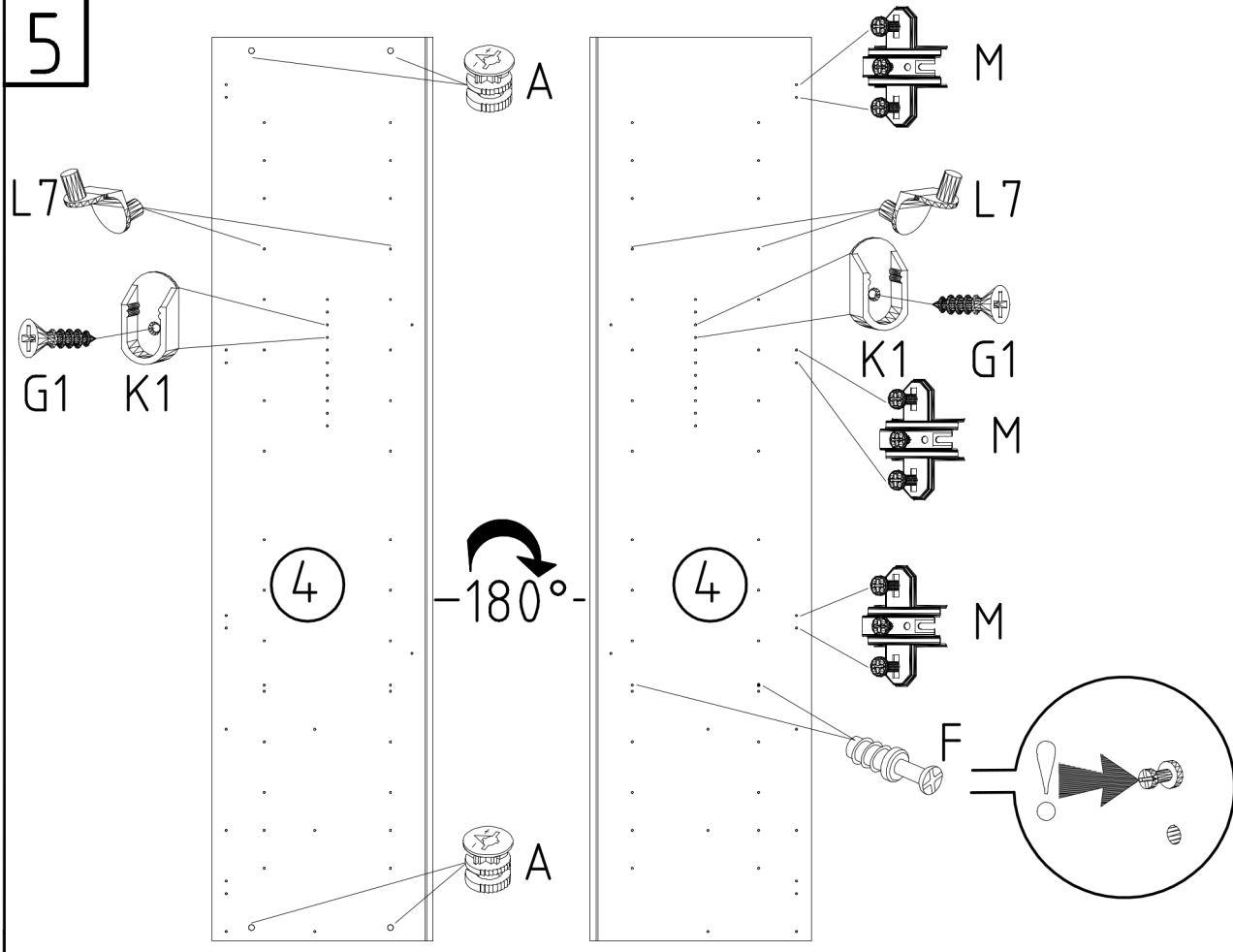
3

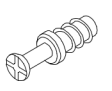


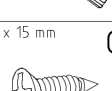
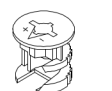
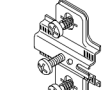



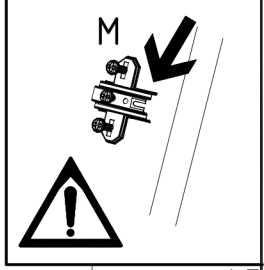
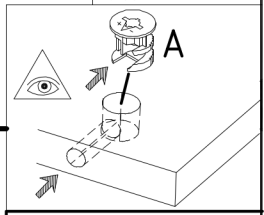
4



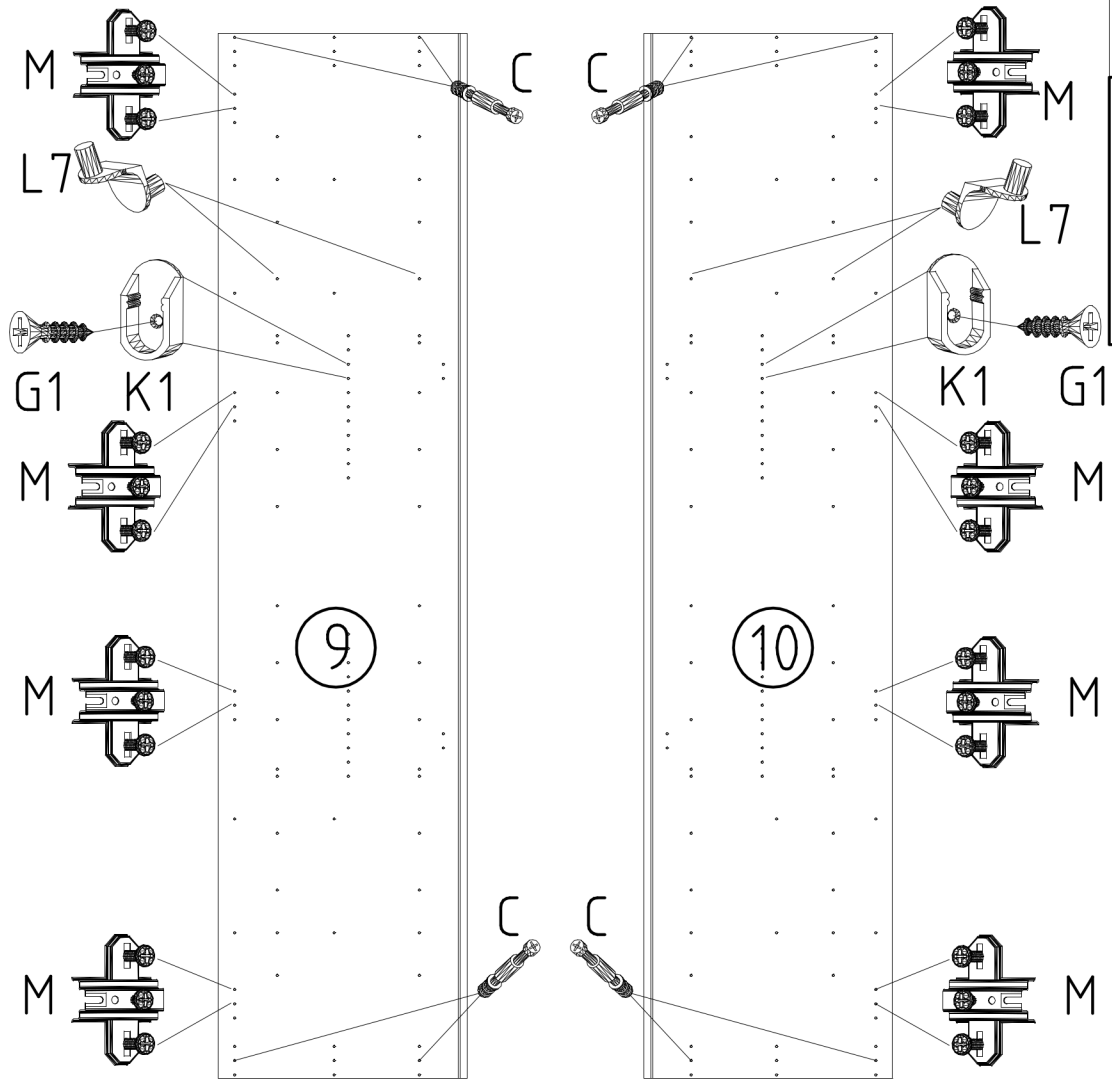
5



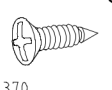
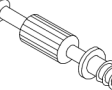
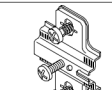
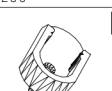


- F 
- 111 229
- L7 
- 111 610
- 
- 3,5 x 15 mm
- G1 
- 121 370
- A 
- 111 102
- M 
- 112 268
- K1 
- 117 001

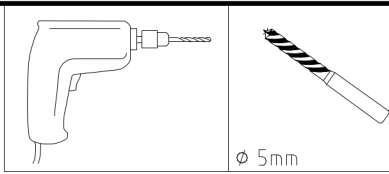


6



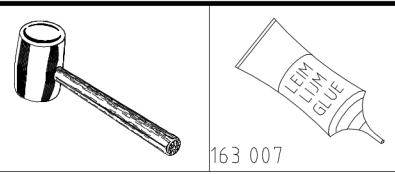
- L7 
- 111 610
- 
- 3,5 x 15 mm
- G1 
- 121 370
- C 
- 111 103
- M 
- 112 268
- K1 
- 117 001

7



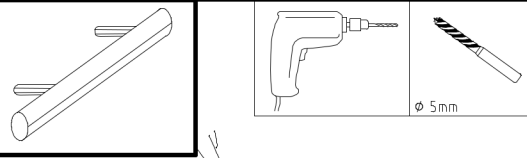
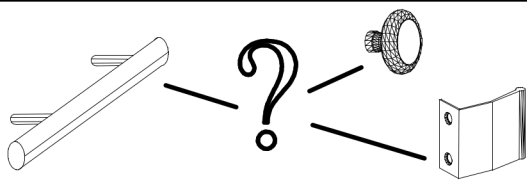
ø 5mm

8

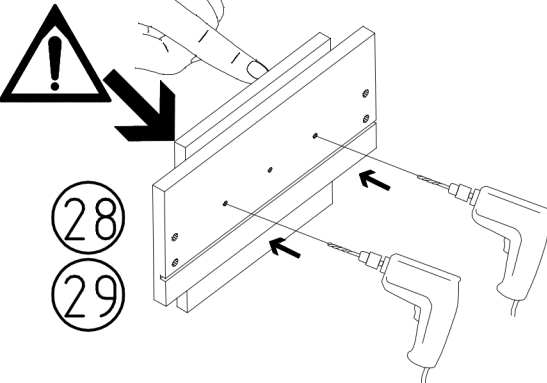


163 007

Z

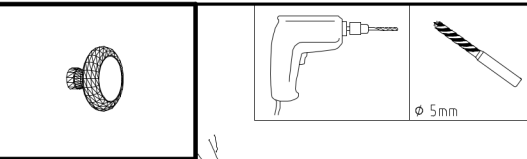


ø 5mm

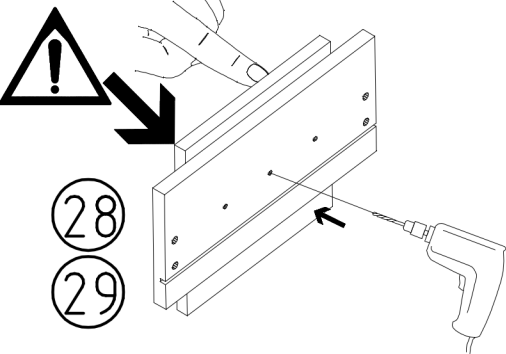


28

29

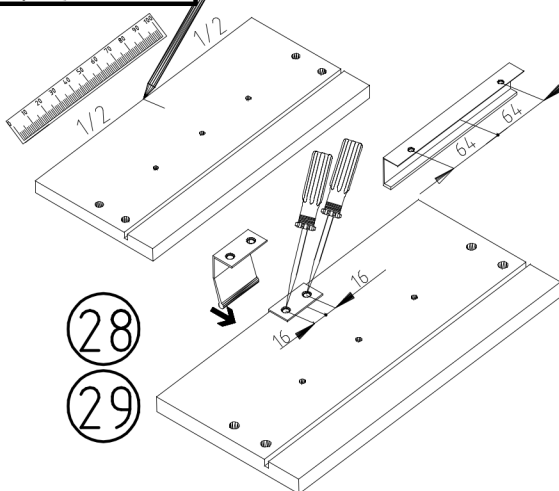
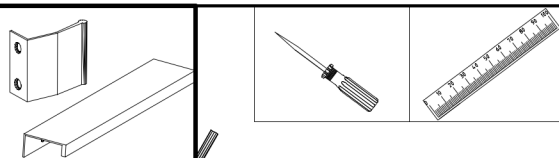


ø 5mm



28

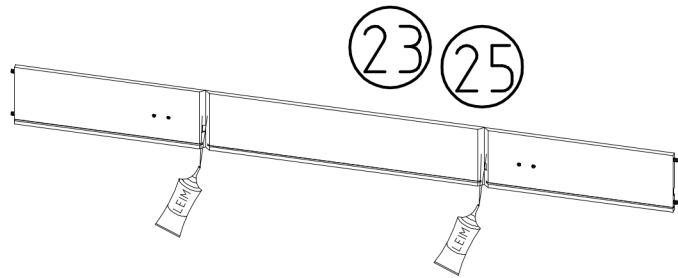
29



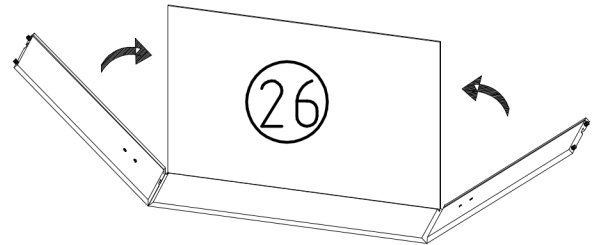
28

29

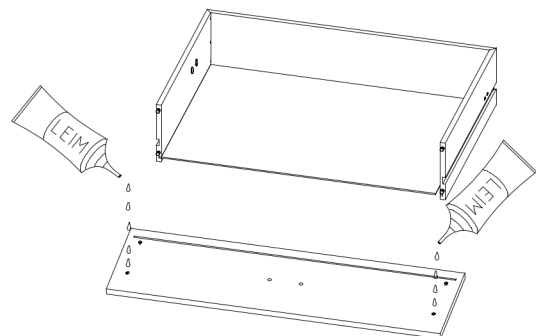
A



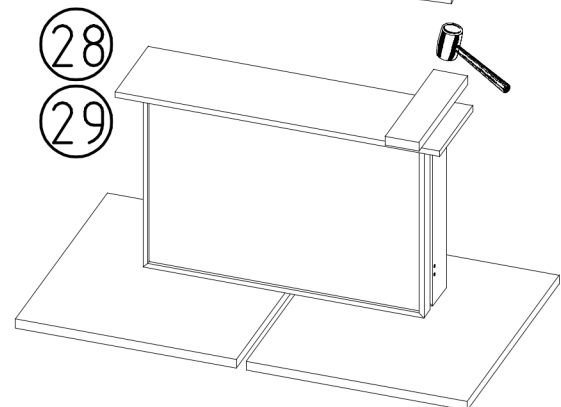
B



C



D



28

29

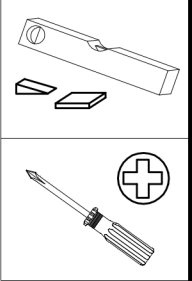
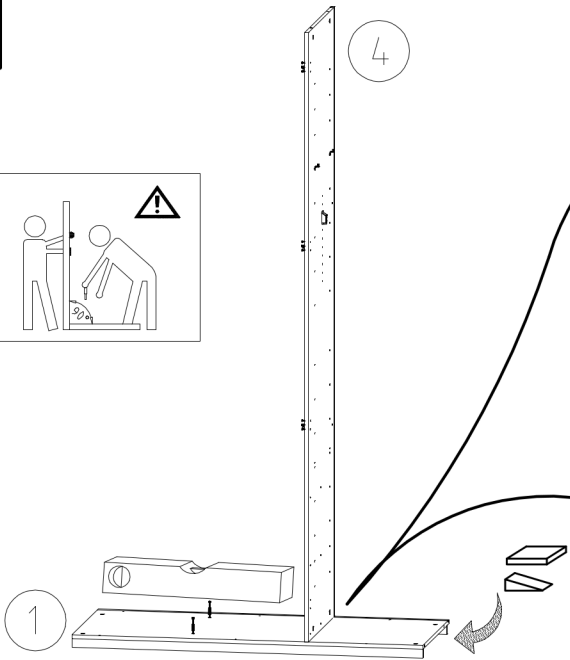
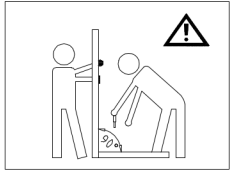
980243

06.04.16 / -

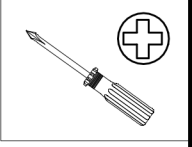
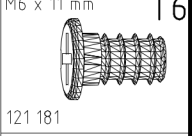
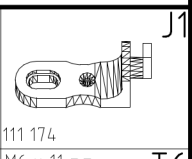
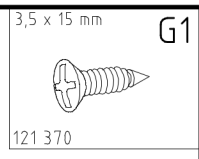
04 16

5/11

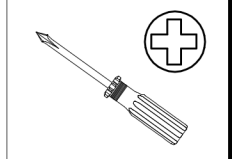
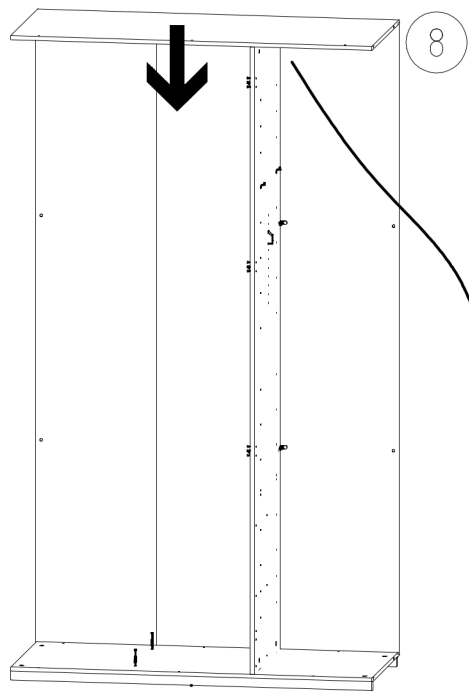
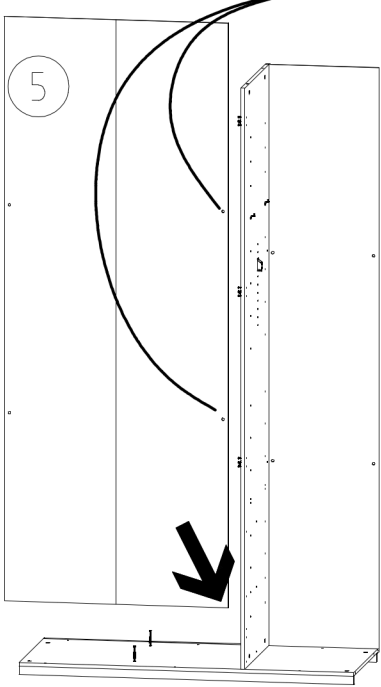
9



10

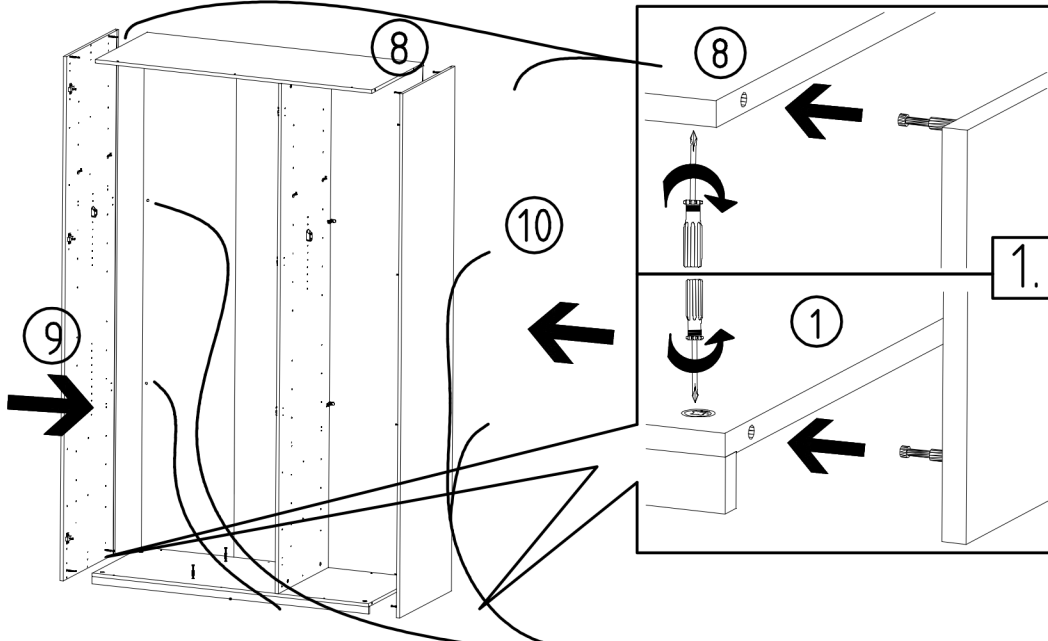


11

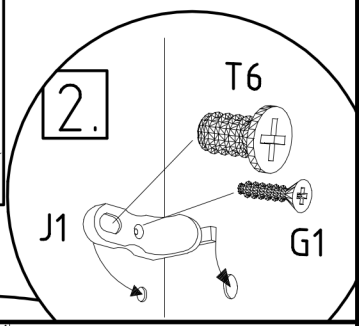




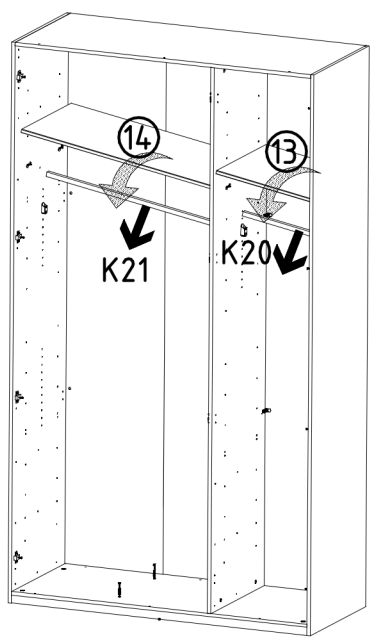
12



3,5 x 15 mm 121 370	G1 M6 x 11 mm 121 181	T6 111 174

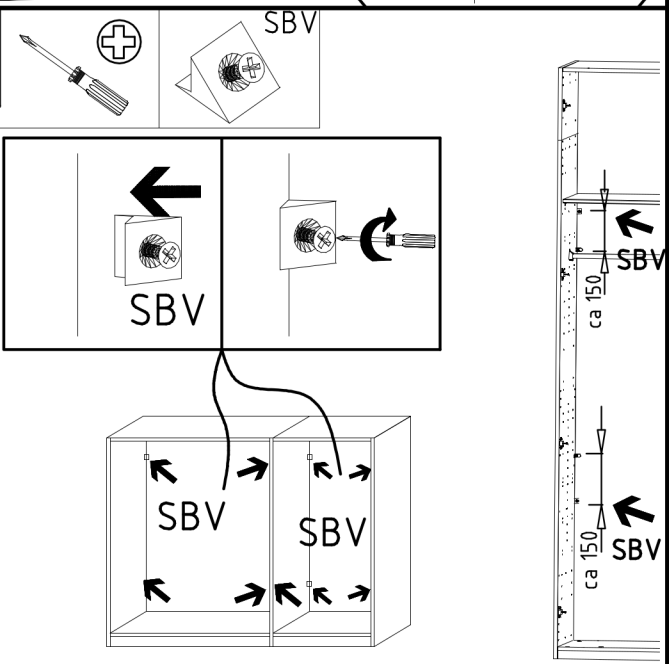


13

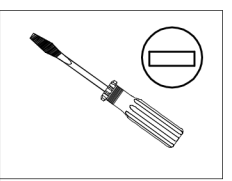
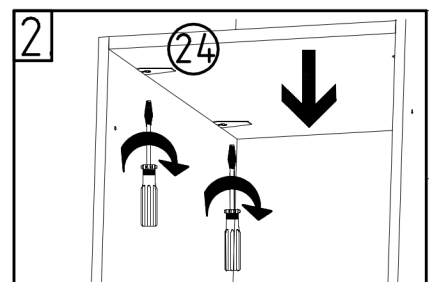
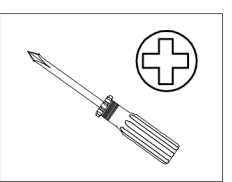
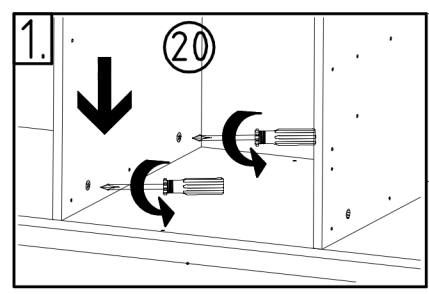
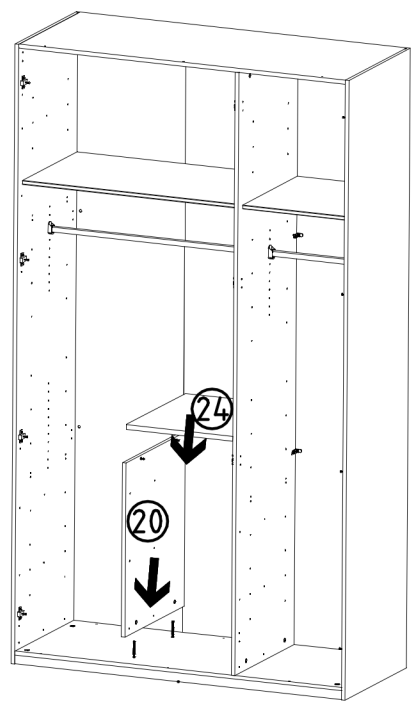


870mm  
K20  
112 402

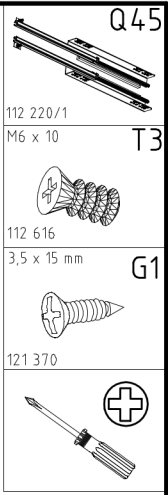
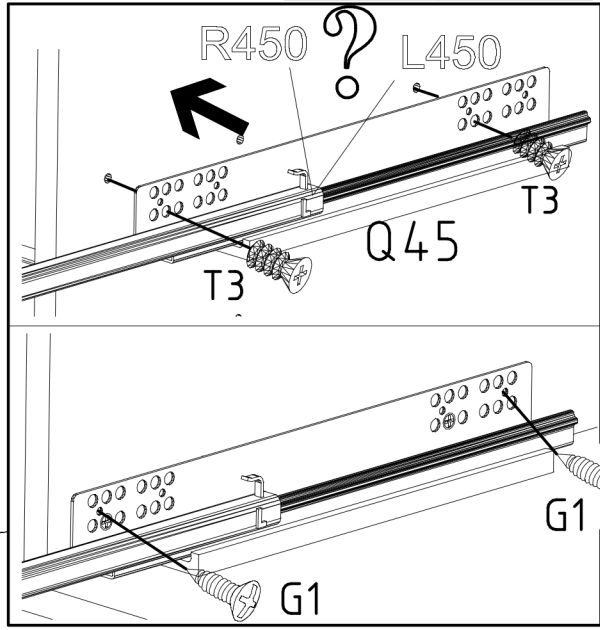
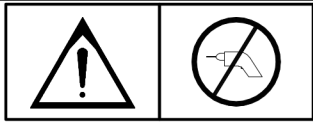
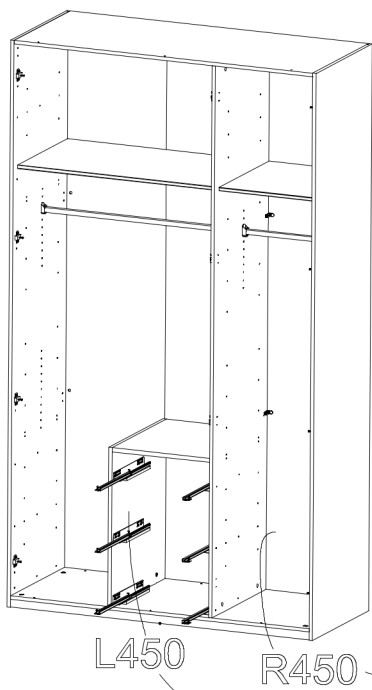
14



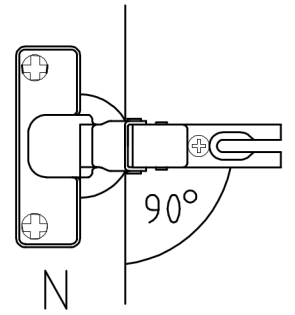
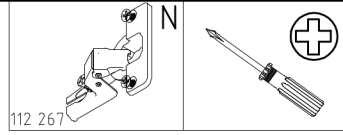
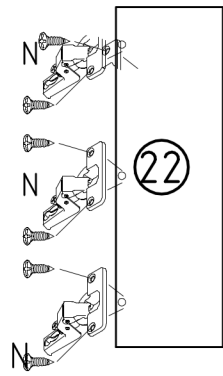
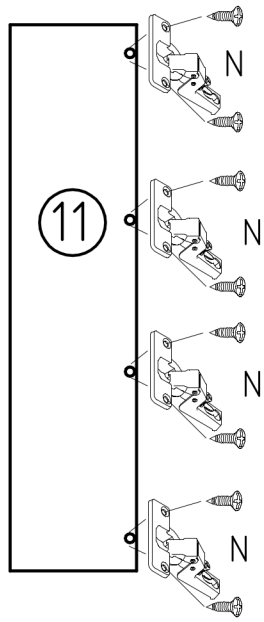
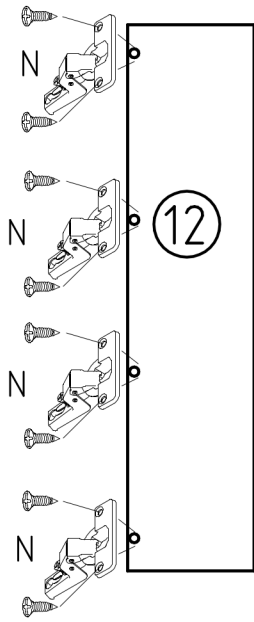
15



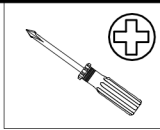
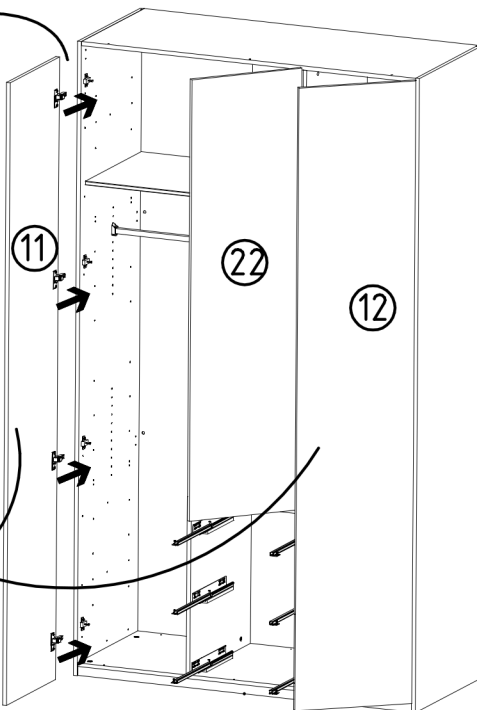
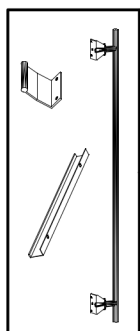
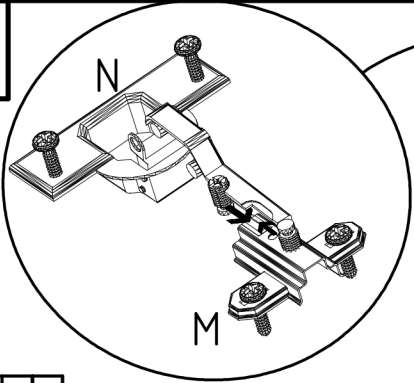
16



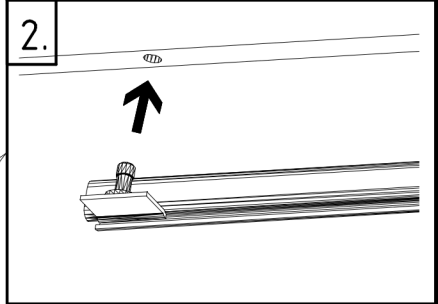
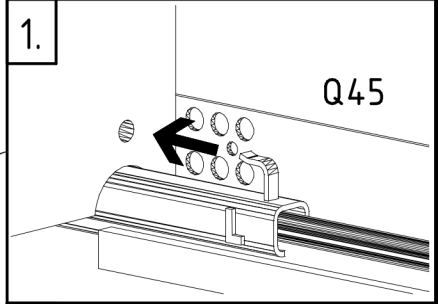
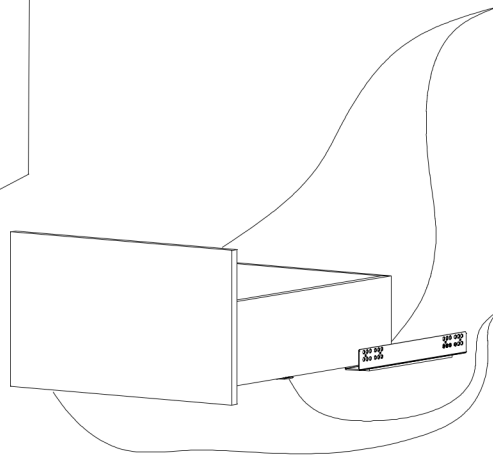
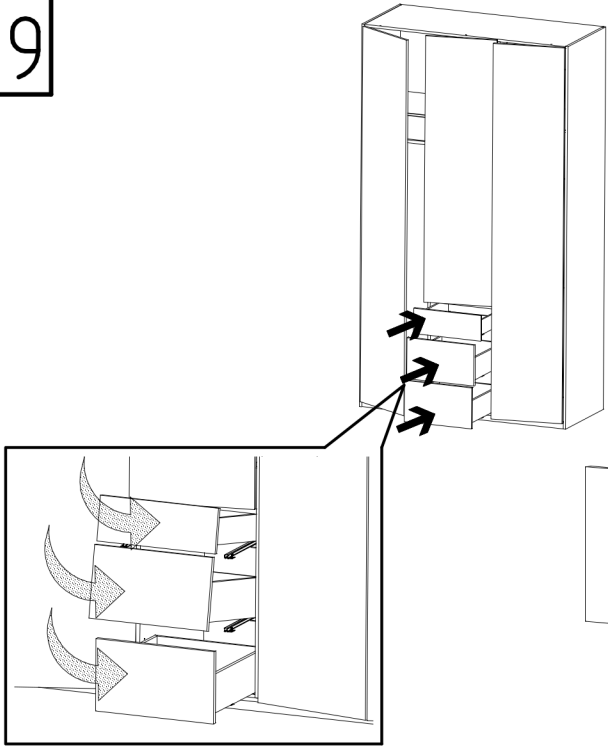
17



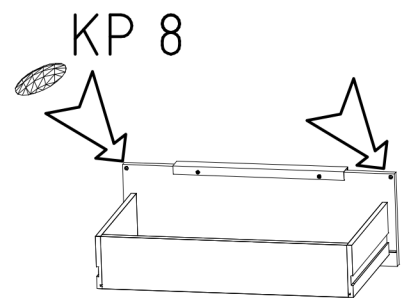
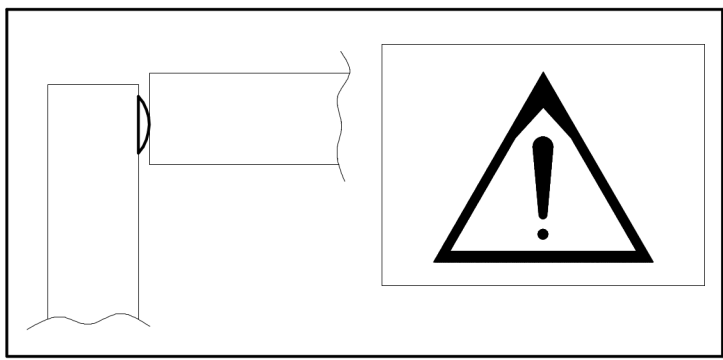
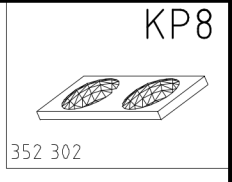
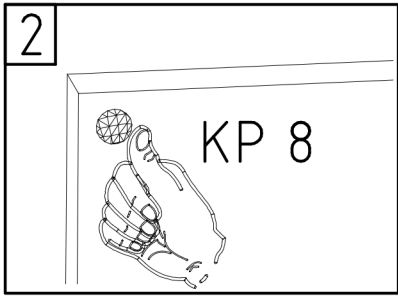
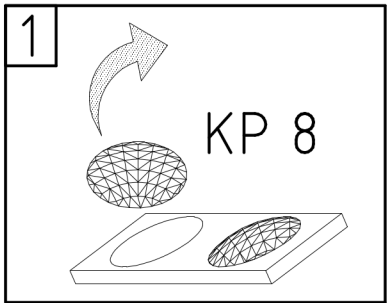
18

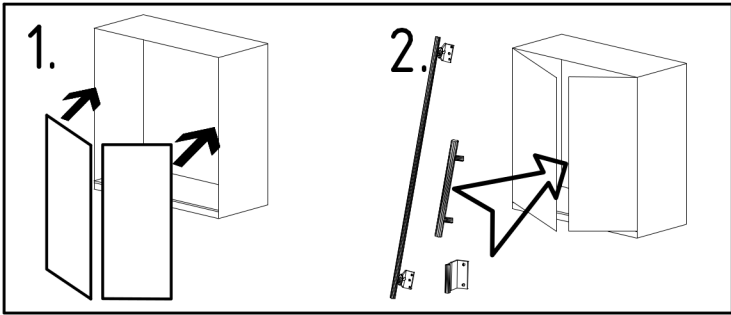


19

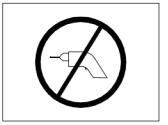
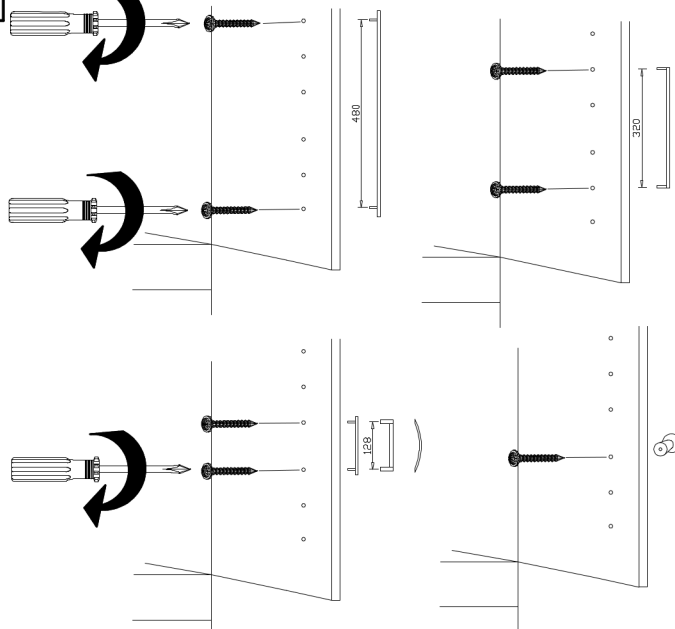
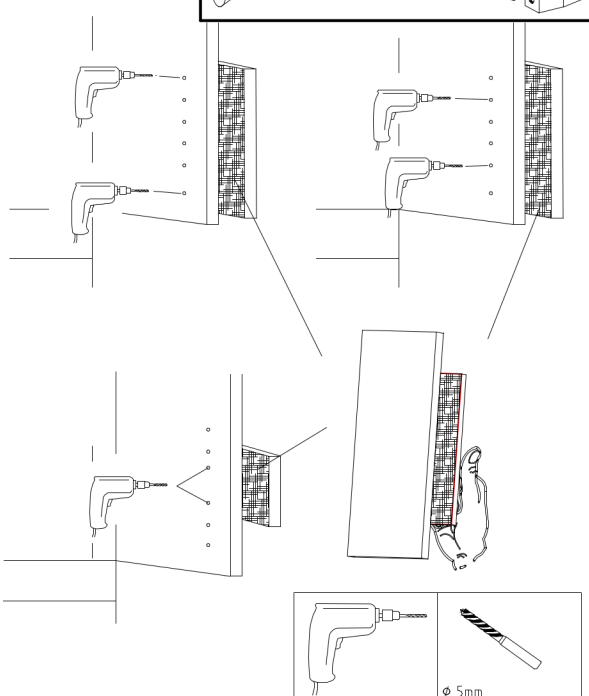
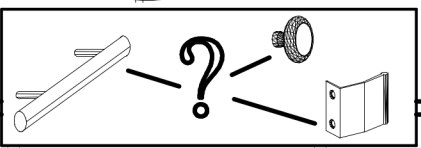
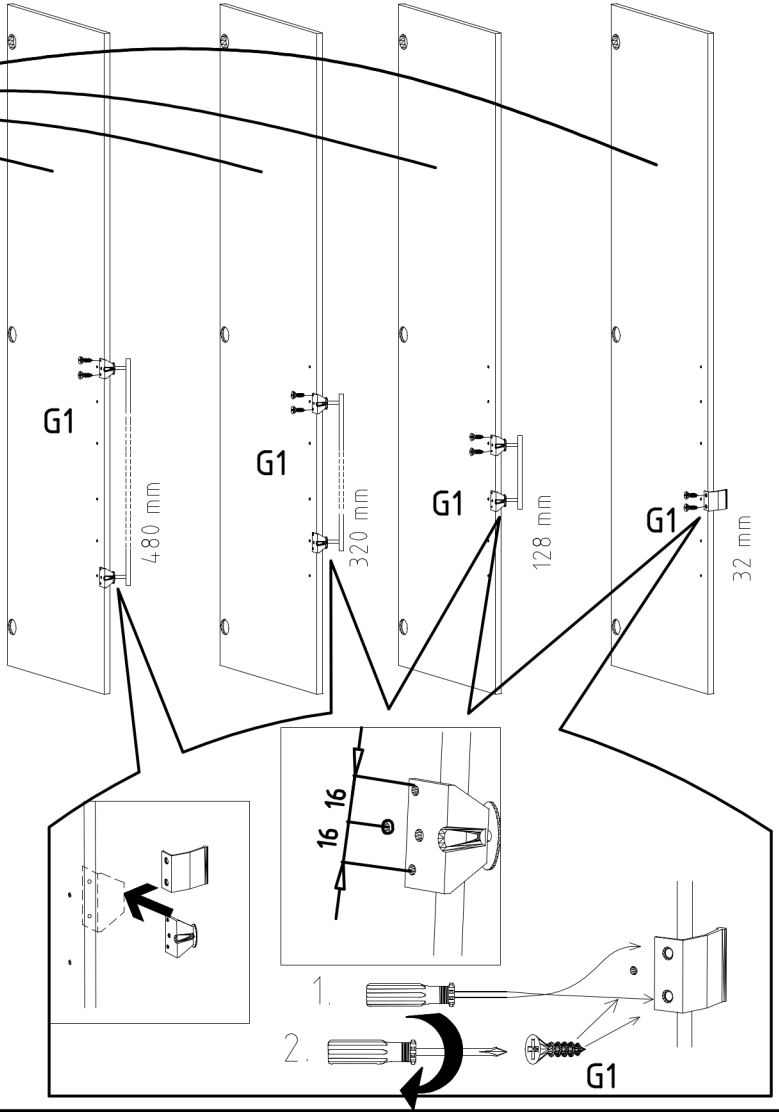
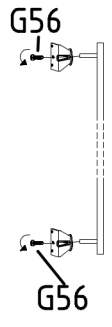
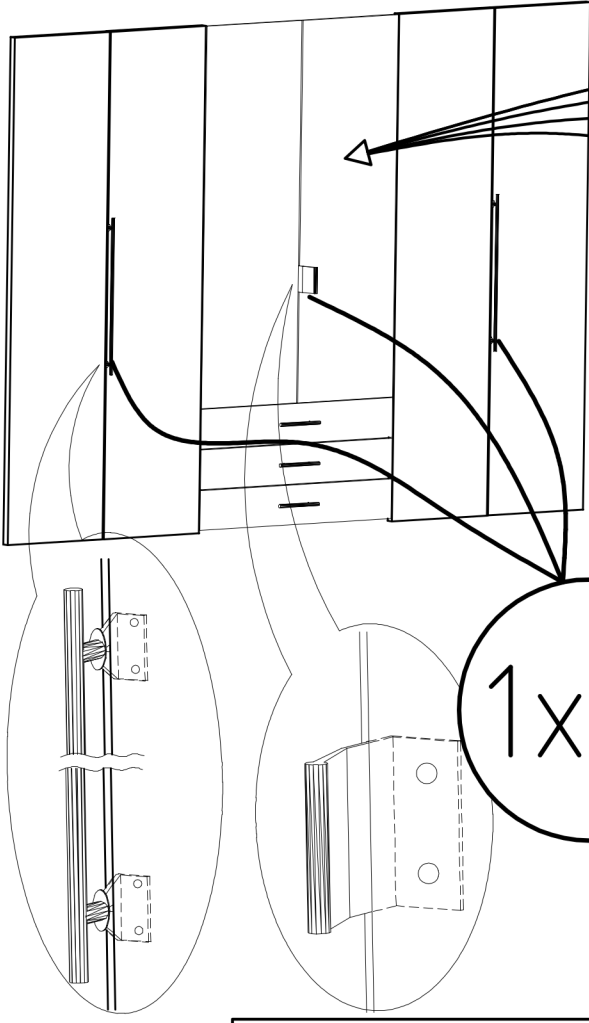


20





3,5 x 15 mm 121 370	G1	4,0 x 12 mm 122 625	G56
------------------------	----	------------------------	-----



	SP27
4 X 27mm	
122620	
4,0x22	G49
122 609	

