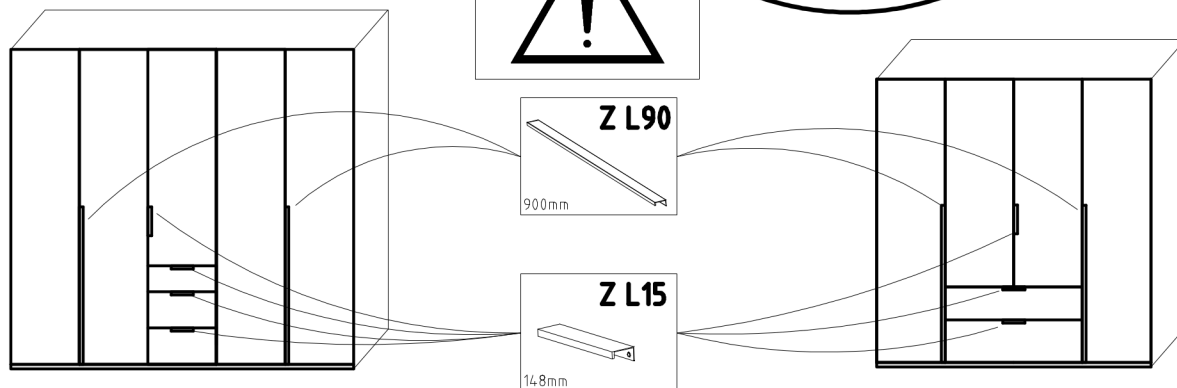
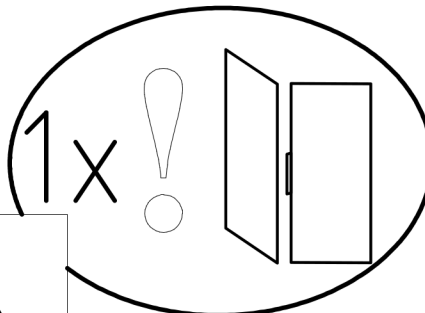
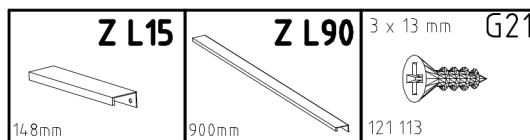
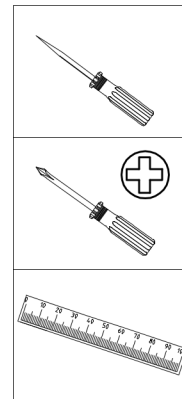
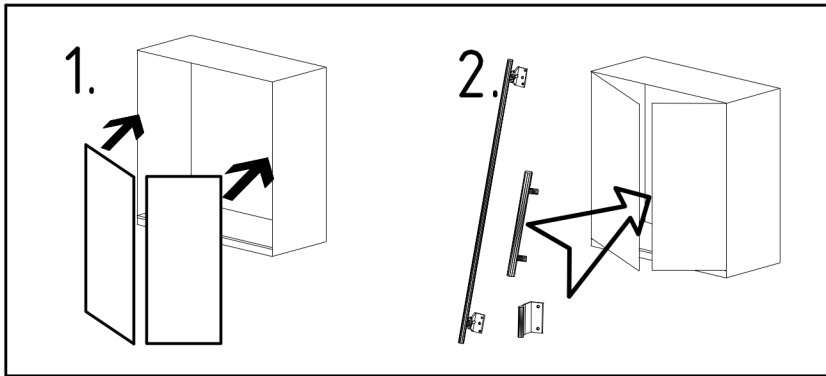
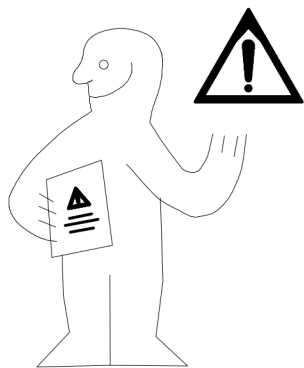
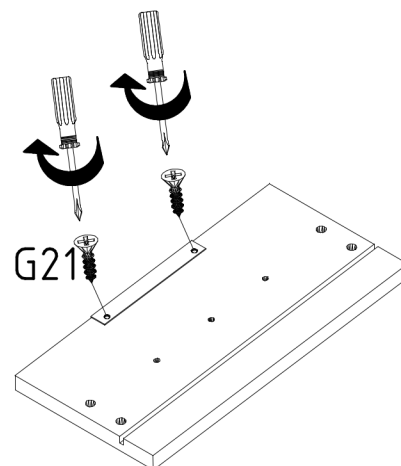
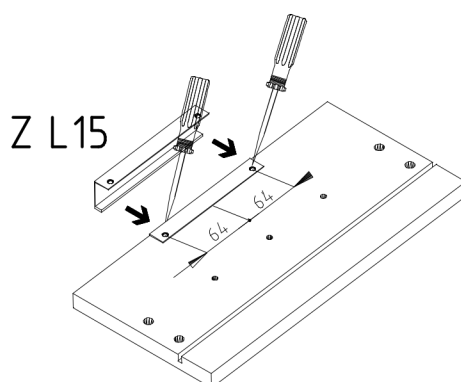
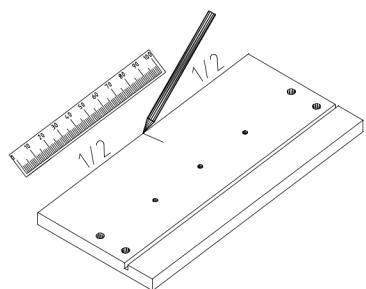
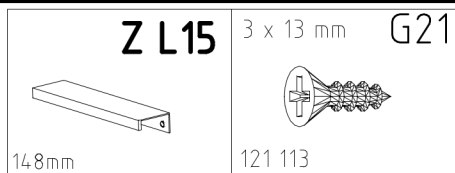


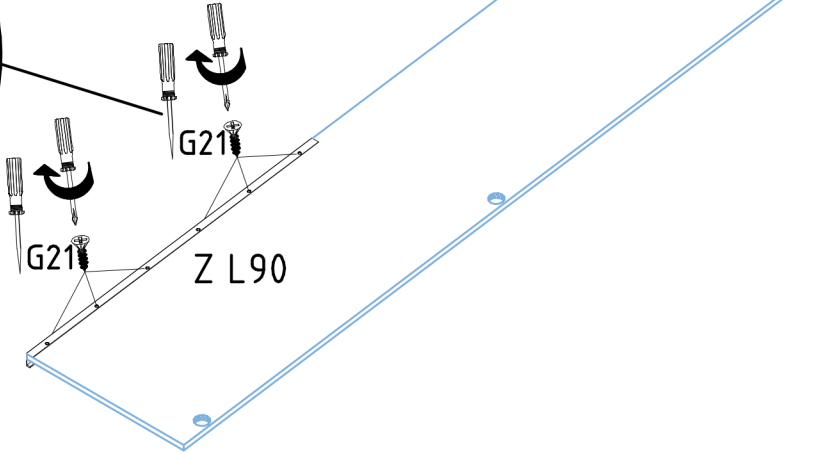
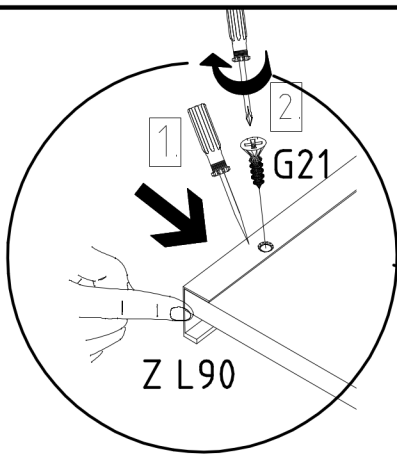
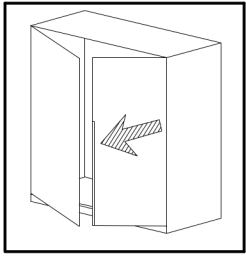
980304



1

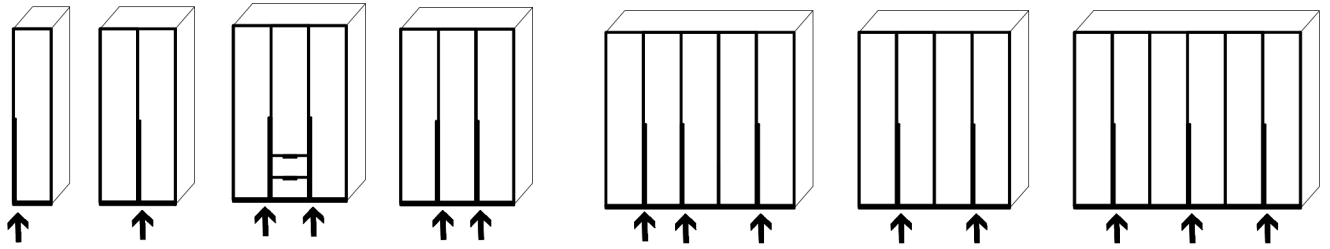
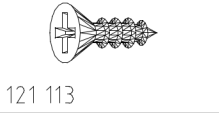


2

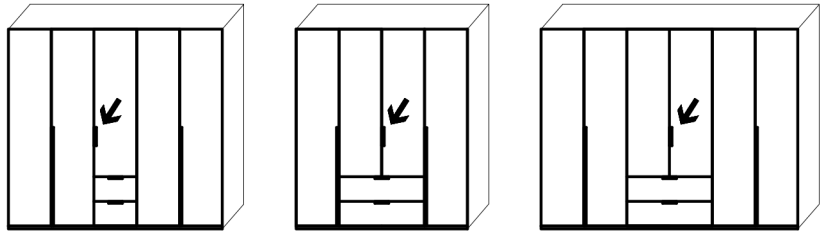
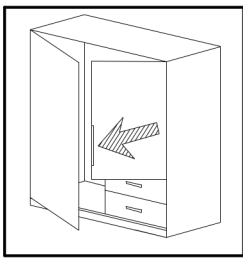


Z L90

900mm
3 x 13 mm G21

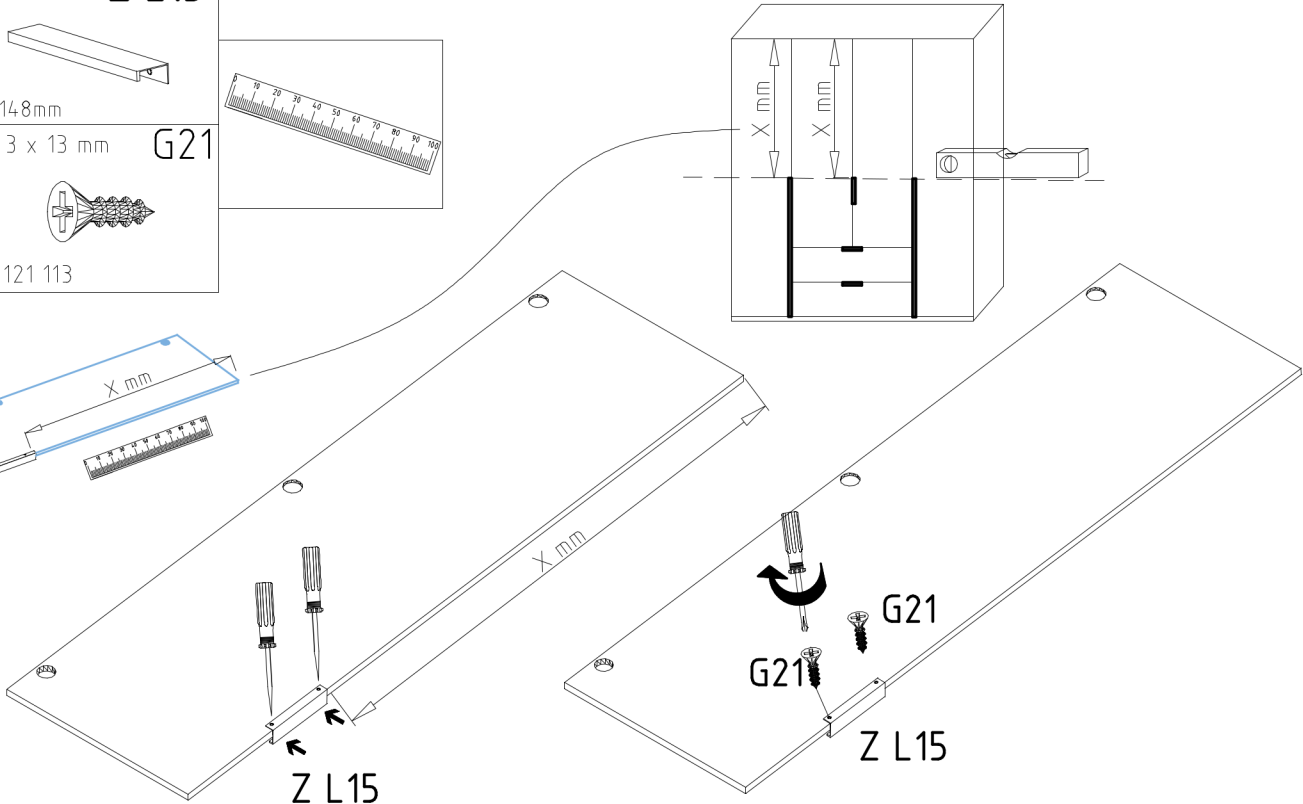
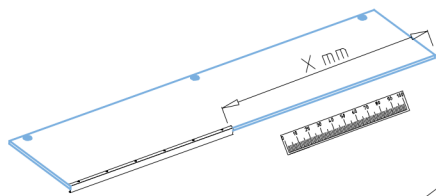
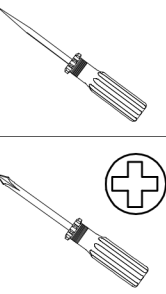
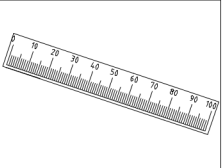


3

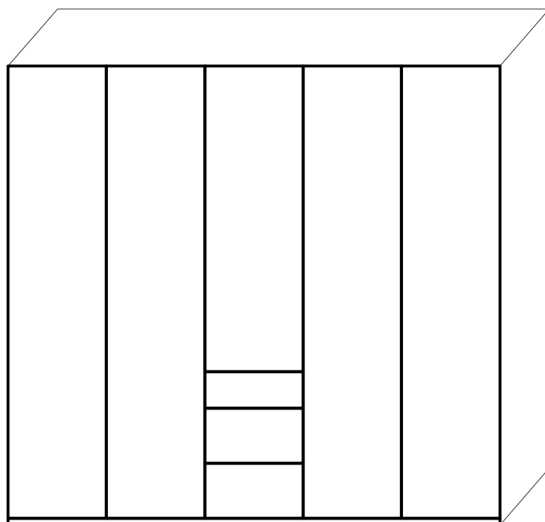
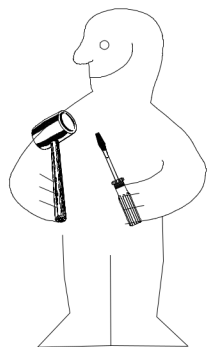


Z L15

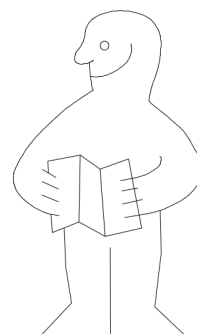
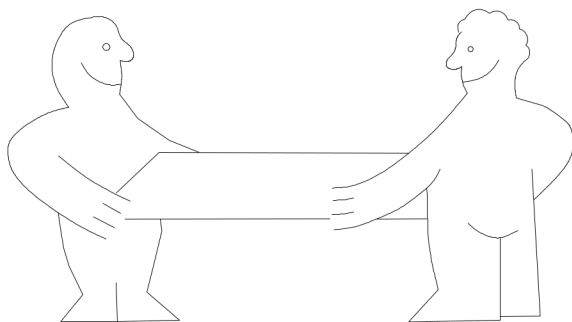
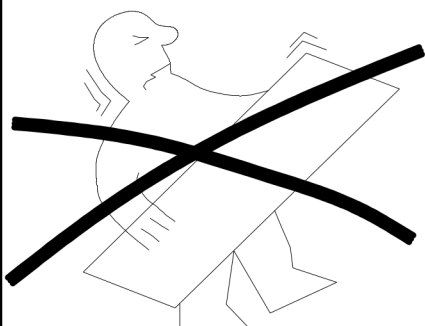
148mm
3 x 13 mm G21
121 113



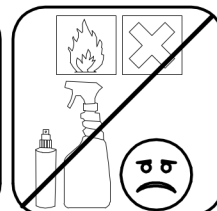
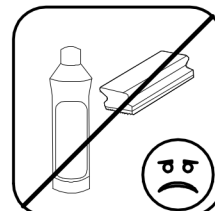
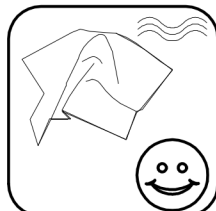
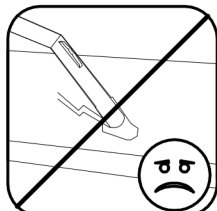
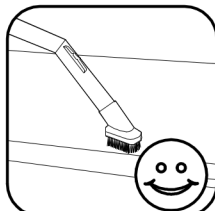
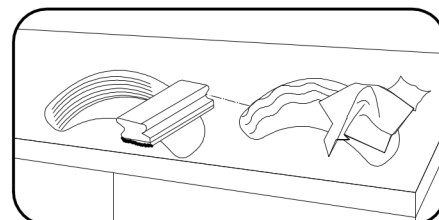
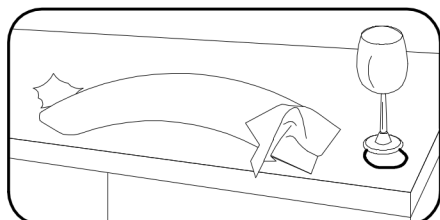
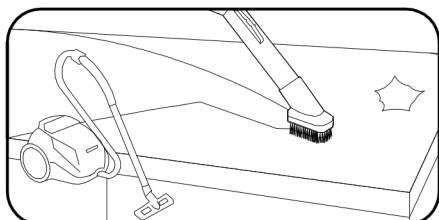
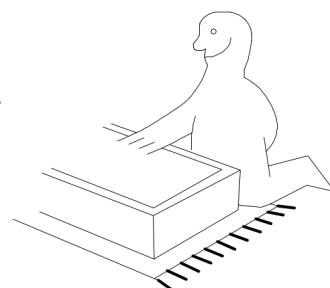
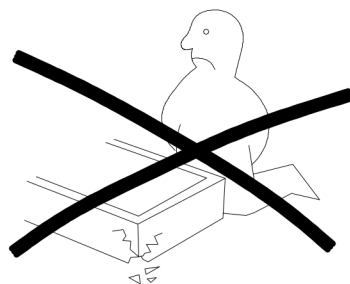
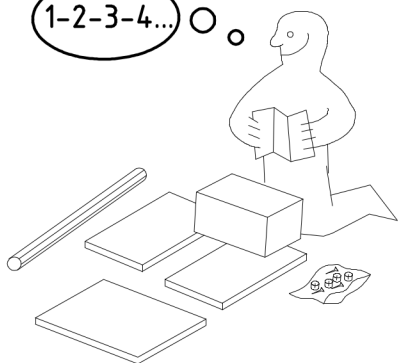
980245



SHS 225



1-2-3-4... ○ ○


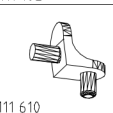
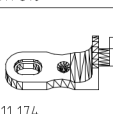
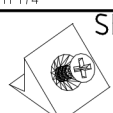


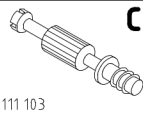
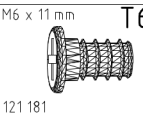
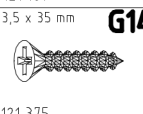
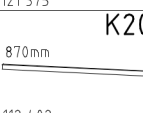
980245

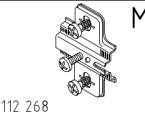
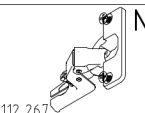
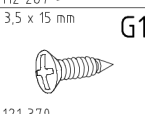

06.04.16 / -


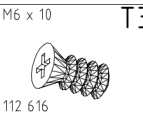
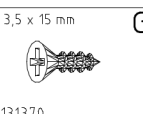
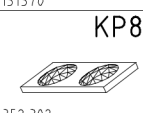
04 16



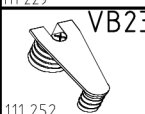
1/12

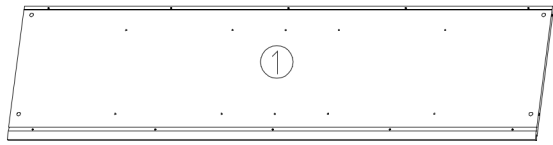
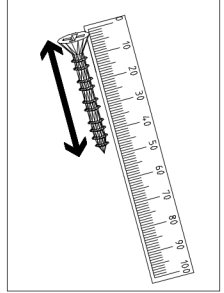
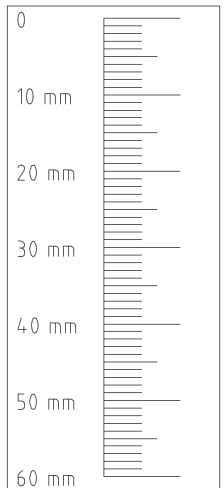
 111 102	A 16x
 111 610	L7 16x
 111 174	J1 12x
 111 174	SBV 12x

 111 103 M6 x 11 mm	C 16x
 121 181 3,5 x 35 mm	T6 12x
 121 375	G14 10x
 112 402	K20 2x

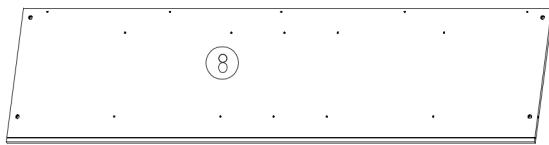
 112 268	M 19x
 112 267 3,5 x 15 mm	N 19x
 121 370	G1 16x
 117 001	K1 4x

 112 220/1 M6 x 10	Q45 3x
 112 616 3,5 x 15 mm	T3 12x
 131370	G 12x
 352 302	KP8 6x

 163 007	Z 2x
 111 229	F 4x
 111 252	VB23 4x



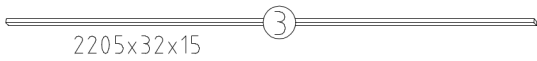
2205x560x15



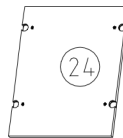
2205x560x15



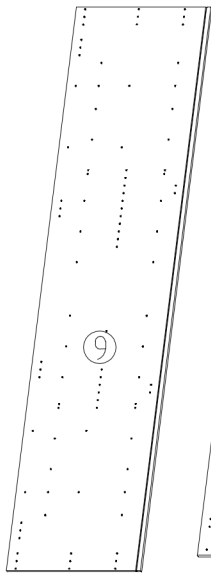
2205x32x15



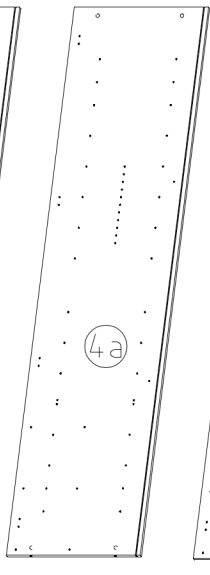
2205x32x15



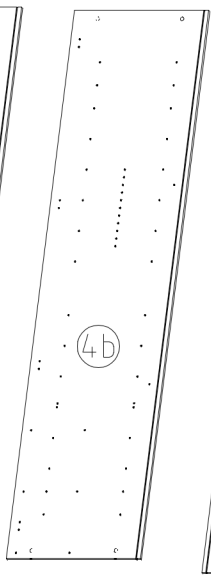
429x540x18



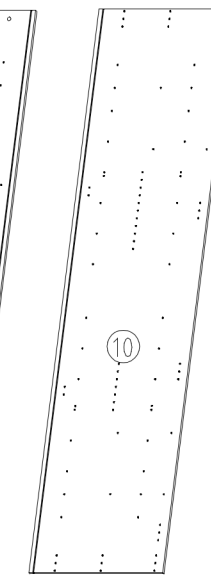
2352x560x15



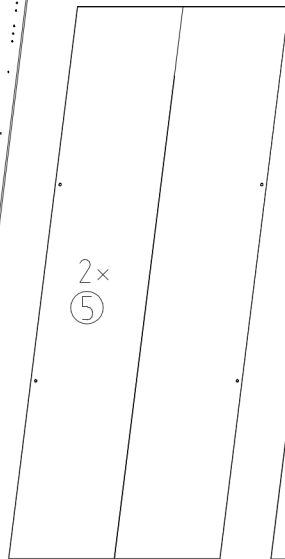
2289x560x15



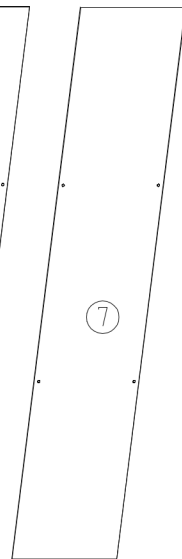
2289x560x15



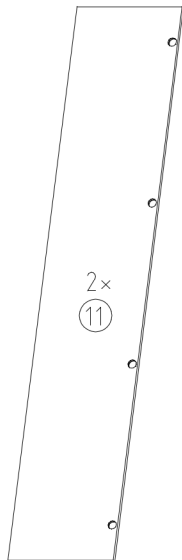
2352x560x15



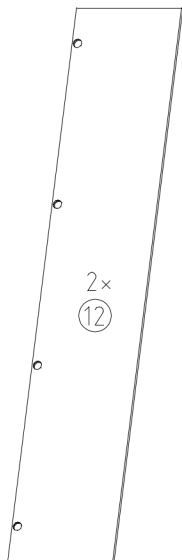
2303x882x2,5



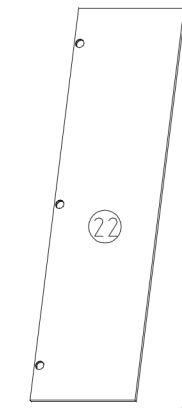
2303x438x2,5



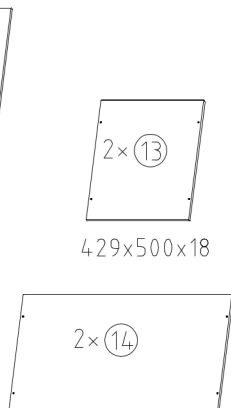
2310x439x15



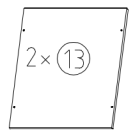
2310x439x15



1638x439x15



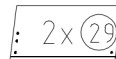
873x500x18



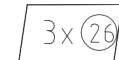
429x500x18



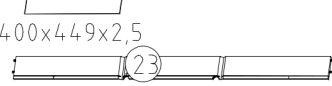
439x156x15



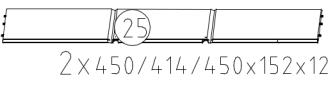
439x252x15



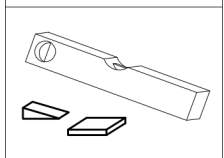
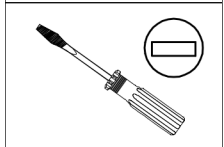
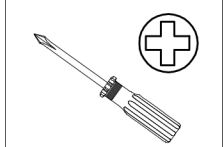
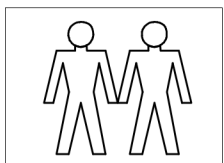
400x449x2,5



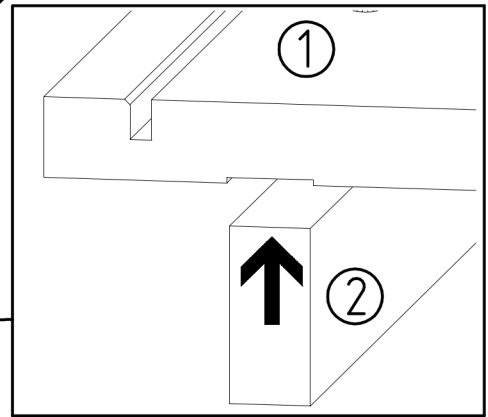
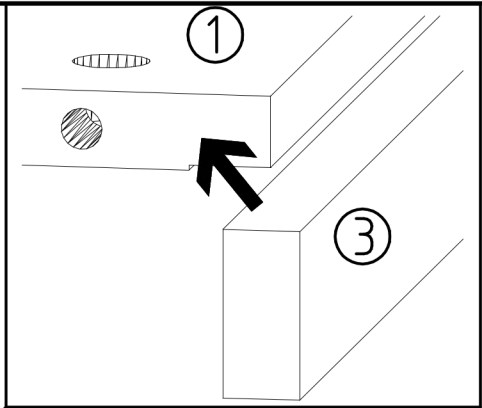
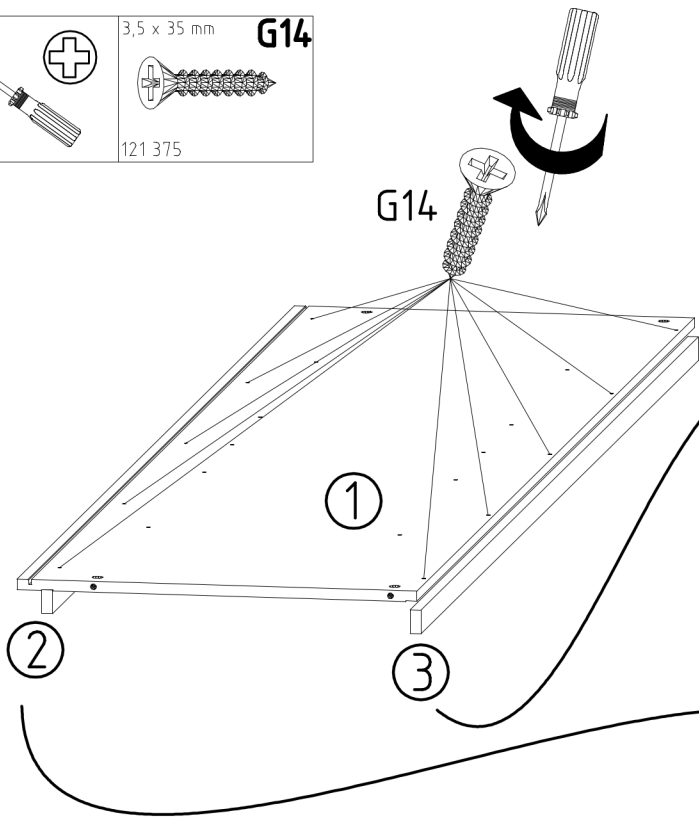
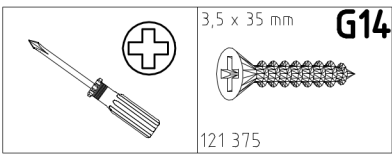
450/414/450x92x12



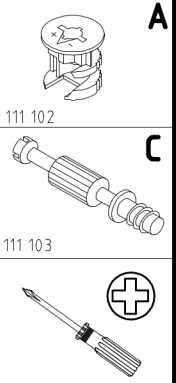
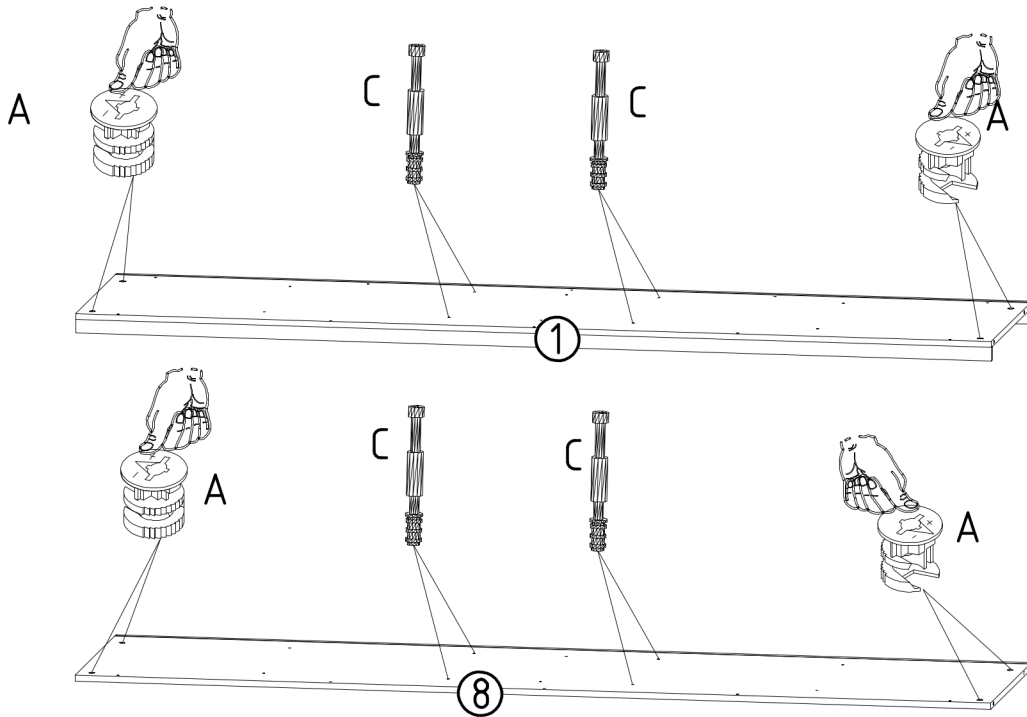
2x450/414/450x152x12



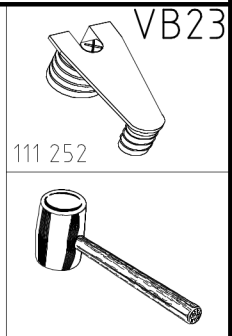
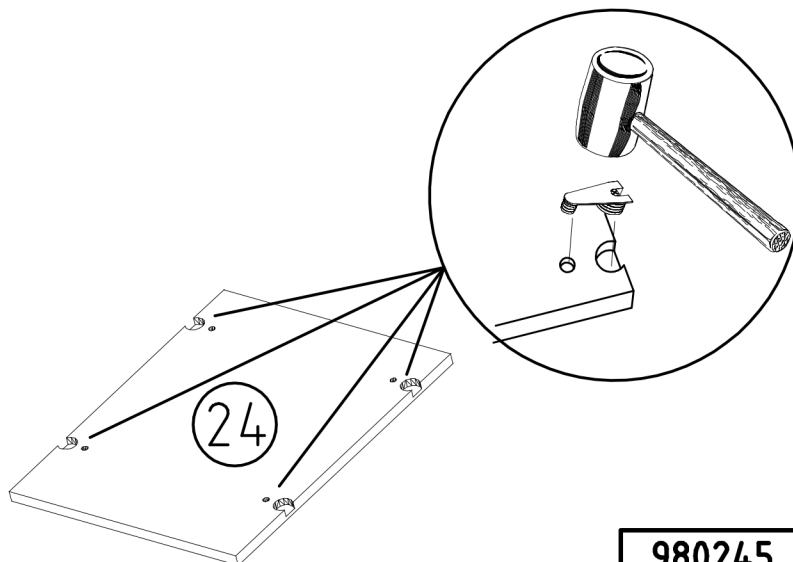
1



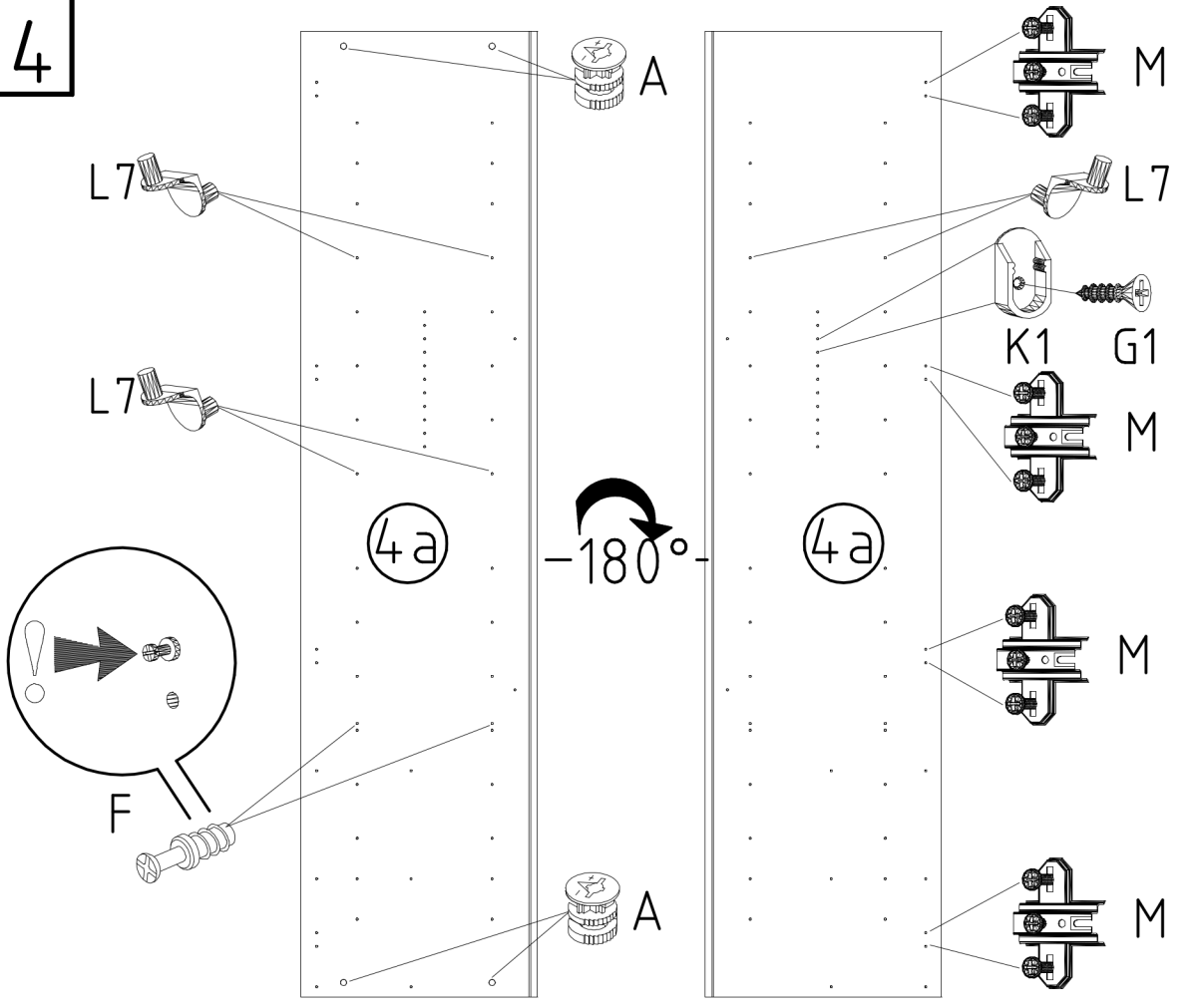
2

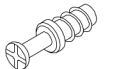

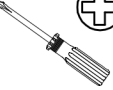

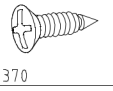

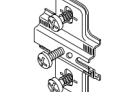


3

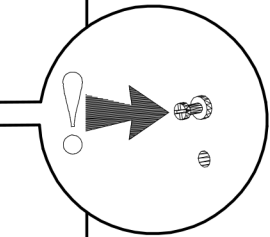
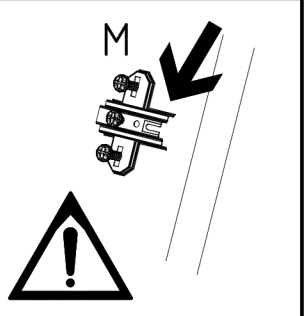
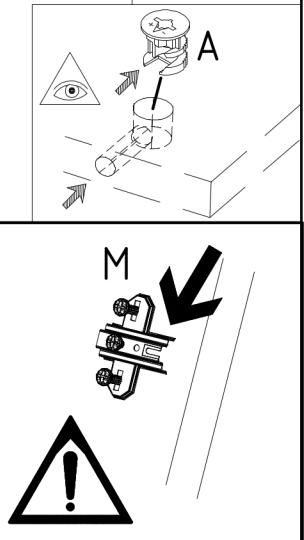
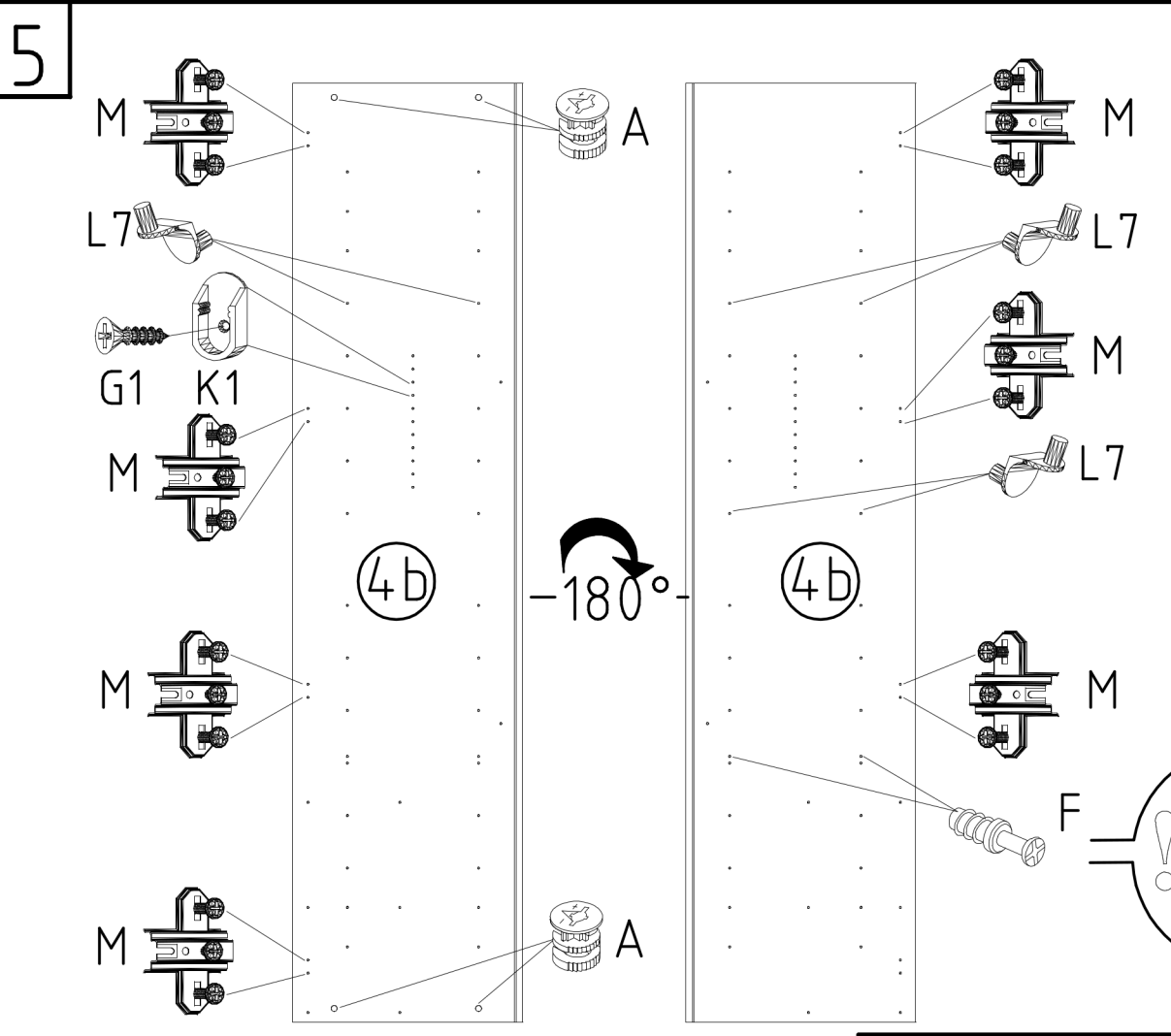


4

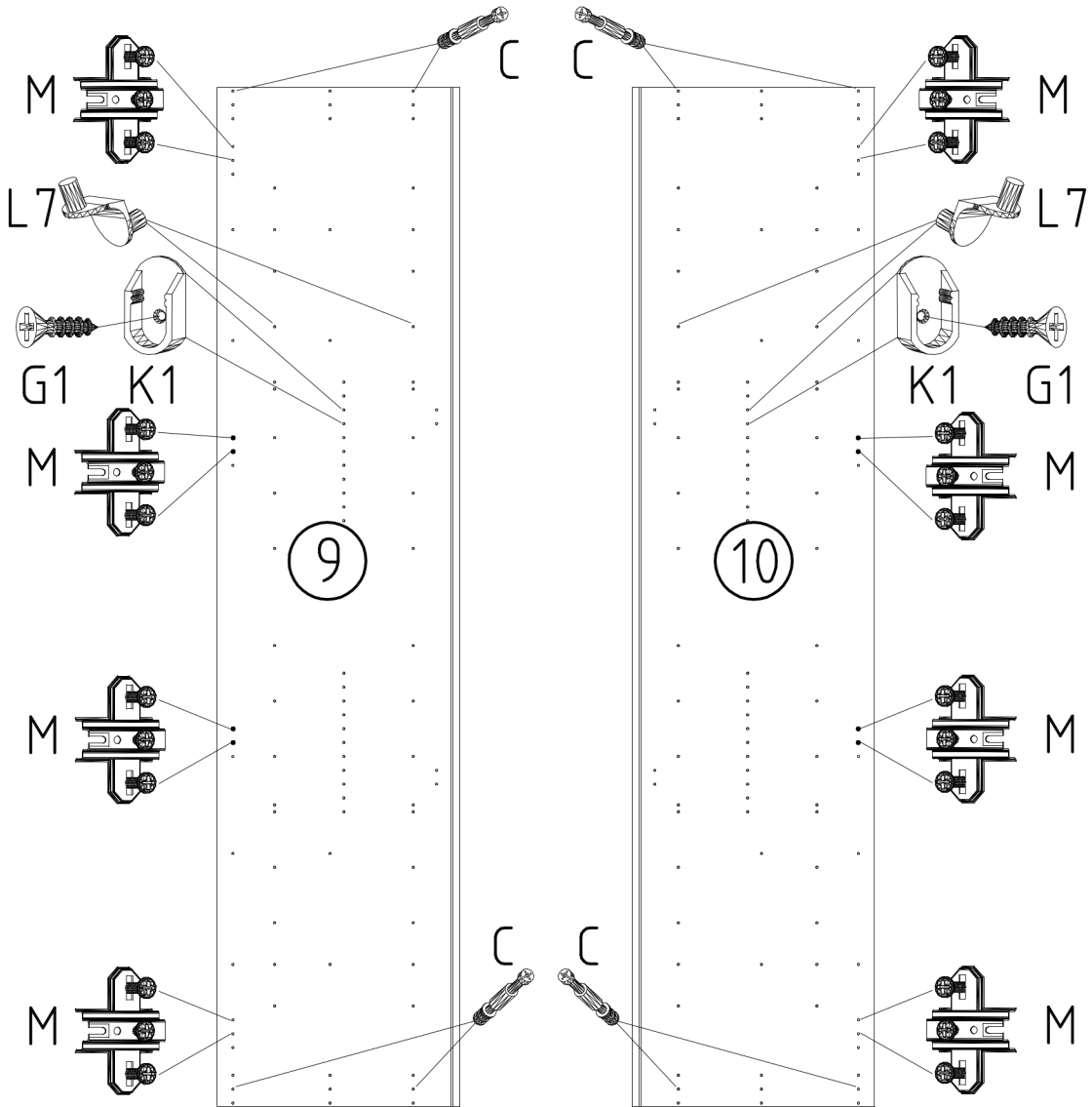


-  F
- 111 229
-  L7
- 111 610
- 
-  K1
- 117 001
3,5 x 15 mm
-  G1
- 121 370
-  A
- 111 102
-  M
- 112 268

5



6



L7
111 610

+
117 001
3,5 x 15 mm

K1
121 370

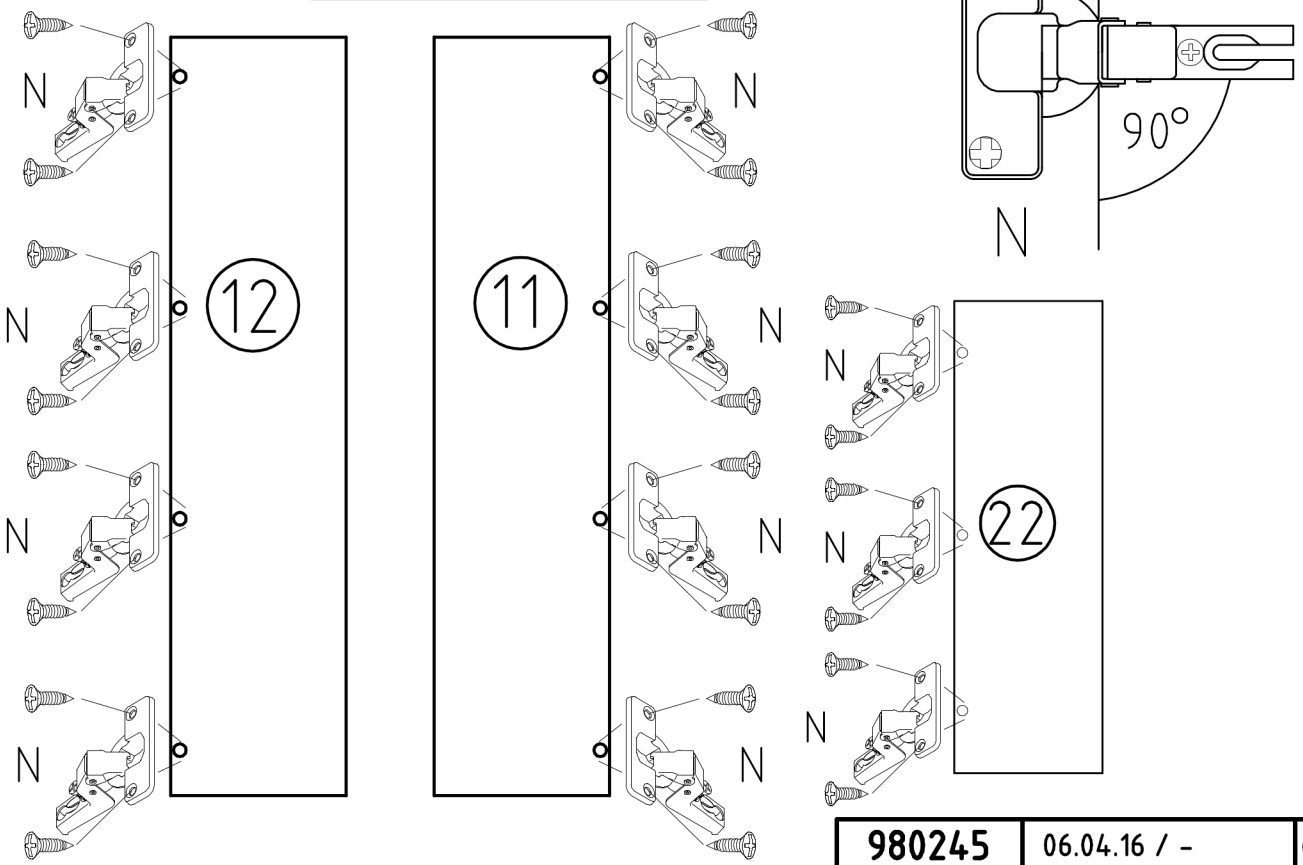
C
111 103

M
112 268

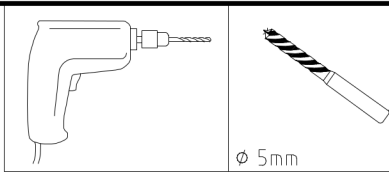
7

N
112 267

+

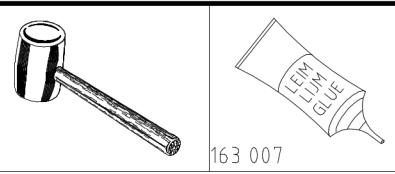


8



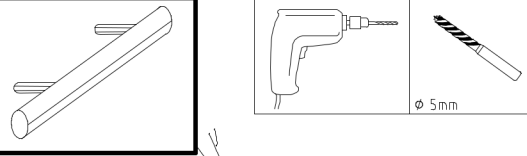
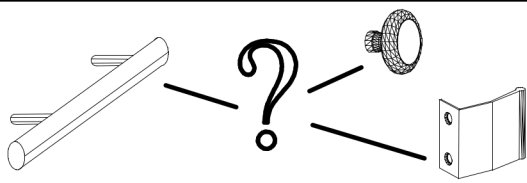
ø 5mm

9

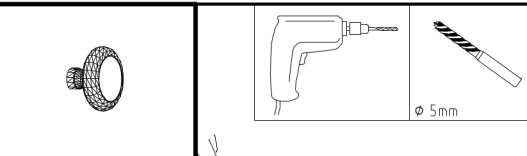
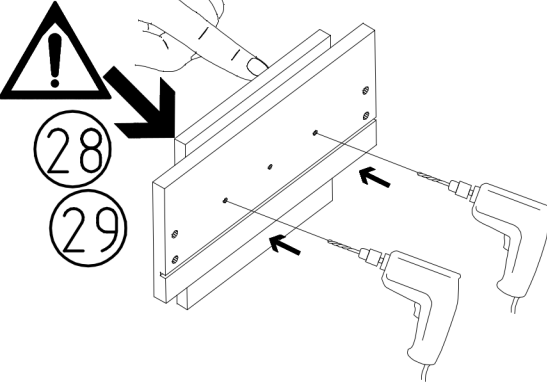


163 007

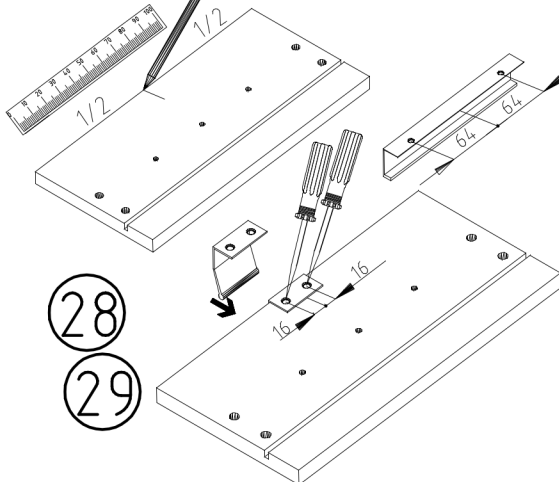
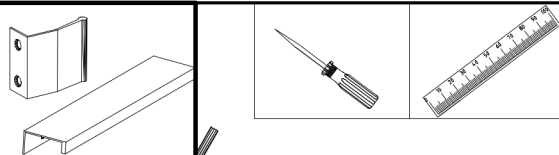
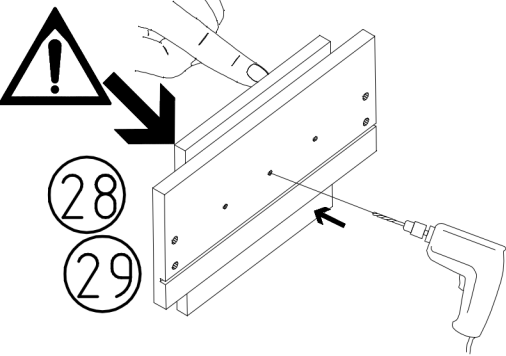
Z



ø 5mm

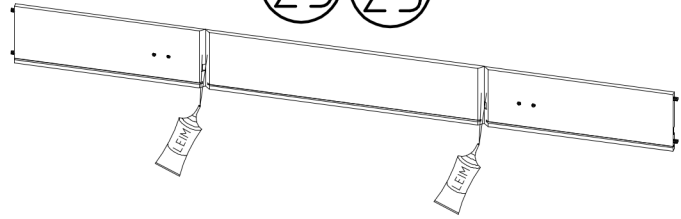


ø 5mm

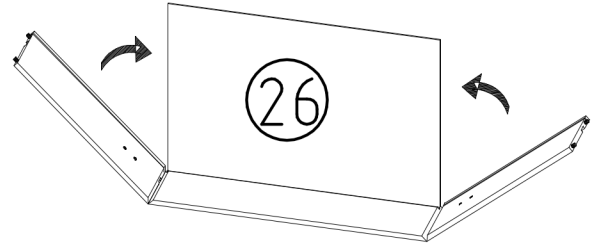


23 25

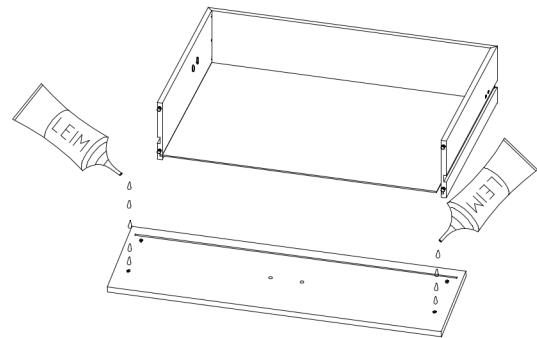
A



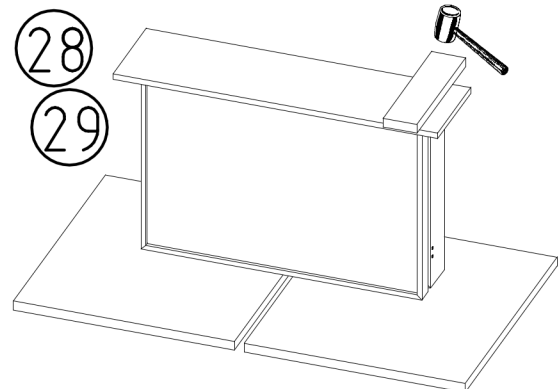
B



C



D

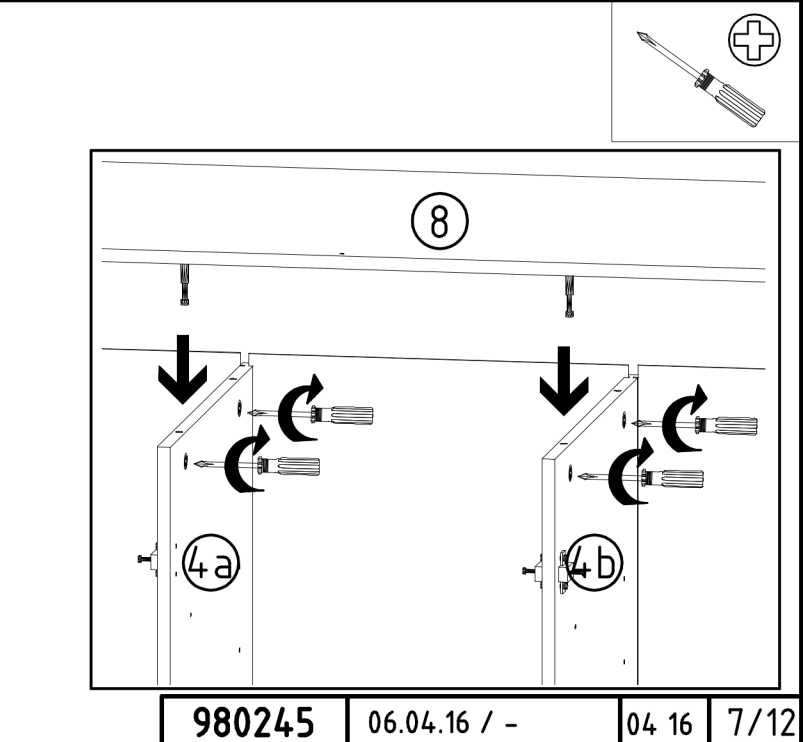
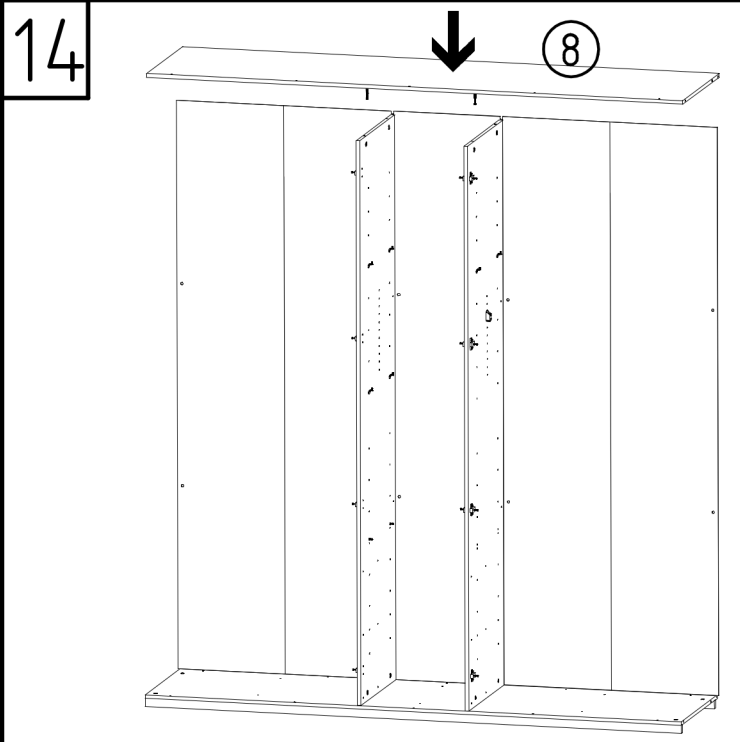
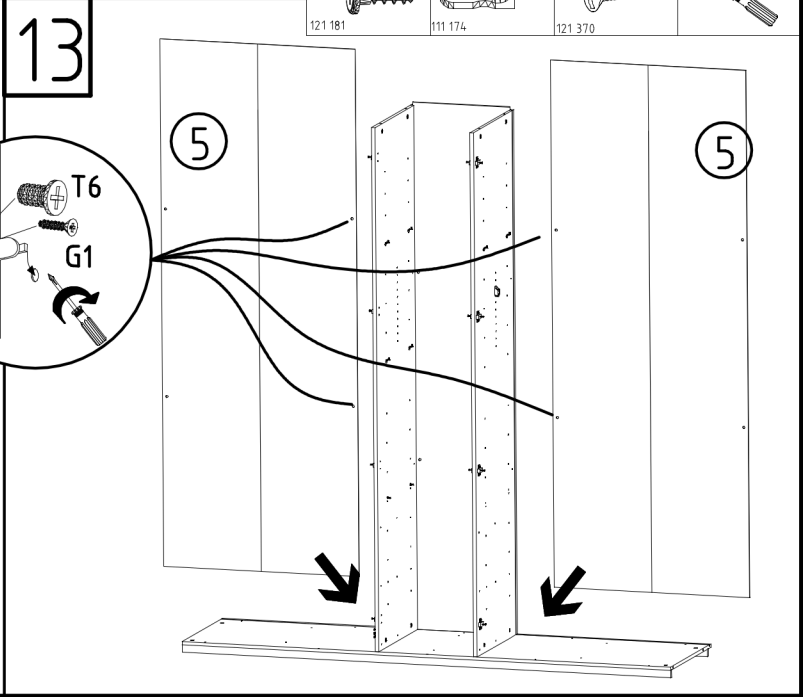
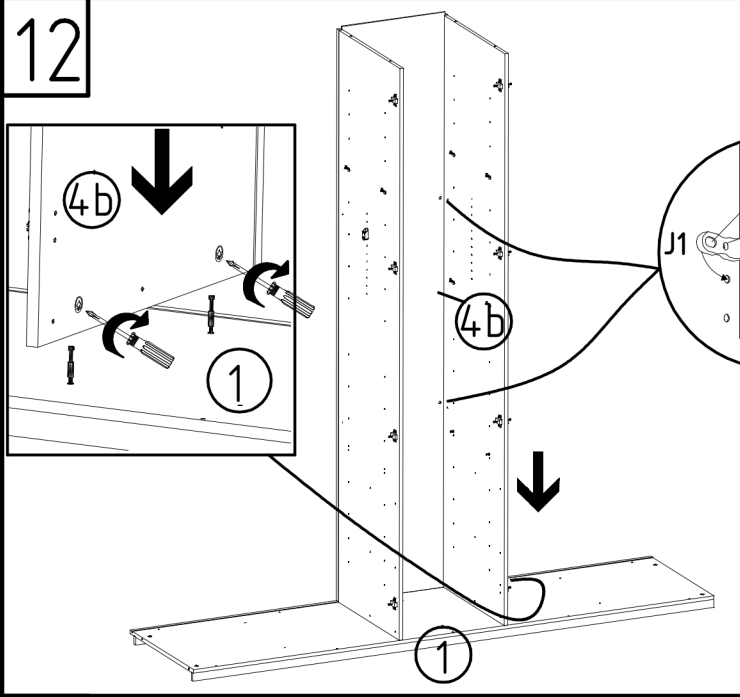
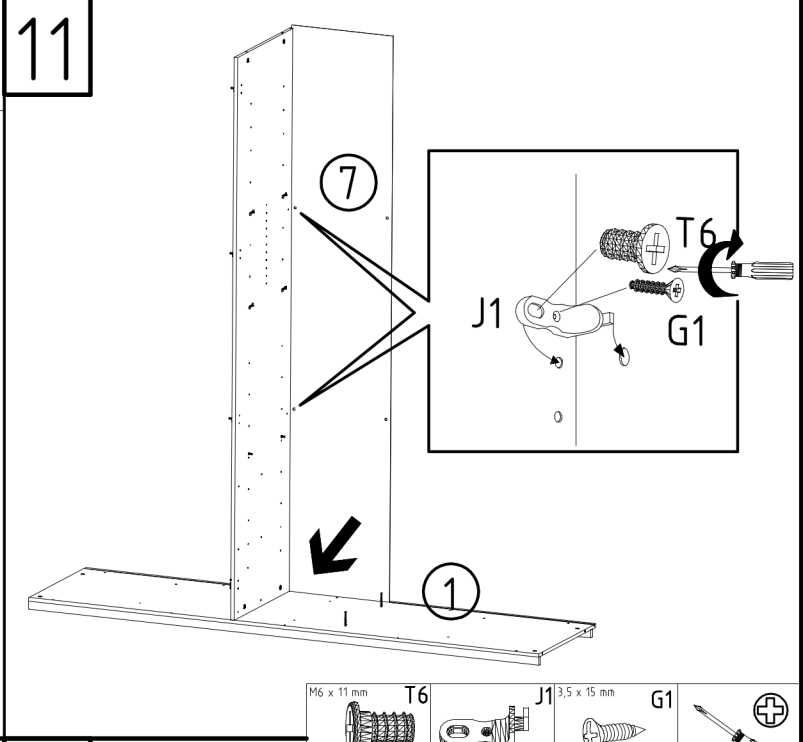
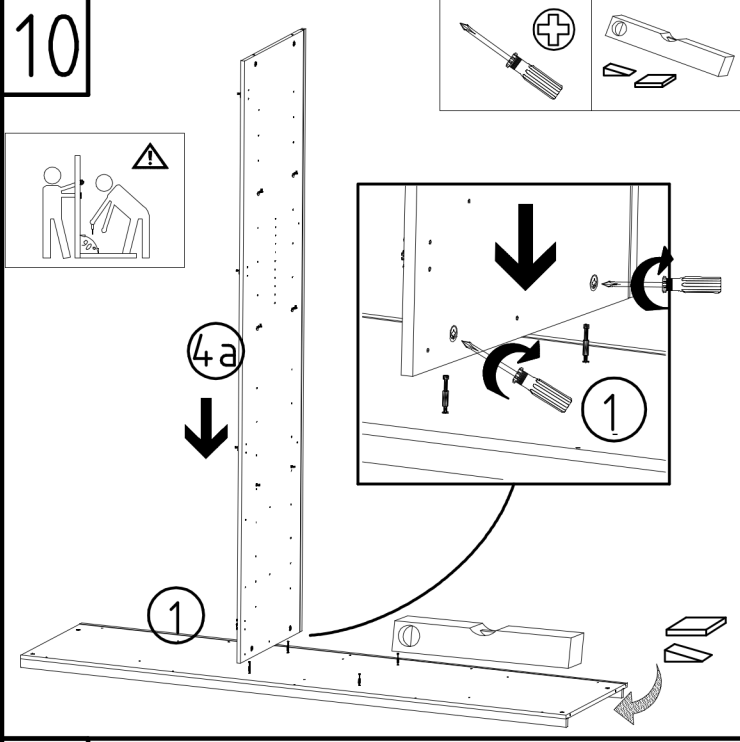


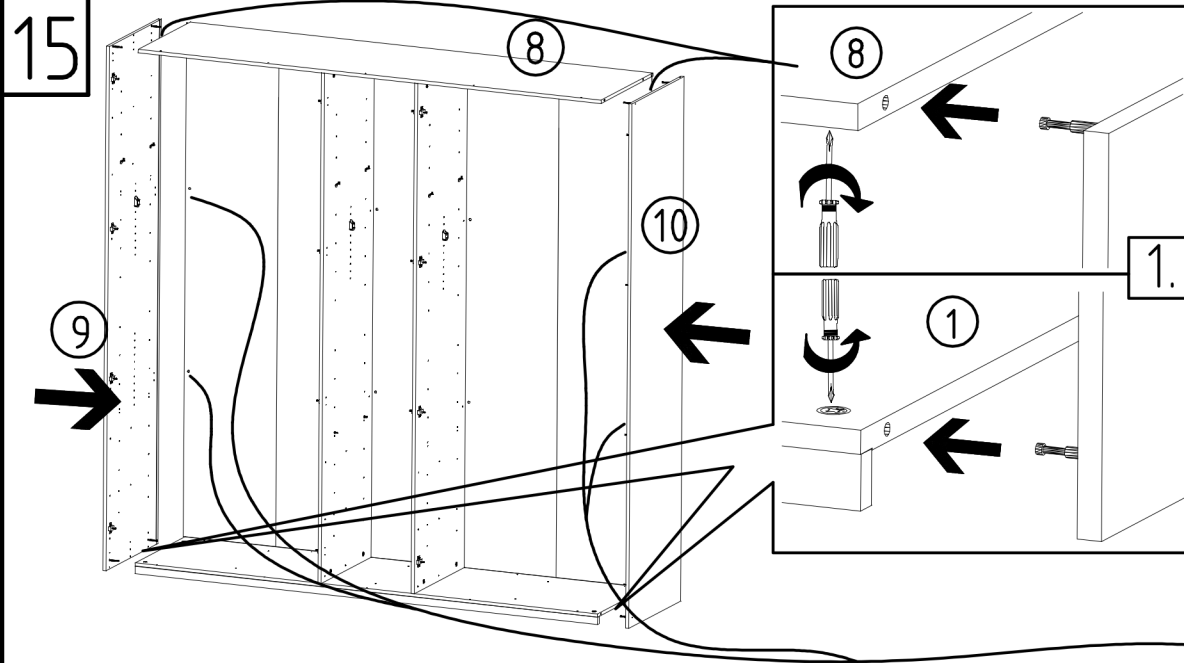
980245

06.04.16 / -

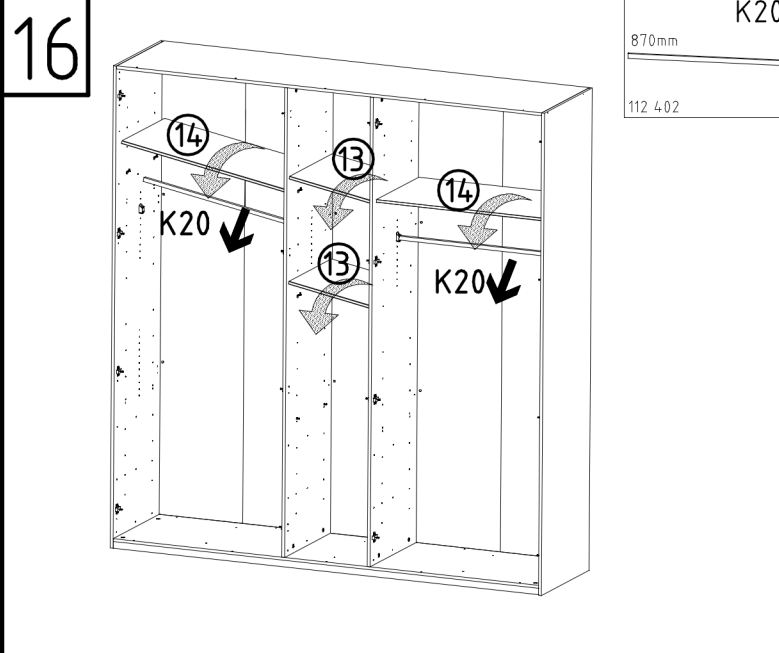
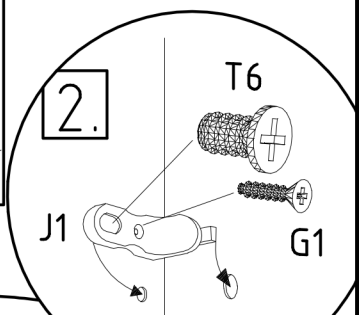
04 16

6/12

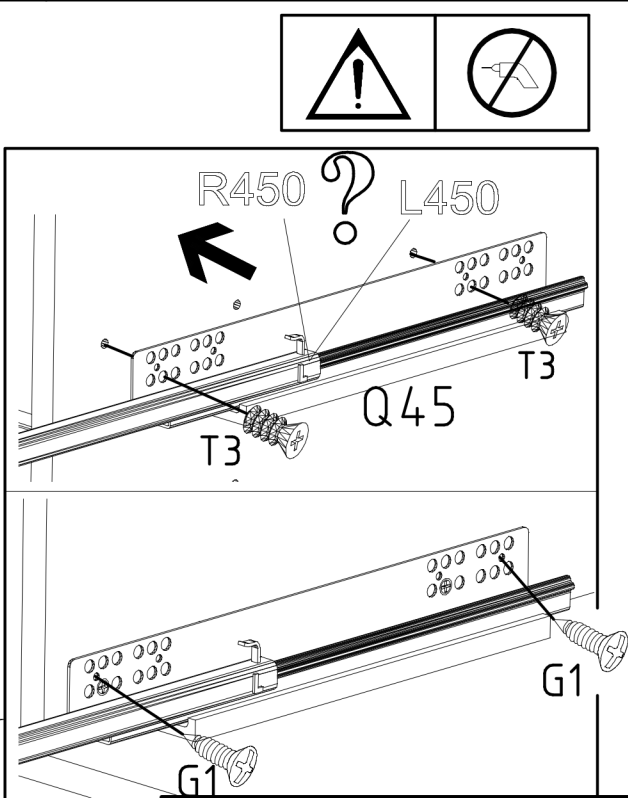
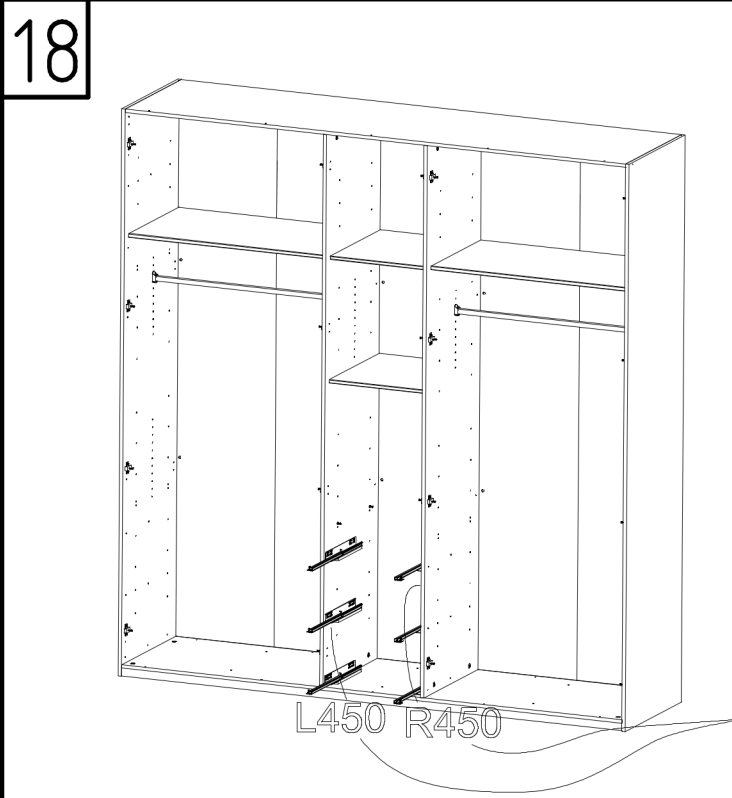
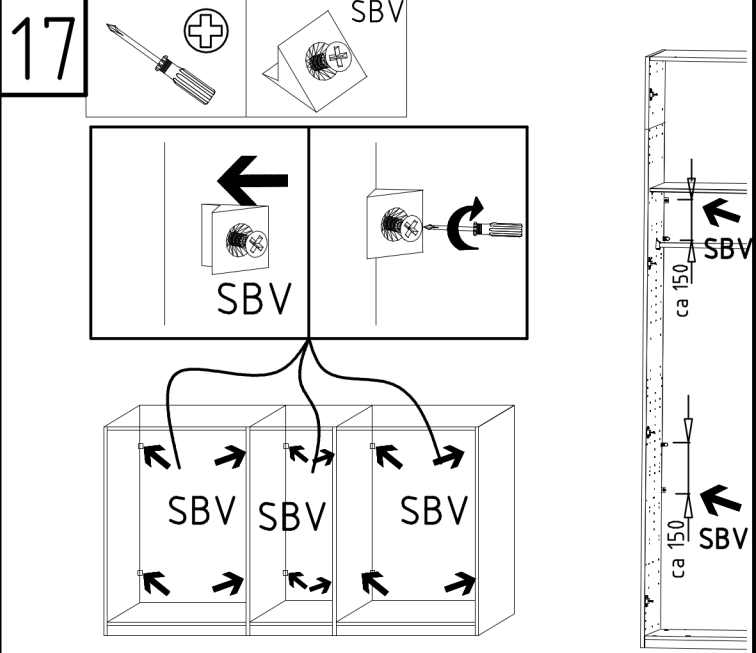




3,5 x 15 mm 121 370	G1	M6 x 11 mm 121 181	T6
			J1
		111 174	

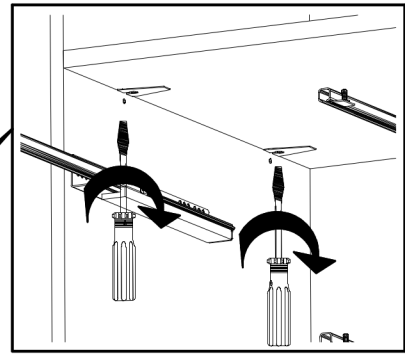
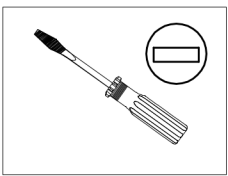
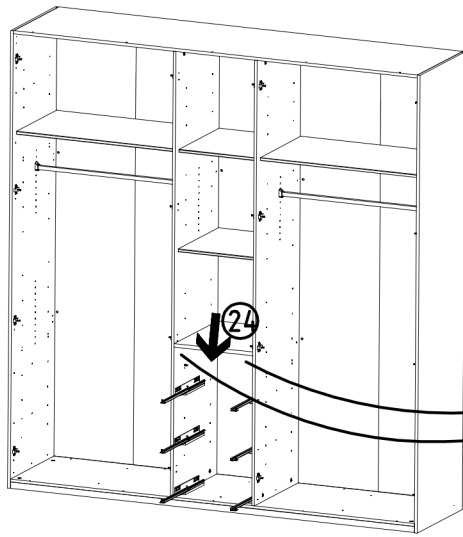


870mm
K20
112 402

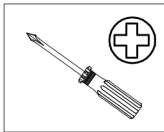
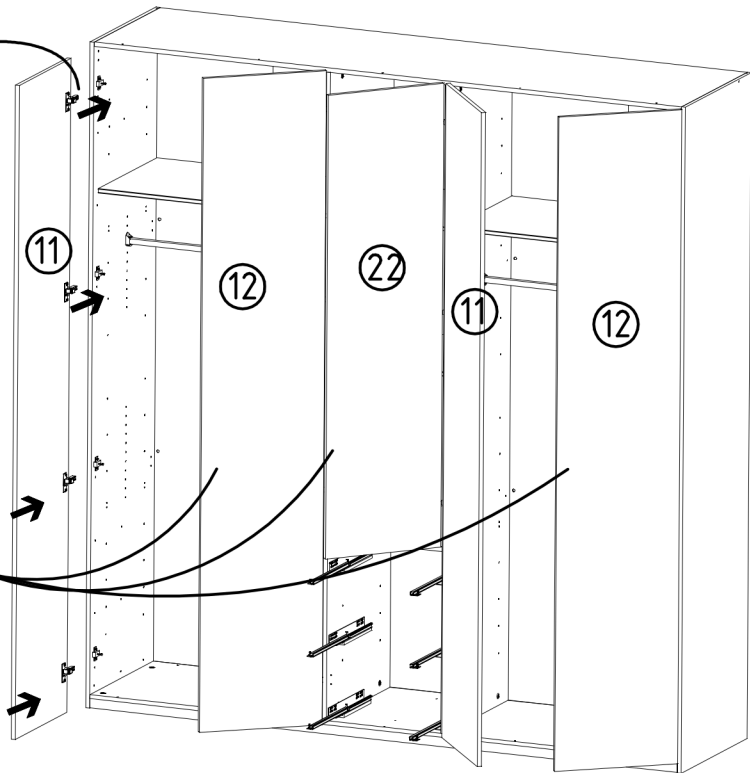
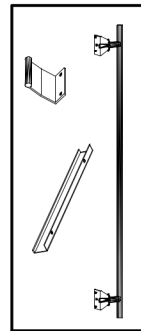
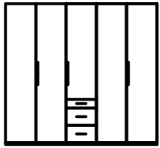
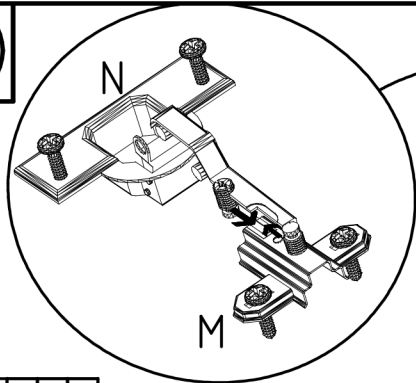


Q45 112 220/1 M6 x 10	T3
112 616 3,5 x 15 mm	G1
121 370	

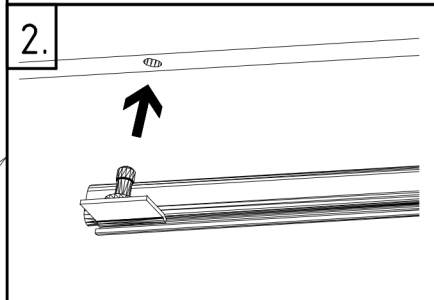
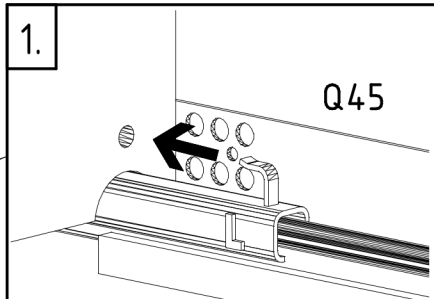
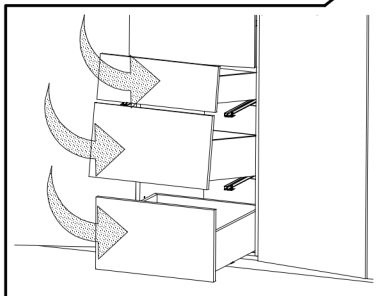
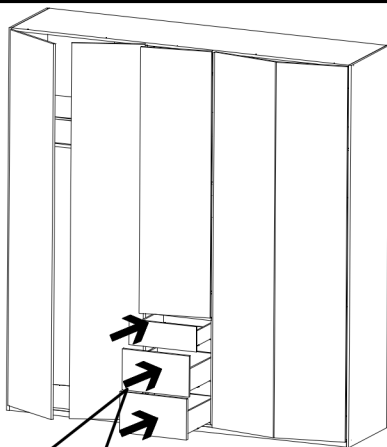
19



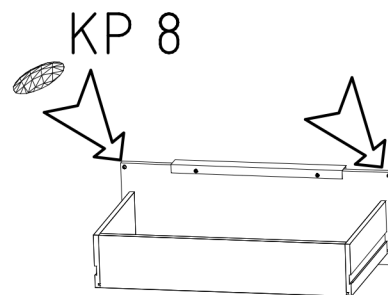
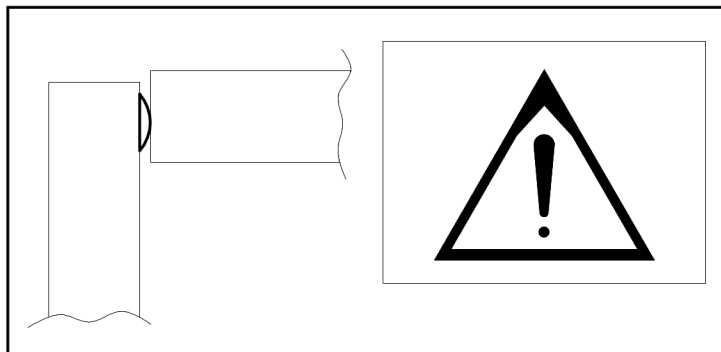
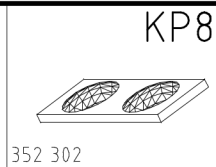
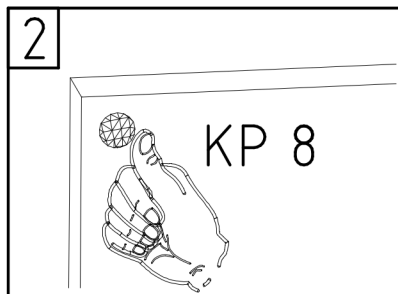
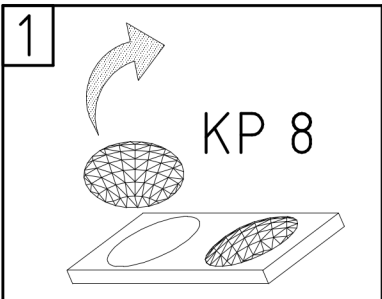
20

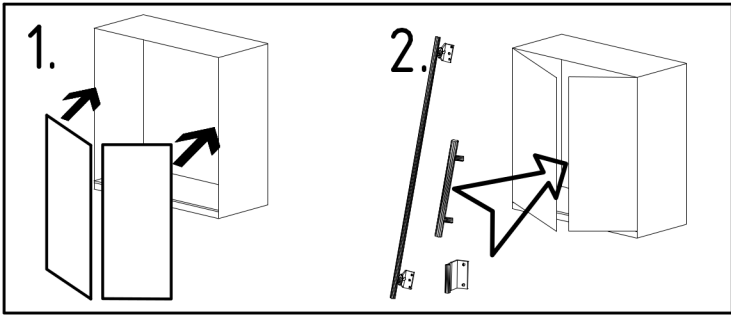


21

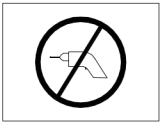
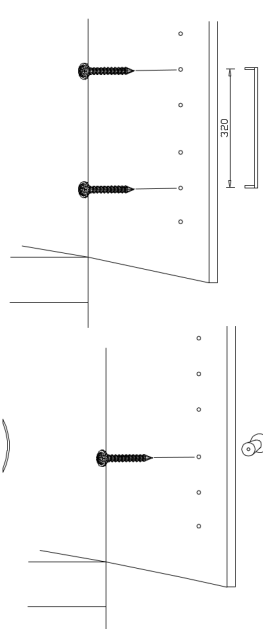
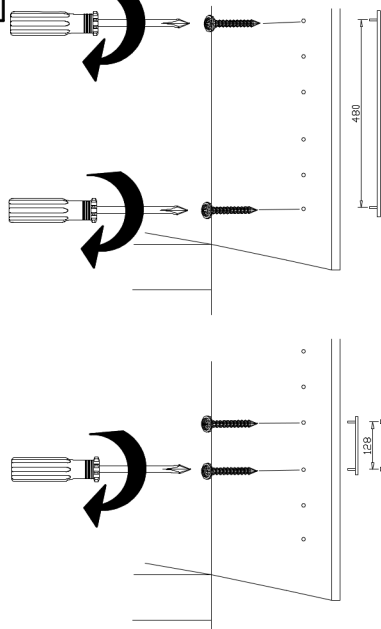
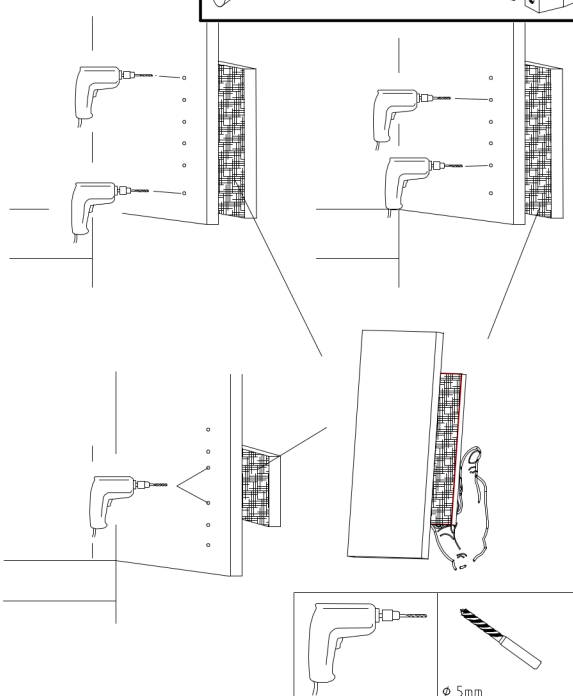
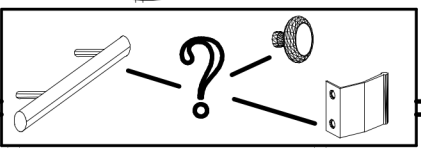
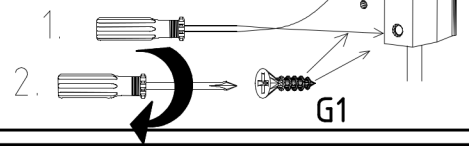
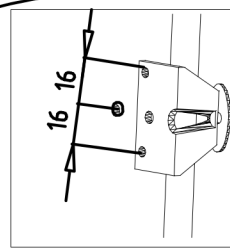
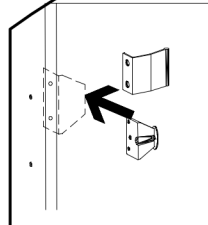
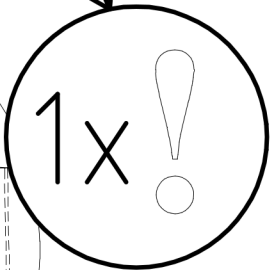
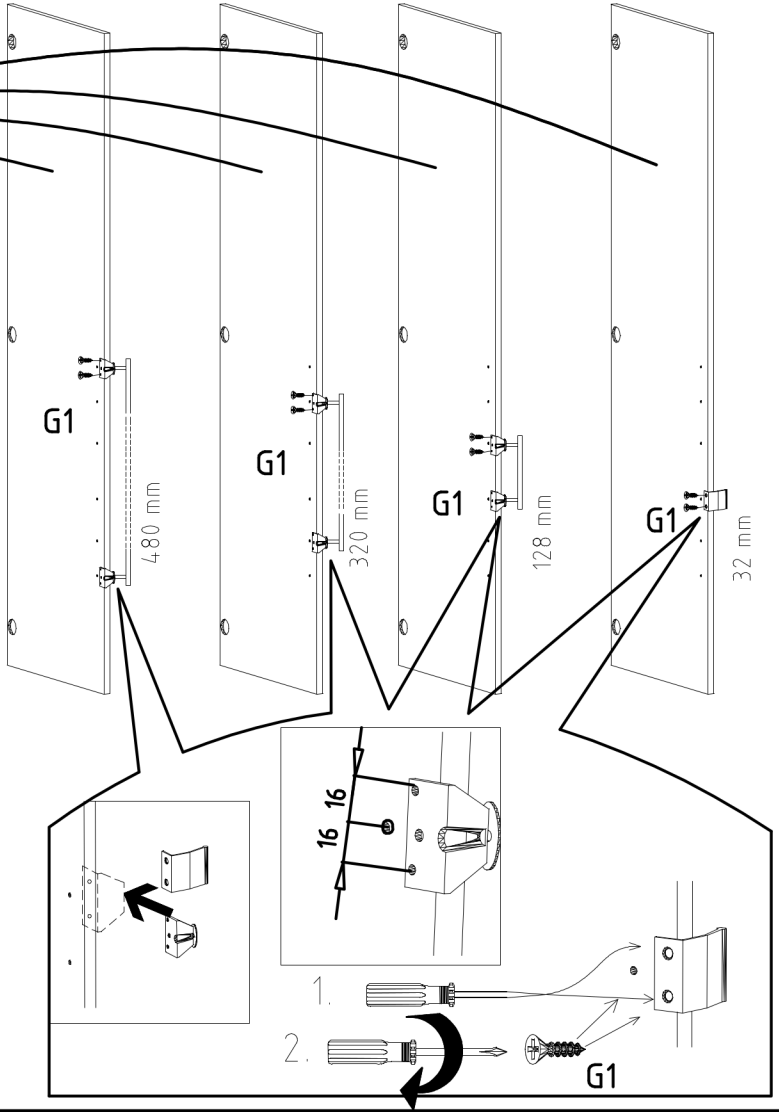
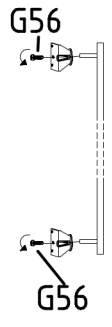
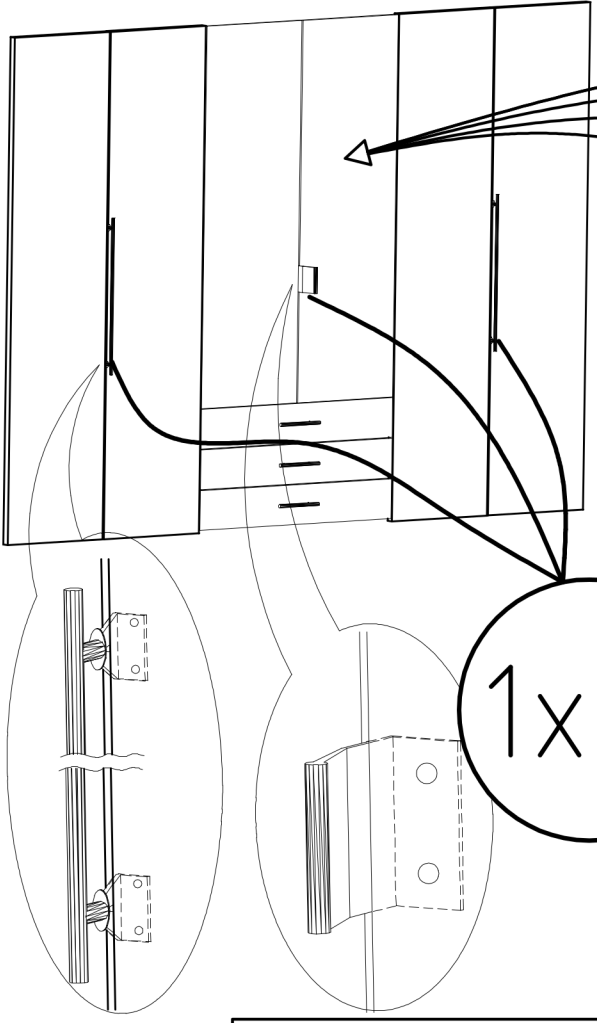


22

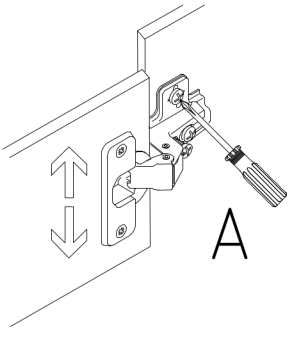




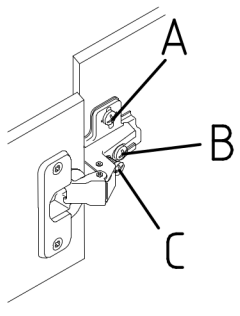
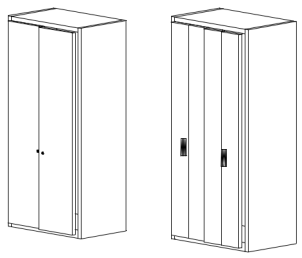
3,5 x 15 mm 121 370	G1	4,0 x 12 mm 122 625	G56
------------------------	----	------------------------	-----



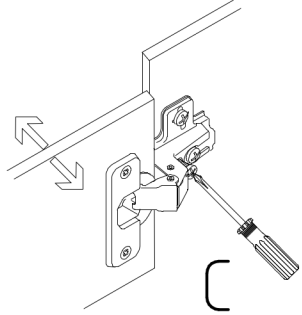
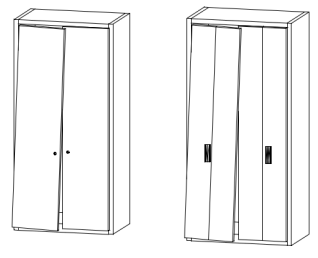
	SP27
	4 X 27mm
122620	G49
4,0x22	
122 609	



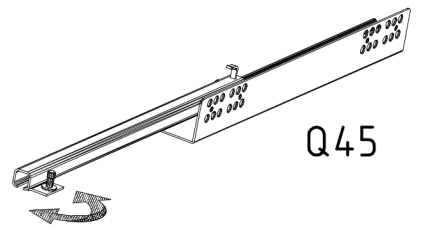
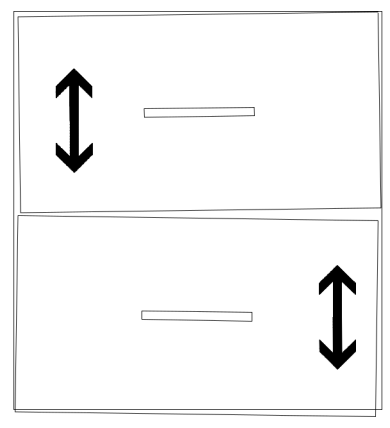
A



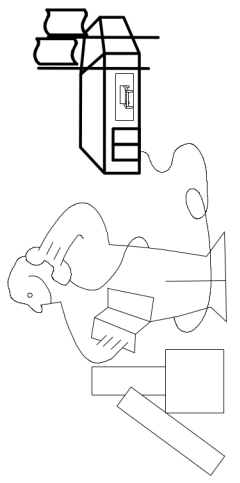
B



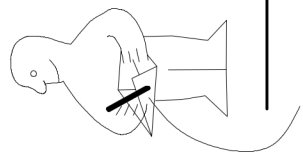
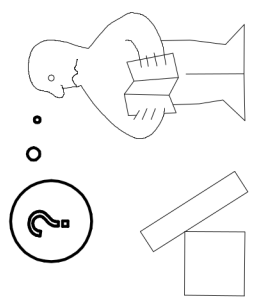
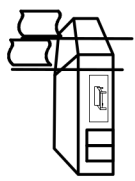
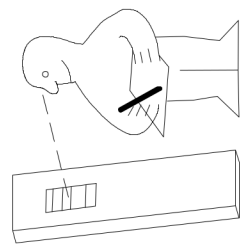
C

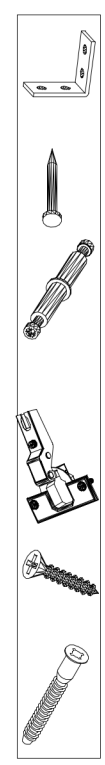


Q45



Modell/Model/Modèle





(121 370)	(G 1)	(4x)				