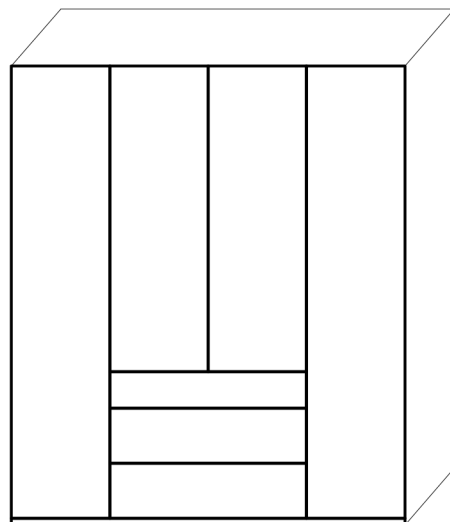
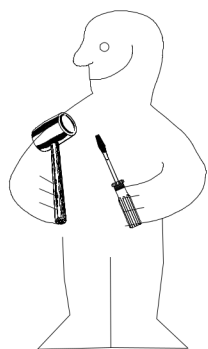
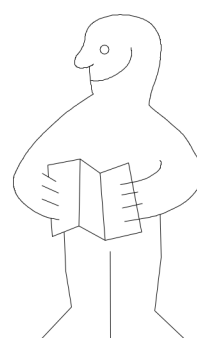
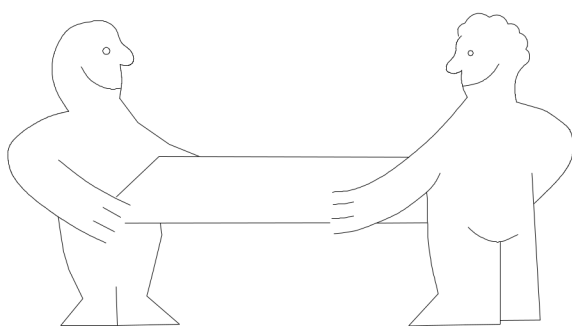
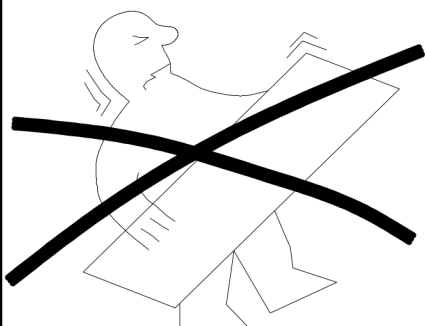


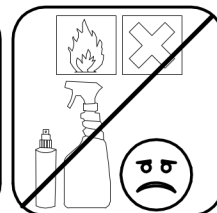
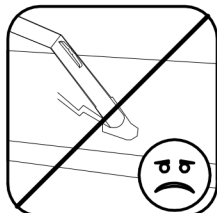
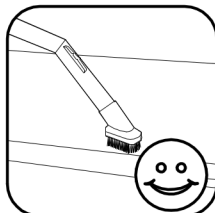
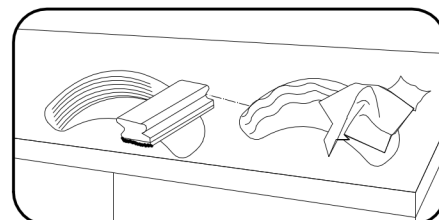
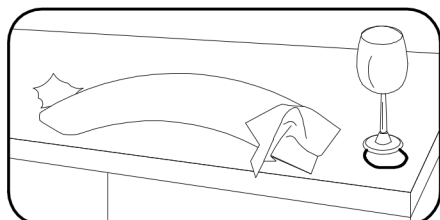
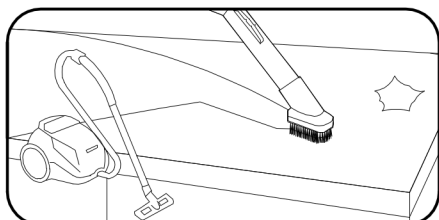
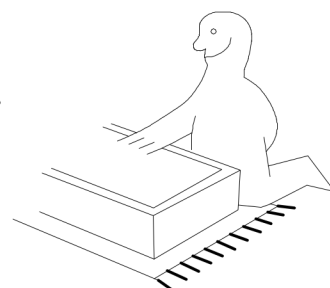
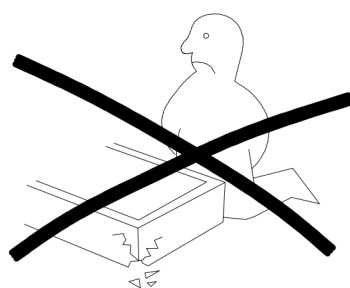
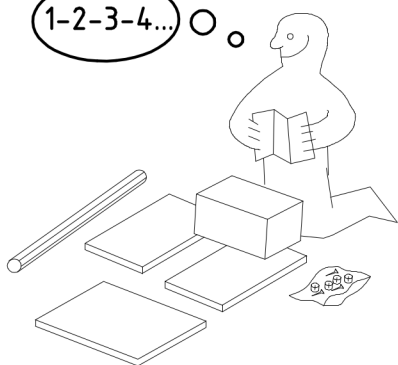
980244



SHS 180



1-2-3-4... ○ ○

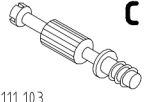
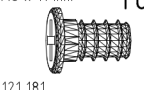



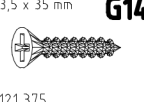


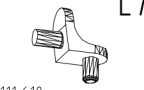
980244

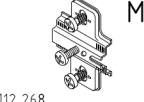
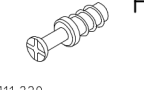
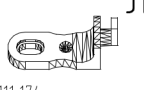

06.04.16 / 30.01.19


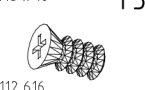
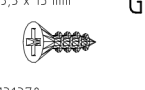
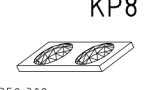
01 19

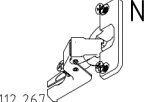

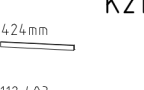

1/12

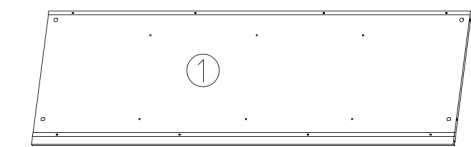
 111 103 M6 x 11 mm	<b>C</b> 16x
 121 181	<b>T6</b> 12x
 111 102	<b>A</b> 16x

 121 375 3,5 x 35 mm	<b>G14</b> 8x
 117 001 3,5 x 15 mm	<b>K1</b> 4x
 121 370	<b>G1</b> 10x
 111 610	<b>L7</b> 16x

 112 268	<b>M</b> 14x
 111 229	<b>F</b> 4x
 111 174	<b>J1</b> 12x
 111 252	<b>VB23</b> 4x

 112 220/1 M6 x 10	<b>Q45</b> 3x
 112 616 3,5 x 15 mm	<b>T3</b> 12x
 131370	<b>G</b> 12x
 352 302	<b>KP8</b> 6x

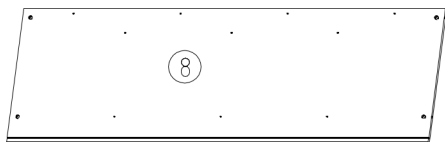
 112 267	<b>N</b> 14x
 xxx xxx	<b>AW1</b> 2x
 112 403 4,24 mm	<b>K21</b> 2x
 112 403	<b>SBV</b> 18x



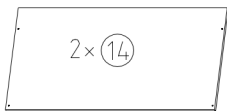
1761x560x15

1761x32x15

1761x32x15



1761x560x15

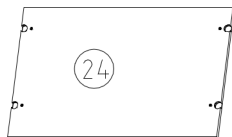


873x500x18

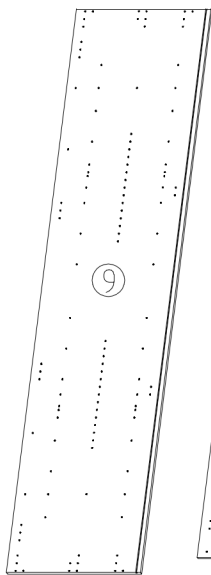
2x 14

2x 13

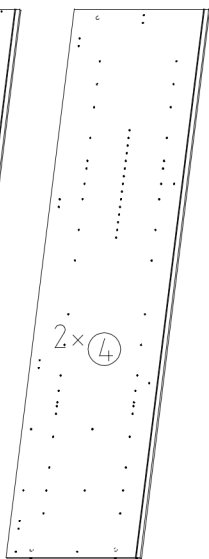
429x500x18



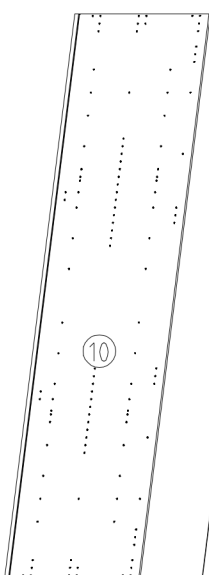
873x540x18



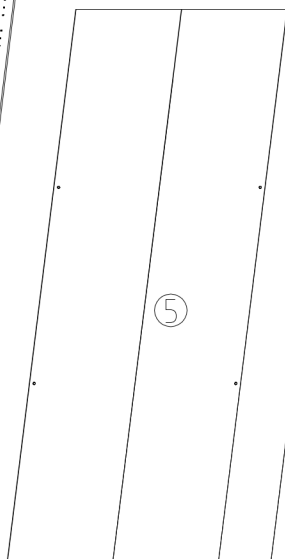
2352x560x15



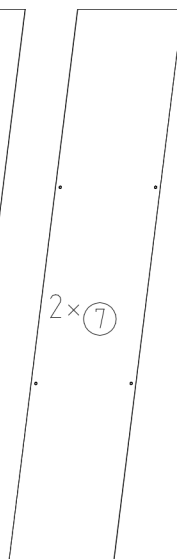
2289x560x15



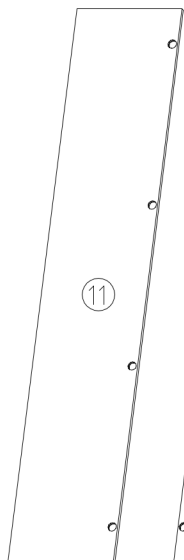
2352x560x15



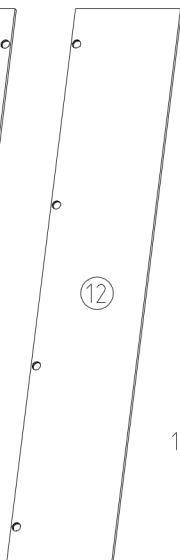
2303x882x2,5



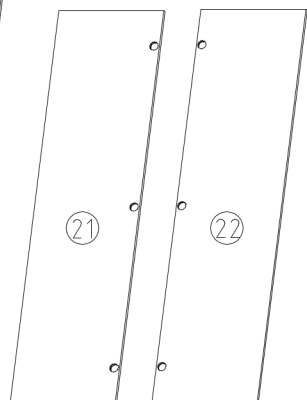
2303x438x2,5



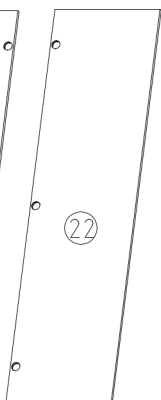
2310x439x15



2310x439x15



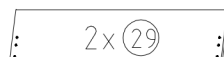
1638x439x15



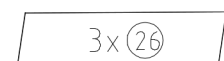
1638x439x15



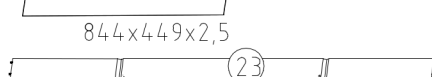
883x156x15



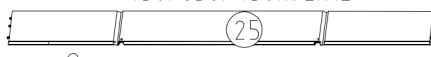
883x252x15



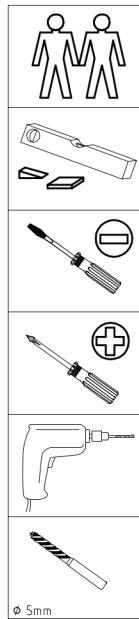
844x449x2,5



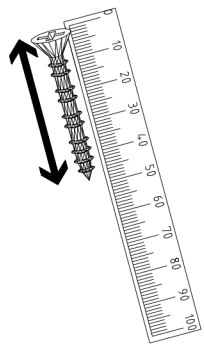
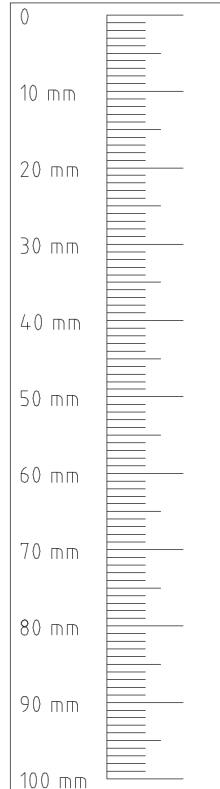
450/858/450x92x12



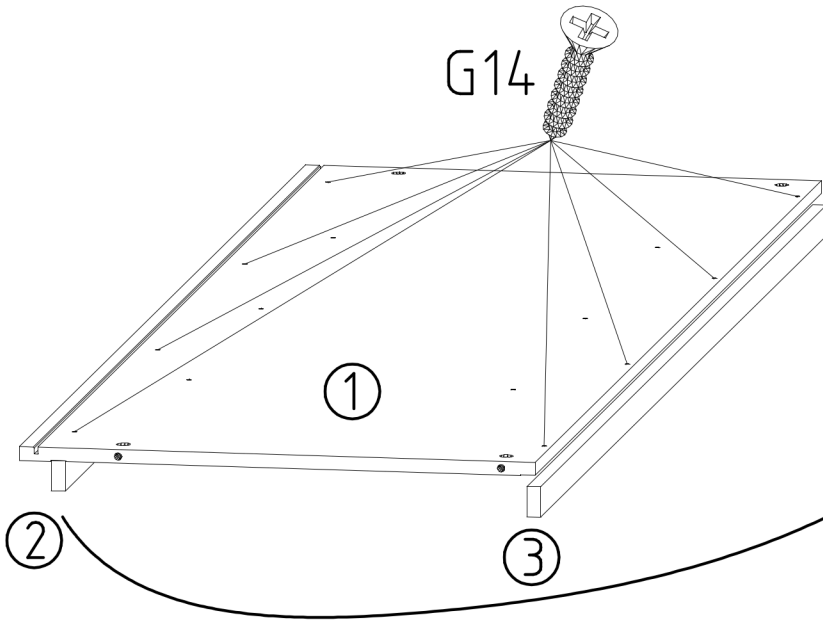
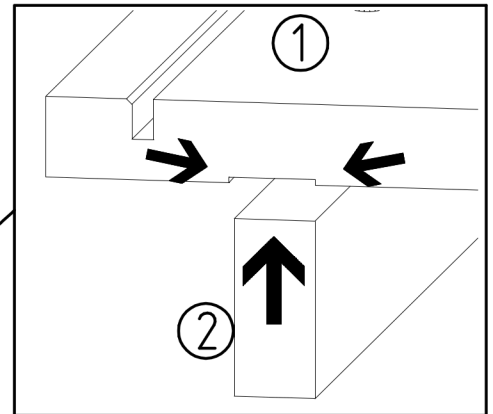
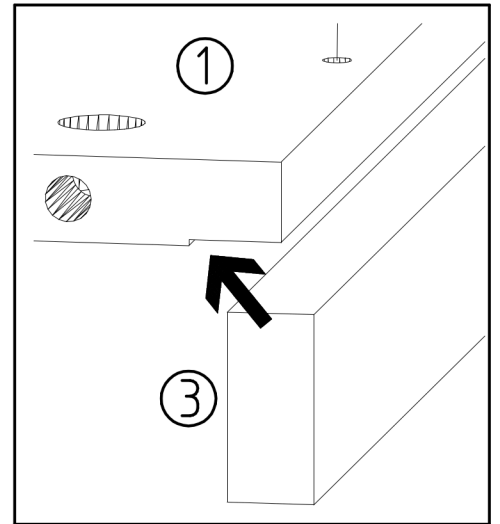
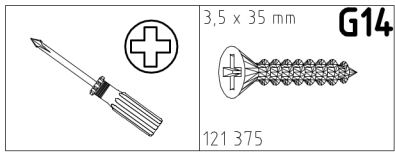
2x 450/858/450x152x12



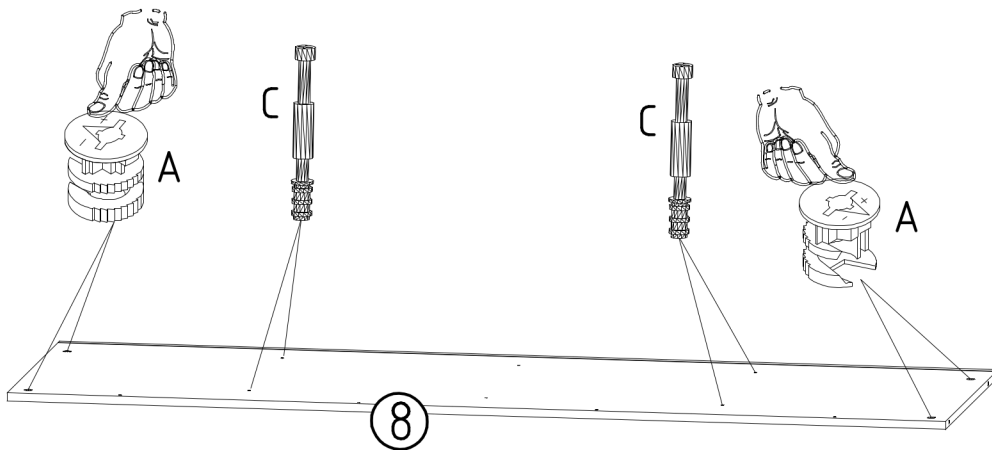
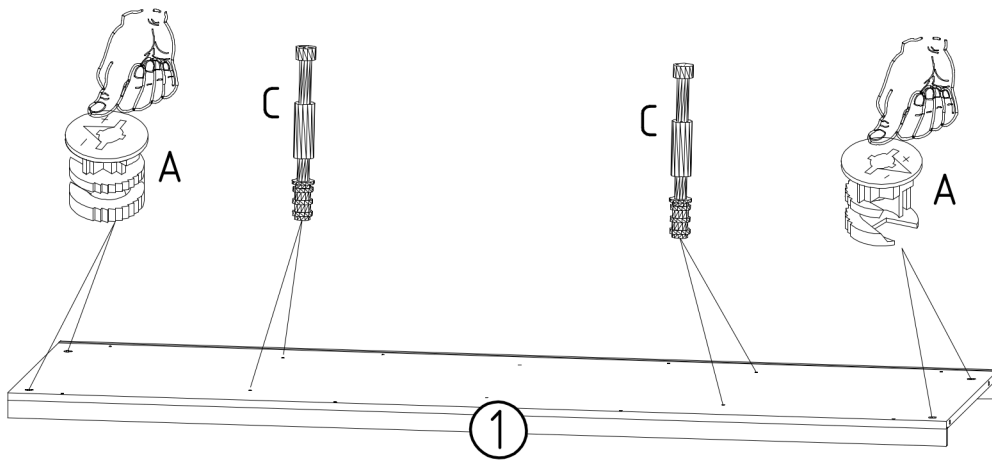
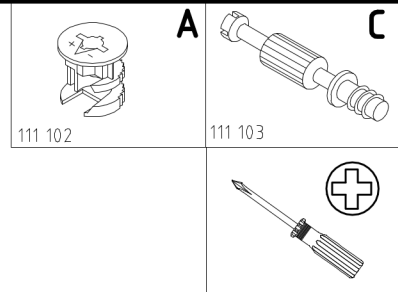
∅ 5mm



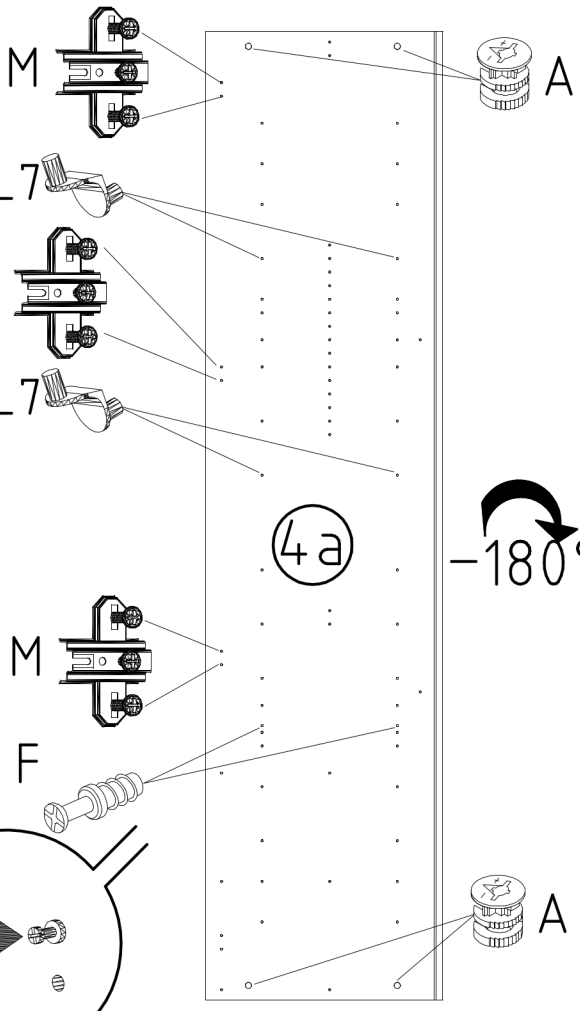
1



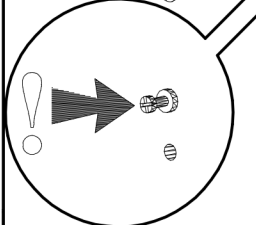
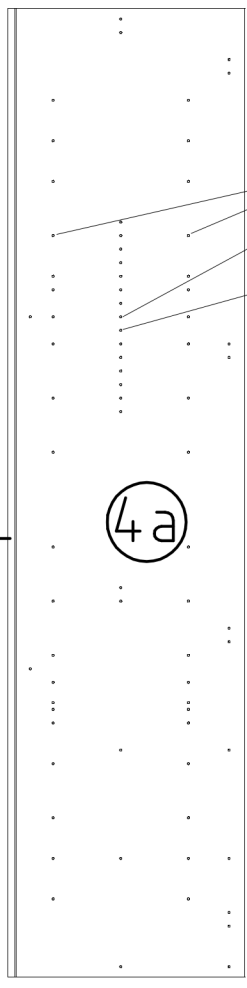
2

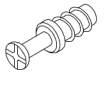

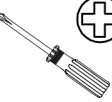


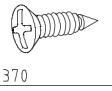

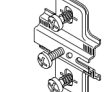


3

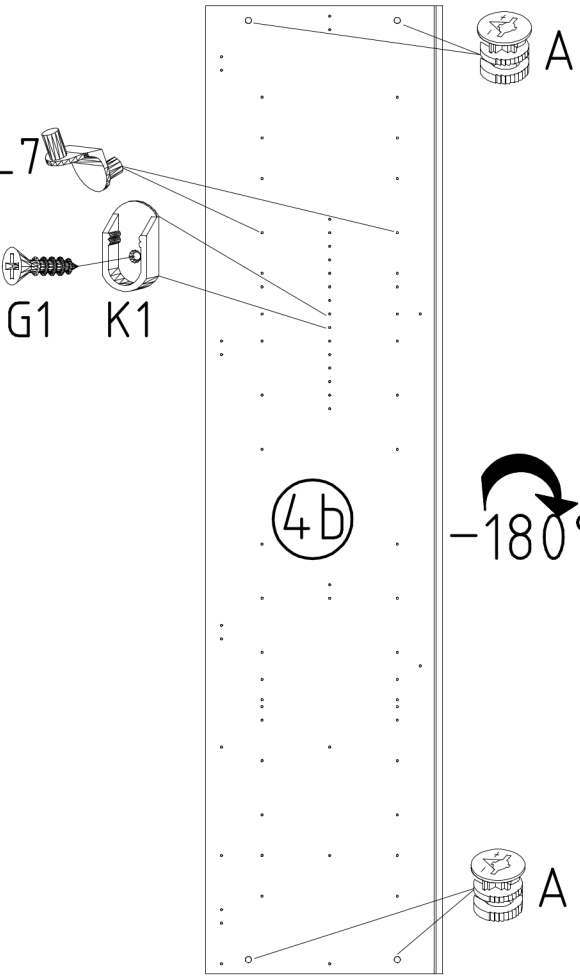


-180°

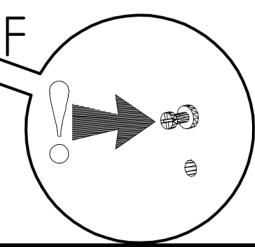
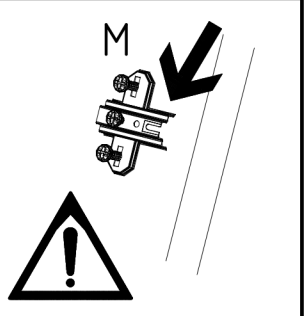
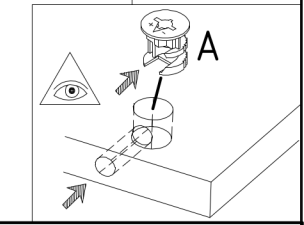
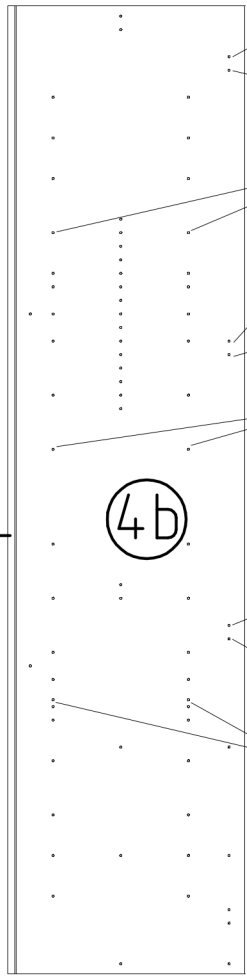


-  F
- 111 229
-  L7
- 111 610
-  
-  K1
- 117 001  
3,5 x 15 mm
-  G1
- 121 370
-  A
- 111 102
-  M
- 112 268

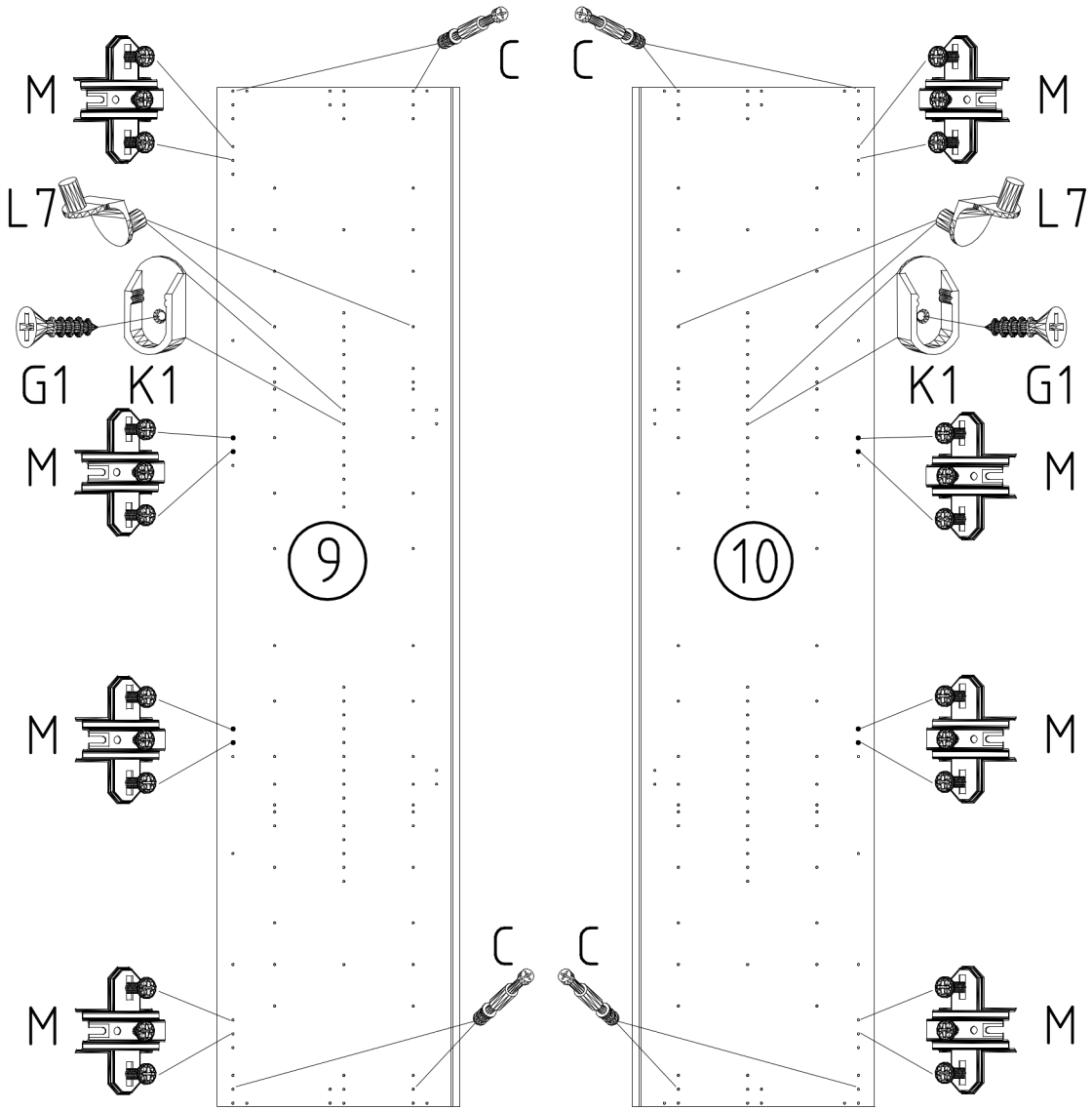
4



-180°



5



**L7**  
111 610

**G1**  
117 001  
3,5 x 15 mm

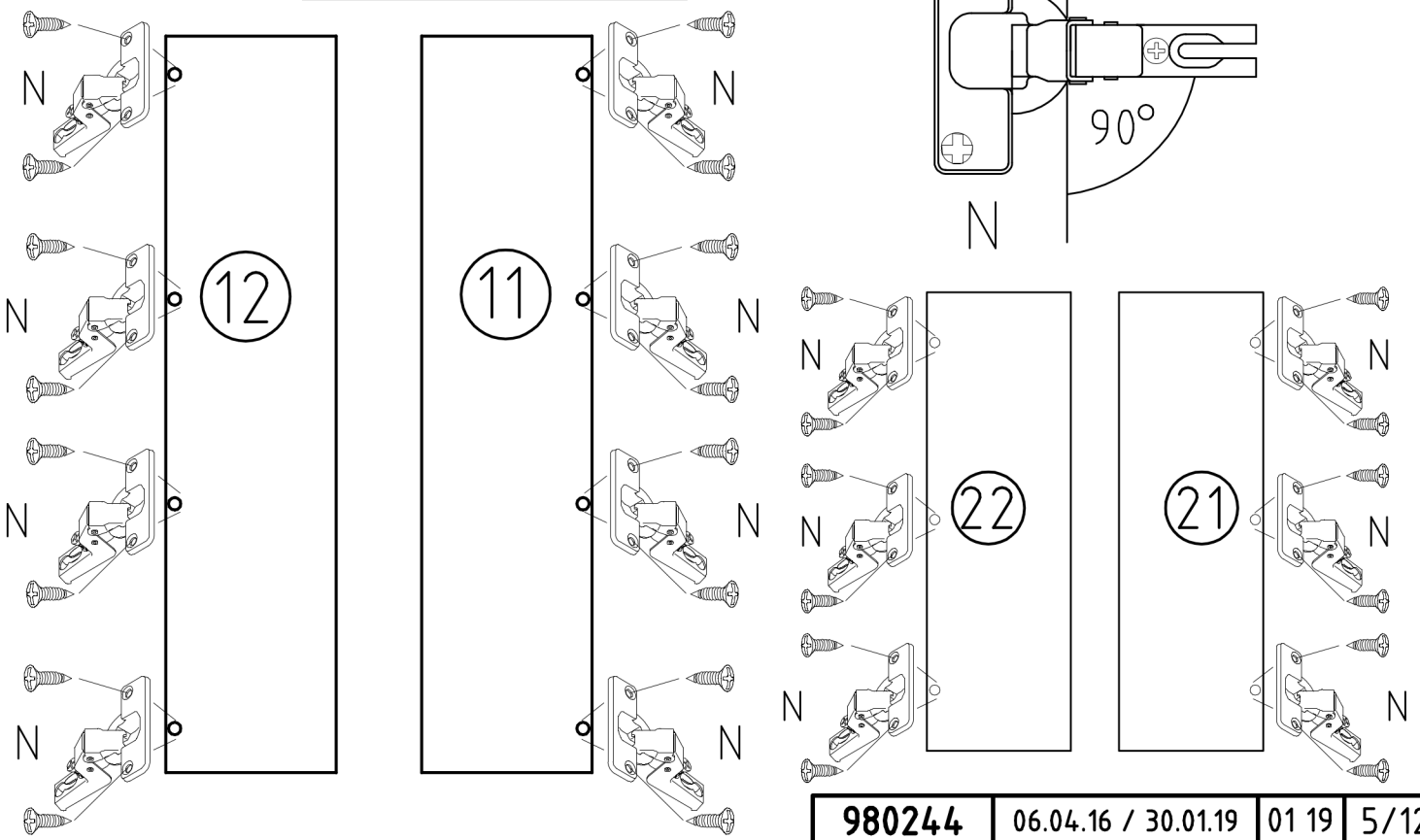
**C**  
121 370

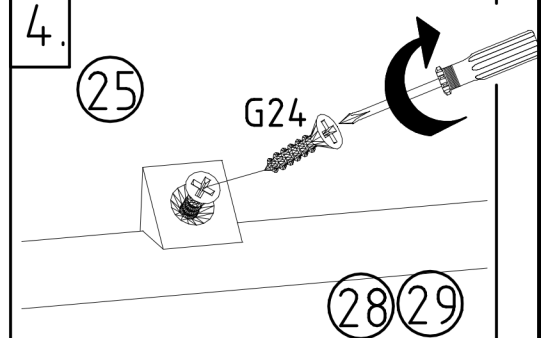
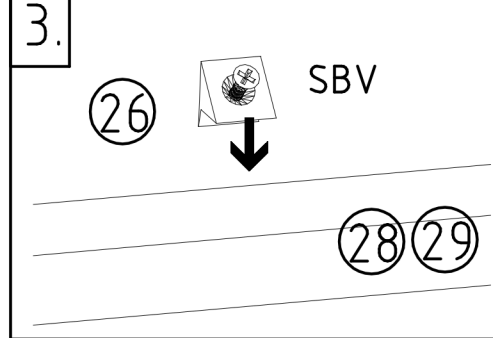
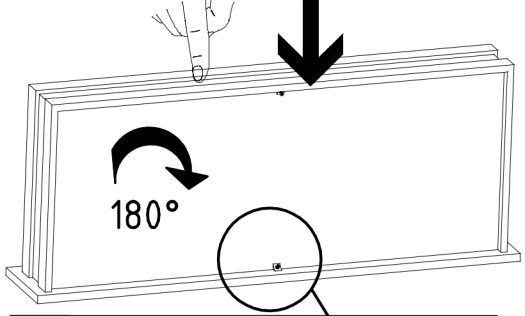
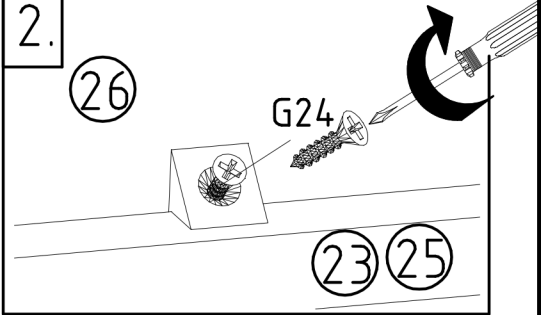
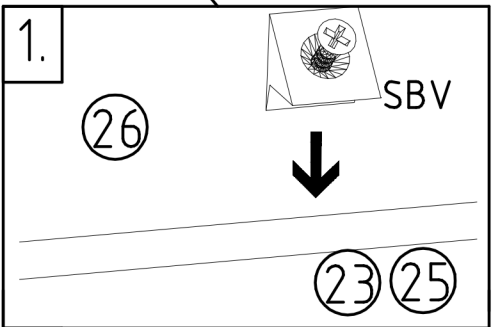
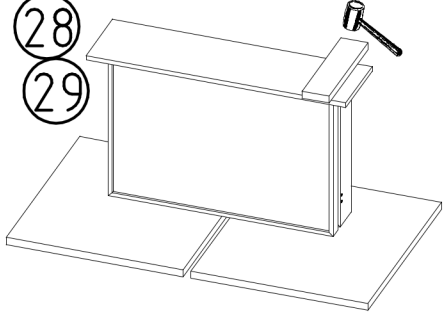
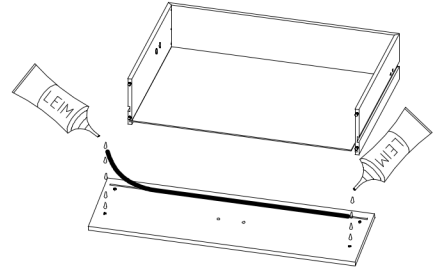
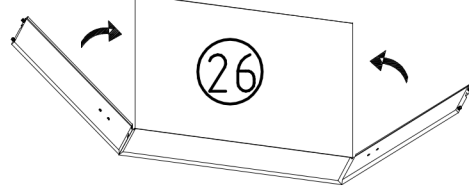
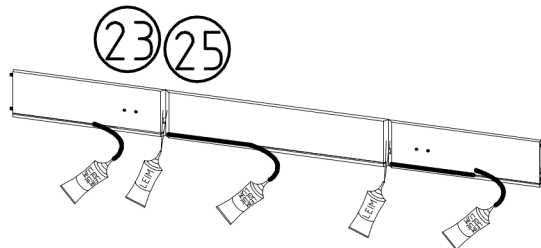
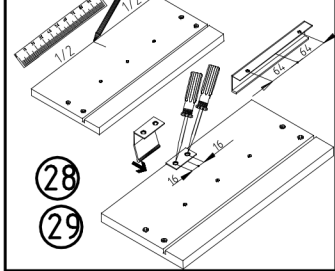
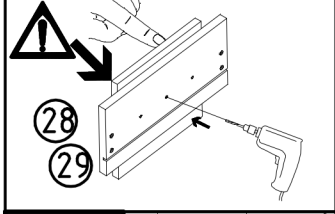
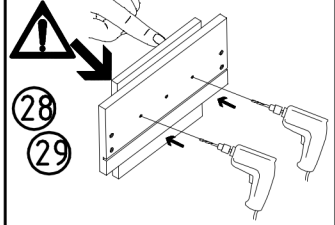
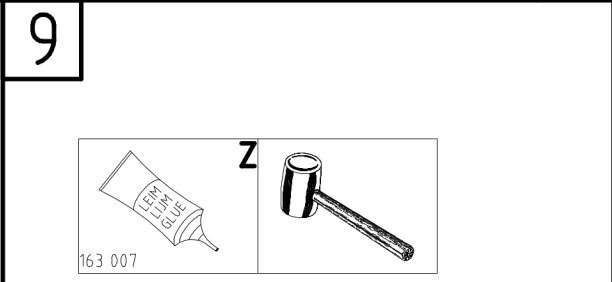
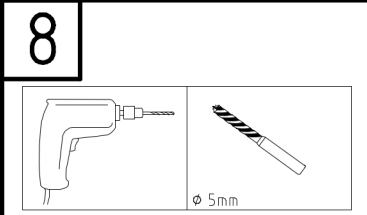
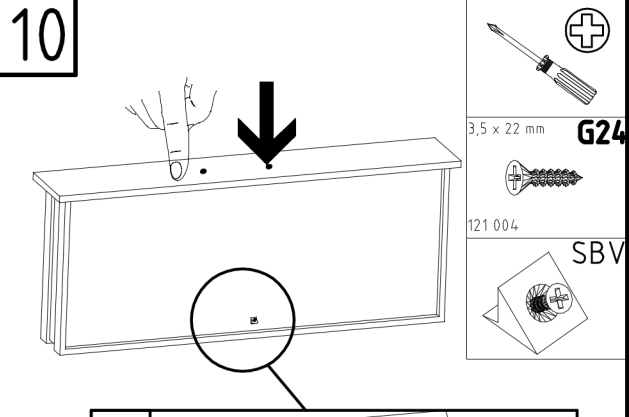
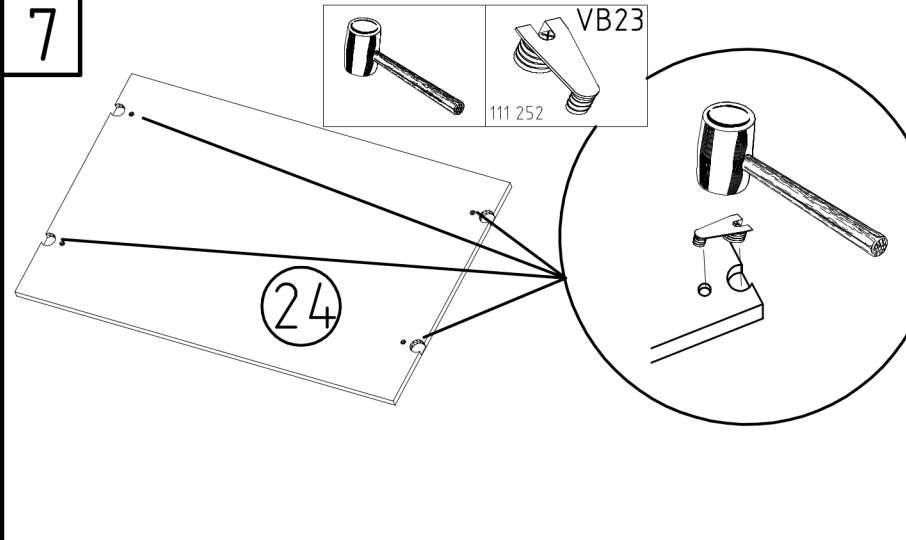
**M**  
111 103

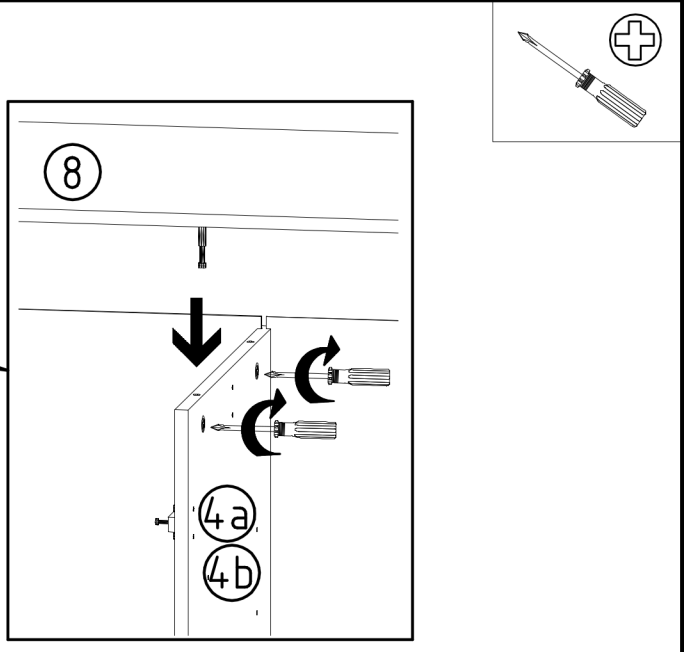
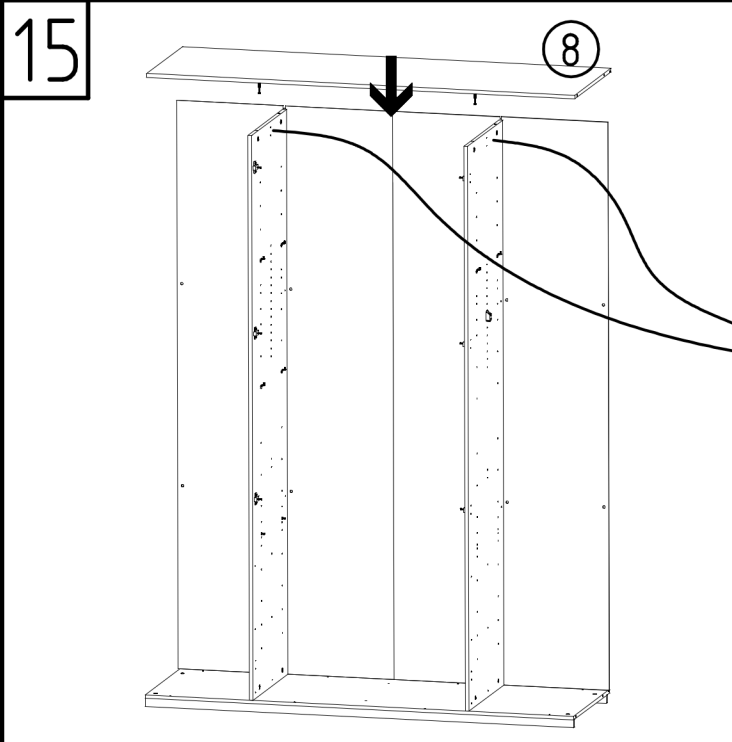
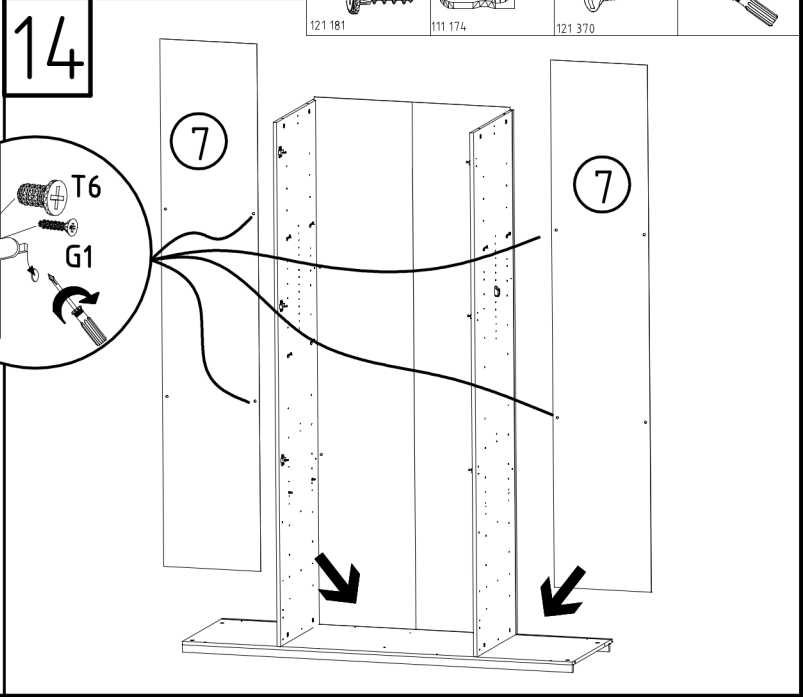
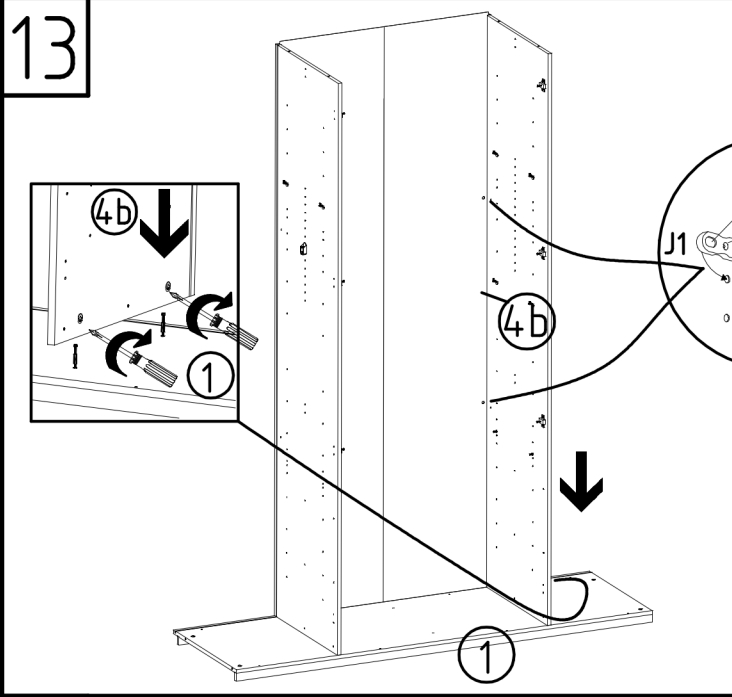
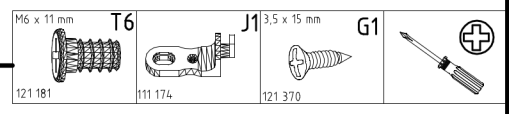
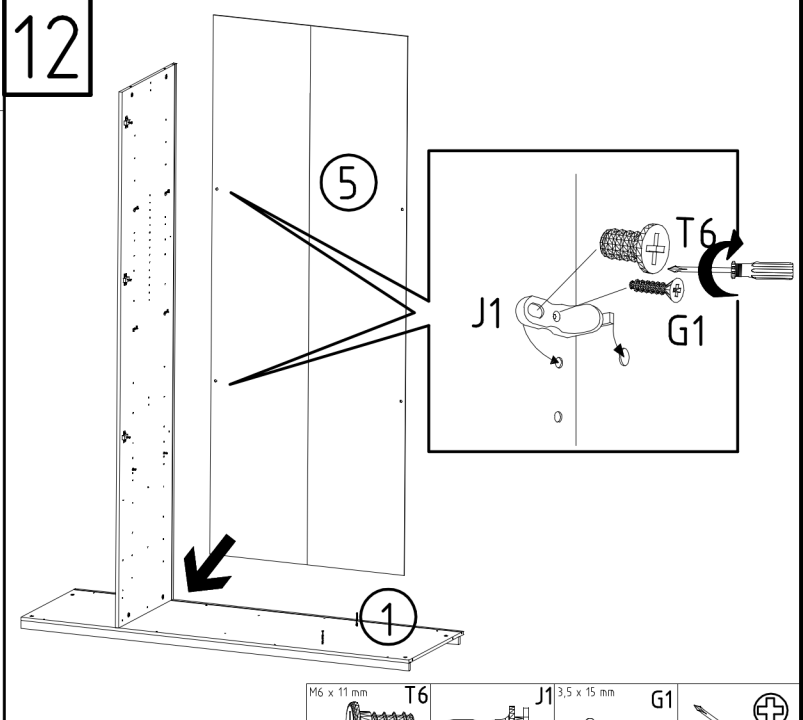
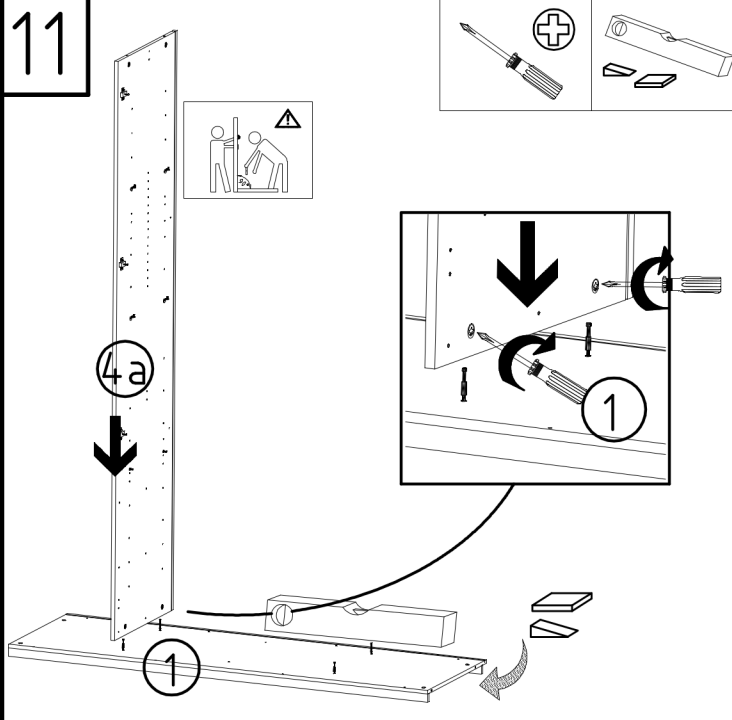
**M**  
112 268

6

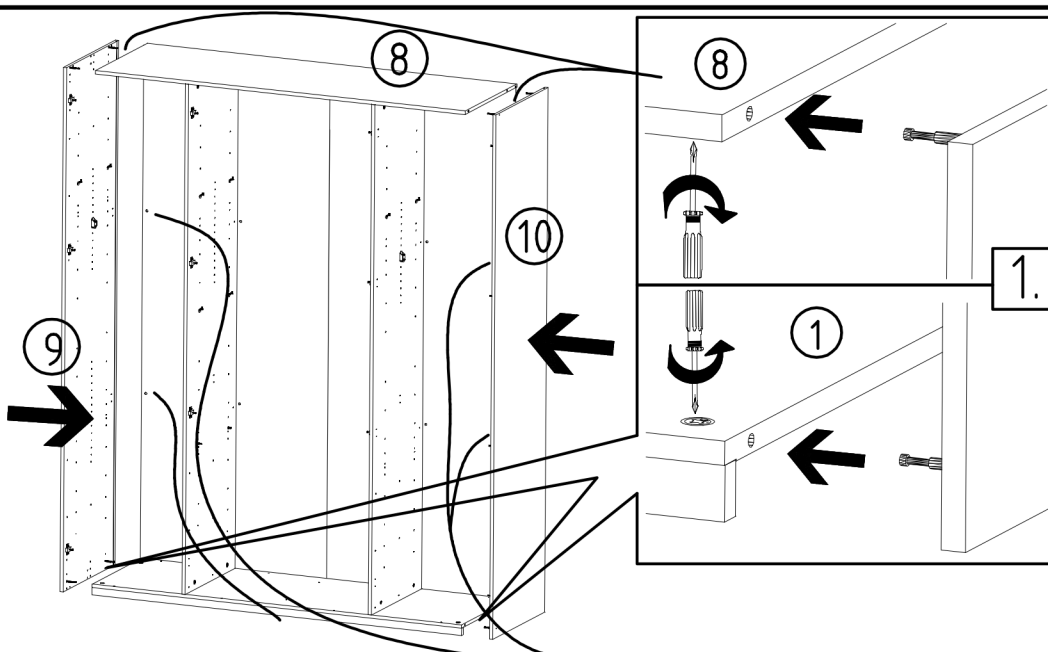
**N**  
112 267



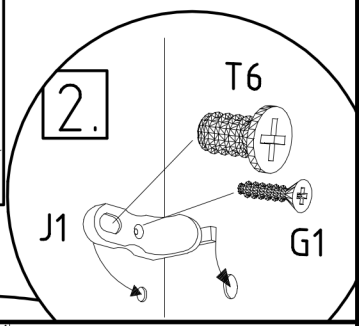




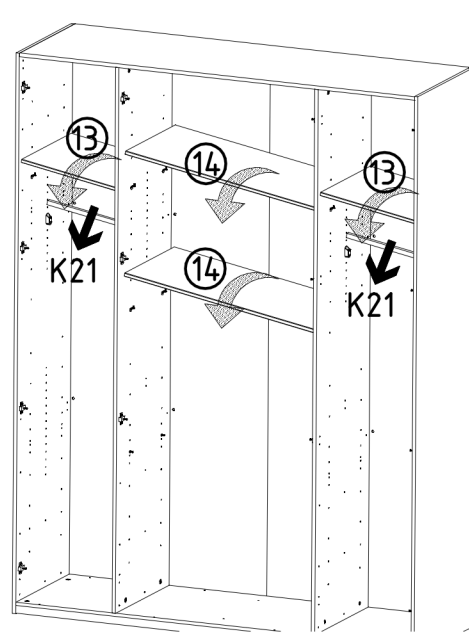
16



3,5 x 15 mm 121 370	G1	M6 x 11 mm 121 181	T6
			J1
		111 174	

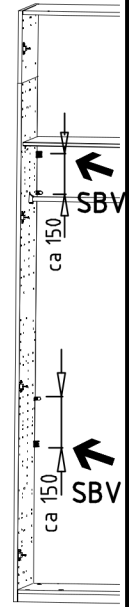
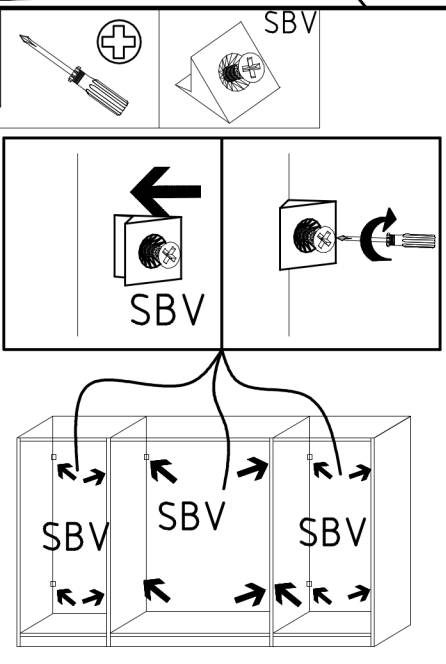


17

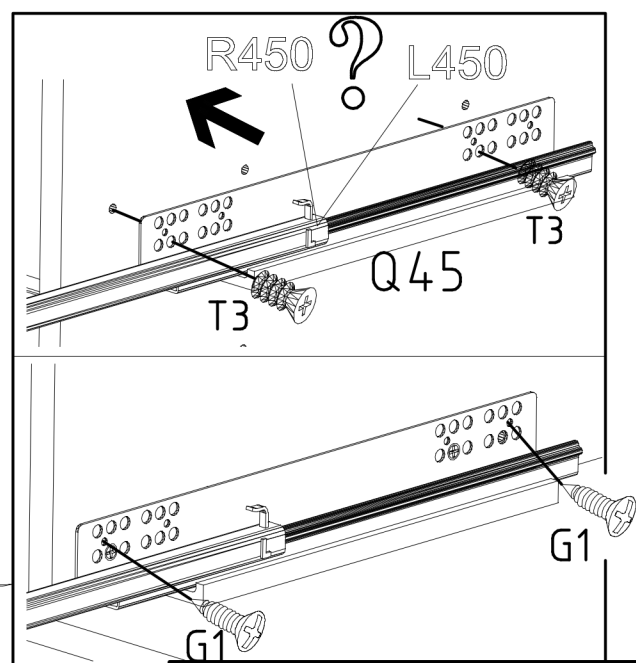
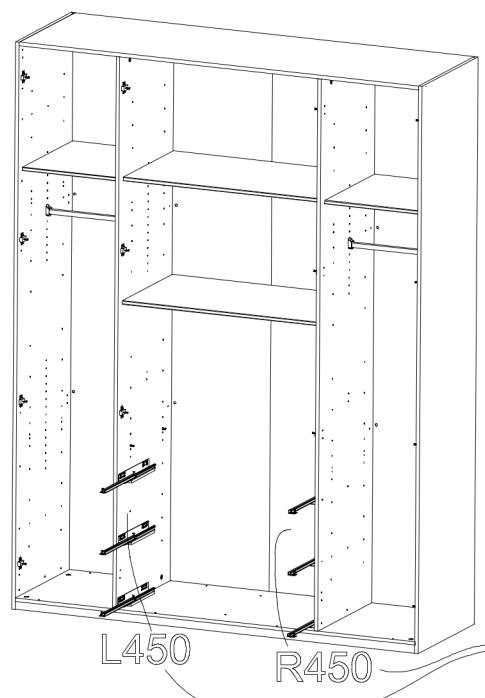


870mm  
112 402  
K20

18



19

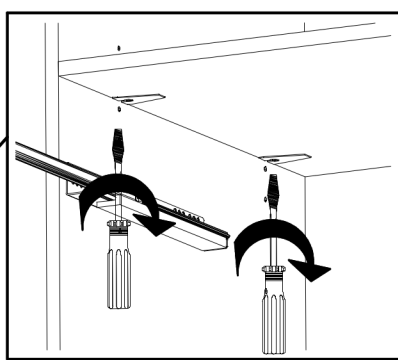
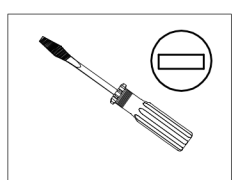
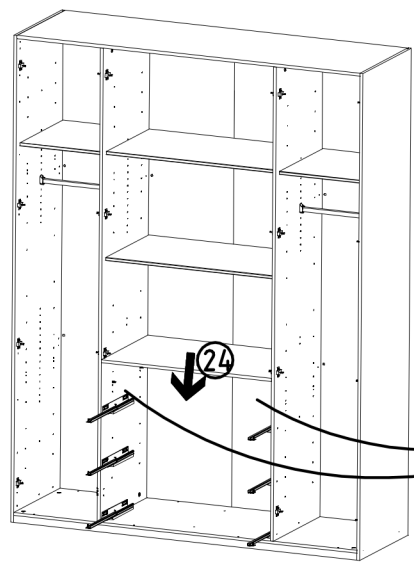


--	--

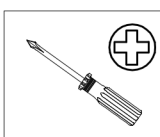
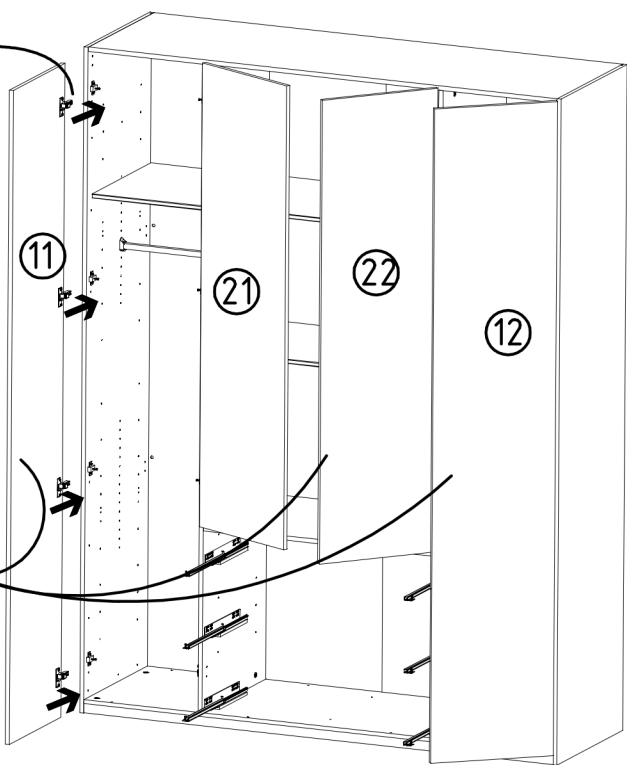
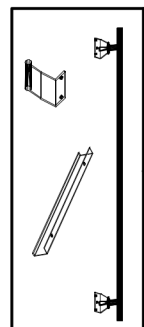
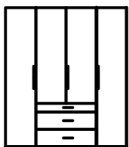
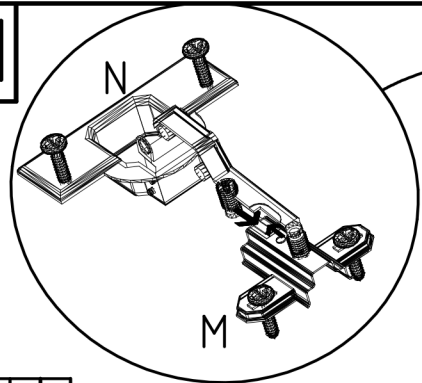
Q45
112 220/1
M6 x 10
T3
112 616
3,5 x 15 mm
G1
121 370



20



21

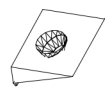
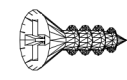


22

3,5 x 15 mm

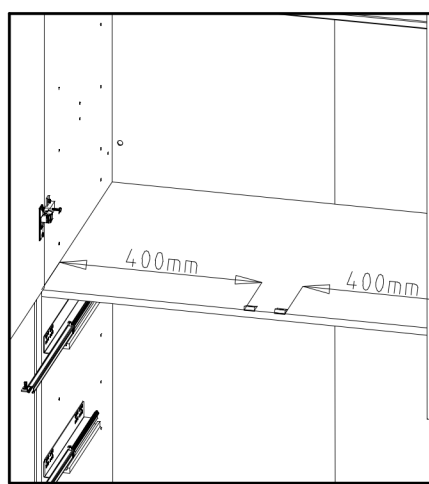
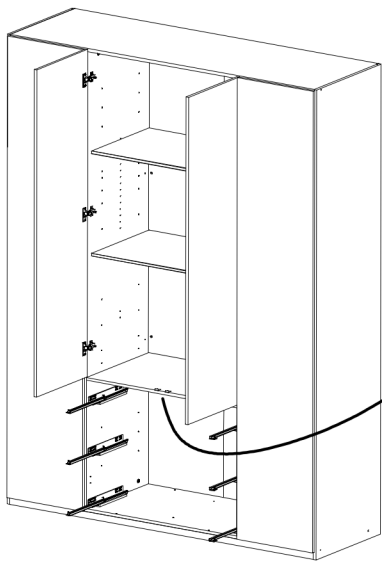
G

AW1



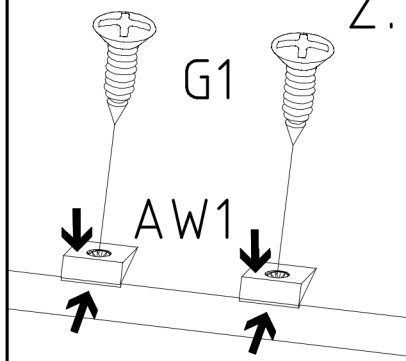
131370

xxx xxx

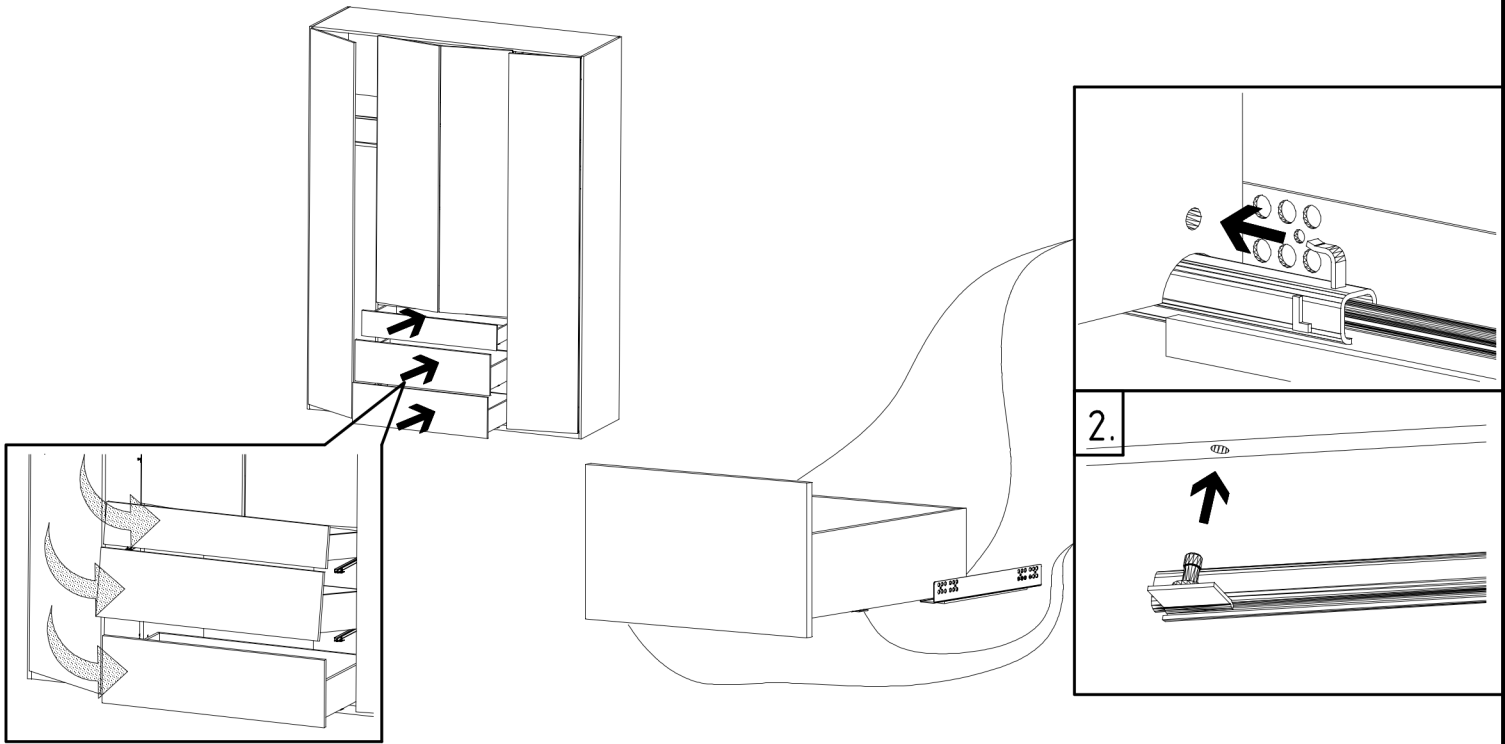


1.

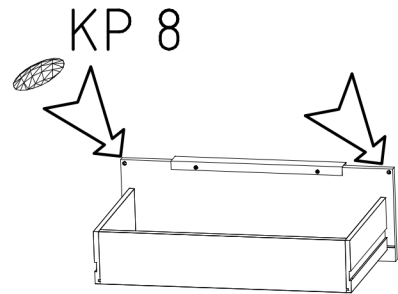
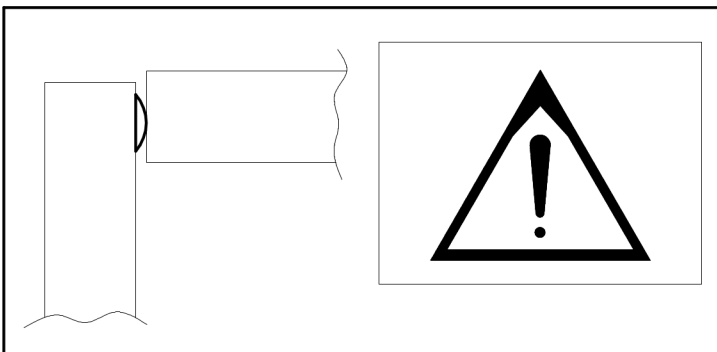
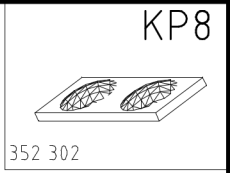
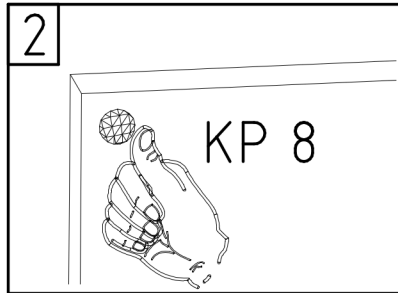
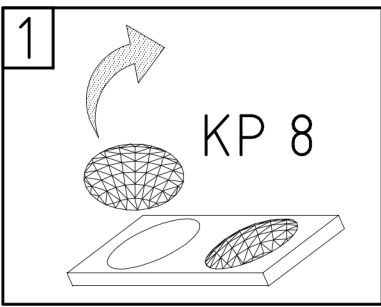
2.

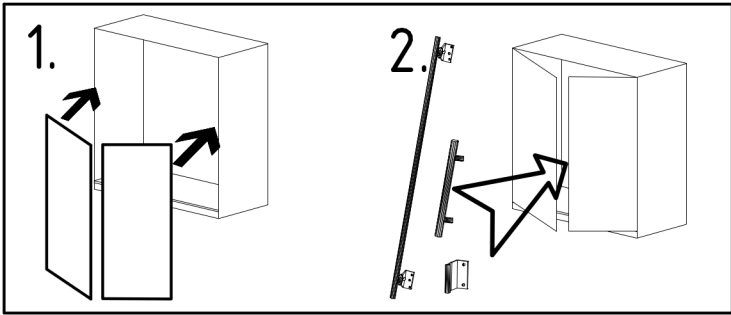


23

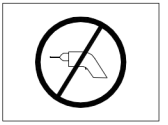
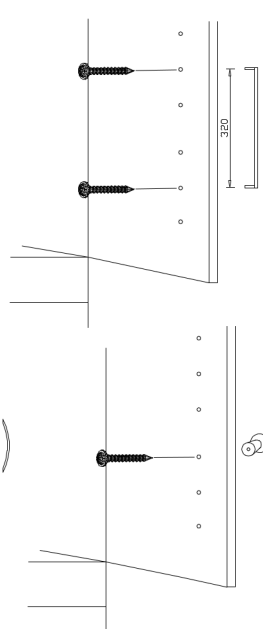
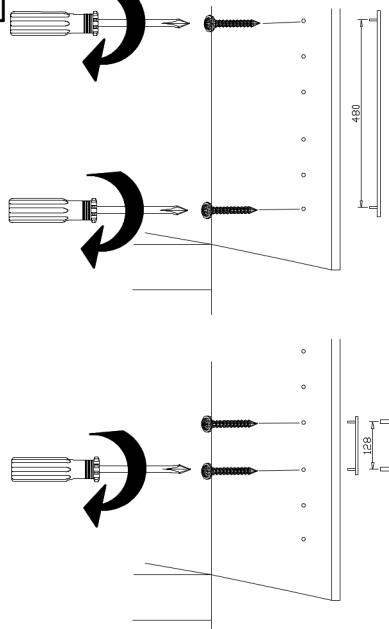
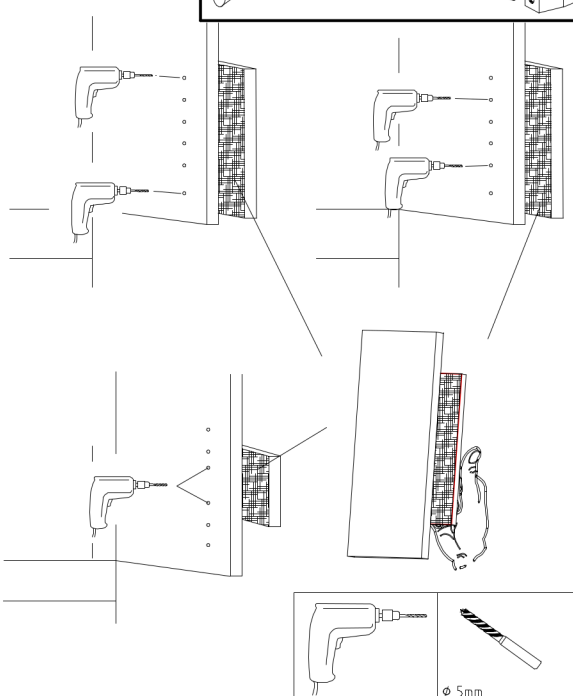
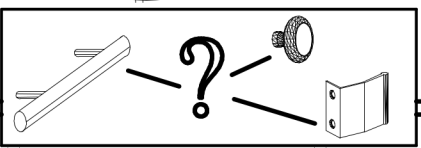
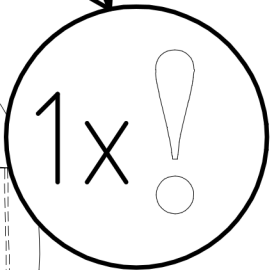
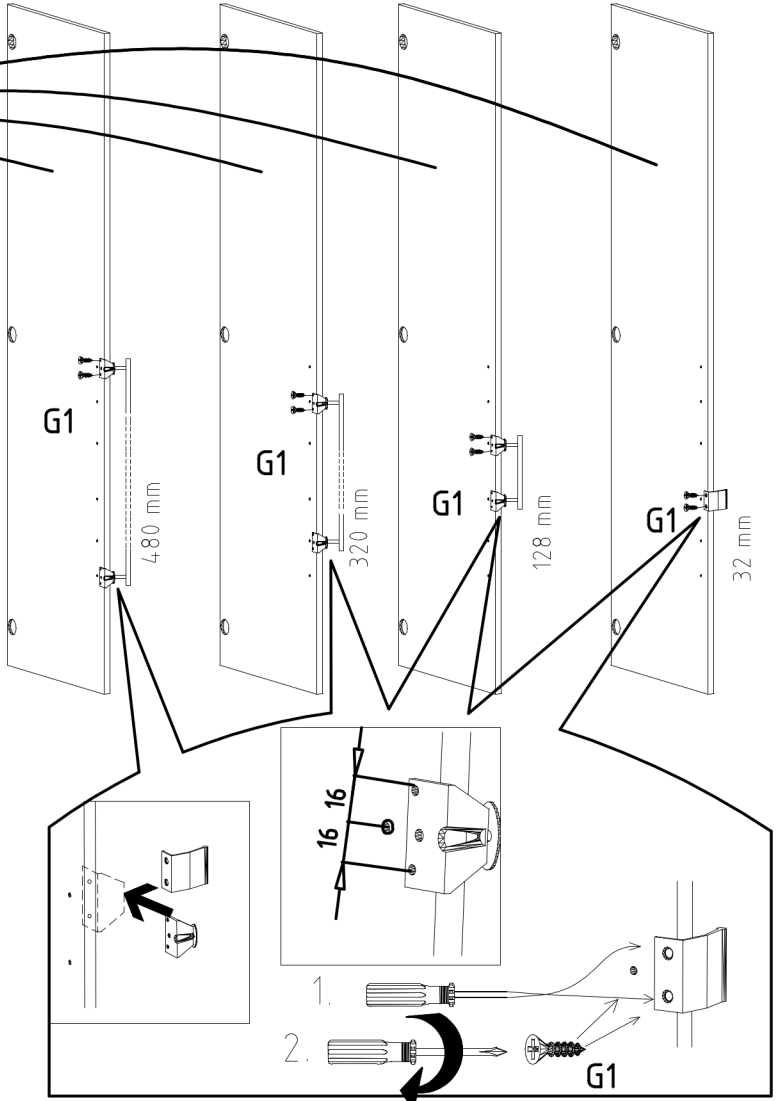
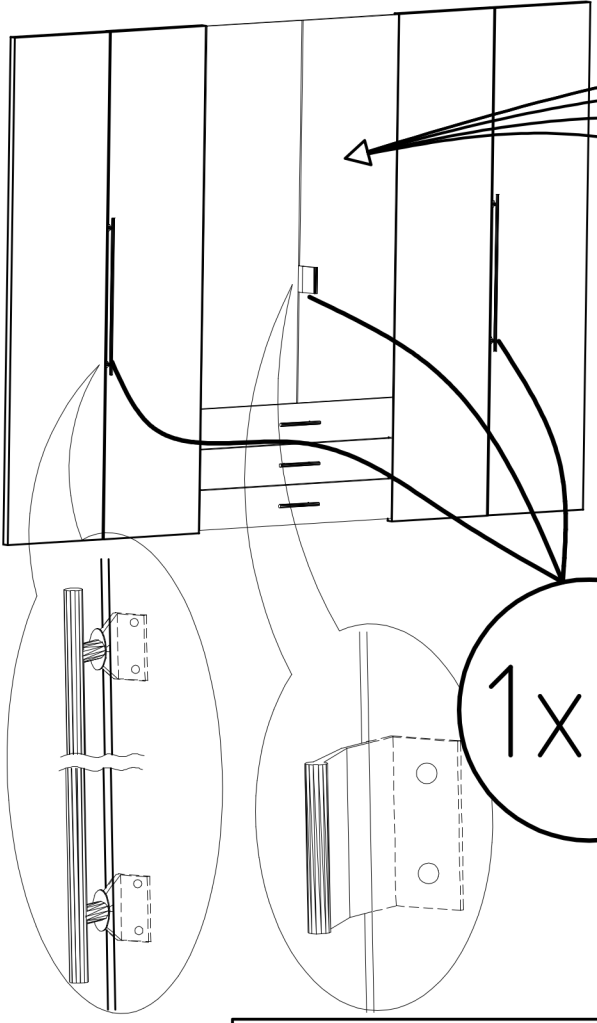


24

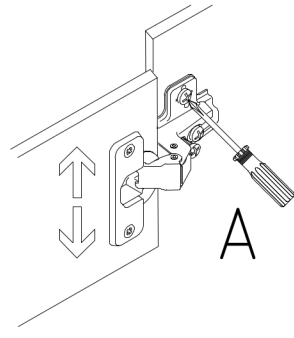
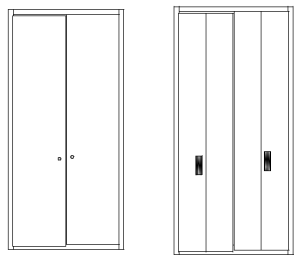




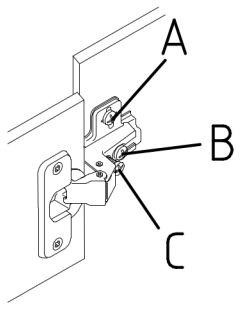
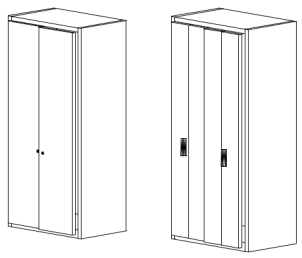
3,5 x 15 mm 121 370	G1	4,0 x 12 mm 122 625	G56
------------------------	----	------------------------	-----



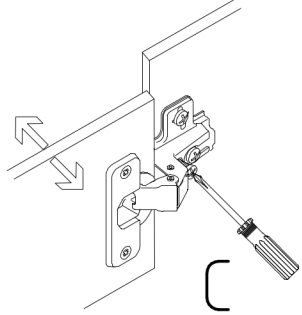
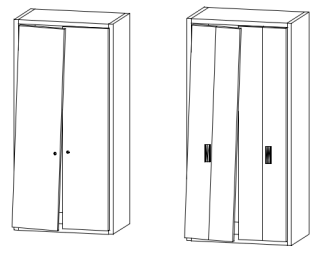
	SP27
	4 X 27mm
122620	G49
4,0x22	
122 609	



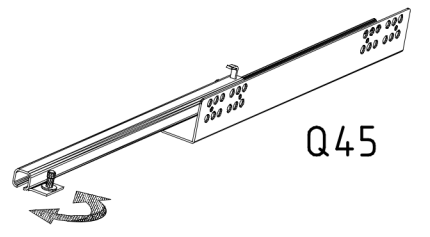
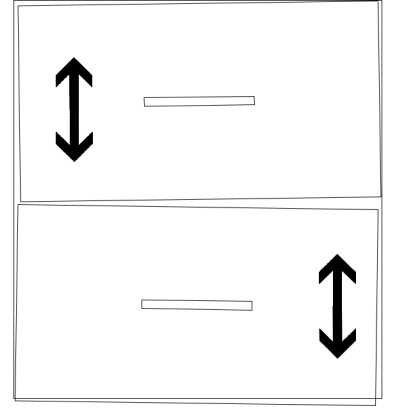
A



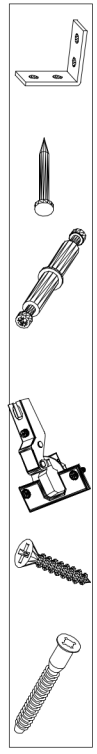
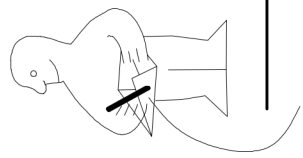
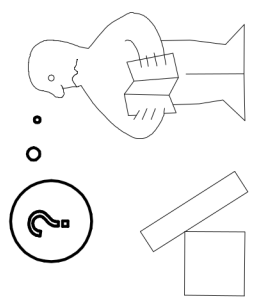
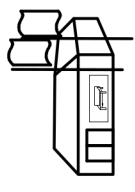
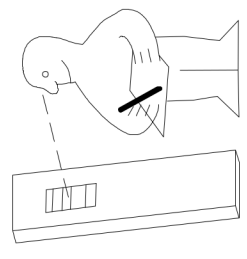
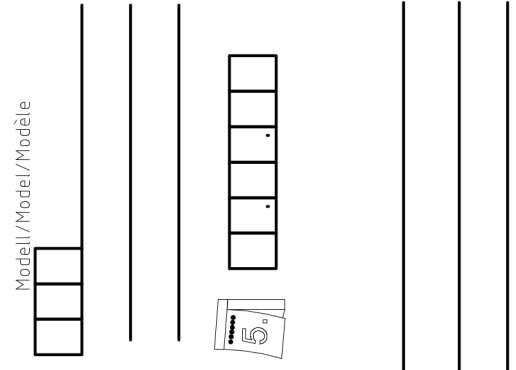
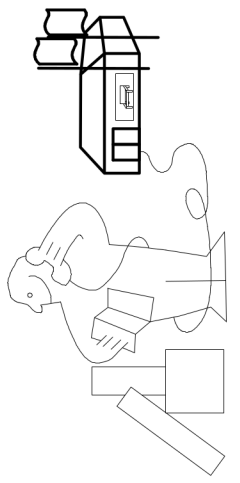
B



C



Q45



(121 370)	( G 1 )	(4x)				