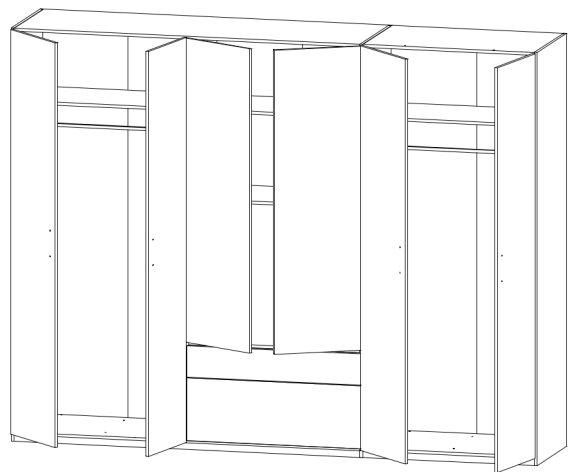
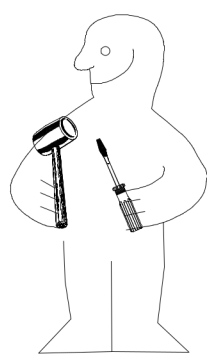
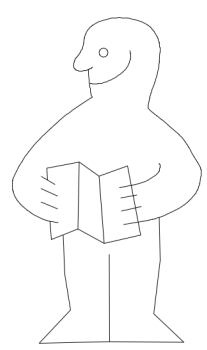
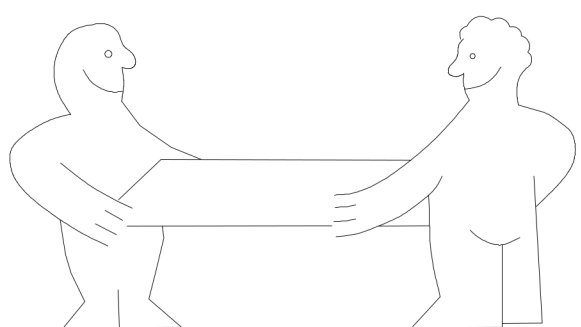
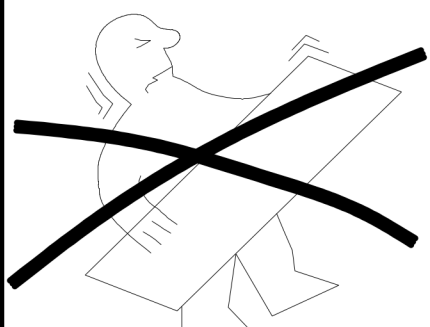


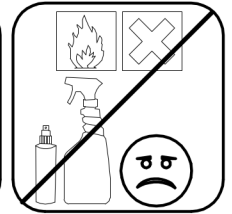
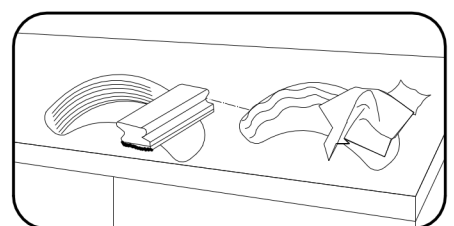
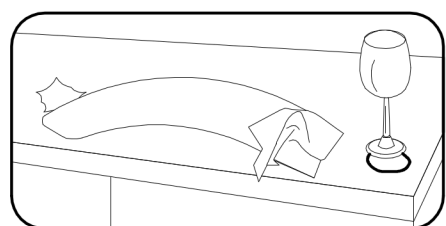
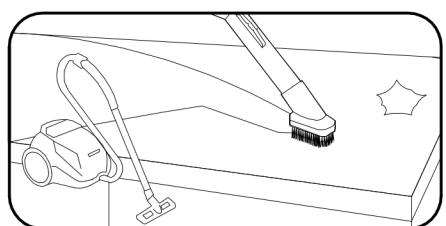
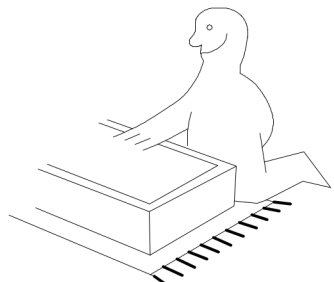
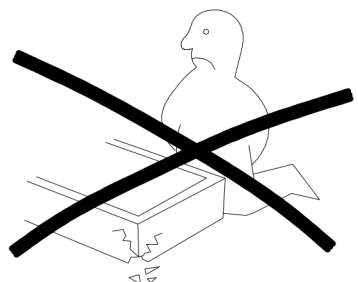
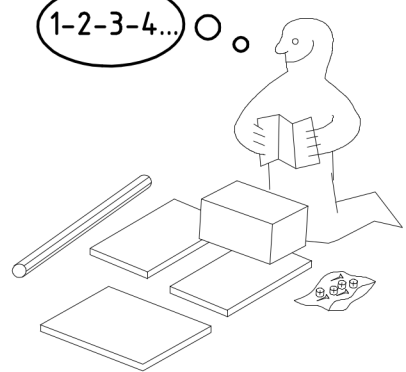
980568



NSP 270



1-2-3-4... ○ ○



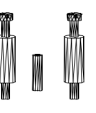
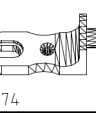




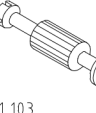
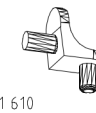

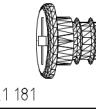
980568


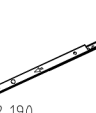

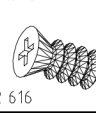
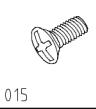
06.04.16 / 17.08.17

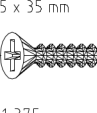
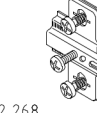

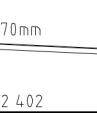

08 17

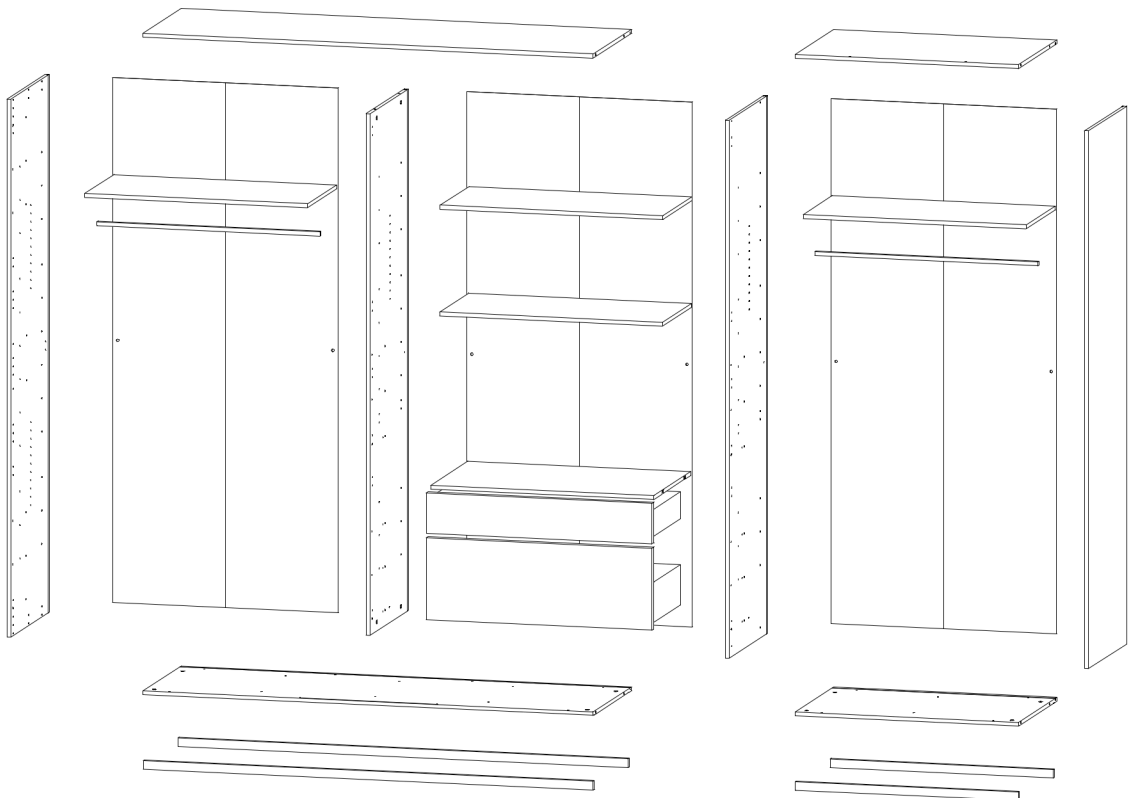
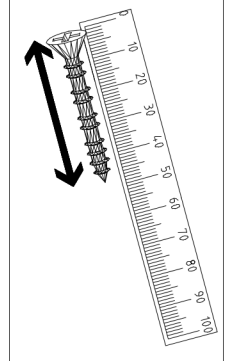
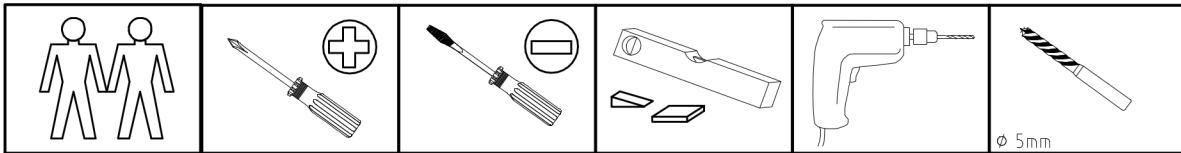
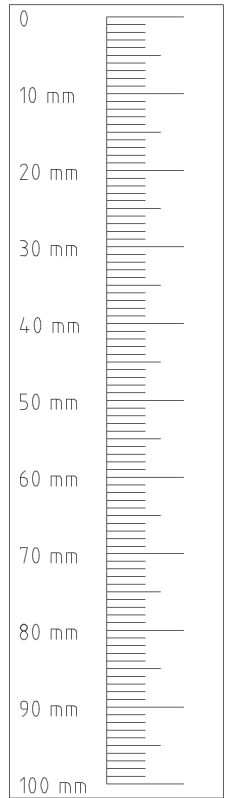
1/14

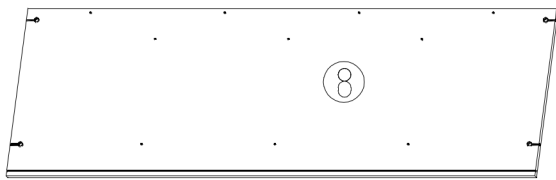
| | | |
|--|-------------|-----|
|  111 252 | VB23 | 4x |
|  111 102 | A | 20x |
|  111 102 | F3 | 4x |
|  111 174 | J1 | 6x |
|  117 001 | K1 | 4x |

| | | |
|--|------------|-----|
|  163 007 | Z | 3x |
|  111 103 | C | 12x |
|  111 610 | L7 | 16x |
|  111 610 | SBV | 4x |
|  121 181 | T6 | 6x |

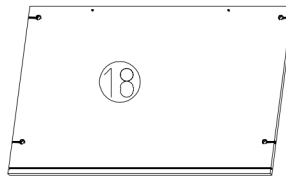
| | | |
|--|--------------------------|-----|
|  121 370 | G1 3,5 x 15 mm | 10x |
|  112 190 | Y20 | 2x |
|  112 xxx | Y27 | 2x |
|  112 616 | T3 M6 x 10 | 8x |
|  111 015 | G8 M4 x 9 mm | 4x |

| | | |
|---|---------------------------|-----|
|  121 375 | G14 3,5 x 35 mm | 18x |
|  112 268 | M | 18x |
|  112 267 | N | 18x |
|  112 402 | K20 870mm | 2x |
|  111 229 | F | 4x |

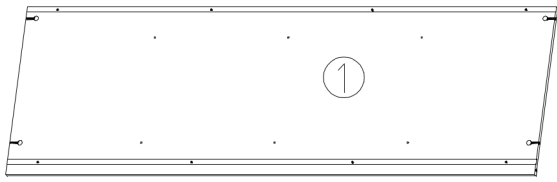




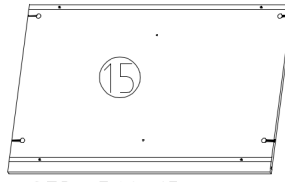
1761 x 560 x 15



873 x 560 x 15



1761 x 560 x 15



873 x 560 x 15



1761 x 33 x 15



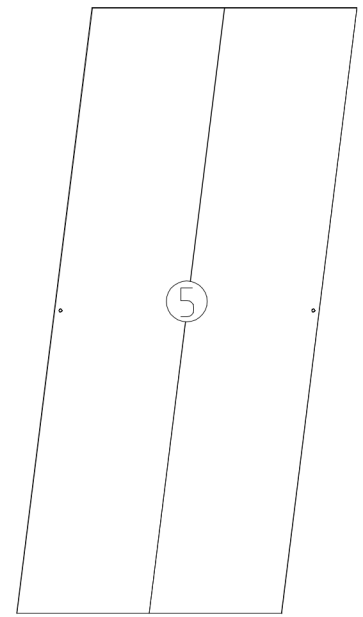
873 x 33 x 15



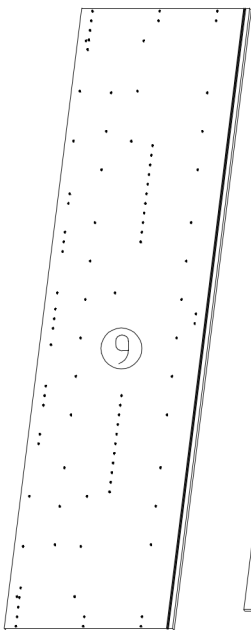
1761 x 33 x 15



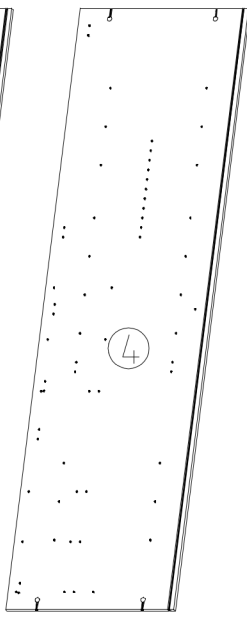
873 x 33 x 15



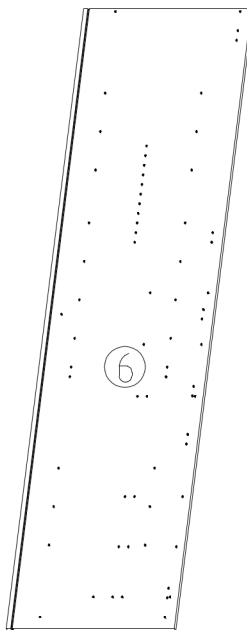
3 x 2015 x 882 x 2,5



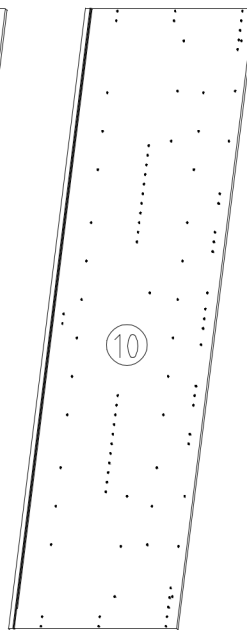
2064 x 560 x 15



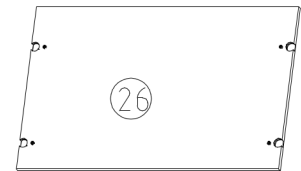
2001 x 560 x 15



2064 x 560 x 15



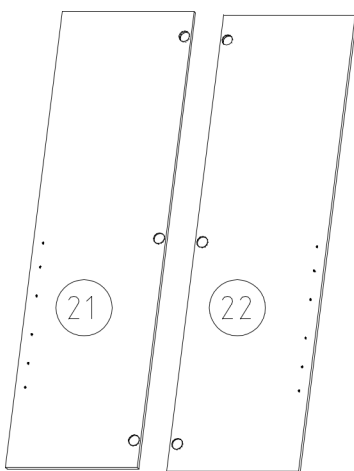
2064 x 560 x 15



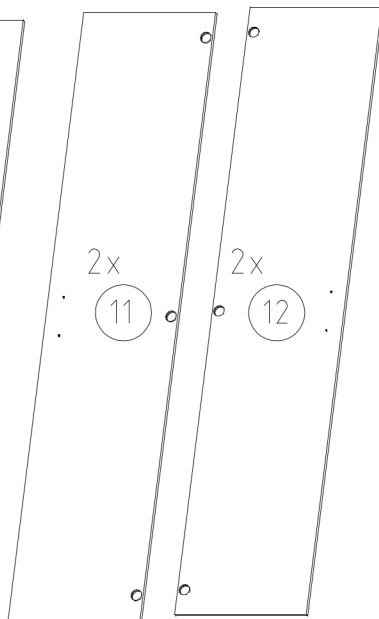
873 x 540 x 18



873 x 500 x 18



1518 x 439 x 15



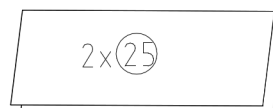
2021 x 439 x 15



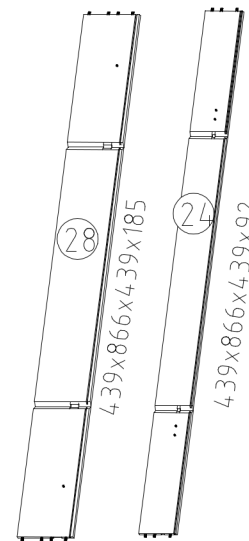
883 x 330 x 15



883 x 164 x 15



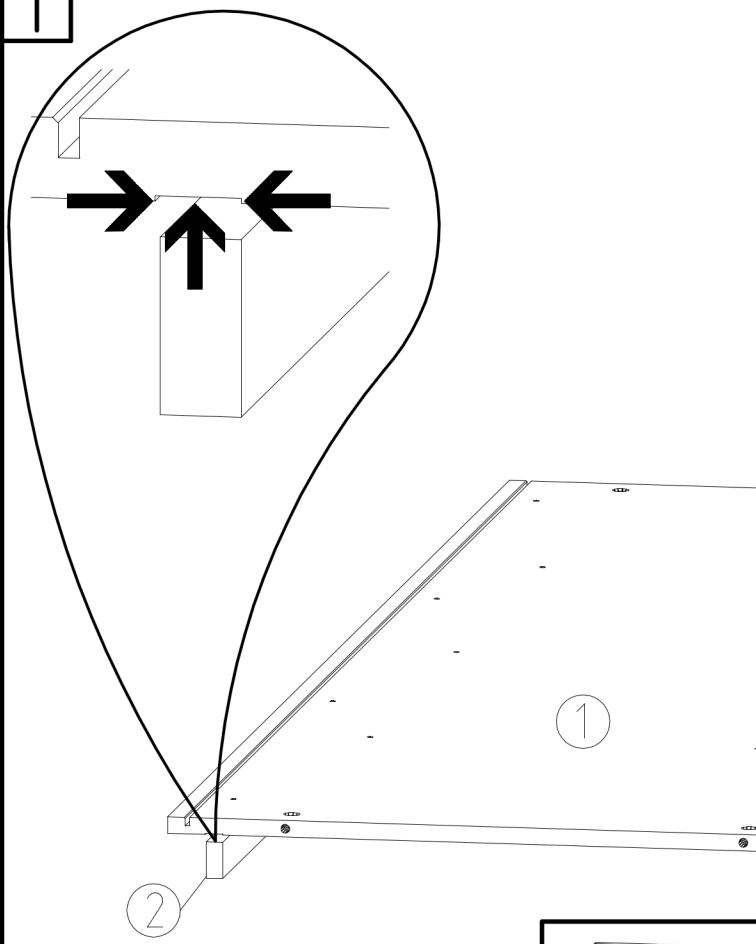
2 x 852 x 439 x 2,5



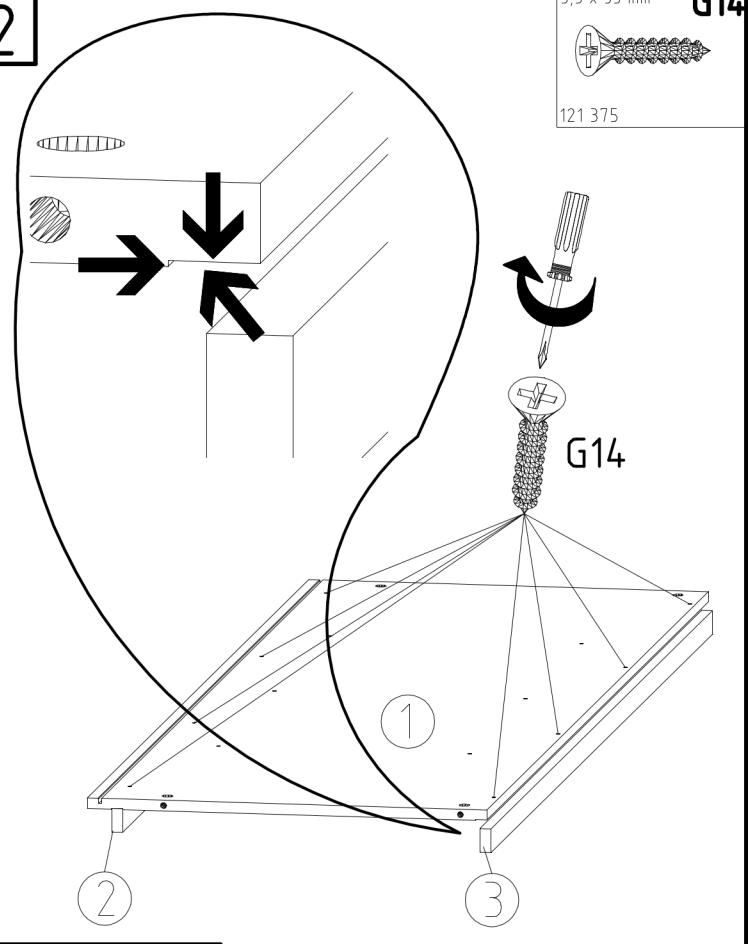
439 x 866 x 439 x 18,5

439 x 866 x 439 x 9,2

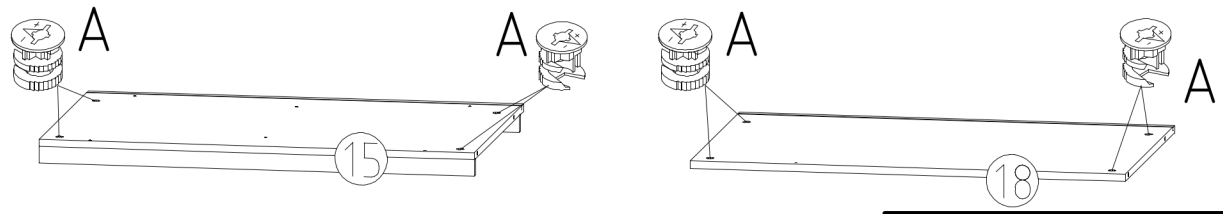
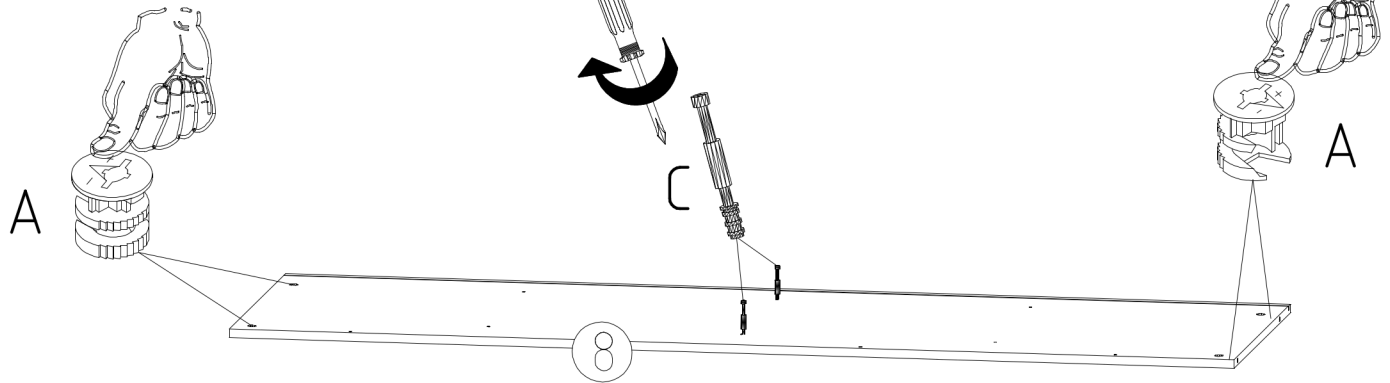
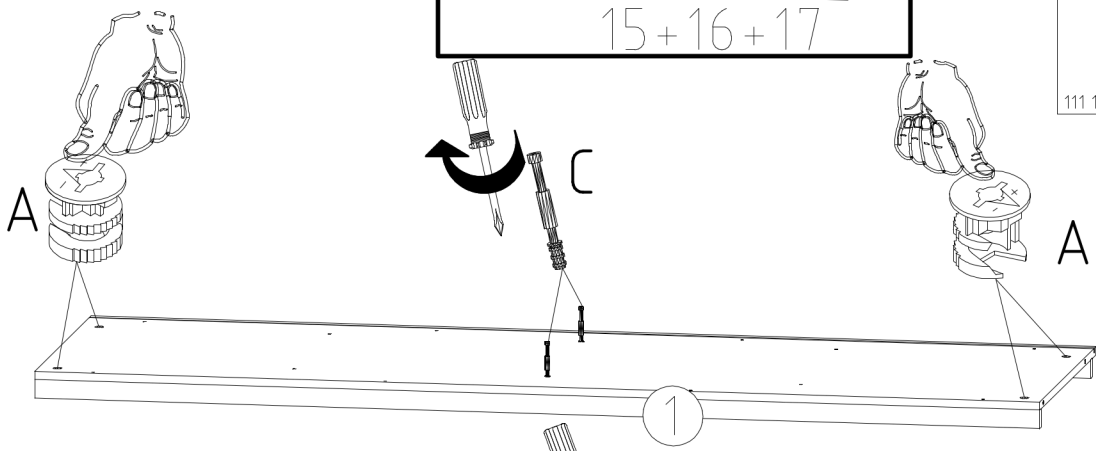
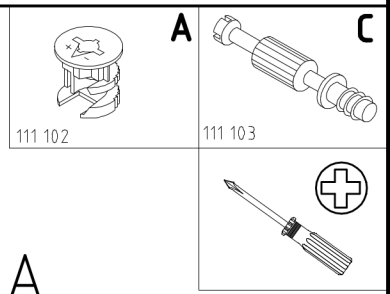
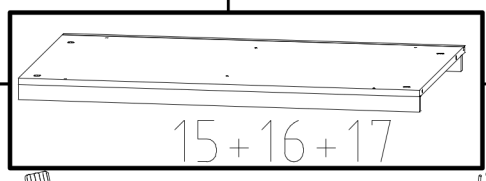
1



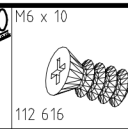
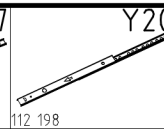
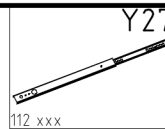
2



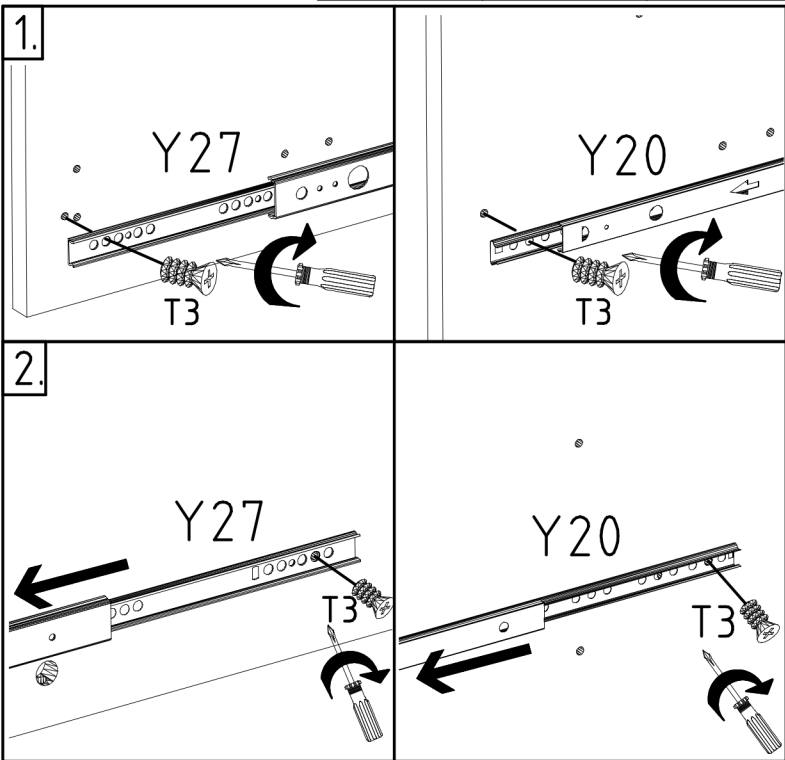
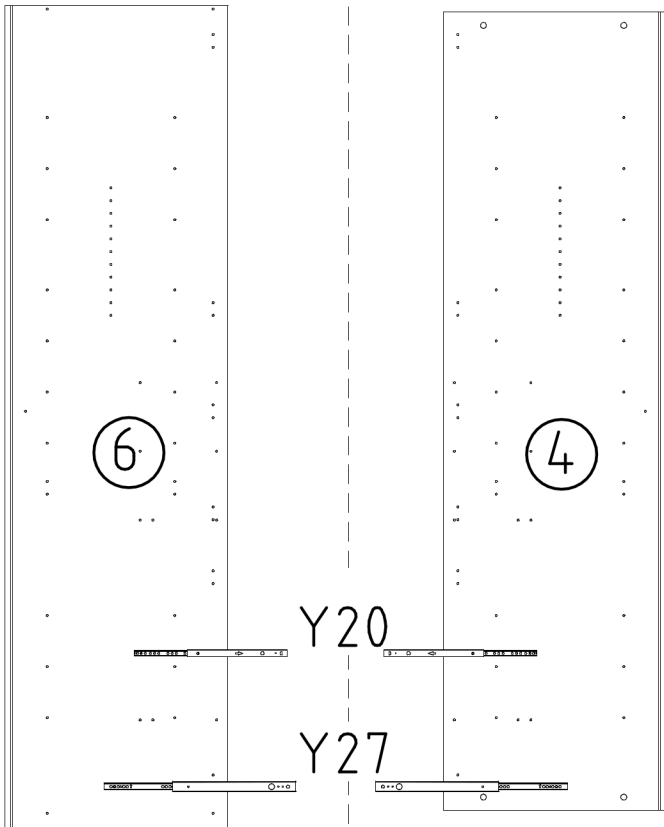
3



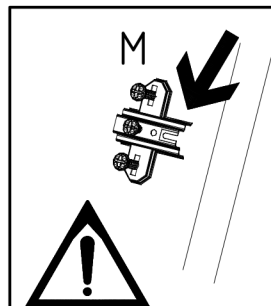
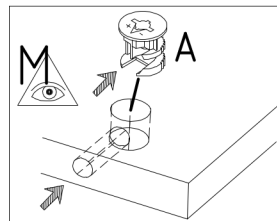
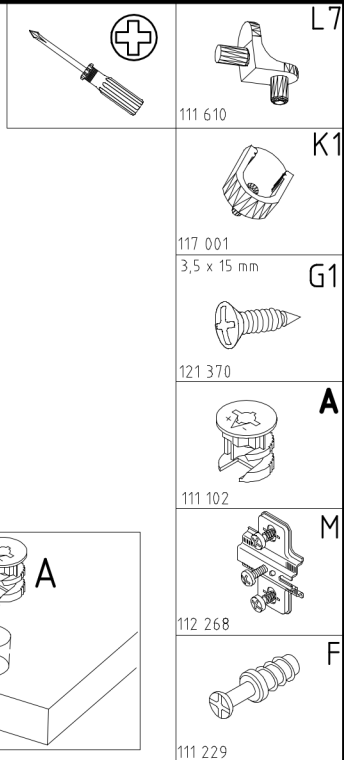
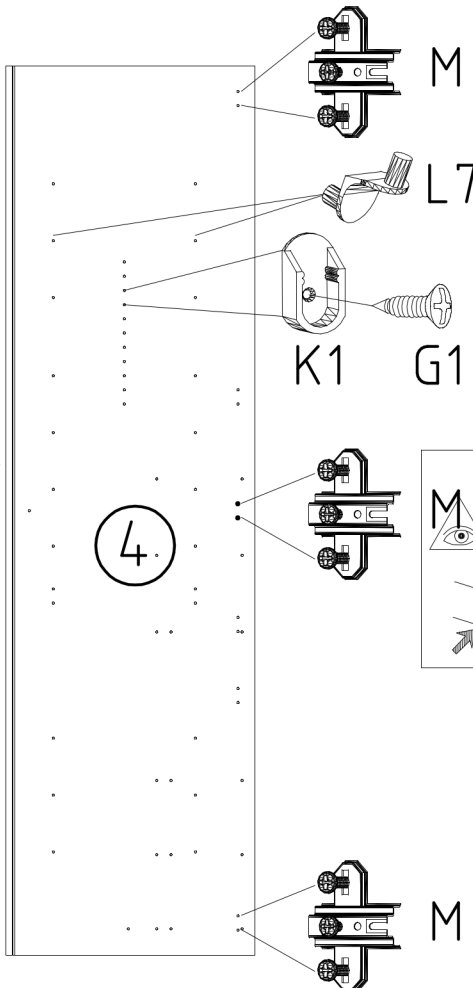
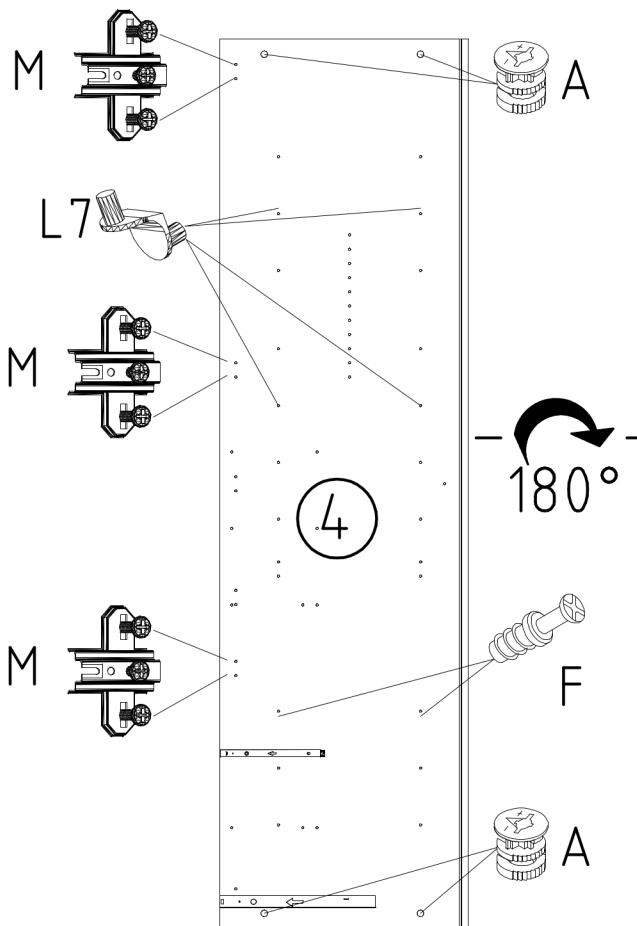
4



T3



5



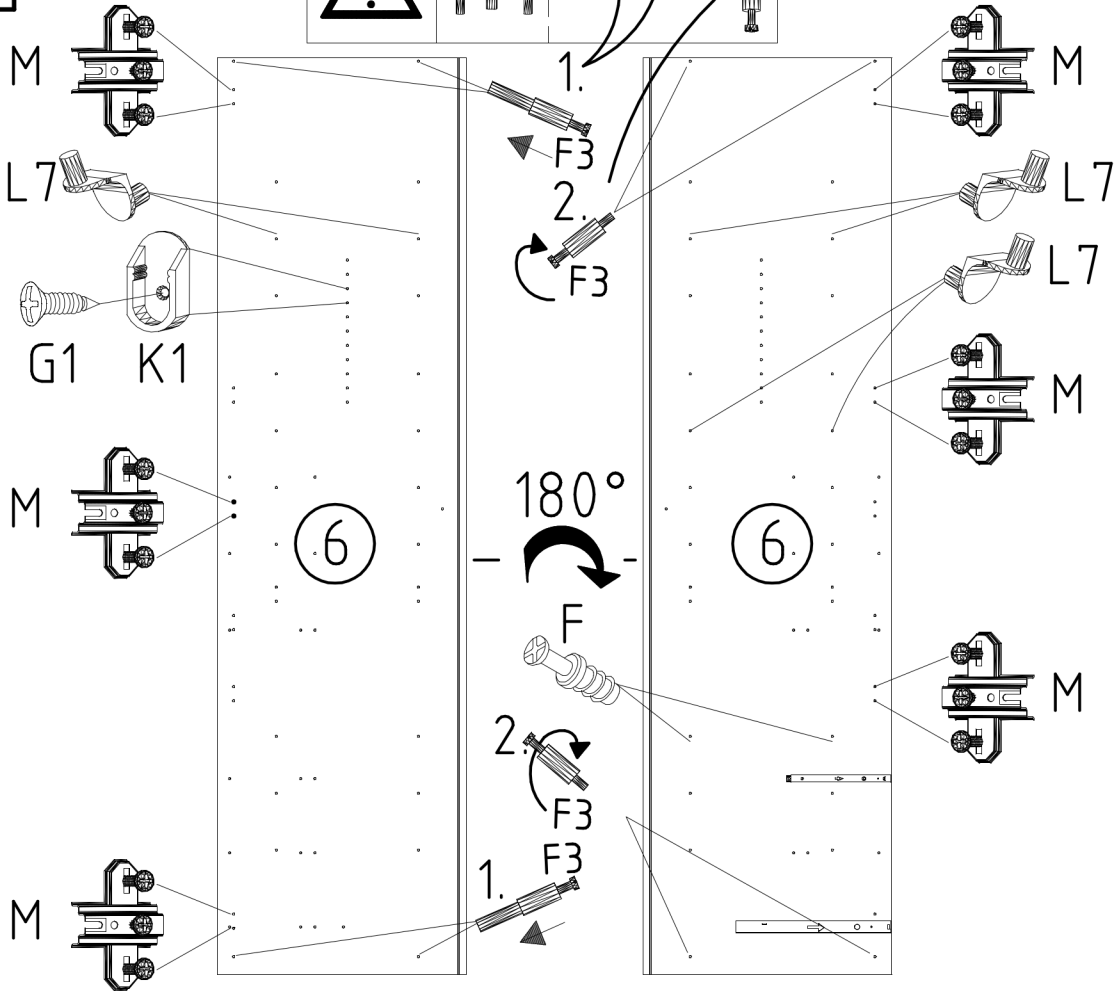
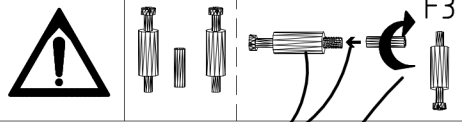
980568


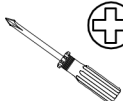



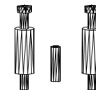
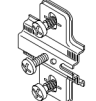
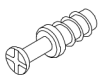
06.04.16 / 17.08.17

08 17

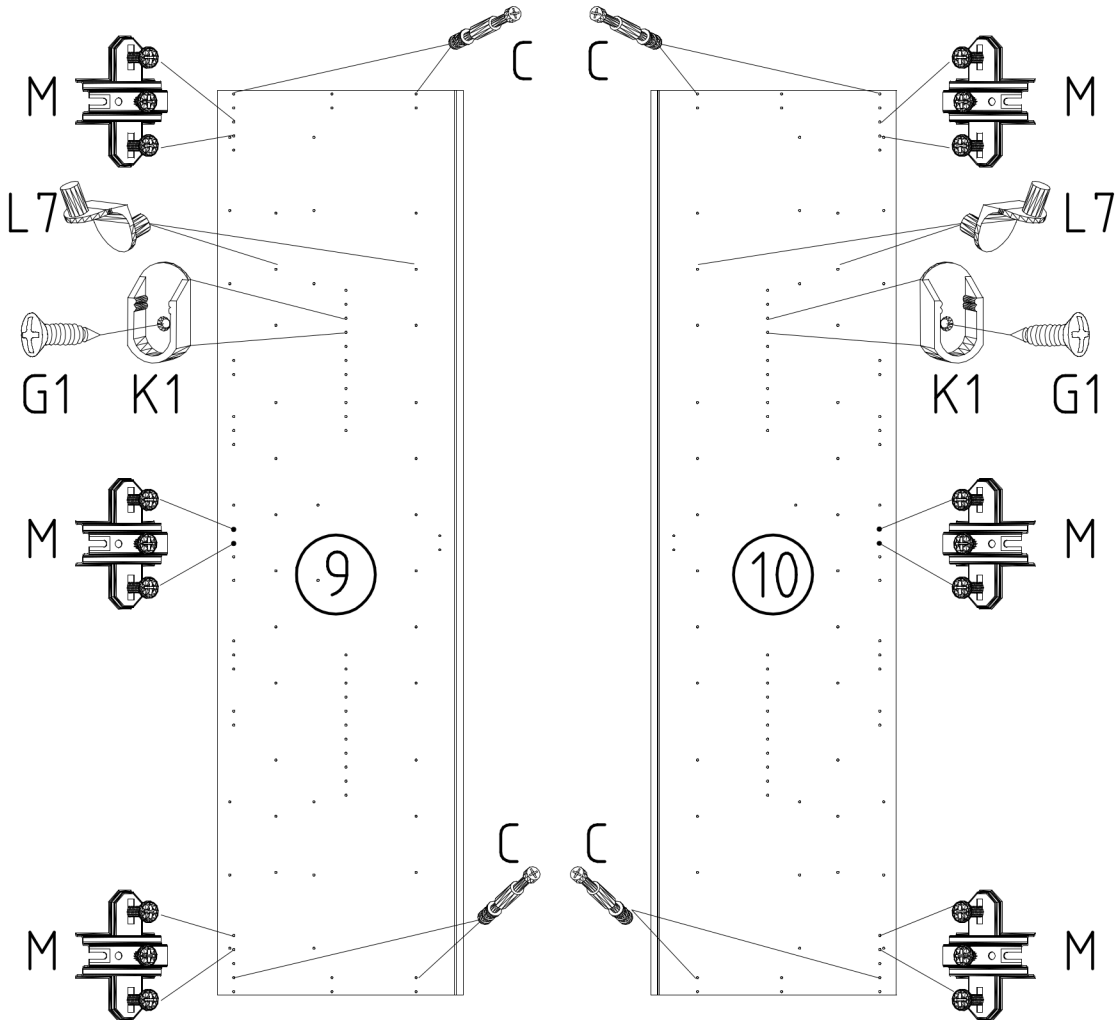
5/14


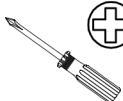



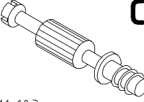
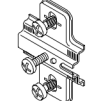
6



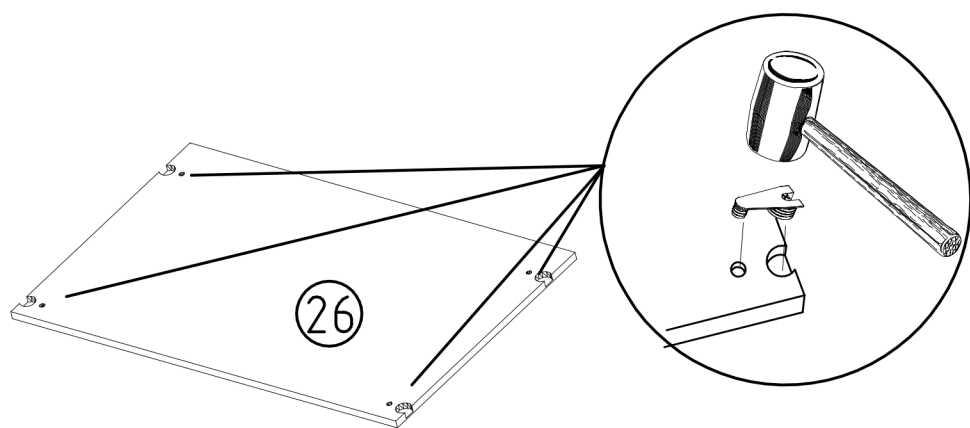
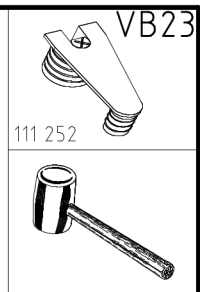
-  L7
111 610
-  
-  K1
117 001
3,5 x 15 mm
-  G1
121 370
-  F3
-  M
112 268
-  F
111 229

7

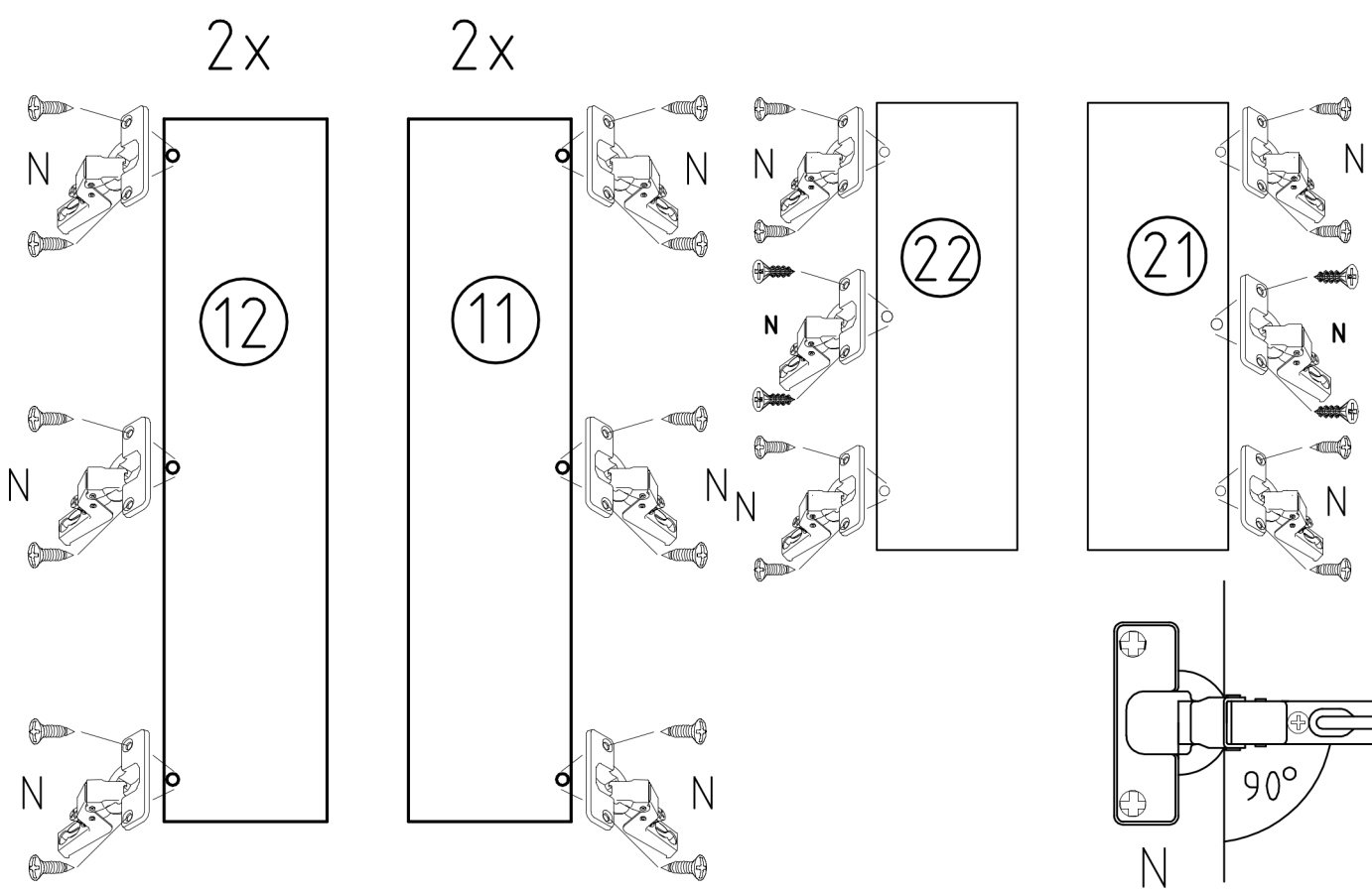
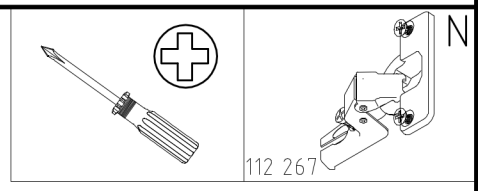


-  L7
111 610
-  
-  K1
117 001
3,5 x 15 mm
-  G1
121 370
-  C
111 103
-  M
112 268

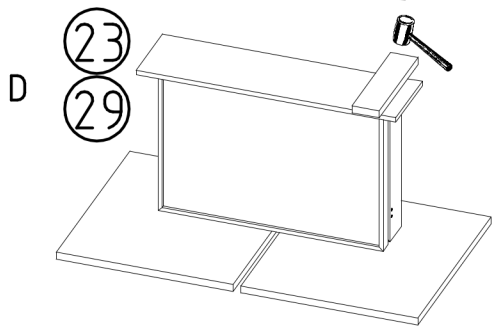
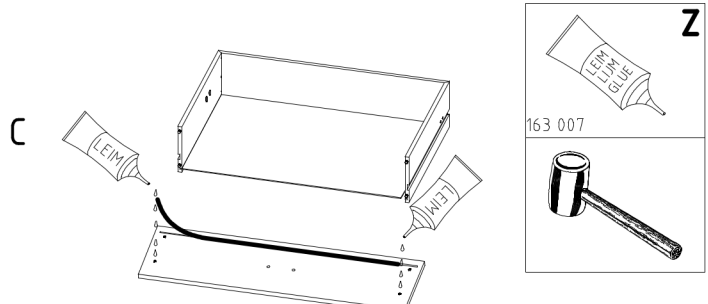
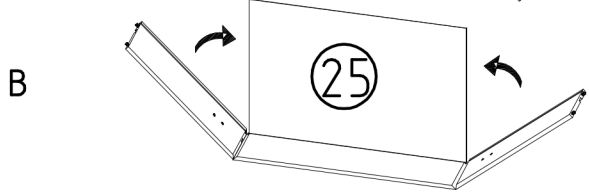
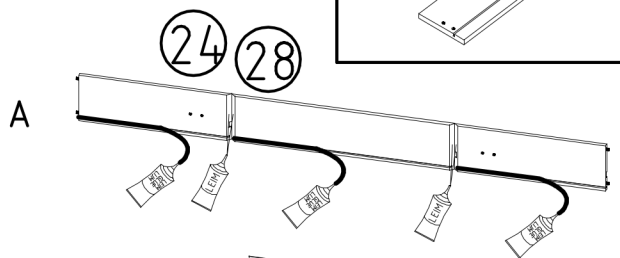
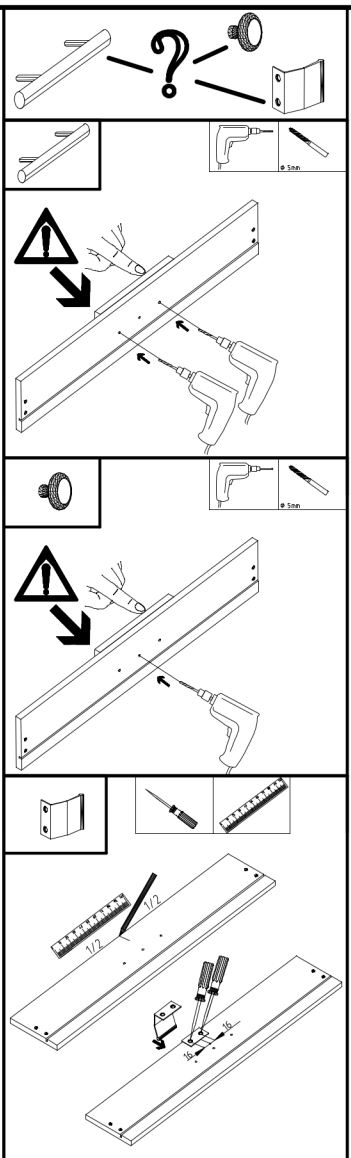
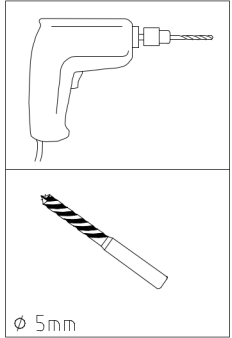
8



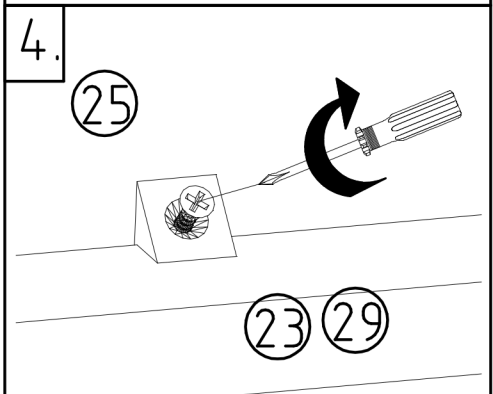
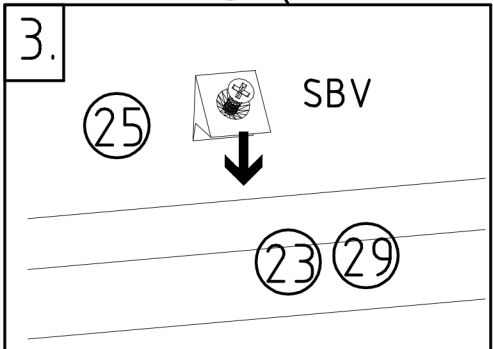
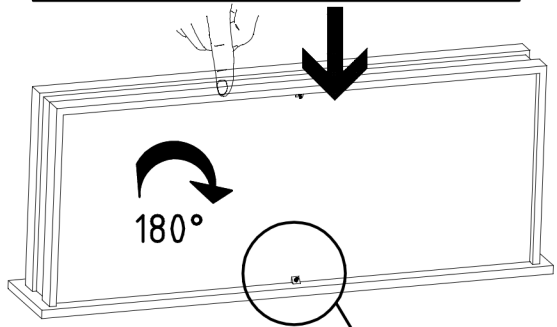
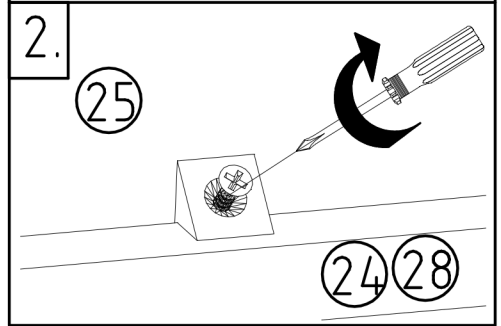
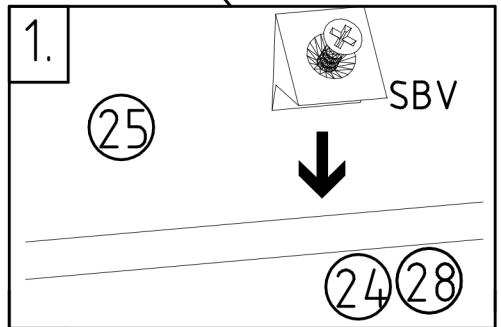
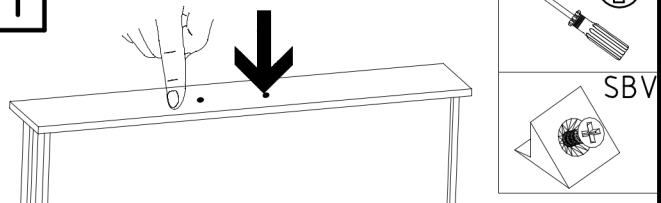
9



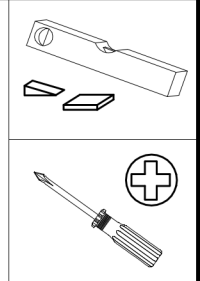
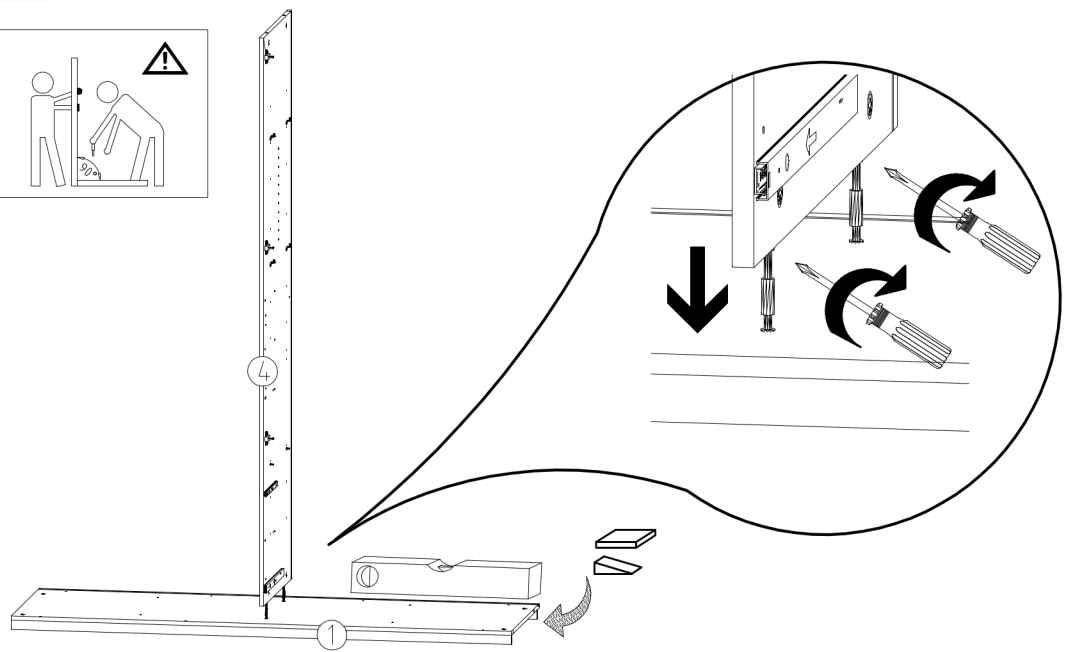
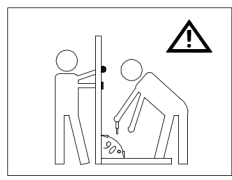
10



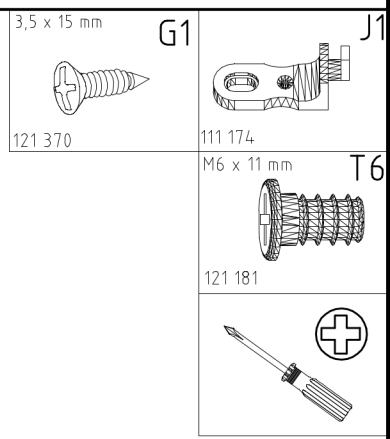
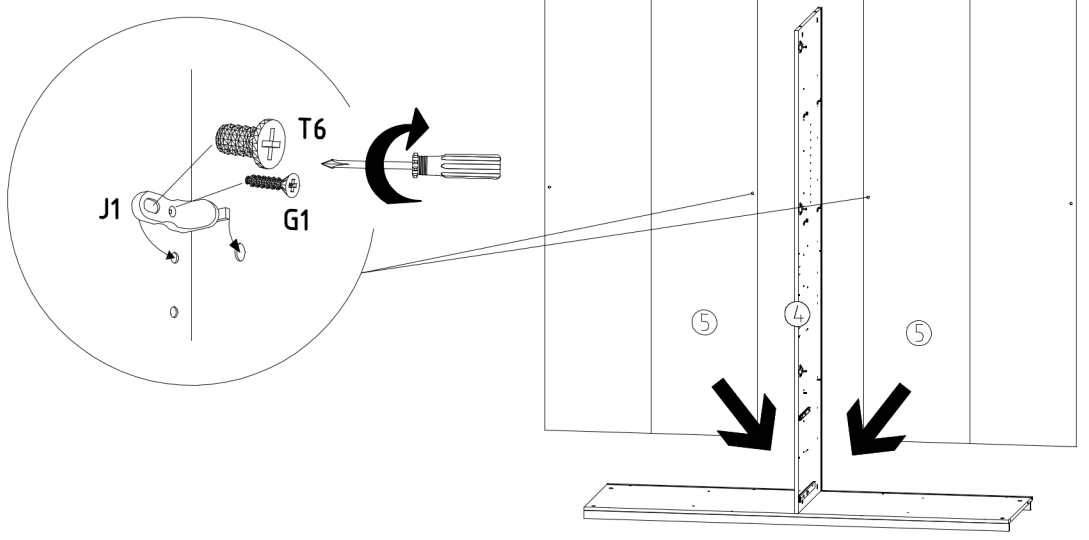
11



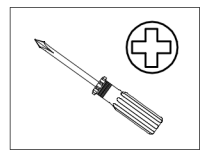
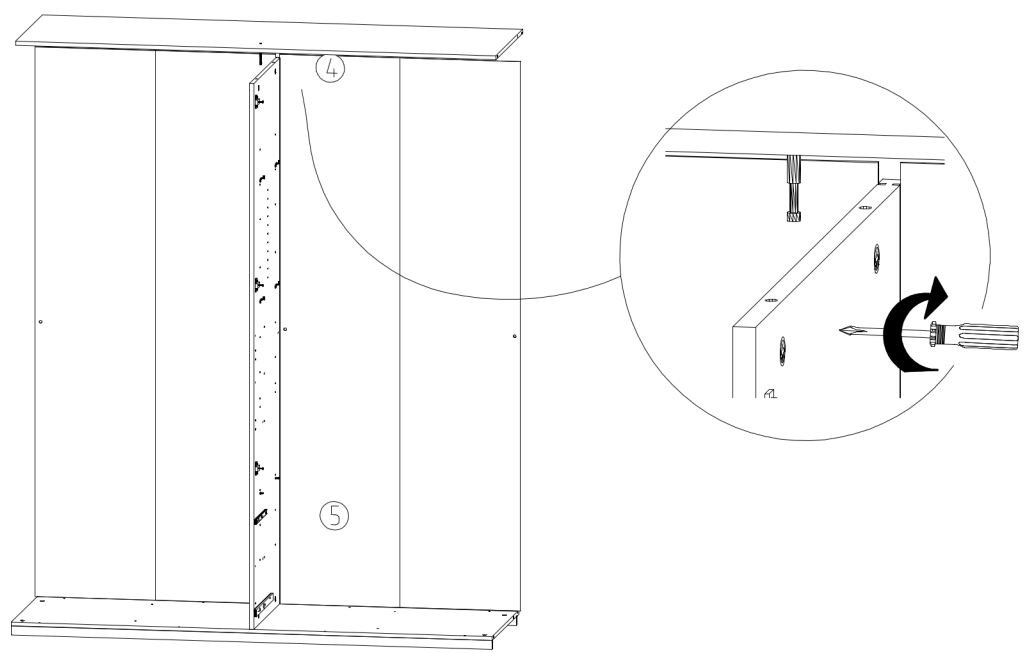
12



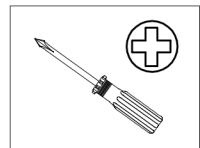
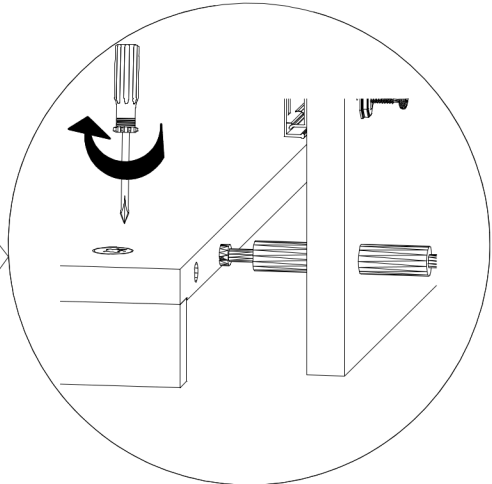
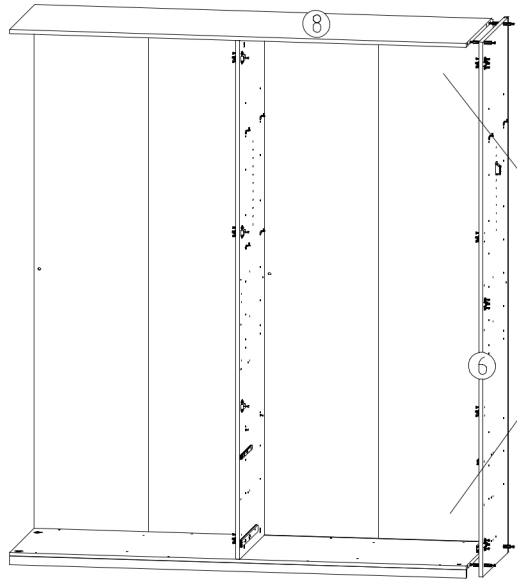
13



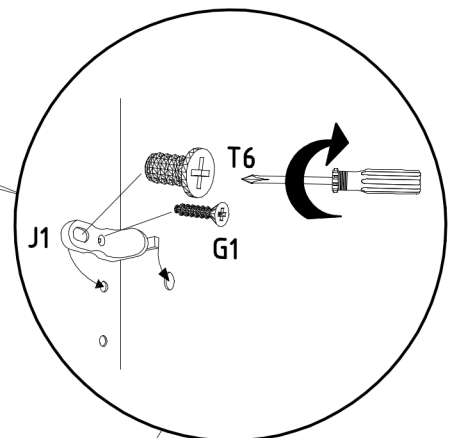
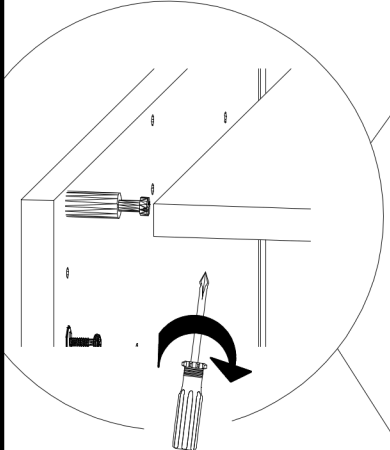
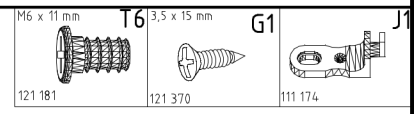
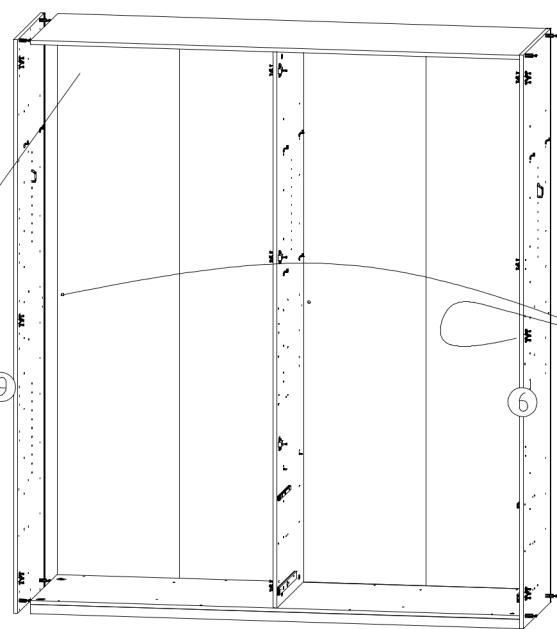
14



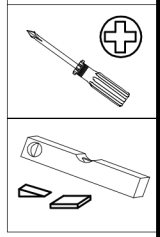
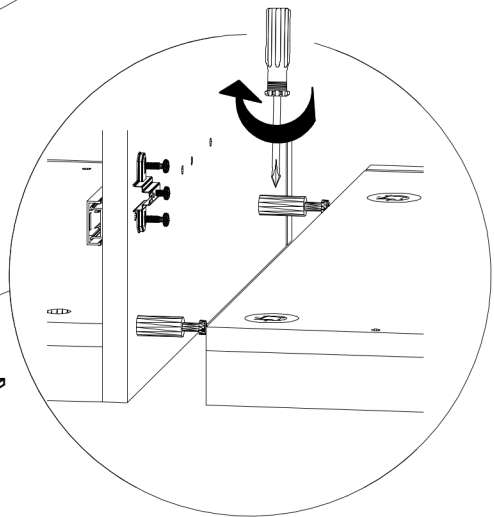
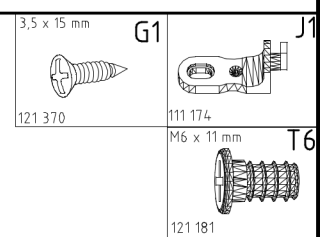
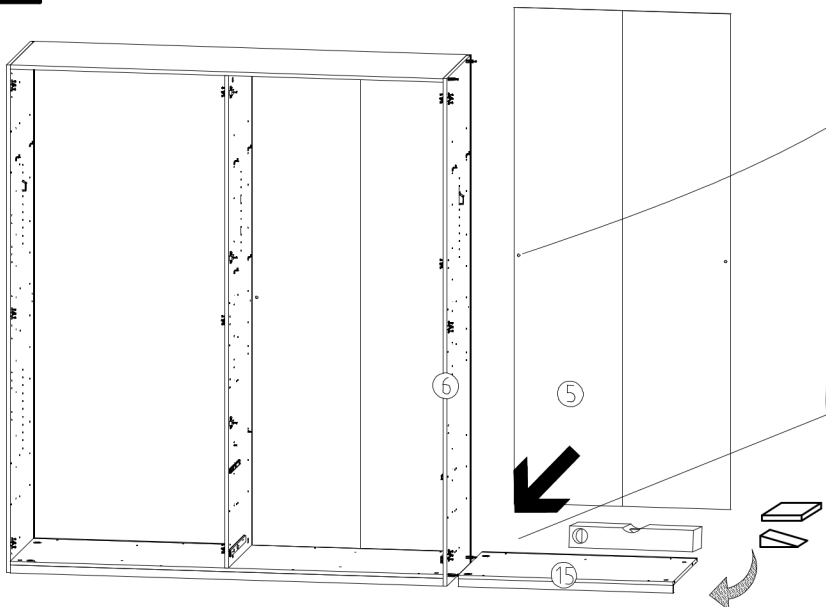
15



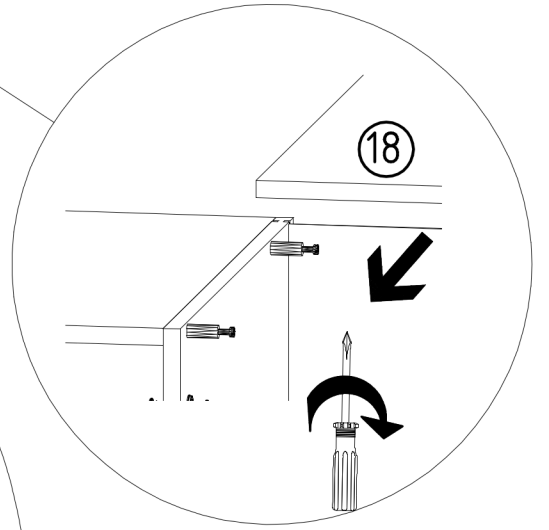
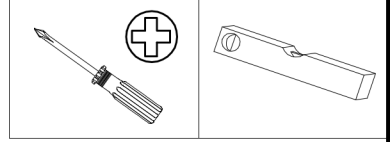
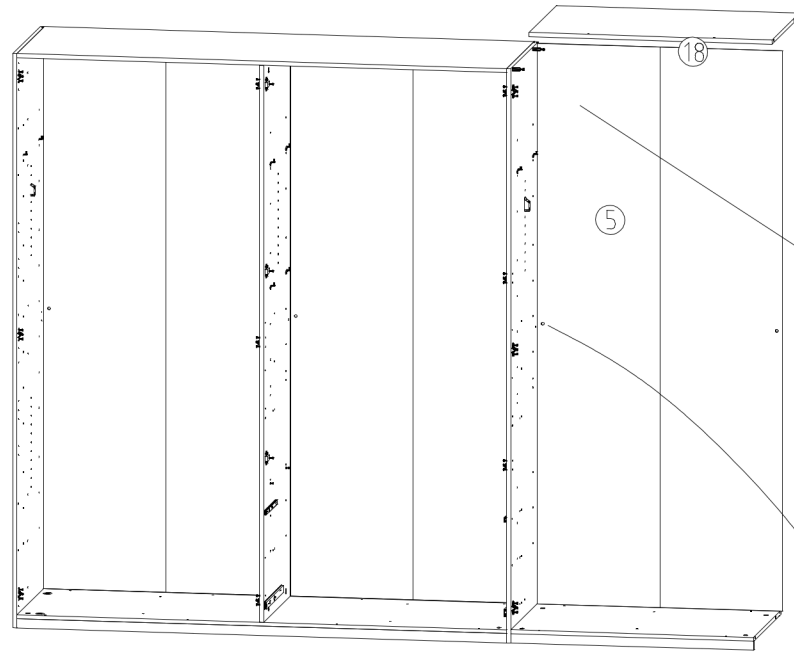
16



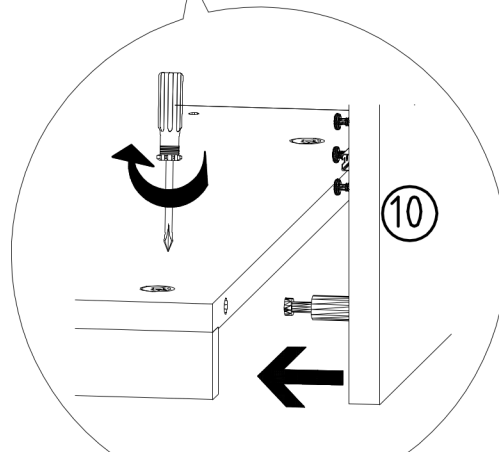
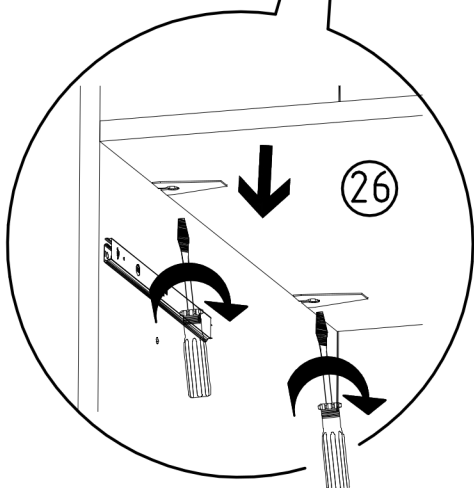
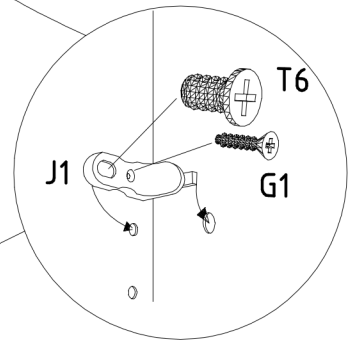
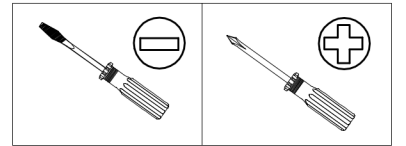
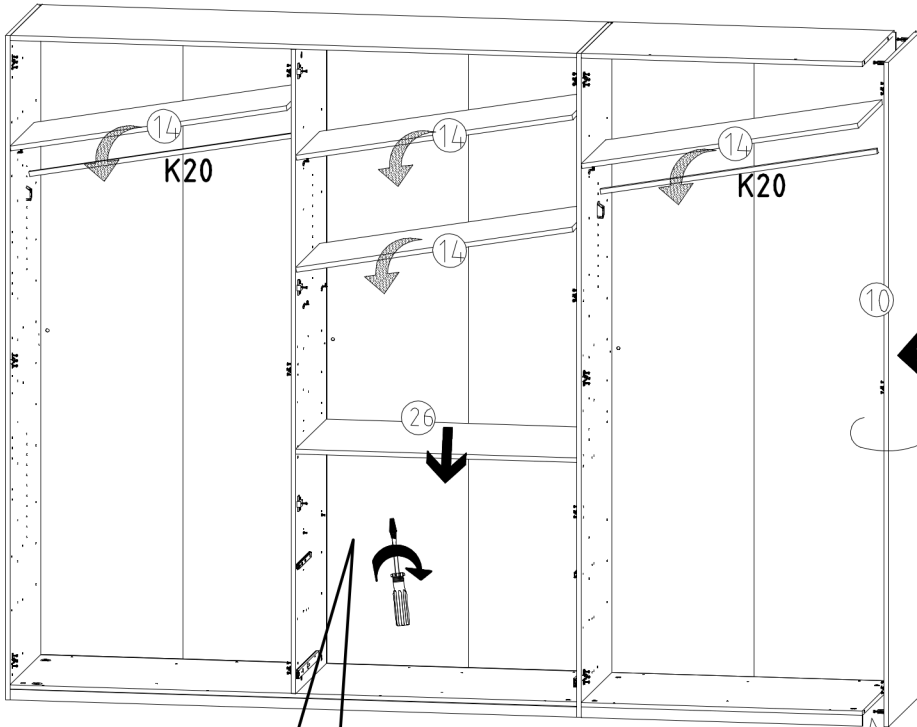
17



18

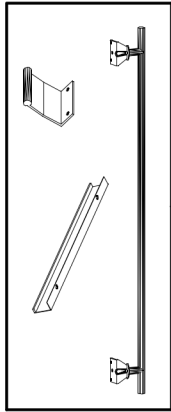
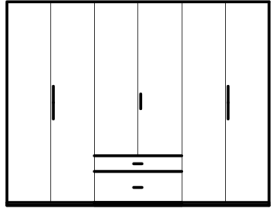
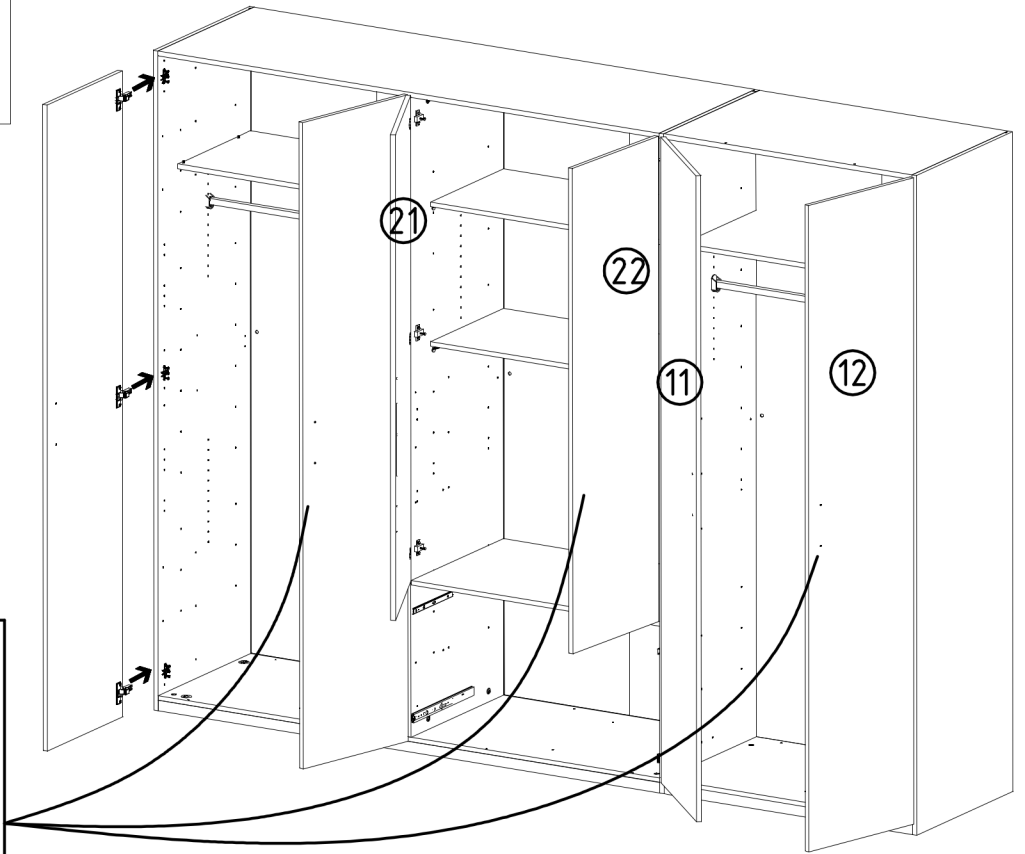
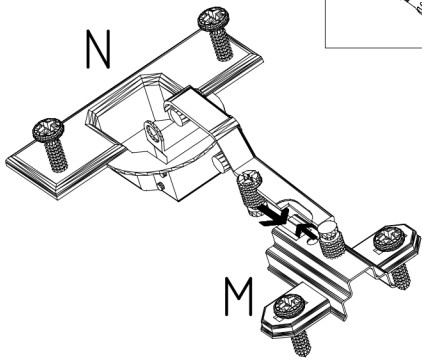
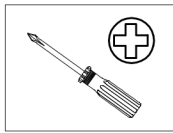


19

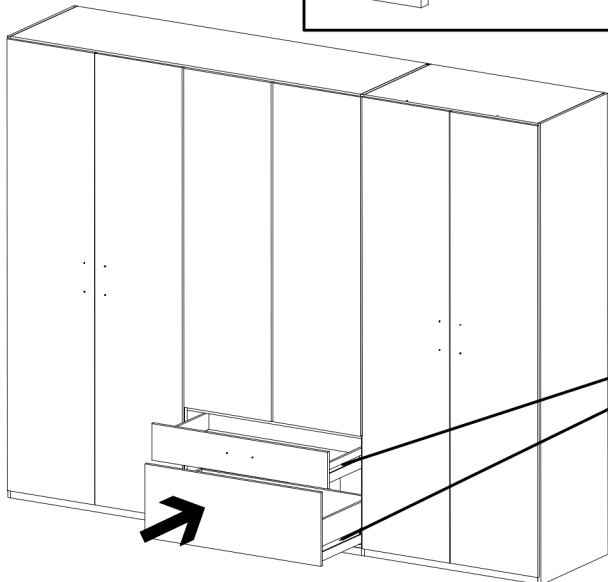
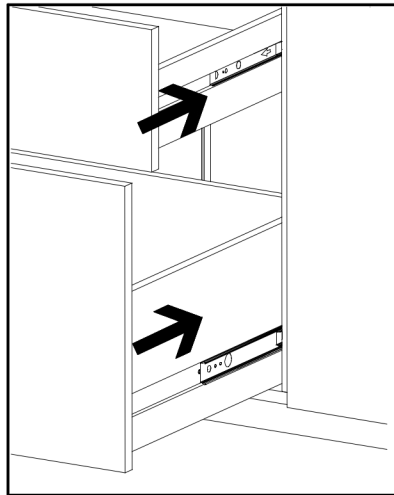


| |
|-------------|
| K20 |
| 870mm |
| 112 402 |
| J1 |
| 111 174 |
| M6 x 11 mm |
| T6 |
| 121 181 |
| 3,5 x 15 mm |
| G1 |
| 121 370 |

20



21

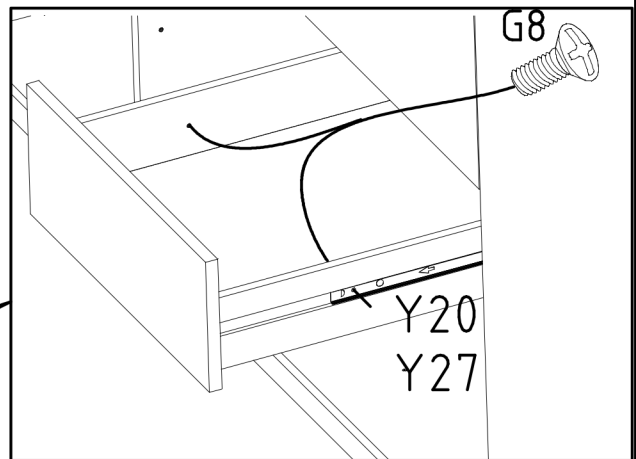
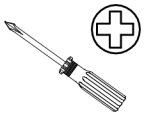


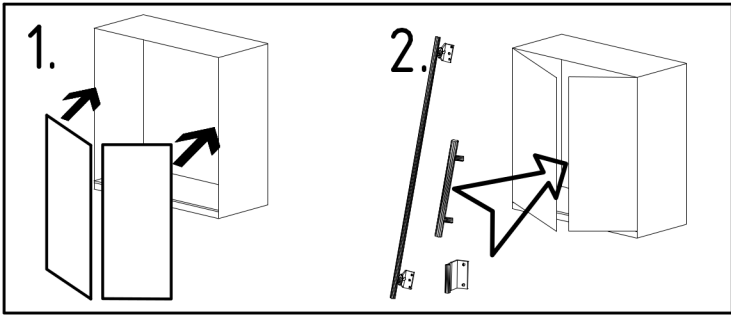
22

M4 x 9 mm G8

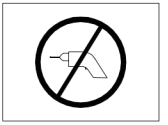
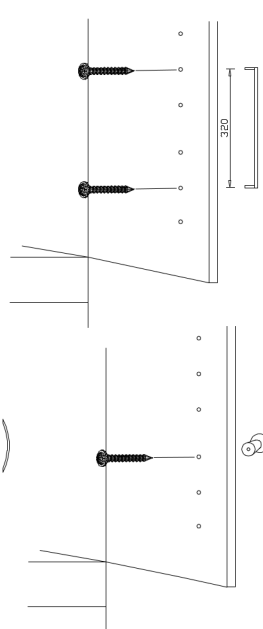
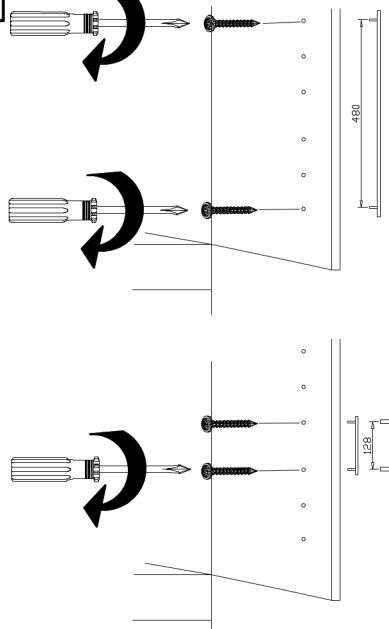
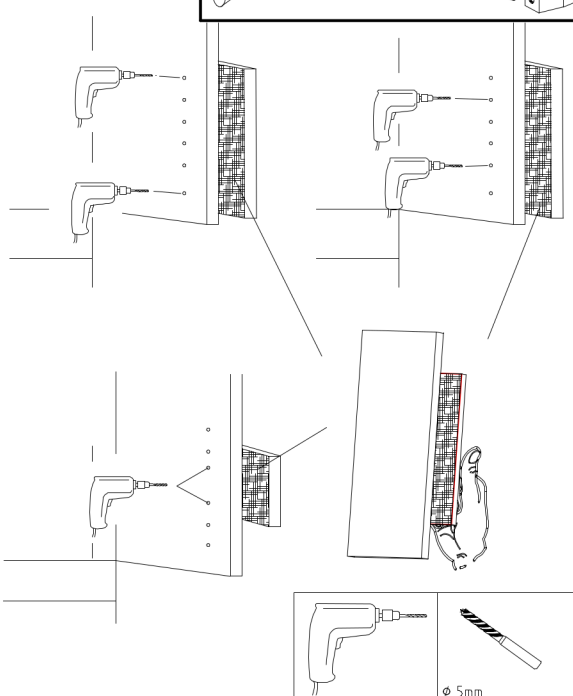
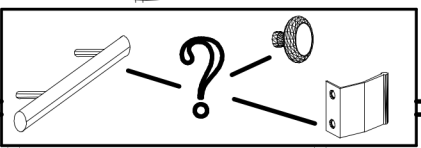
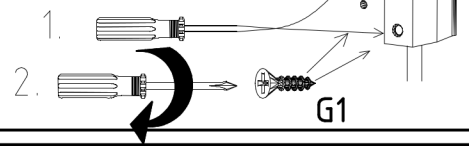
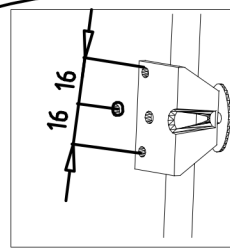
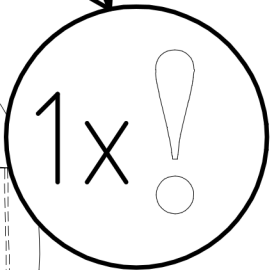
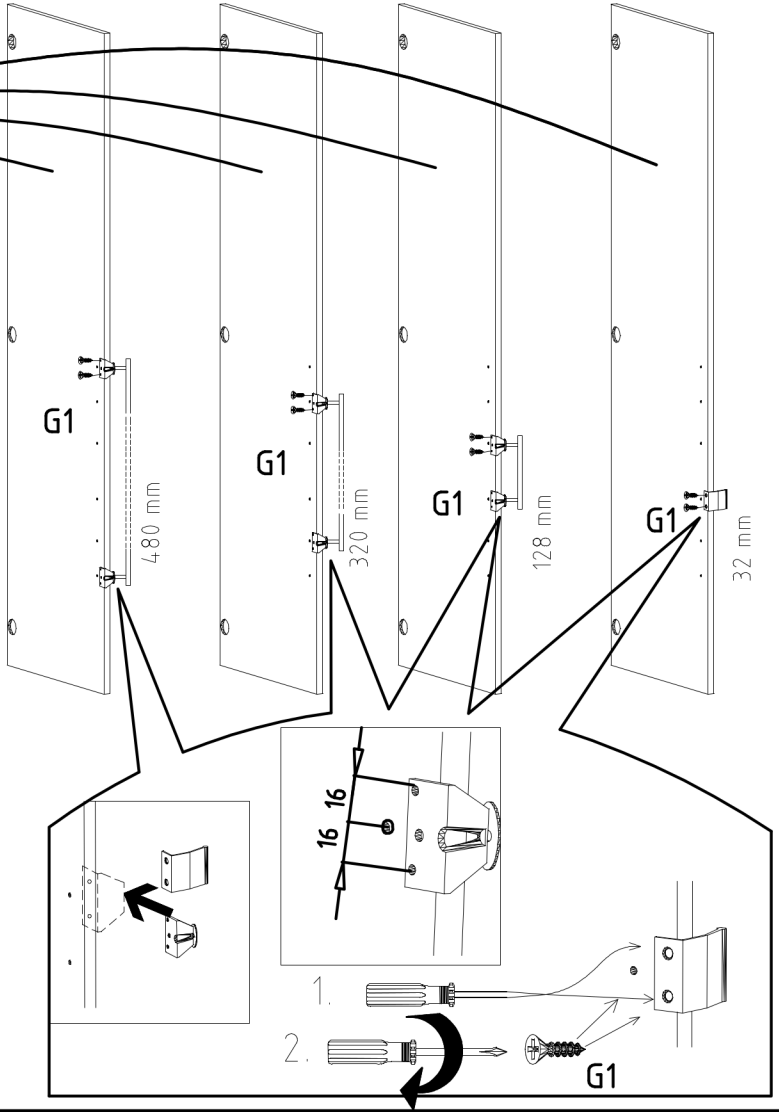
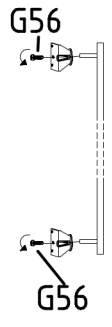
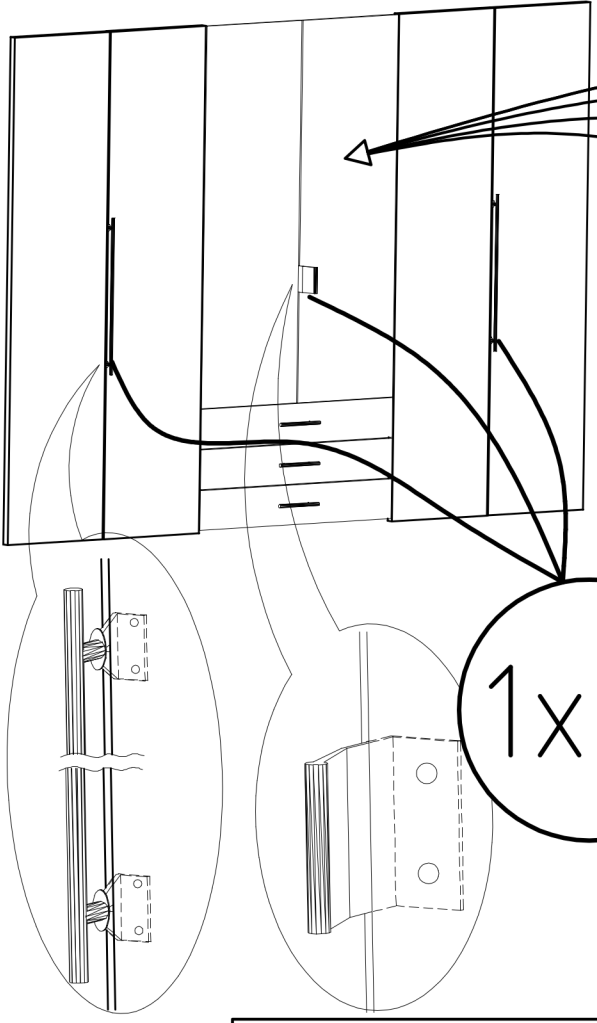


111 015

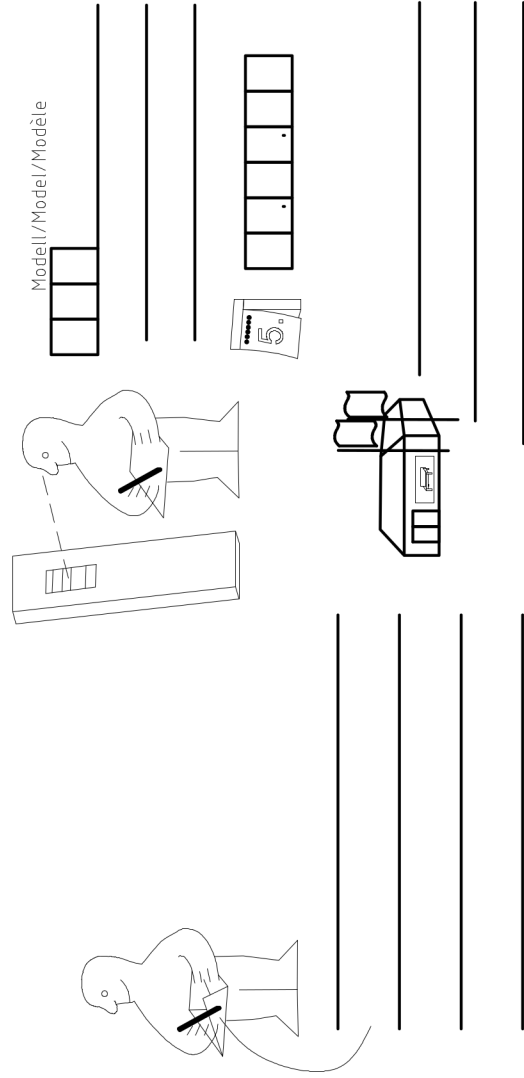
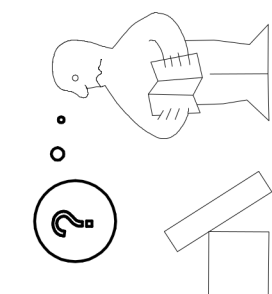
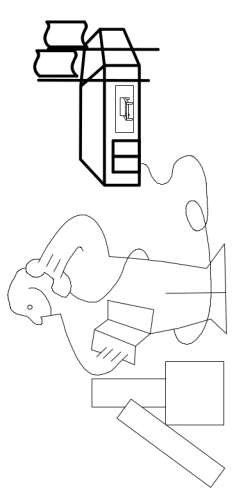
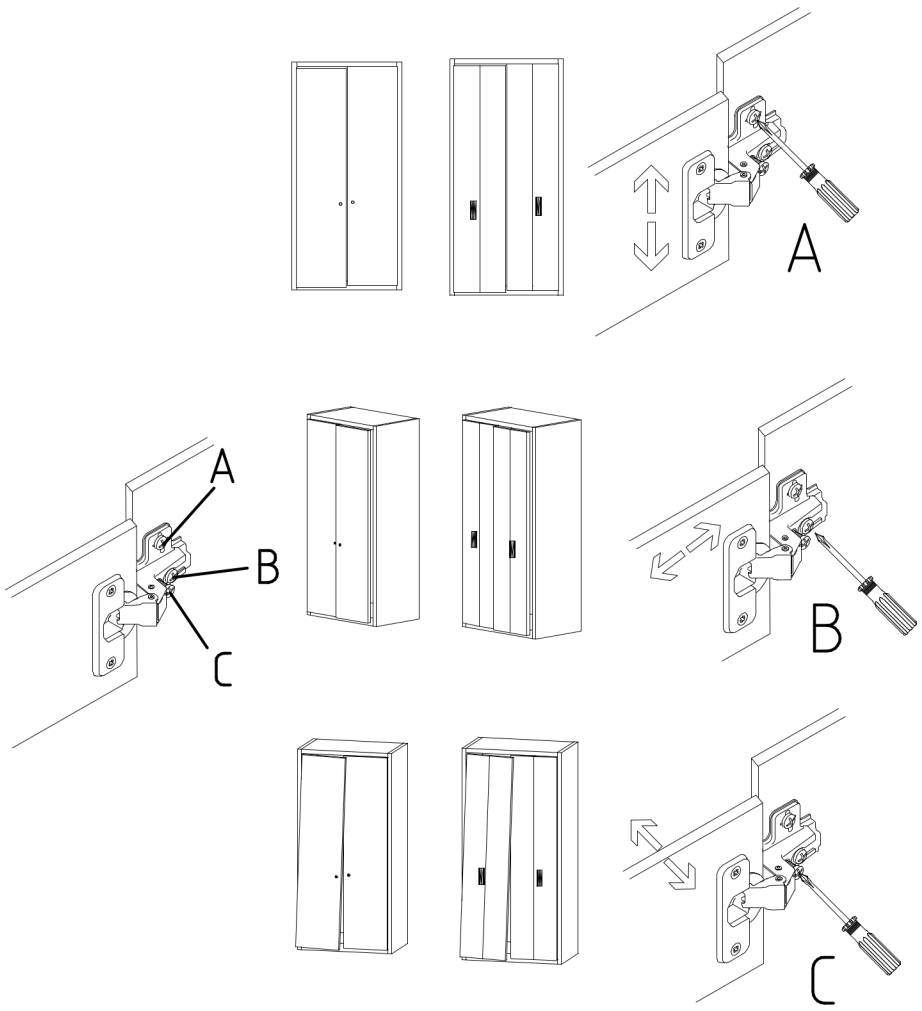




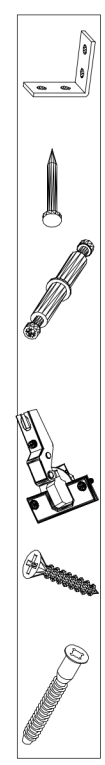
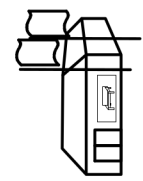
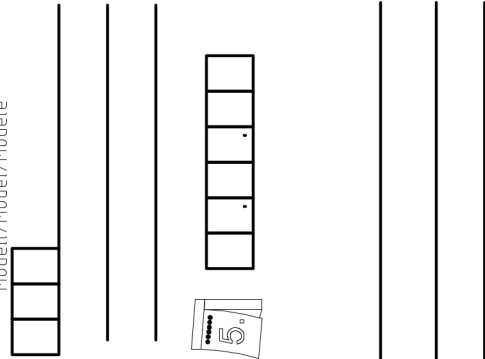
| | | | |
|------------------------|----|------------------------|-----|
| 3,5 x 15 mm 121 370 | G1 | 4,0 x 12 mm 122 625 | G56 |
|------------------------|----|------------------------|-----|



| | |
|----------|------|
| | SP27 |
| 4 X 27mm | G49 |
| 122620 | |
| 4,0x22 | |
| | |
| 122 609 | |



Modell/Model/Modèle



| | | |
|-----------|---------|------|
| (121 370) | (G 1) | (4x) |
| | | |
| | | |
| | | |
| | | |