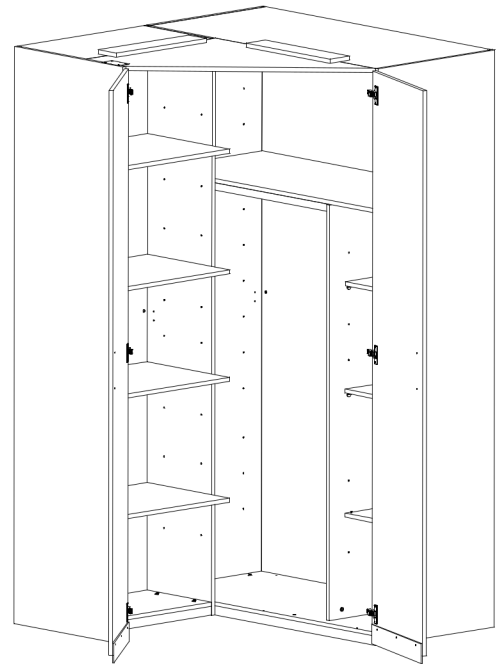
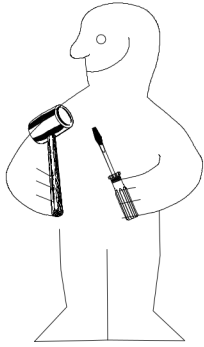
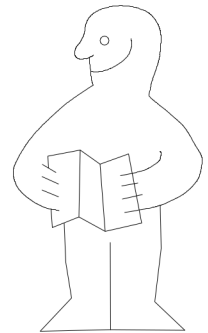
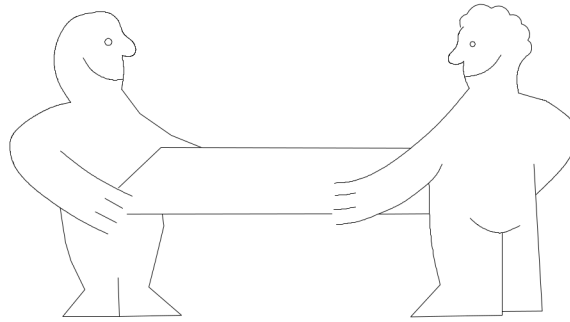
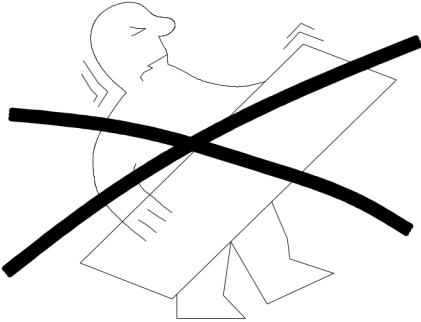


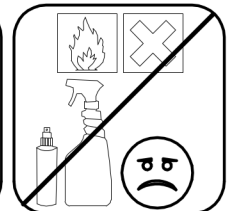
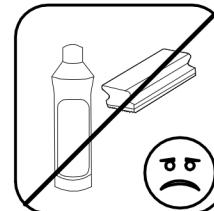
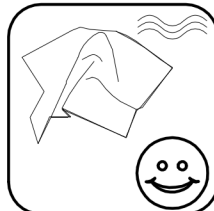
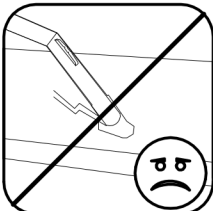
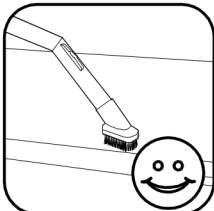
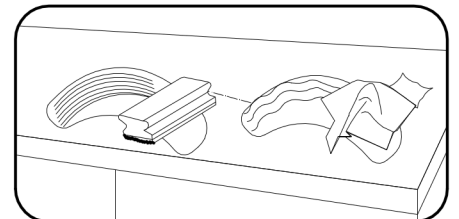
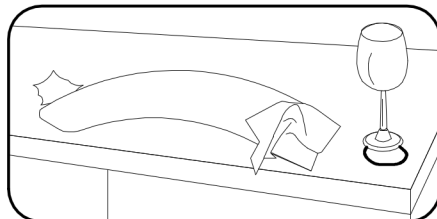
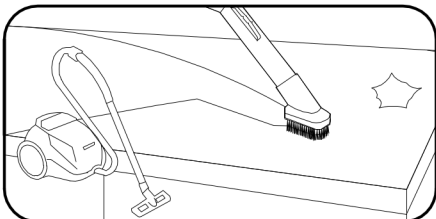
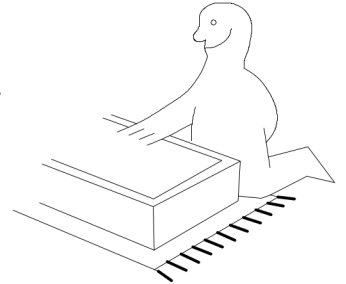
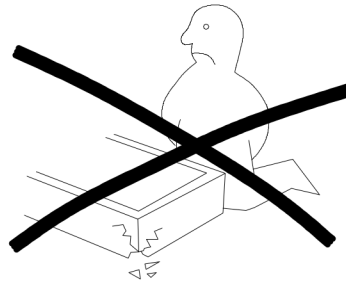
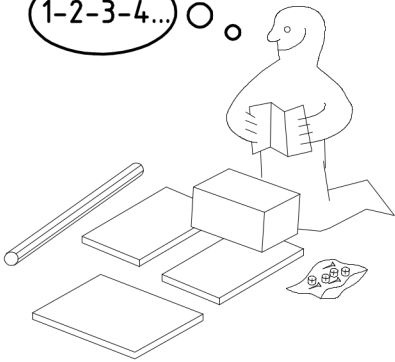
980330



NSP



1-2-3-4... ○ ○

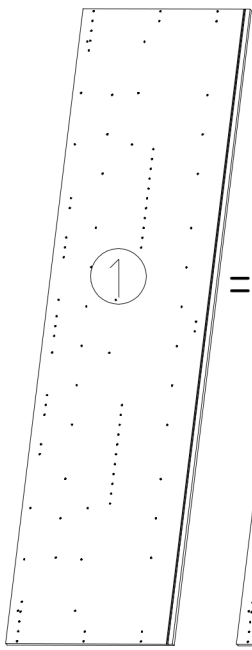


980330

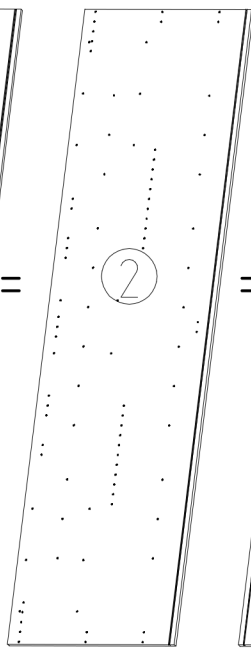
31.03.16 / 25.10.17

10 17

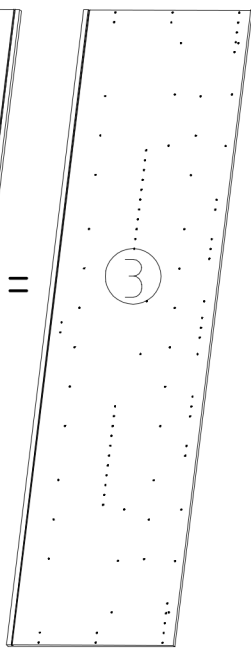
1/15



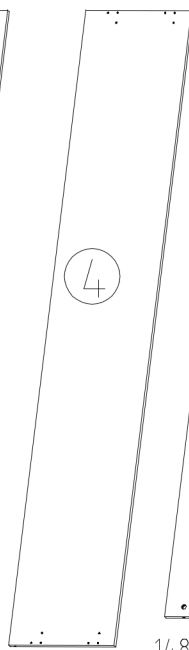
2064x560x15



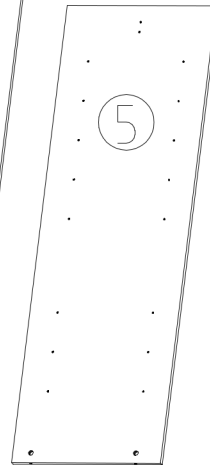
2064x560x15



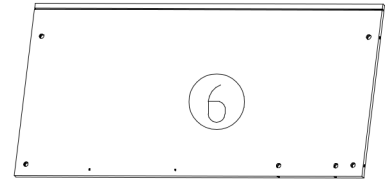
2064x560x15



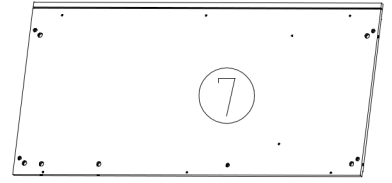
2064x354x15



1486x500x15



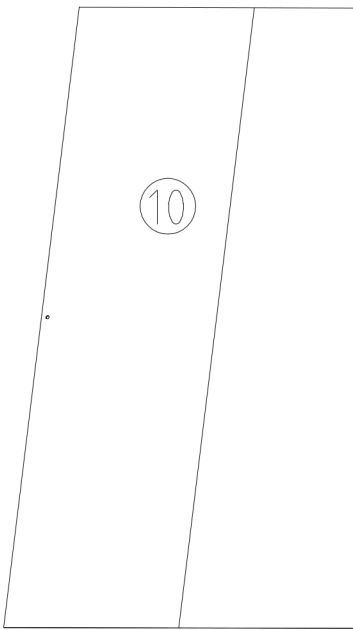
1167x560x15



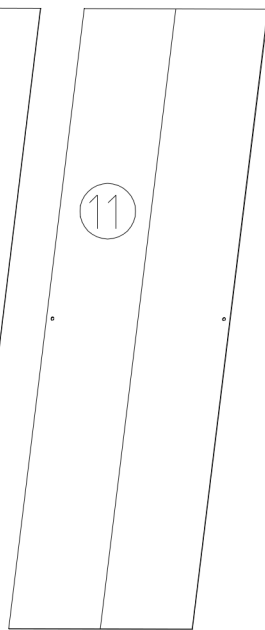
1167x560x15



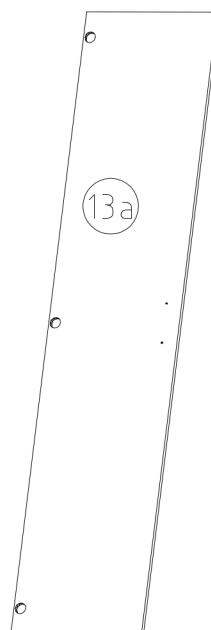
1167x33x15



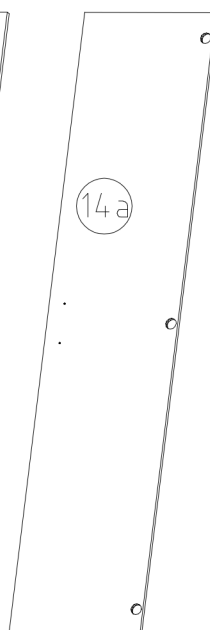
2015x1176x2,5



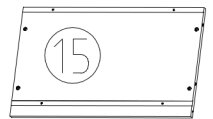
2015x616x2,5



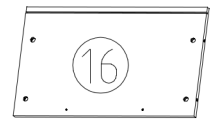
2021x439x15



2021x439x15



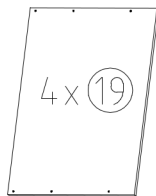
607x354x15



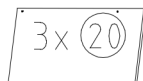
607x354x15



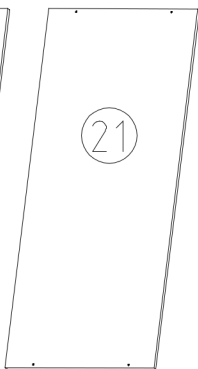
607x33x15



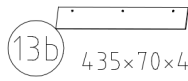
607x425x18



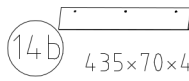
279x425x18



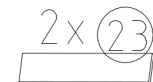
1167x500x18



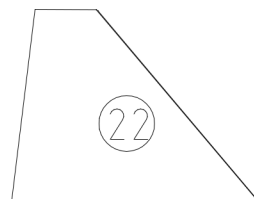
435x70x4



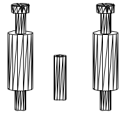
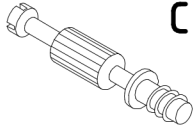
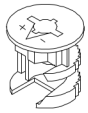
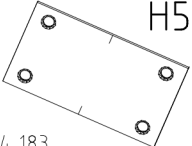
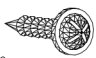
435x70x4



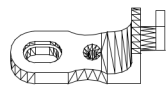
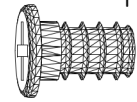
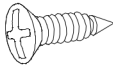


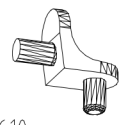
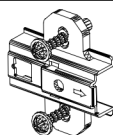
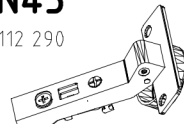
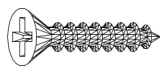


435x93x15

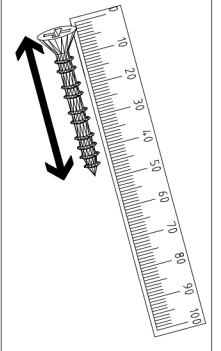
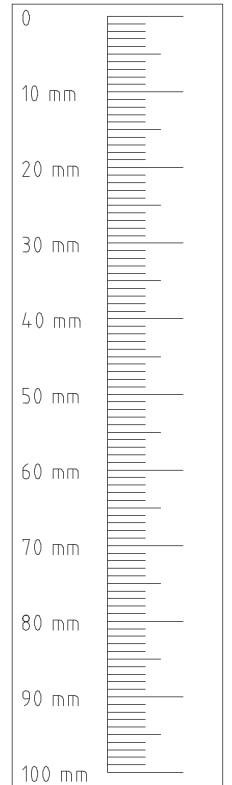


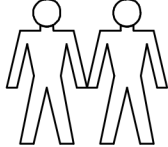
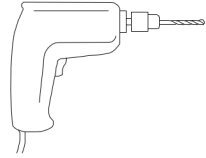


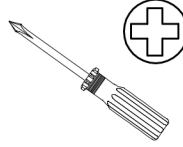
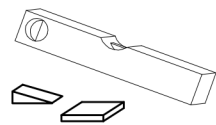
828x622x15

 F3	4x
 C	14x
 A	22x
 H5	1x
 SP15 4 X 15mm	5x

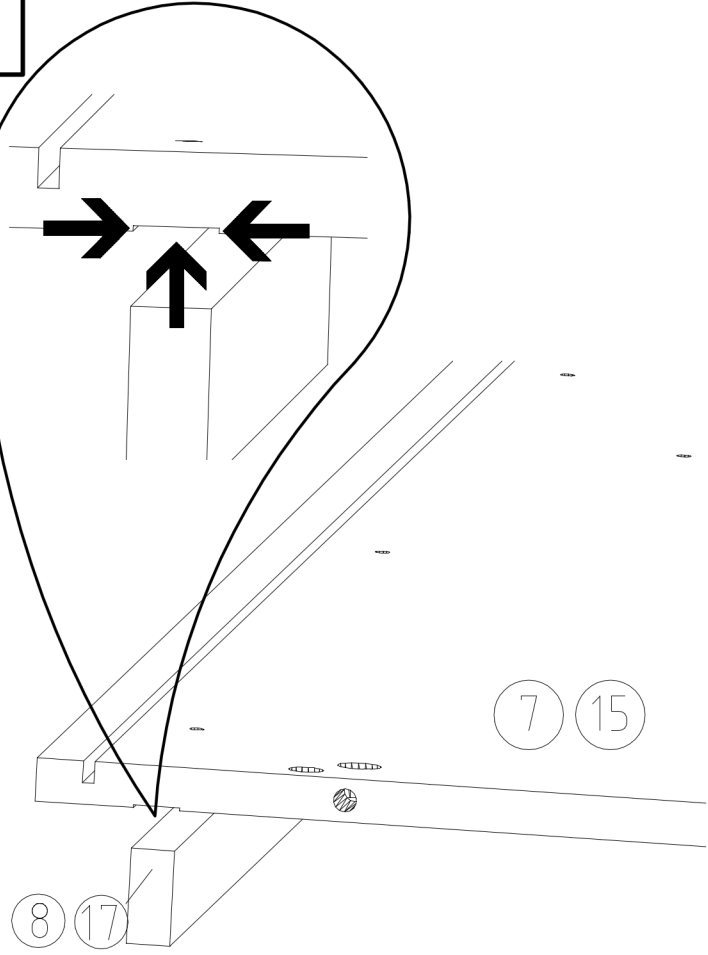
 K2	2x
 870mm K20	1x
 J1	5x
 M6 x 11 mm T6	4x
 3,5 x 15 mm G1	24x

 L7	32x
 M45	6x
 N45	6x
 3,5 x 35 mm G14	10x
 4 X 27mm SP27	18x
 V12 φ12	9x

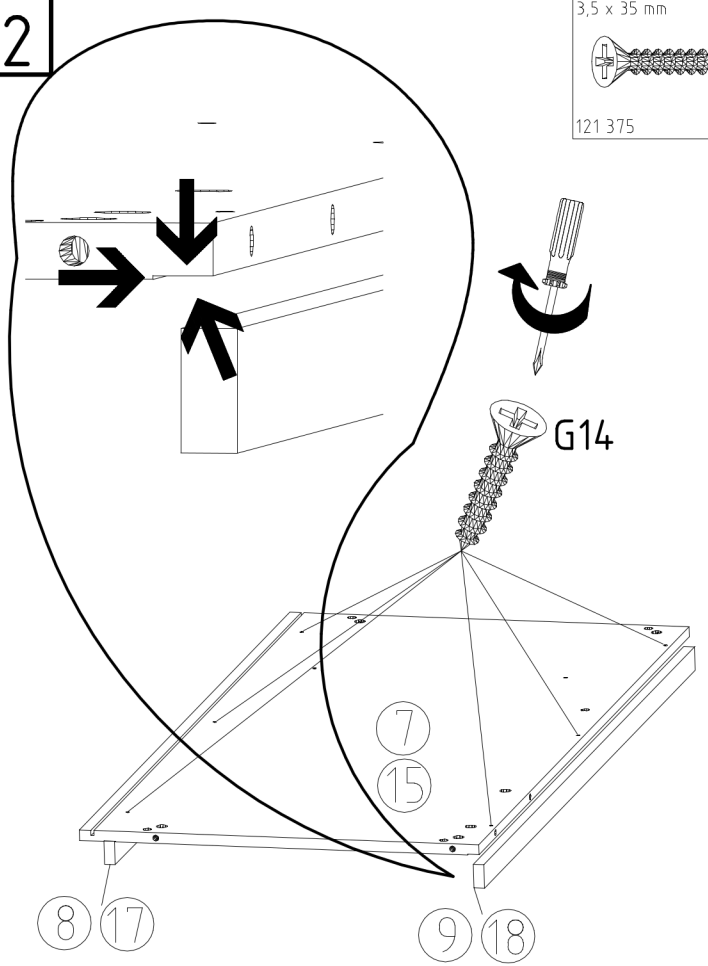


		 φ 10mm
		

1



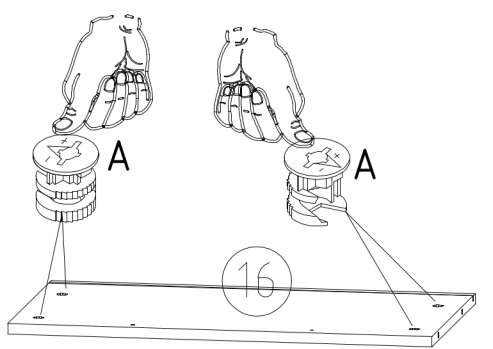
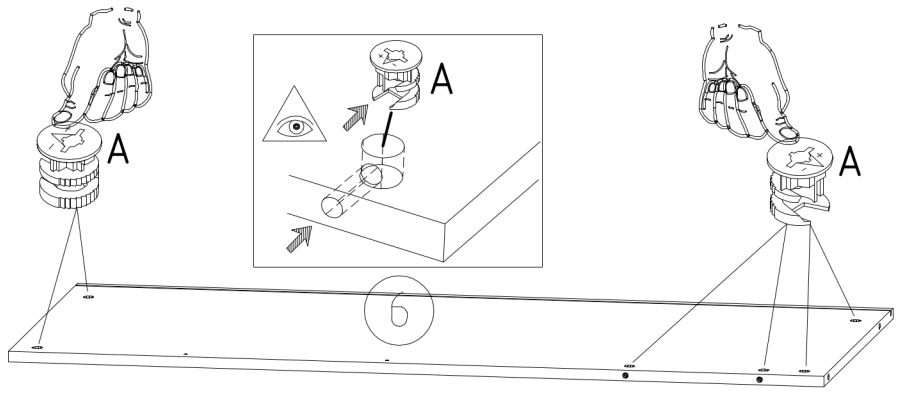
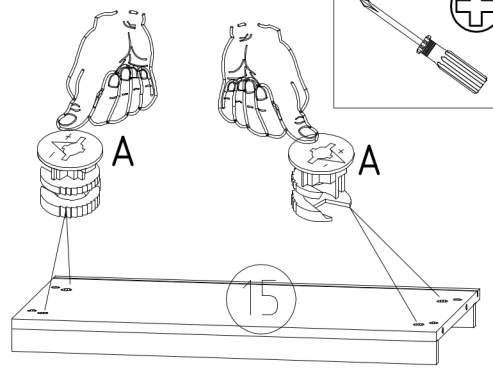
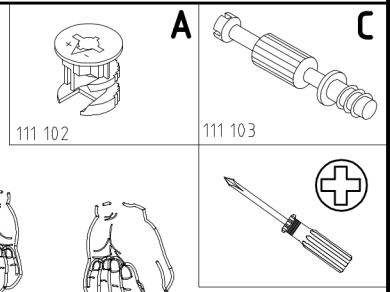
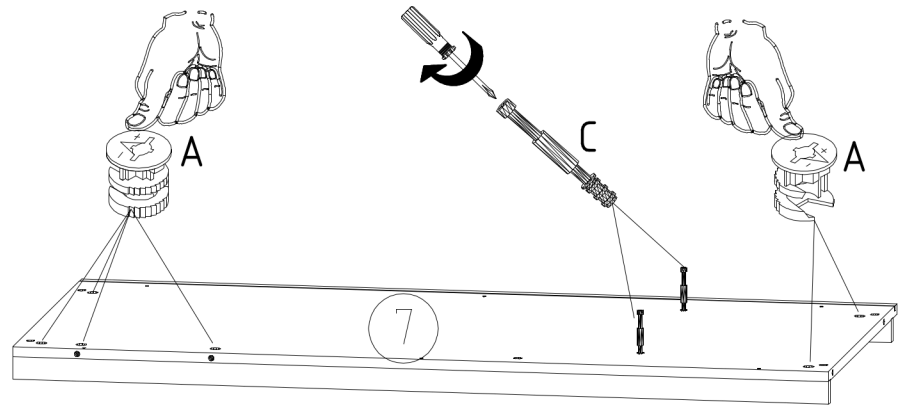
2



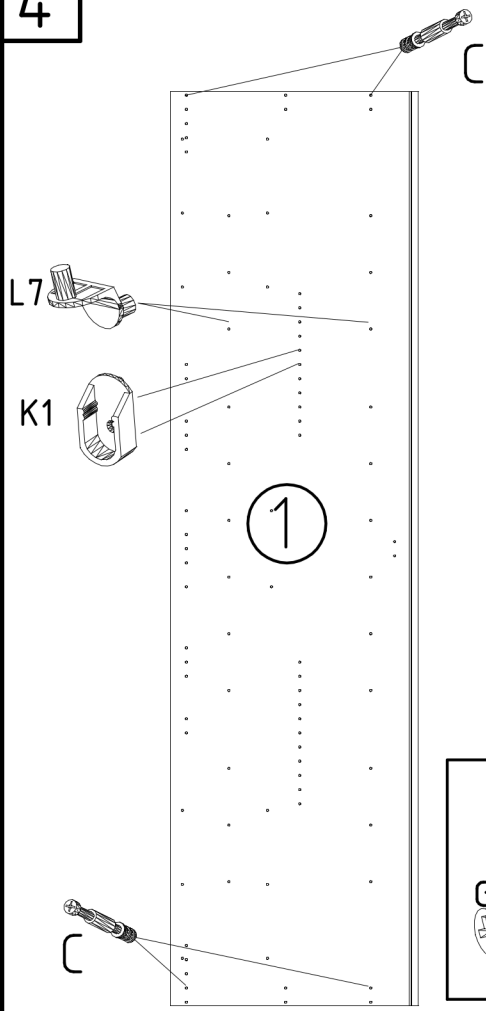
3,5 x 35 mm **G14**  
121 375




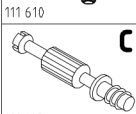
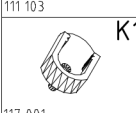

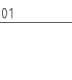
3

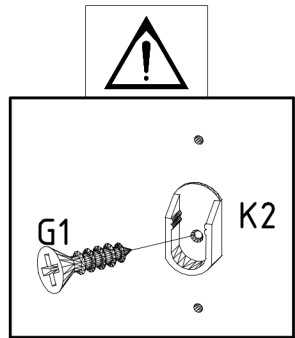
7+8+9      15+17+18



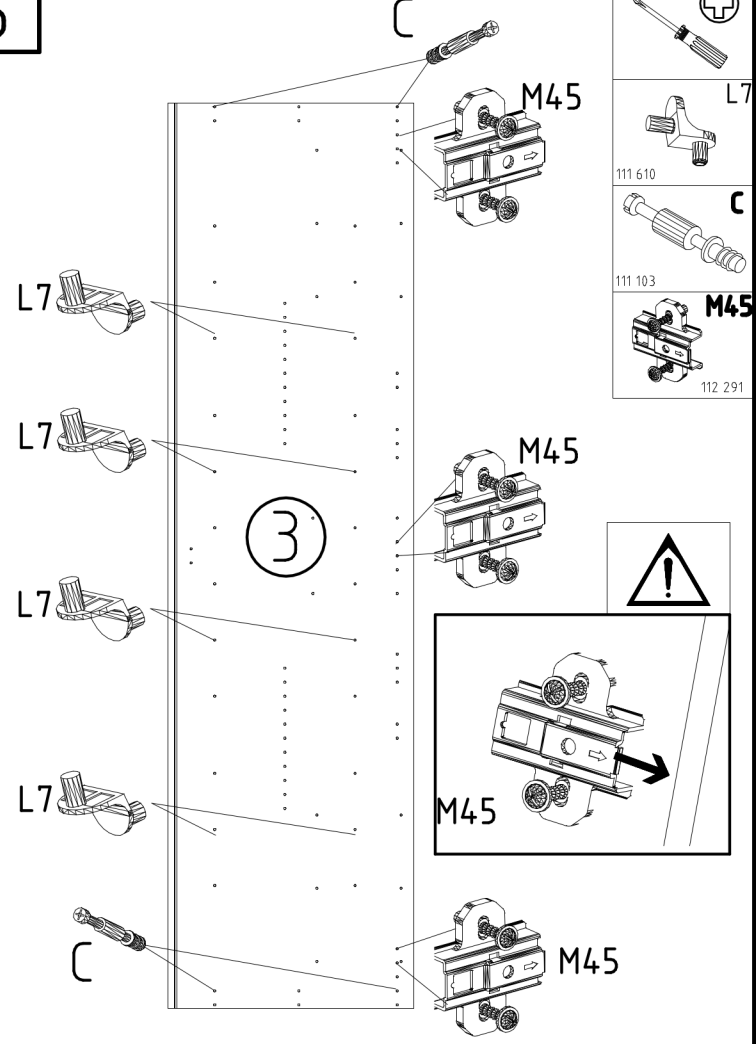
4



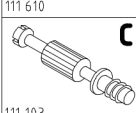
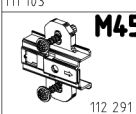

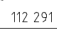


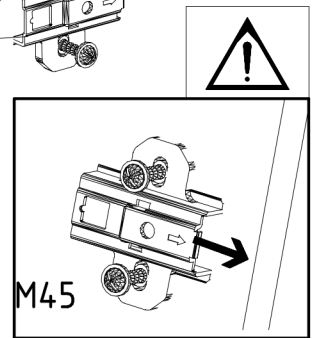
-  3,5 x 15 mm G1
-  121 370
-  L7
-  111 610
-  111 103
-  K1
-  117 001



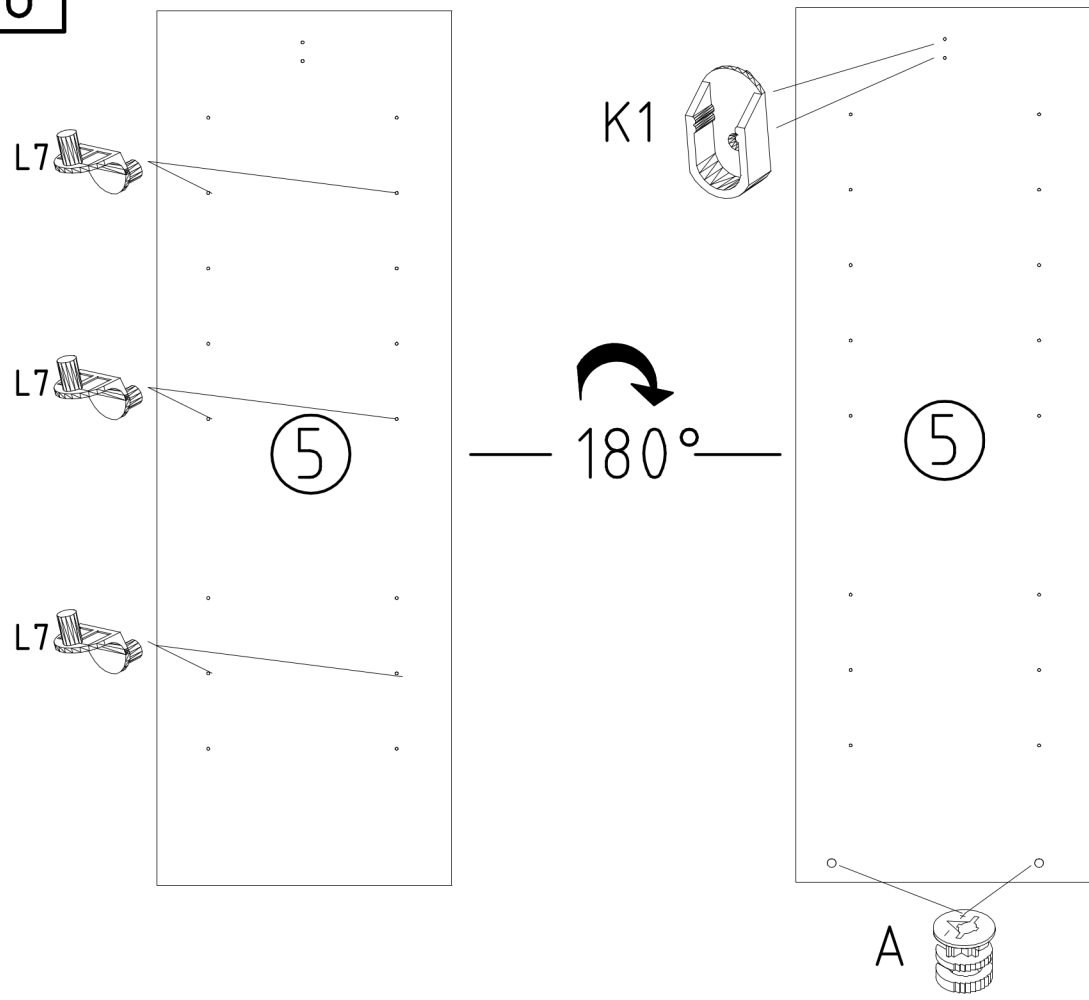
5











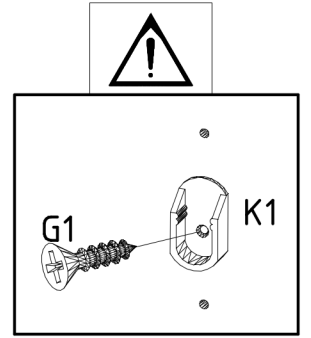
-  3,5 x 15 mm G1
-  L7
-  111 610
-  111 103
-  M45
-  112 291



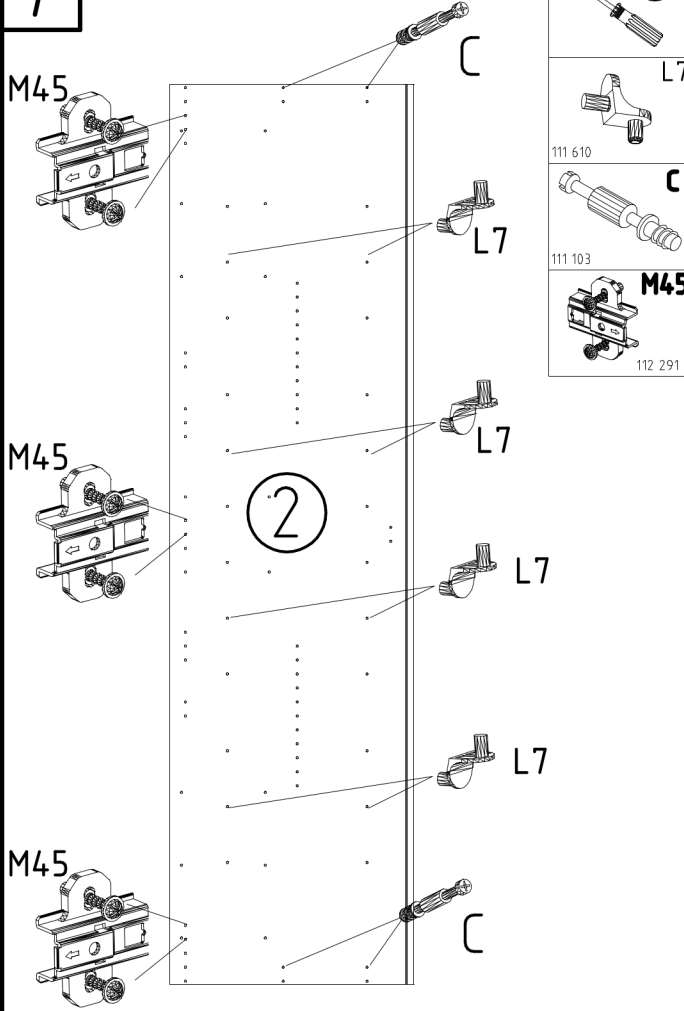
6



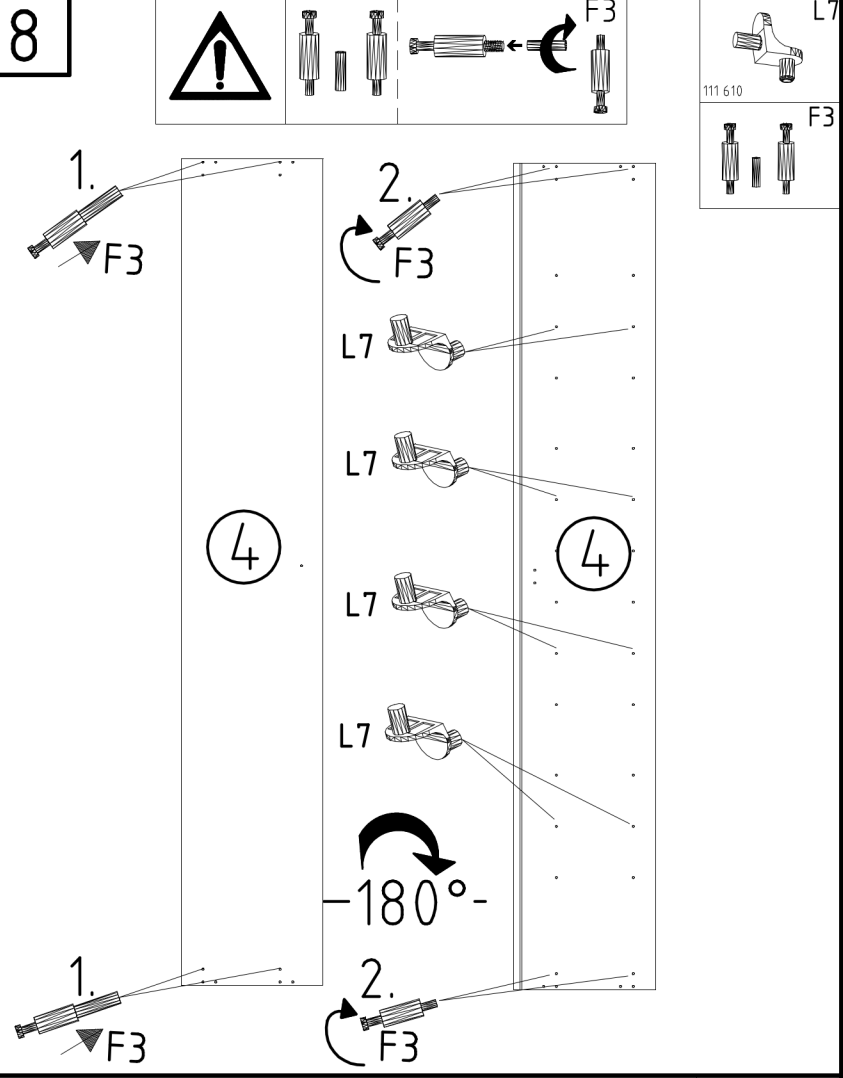
-  3,5 x 15 mm G1
-  121 370
-  L7
-  111 610
-  K1
-  117 001
-  A
-  111 102



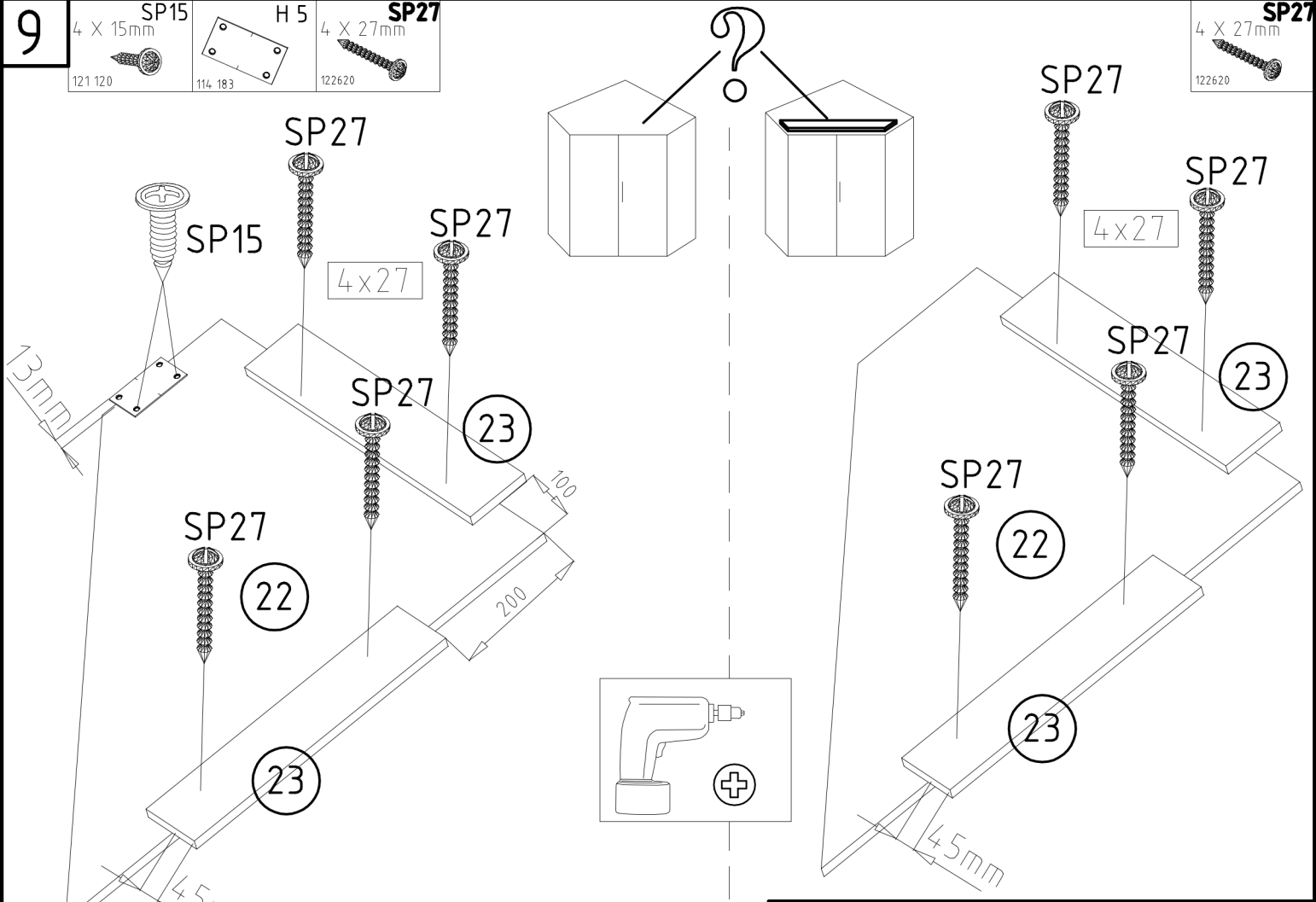
7



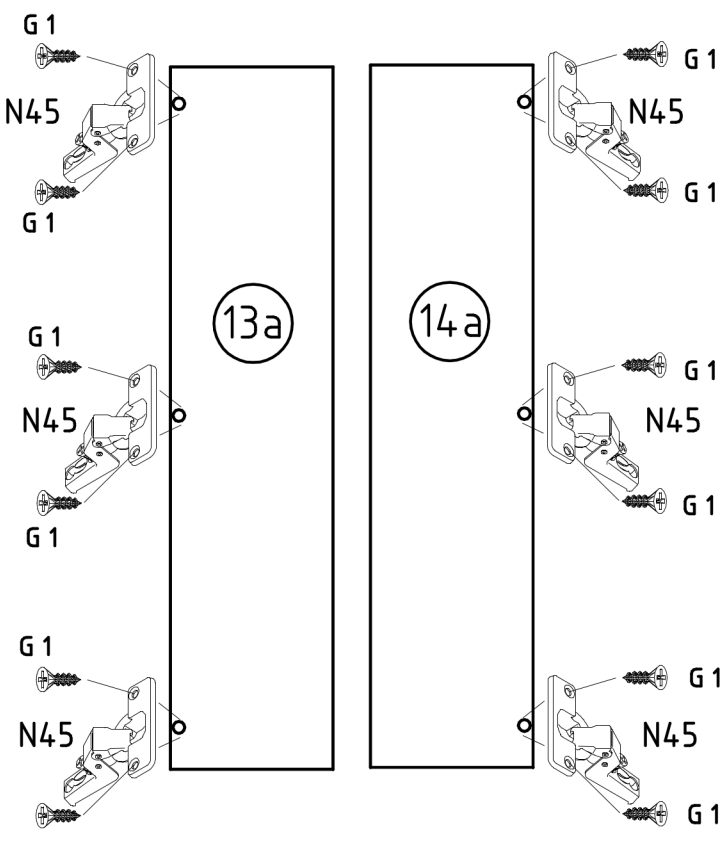
8



9

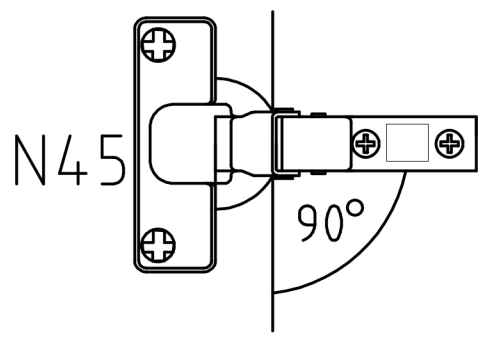


10



3,5 x 15 mm G1 N45  
112 290

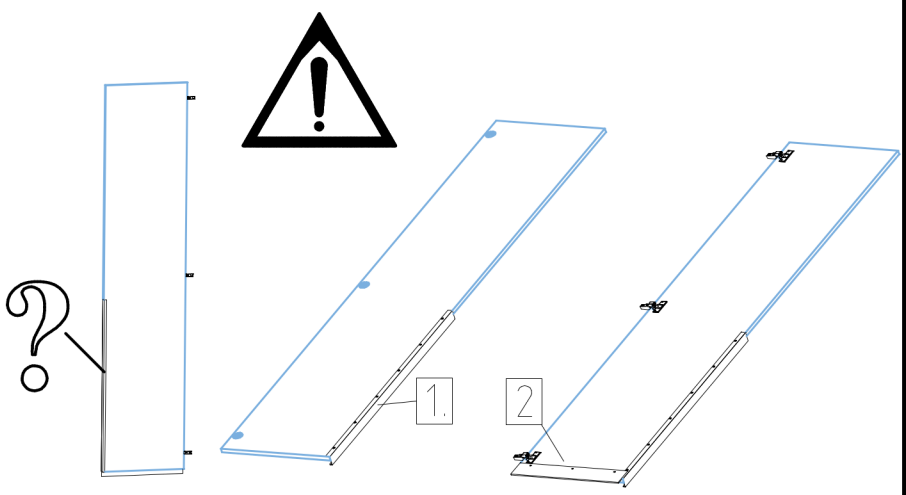
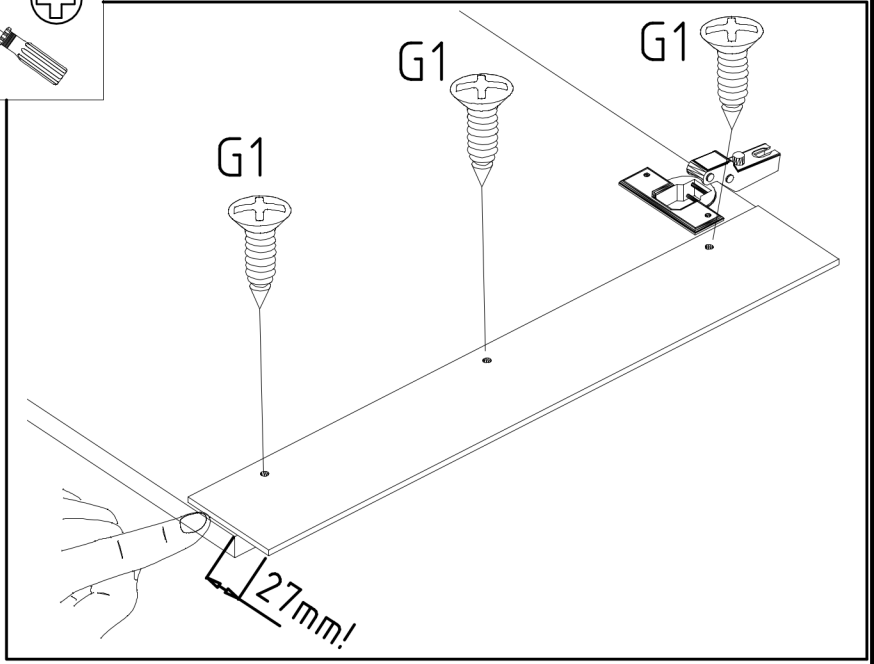
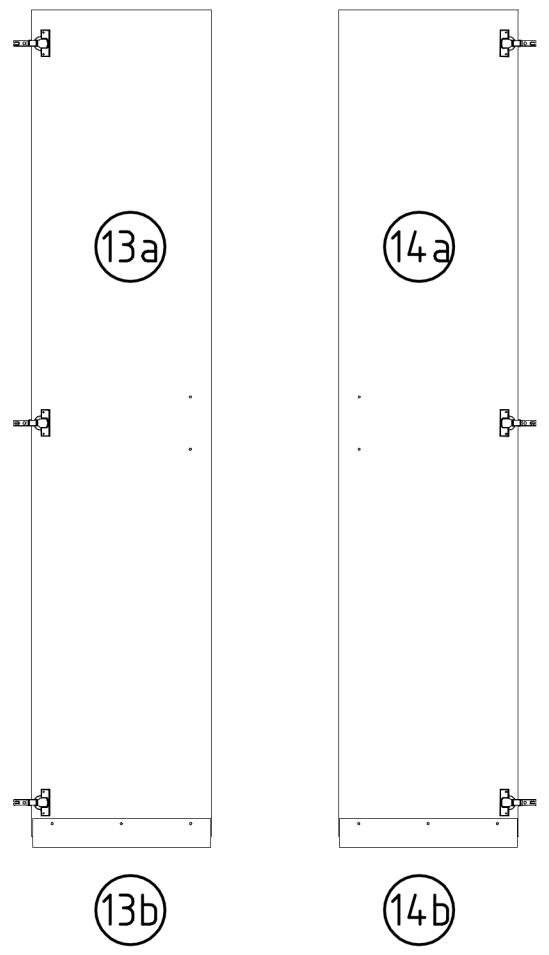
121 370



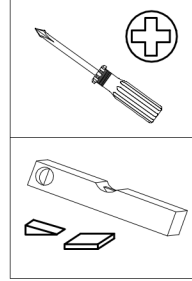
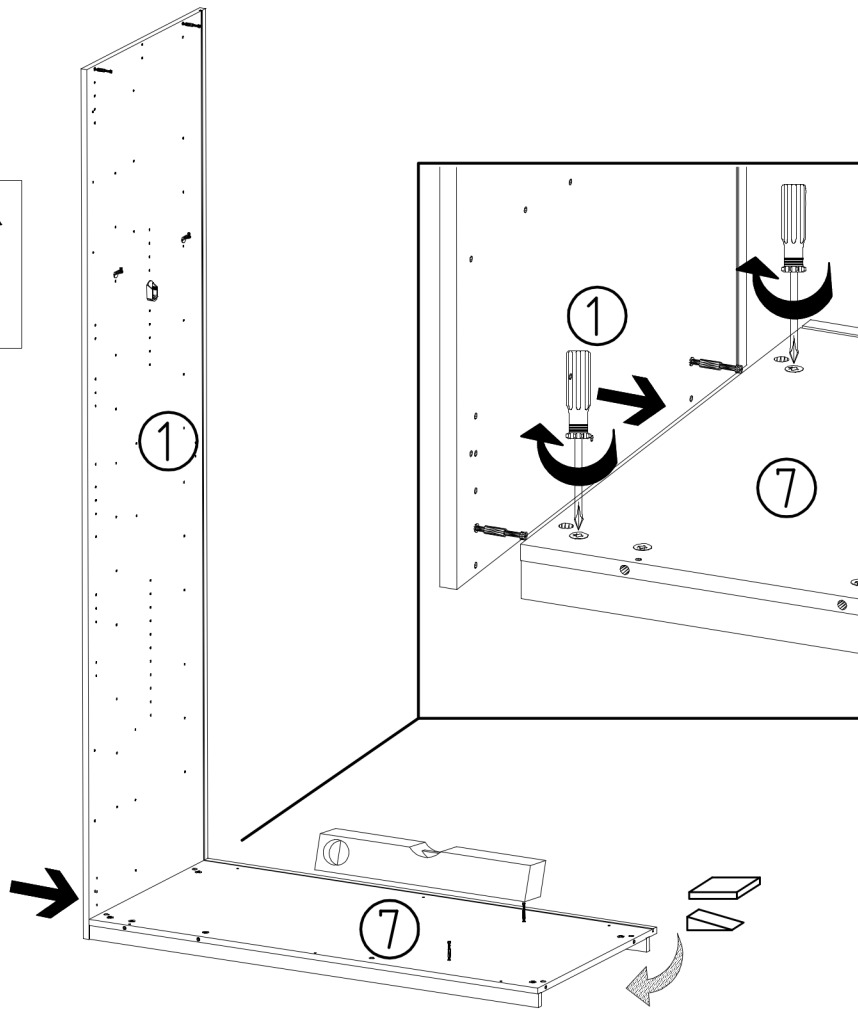
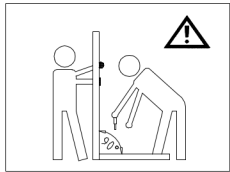
11

3,5 x 15 mm G1

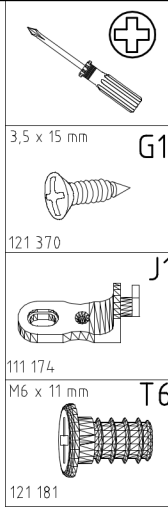
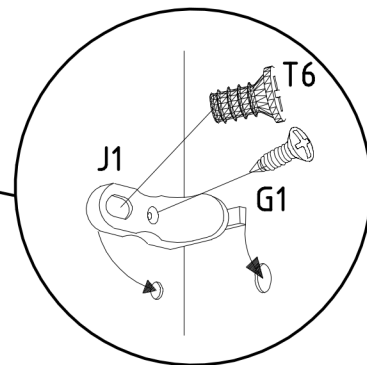
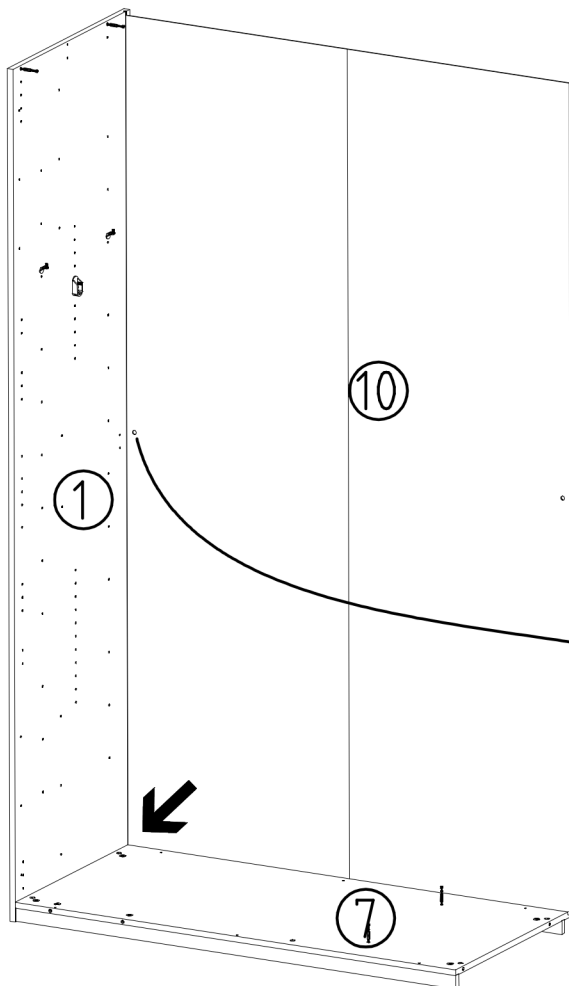
121 370



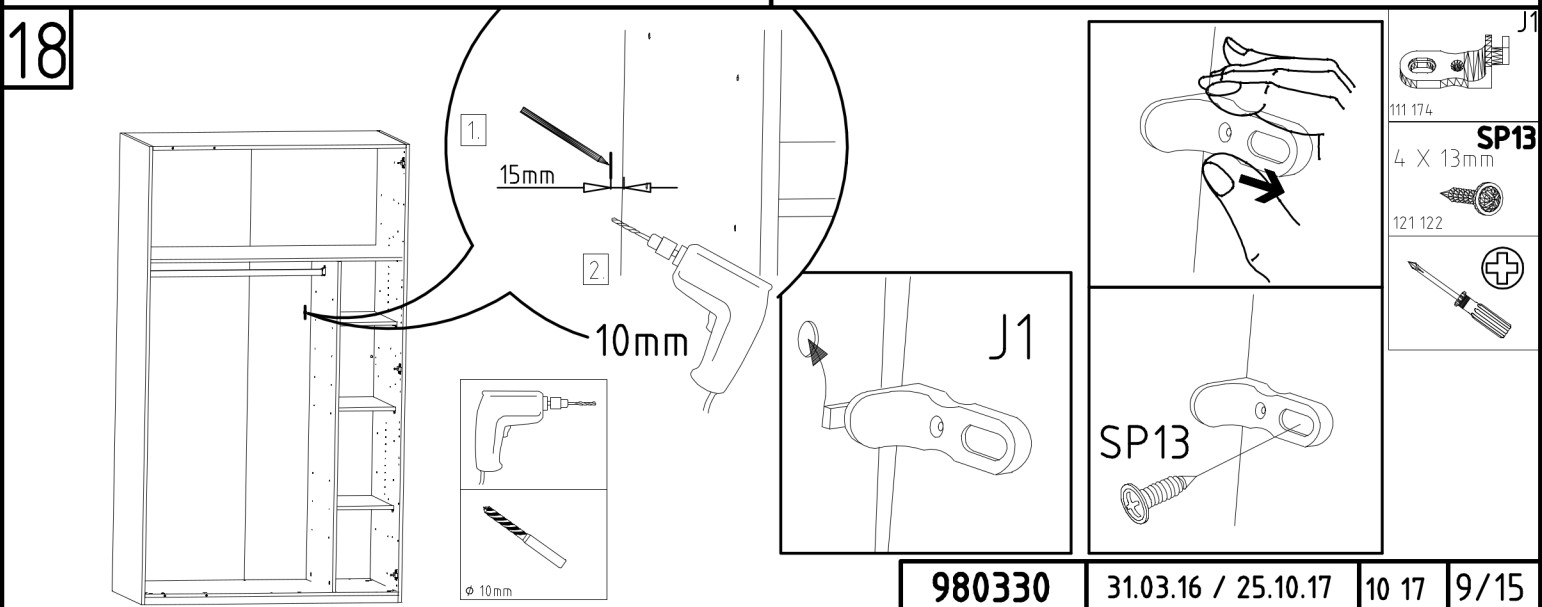
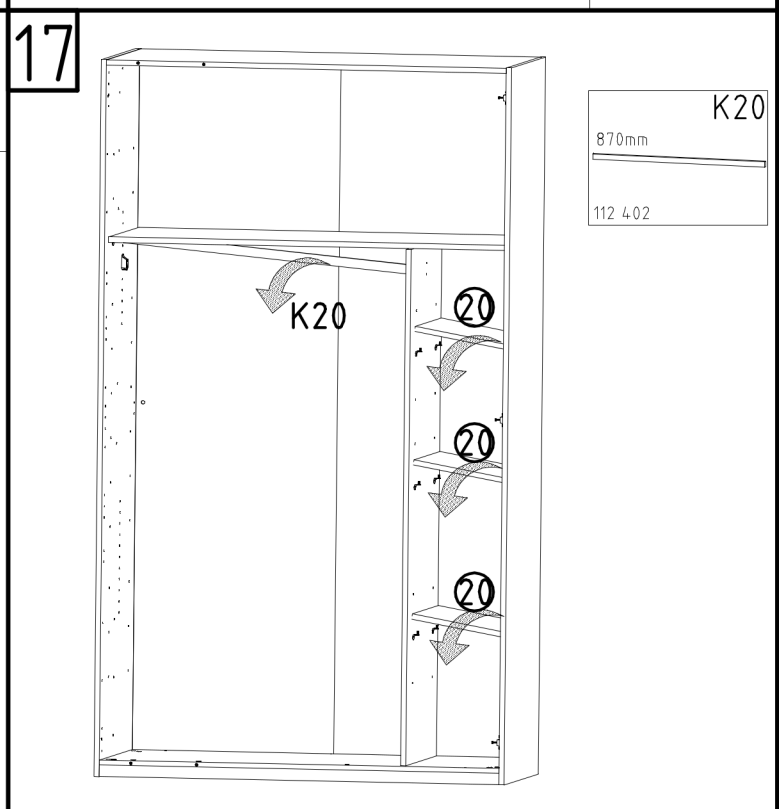
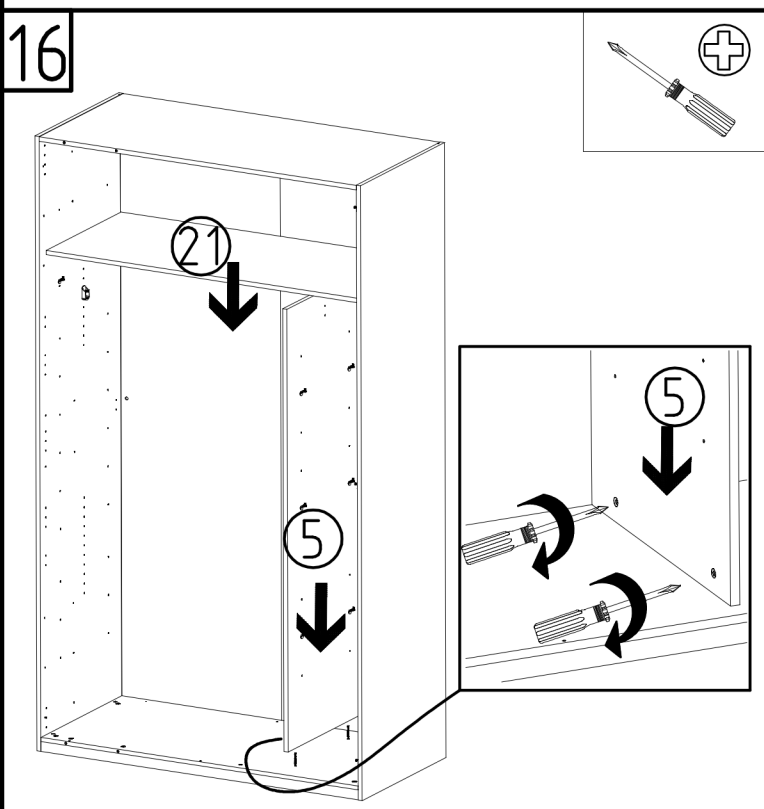
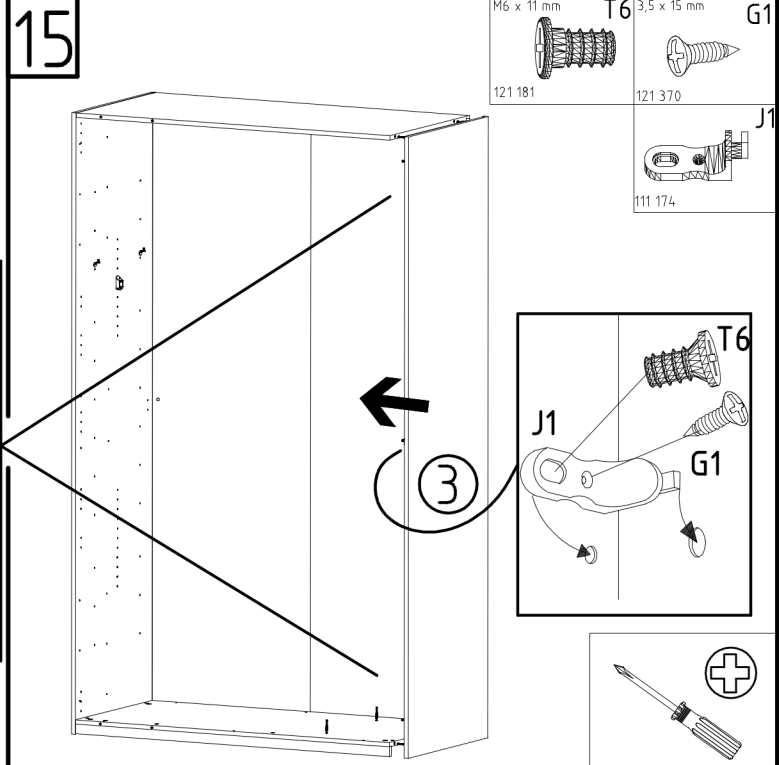
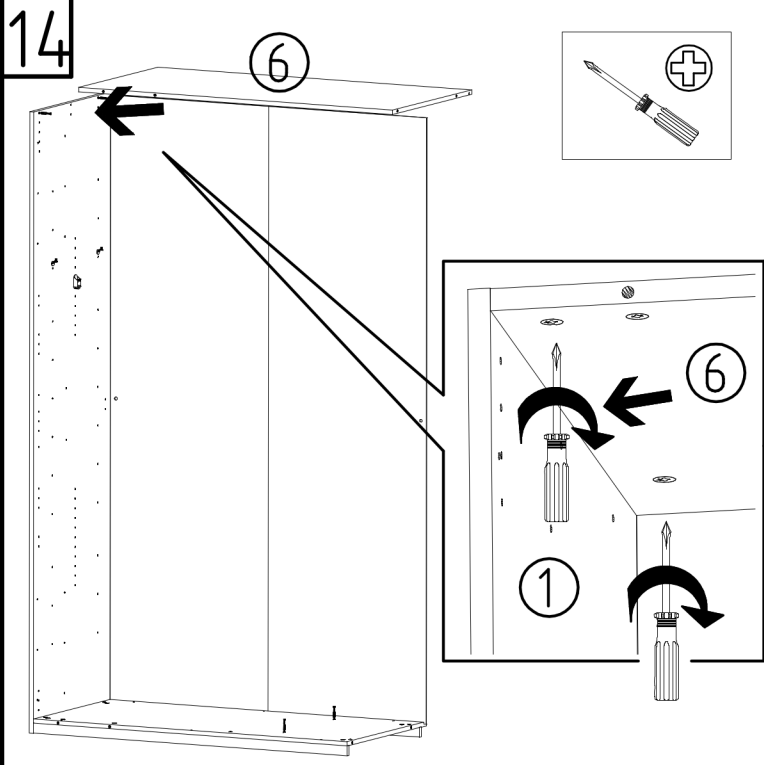
12



13

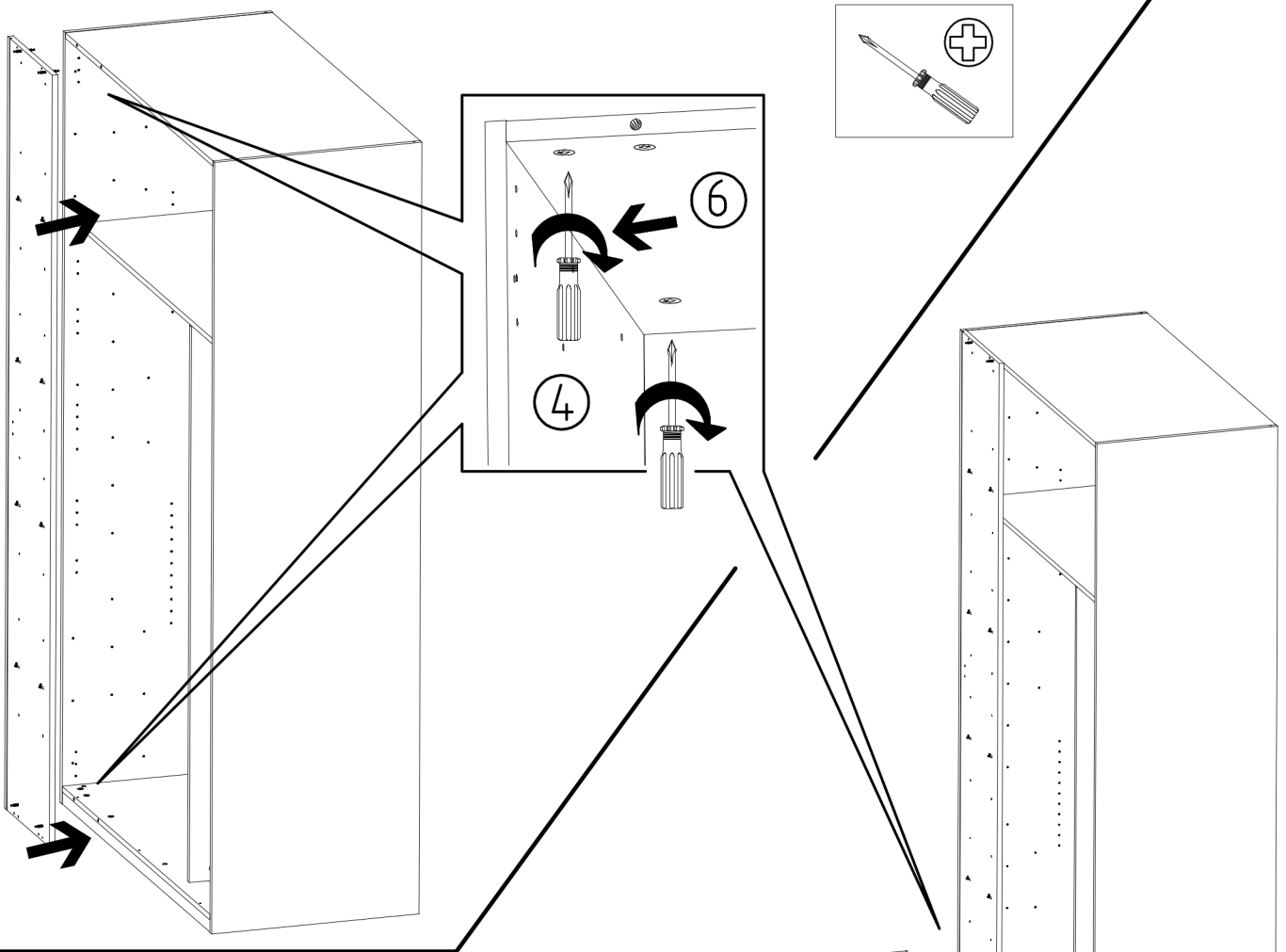






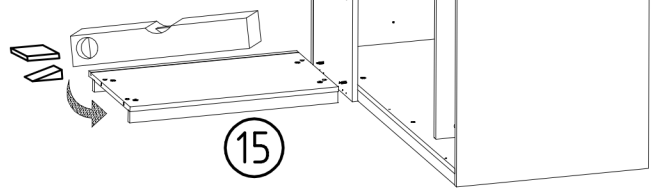
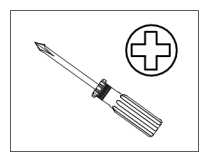
19

4



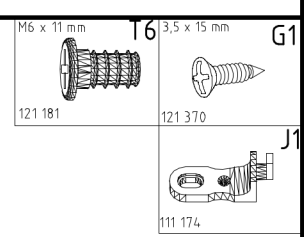
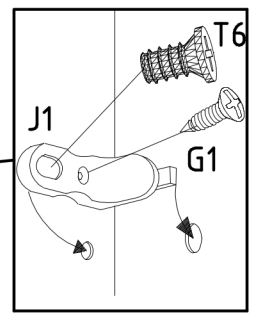
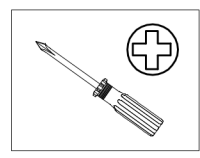
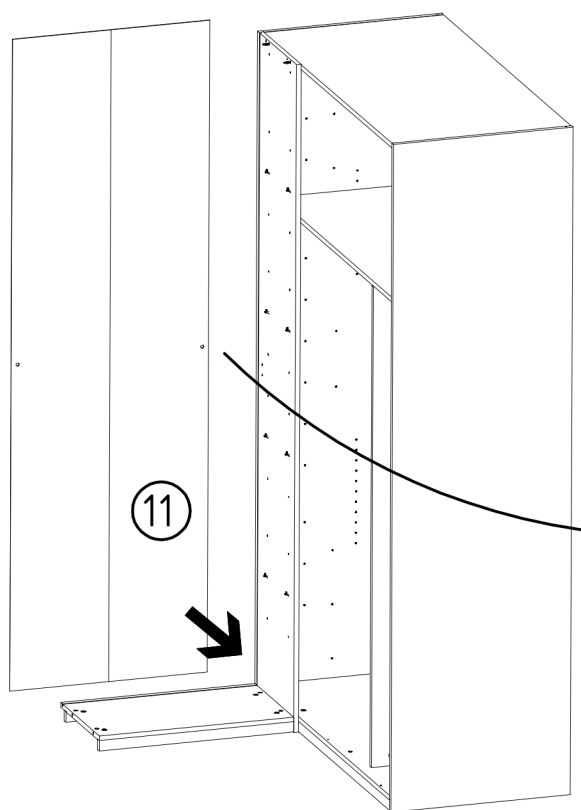
20

15



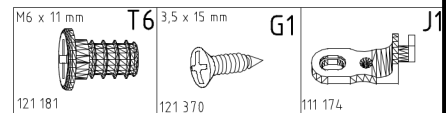
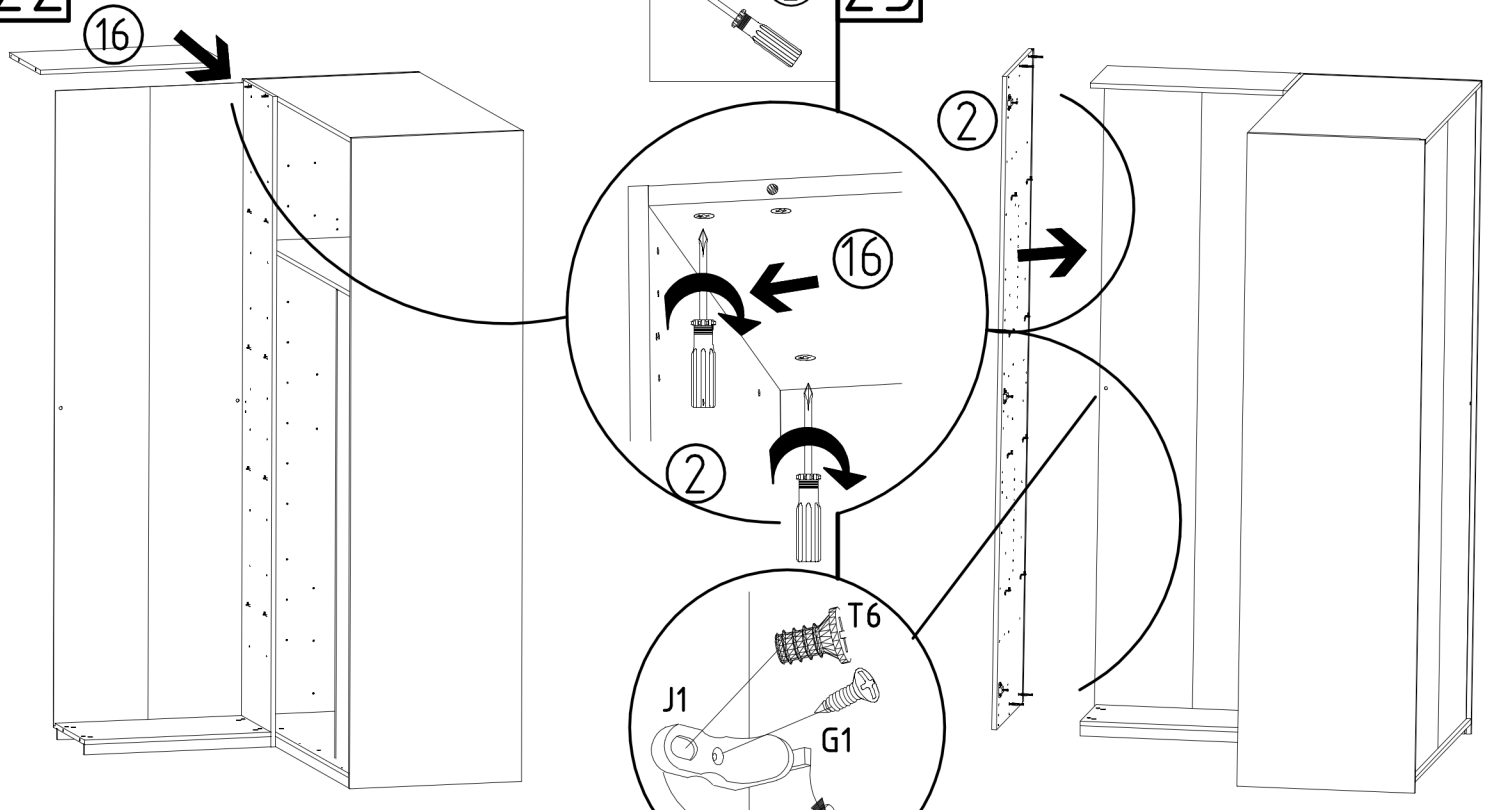
21

11



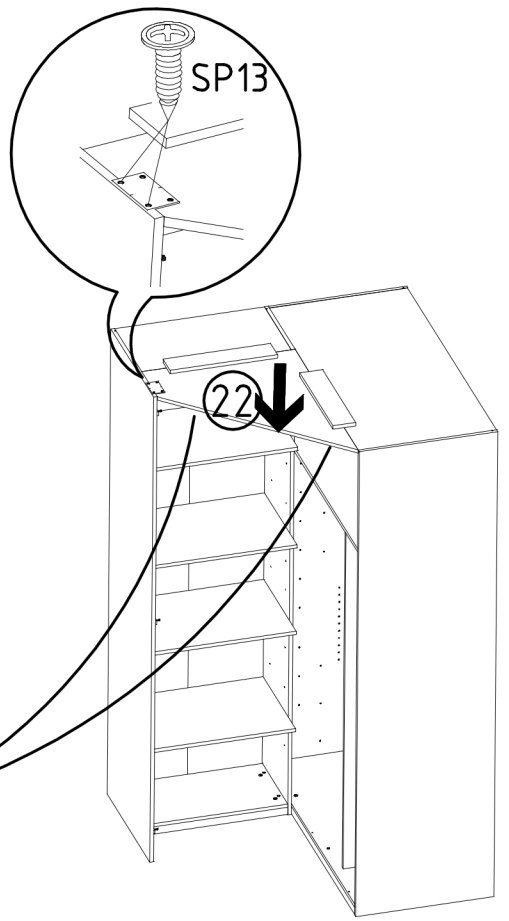
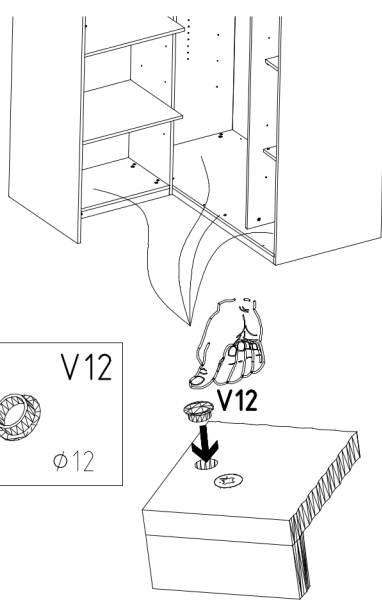
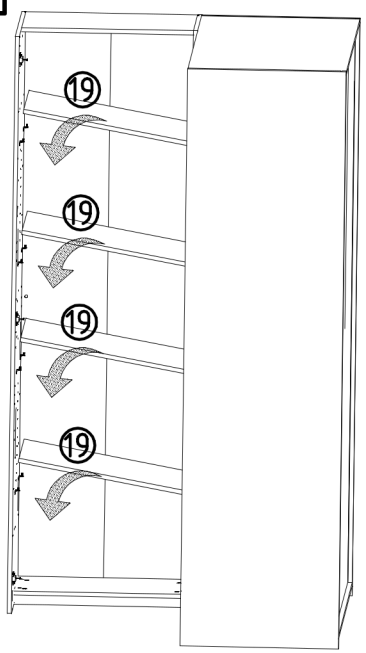
22

23

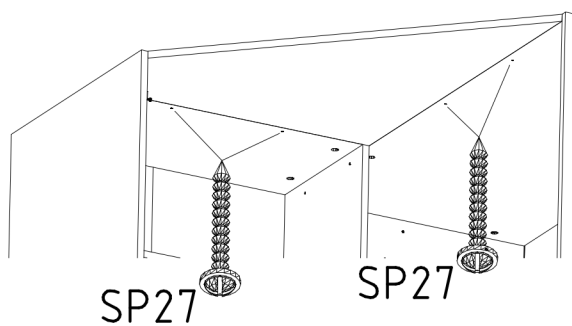
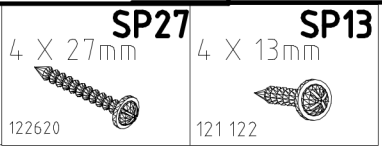


24

25



26

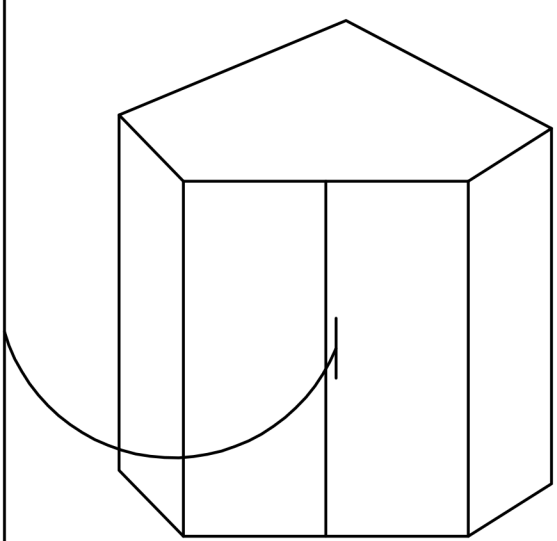
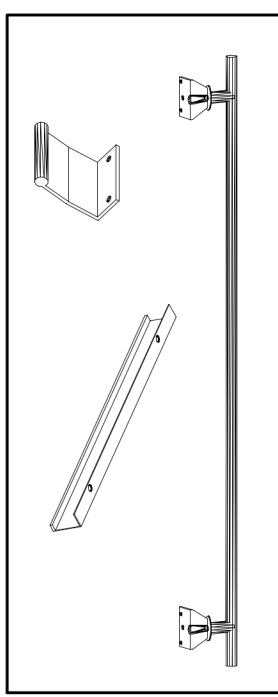
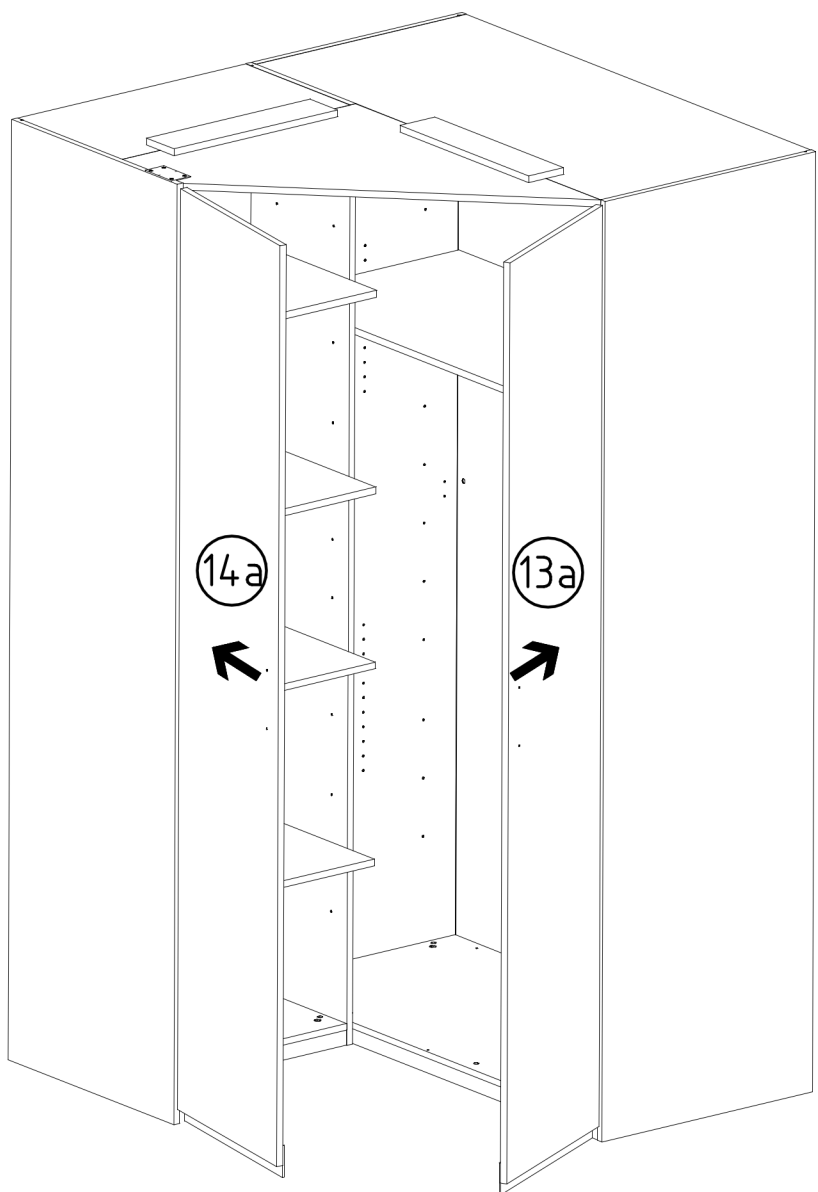
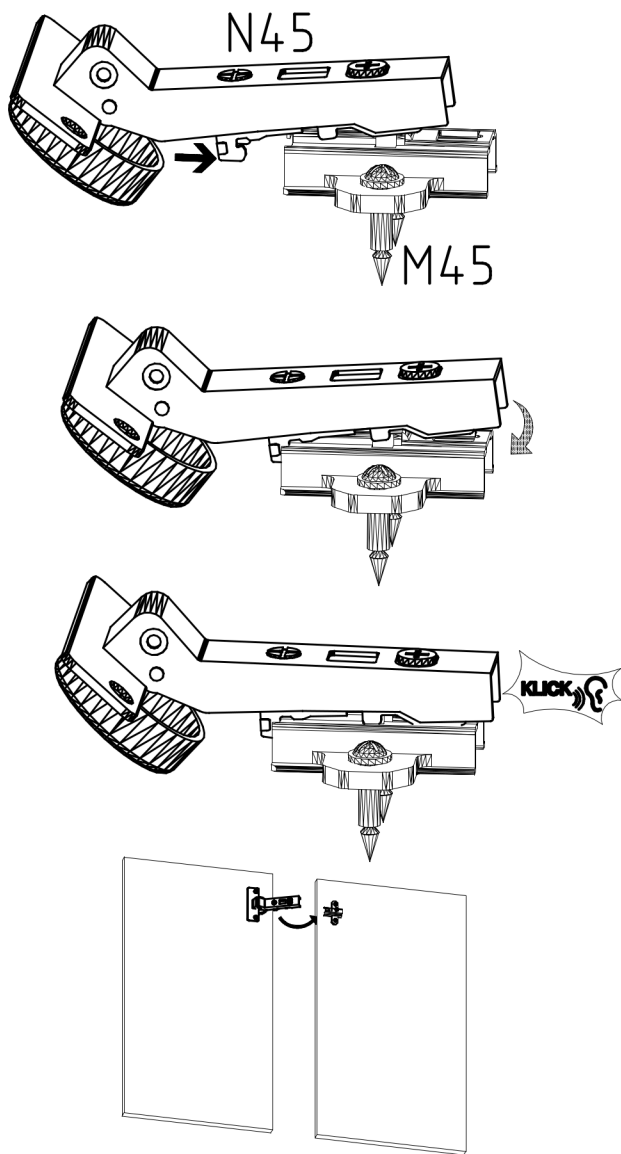


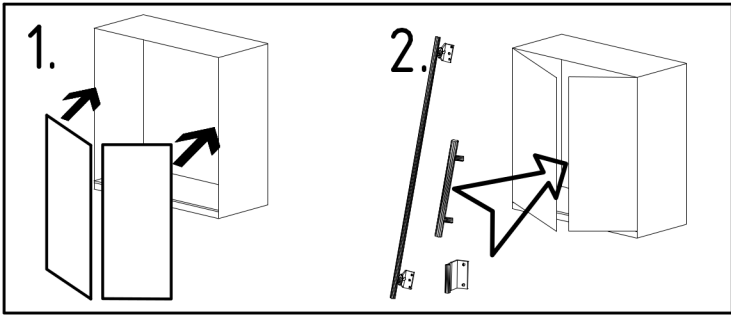
980330

31.03.16 / 25.10.17

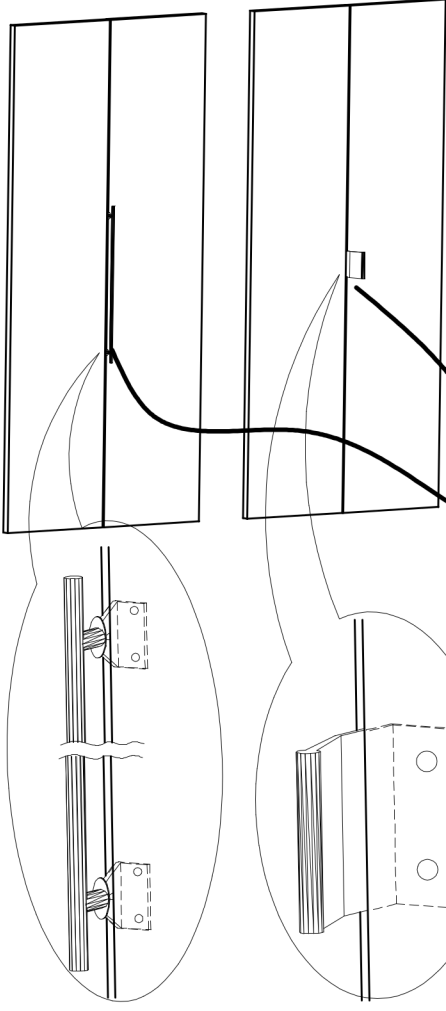
10 17

11/15

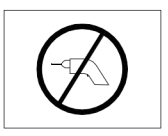
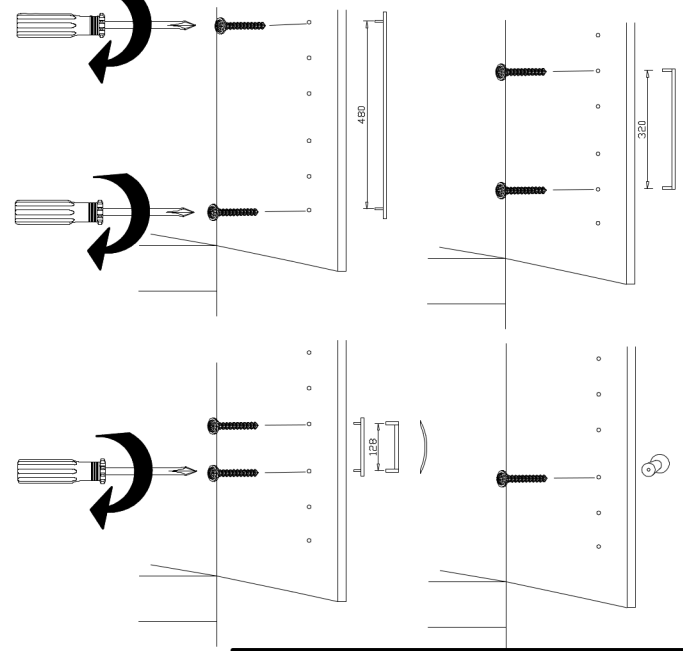
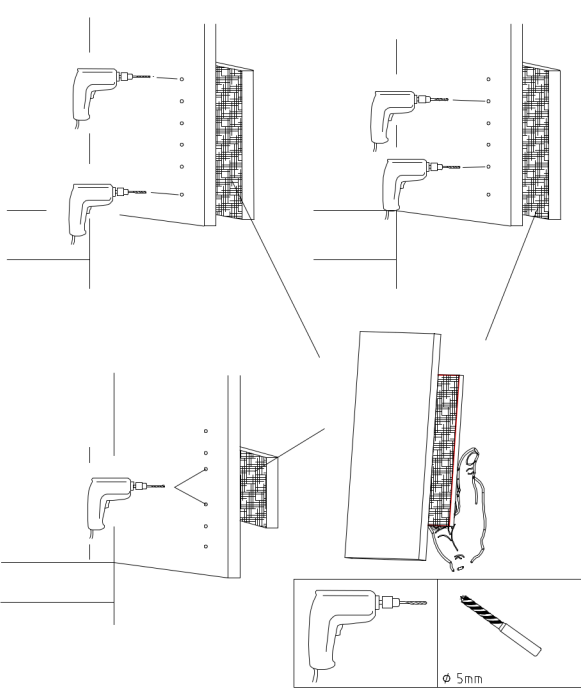
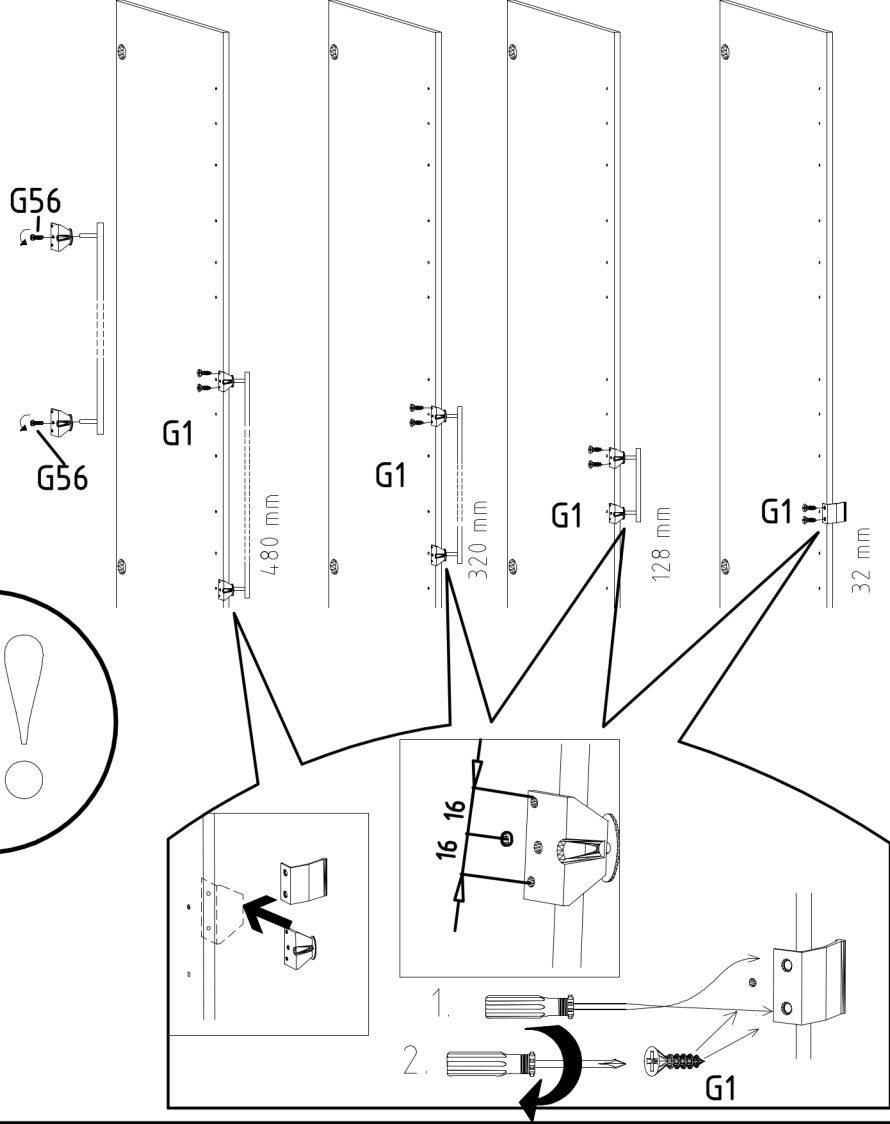




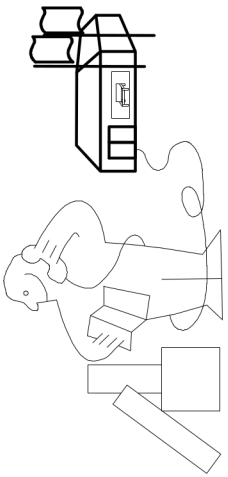
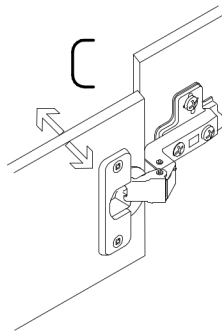
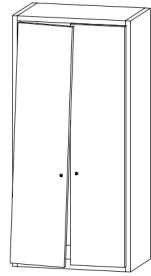
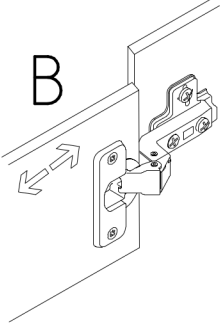
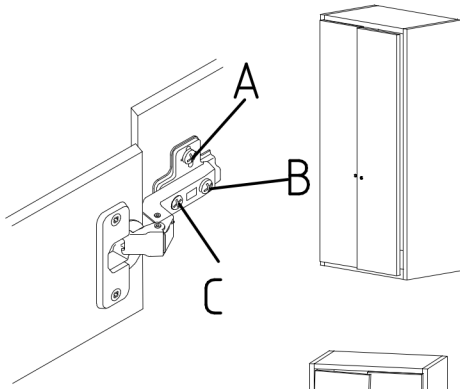
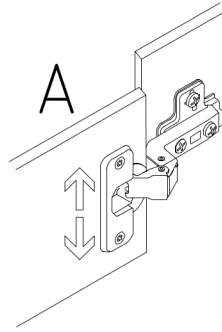
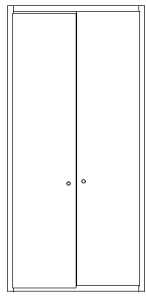
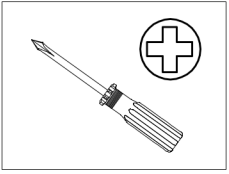
3,5 x 15 mm 121 370	G1	4,0 x 12 mm 122 625	G56
------------------------	----	------------------------	-----



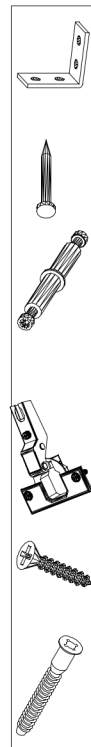
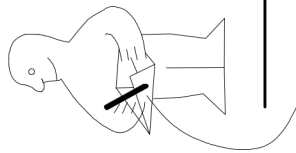
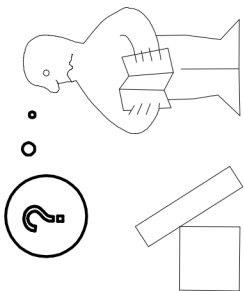
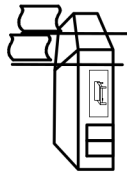
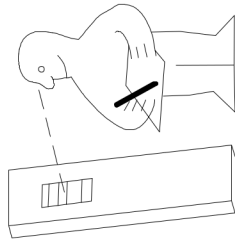
1x !



SP27 4 X 27mm 122620 4,0x22 122 609	G49
---	-----



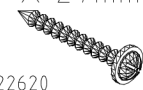
Modell/Model/Modèle



(121 370)	( G 1 )	(4x)

# ZB 980502

SP27  
4 X 27mm  
122620



10x

