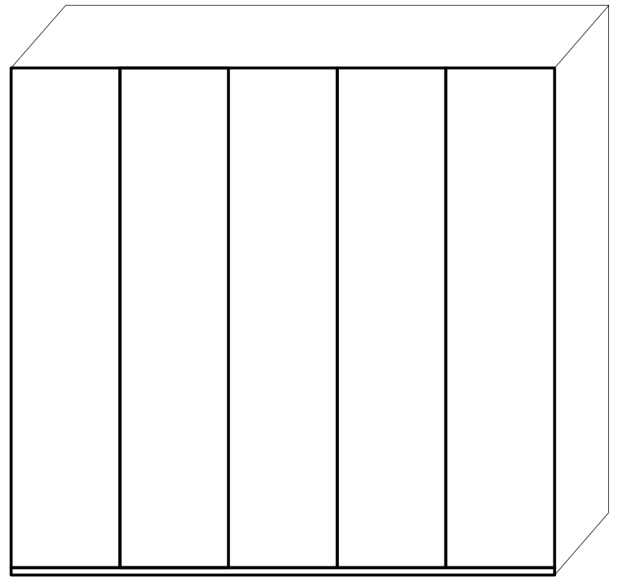
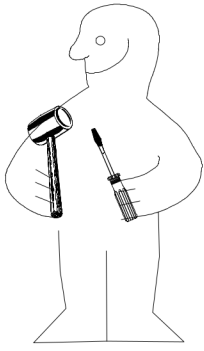
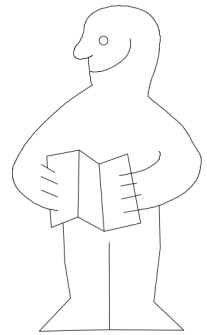
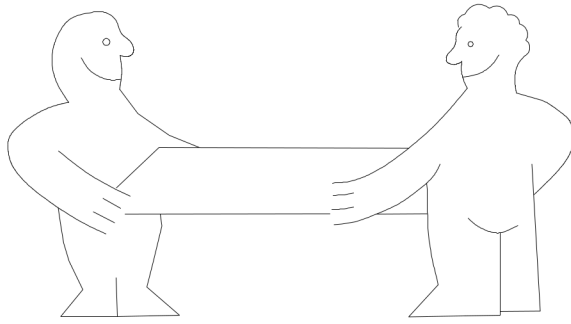
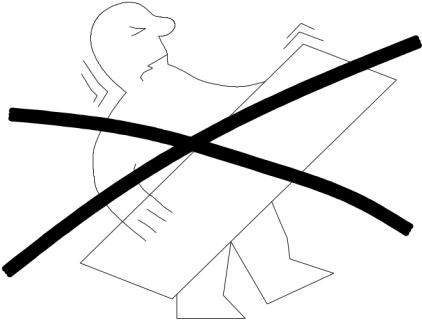


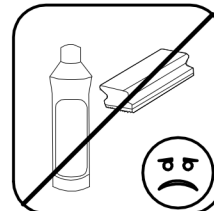
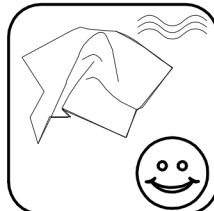
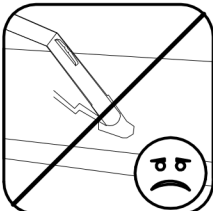
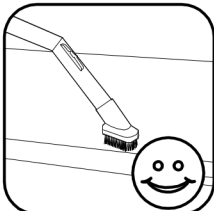
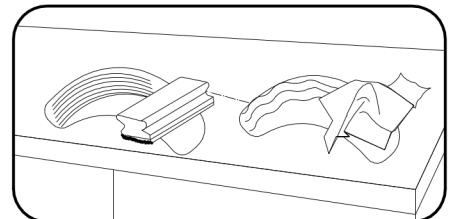
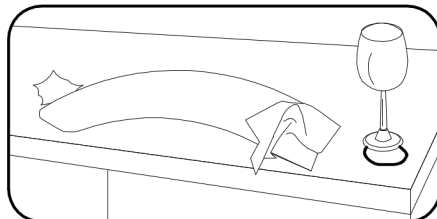
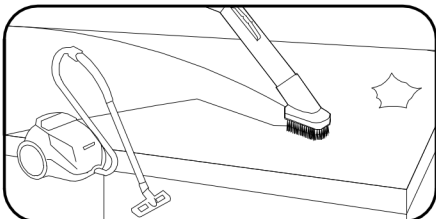
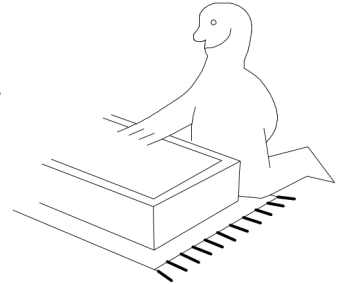
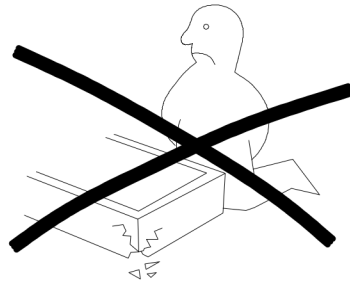
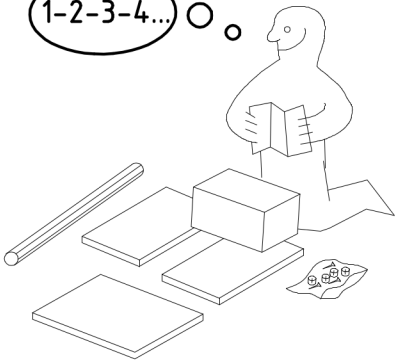
980345



NSP 225



1-2-3-4... ○ ○


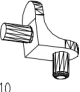
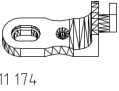


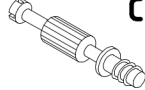
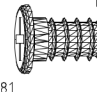
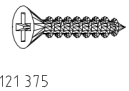
980345


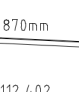

20.12.04 / 29.11.19


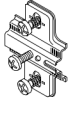
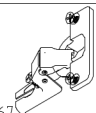
11 19

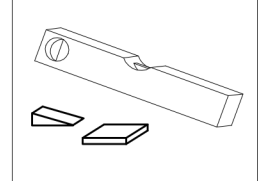
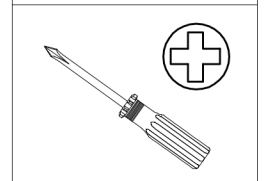
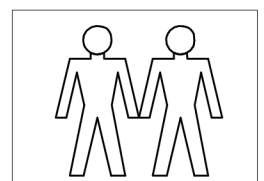
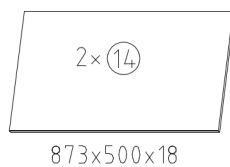
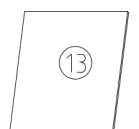
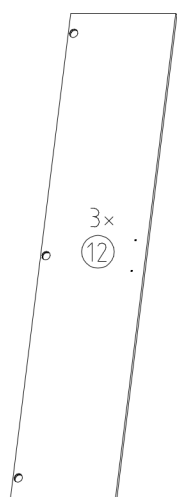
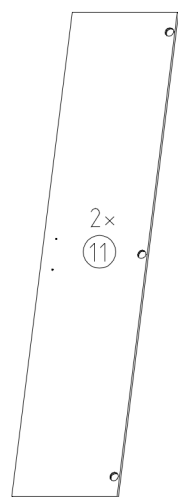
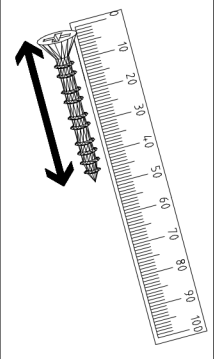
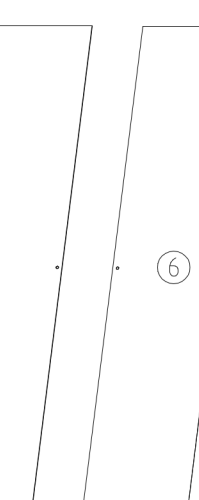
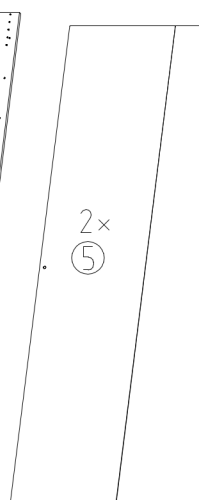
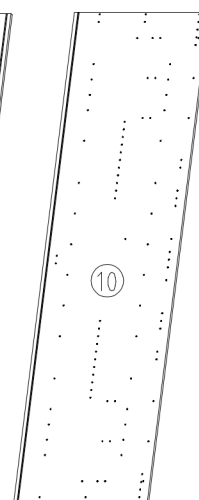
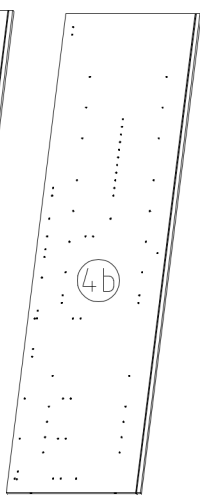
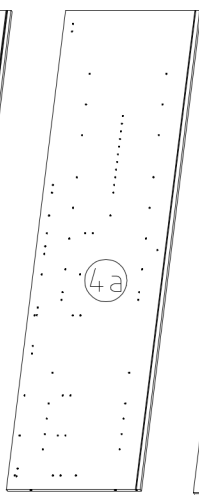
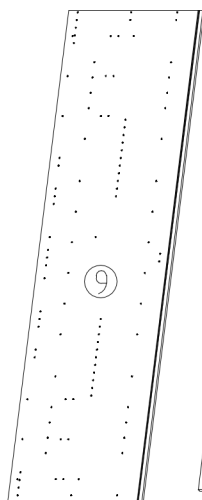
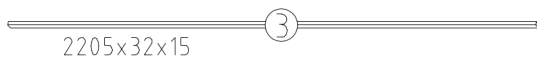
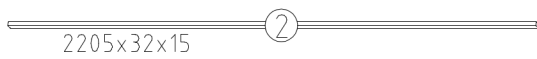
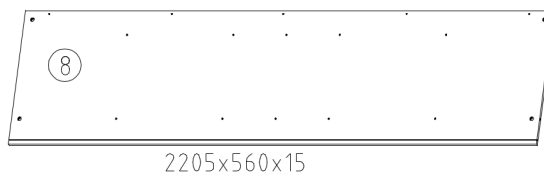
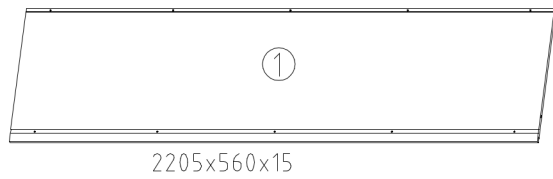
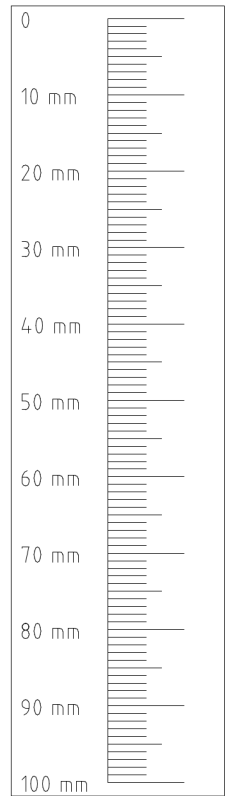
1/9

	<b>A</b>	16x
	<b>L7</b>	12x
	<b>J1</b>	6x

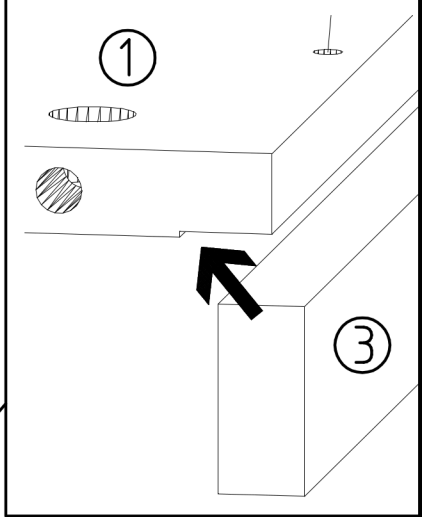
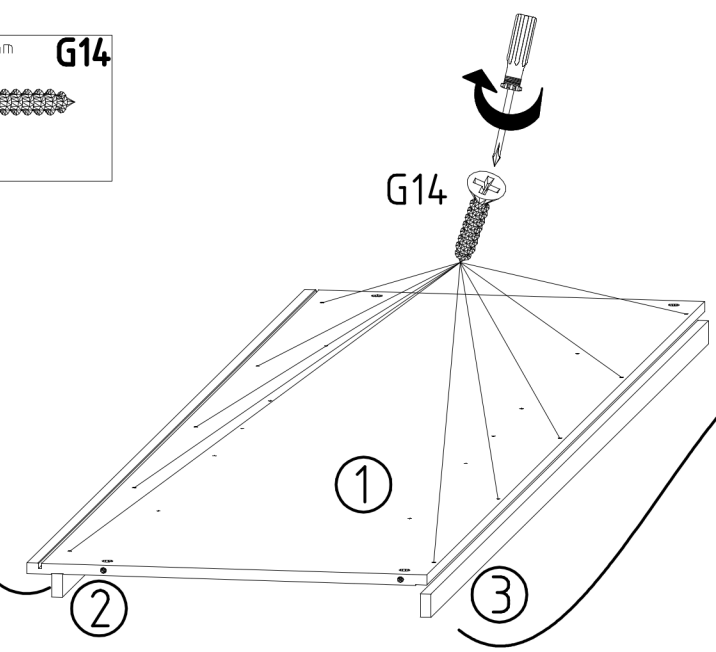
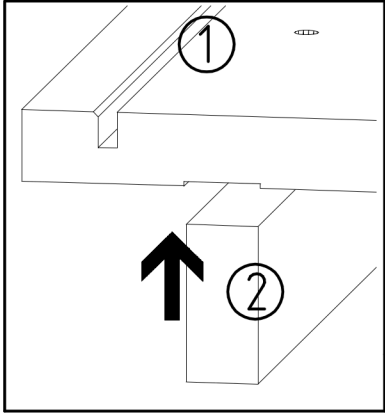
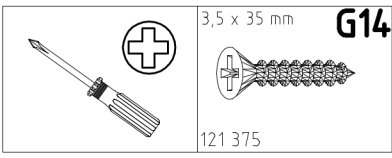
	<b>C</b>	16x
	<b>T6</b>	6x
	<b>G14</b>	12x

	<b>K21</b>	1x
	<b>K20</b>	2x
	<b>G1</b>	12x

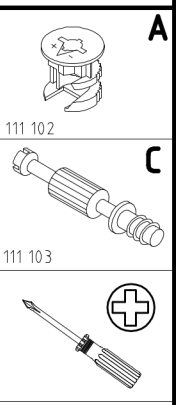
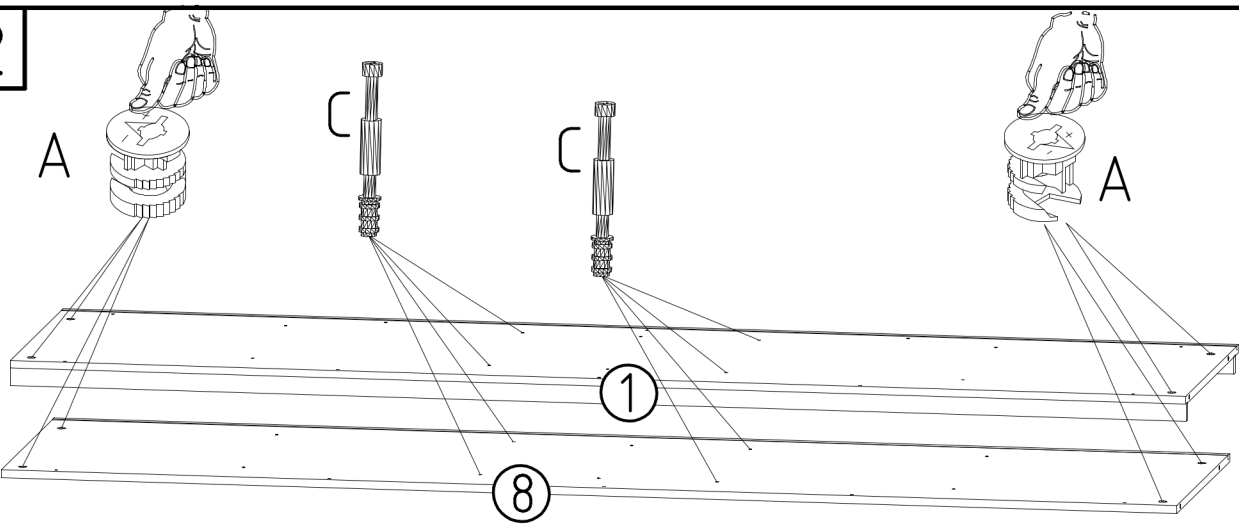
	<b>K1</b>	6x
	<b>M</b>	15x
	<b>N</b>	15x



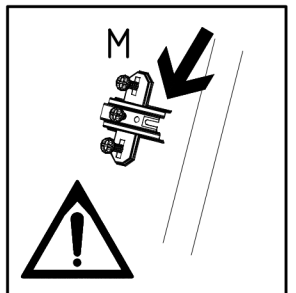
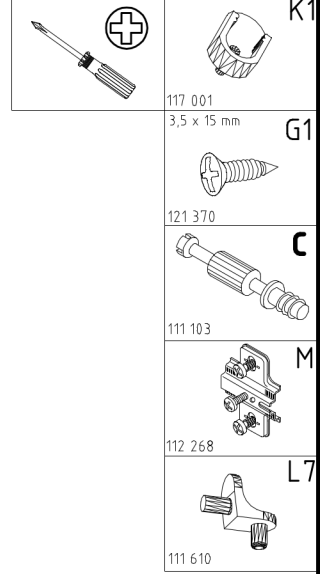
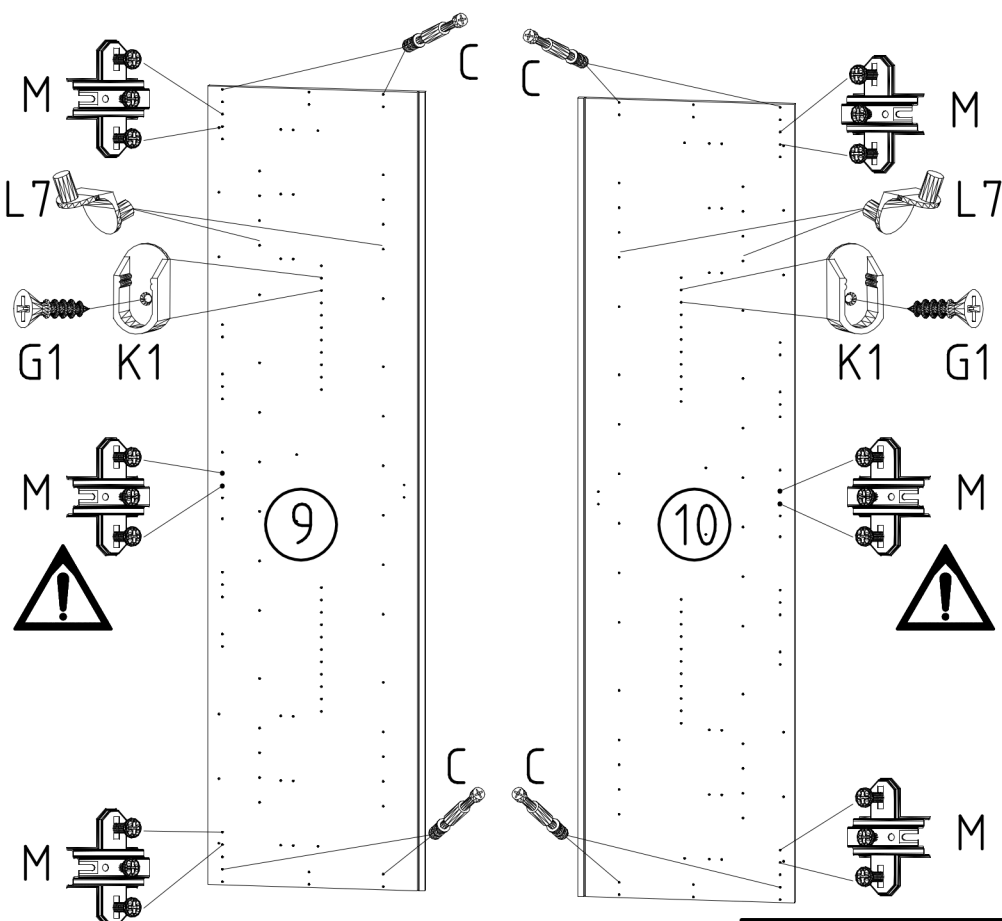
1



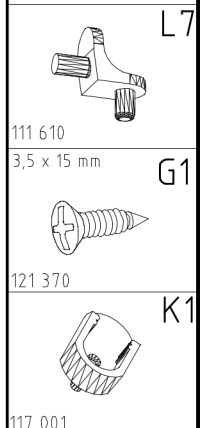
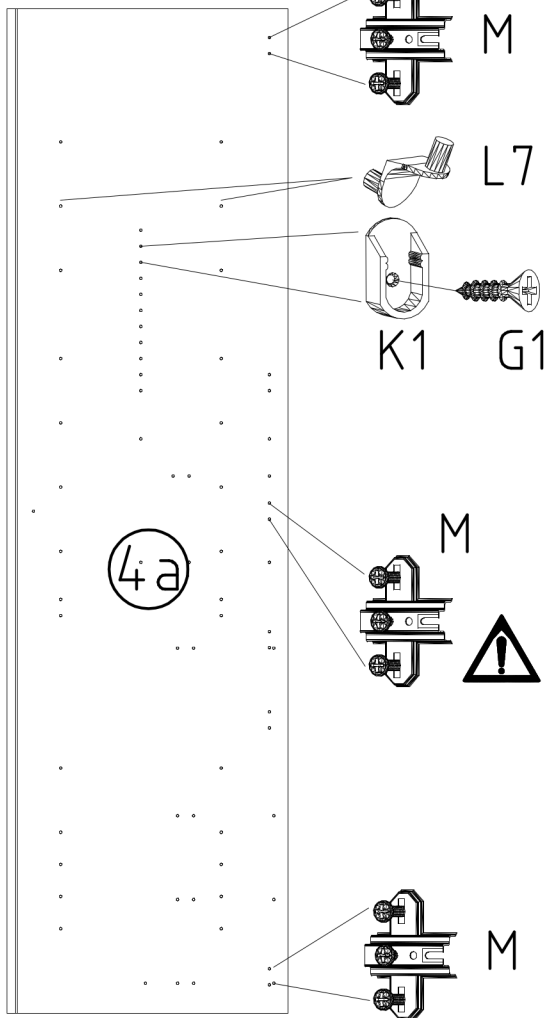
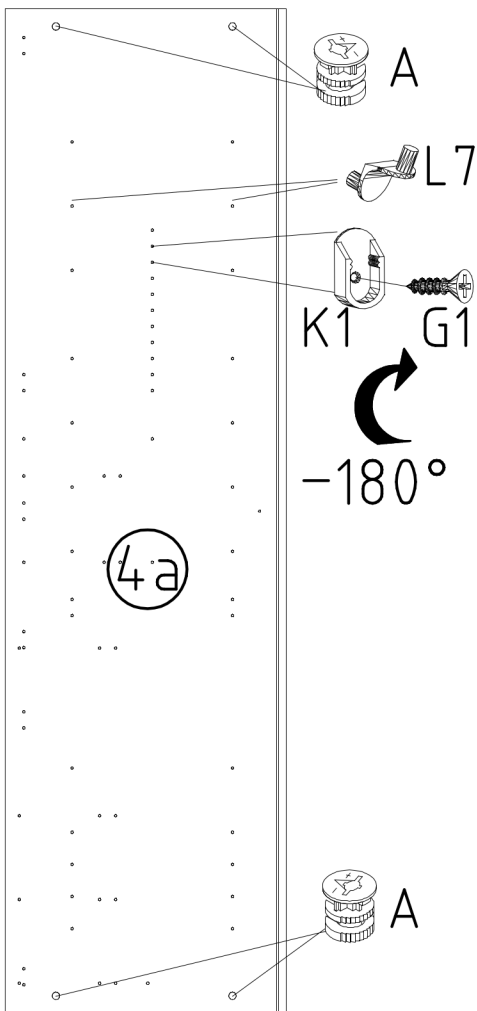
2



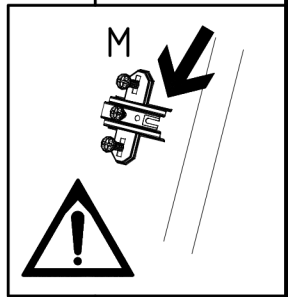
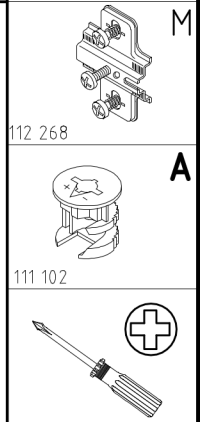
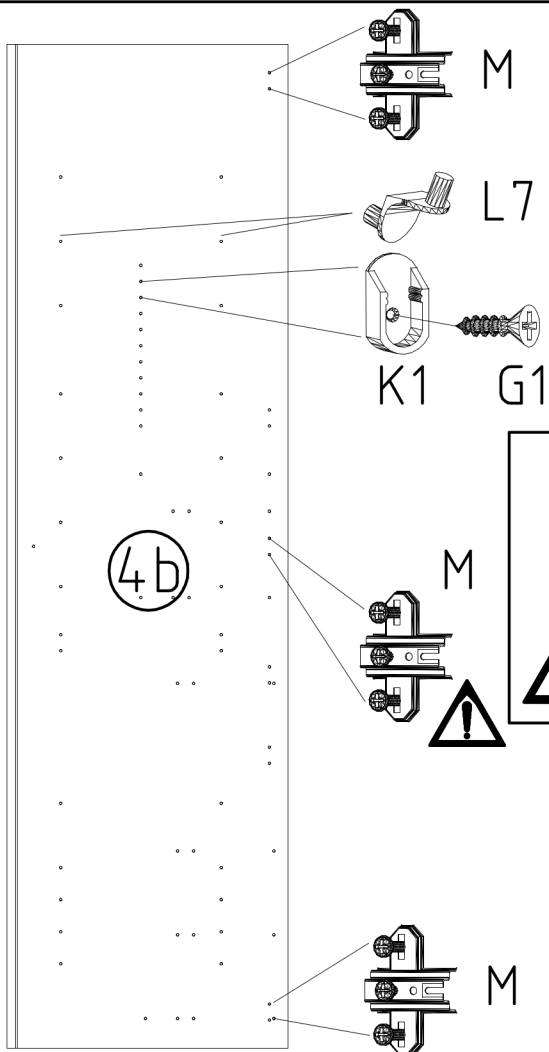
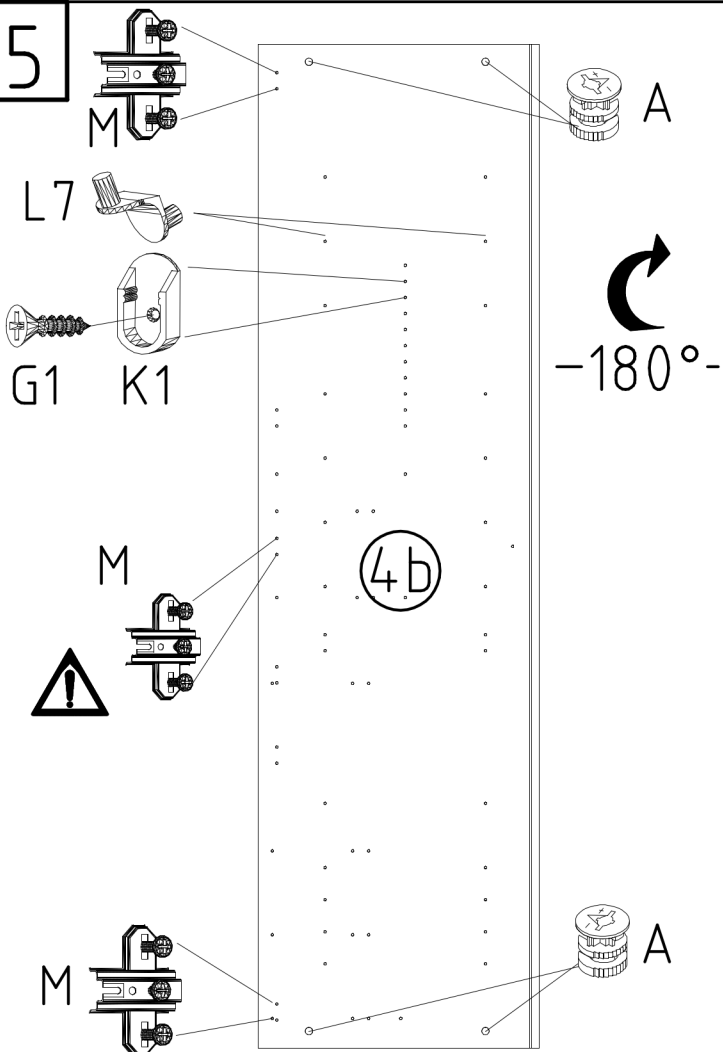
3

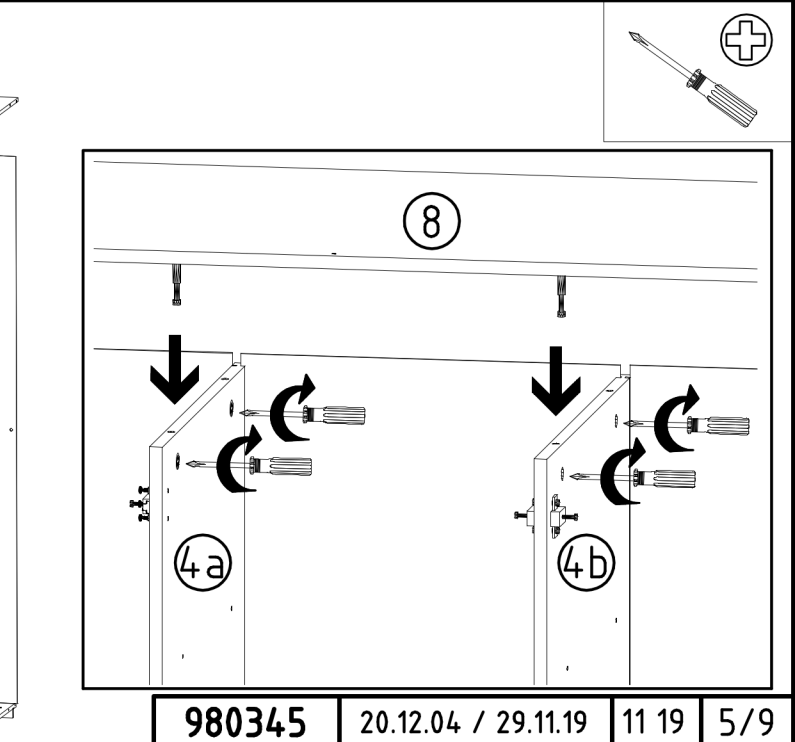
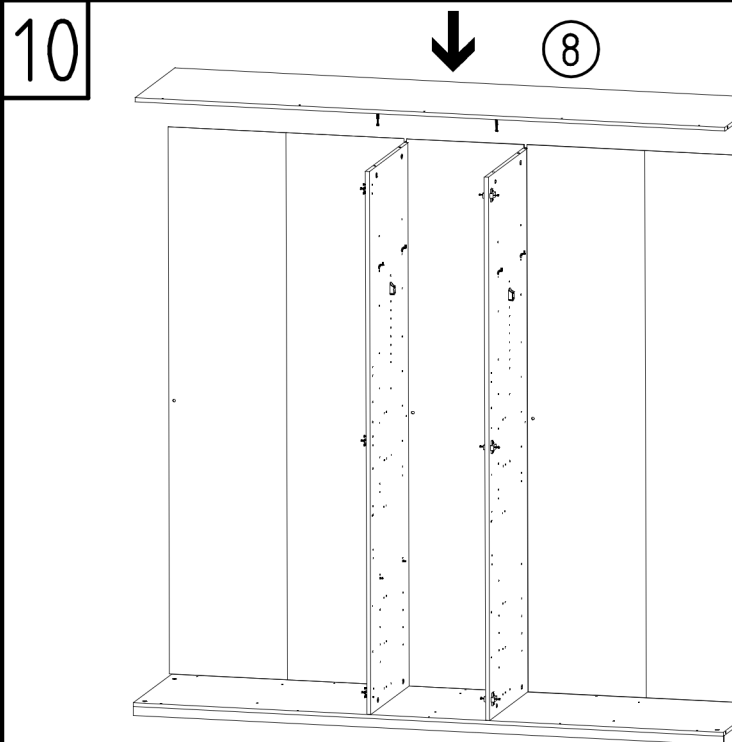
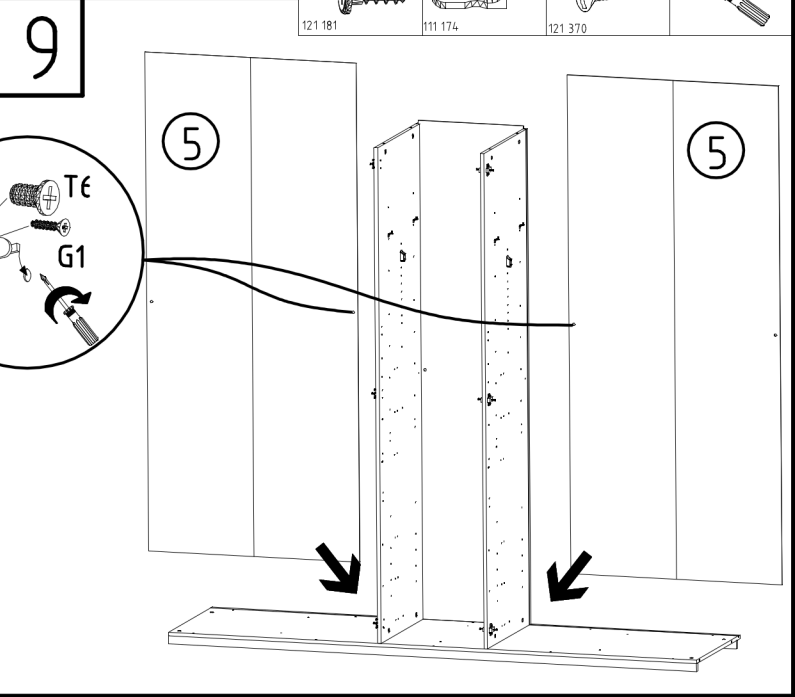
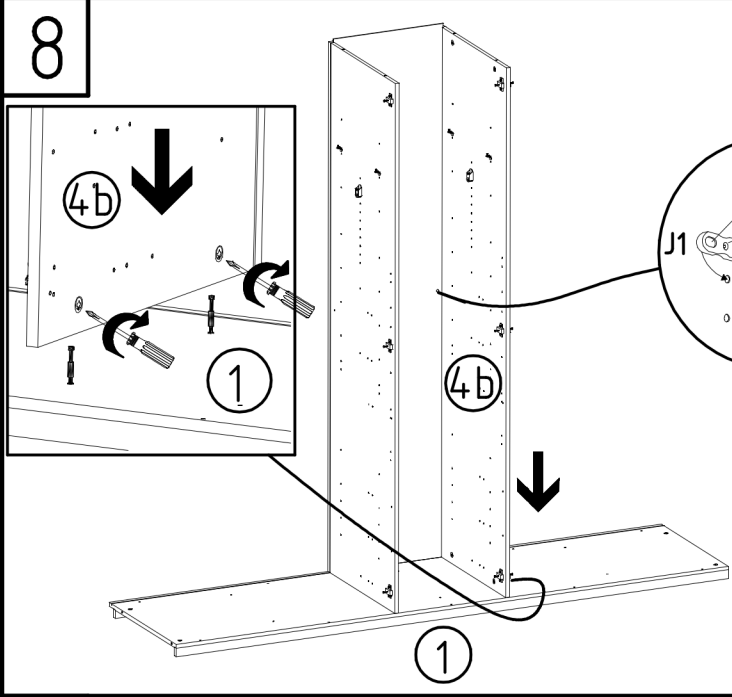
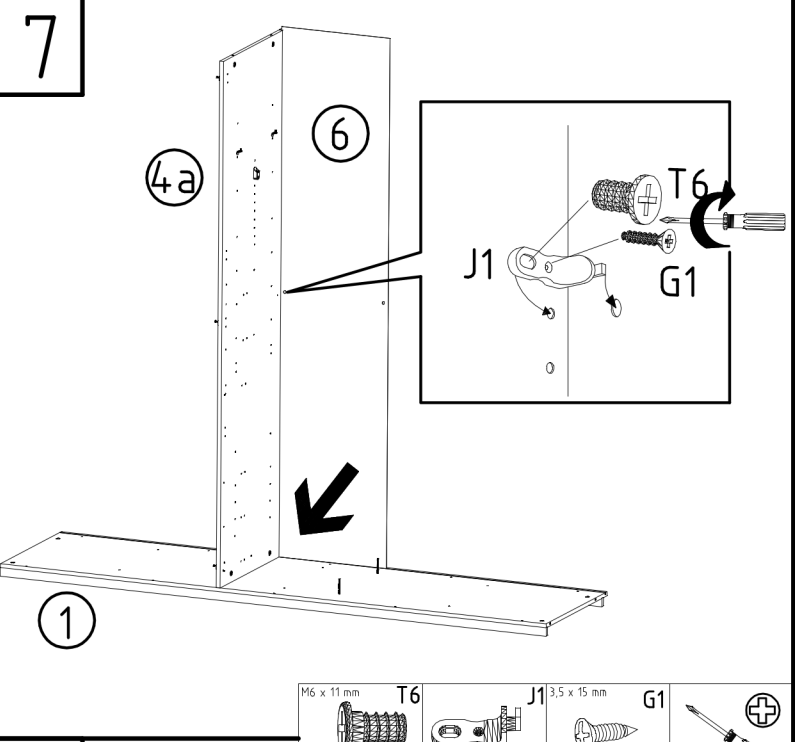
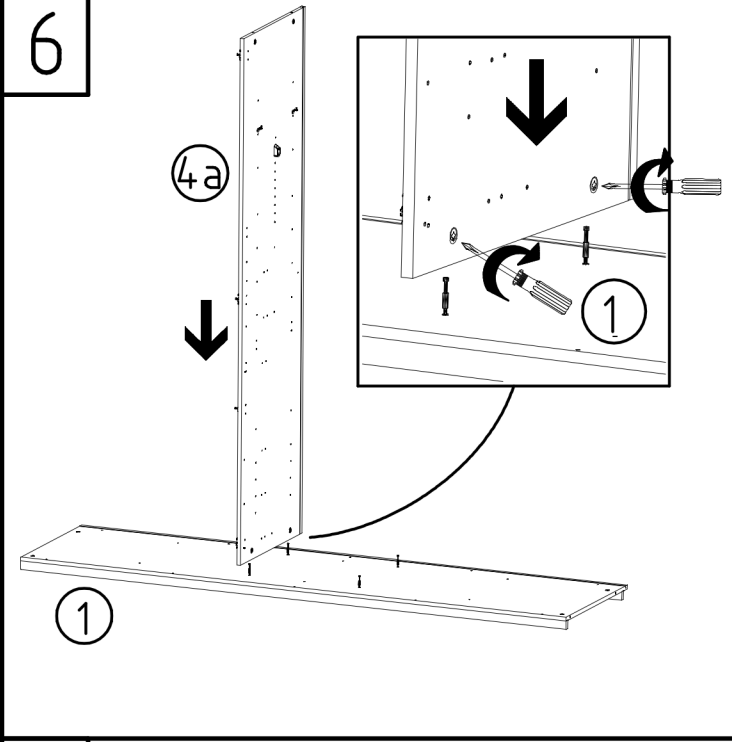


4

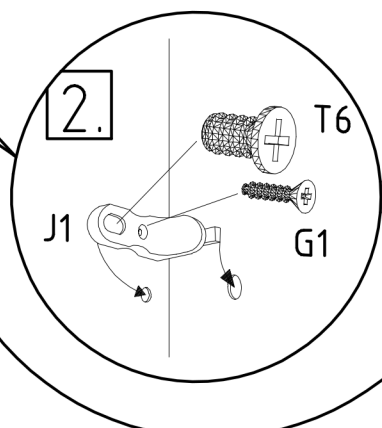
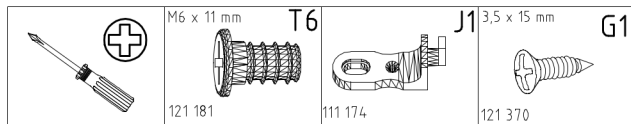
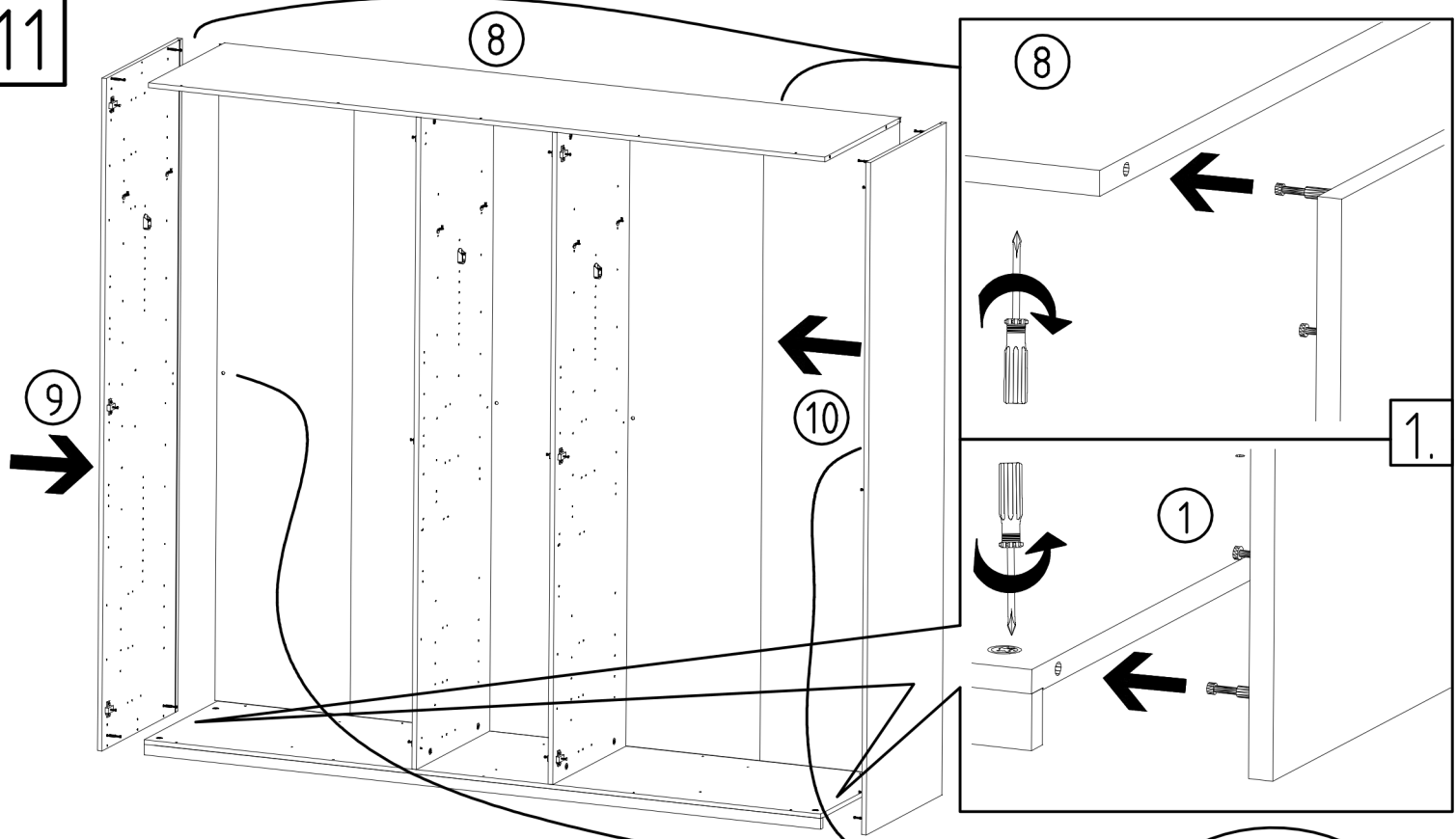


5

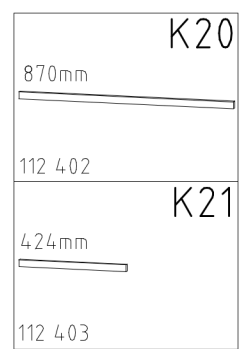
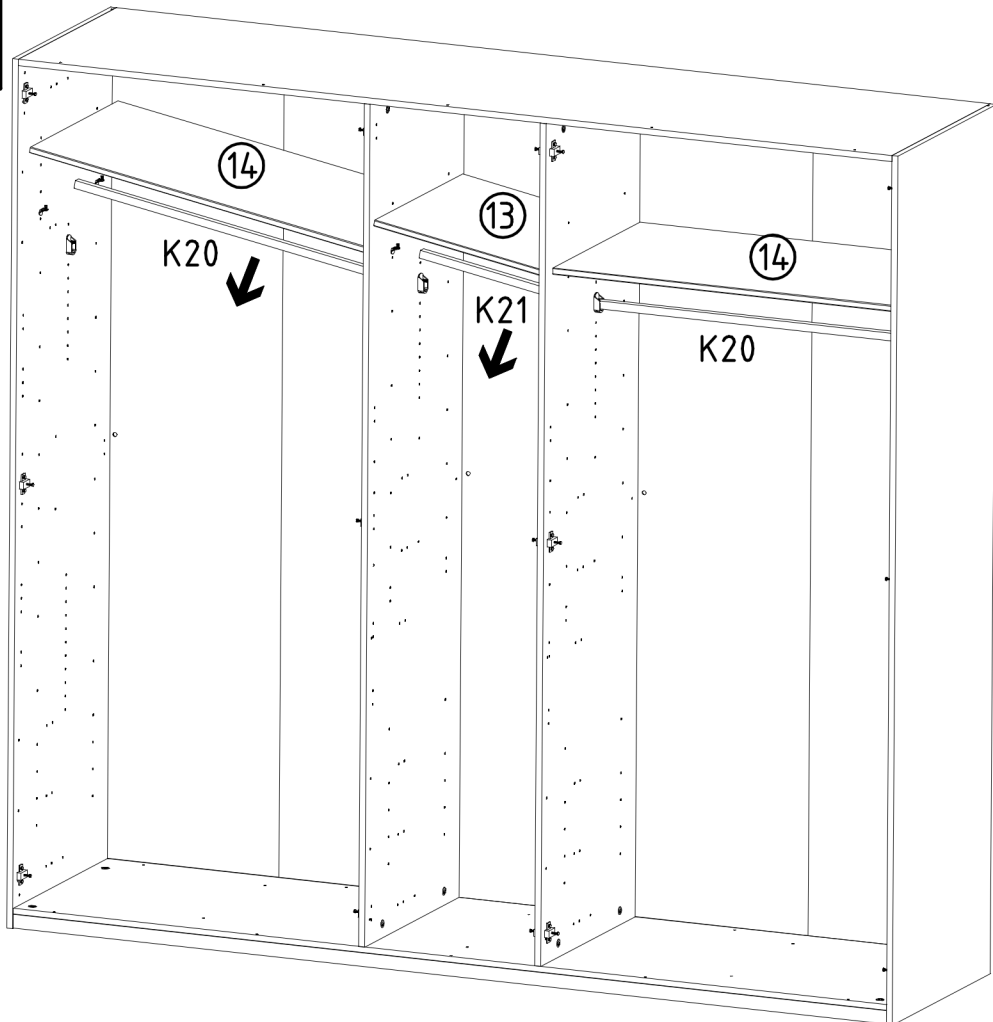




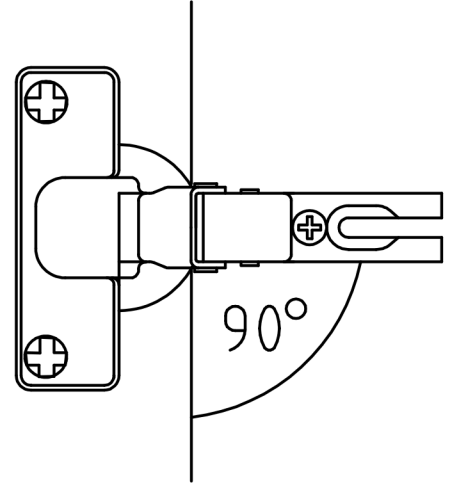
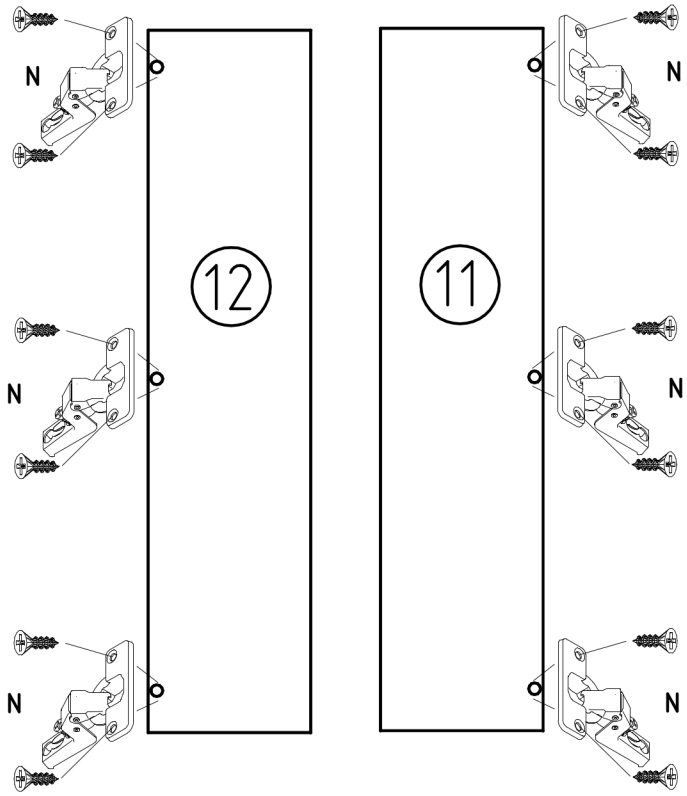
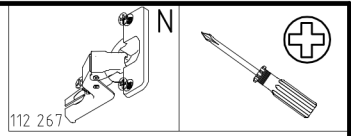
11



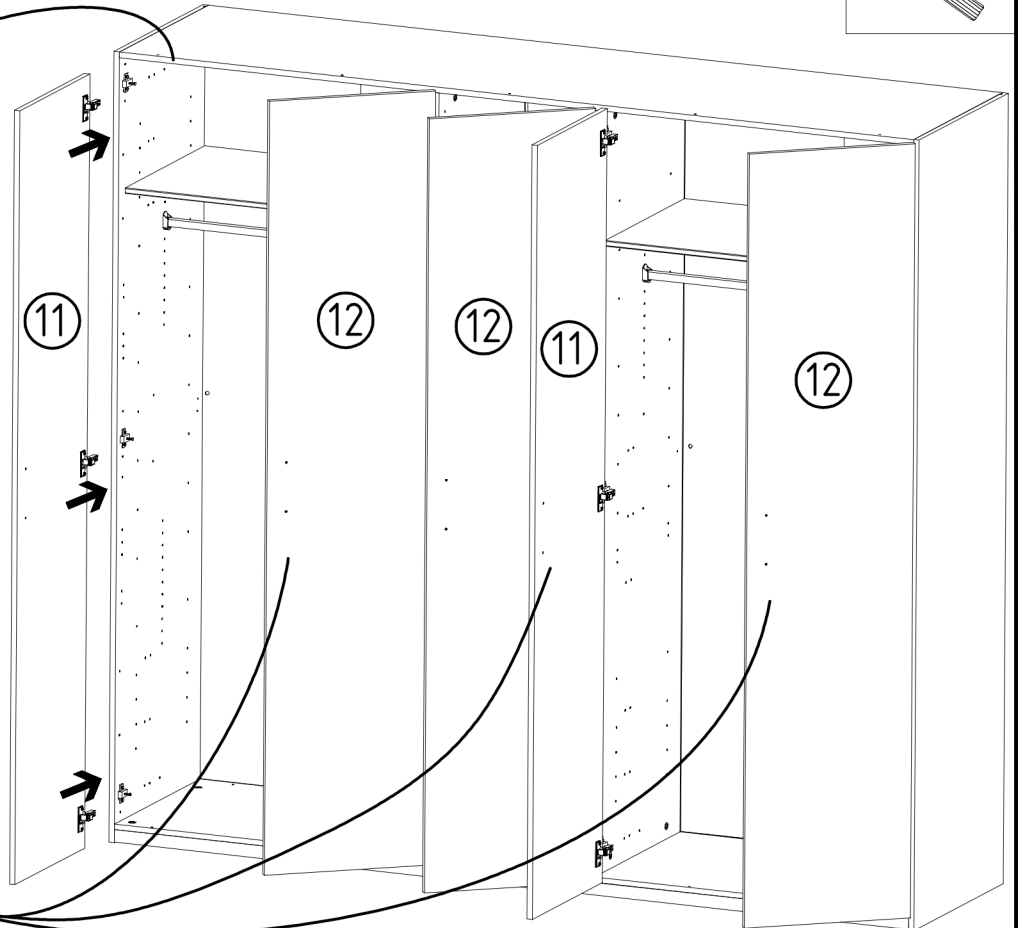
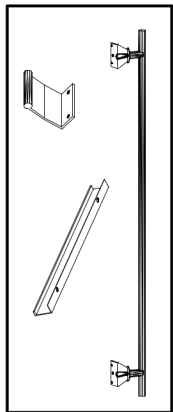
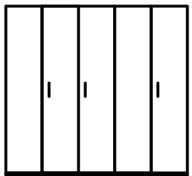
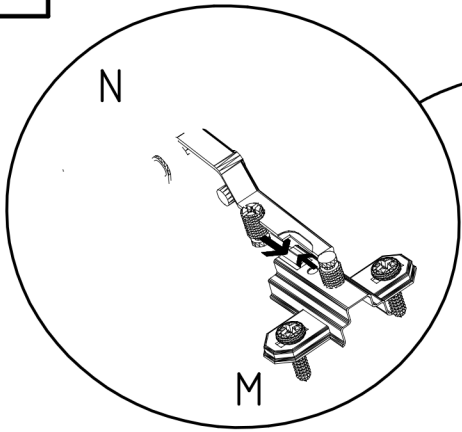
12

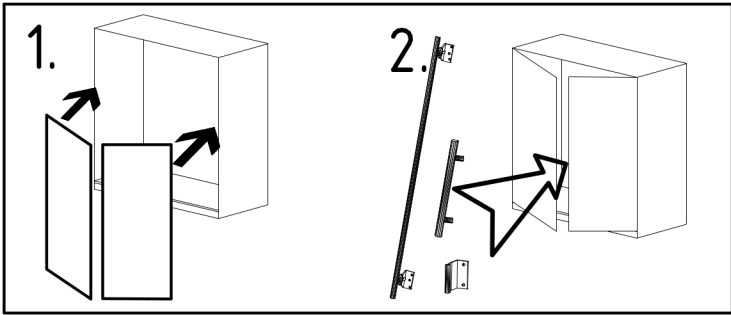


13

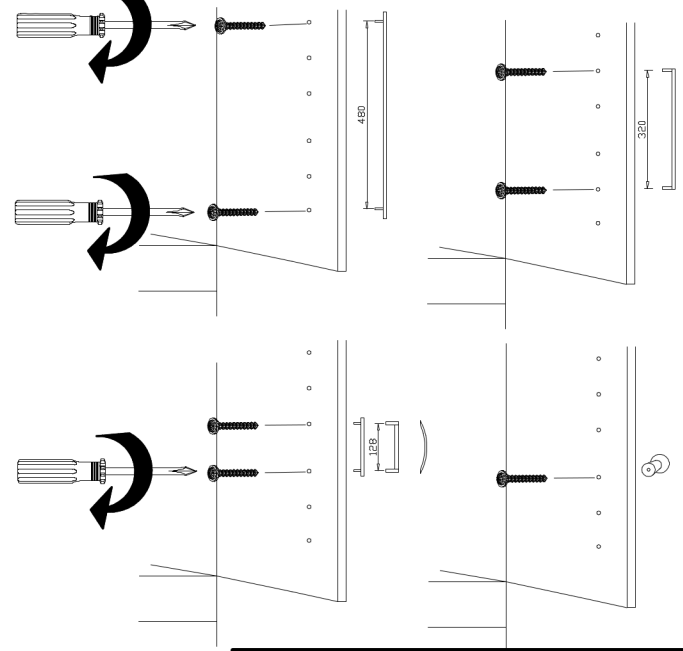
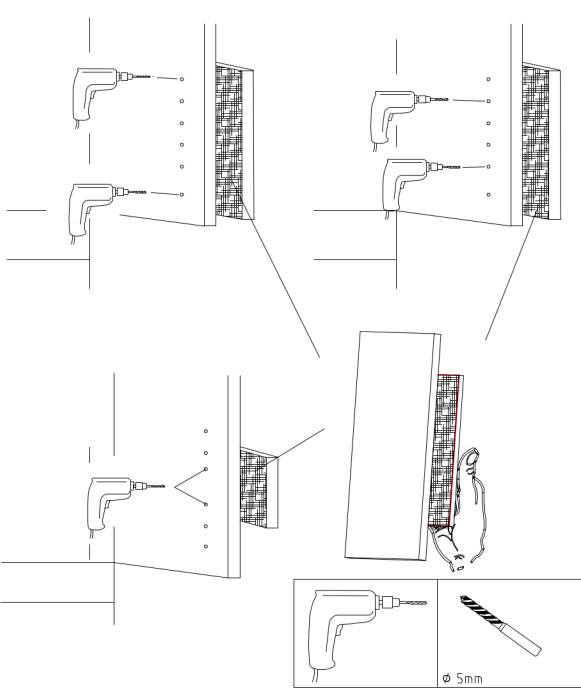
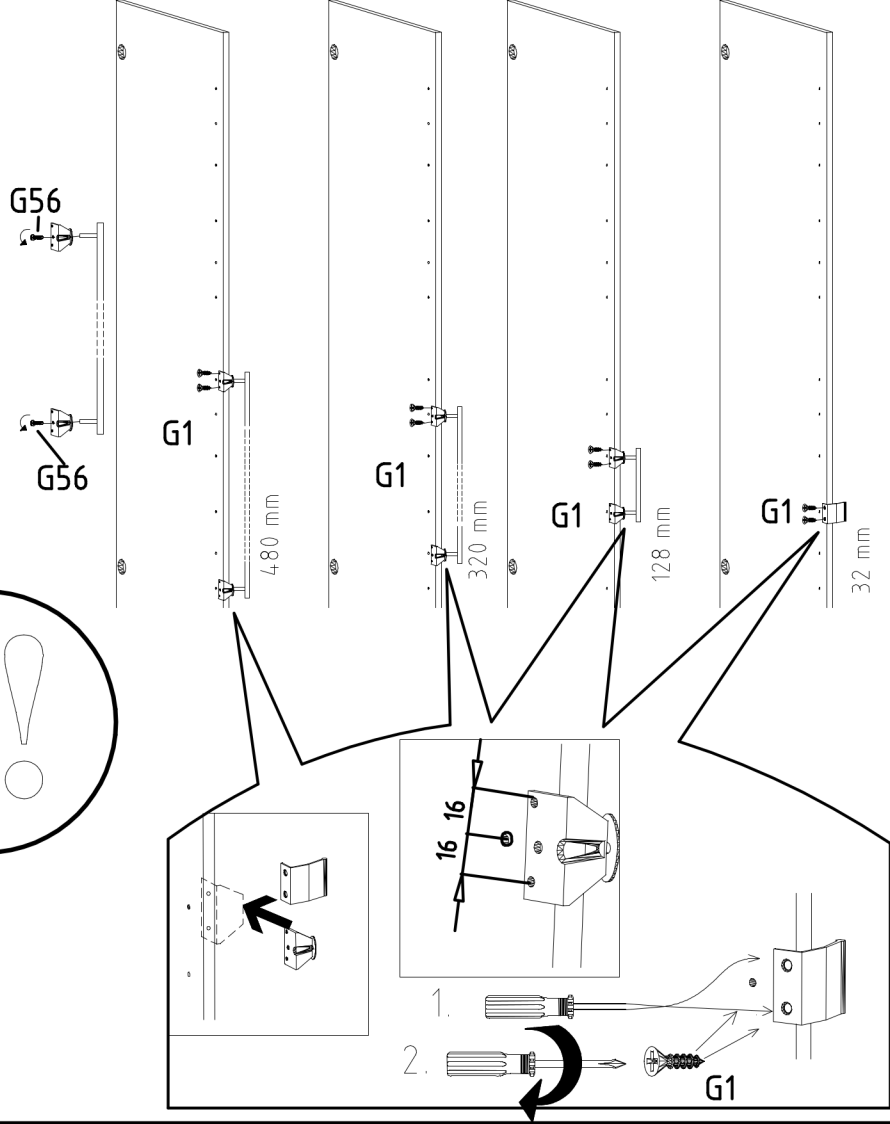
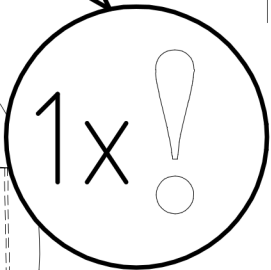
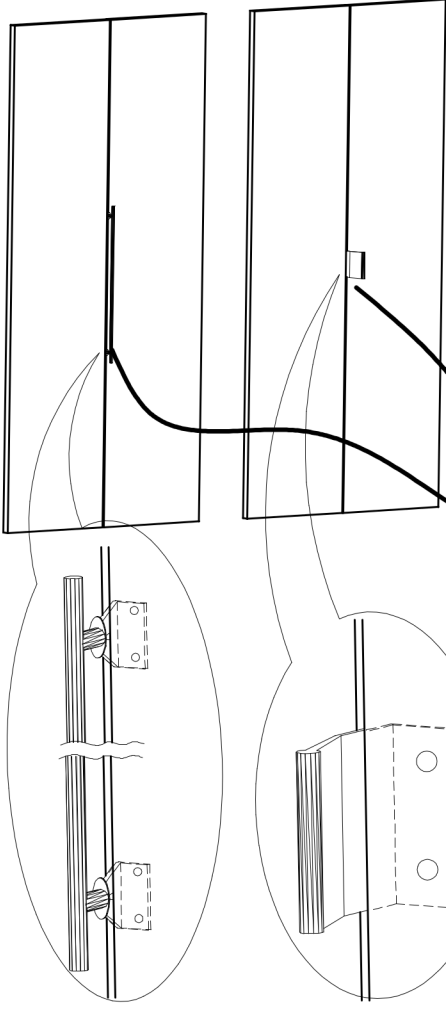


14



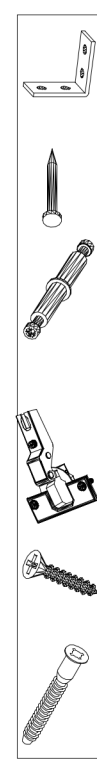
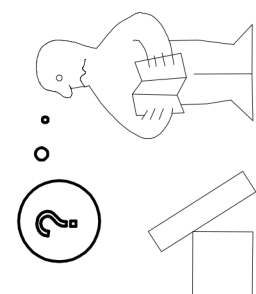
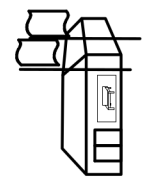
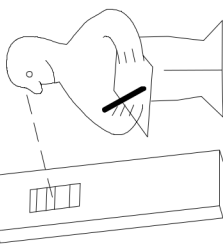
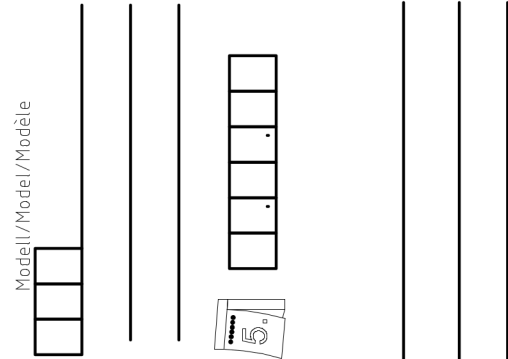
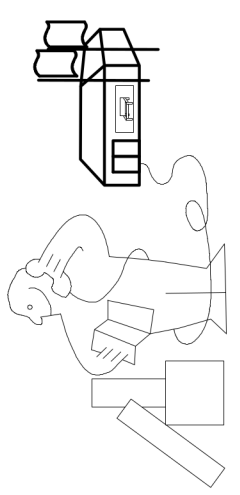
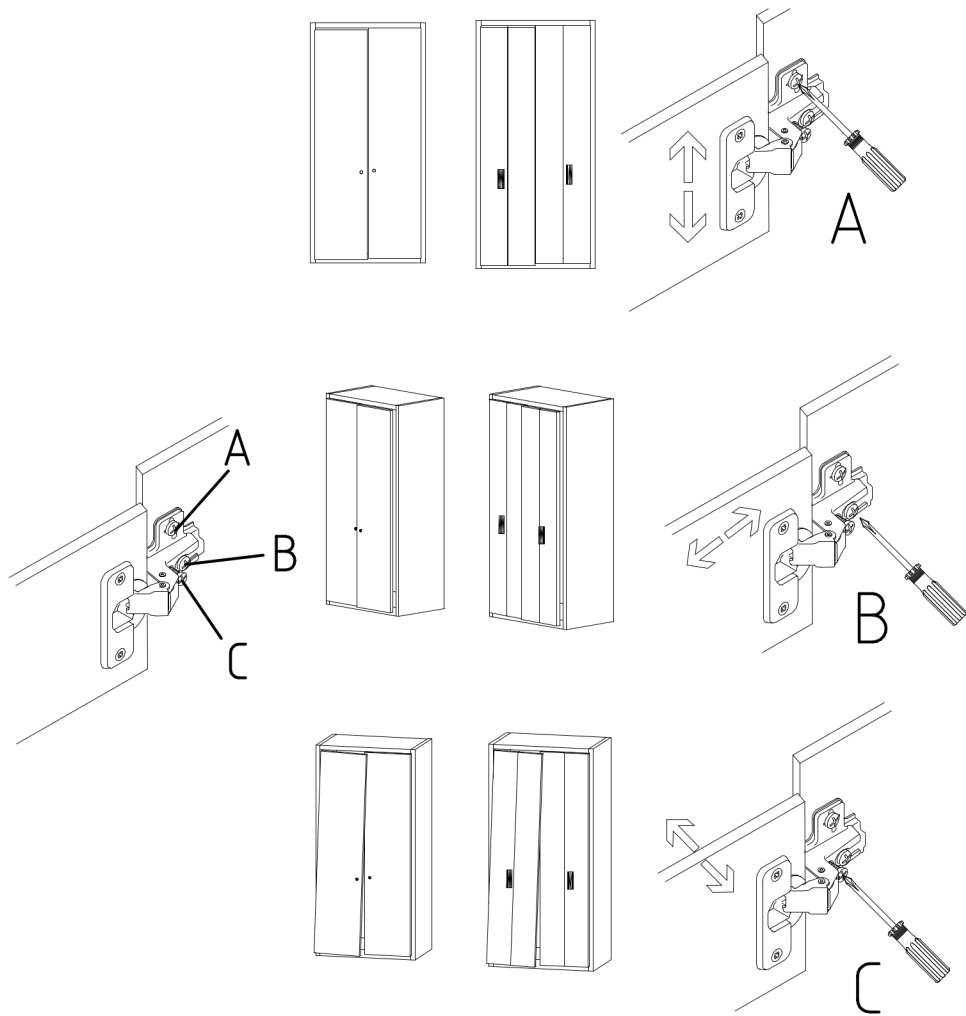


3,5 x 15 mm 121 370	G1	4,0 x 12 mm 122 625	G56
------------------------	----	------------------------	-----



<b>SP27</b>
4 X 27mm
122620
4,0x22
G49
122 609





(121 370)	( G 1 )	(4x)				