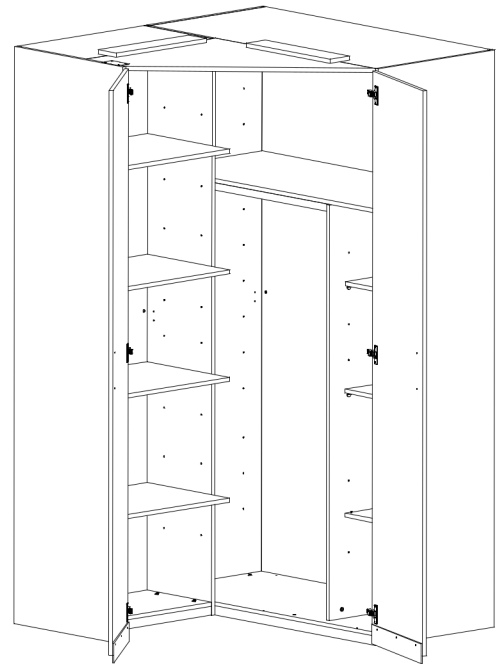
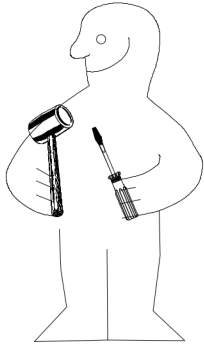
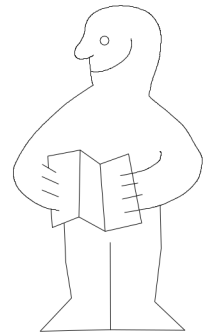
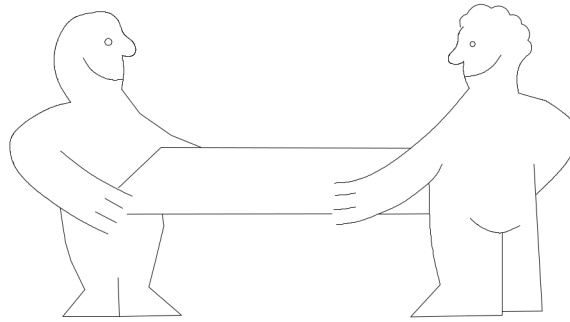
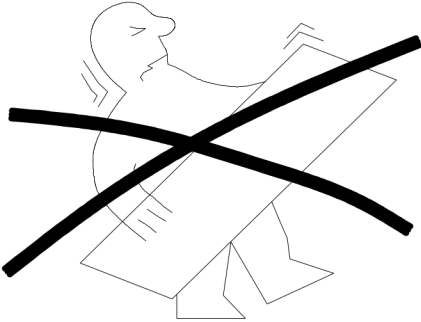


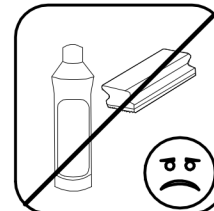
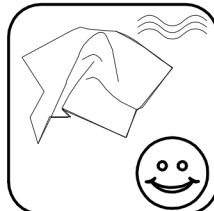
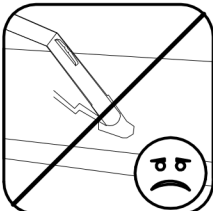
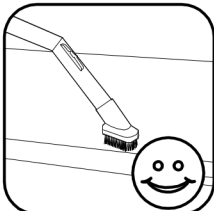
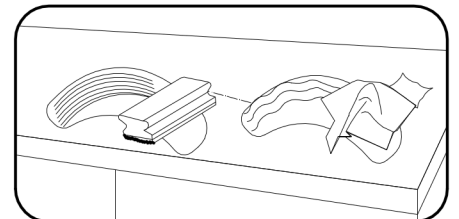
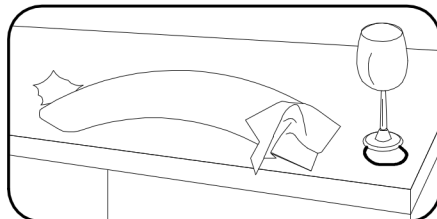
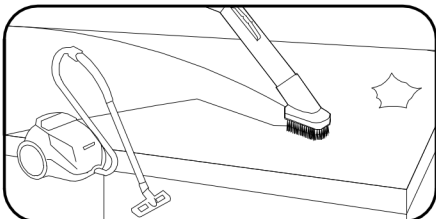
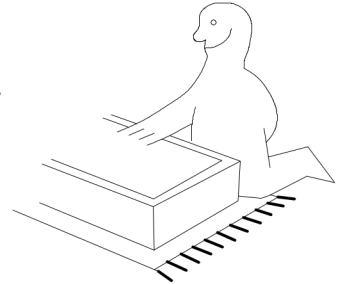
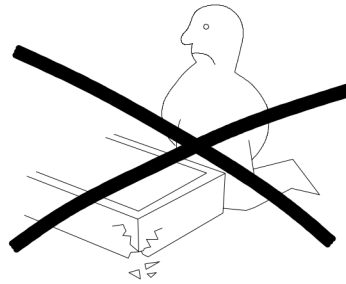
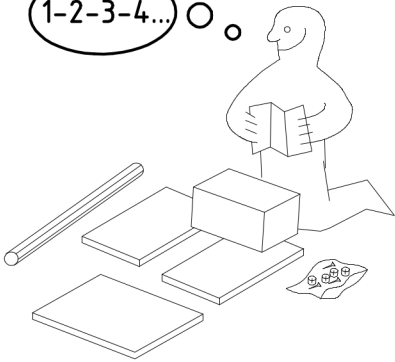
980330



NSP



1-2-3-4... ○ ○

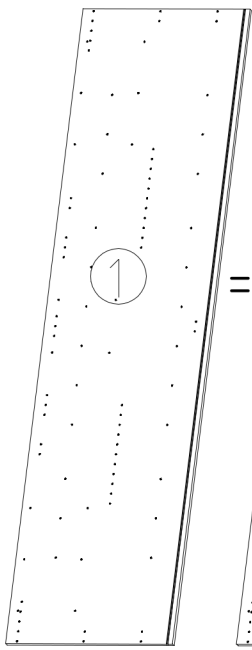


980330

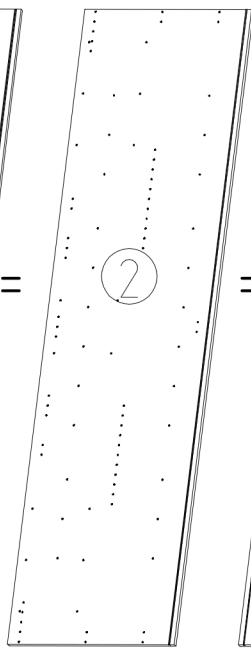
31.03.16 / 25.10.17

10 17

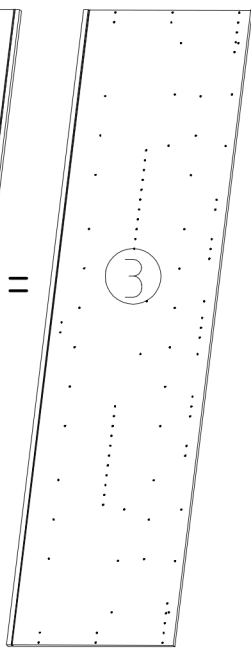
1/15



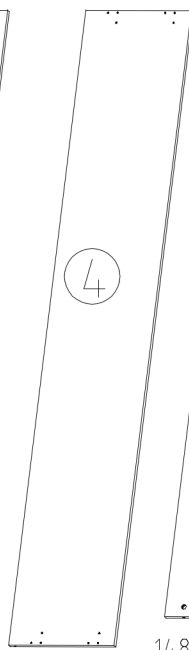
2064x560x15



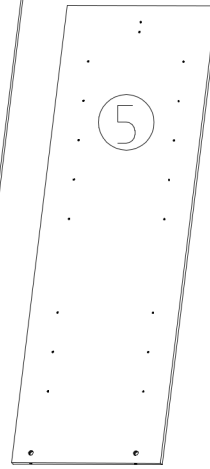
2064x560x15



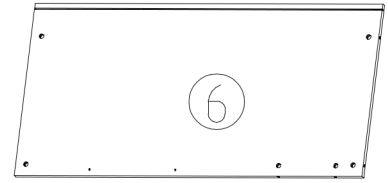
2064x560x15



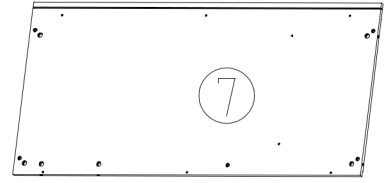
2064x354x15



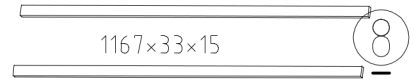
1486x500x15



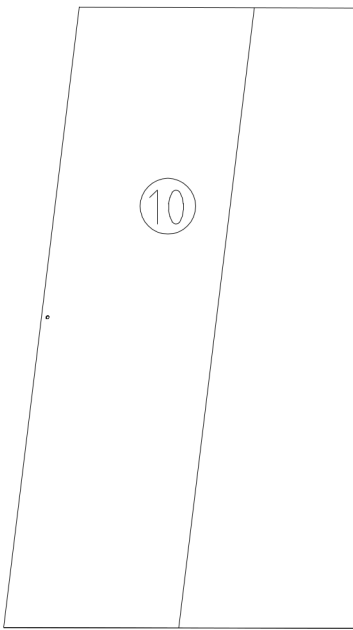
1167x560x15



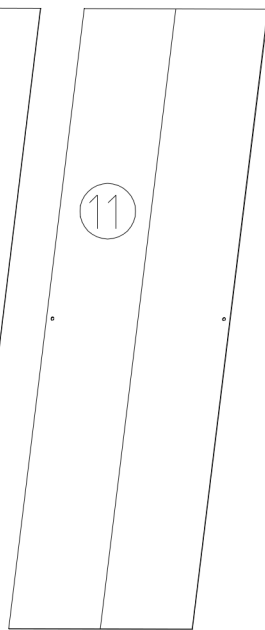
1167x560x15



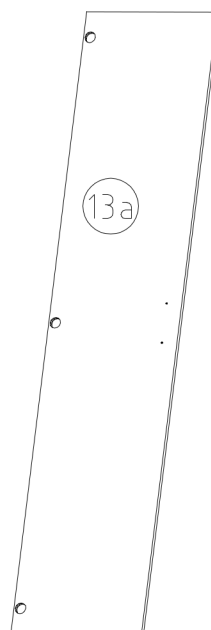
1167x33x15



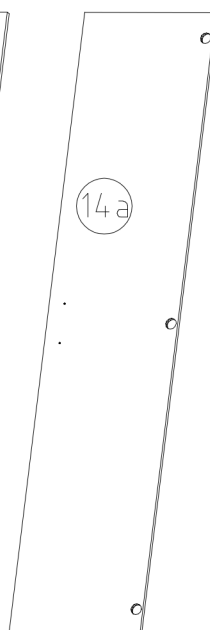
2015x1176x2,5



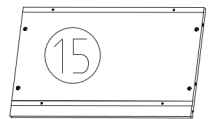
2015x616x2,5



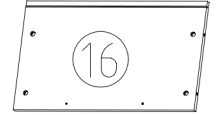
2021x439x15



2021x439x15



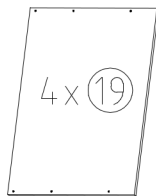
607x354x15



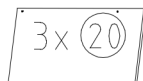
607x354x15



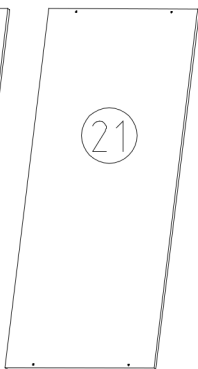
607x33x15



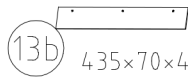
607x425x18



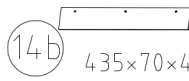
279x425x18



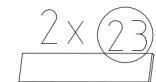
1167x500x18



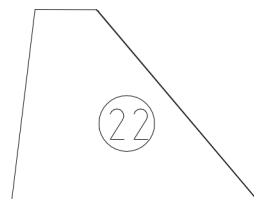
435x70x4



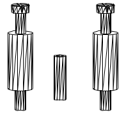
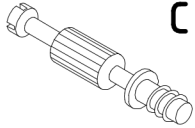
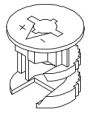
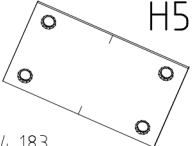
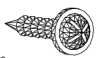
435x70x4



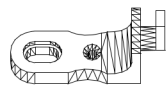
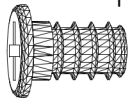
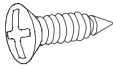


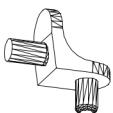
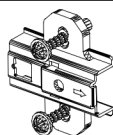
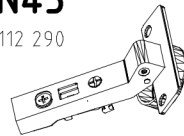
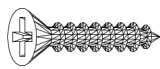


435x93x15

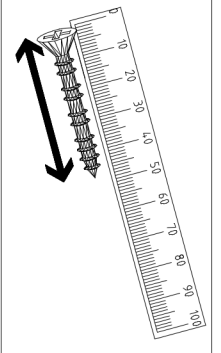
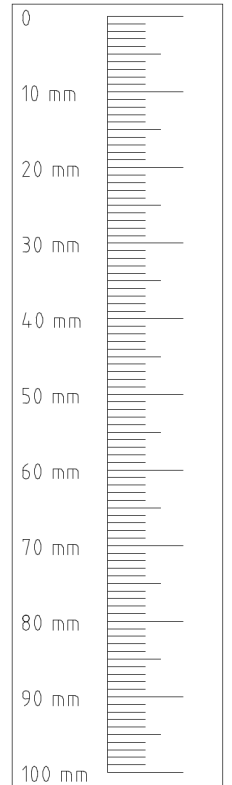


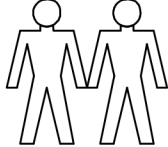
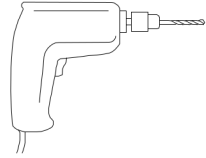

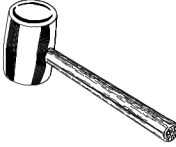
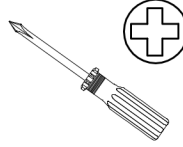
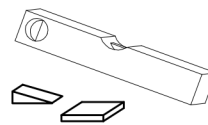
828x622x15

 F3	4x
 C	14x
 A	22x
 H5	1x
 4 X 15mm SP15	5x

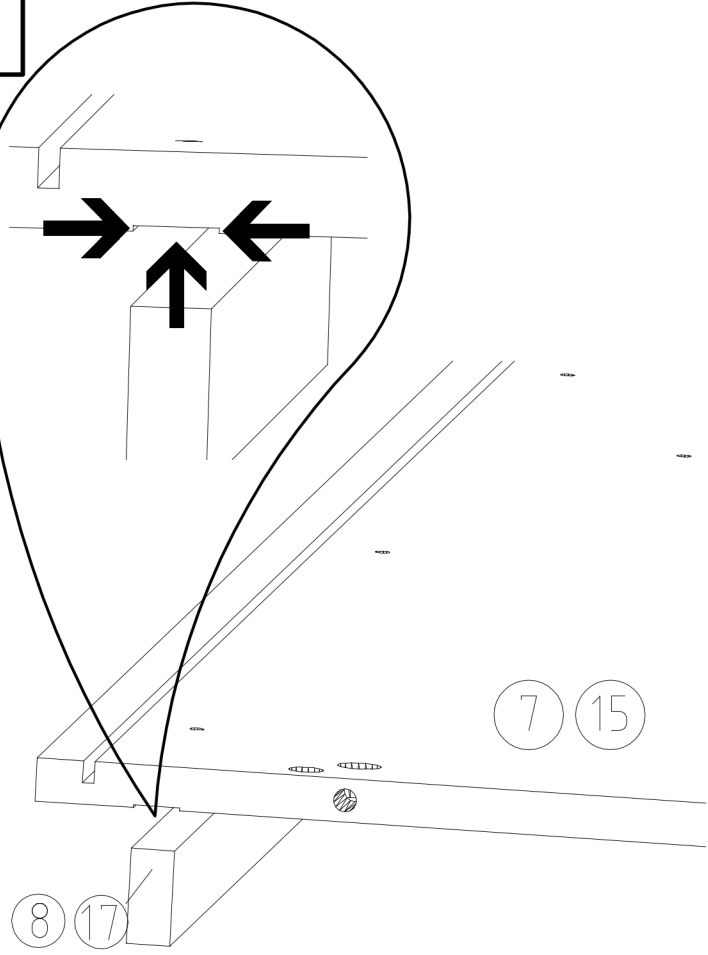
 K2	2x
 870mm K20	1x
 J1	5x
 M6 x 11 mm T6	4x
 3,5 x 15 mm G1	24x

 L7	32x
 M45	6x
 N45	6x
 3,5 x 35 mm G14	10x
 4 X 27mm SP27	18x
 V12 φ12	9x

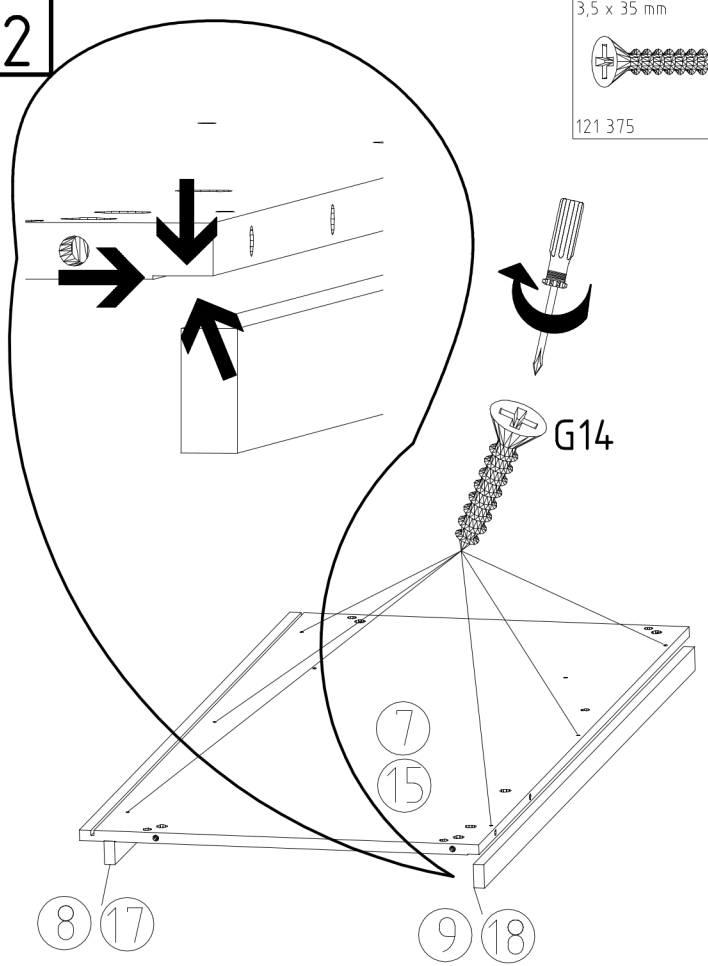


		 φ 10mm
		

1



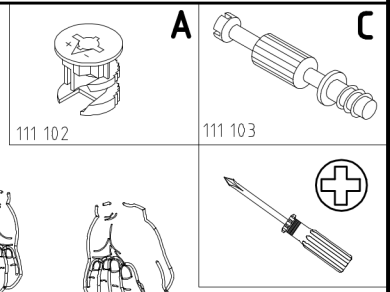
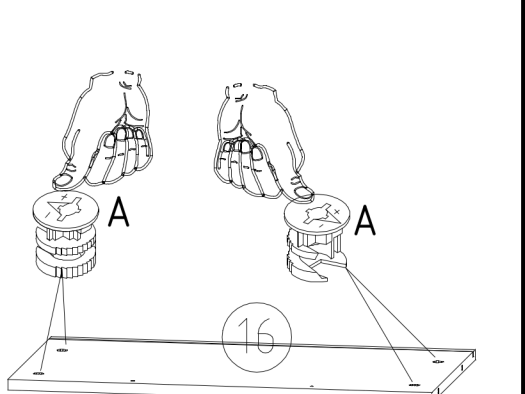
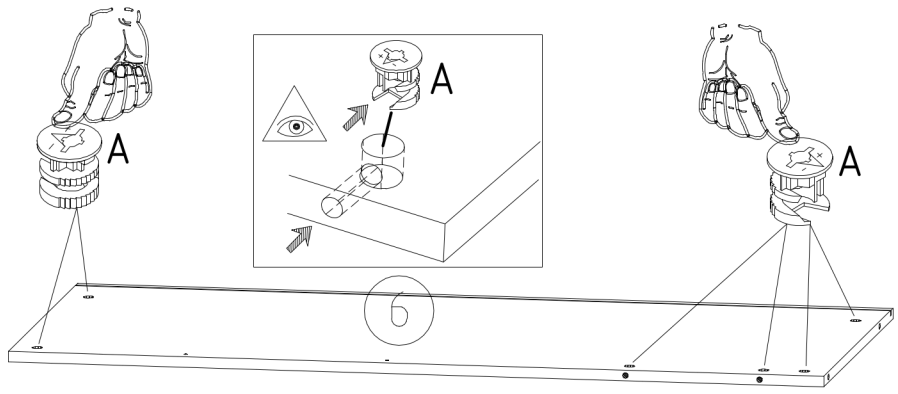
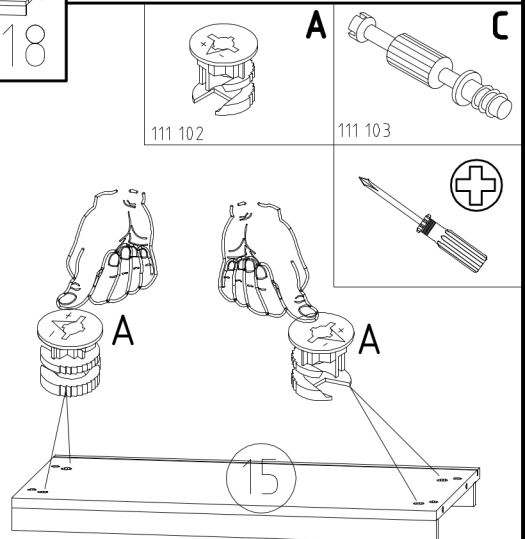
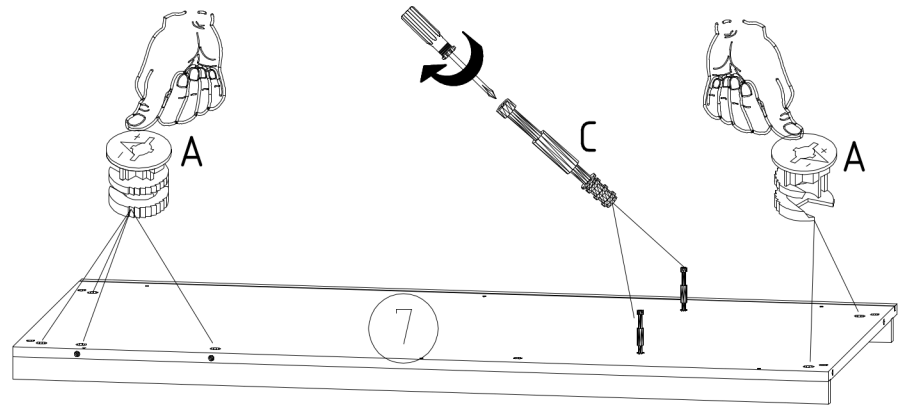
2



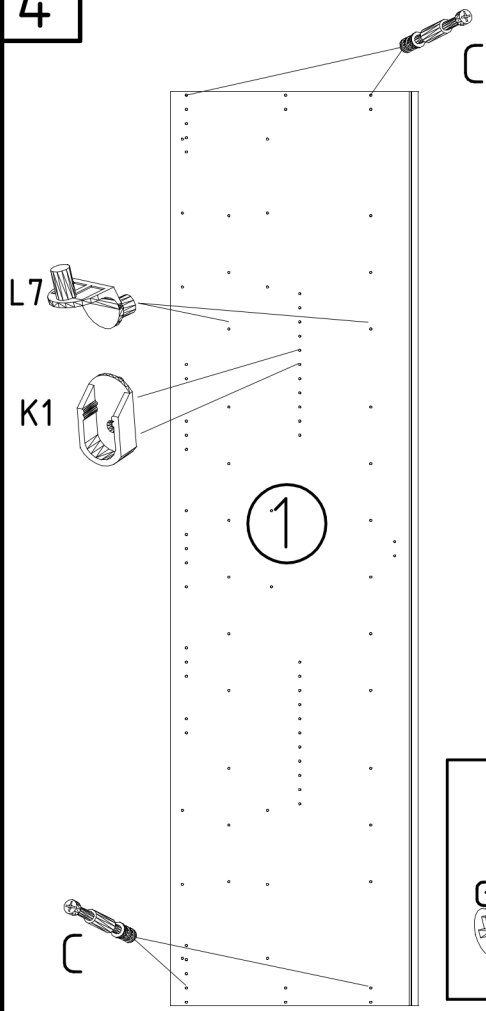
3,5 x 35 mm **G14**
121 375




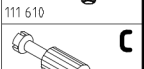
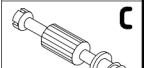


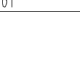
3

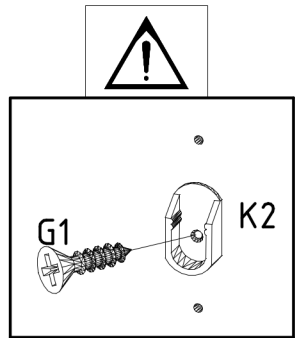
7+8+9 15+17+18



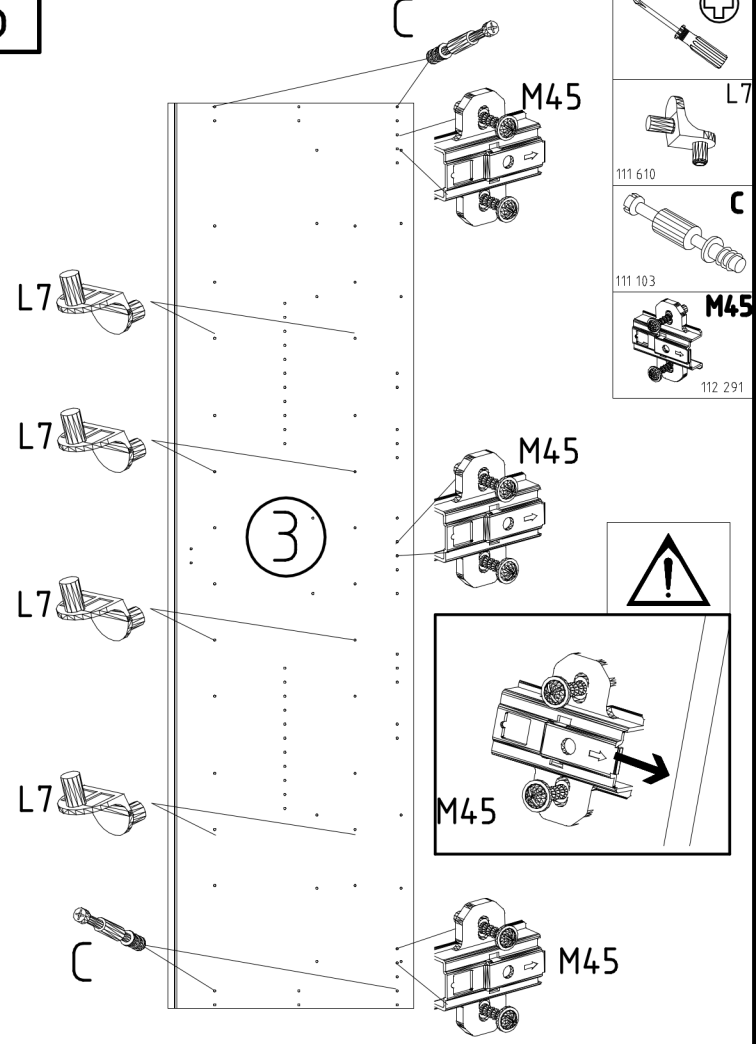
4



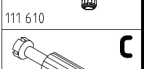
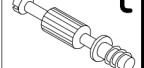





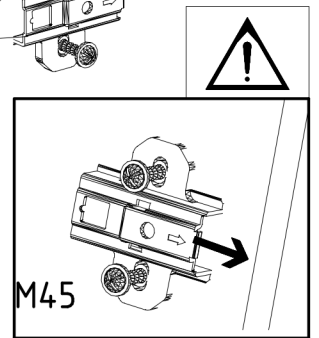
-  3,5 x 15 mm G1
-  121 370
-  L7
-  111 610
-  C
-  111 103
-  K1
-  117 001



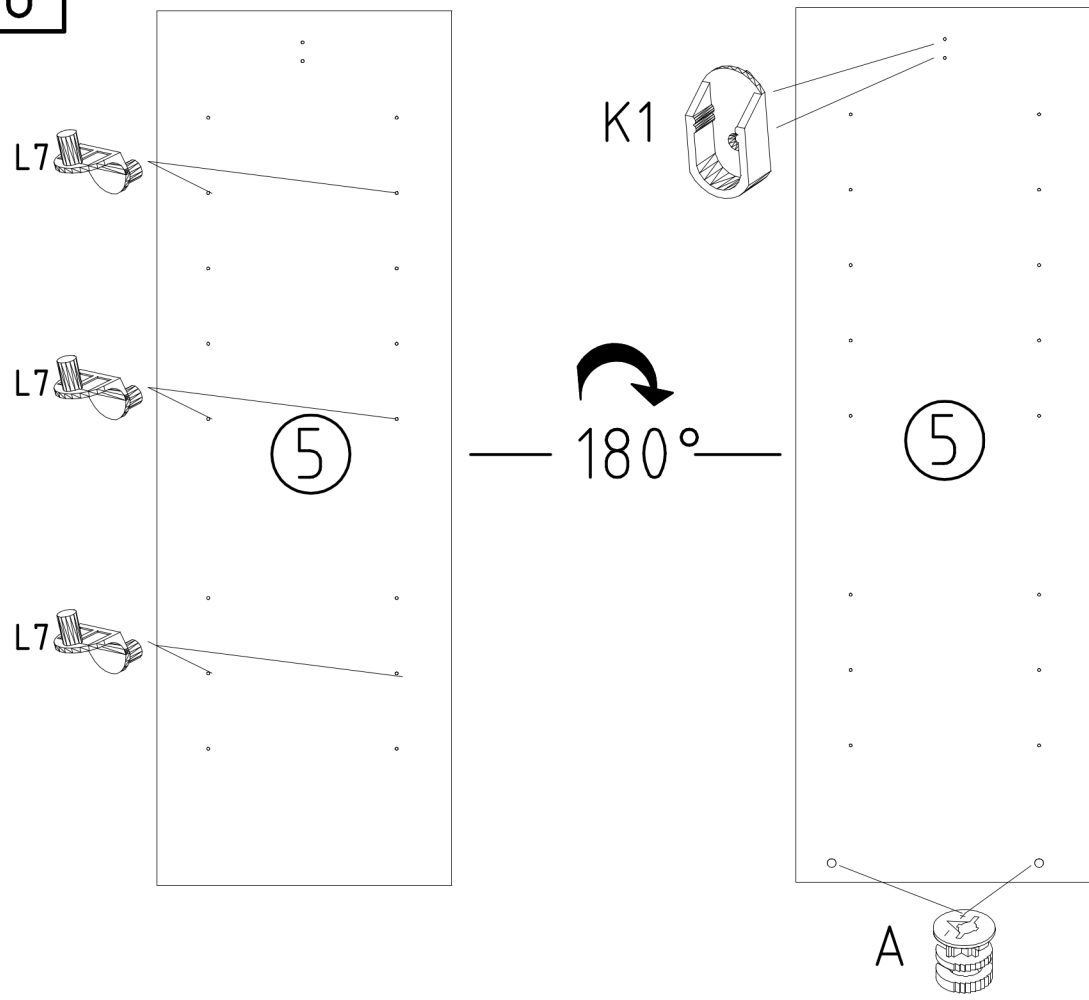
5




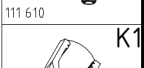



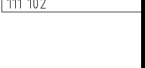


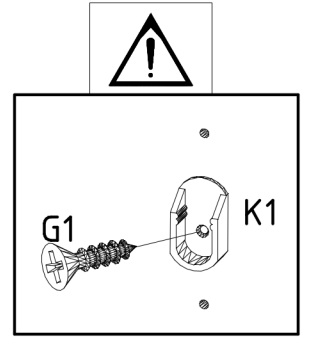
-  3,5 x 15 mm G1
-  L7
-  111 610
-  C
-  111 103
-  M45
-  112 291

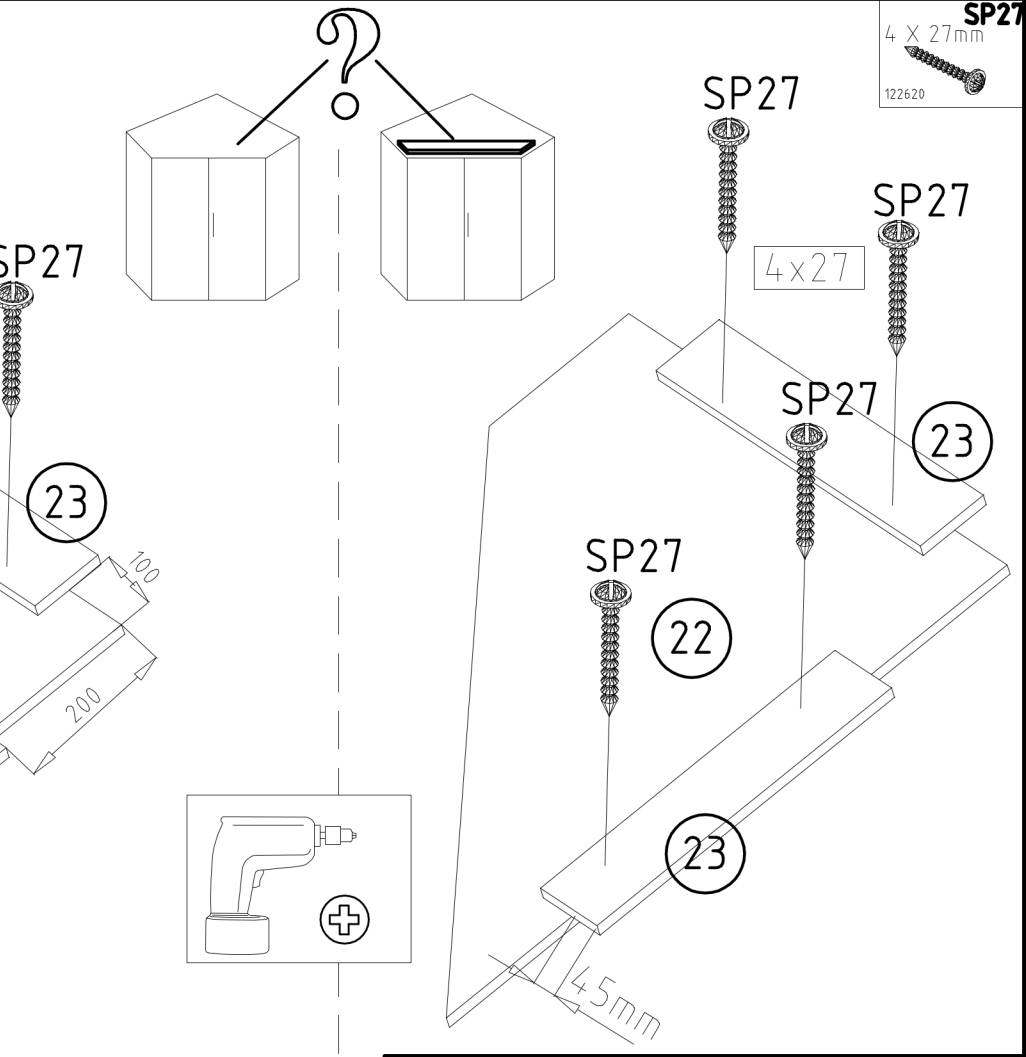
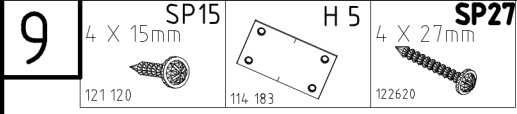
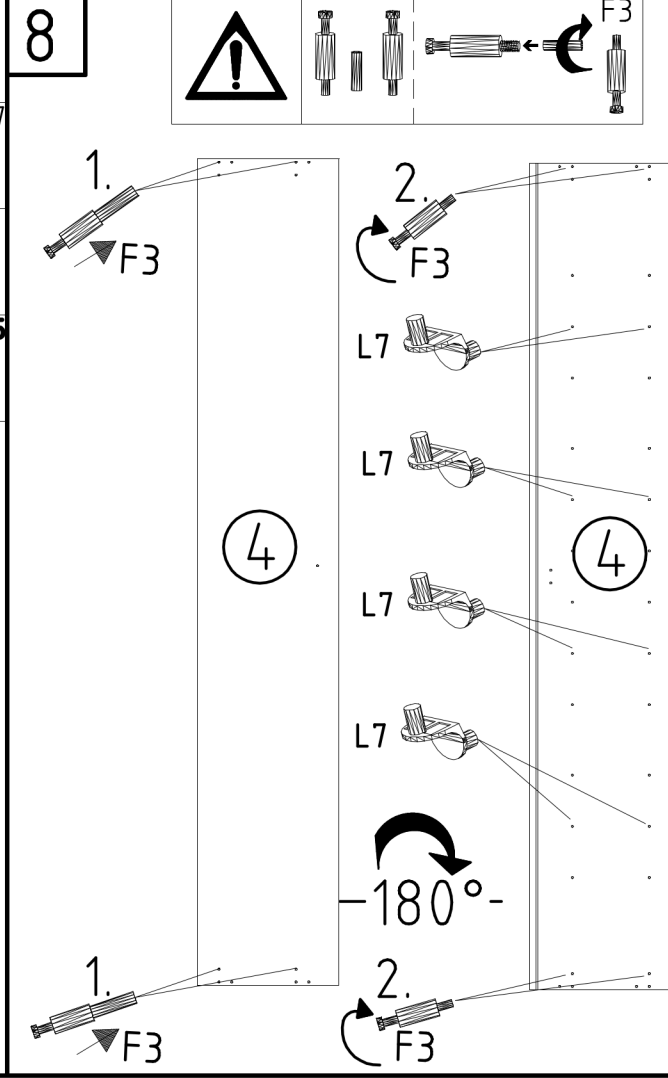
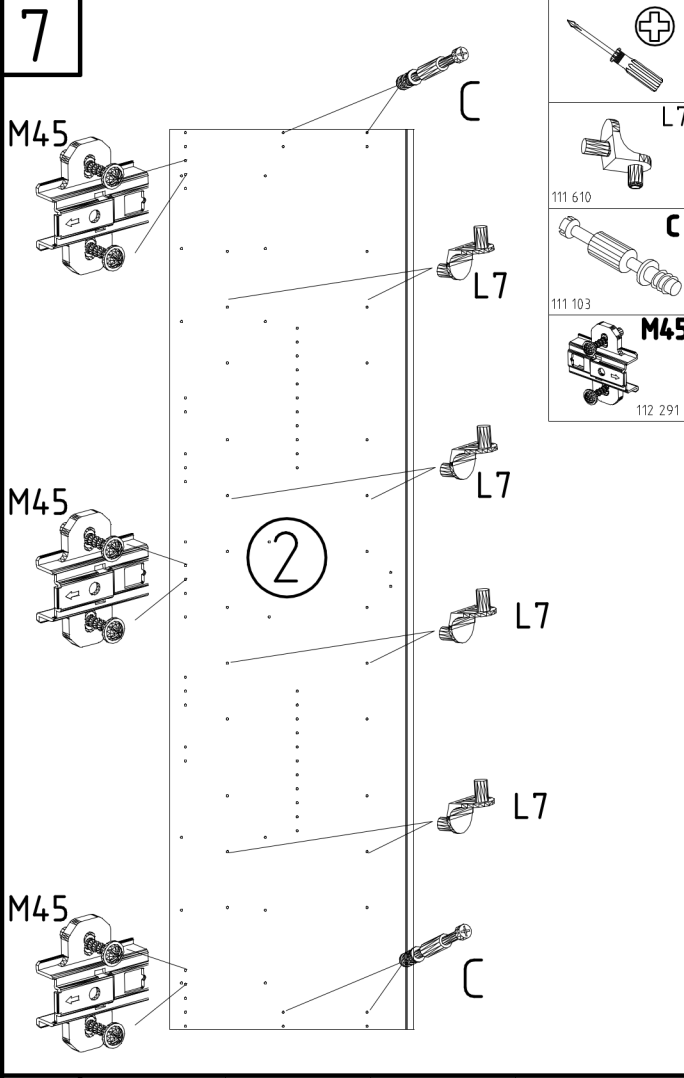


6

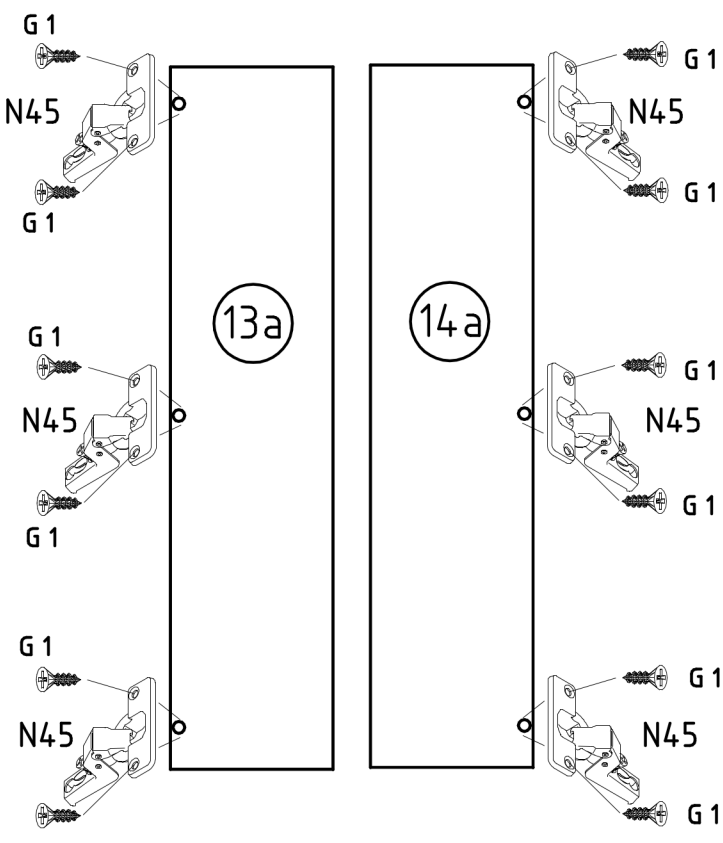


-  3,5 x 15 mm G1
-  121 370
-  L7
-  111 610
-  K1
-  117 001
-  A
-  111 102



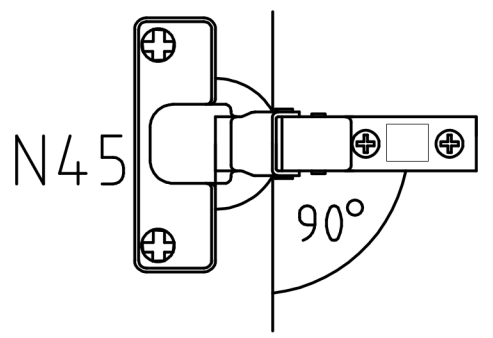


10



3,5 x 15 mm
121 370

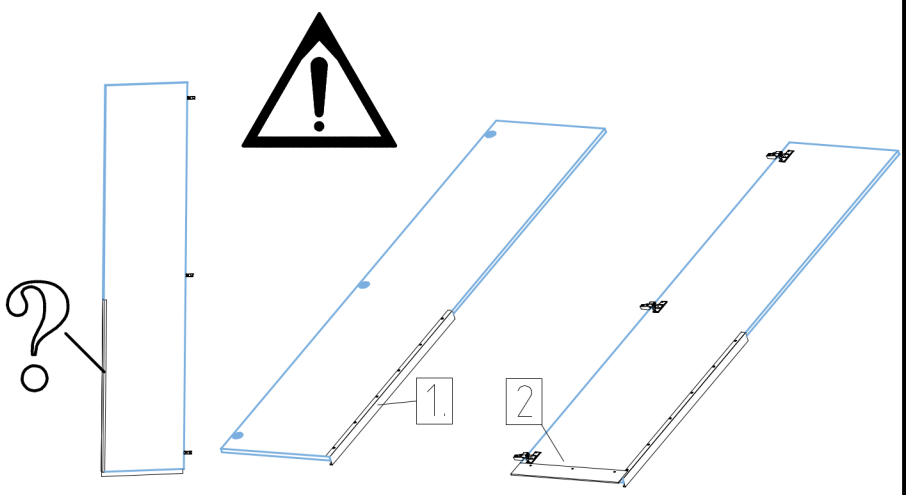
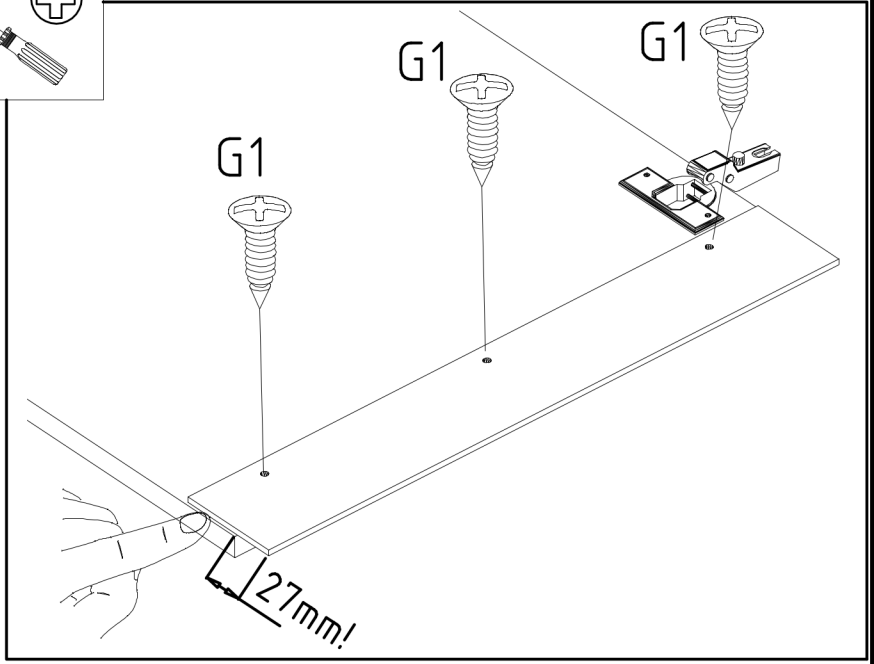
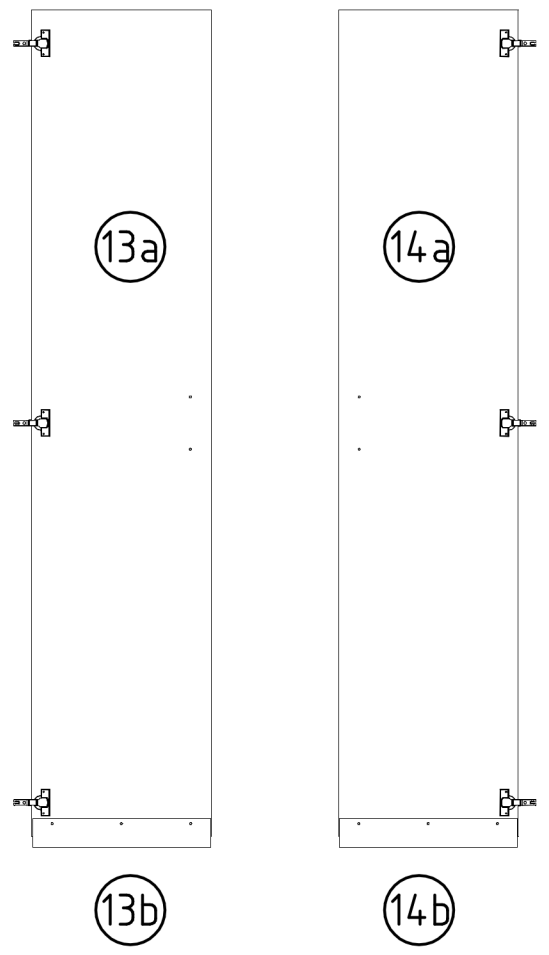
G1 N45
112 290



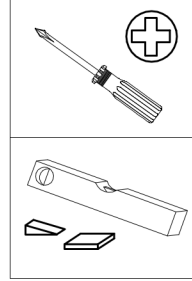
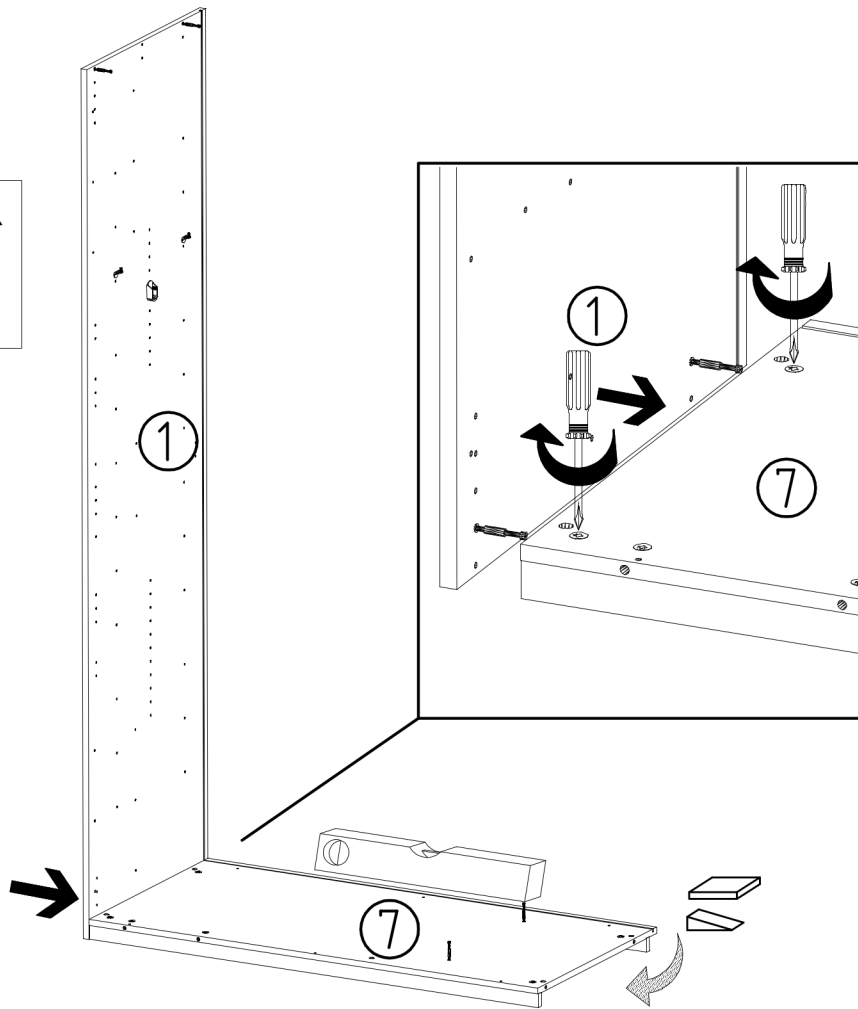
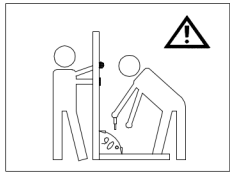
11

3,5 x 15 mm
121 370

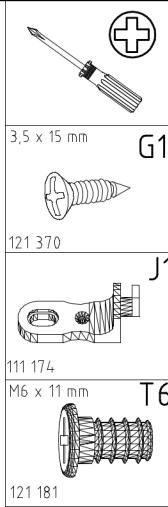
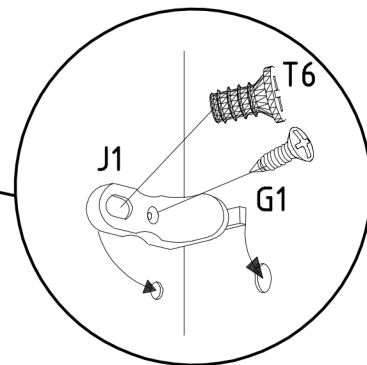
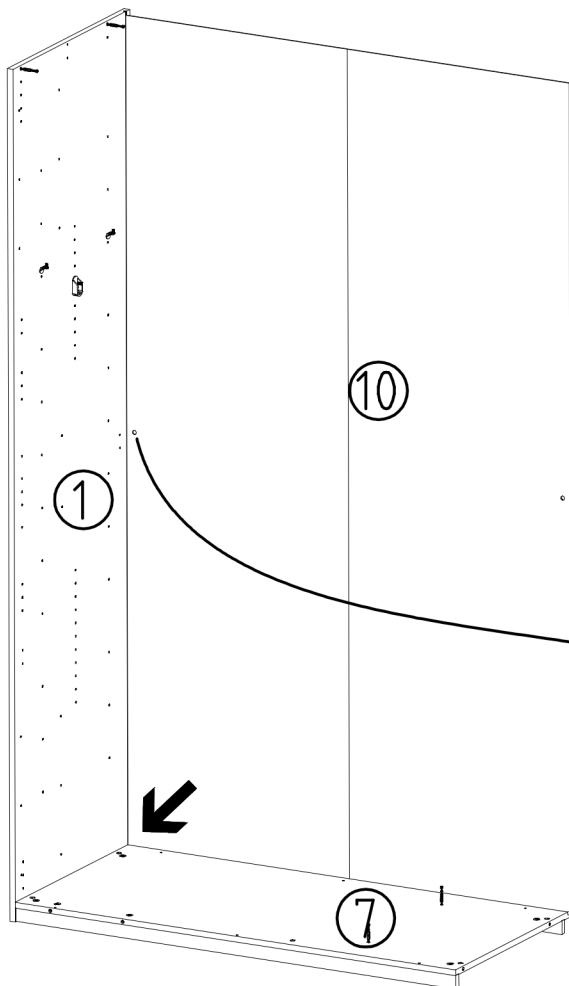
G1

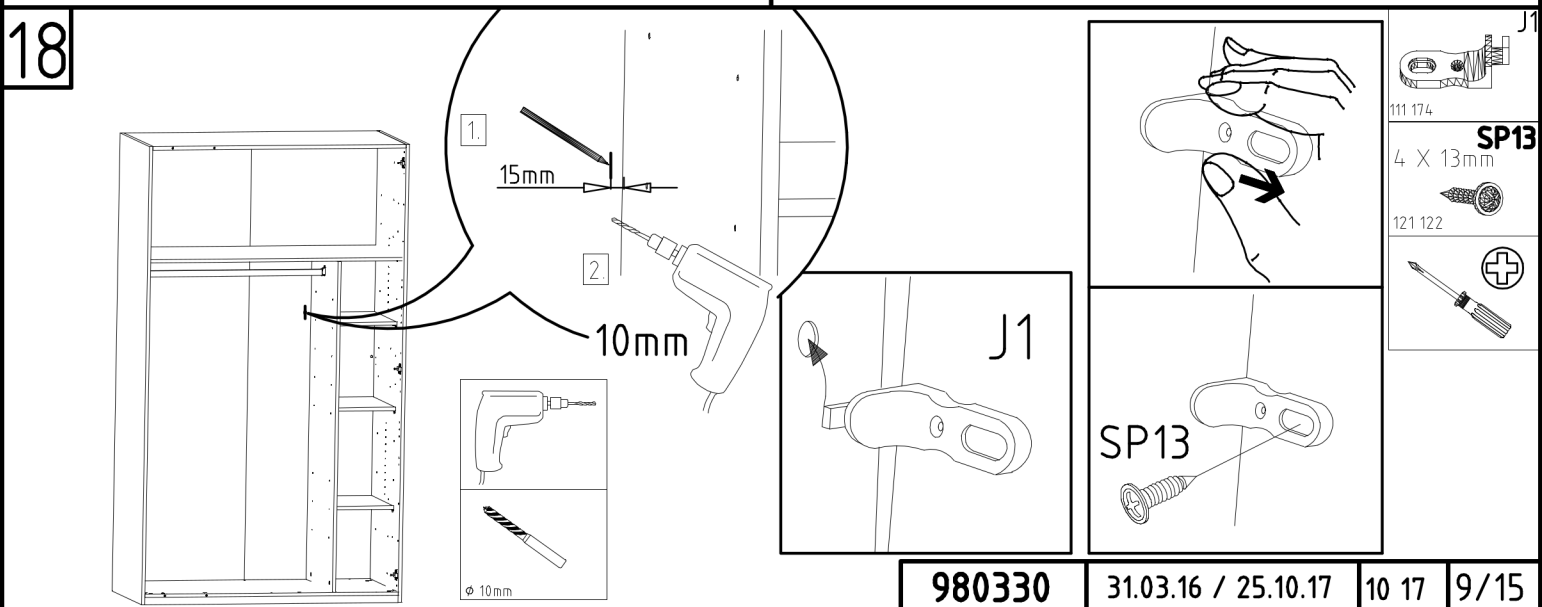
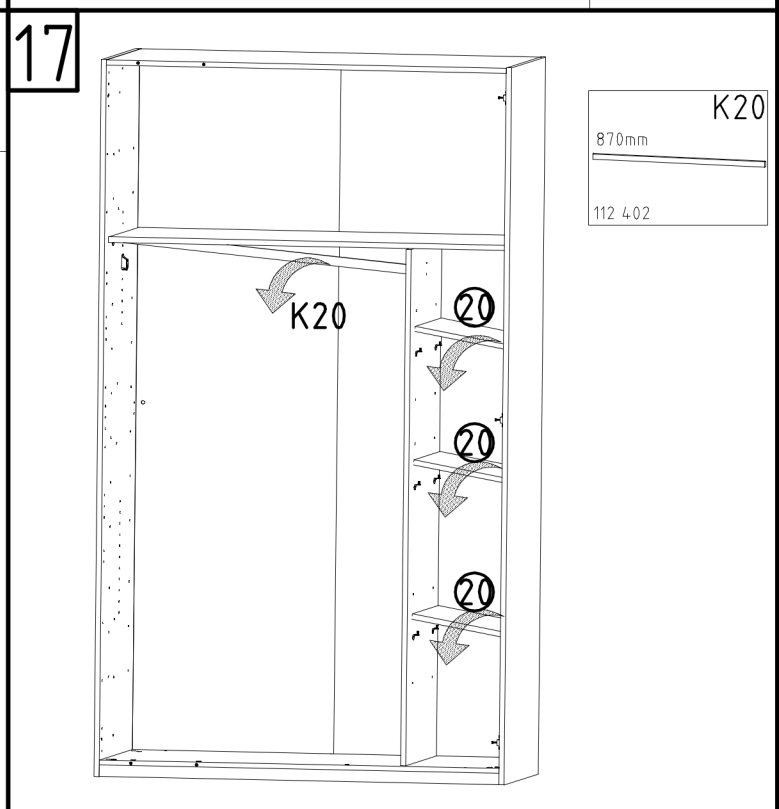
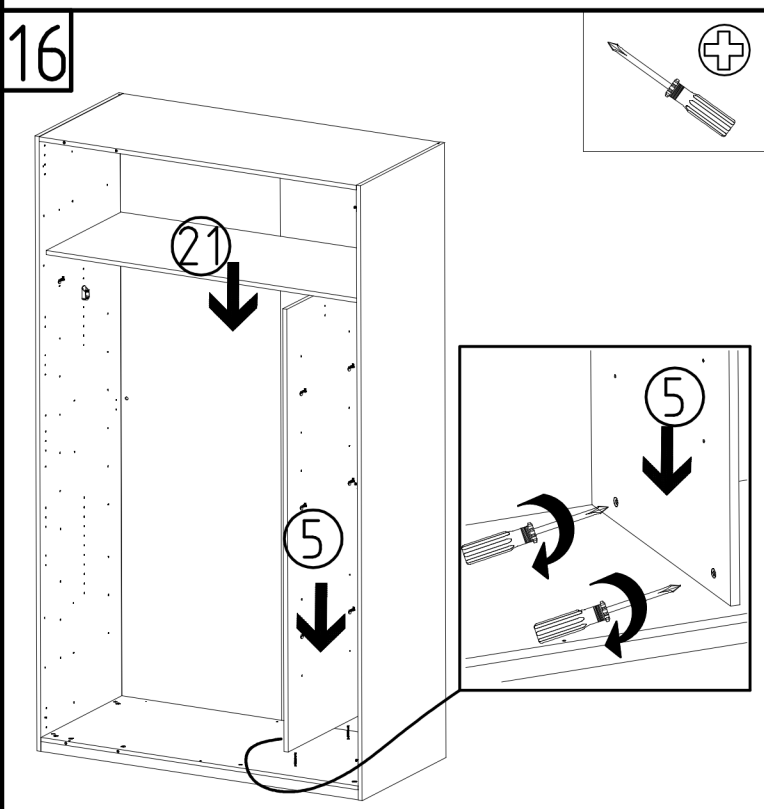
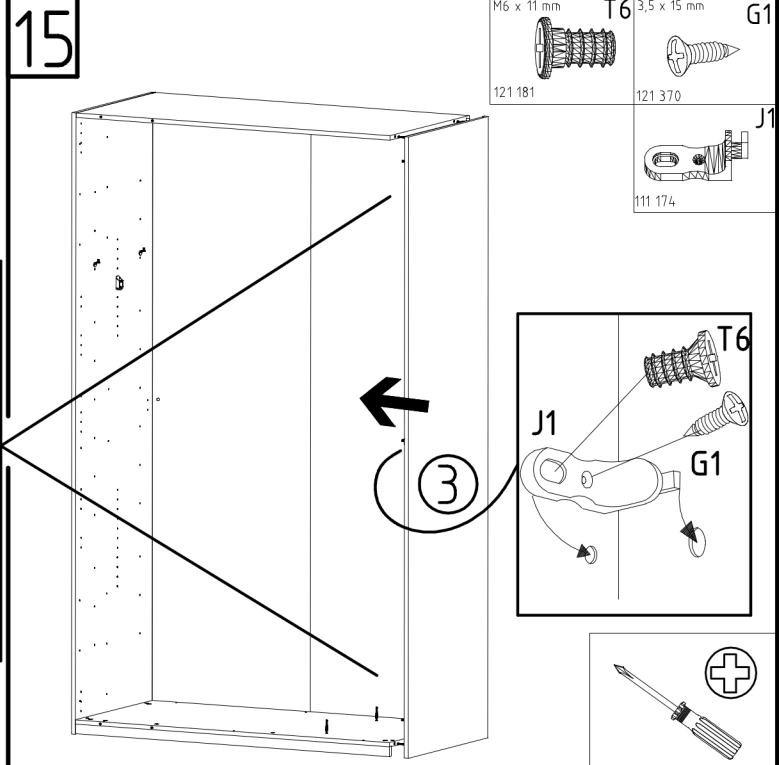
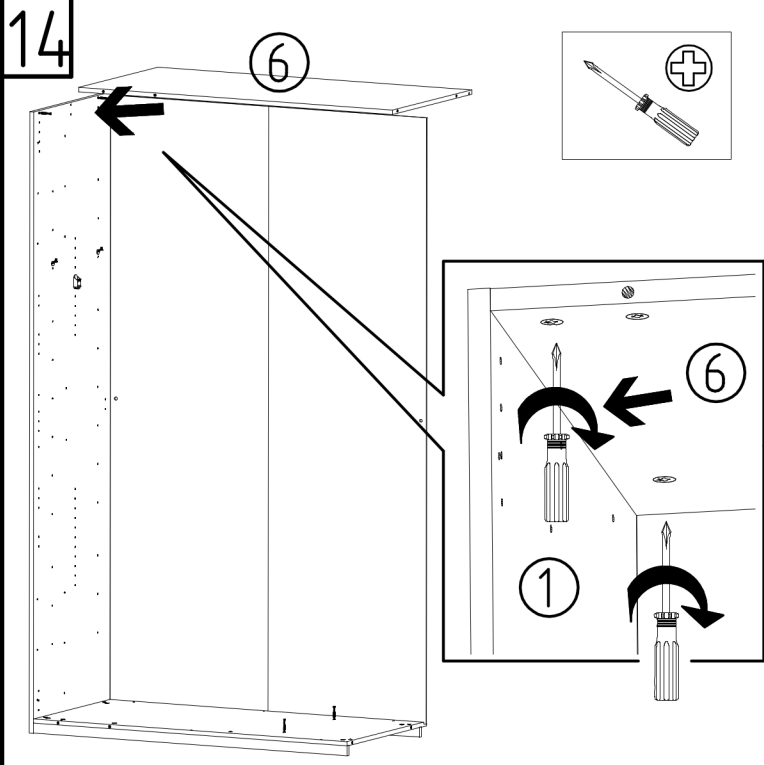


12



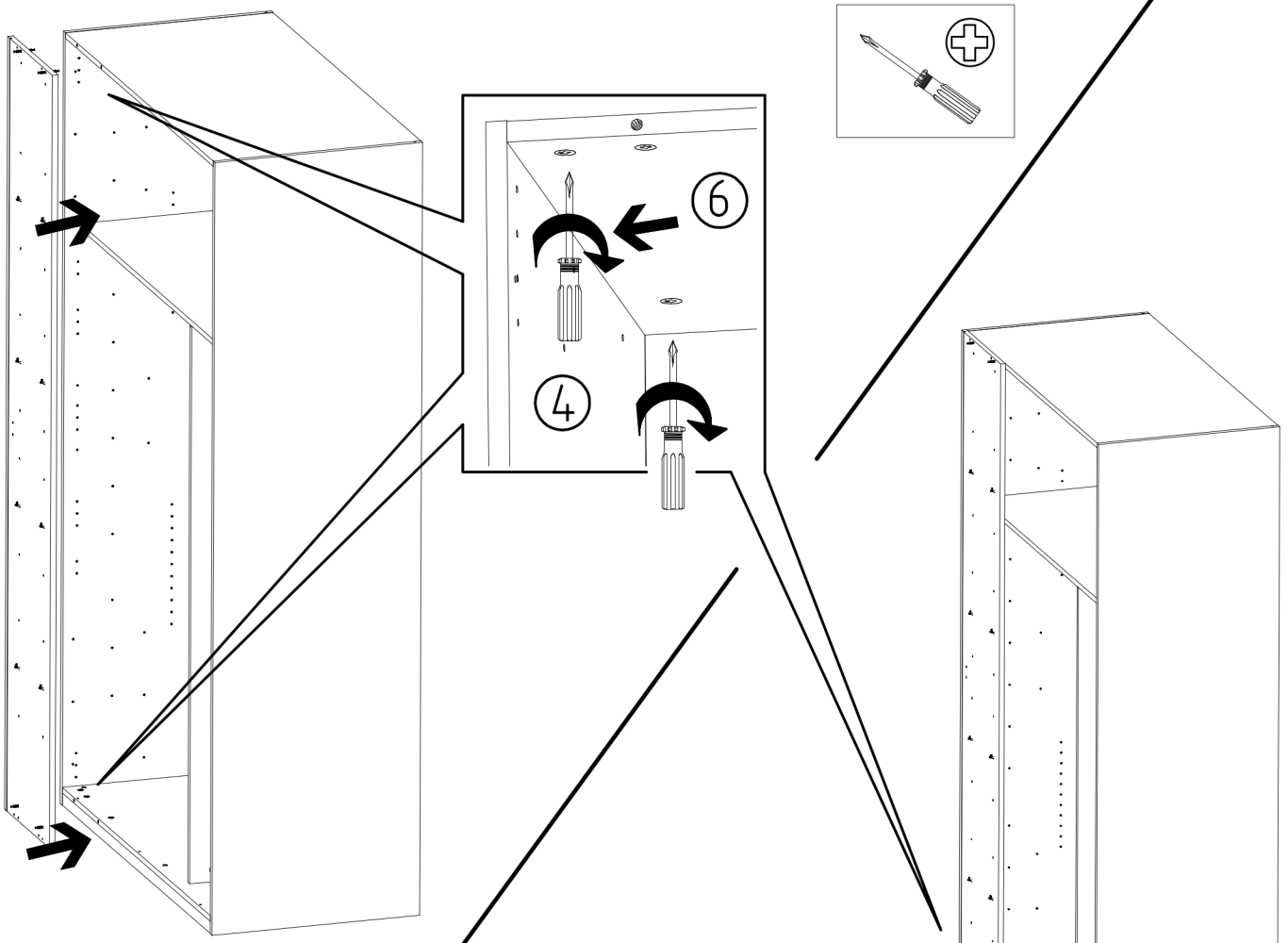
13





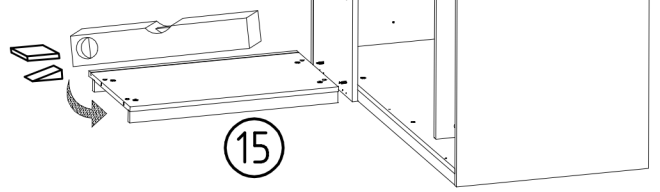
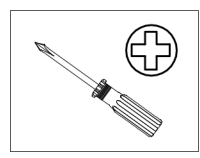
19

4



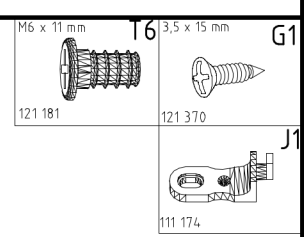
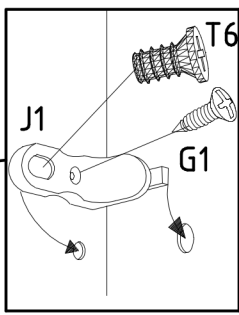
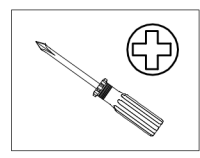
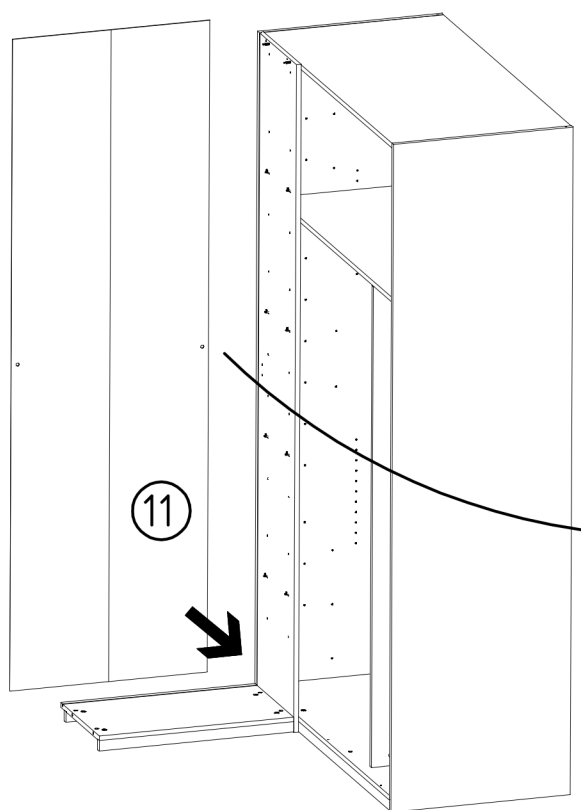
20

15



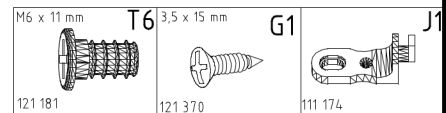
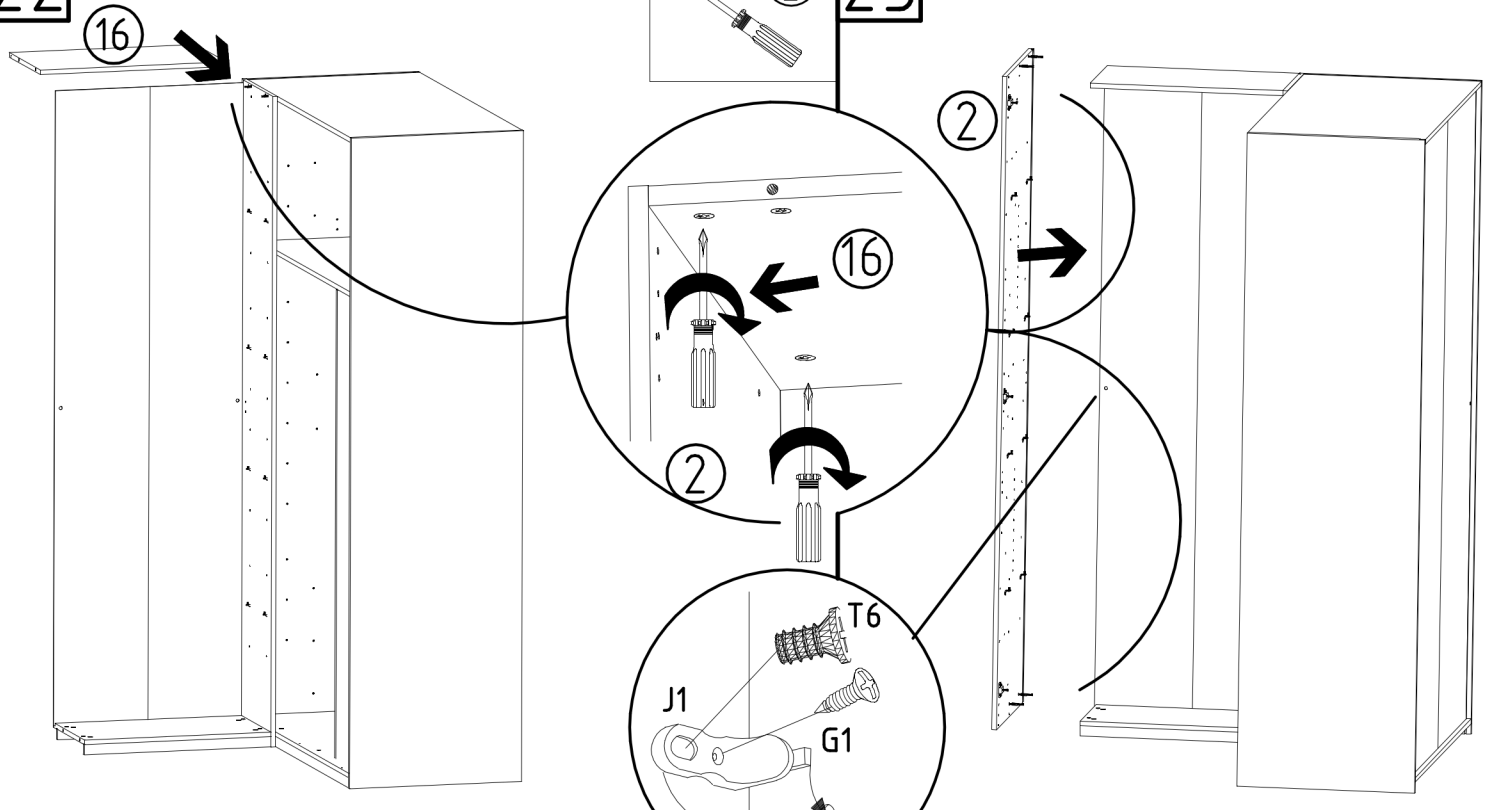
21

11



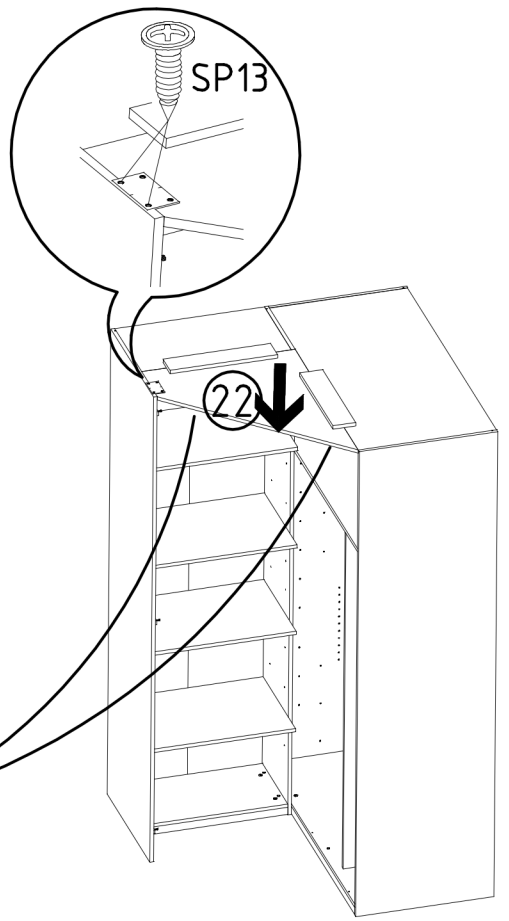
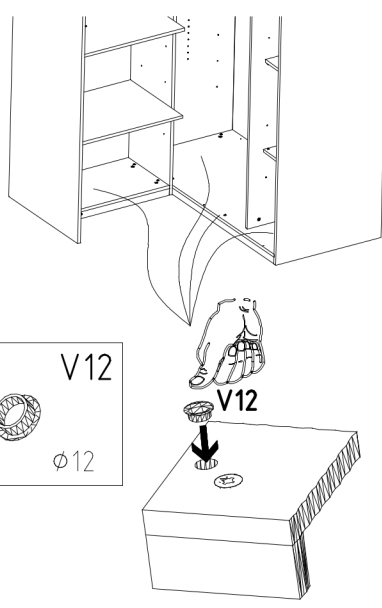
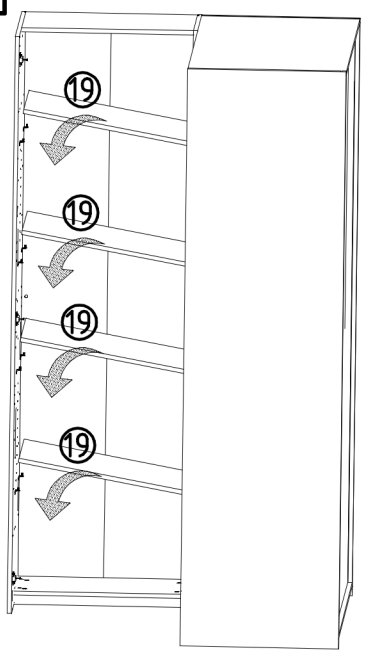
22

23

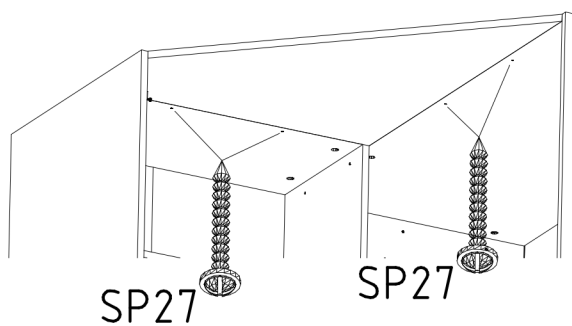


24

25



26

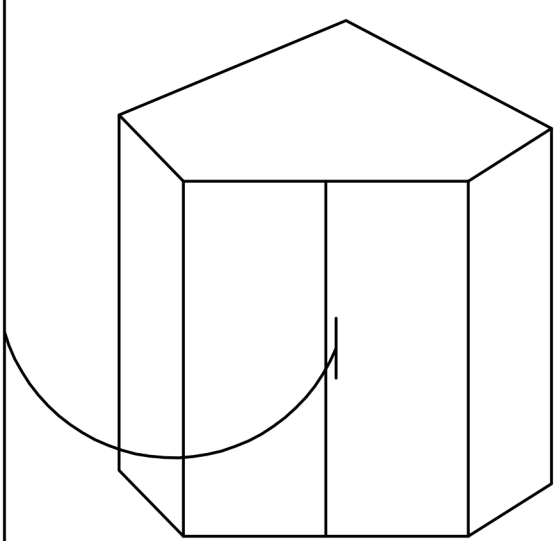
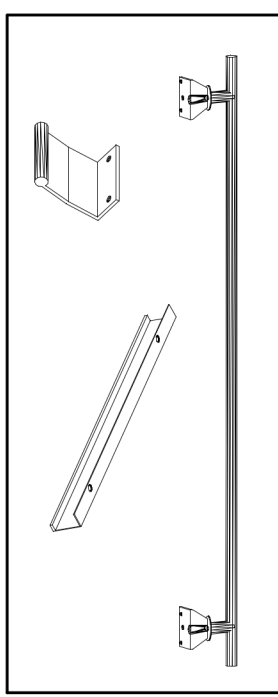
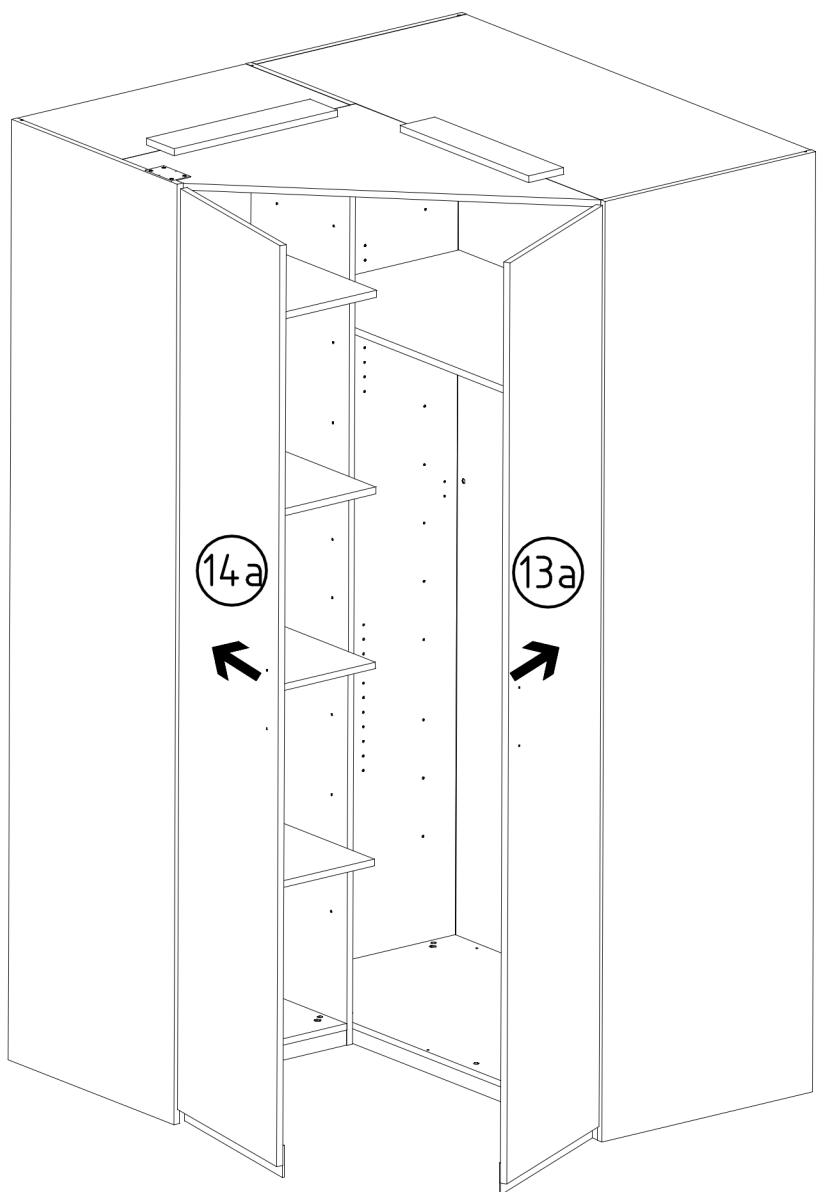
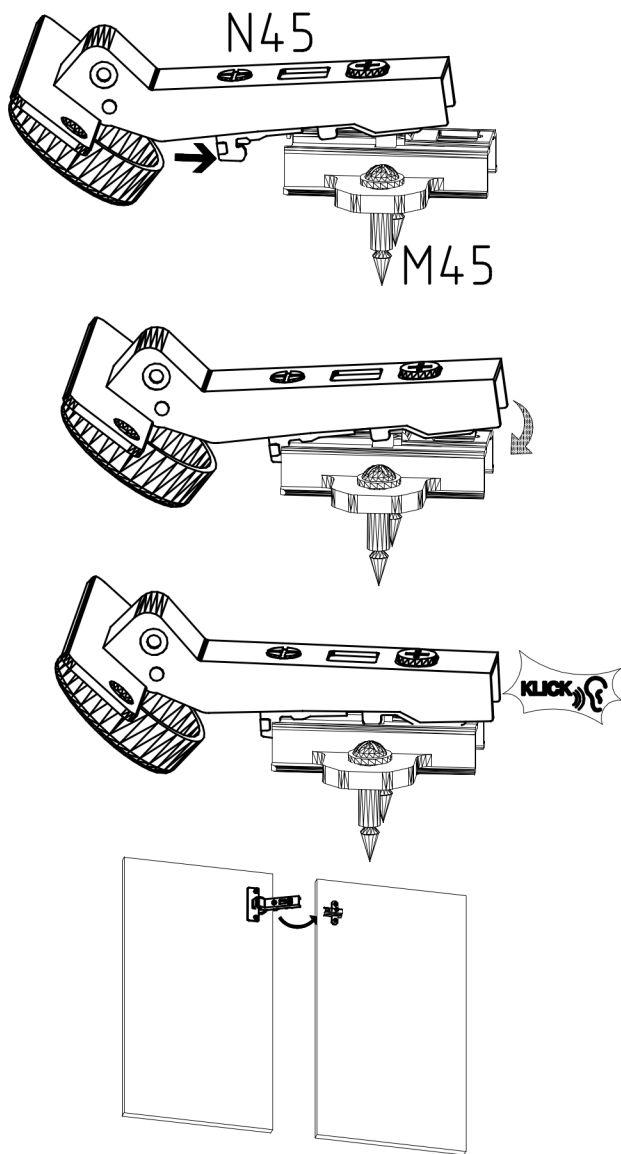


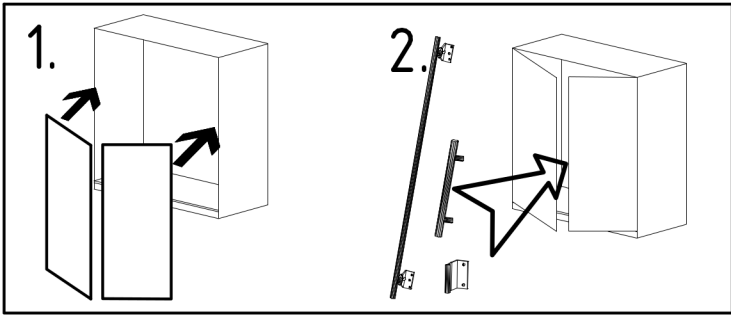
980330

31.03.16 / 25.10.17

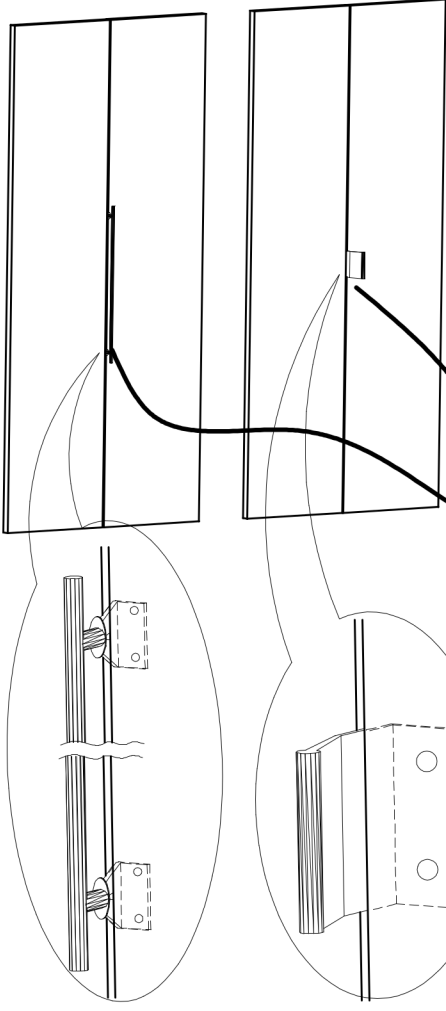
10 17

11/15

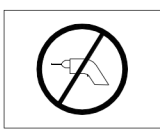
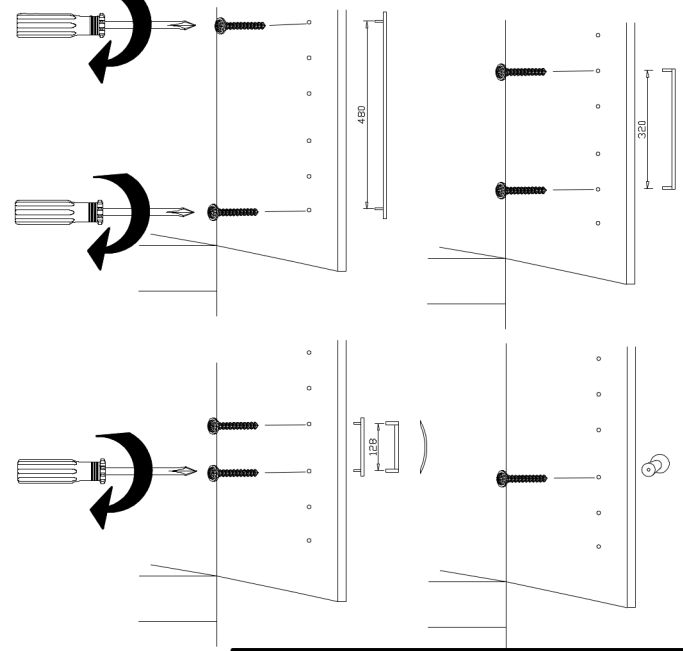
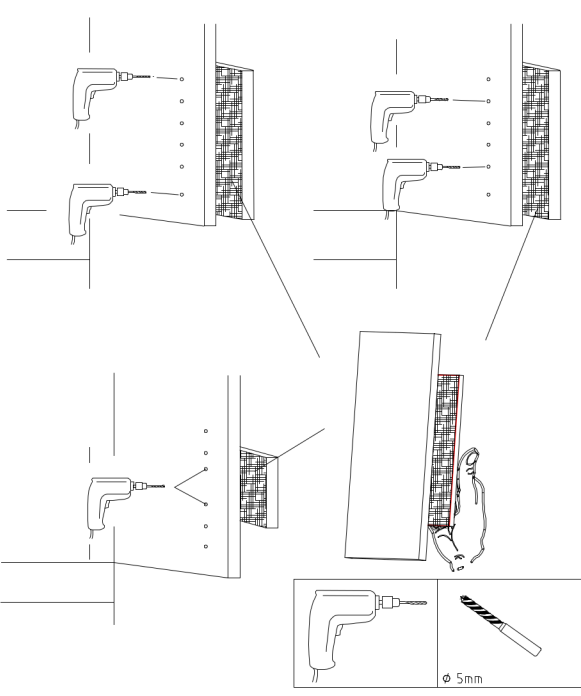
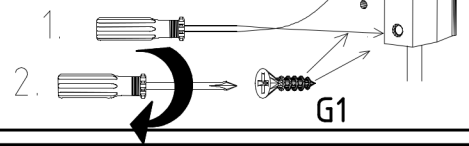
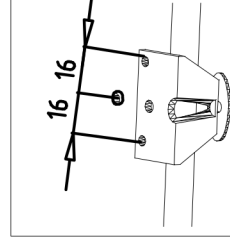
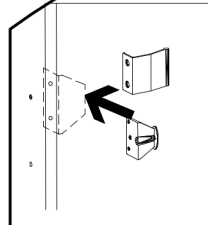
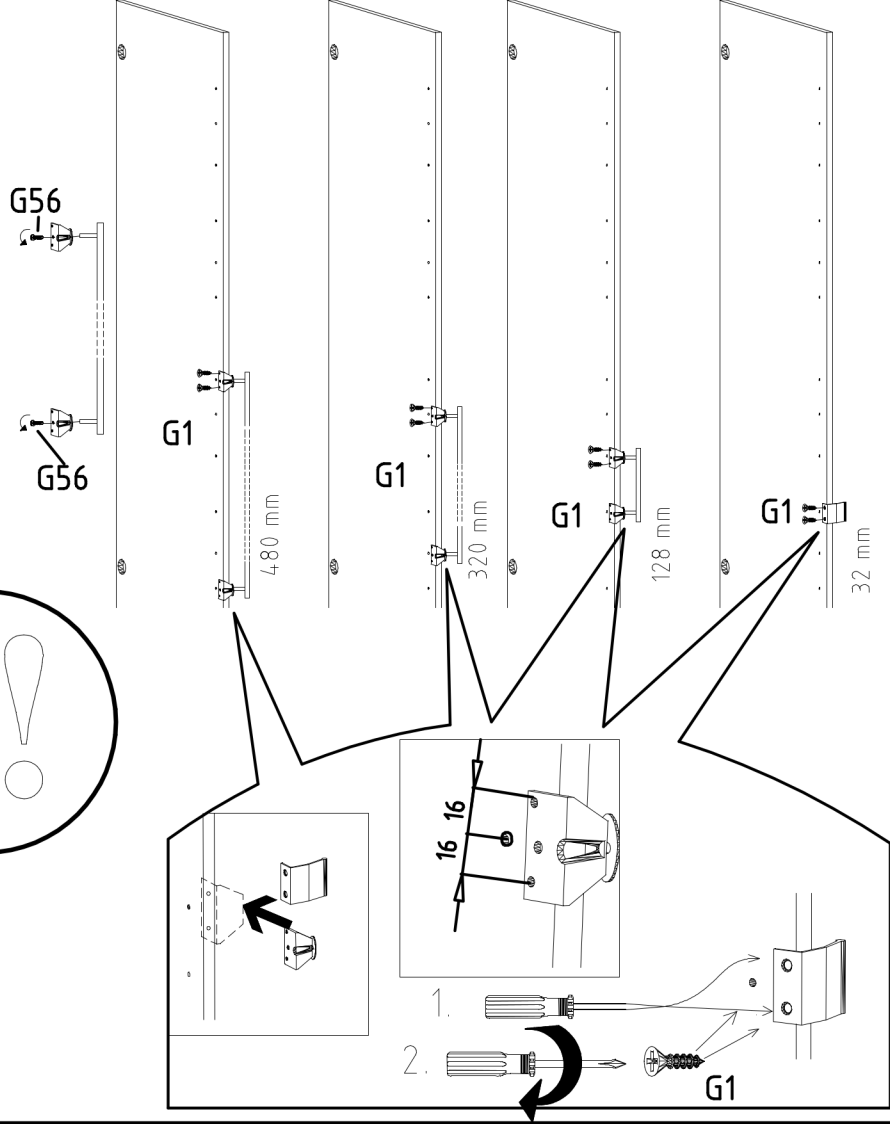




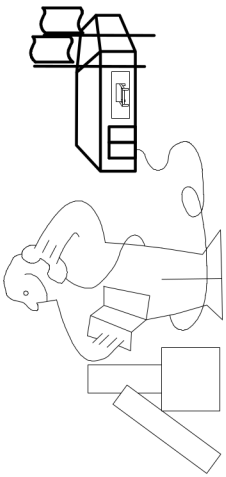
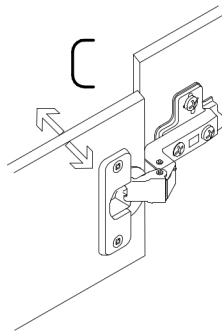
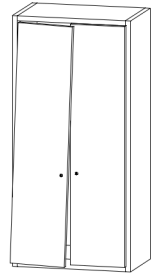
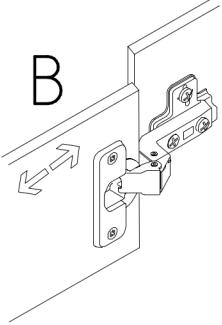
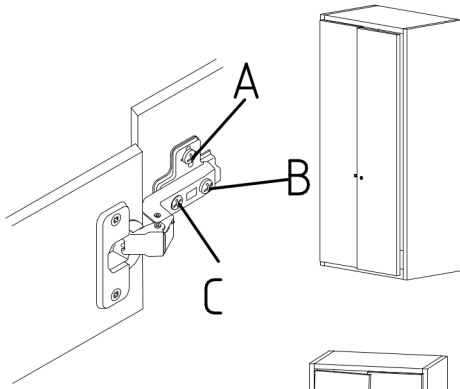
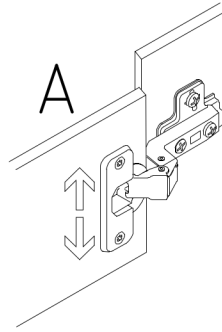
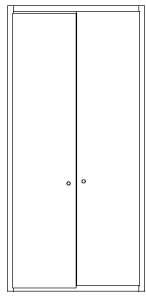
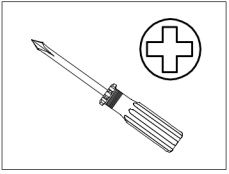
3,5 x 15 mm 121 370	G1	4,0 x 12 mm 122 625	G56
------------------------	----	------------------------	-----



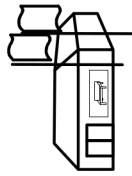
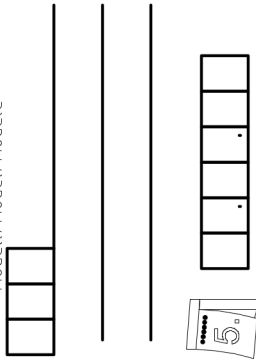
1x !

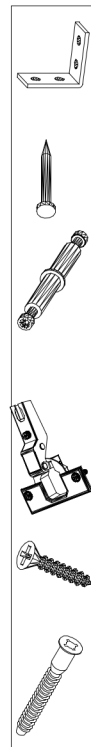
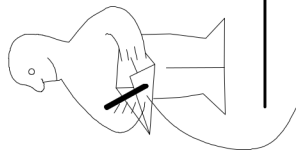
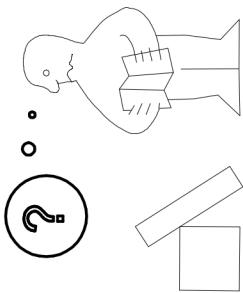


SP27 4 X 27mm 122620 4,0x22 122 609	G49
---	-----



Modell/Model/Modèle





(121 370)	(G 1)	(4x)				

ZB 980502

SP27
4 X 27mm
122620

10x

