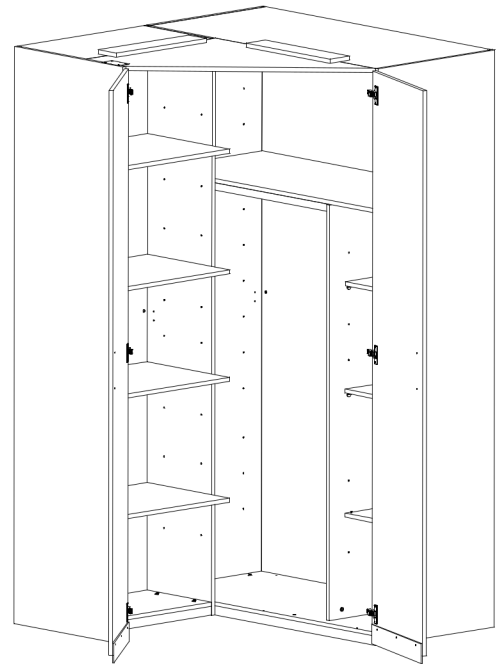
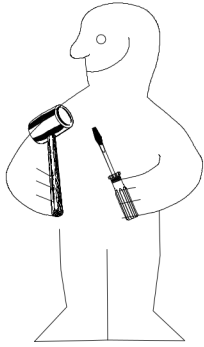
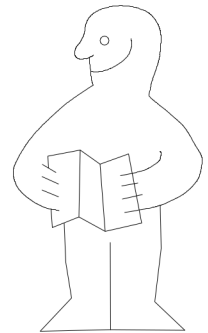
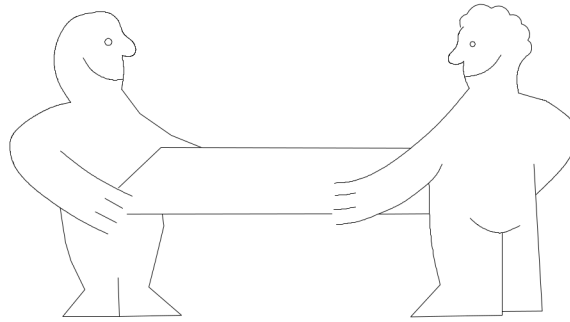
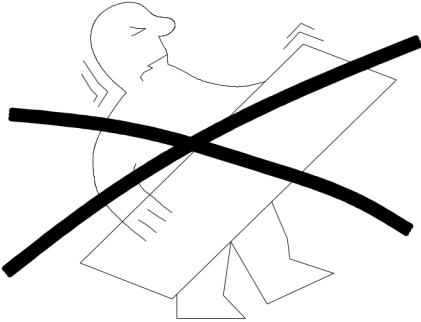


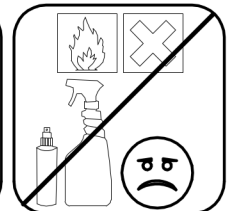
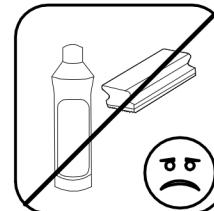
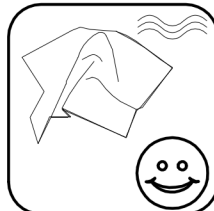
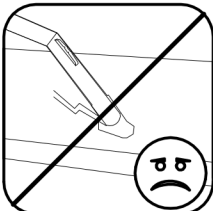
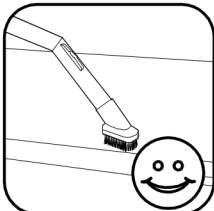
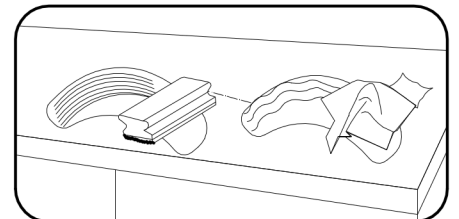
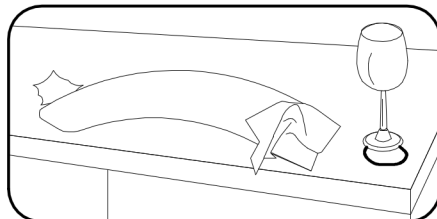
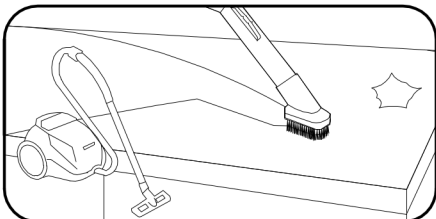
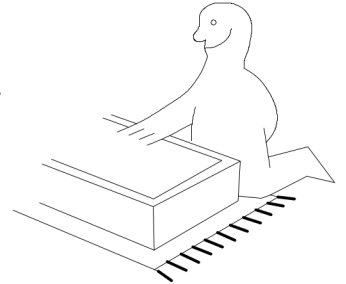
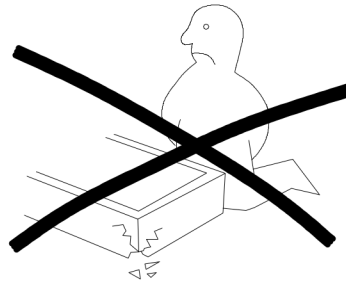
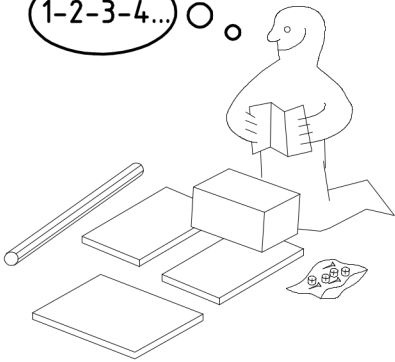
980330



NSP



1-2-3-4... ○ ○

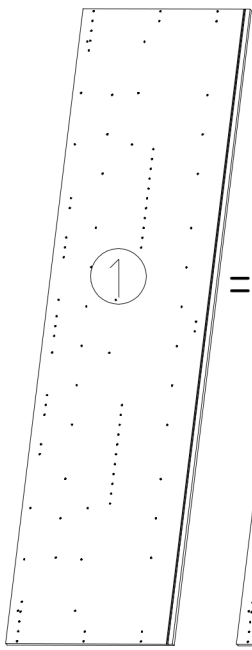


980330

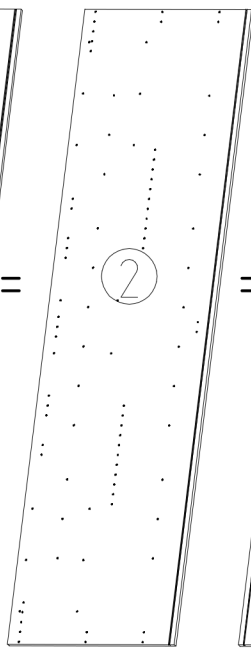
31.03.16 / 25.10.17

10 17

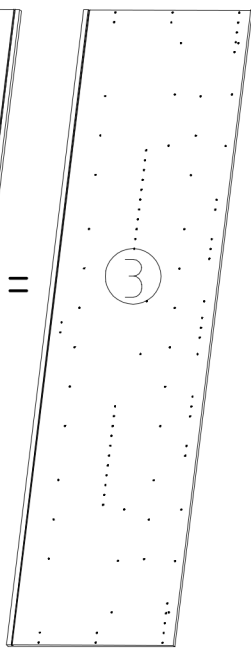
1/15



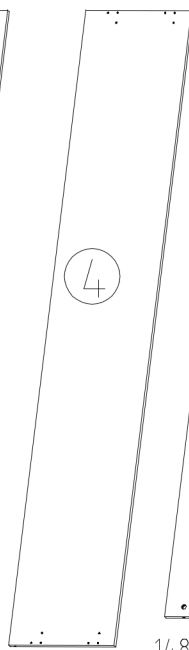
2064x560x15



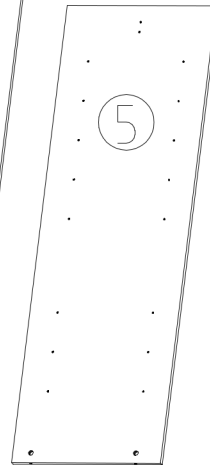
2064x560x15



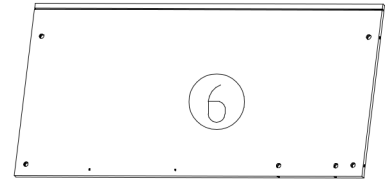
2064x560x15



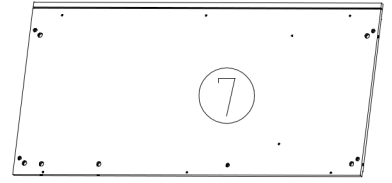
2064x354x15



1486x500x15



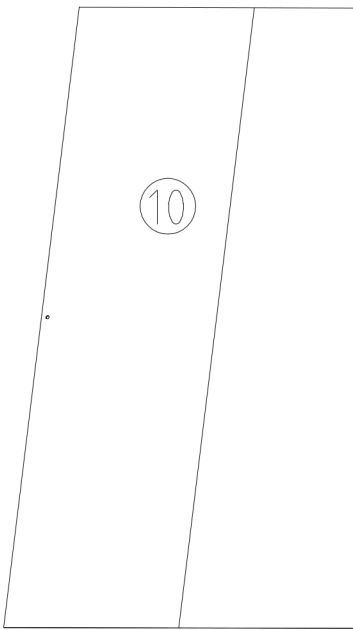
1167x560x15



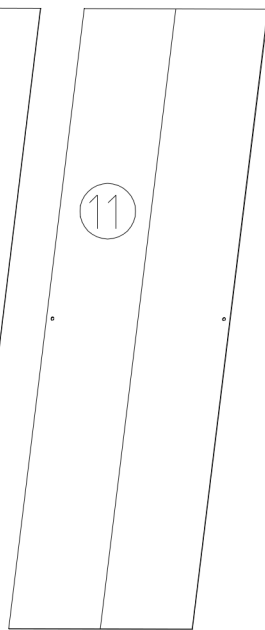
1167x560x15



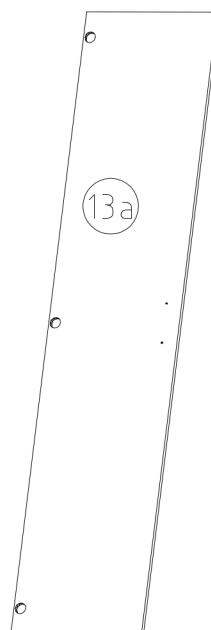
1167x33x15



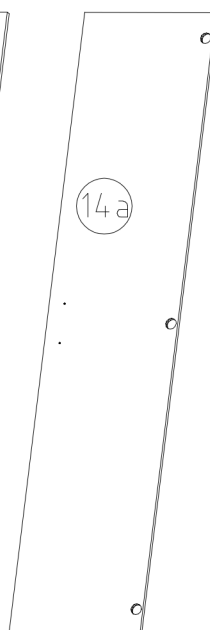
2015x1176x2,5



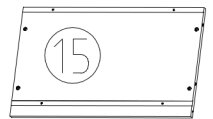
2015x616x2,5



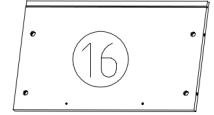
2021x439x15



2021x439x15



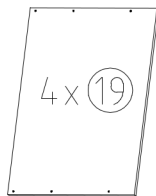
607x354x15



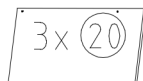
607x354x15



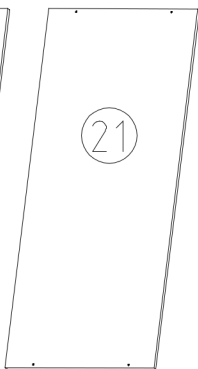
607x33x15



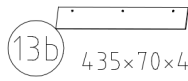
607x425x18



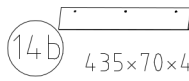
279x425x18



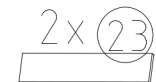
1167x500x18



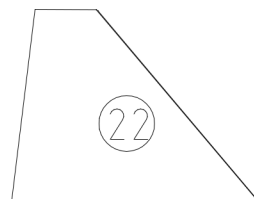
435x70x4



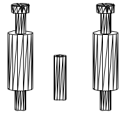
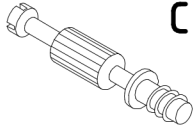
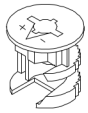
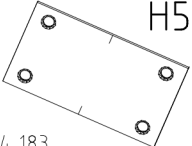
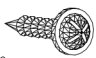
435x70x4



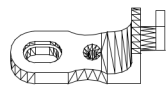
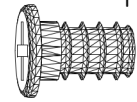
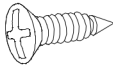


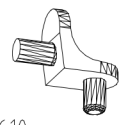
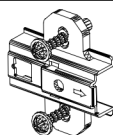
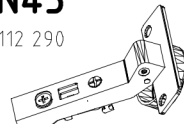
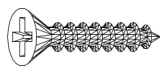


435x93x15

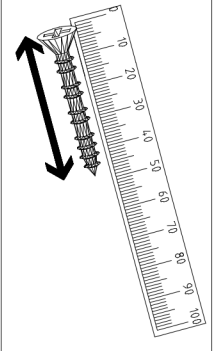
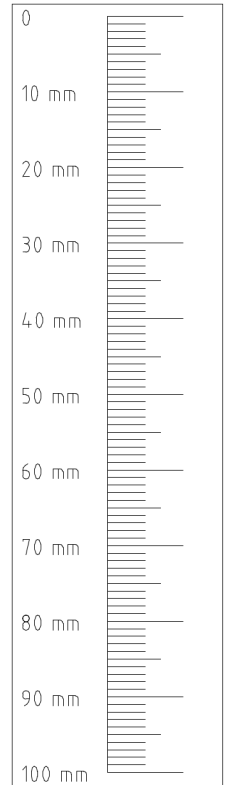


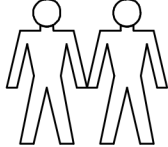
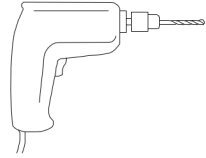


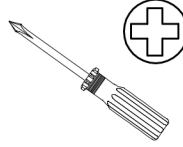
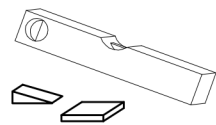
828x622x15

|   |     |
|---|-----|
| <br>F3               | 4x  |
| <br>C                 | 14x |
| <br>A                | 22x |
| <br>H5               | 1x  |
| <br>4 X 15mm<br>SP15 | 5x  |

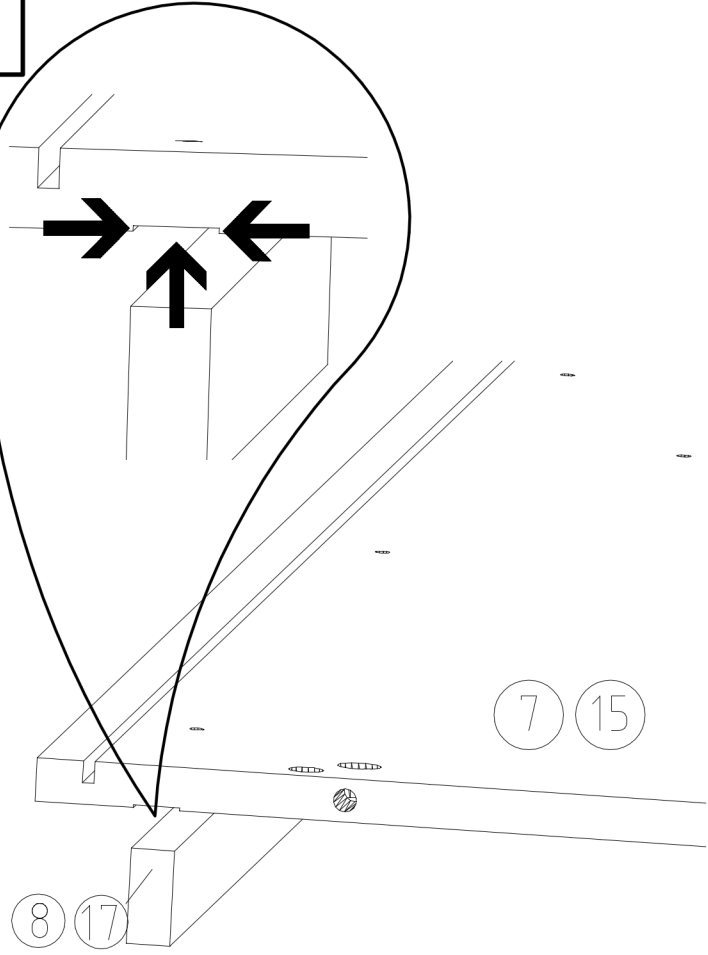
|  |     |
|--|-----|
| <br>K2                | 2x  |
| <br>870mm<br>K20      | 1x  |
| <br>J1                | 5x  |
| <br>M6 x 11 mm<br>T6  | 4x  |
| <br>3,5 x 15 mm<br>G1 | 24x |

|  |     |
|--|-----|
| <br>L7                 | 32x |
| <br>M45                | 6x  |
| <br>N45                | 6x  |
| <br>3,5 x 35 mm<br>G14 | 10x |
| <br>4 X 27mm<br>SP27   | 18x |
| <br>V12<br>φ12        | 9x  |

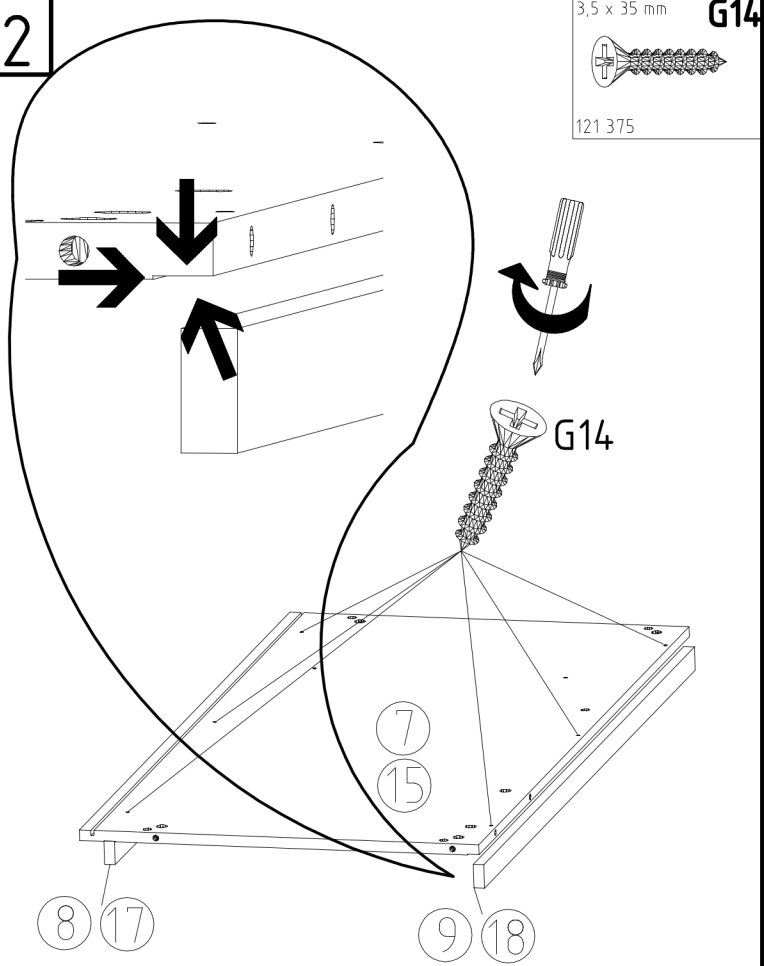


|   |   |  |
|---|---|--|
|  |  | <br>φ 10mm |
|  |  |            |

1



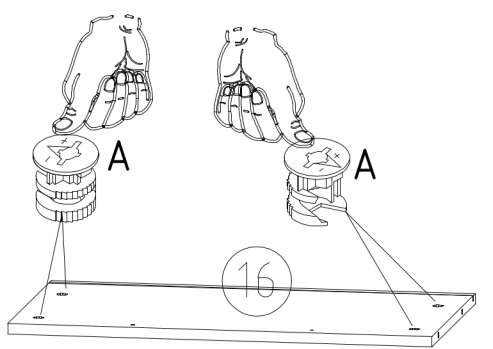
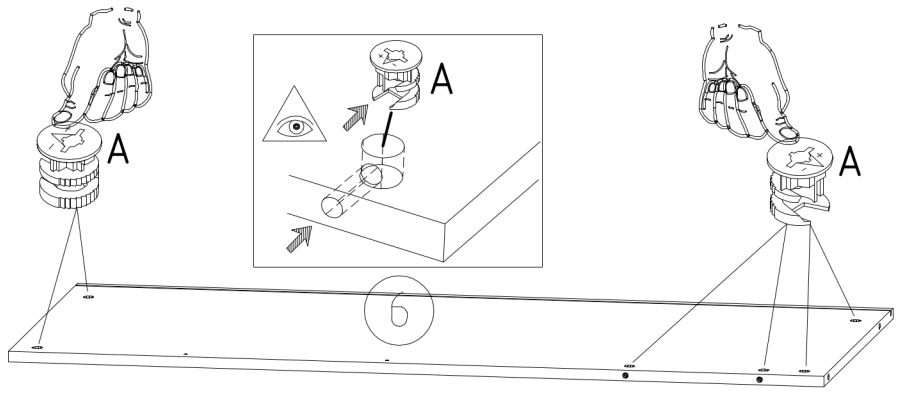
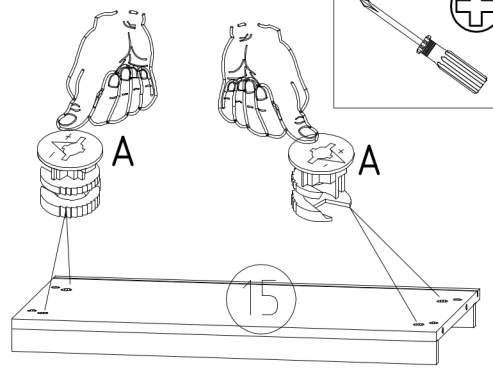
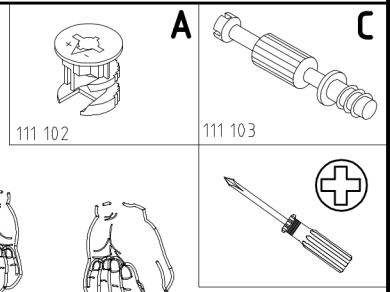
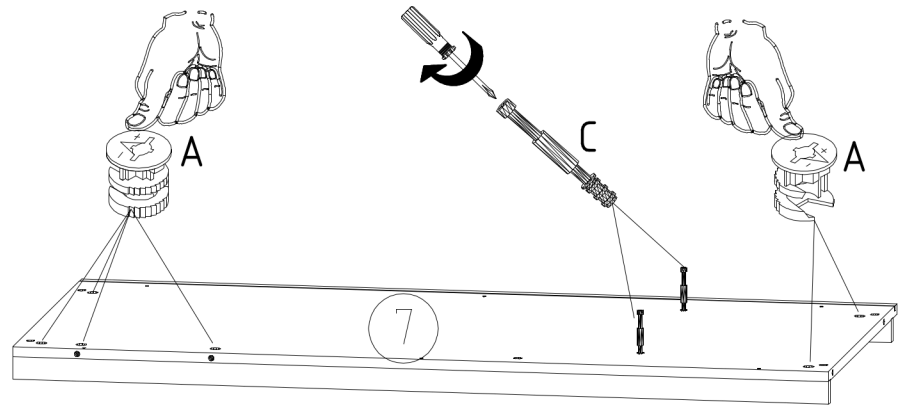
2



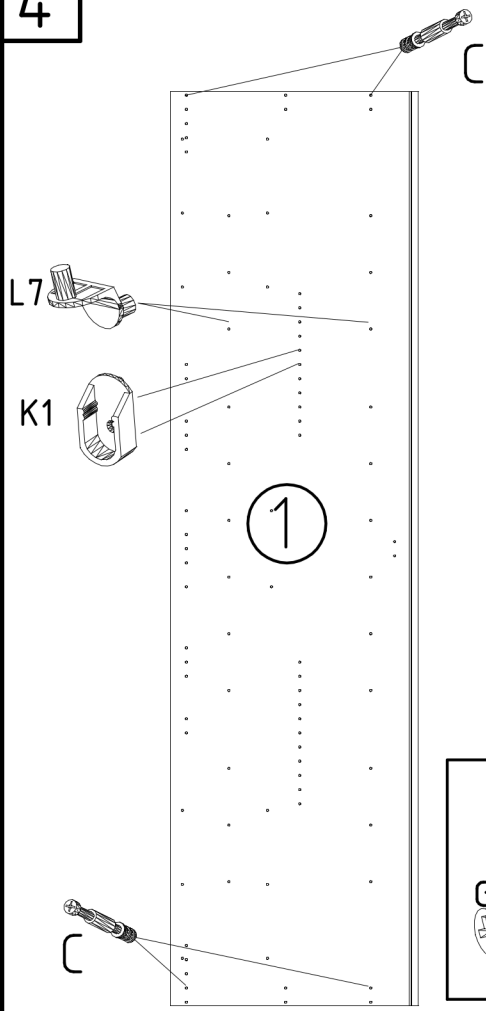
3,5 x 35 mm **G14**  
121 375




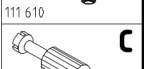
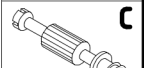


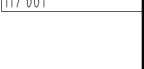
3

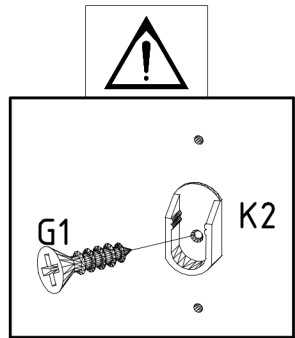
7+8+9      15+17+18



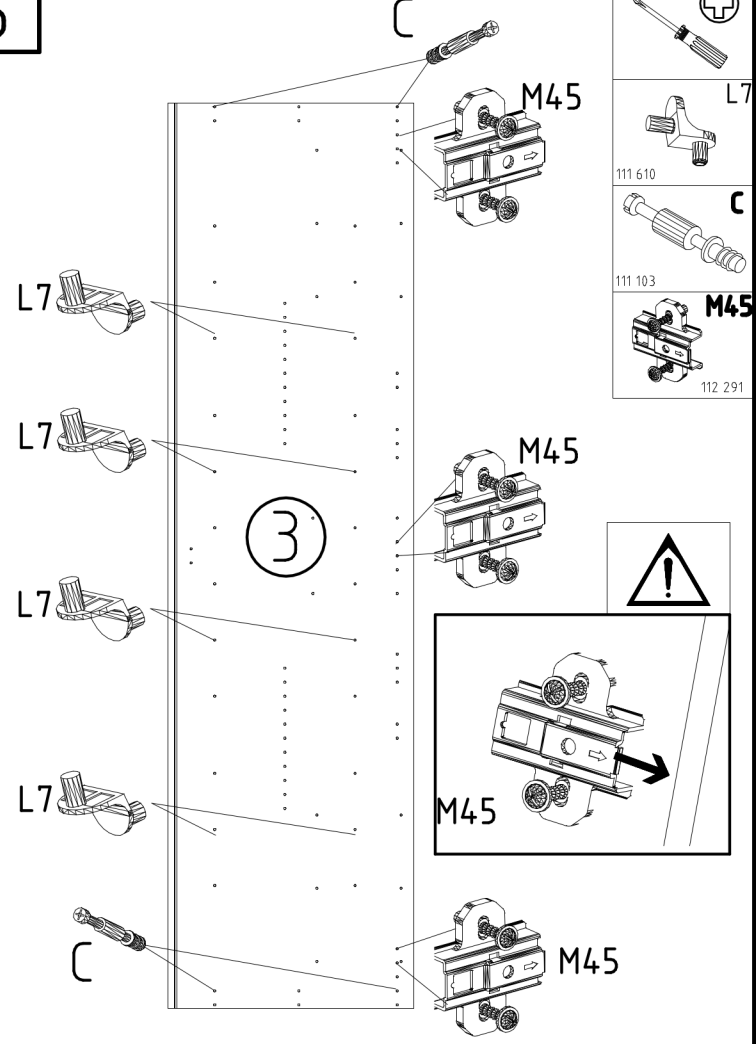
4



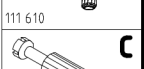
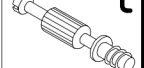





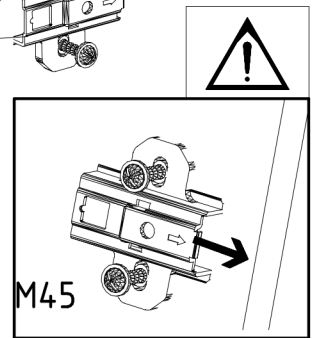
-  3,5 x 15 mm G1
-  121 370
-  L7
-  111 610
-  C
-  111 103
-  K1
-  117 001



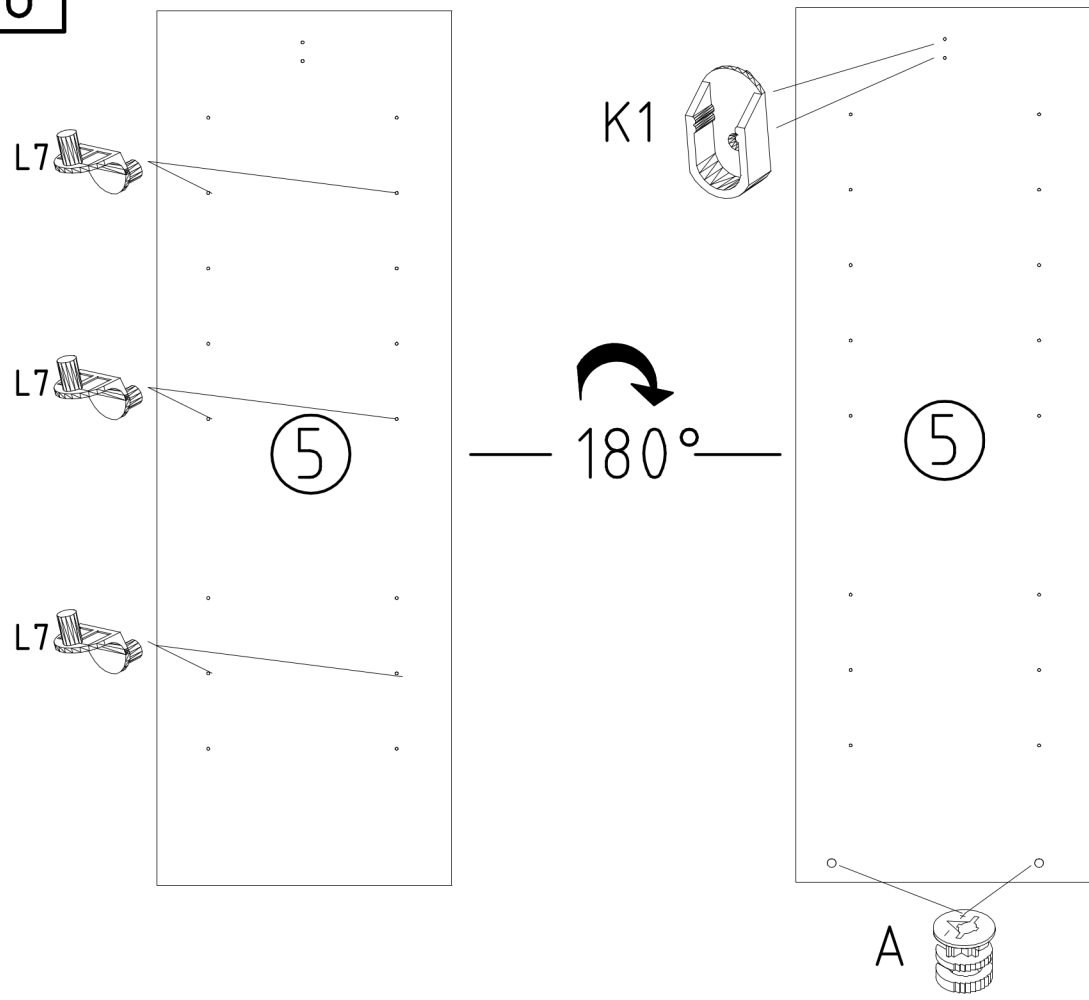
5




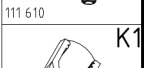



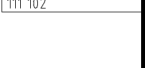


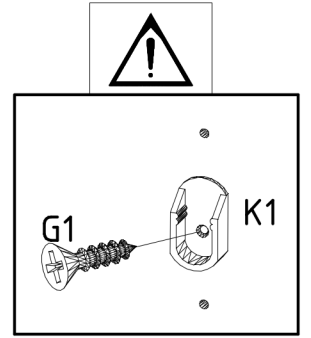
-  3,5 x 15 mm G1
-  L7
-  111 610
-  C
-  111 103
-  M45
-  112 291



6

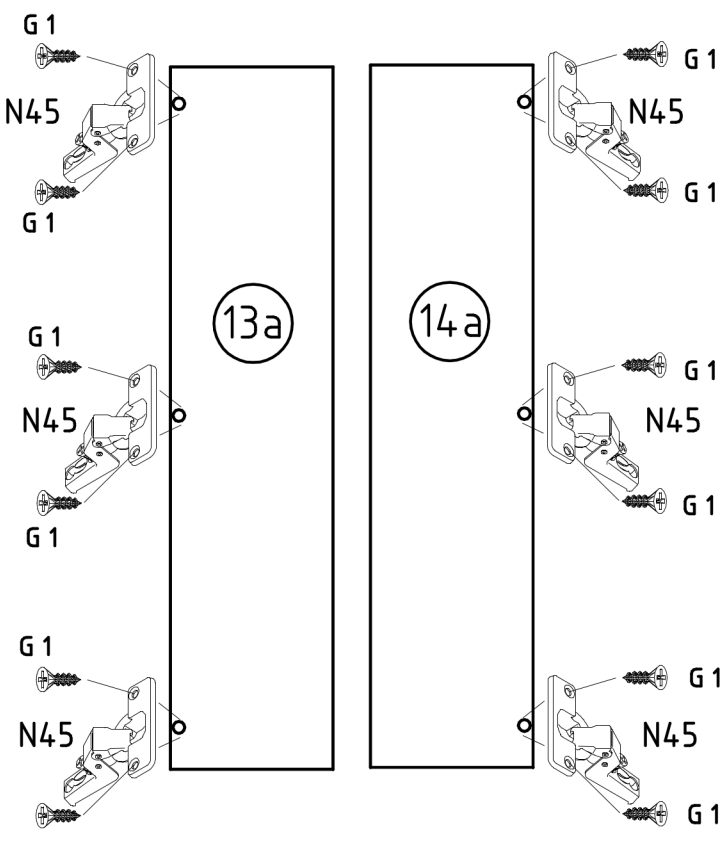


-  3,5 x 15 mm G1
-  121 370
-  L7
-  111 610
-  K1
-  117 001
-  A
-  111 102



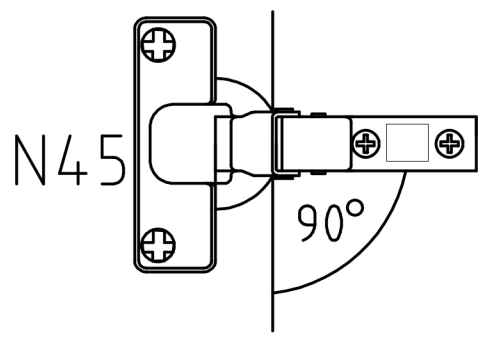


10



3,5 x 15 mm  
121 370

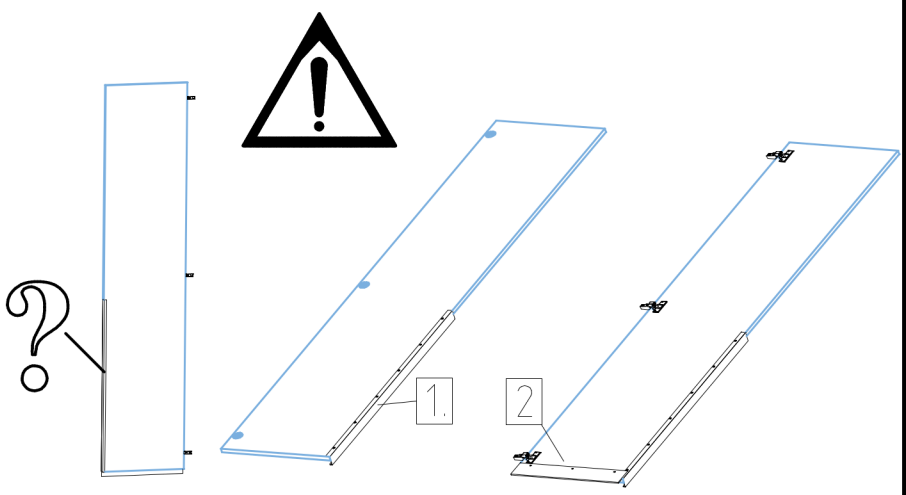
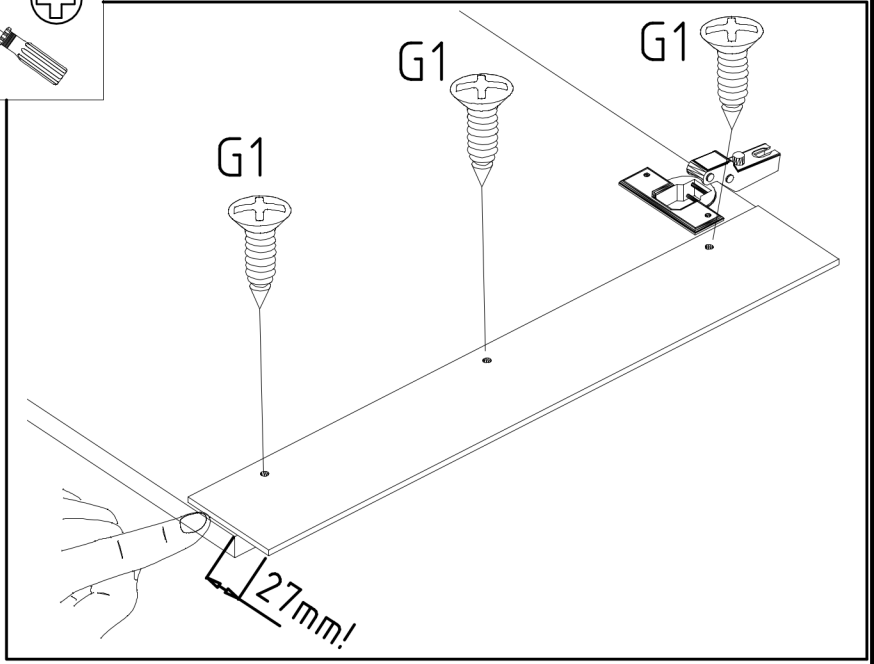
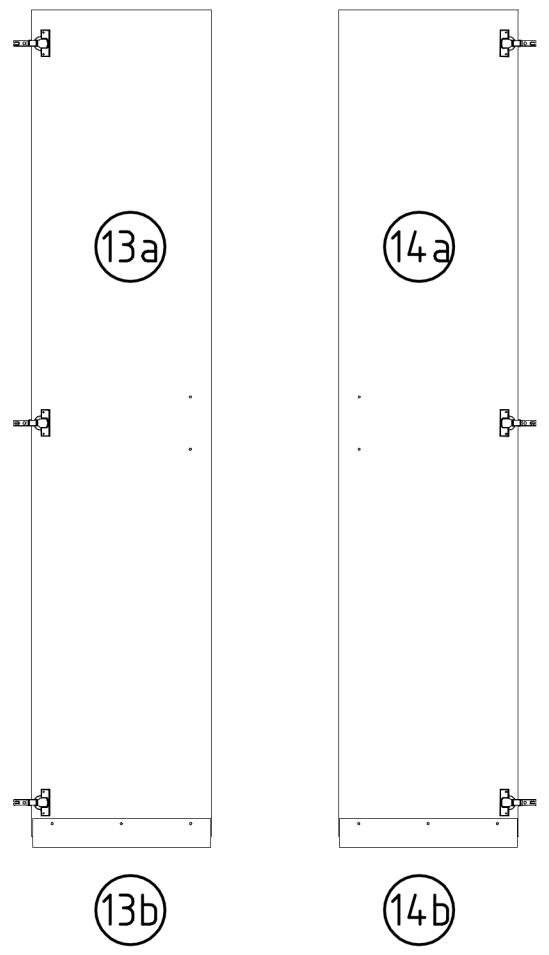
G1 N45  
112 290



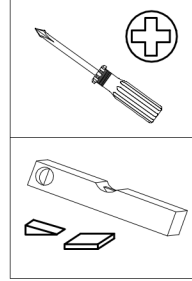
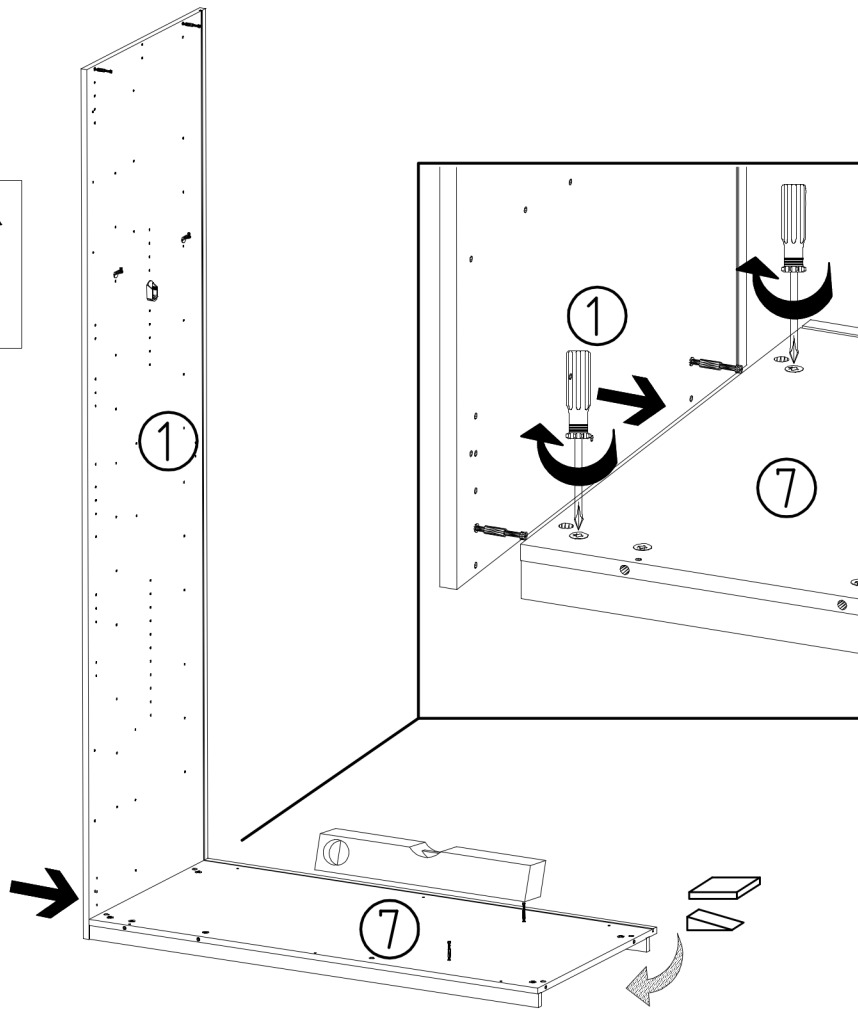
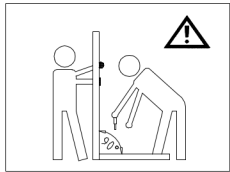
11

3,5 x 15 mm  
121 370

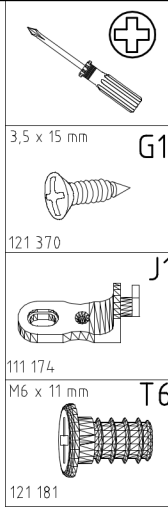
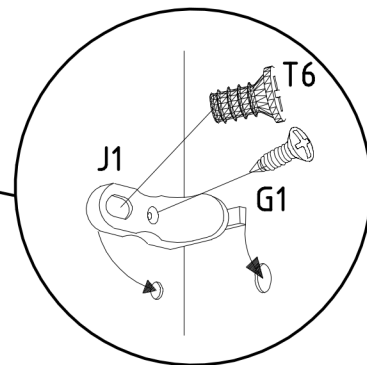
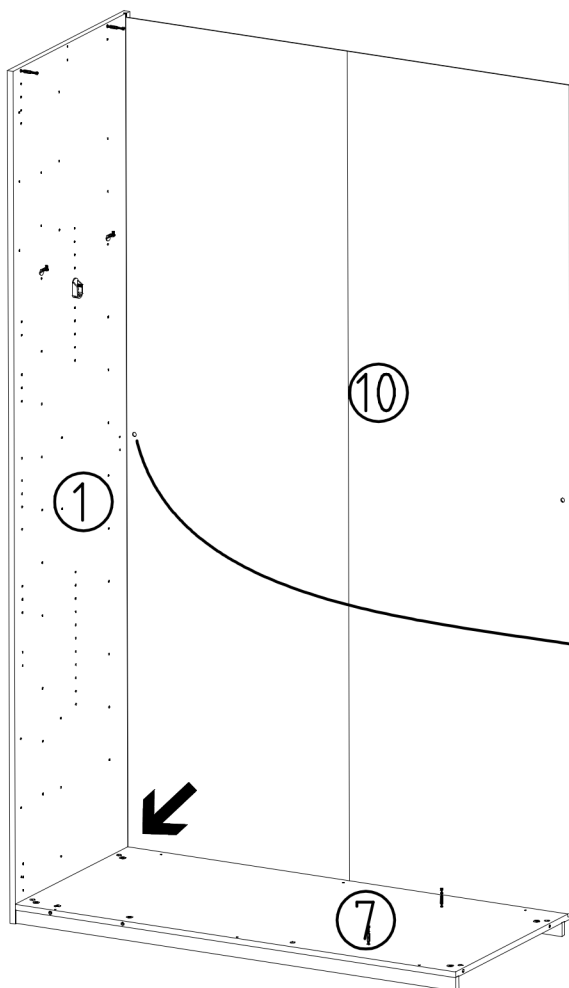
G1



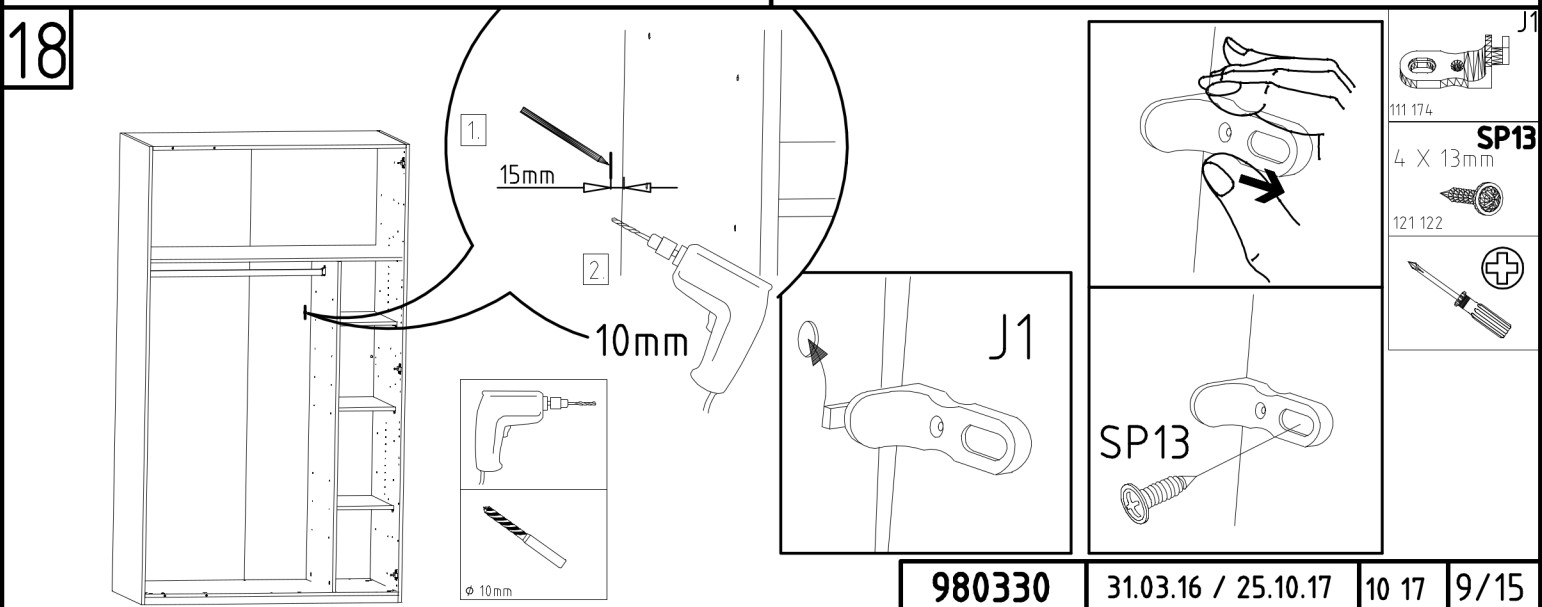
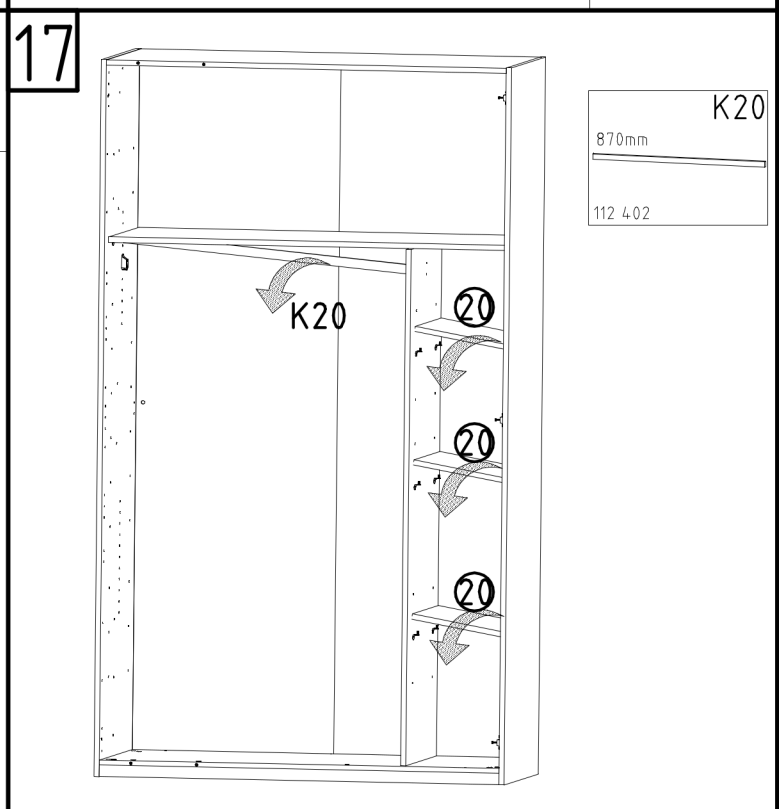
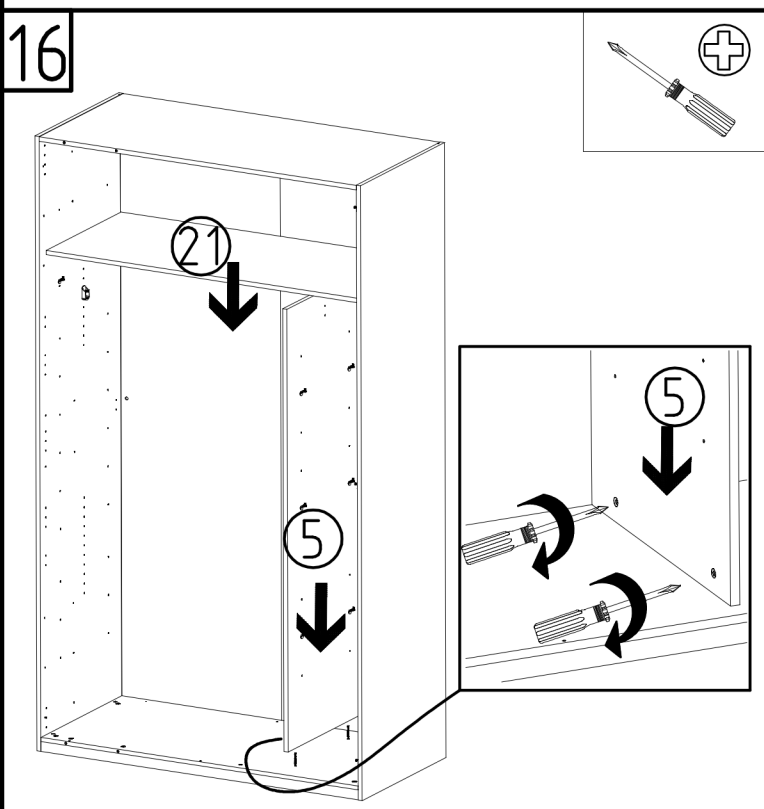
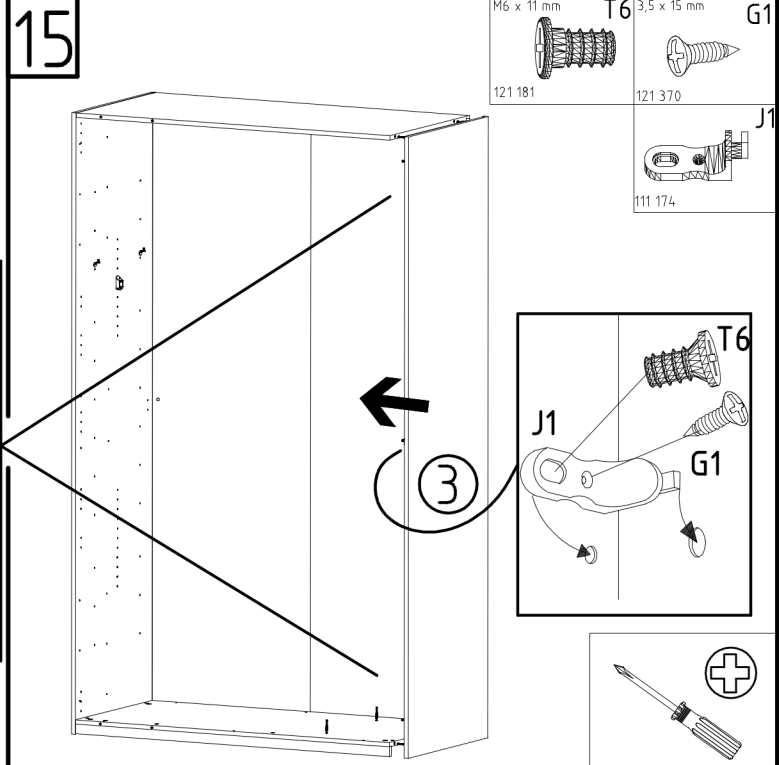
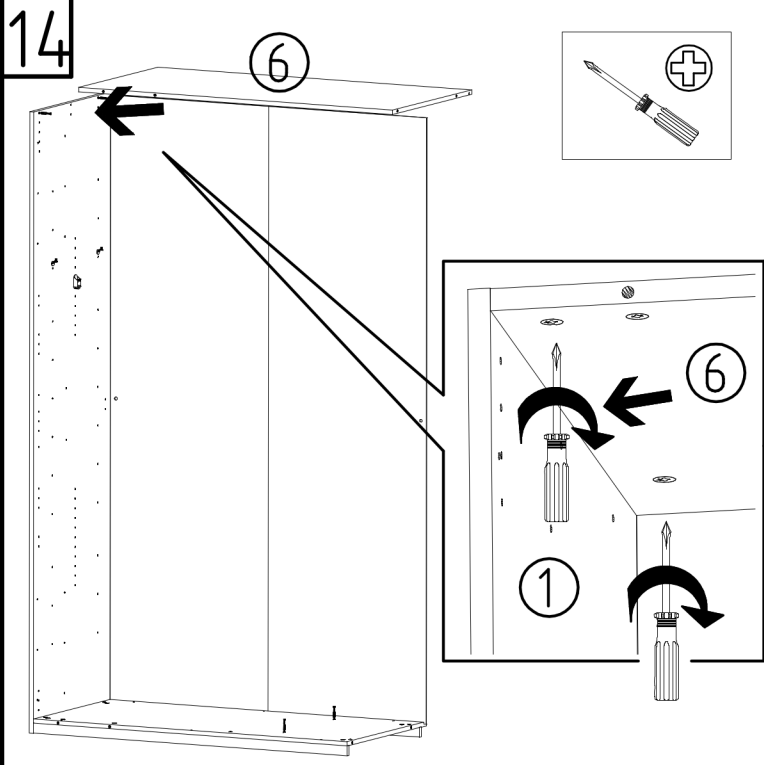
12



13

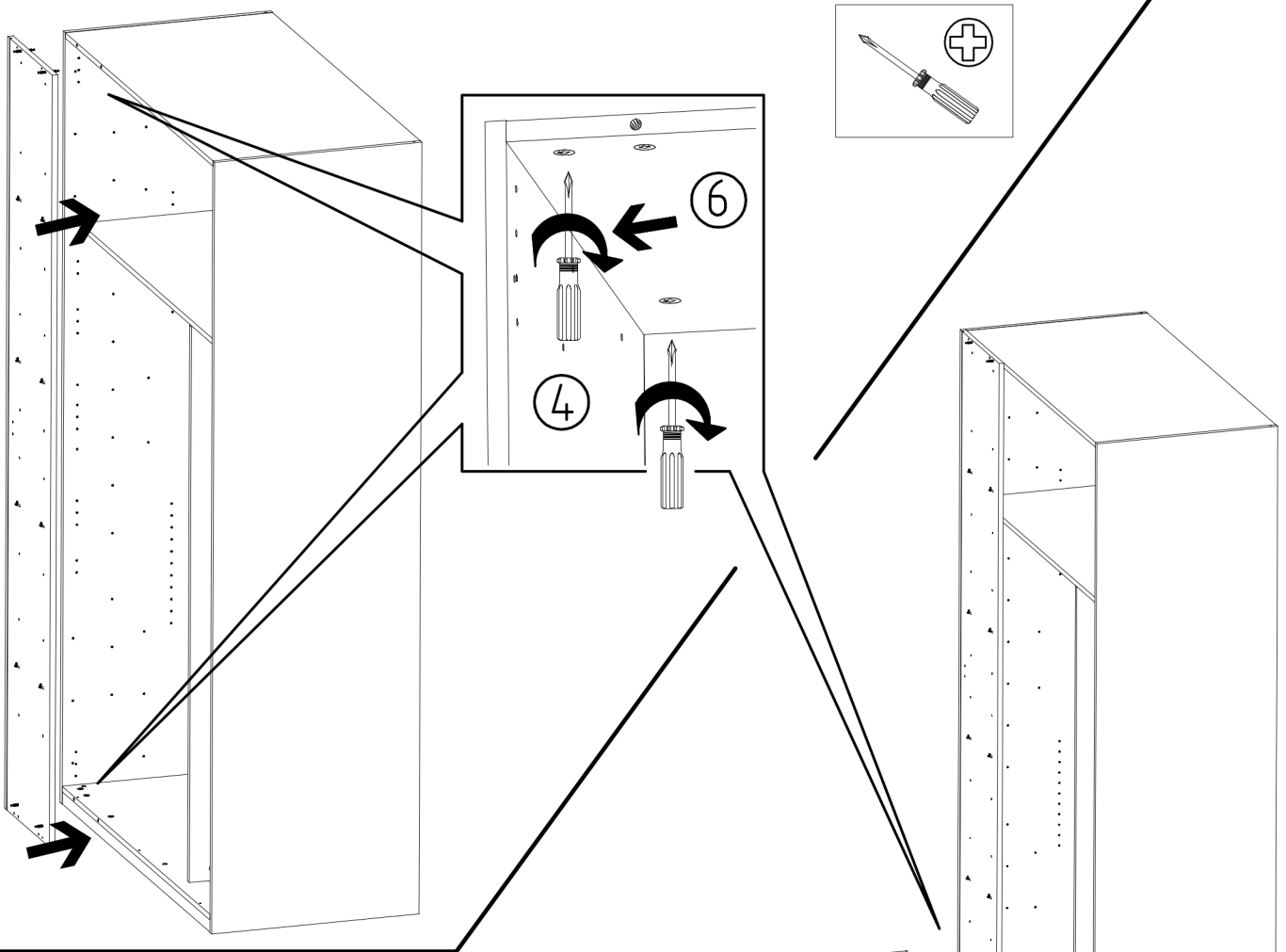






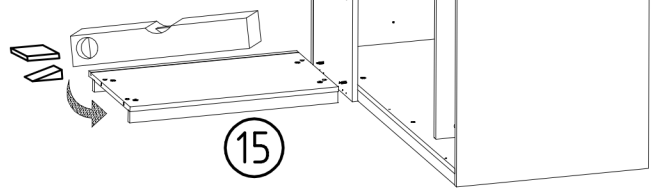
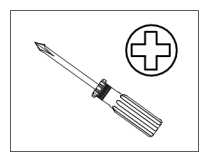
19

4



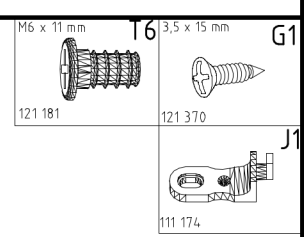
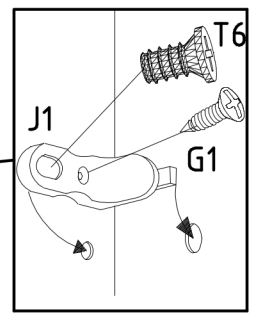
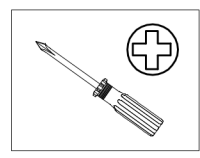
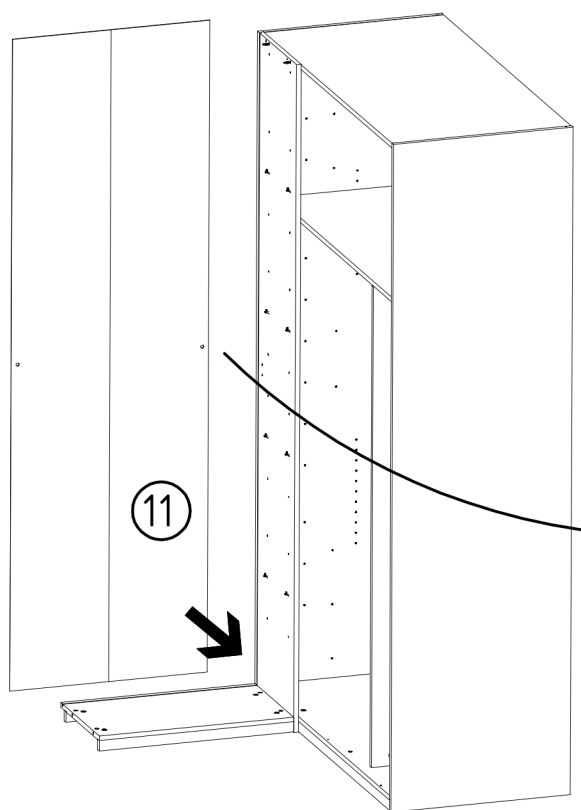
20

15



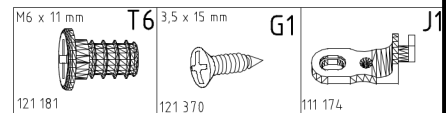
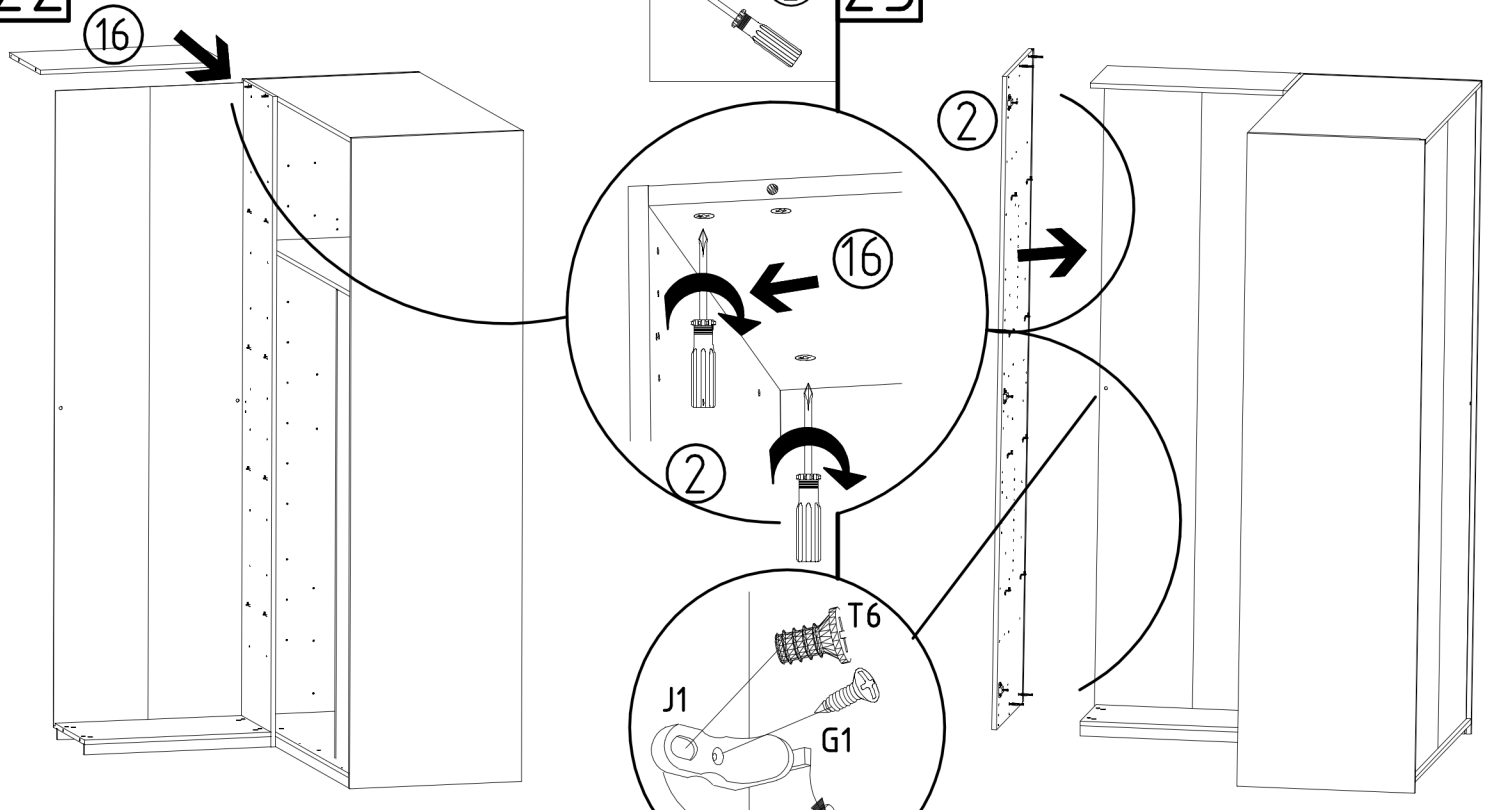
21

11

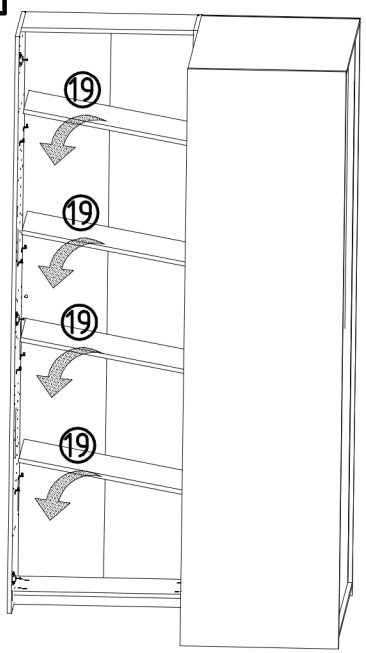


22

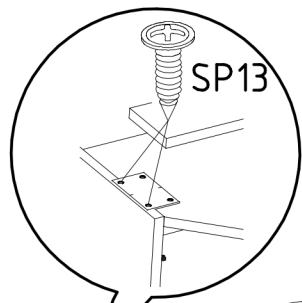
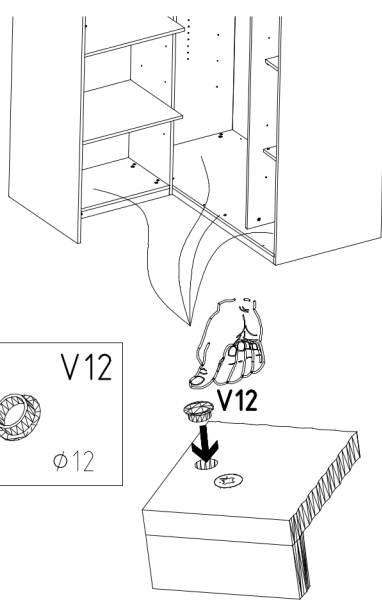
23



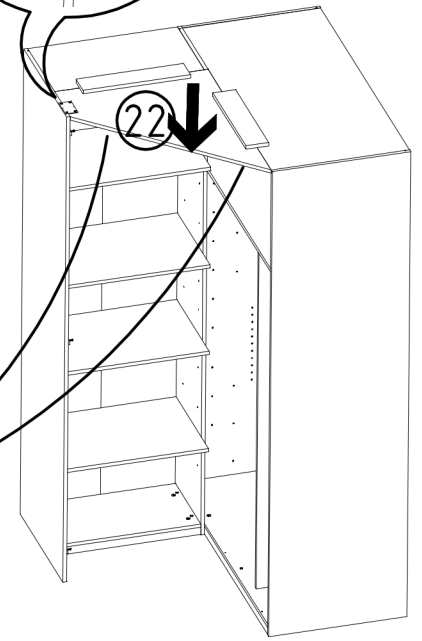
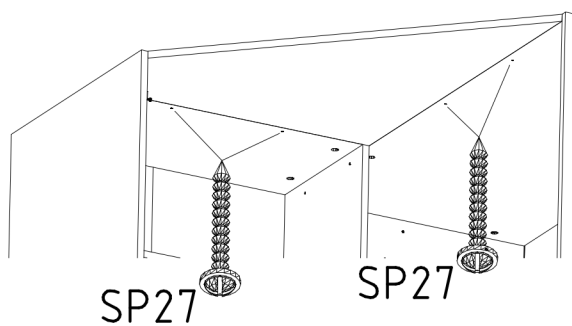
24

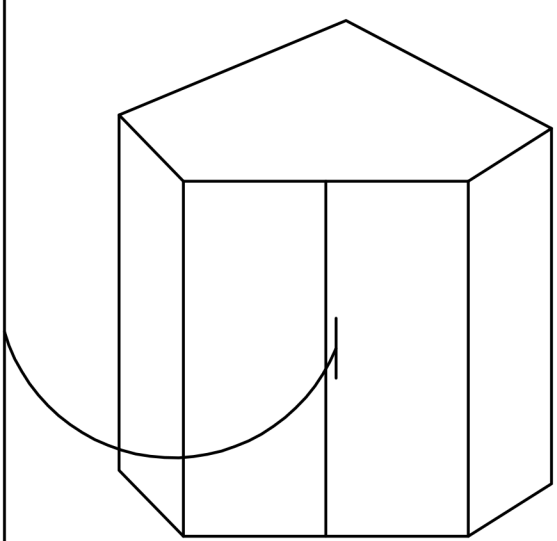
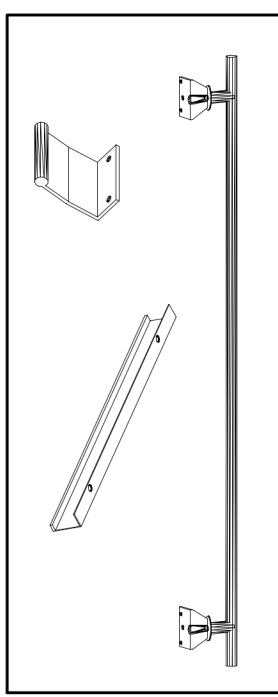
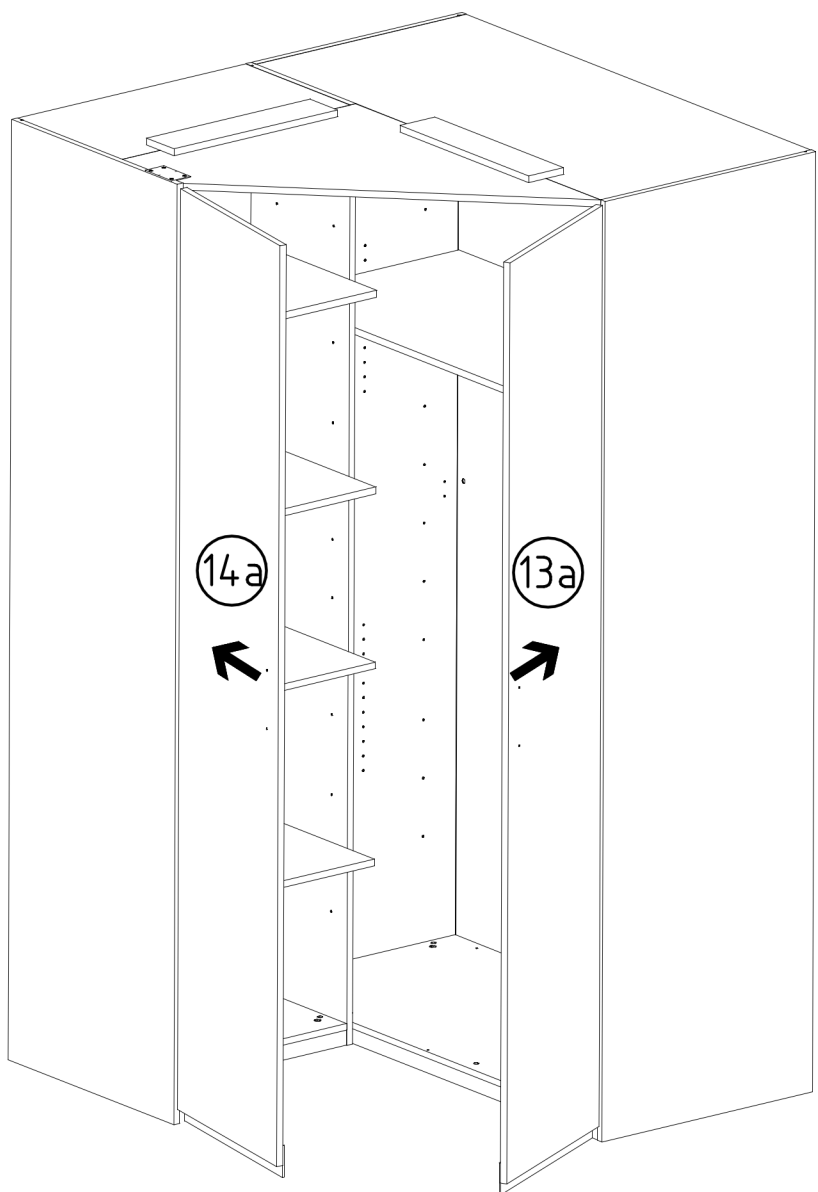
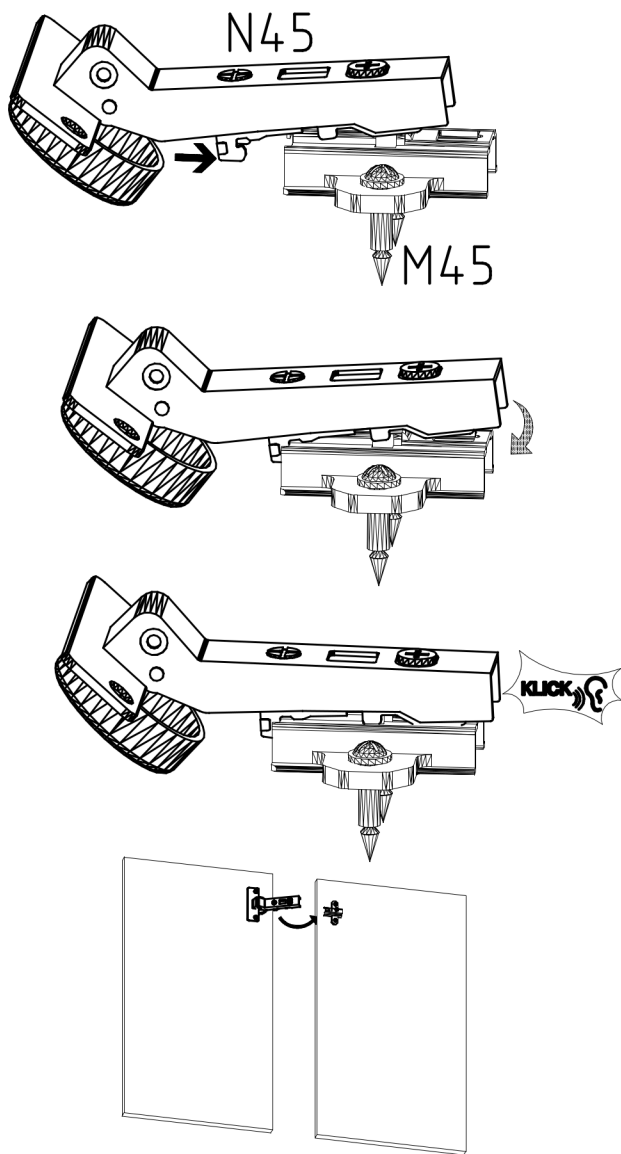


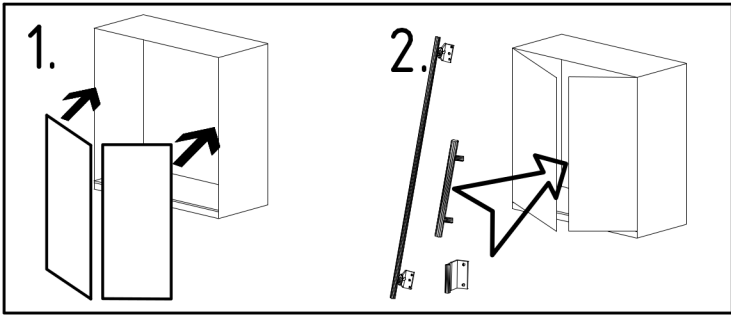
25



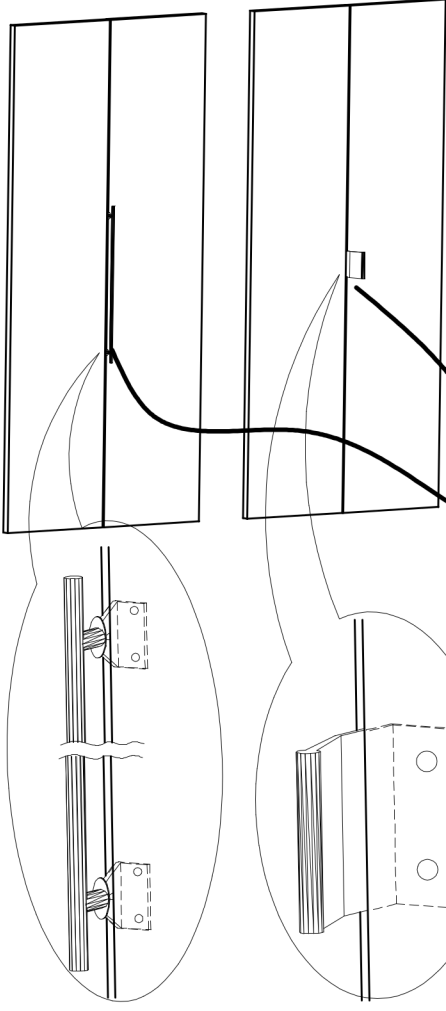
26



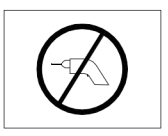
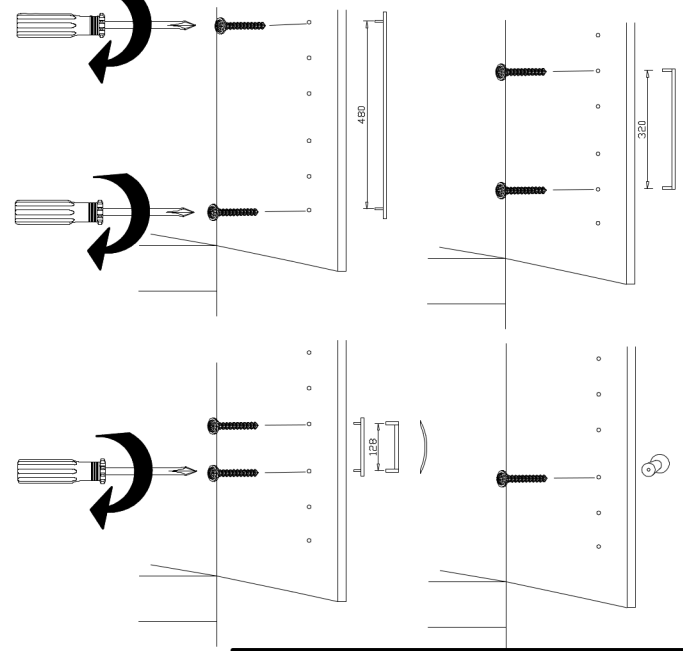
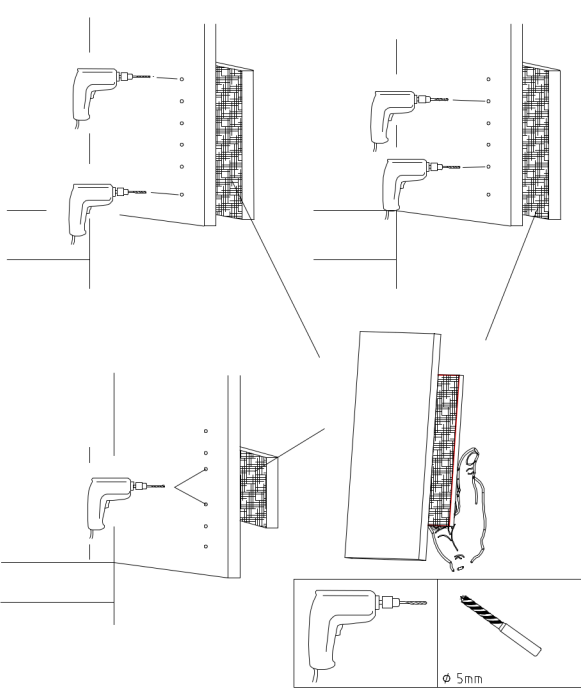
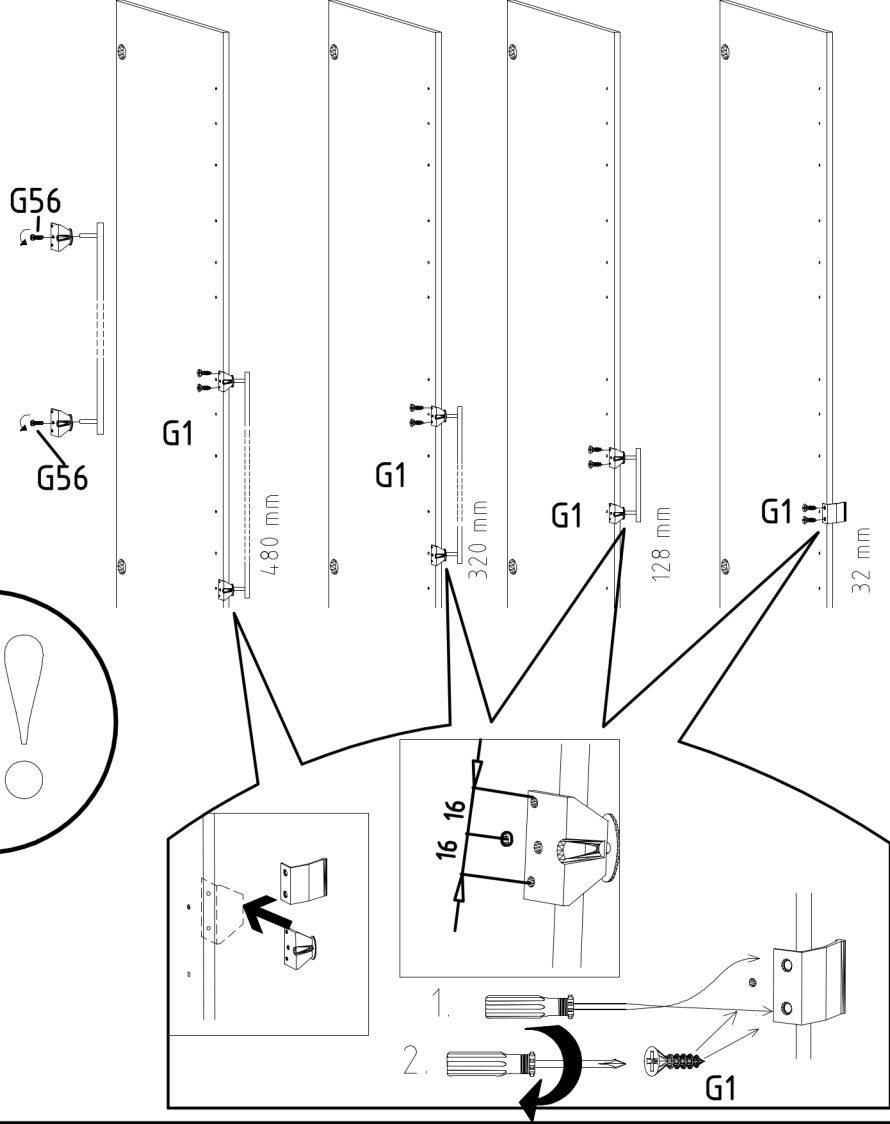




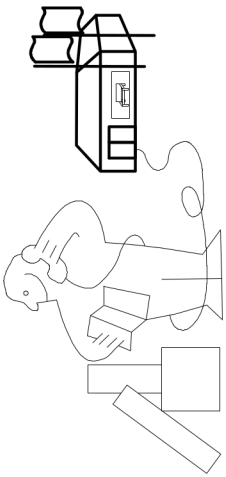
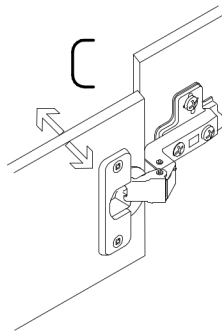
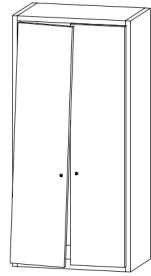
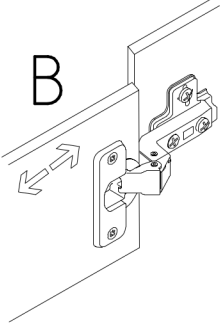
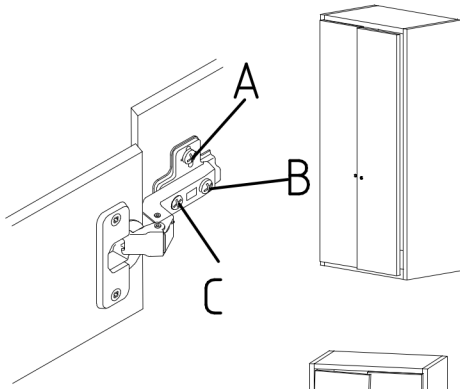
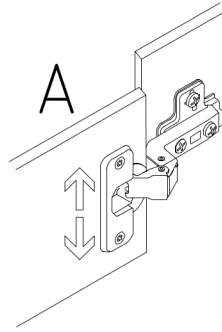
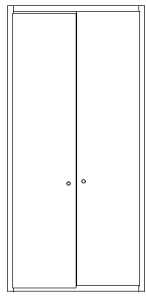
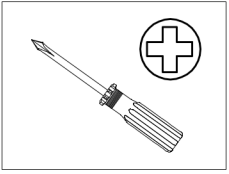
|                        |    |                        |     |
|------------------------|----|------------------------|-----|
| 3,5 x 15 mm<br>121 370 | G1 | 4,0 x 12 mm<br>122 625 | G56 |
|------------------------|----|------------------------|-----|



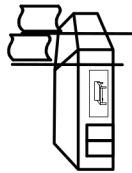
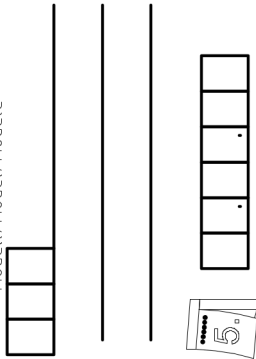
1x !



|          |      |
|----------|------|
|          | SP27 |
| 4 X 27mm |      |
| 122620   |      |
| 4,0x22   | G49  |
|          |      |
| 122 609  |      |



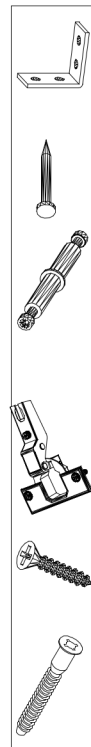
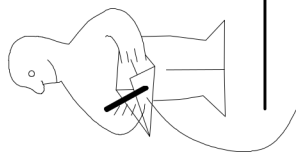
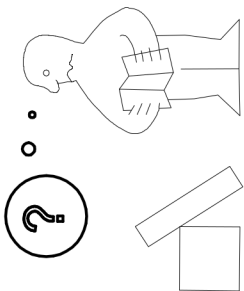
Modell/Model/Modèle



\_\_\_\_\_

\_\_\_\_\_

\_\_\_\_\_



|           |         |      |  |  |  |  |
|-----------|---------|------|--|--|--|--|
| (121 370) | ( G 1 ) | (4x) |  |  |  |  |
|           |         |      |  |  |  |  |
|           |         |      |  |  |  |  |
|           |         |      |  |  |  |  |
|           |         |      |  |  |  |  |

# ZB 980502

SP27  
4 X 27mm  
122620

10x

