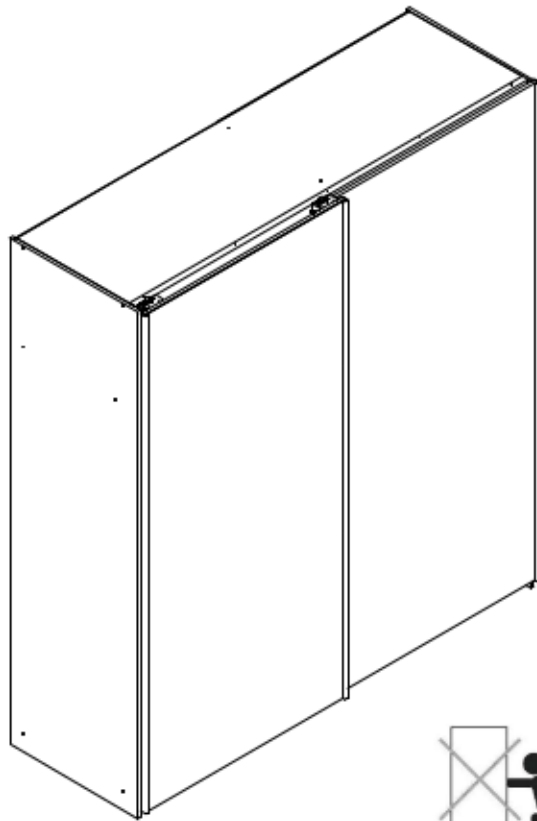
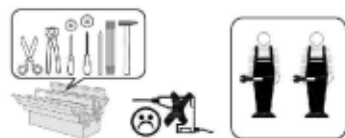


200

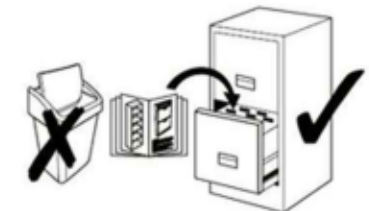
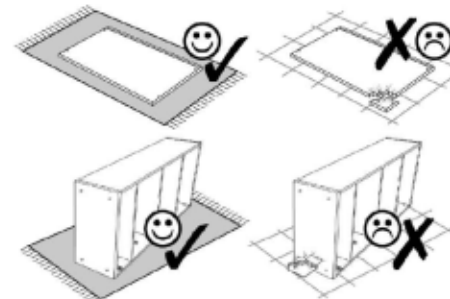
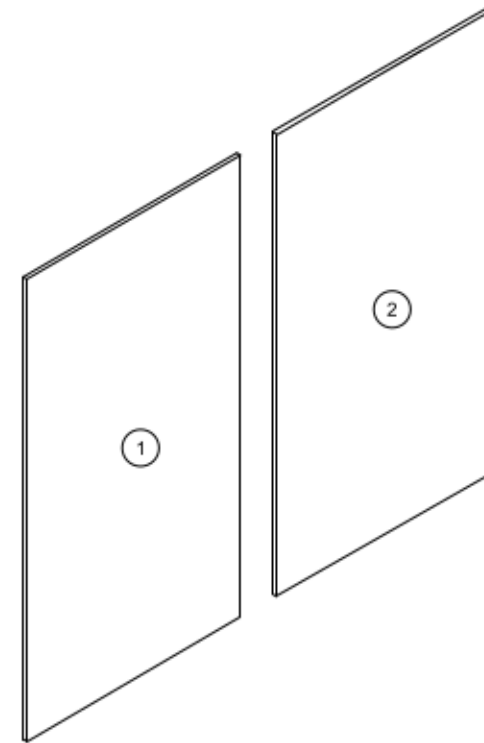


29.03.2017

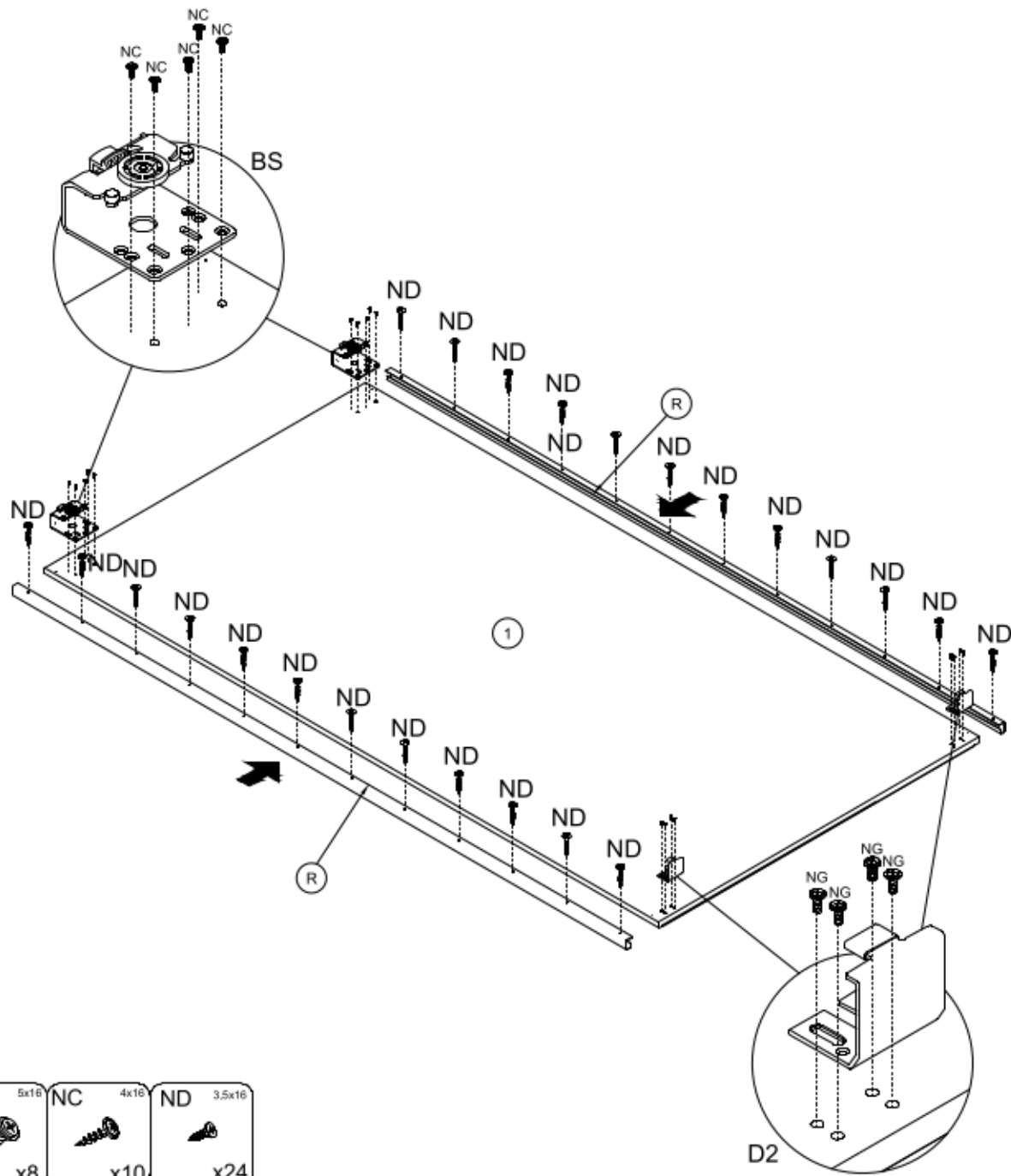
- | | |
|----------------------------------|------------------------------|
| (D) Montageanleitung | (GB) Assembly Instructions |
| (FR) Notice de montage | (IT) Istruzioni di montaggio |
| (NL) Handleiding voor de montage | (PL) Instrukcja montażu |
| (CZ) Montážní návod | (SK) Návod na montáž |
| (HU) Szerelési útmutató | (RO) Instrucțiuni de montaj |
| (TR) Montaj talimatı | (RU) Инструкции по монтажу |



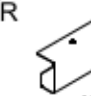





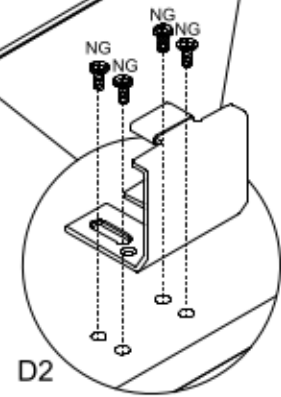
1

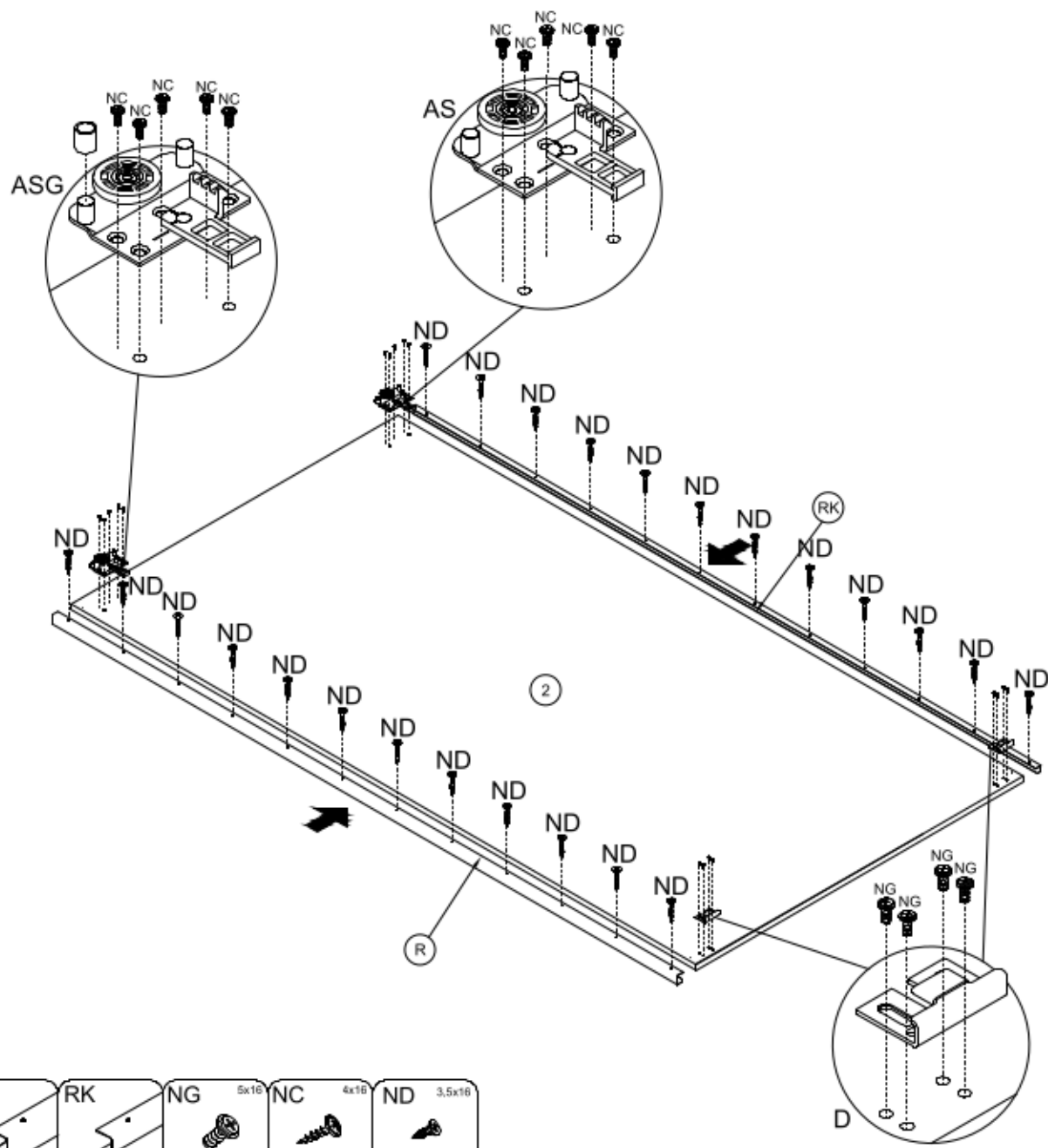





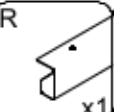
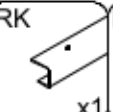



2

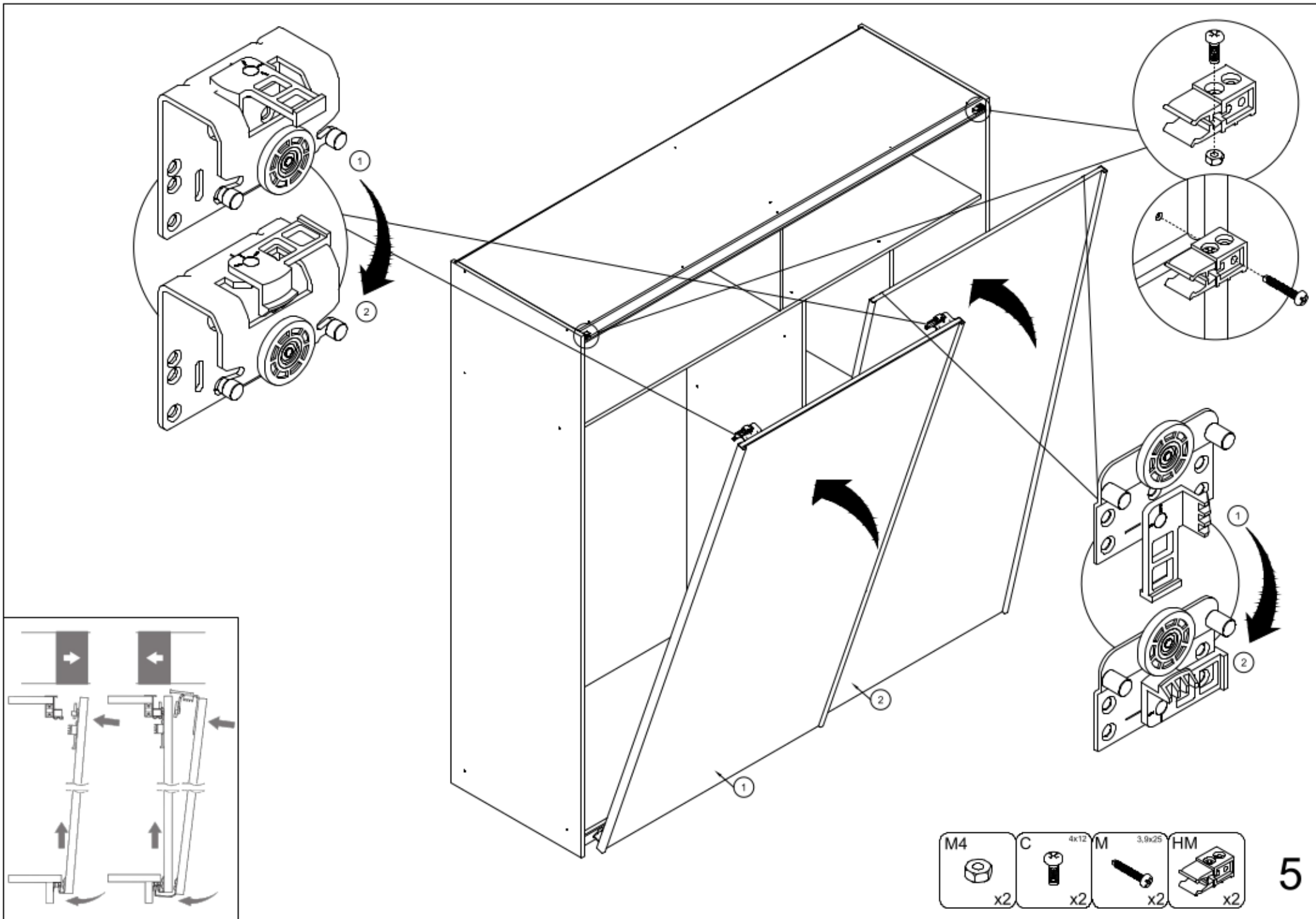






					
BS	D2	R	NG 5x16	NC 4x16	ND 3.5x16
x2	x2	x2	x8	x10	x24





- | | | | | | | | |
|---|--|---|---|--|---|---|--|
|  D |  AS |  ASG |  R |  RK |  NG 5x16 |  NC 4x16 |  ND 3,5x16 |
| x2 | x1 | x1 | x1 | x1 | x8 | x10 | x24 |



- | | | | |
|---|---|---|---|
| M4 | C 4x12 | M 3,9x25 | HM |
|  |  |  |  |
| x2 | x2 | x2 | x2 |