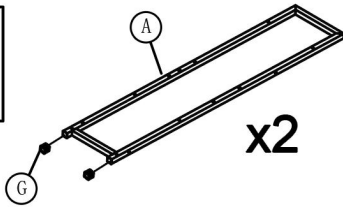


 max. 30 kg

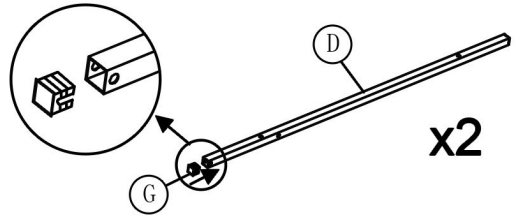
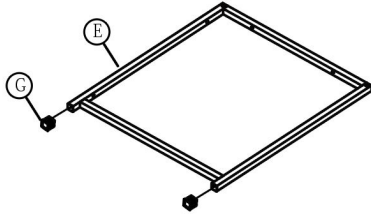


**1**

Ax2  
Ex1  
Dx2  
Gx8



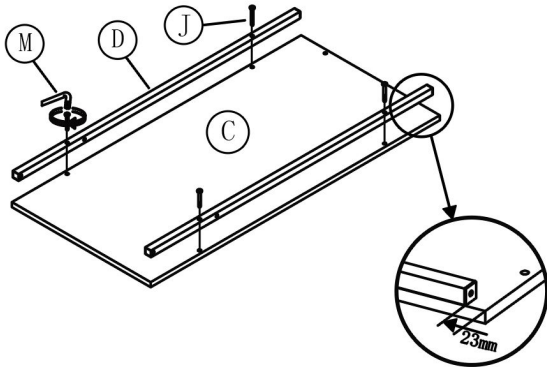
x2



x2

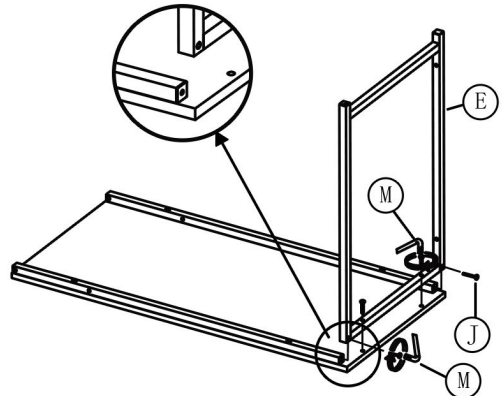
**2**

Cx1  
Jx4



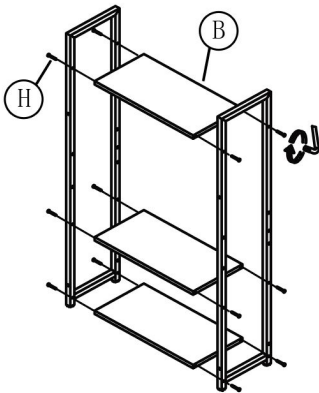
**3**

Jx4



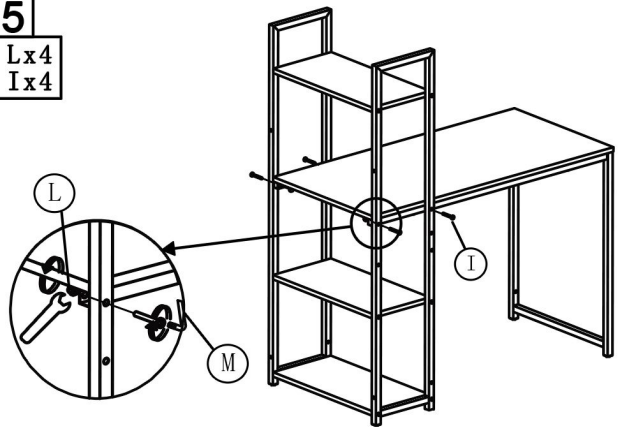
**4**

Bx3  
Hx12



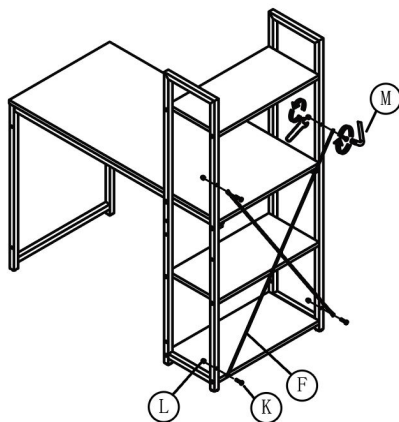
**5**

Lx4  
Ix4



**6**

Fx1  
Kx4  
Lx4



**7**

Fx1  
Kx4  
Lx4

