
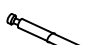














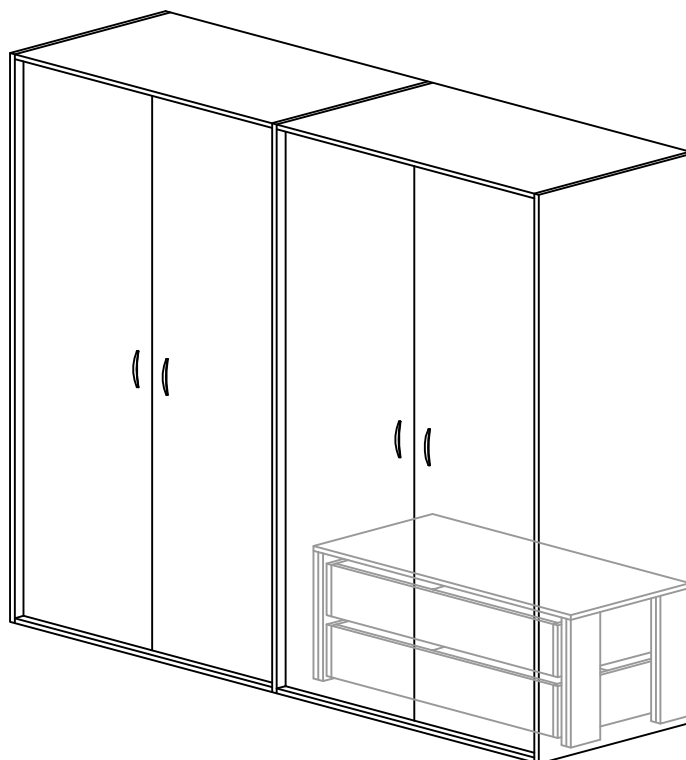


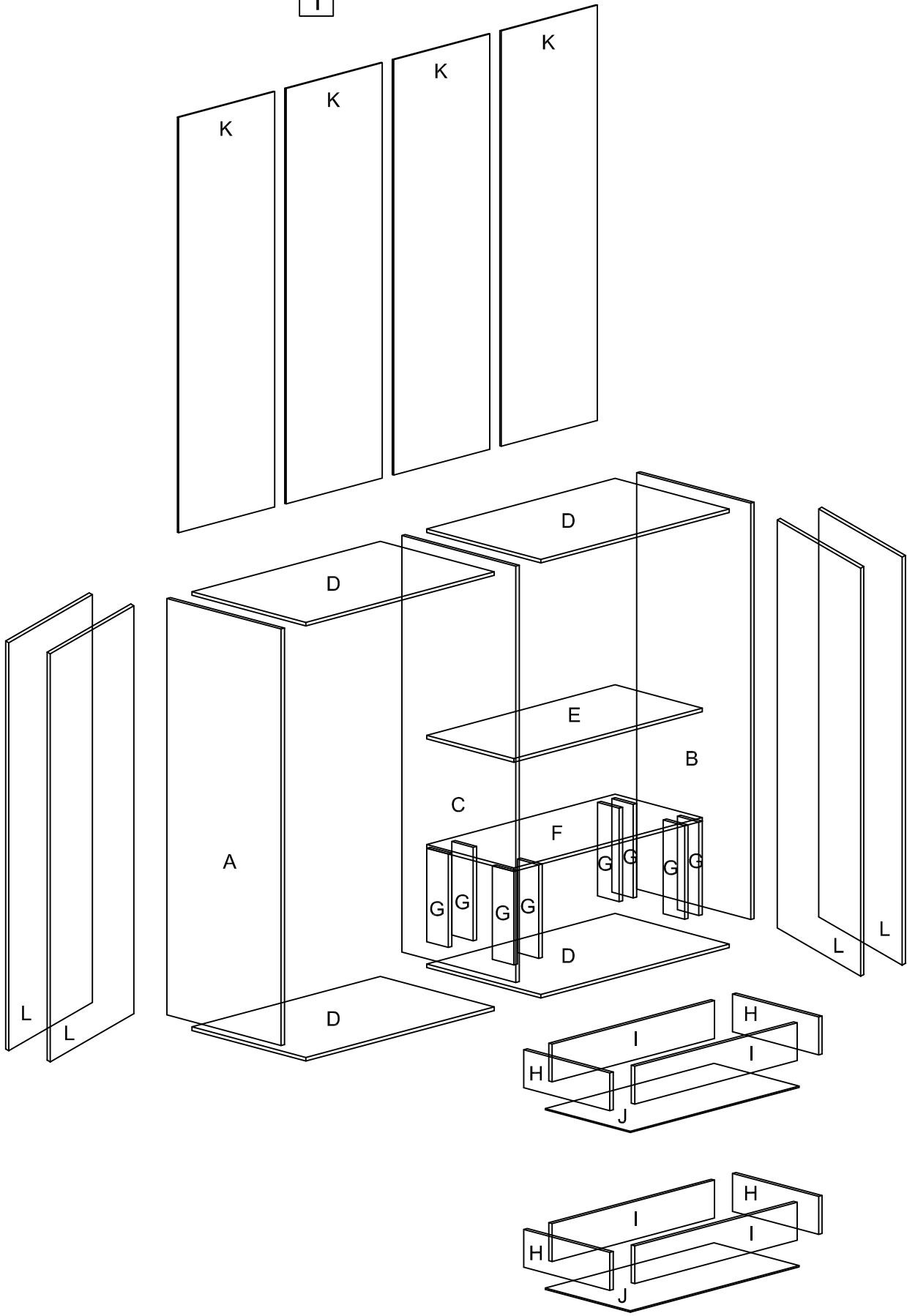
Future

A	1870x530	
B	1870x530	
C	1870x530	
D	4x 876x530	
E	876x405	
F	876x405	
G	8x 420x100	
H	4x 400x170	
I	4x 755x170	
J	2x 784x395	
K	4x 1865x447	
L	4x 1832x433	

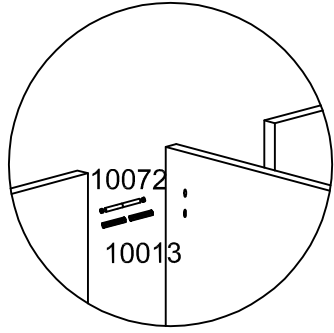
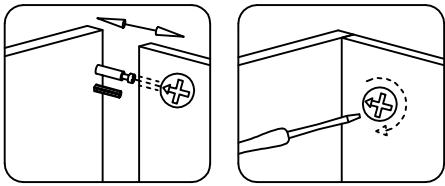
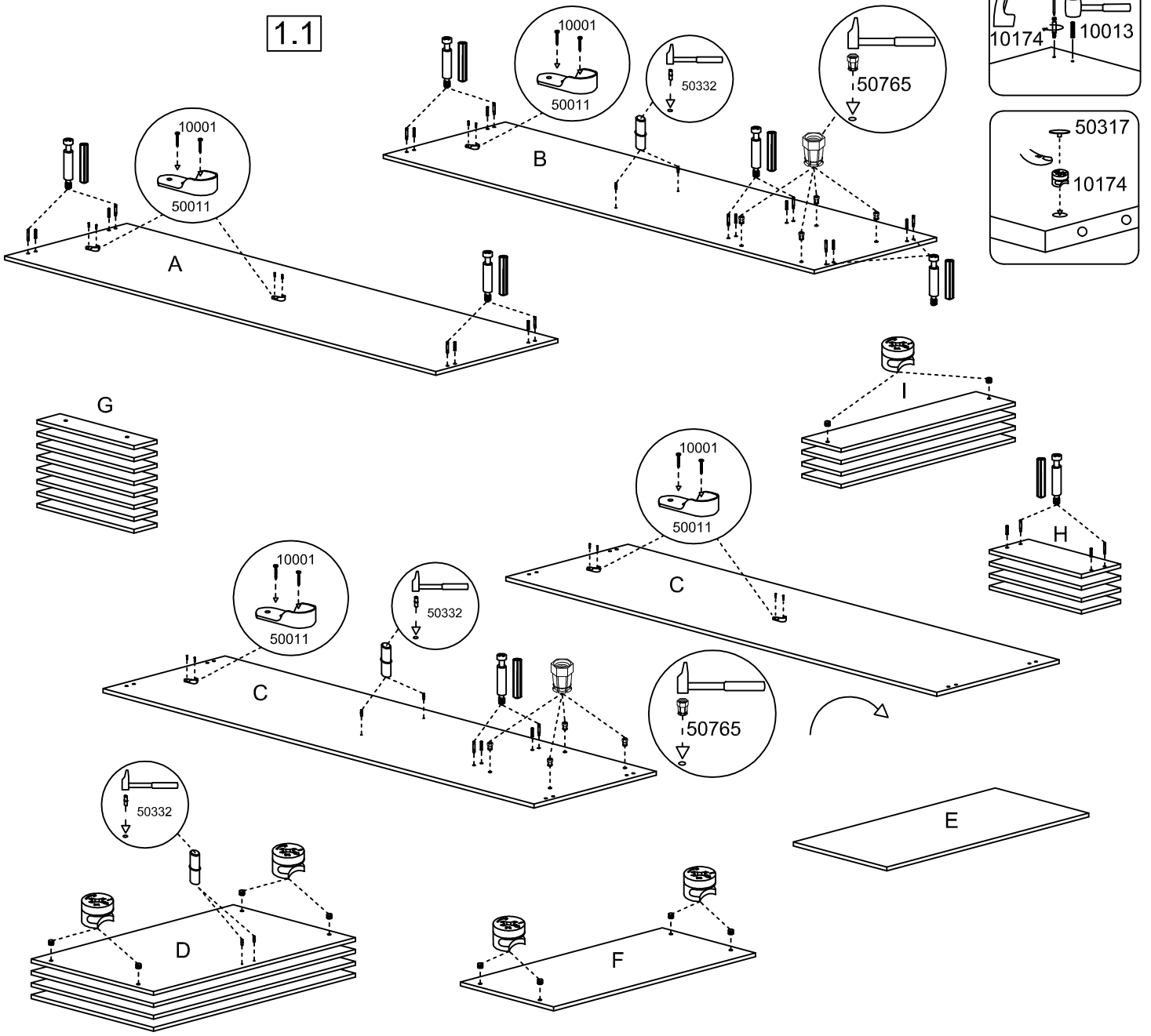
20x  10174	4x  10072	28x  Φ 8/30 10013	28x  50317	2x  L 400 mm 50955	12x  40160	12x  50332
6x  50249	6x  50011	4x  20284	8x  M 4/18 10186	8x  50765	8x  M 6/40 10129	68x  Φ 3,5/16 10001
					20x  Φ 3,5/20 10002	 10033



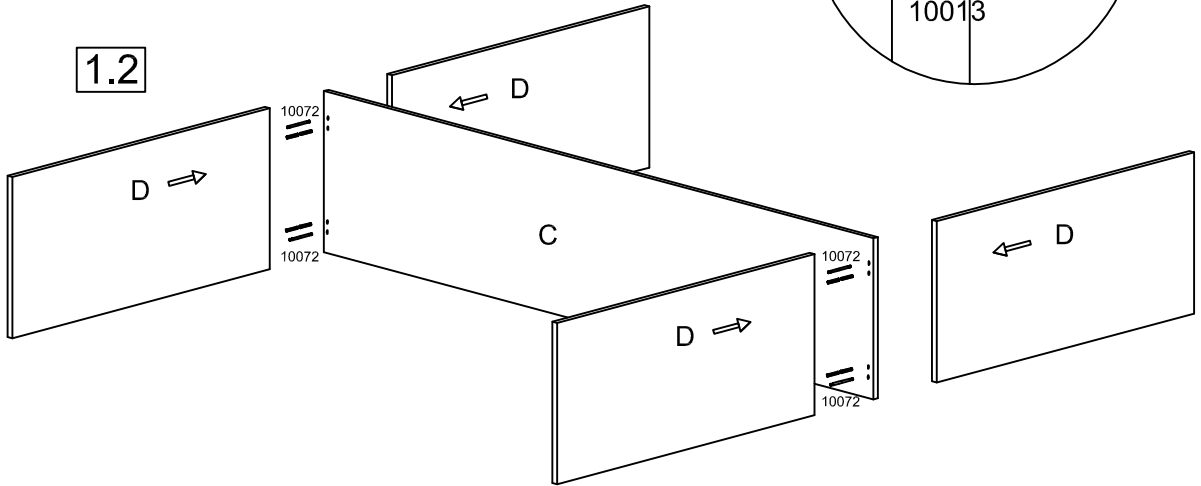
1

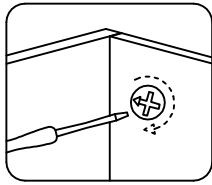
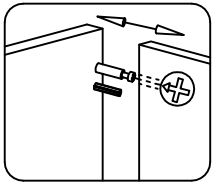


1.1

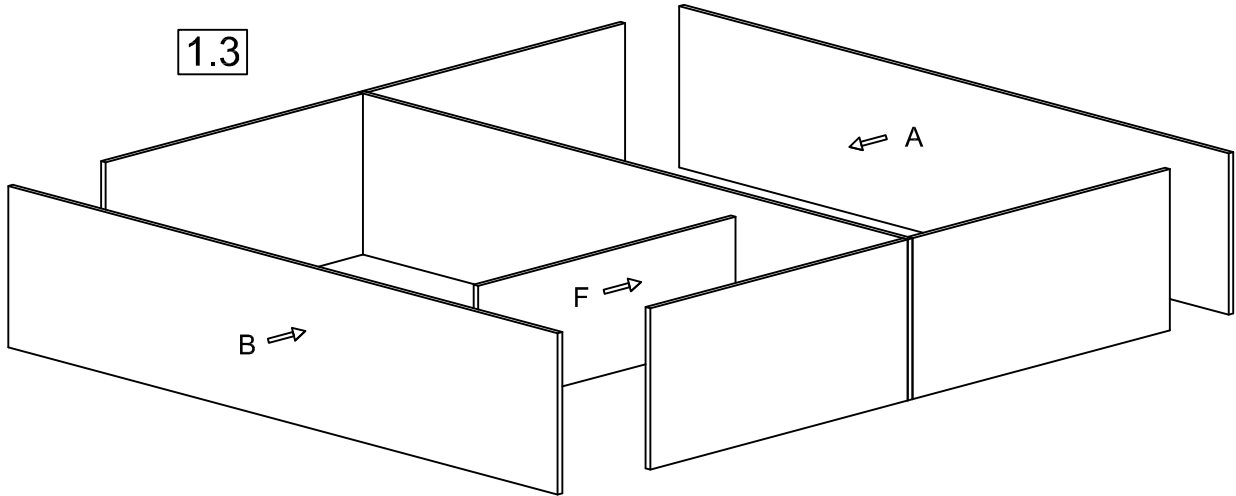


1.2

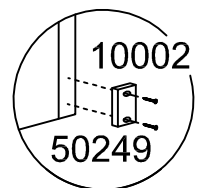
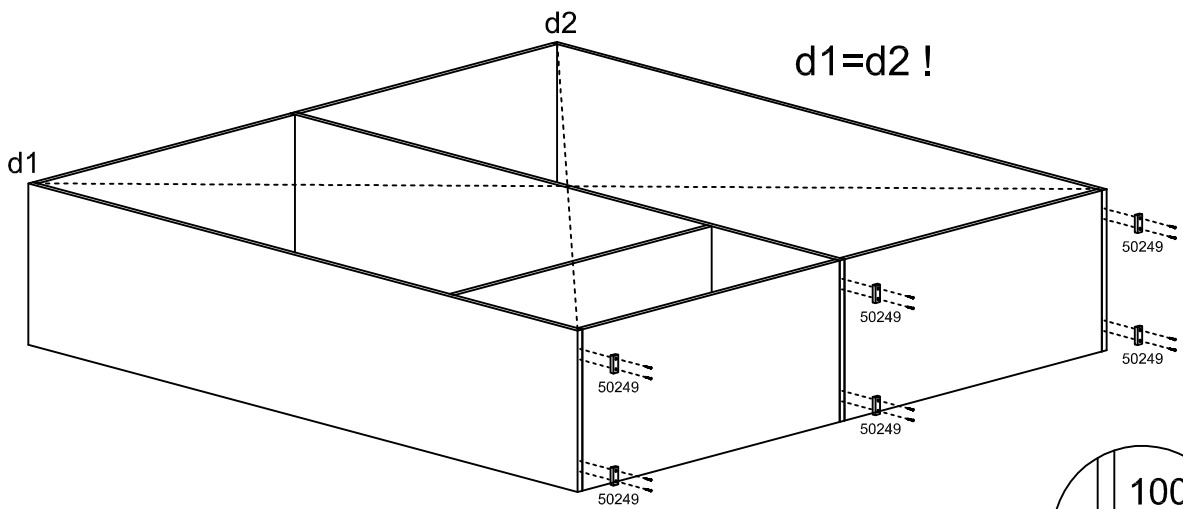
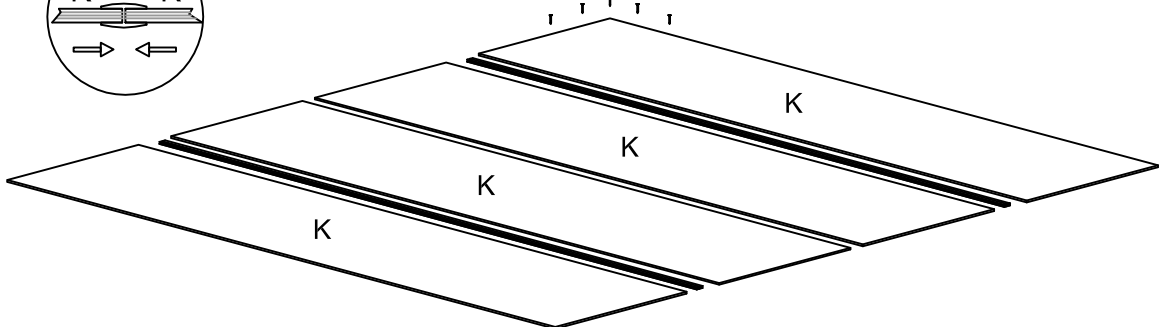
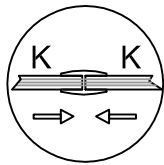


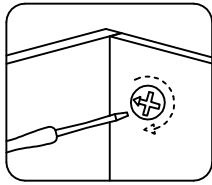
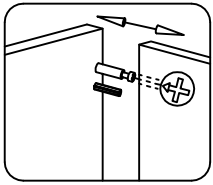


1.3

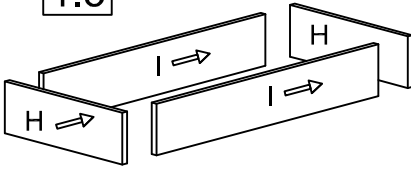


1.4

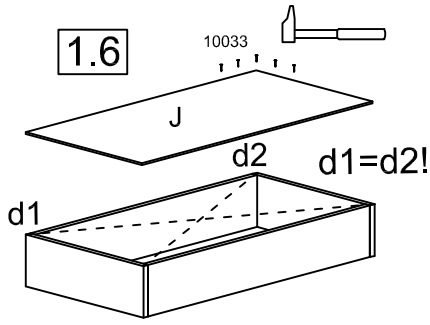




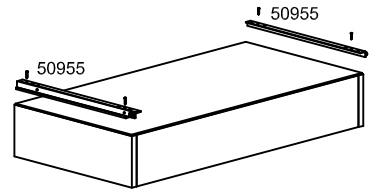
1.5



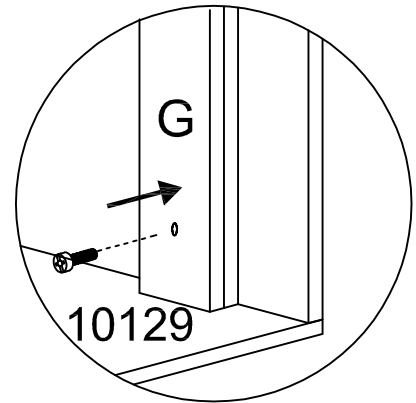
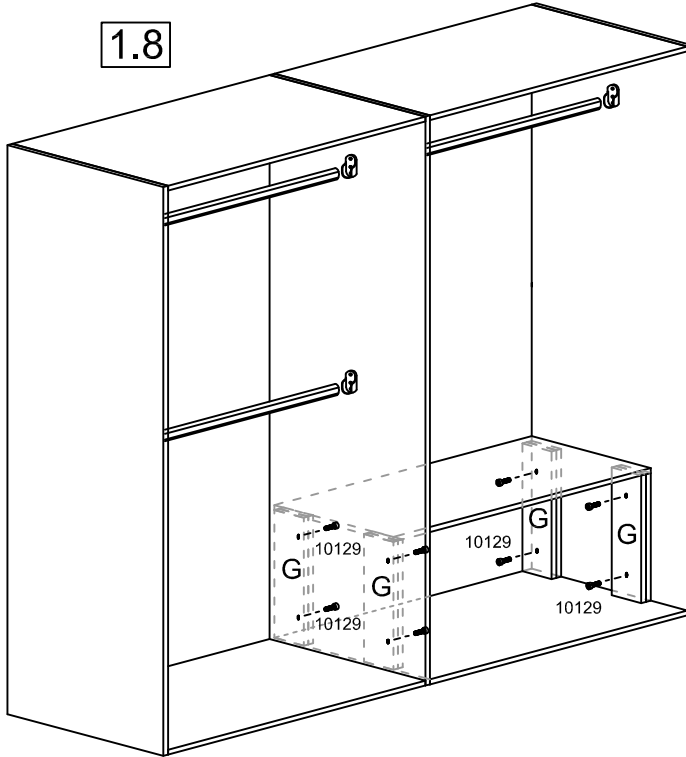
1.6



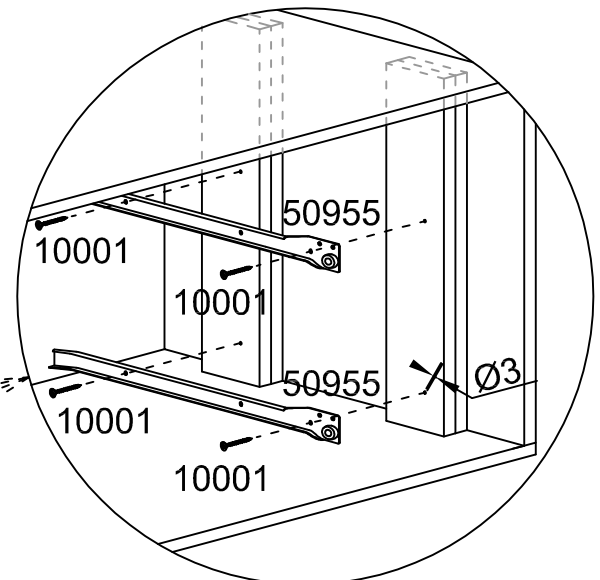
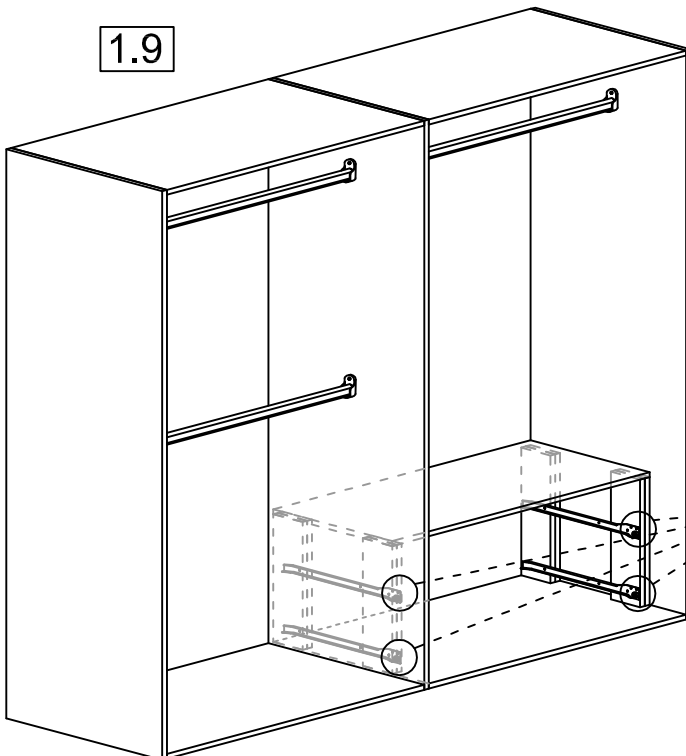
1.7



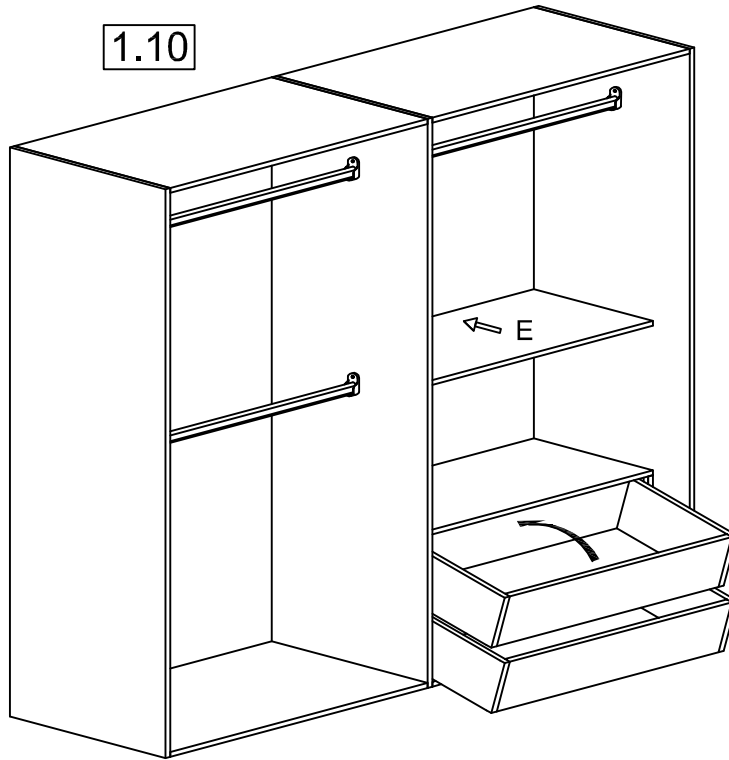
1.8



1.9



1.10



1.11

