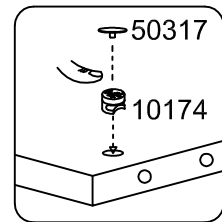
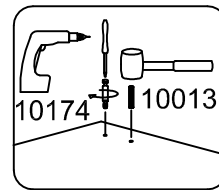
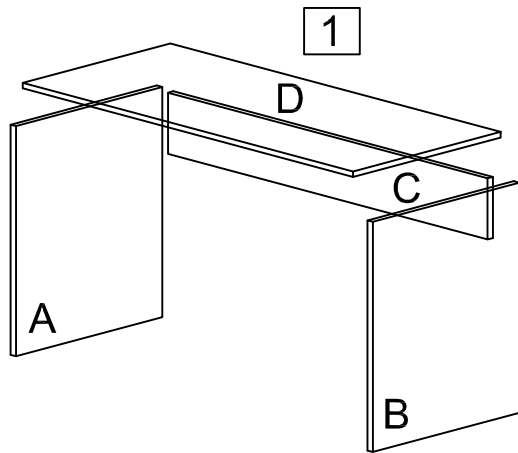
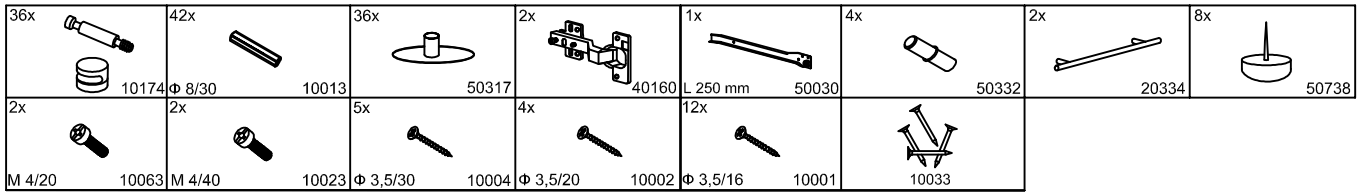
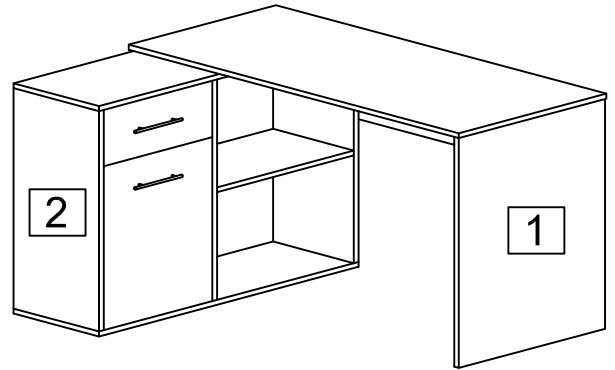
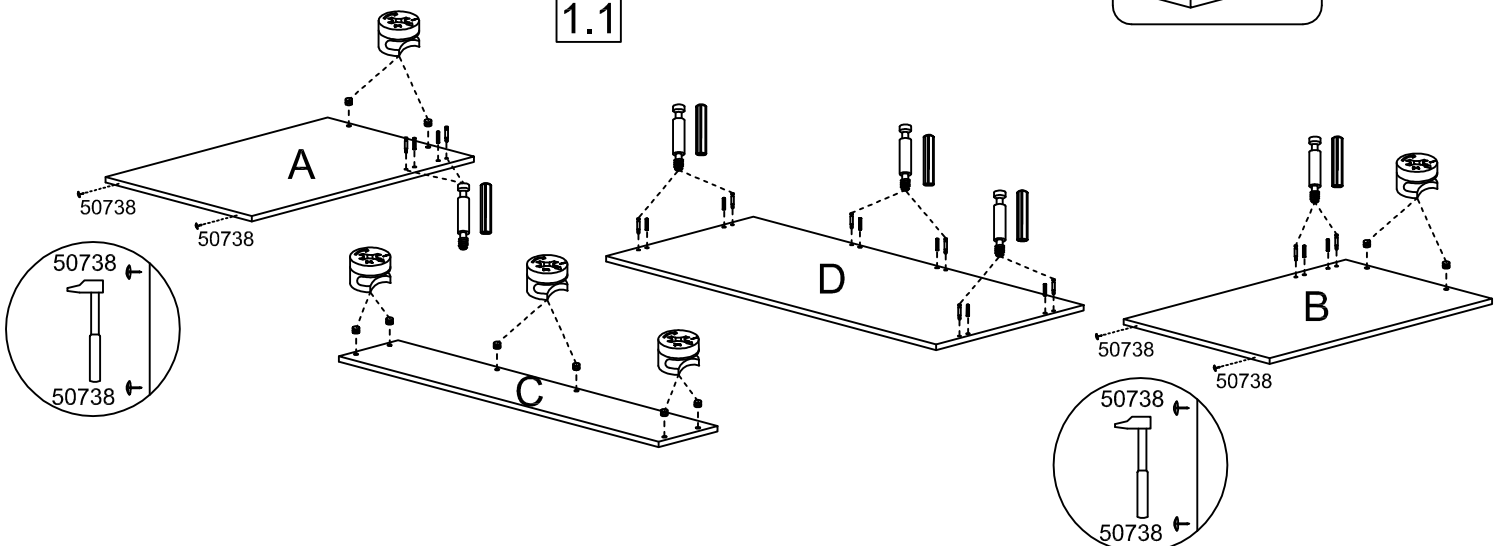


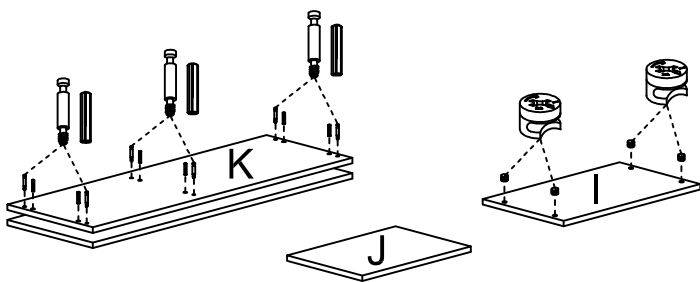
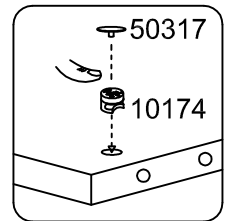
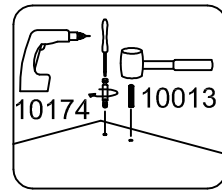
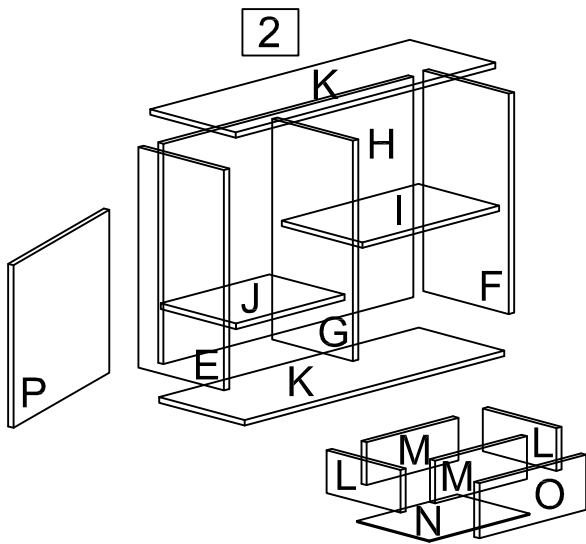
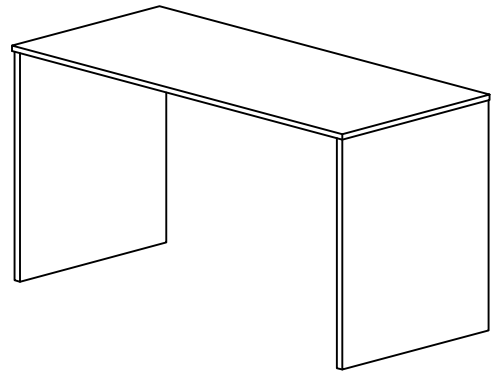
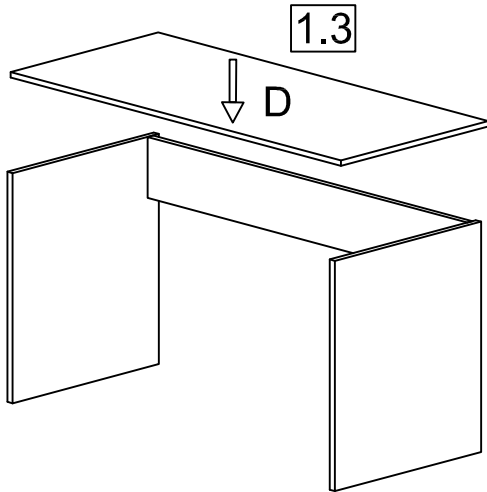
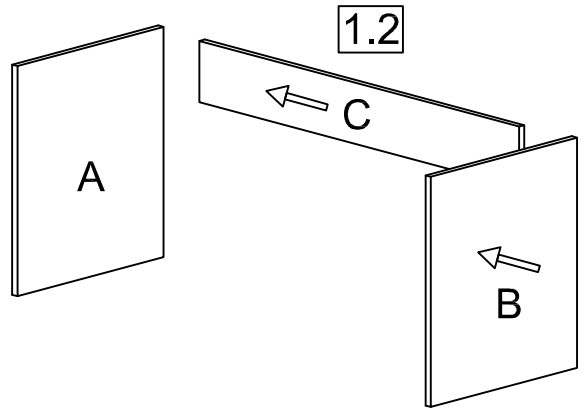
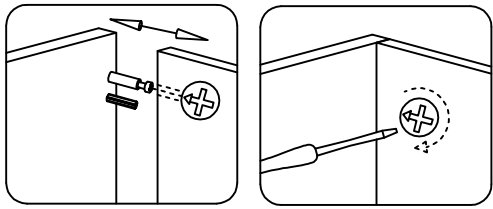
# Carlo

A	754x496	2/4
B	754x496	2/4
C	1084x200	1/4
D	1120x500	1/4
E	722x290	4/4
F	722x290	4/4
G	722x274	4/4
H	722x848	3/4
I	464x274	1/4
J	368x255	1/4
K	2x 880x290	4/4
L	2x 250x140	1/4
M	2x 311x140	1/4
N	340x245	1/4
O	180x362	1/4
P	533x362	1/4

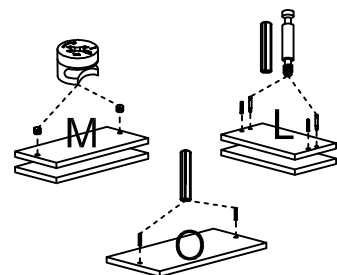


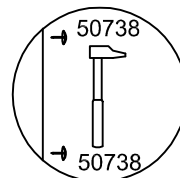
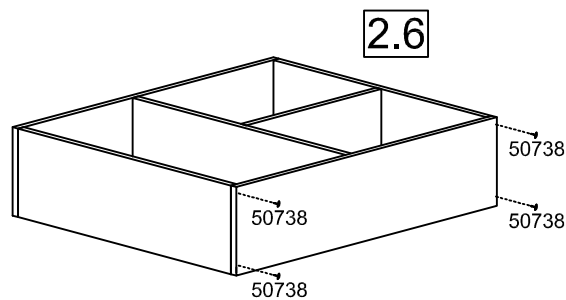
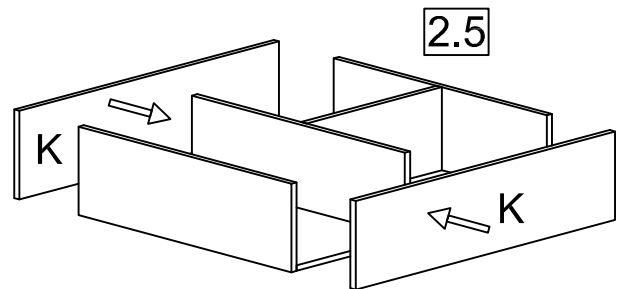
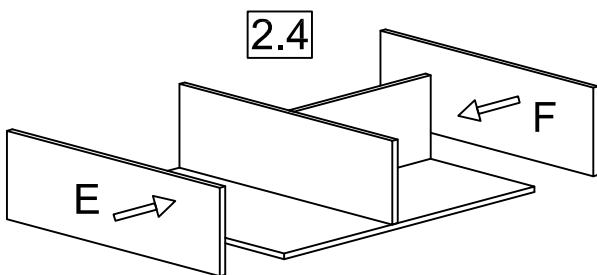
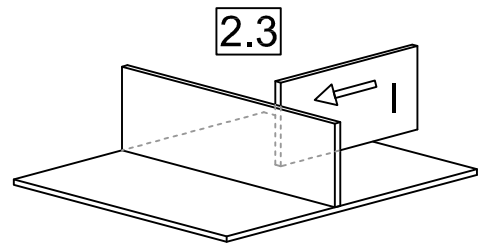
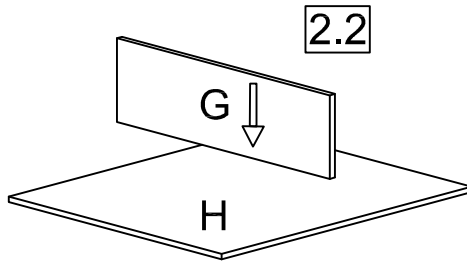
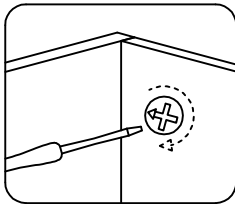
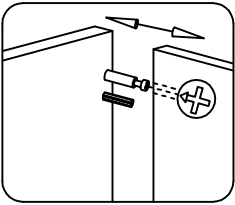
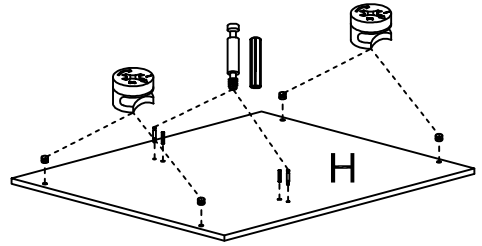
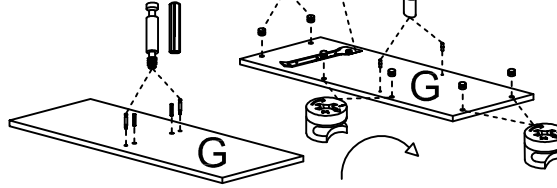
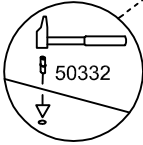
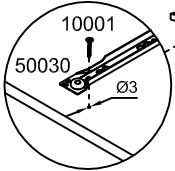
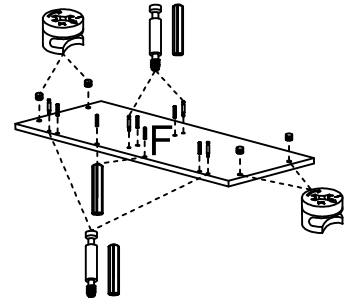
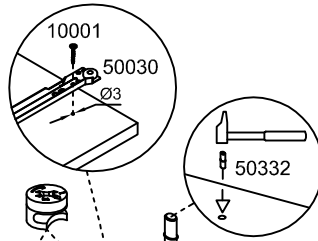
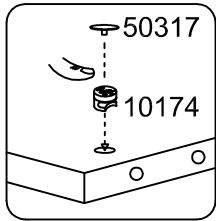
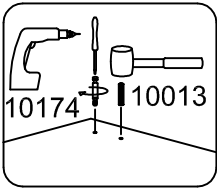
1.1



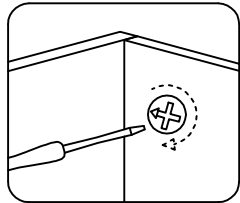
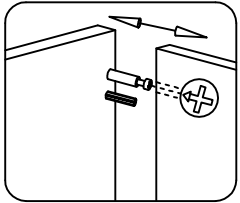
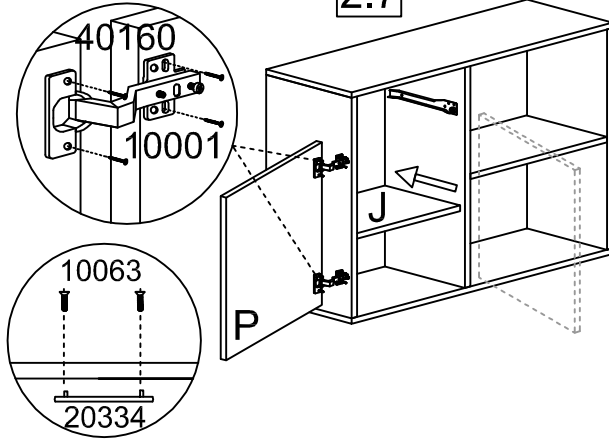


2.1

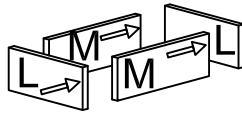




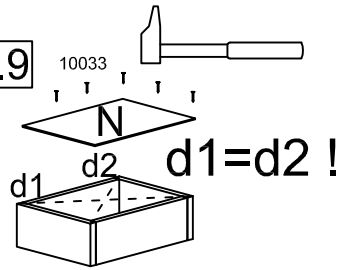
2.7



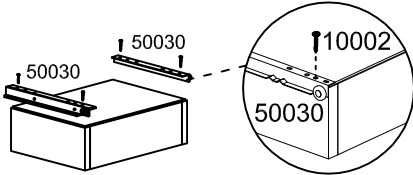
2.8



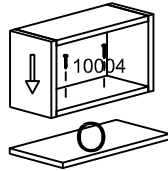
2.9



2.10



2.11



2.12

