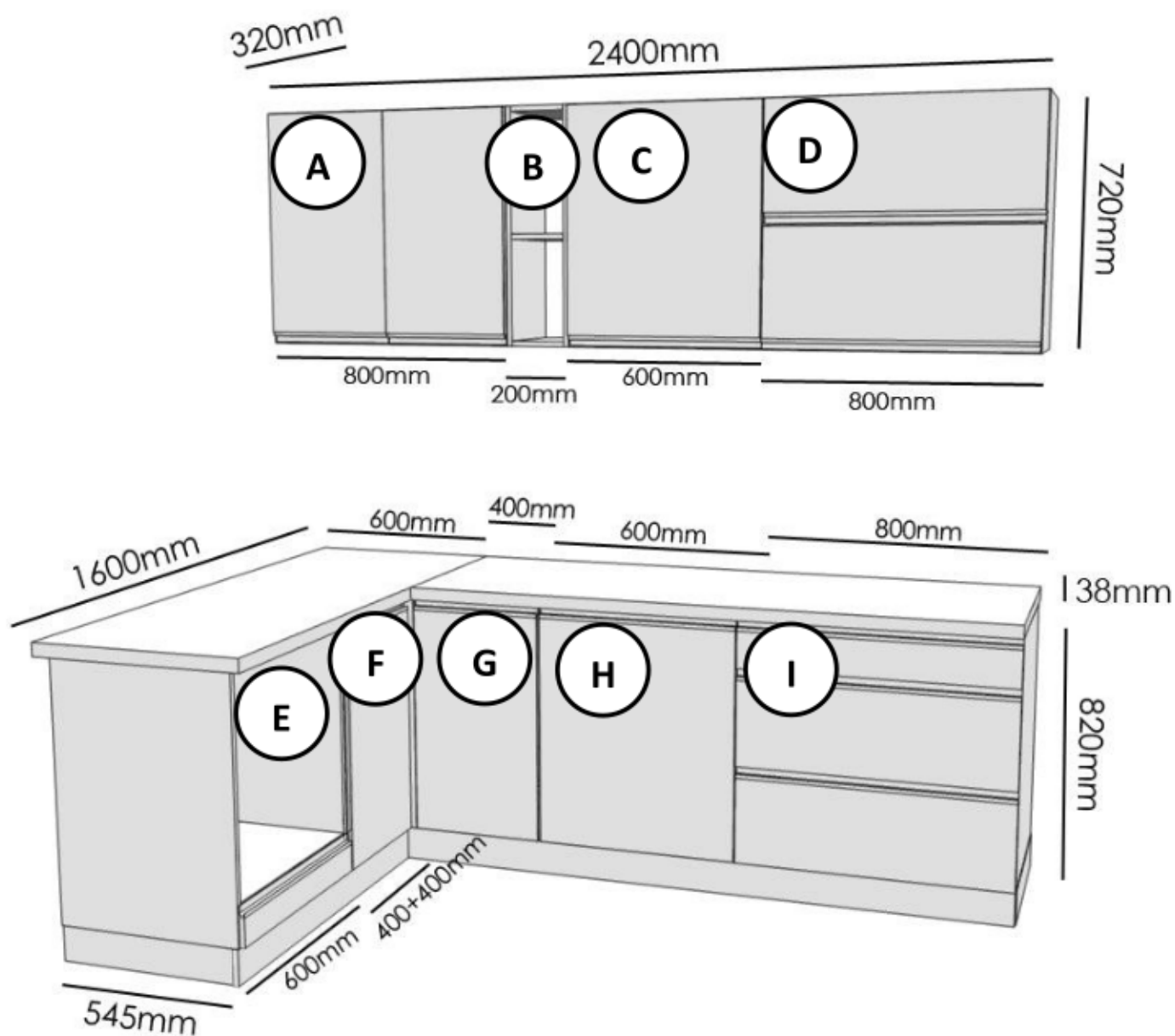
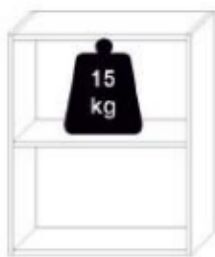
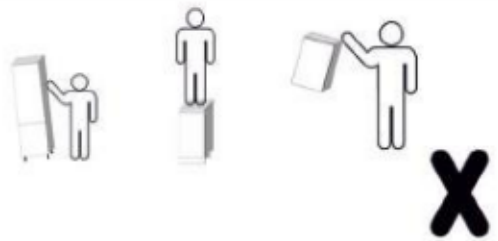
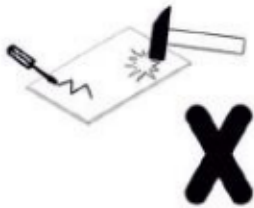
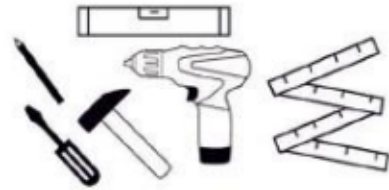
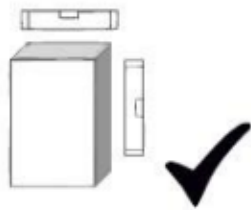
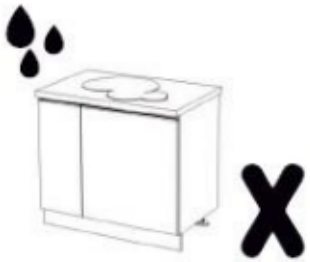
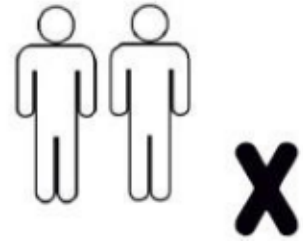
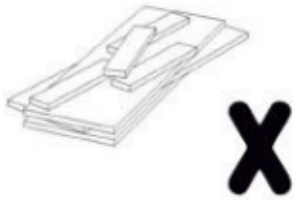
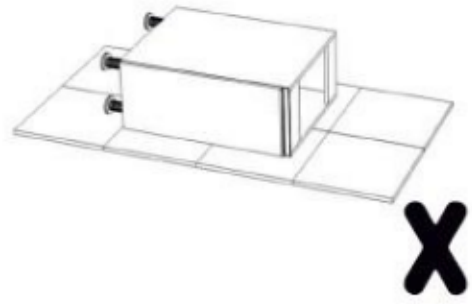
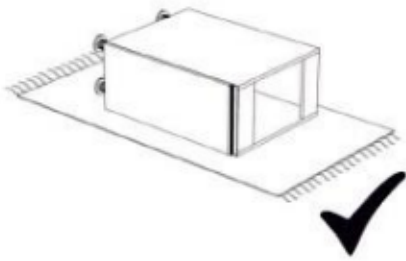


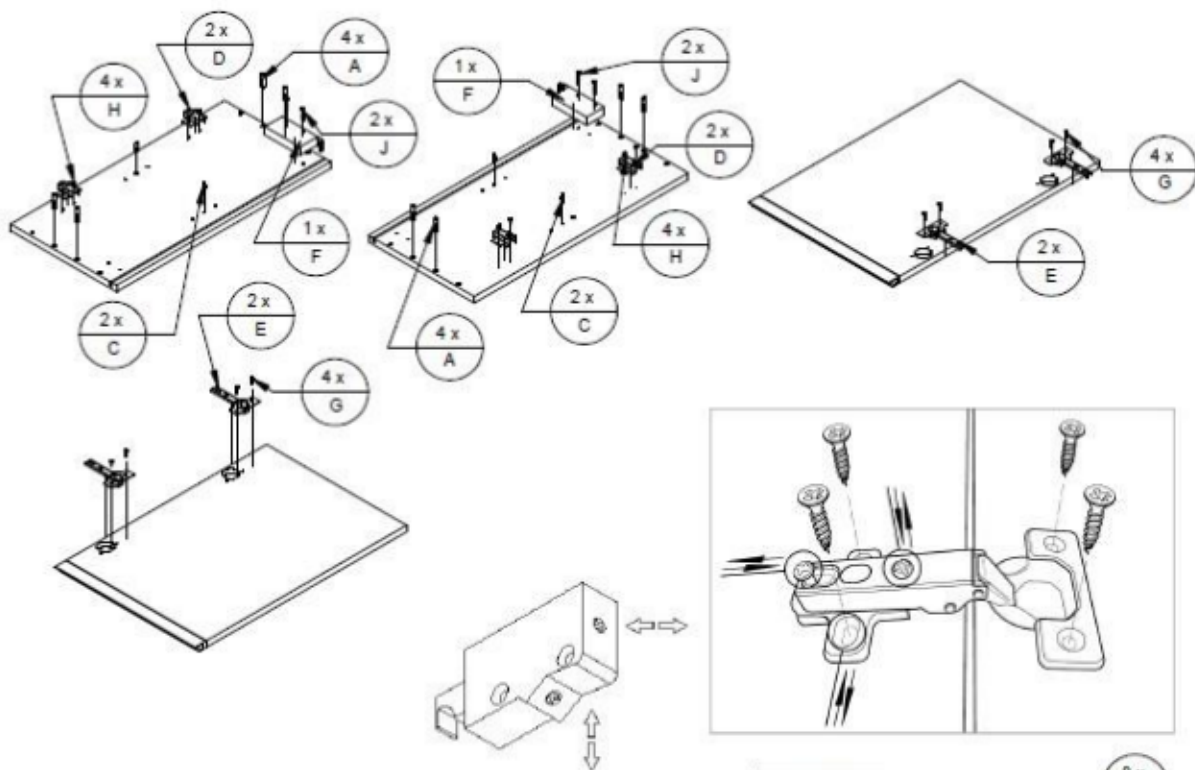
# Rohová kuchyně Brick Light 240x160



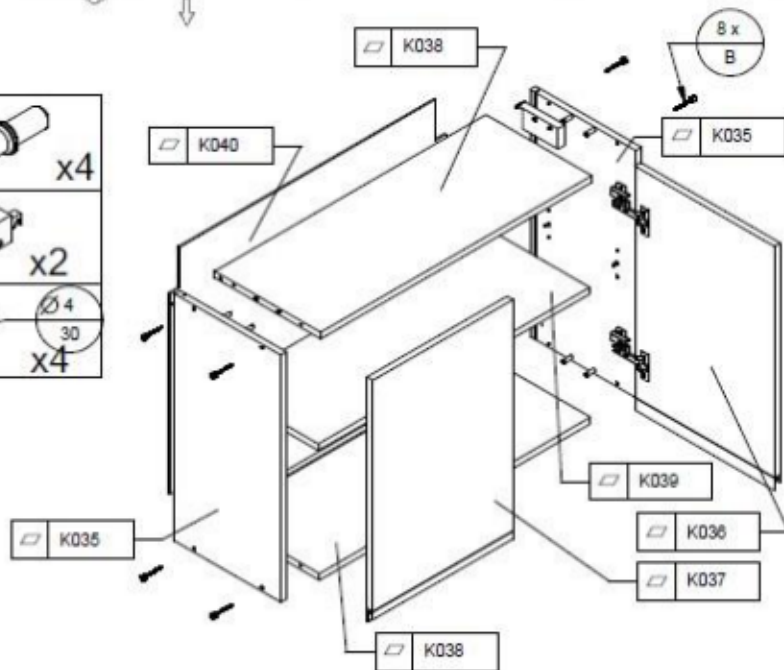


A

# G80

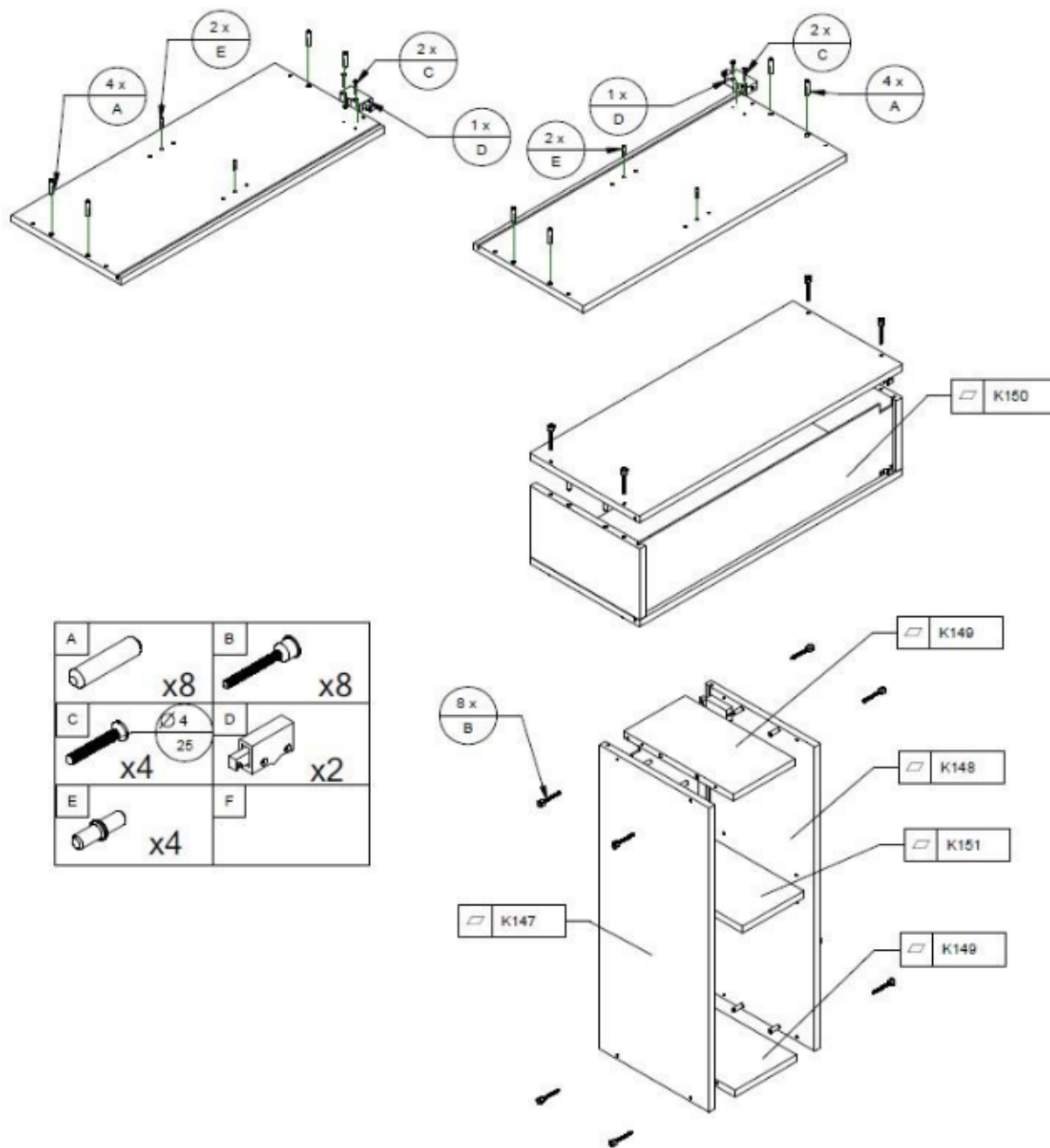


A	B	C
x8	x8	x4
D	E	F
x4	x4	x2
G	H	J
∅ 3.5 16 x8	∅ 4 16 x8	∅ 4 30 x4



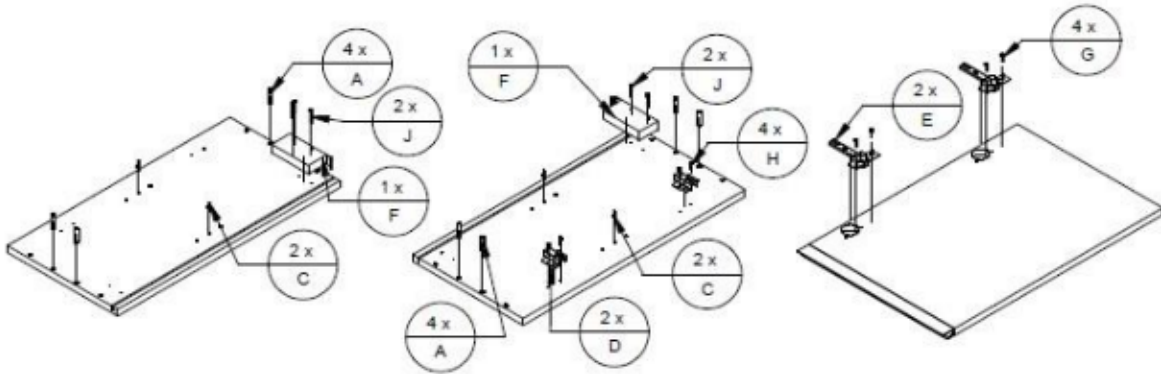
B










# G 15/20 otw

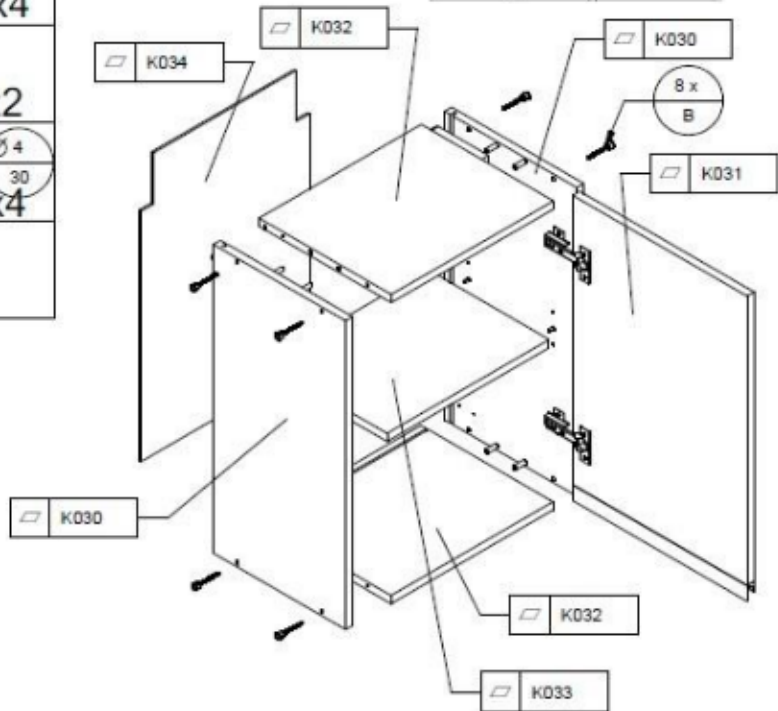




# G30/40/60 1F

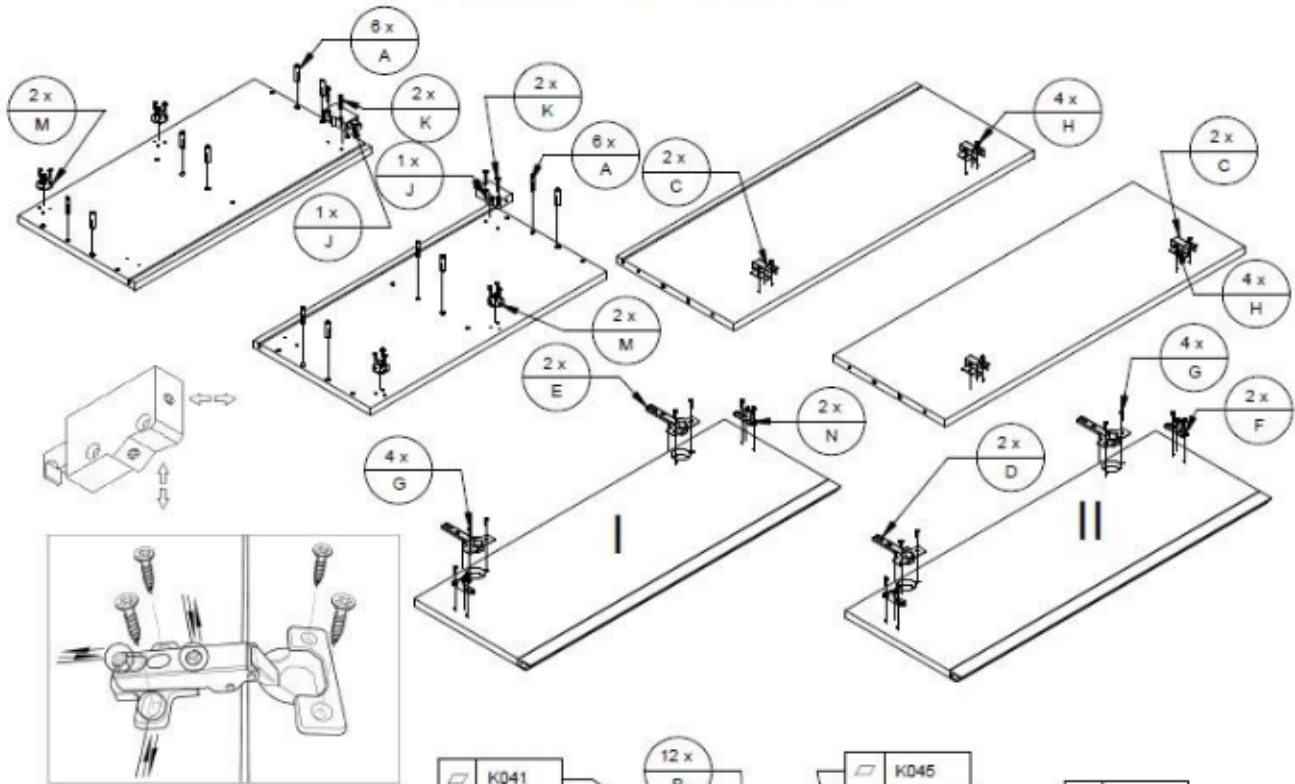


A	B	C
		
x8	x8	x4
D	E	F
		
x2	x2	x2
G	H	J
		
$\varnothing 3,5$ 16	$\varnothing 4$ 16	$\varnothing 4$ 30
x4	x4	x4

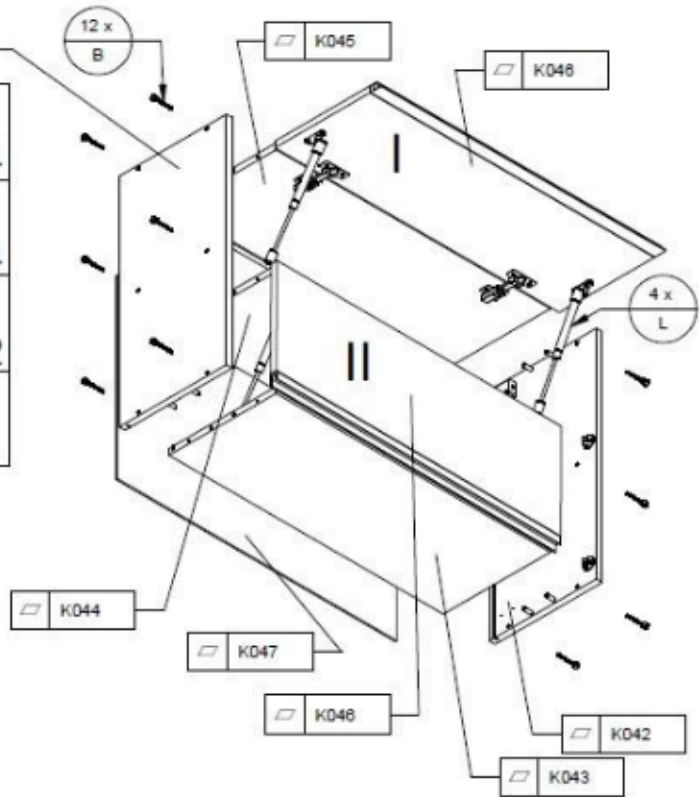


D

# G60u/80u



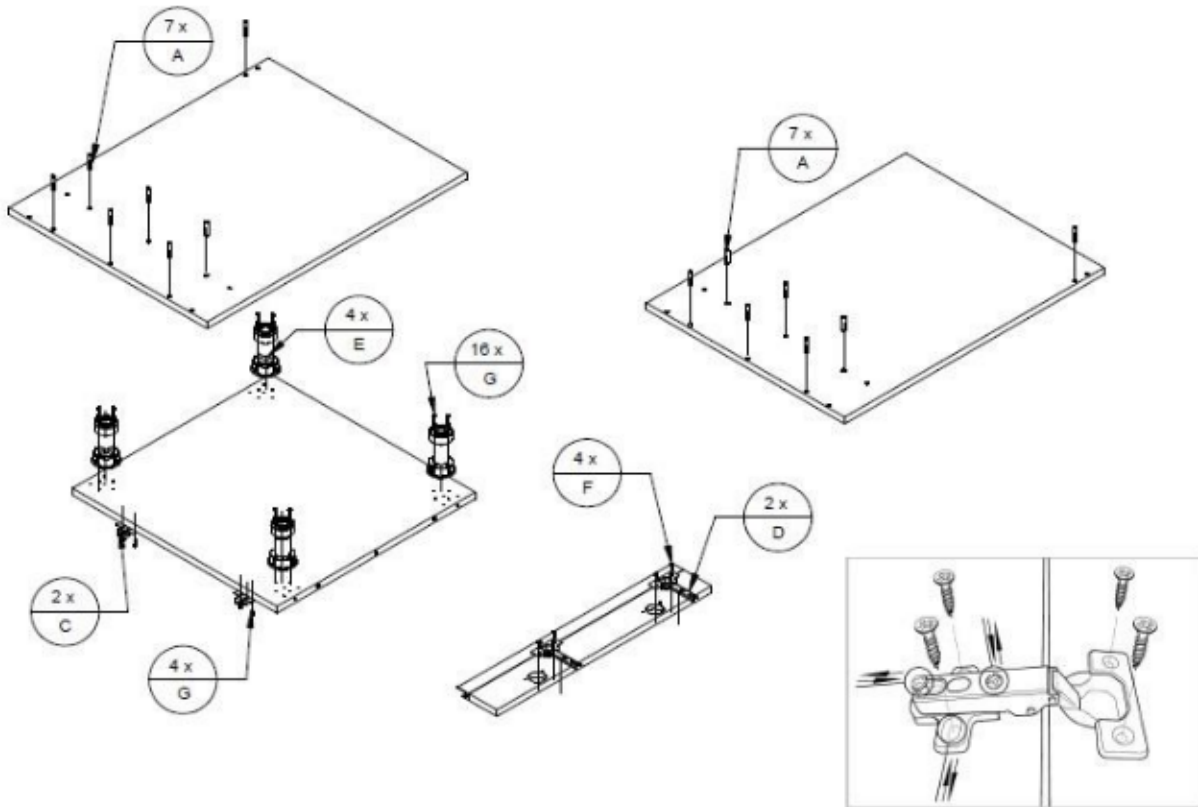
A	x12	B	x12	C	x4
D	x2	E	x2	F	x4
G	$\varnothing 3.5$ 10	H	$\varnothing 4$ 10	J	x2
K	$\varnothing 4$ 30	L	x4	M	x4



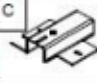


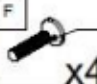



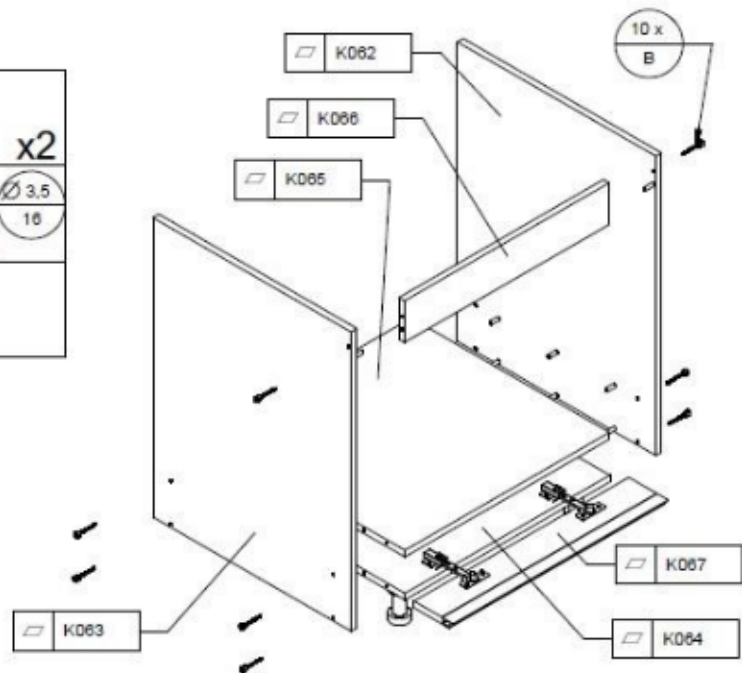


E

# D 60 ku

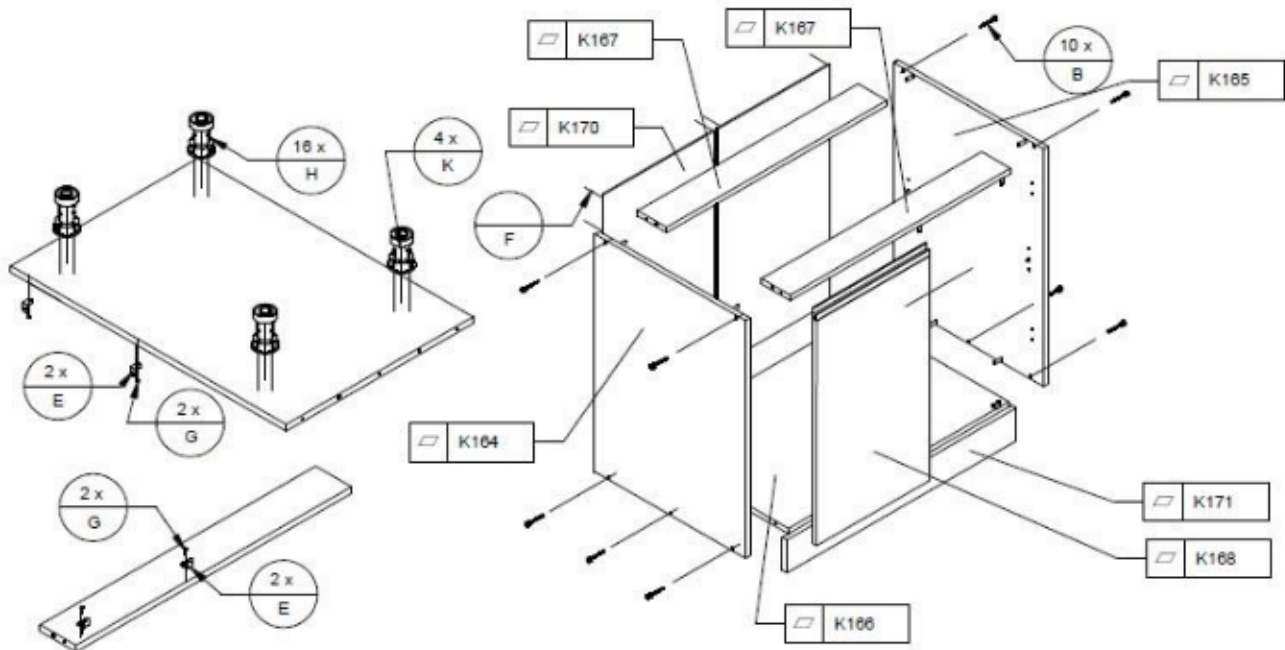
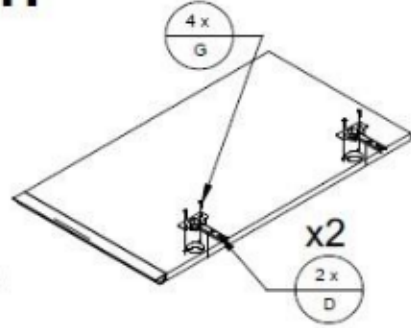
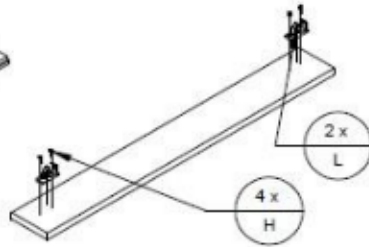
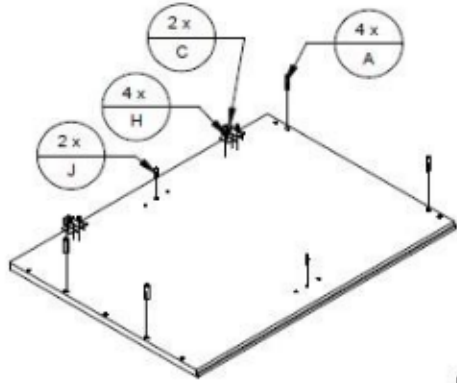


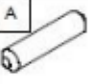




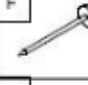
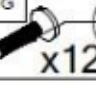
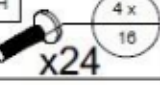



A	 x14	B	 x10	C	 x2
D	 x2	E	 x4	F	 x4 $\begin{matrix} \text{3,5} \\ \text{16} \end{matrix}$
G	 x20 $\begin{matrix} \text{4} \\ \text{16} \end{matrix}$				



F

# D 80zaśl.

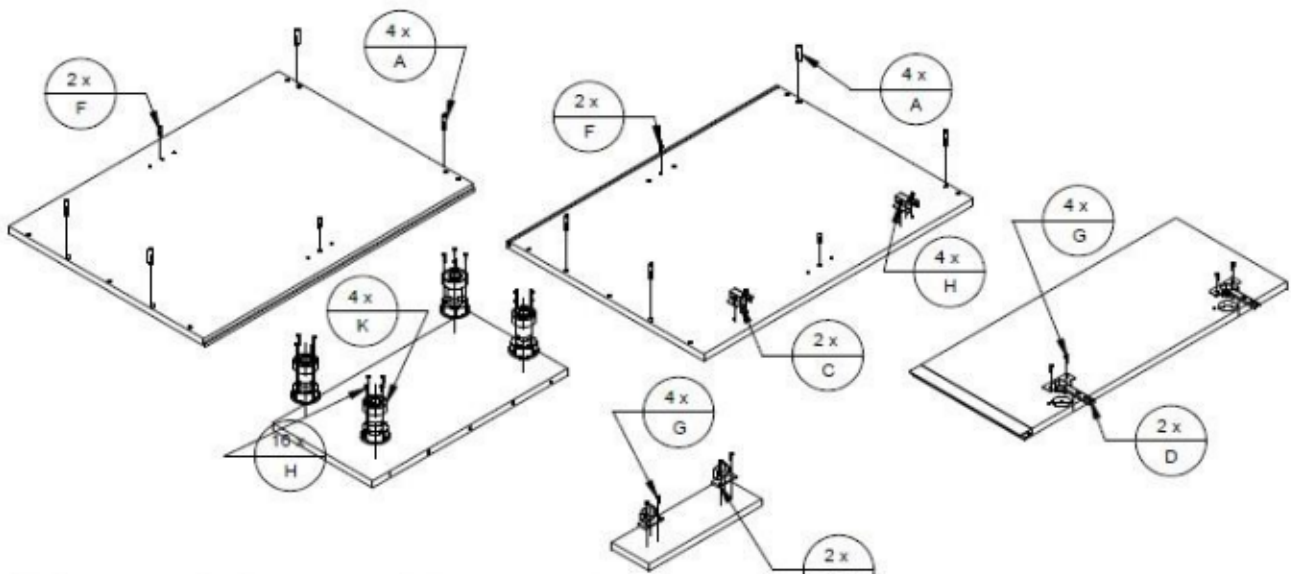












A  x8	B  x10	C  x2	D  x2	E  x4
F  x35	G  x12	H  x24	J  x4	K  x4
L  x2				

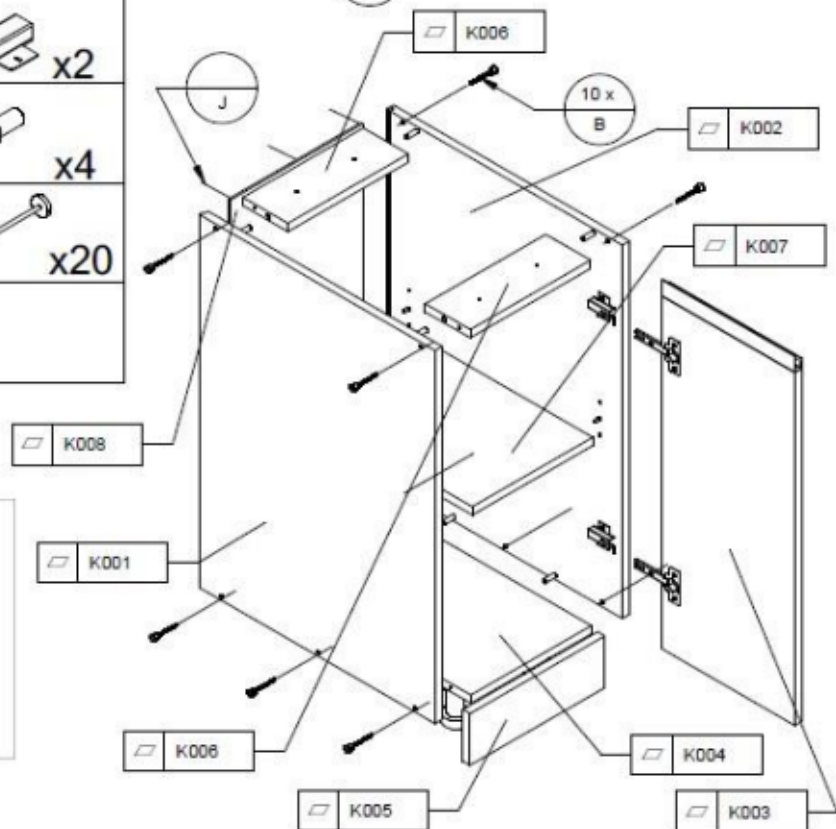
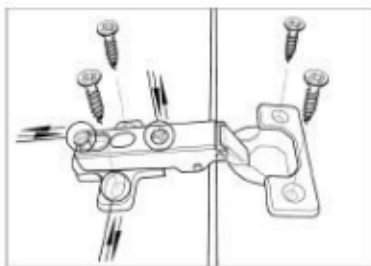


G H

# D 30/40/60 1F



A	B	C
 x8	 x10	 x2
D	E	F
 x2	 x2	 x4
G	H	J
 x8	 x20	 x20
K		
 x4		



I

# D 60 3sz/80 3sz

