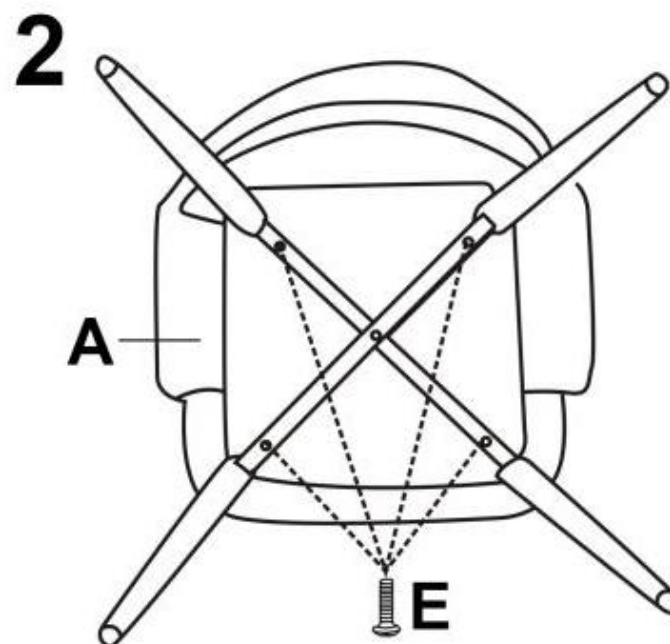
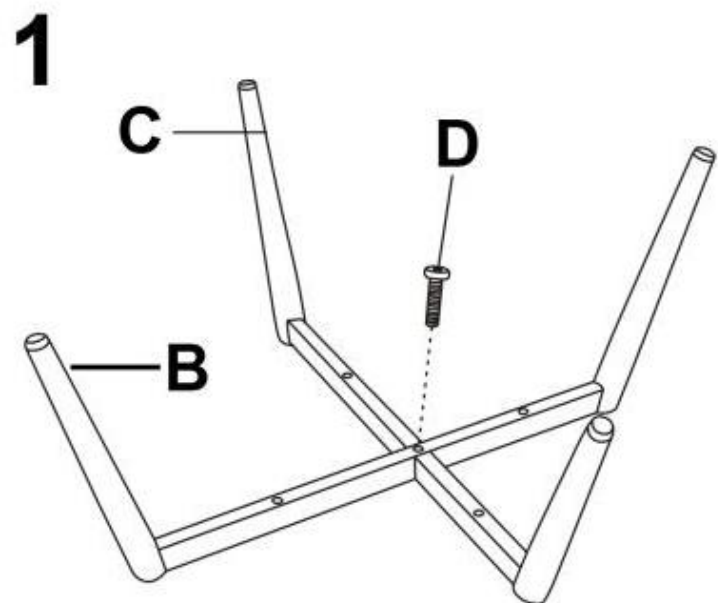





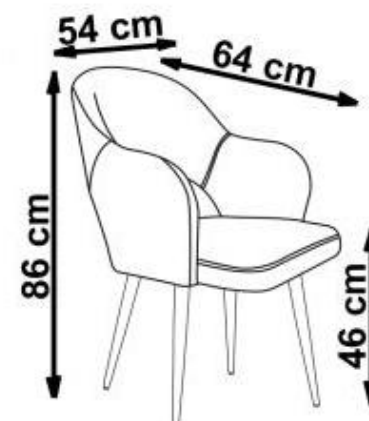



K364



A		1
B		1
C		1
D	 M8*25mm	1
E	 M6*45mm	4



 max. 100 kg

v.1