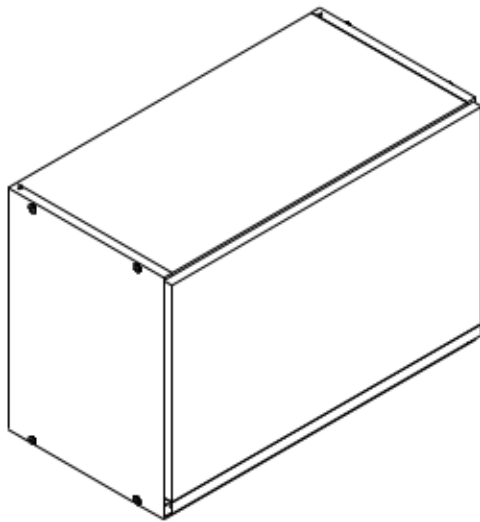


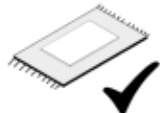







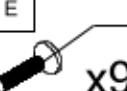

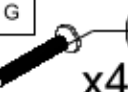
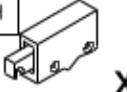






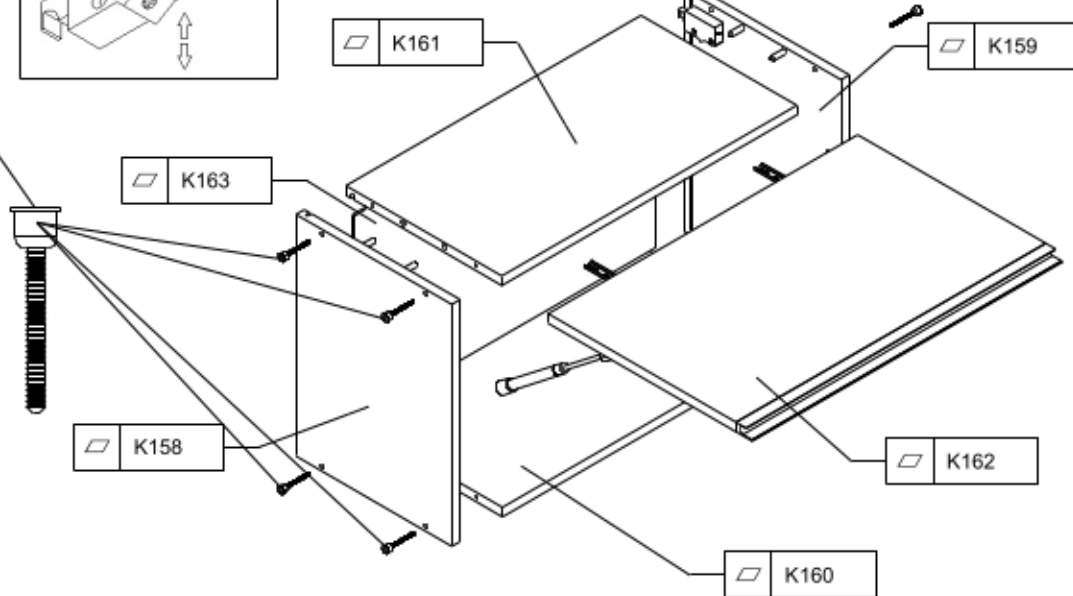
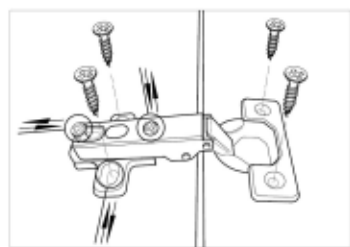
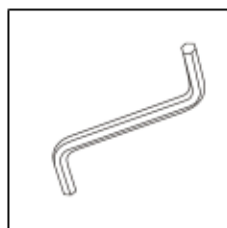
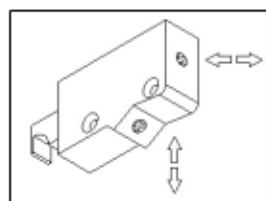
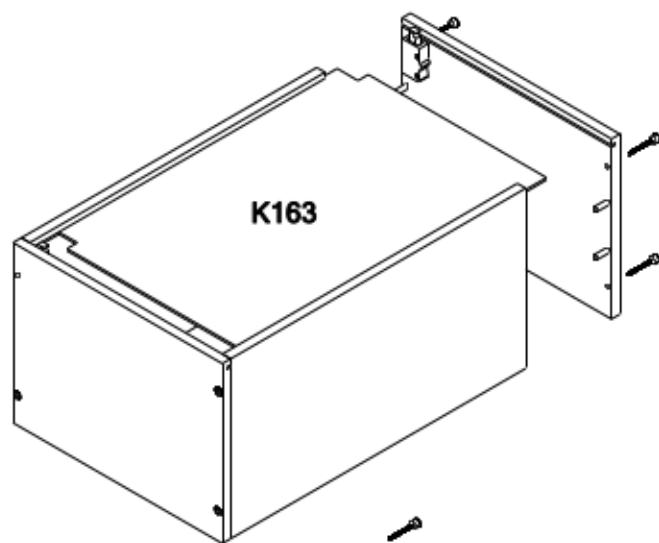
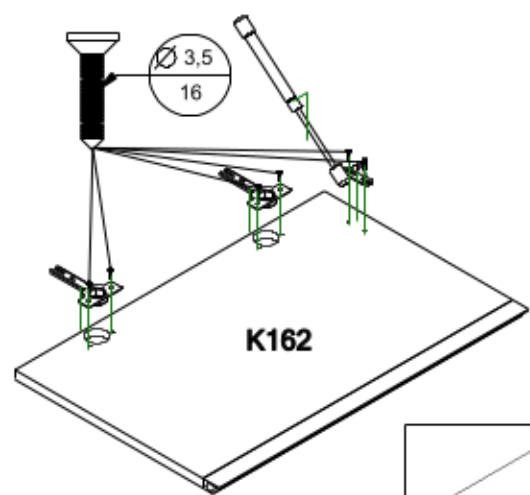
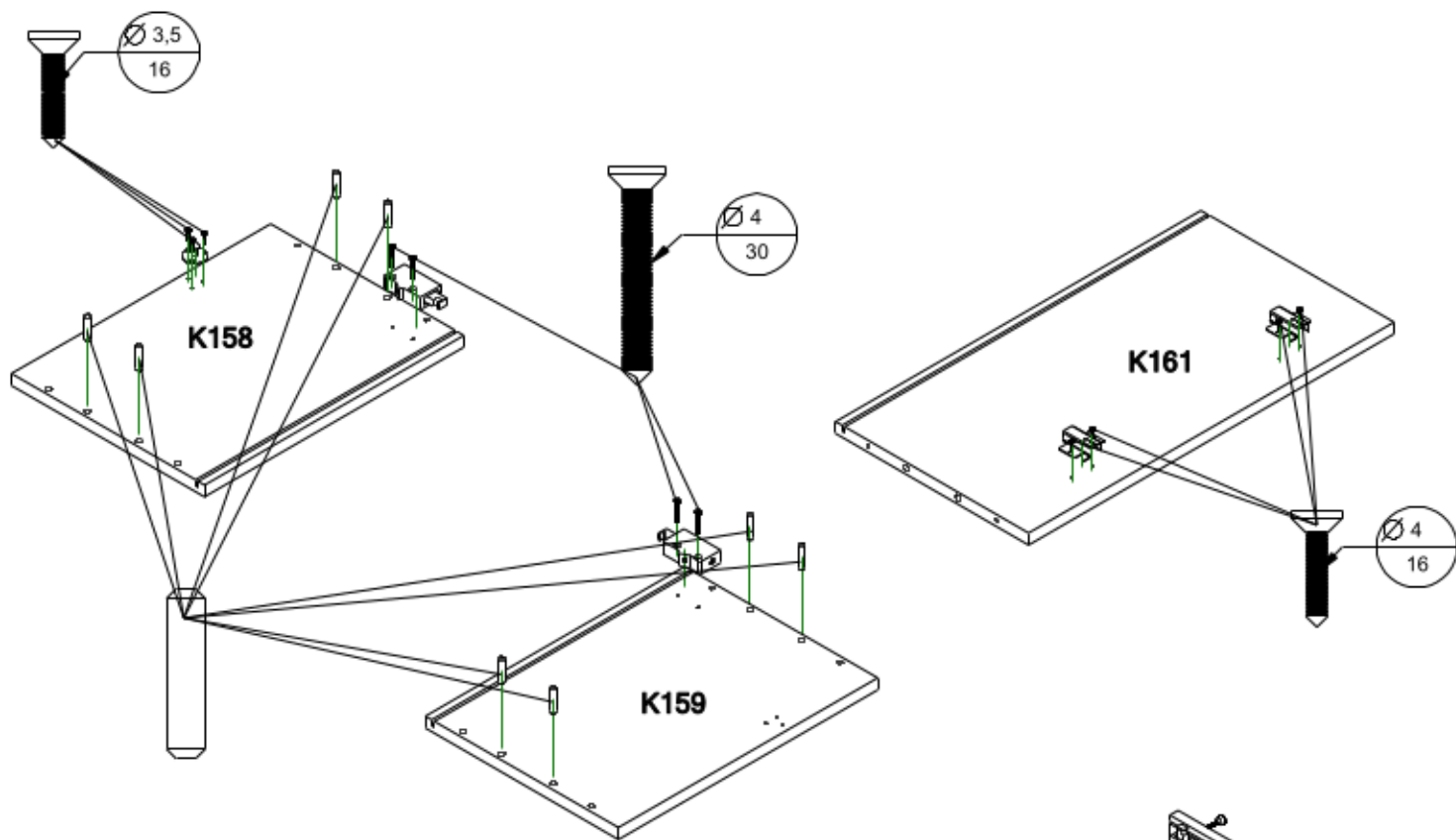
# G50/60 ok



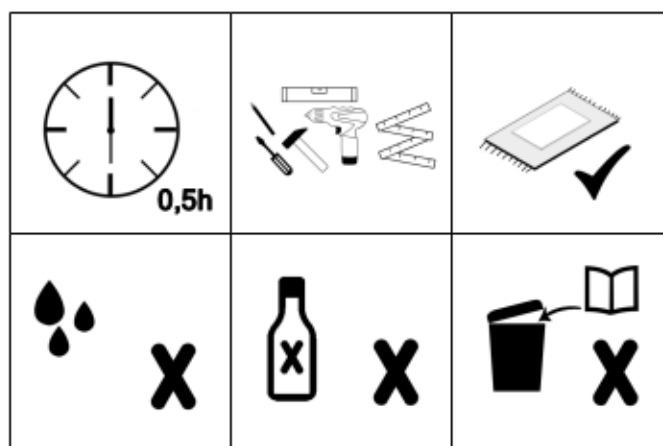
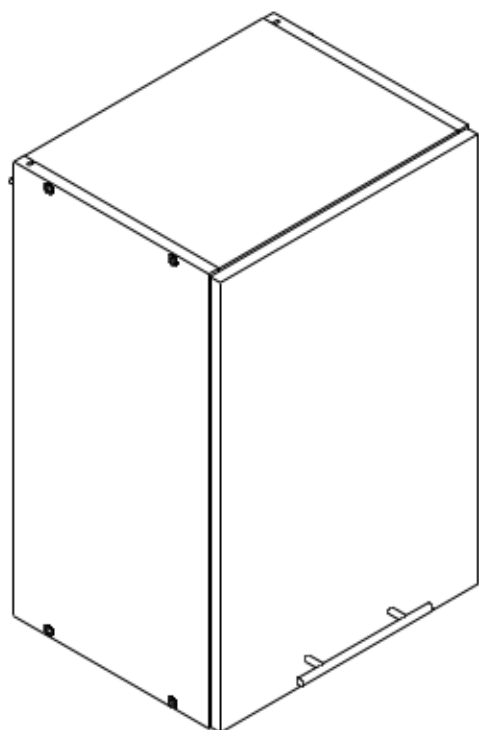
 0,5h		
 X	 X	 X













A  x8	B  x8	C  x2
D  x2	E  x9 $\varnothing 3,5$ 16	F  x4 $\varnothing 4$ 16
G  x4 $\varnothing 4$ 30	H  x2	J  x1
K  x1	L  x1	M  x1

	G50ok	G60ok
K158	360x300	360x300
K159	360x300	360x300
K160	468x300	568x300
K161	468x300	568x300
K162	496x355	596x355
K163	482x343	582x343

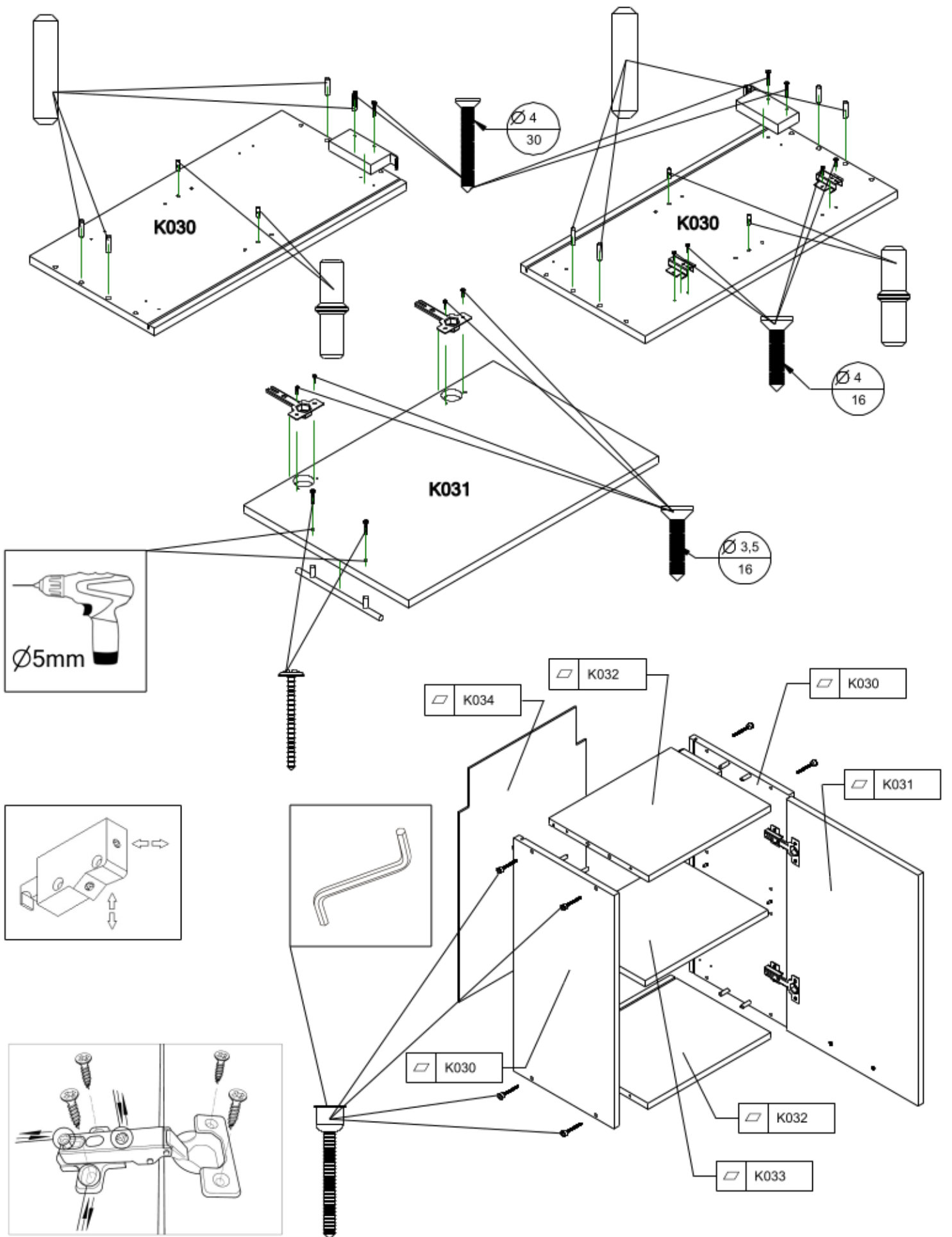


# G30/40/60 1F

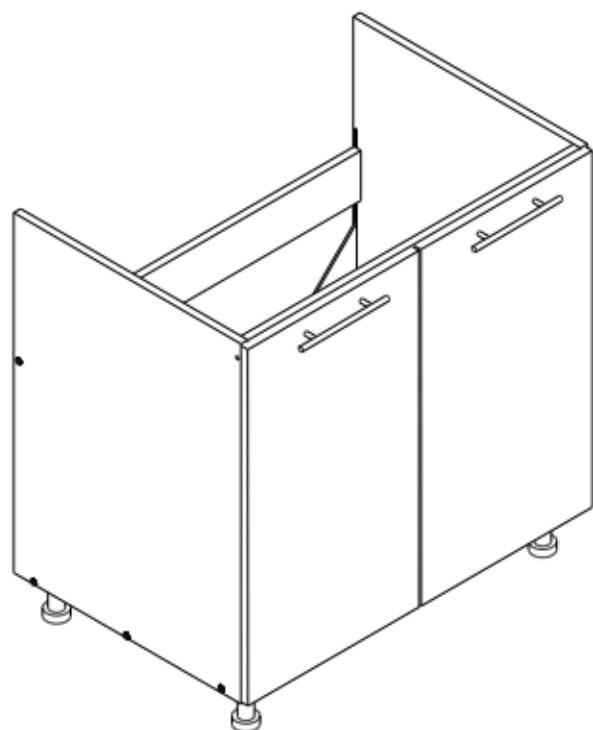




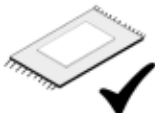



A  x8	B  x8	C  x1
D  x2	E  x2	F  x2
G  $\begin{matrix} \text{Ø } 3,5 \\ 16 \end{matrix}$ x4	H  $\begin{matrix} \text{Ø } 4 \\ 16 \end{matrix}$ x4	J  $\begin{matrix} \text{Ø } 4 \\ 30 \end{matrix}$ x4
K  x2	L  x4	M  x1






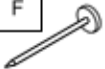
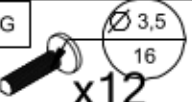





	G30	G40	G60
K030	2x 606x300	2x 606x300	2x 606x300
K031	296x600	396x600	596x600
K032	2x 368x300	2x 368x300	2x 568x300
K033	511x268	511x368	511x568
K034	586x281	586x381	586x581



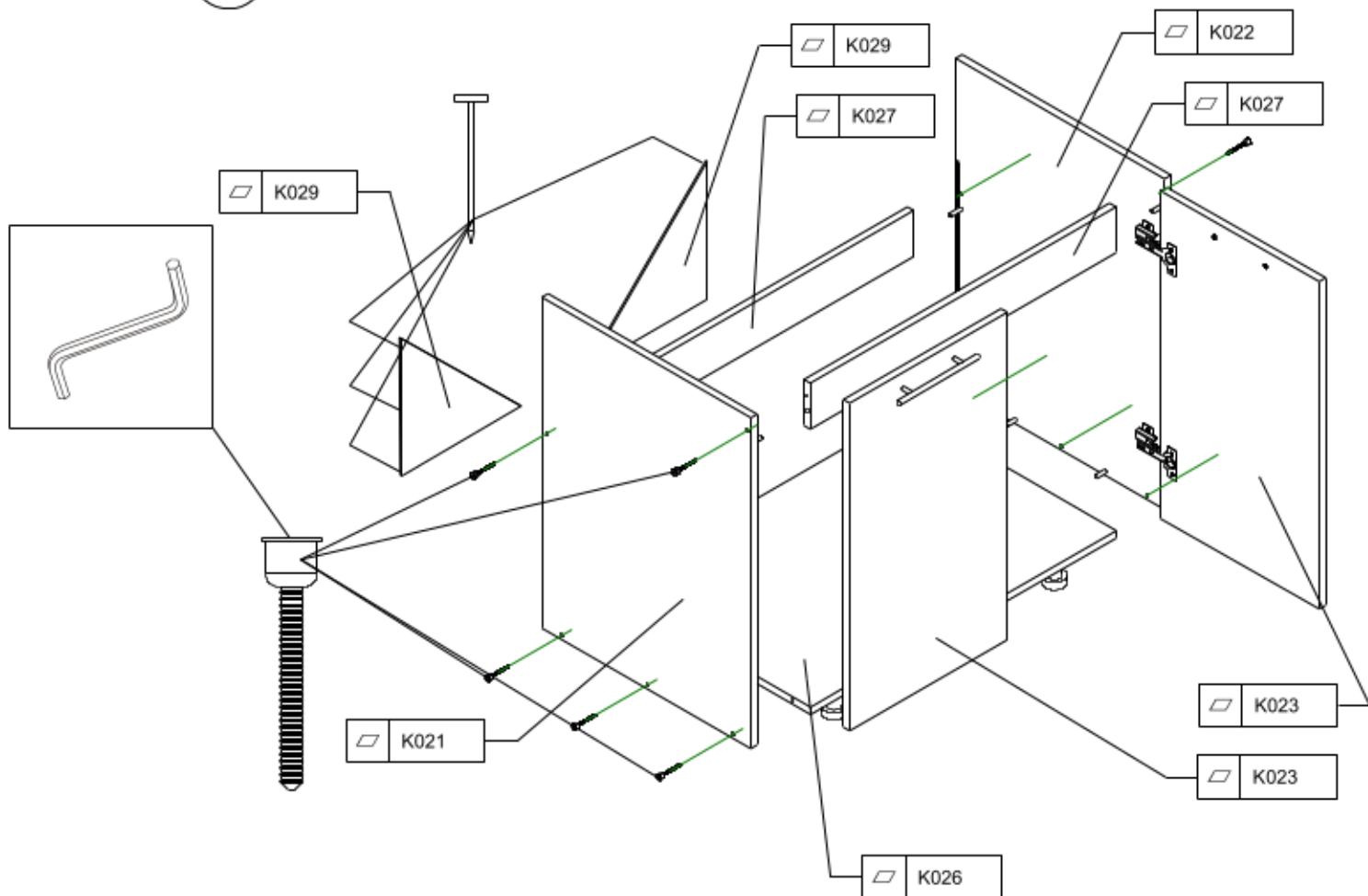
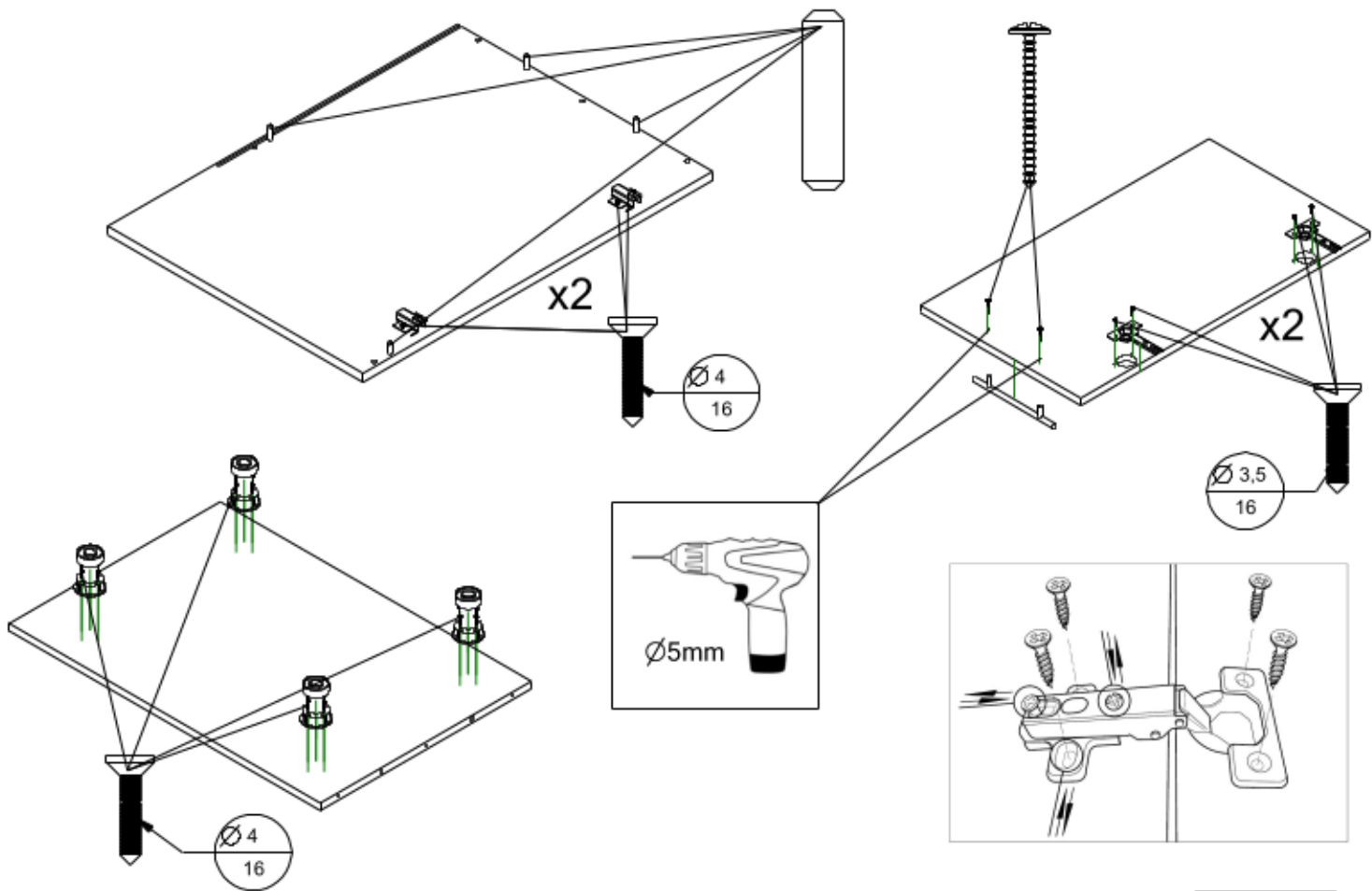
# D 80zi



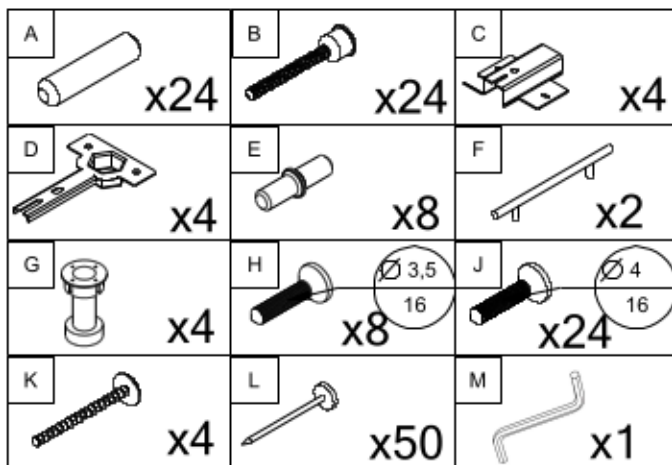
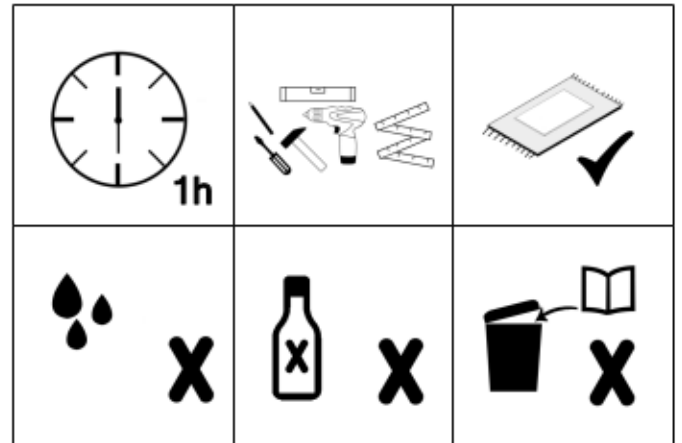
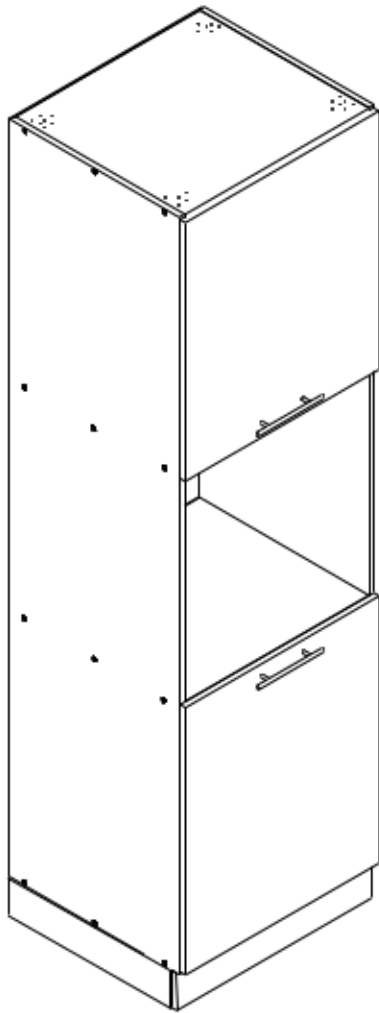
 0,5h		
 X	 X	 X

A  x8	B  x10	C  x4
D  x4	E  x2	F  x1
G  x12	H  x16	J  x4
K  x4	L  x2	M  x1

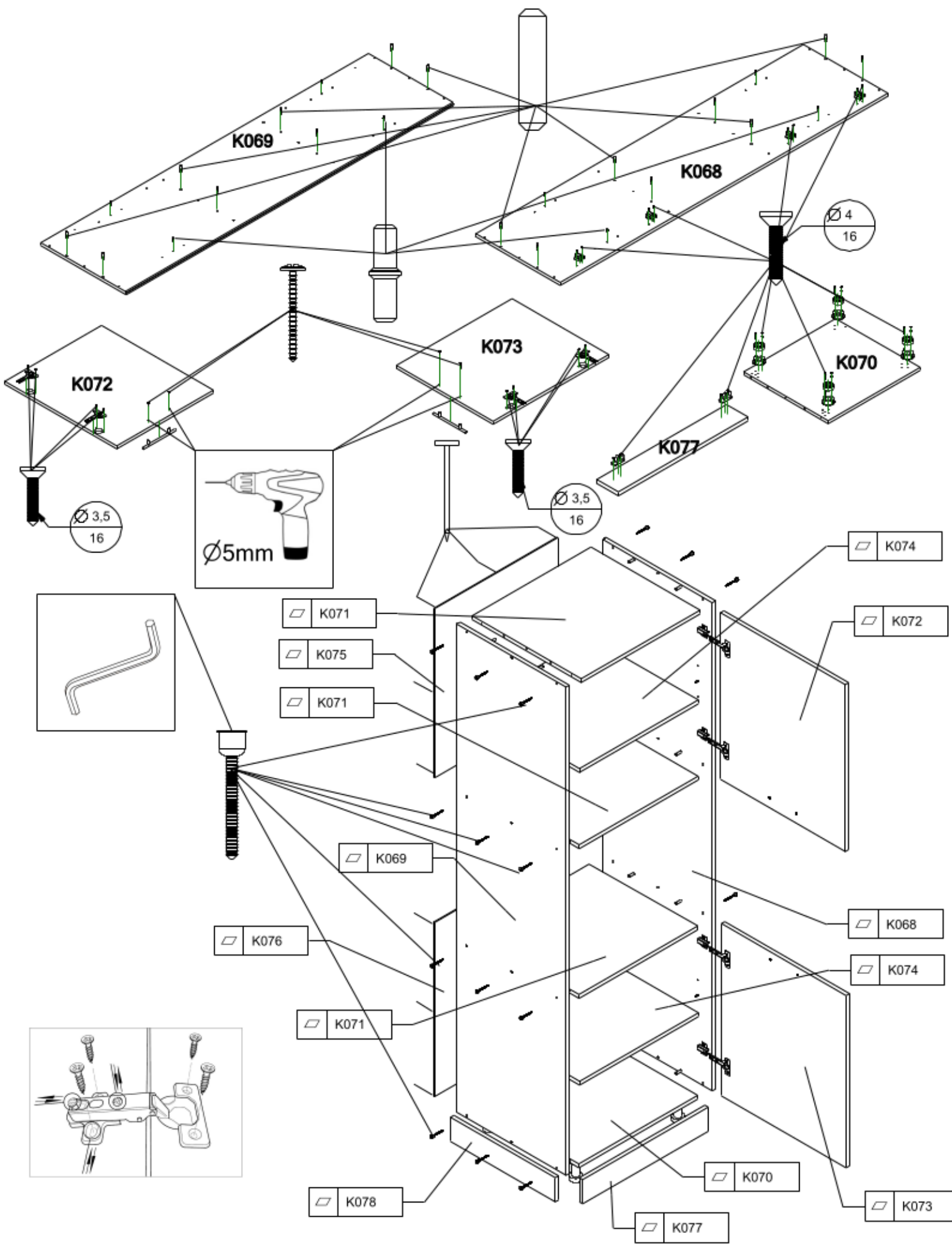
K121	720x525
K122	720x525
K126	768x521
K127	2x 768x100
K029	2x TRÓKAŹ
K023	2x 713x396



# D60ku

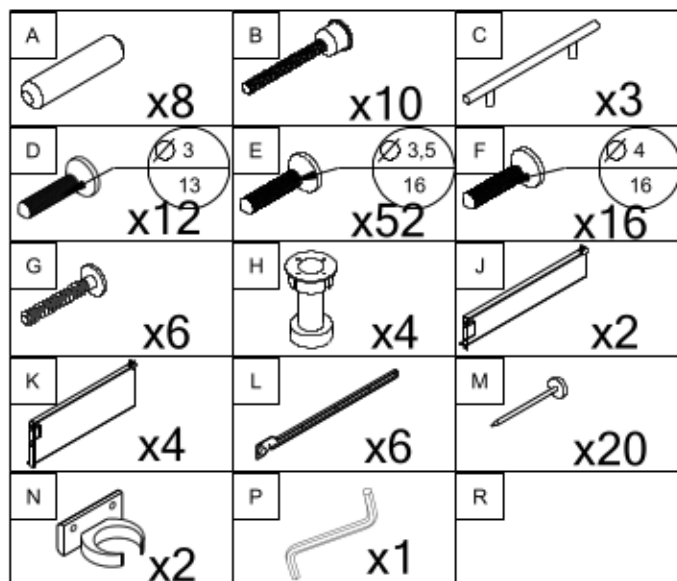
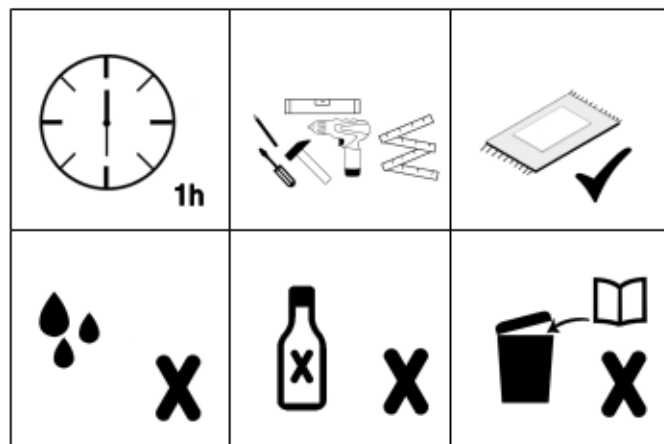
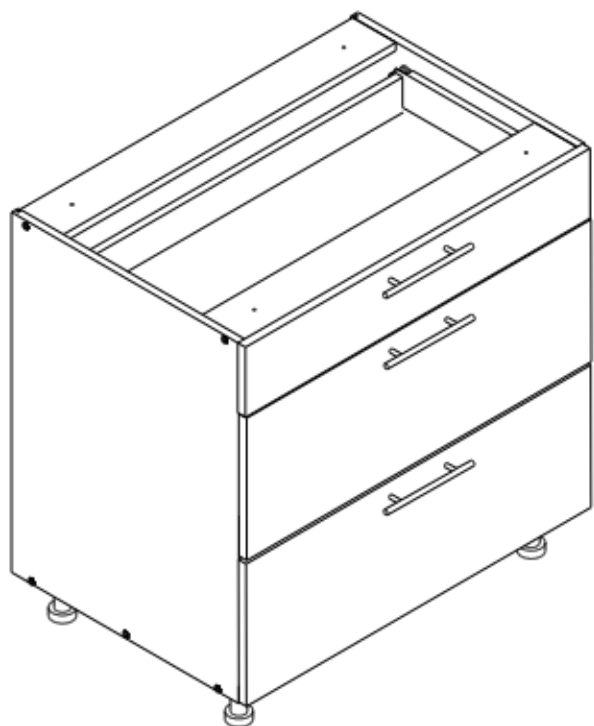


<b>K068</b>	<b>1926x560</b>
<b>K069</b>	<b>1926x560</b>
<b>K070</b>	<b>568x556</b>
<b>K071</b>	<b>3x 568x556</b>
<b>K072</b>	<b>600x596</b>
<b>K073</b>	<b>713x596</b>
<b>K074</b>	<b>2x 586x537</b>
<b>K075</b>	<b>600x585</b>
<b>K076</b>	<b>719x585</b>
<b>K077</b>	<b>600x100</b>
<b>K078</b>	<b>540x100</b>

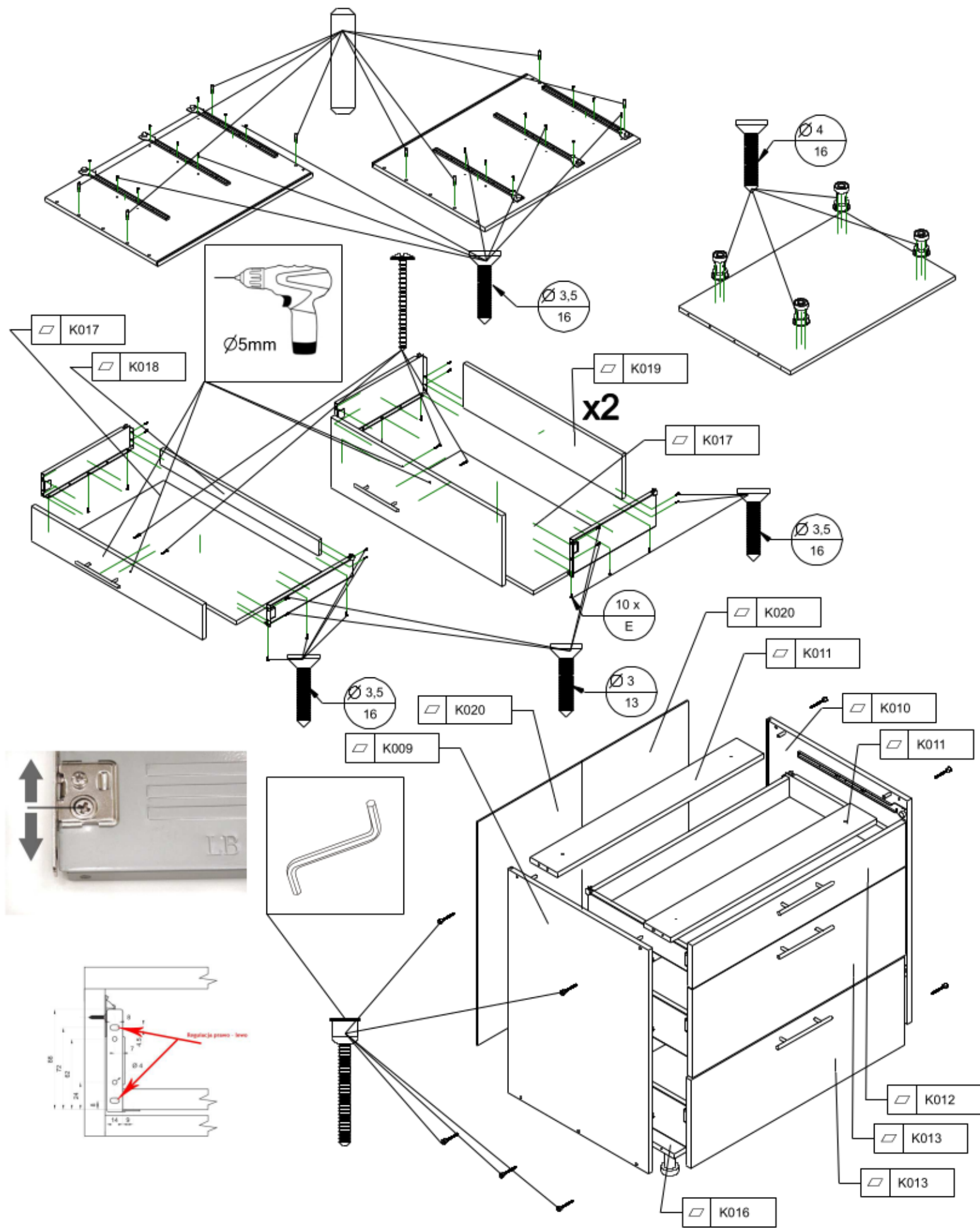




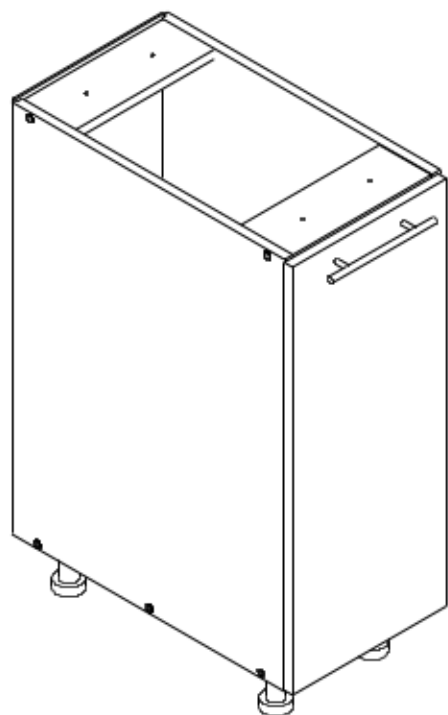
# D60 3sz/D80 3sz



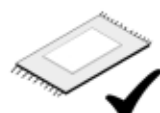












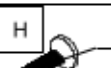





	D80 3sz	D60 3sz
K009	720x525	720x525
K010	720x525	720x525
K011	2x 768x100	2x 568x100
K012	796x140	596x140
K013	2x 796x284	2x 596x284
K016	768x521	568x521
K017	3x 737x398	3x 537x398
K018	736x61	536x61
K019	2x 736x180	2x 536x180
K020	2x 719x390	2x 719x290



# D 30/40/60 1F



 0,5h		
 X	 X	 X

A  x8	B  x10	C  x2
D  x2	E  x1	F  x4
G  $\varnothing 3,5$ 16 x8	H  $\varnothing 4$ 16 x20	J  x2
K  x4	L  x20	M  x2
N  x1		

	D30	D40	D60
K001	720x525	720x525	720x525
K002	720x525	720x525	720x525
K003	713x296	713x396	713x596
K004	521x268	521x368	521x568
K006	2x 268x100	2x 368x100	2x 568x100
K007	511x268	511x368	511x568
K008	719x286	719x386	719x586

