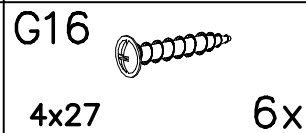
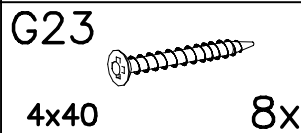
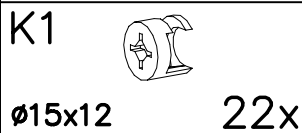
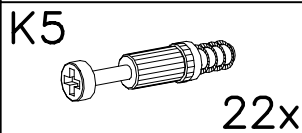
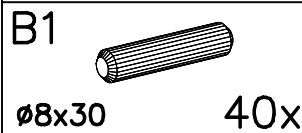
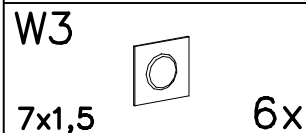
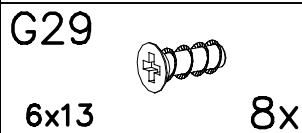
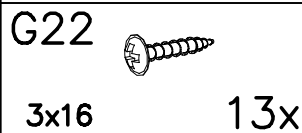
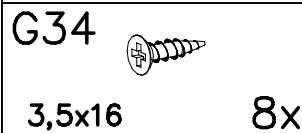
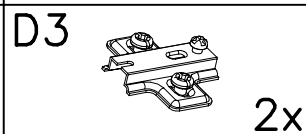
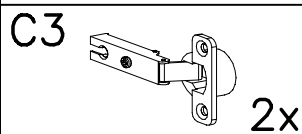
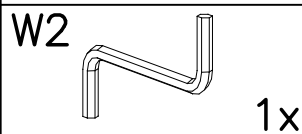
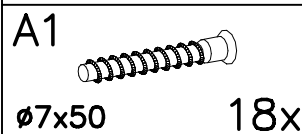
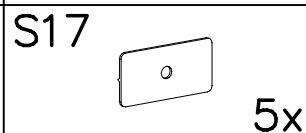
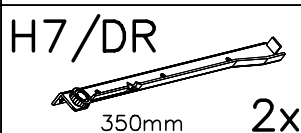
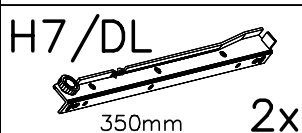
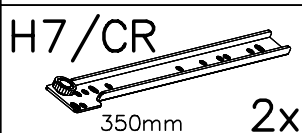
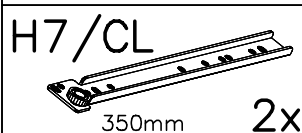
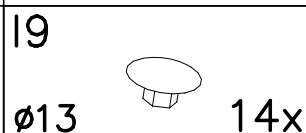
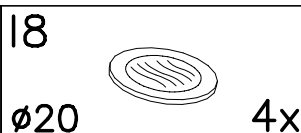
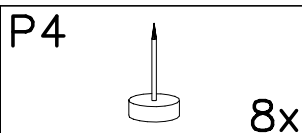
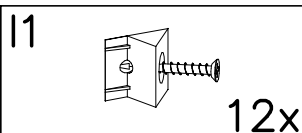
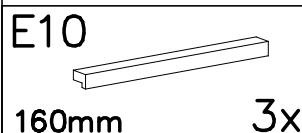
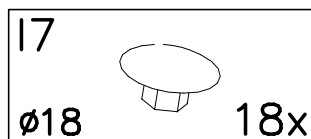
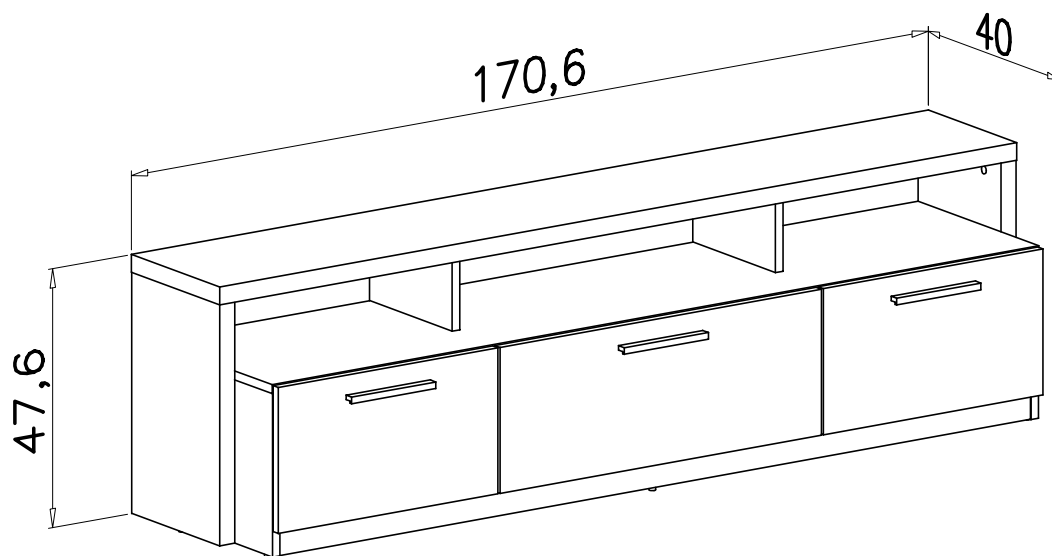
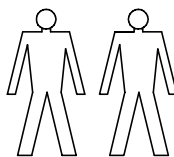
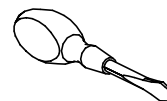
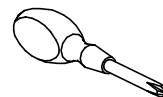
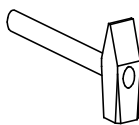
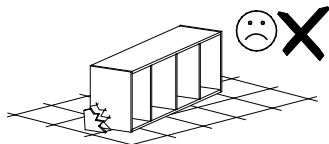
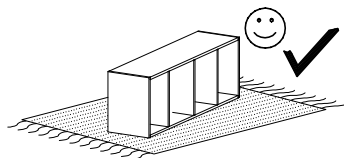


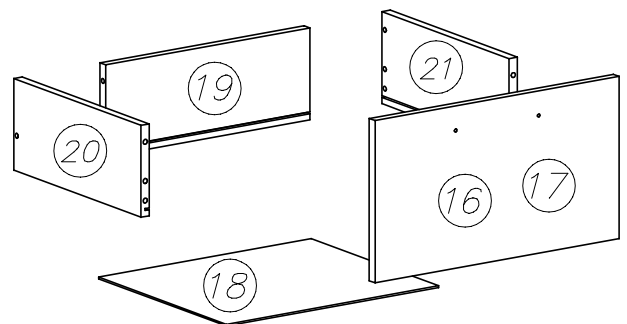
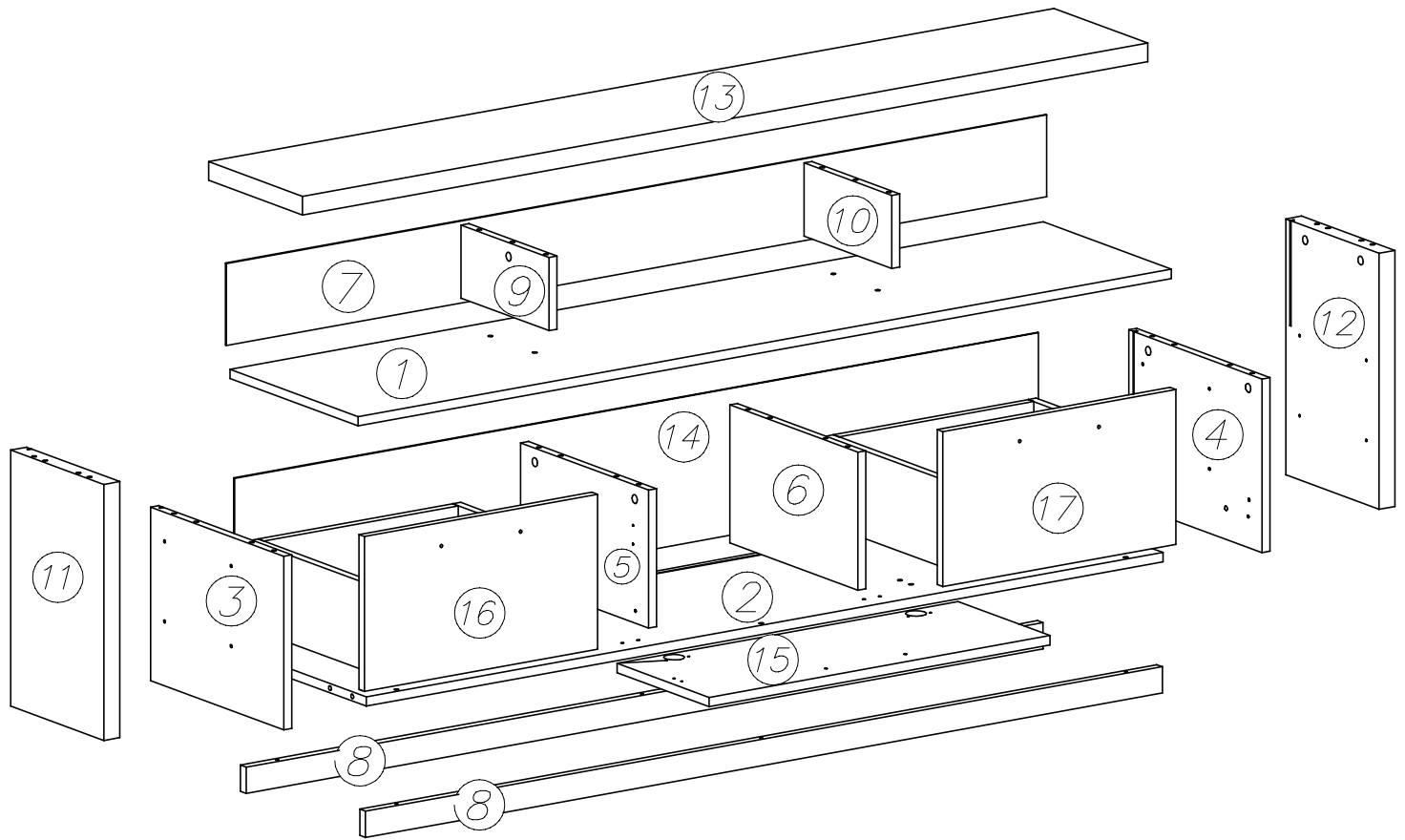
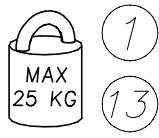
MONTAGEANLEITUNG
INSTRUKCJA MONTAŻU
FITTING-UP INSTRUCTION
ІНСТРУКЦІЯ МОНТАЖУ
ИНСТРУКЦИЯ СБОРКИ

MONTÁŽNY NÁVOD
INSTRUCTIONS POUR LE MONTAGE
INSTRUCCIONES DE MONTAJE
SZERELÉSI ÚTMUTATÓ
UPUTE ZA SASTAVLJANJE

Notwendiges Montagewerkzeug:
Do montażu potrzebne są:
You need for fitting-up:
Для монтажу потрібно:
Для сборки нужны:

Pour le montage il faut:
Para realizar el montaje es necesario:
K montá i potrebuje:
A szereléshez szükséges:
Za sastavljanje su potrebne:

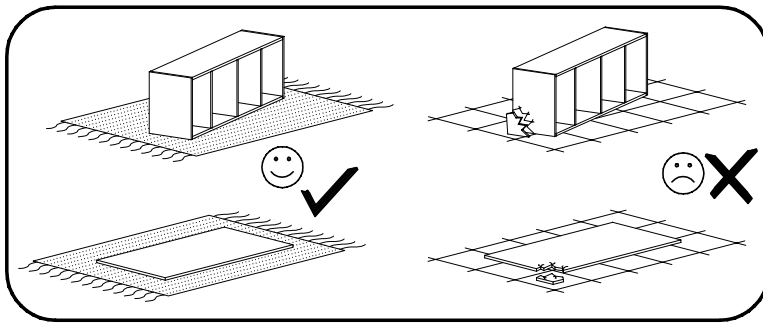



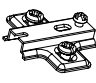
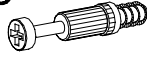




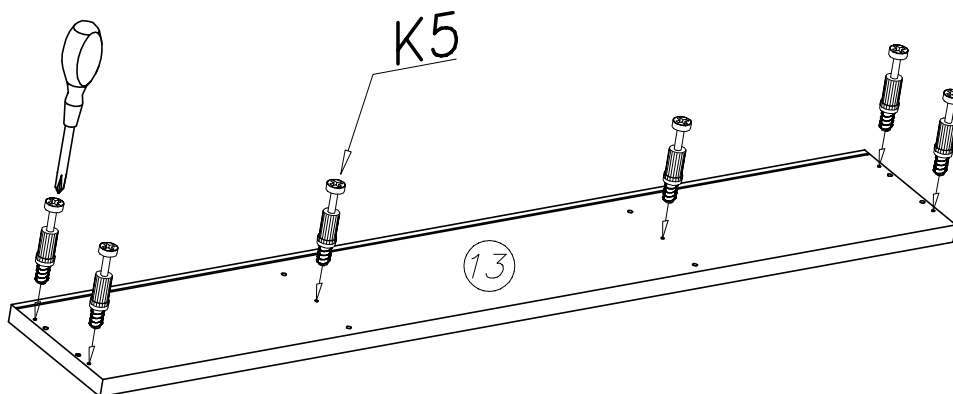
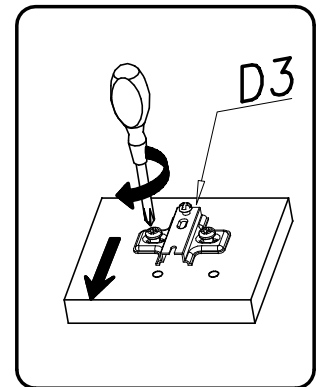
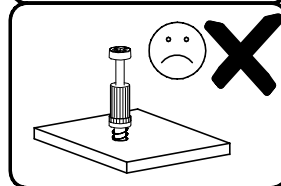
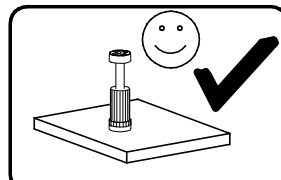
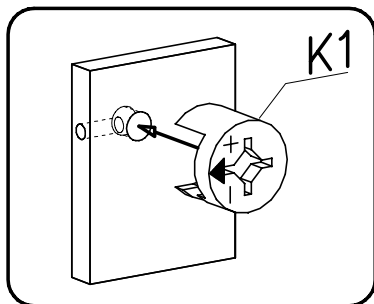
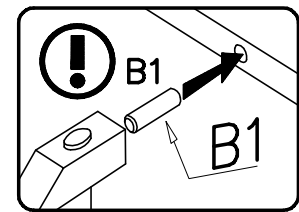
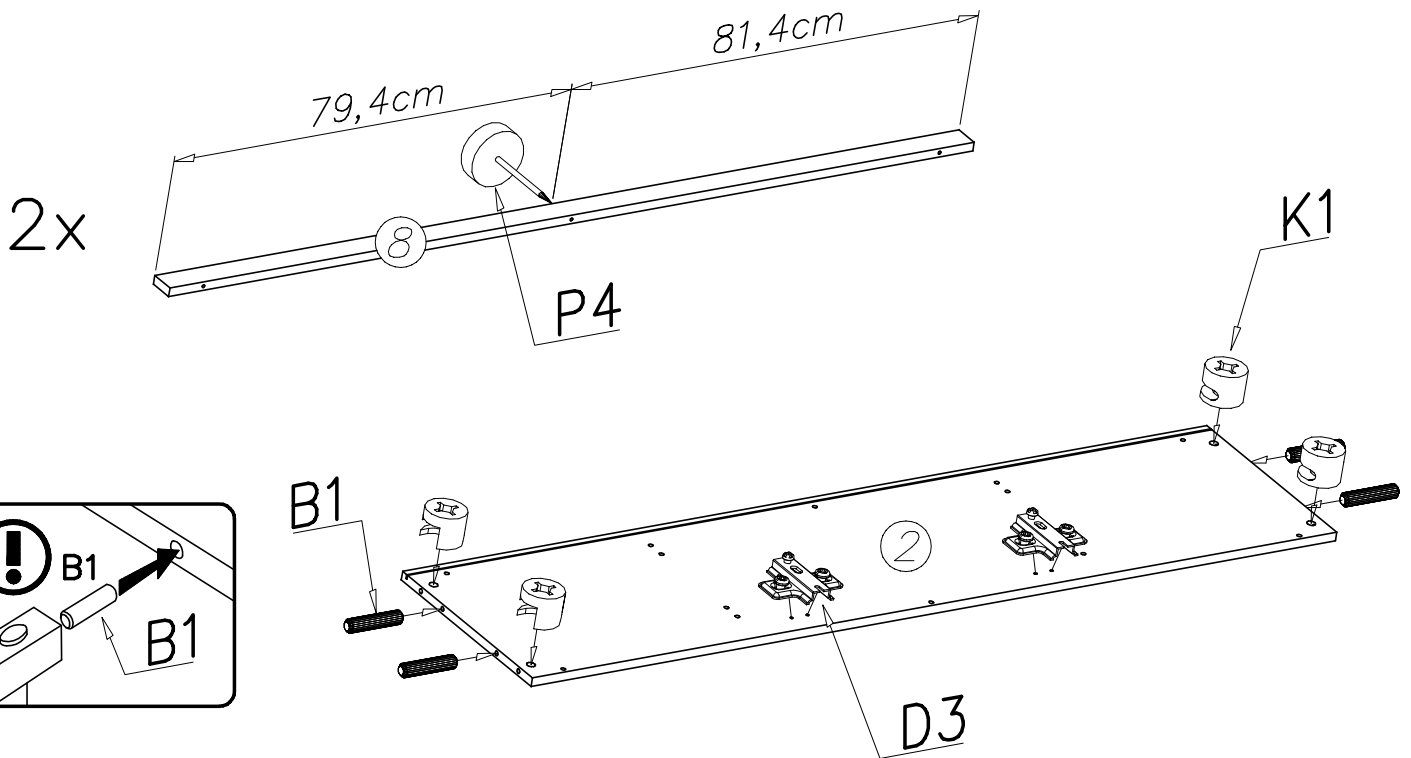
1/2 (3) (4) (5) (6) (9) (10) (11) (12) (18) (19) (20) (21)

2/2 (1) (2) (7) (8) (13) (14) (15) (16) (17)

1

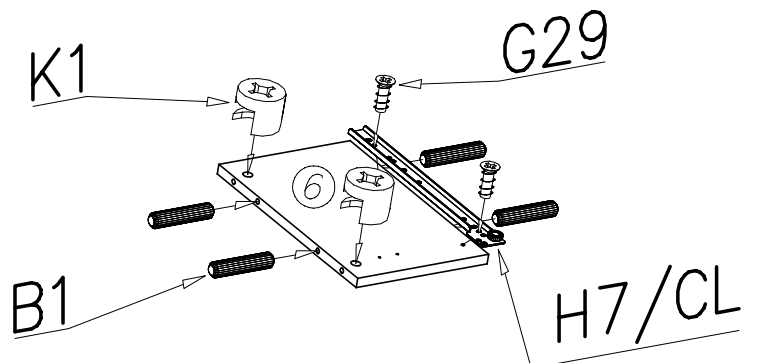
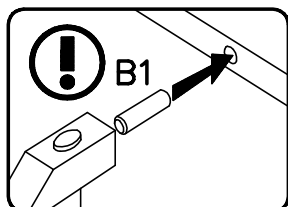
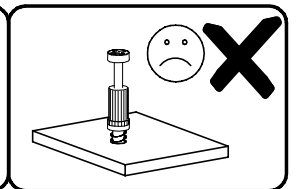
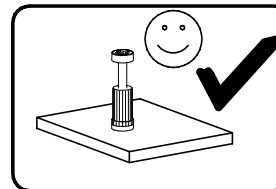
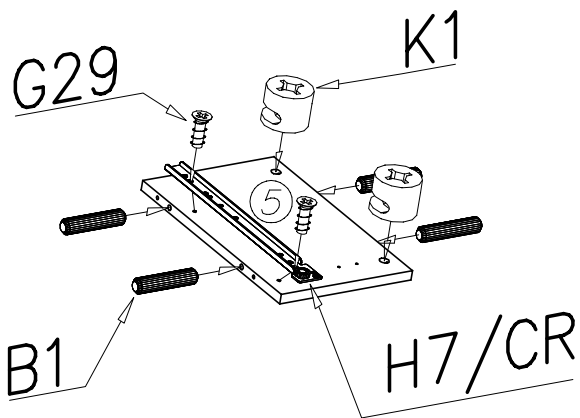
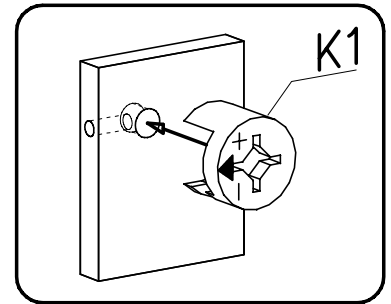
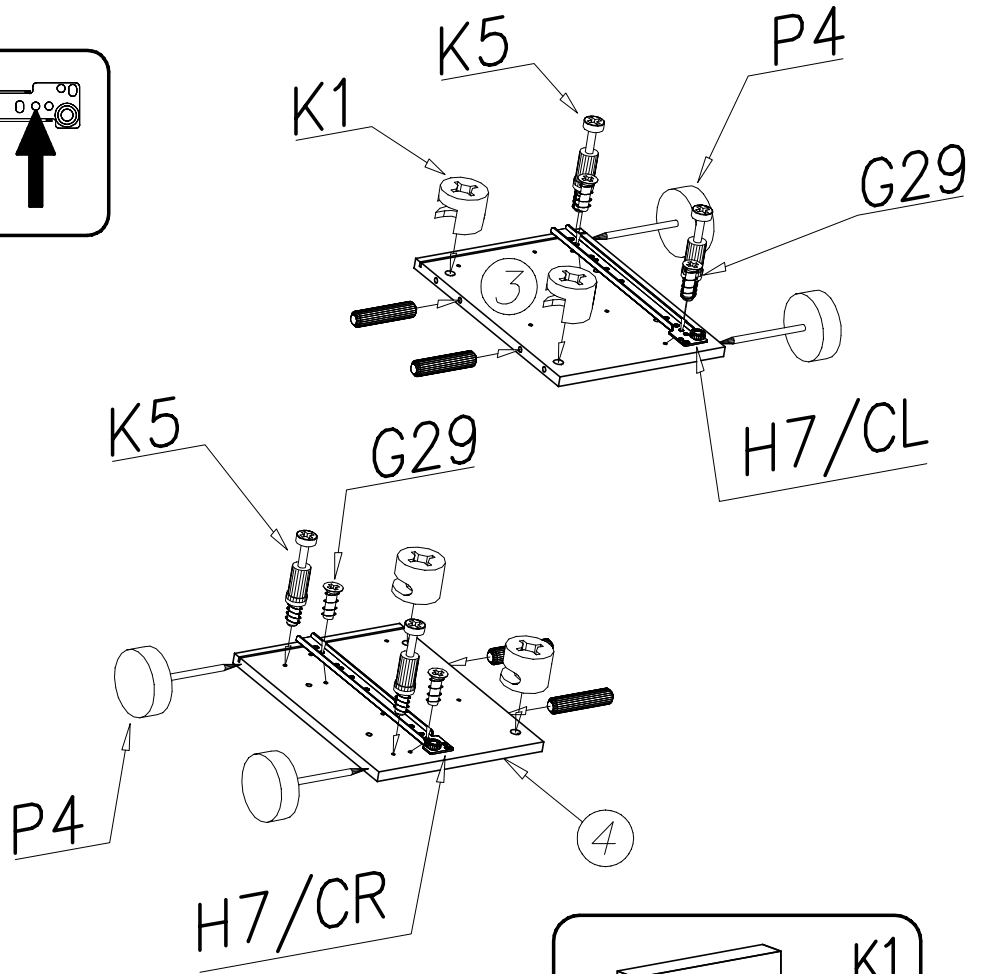
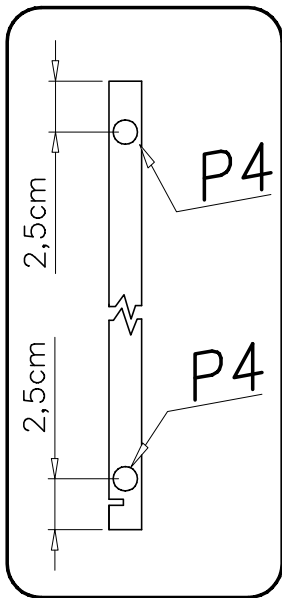
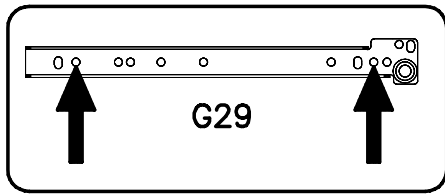


| | | | | | |
|----|-------------------------------------------------------------------------------------|----|----|-------------------------------------------------------------------------------------|----|
| P4 |  | 2x | D3 |  | 2x |
| K5 |  | 6x | B1 |  | 4x |
| | | | | Ø8x30 | |
| | | | K1 |  | 4x |
| | | | | Ø15x12 | |

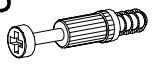
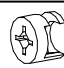




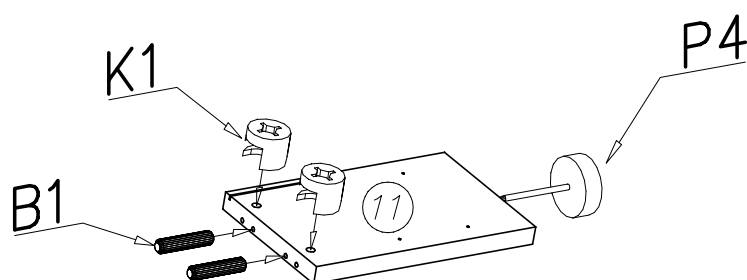
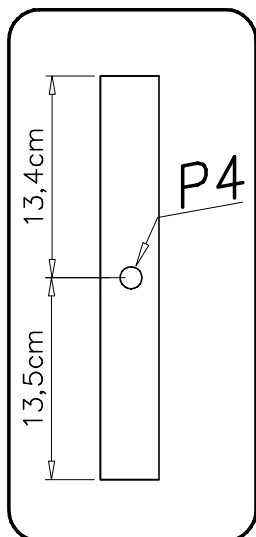
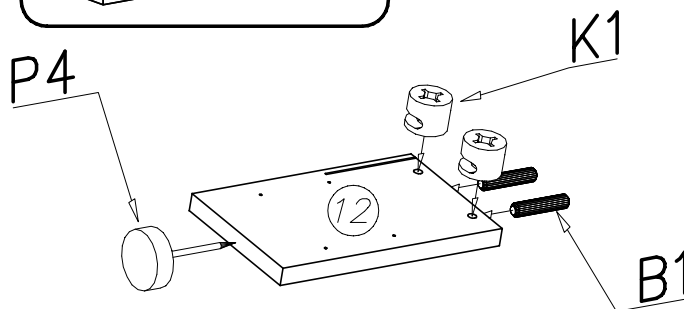
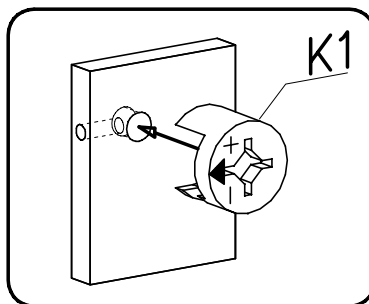
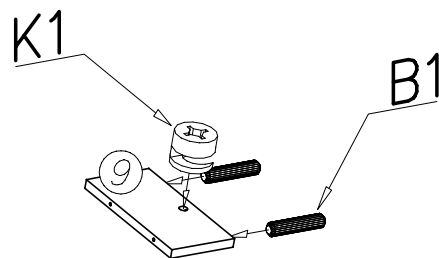
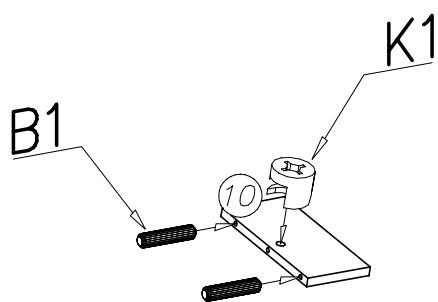
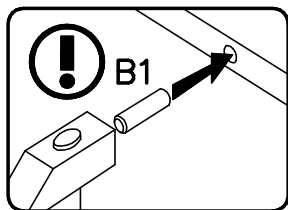
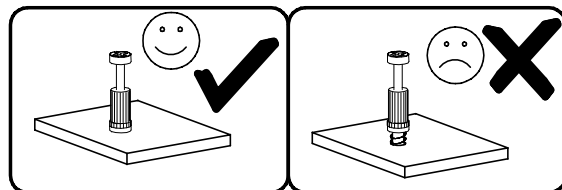
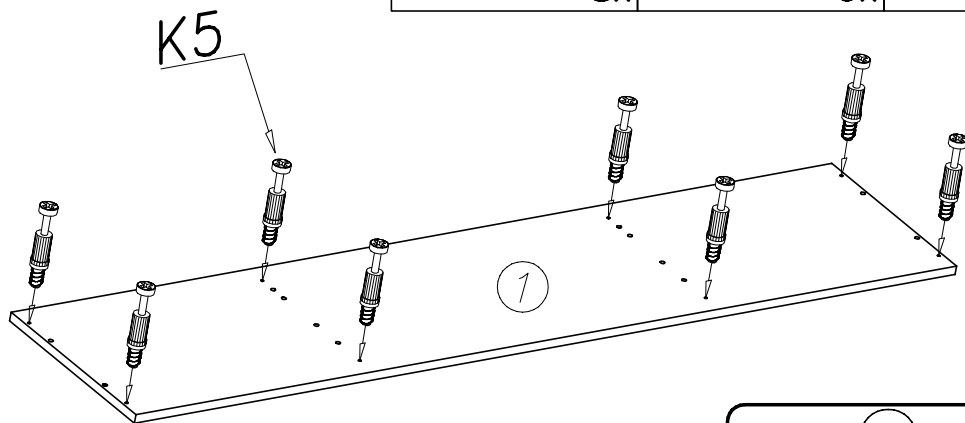
2

| | | | |
|--------------------|----------------------|----------------------|-------------------|
| B1 Ø8x30 12x | H7/CL 350mm 2x | H7/CR 350mm 2x | G29 6x13 8x |
| P4 4x | K5 4x | K1 Ø15x12 8x | |

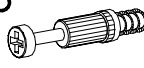




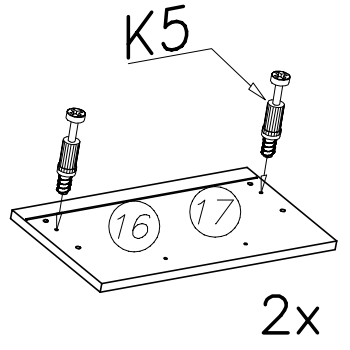
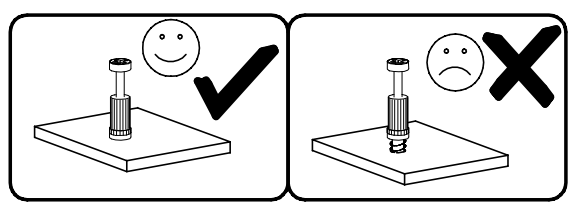
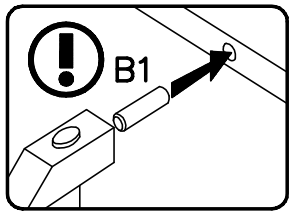
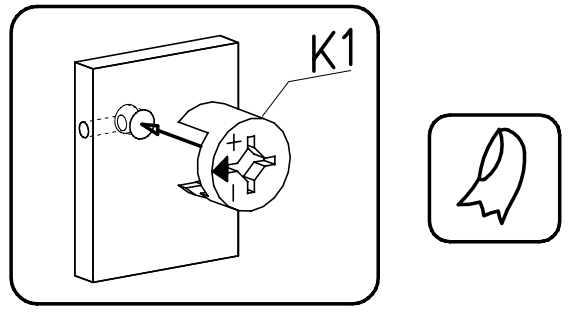
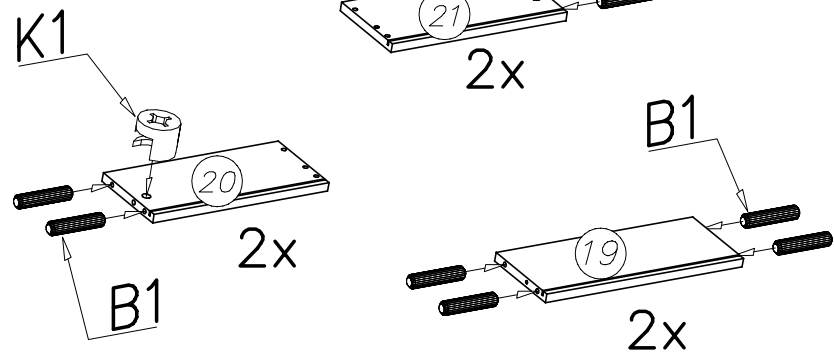
3

| | | | |
|-------------------------------------------------------------------------------------------------------------------|----------------------------------------------------------------------------------------|--------------------------------------------------------------------------------------------------------------------|------------------------------------------------------------------------------------------|
| K5  8x $\varnothing 15 \times 12$ | K1  6x | P4  2x $\varnothing 8 \times 30$ | B1  8x |
|-------------------------------------------------------------------------------------------------------------------|----------------------------------------------------------------------------------------|--------------------------------------------------------------------------------------------------------------------|------------------------------------------------------------------------------------------|

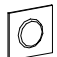

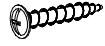
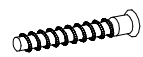
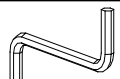


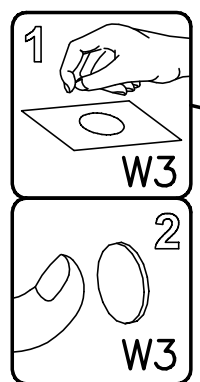
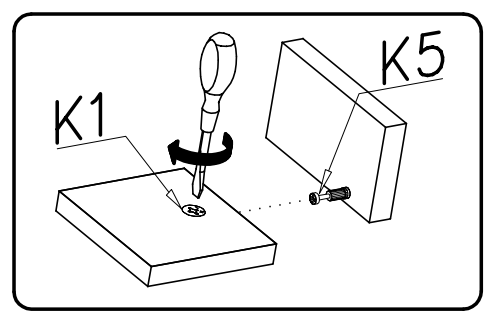
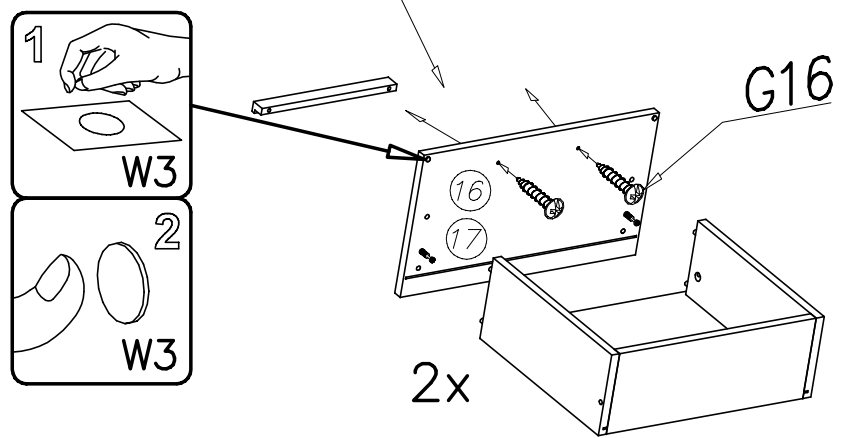
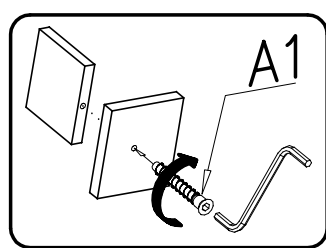
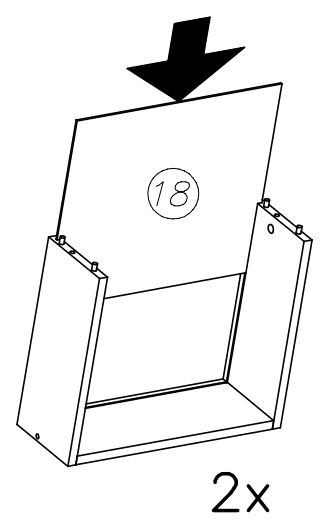
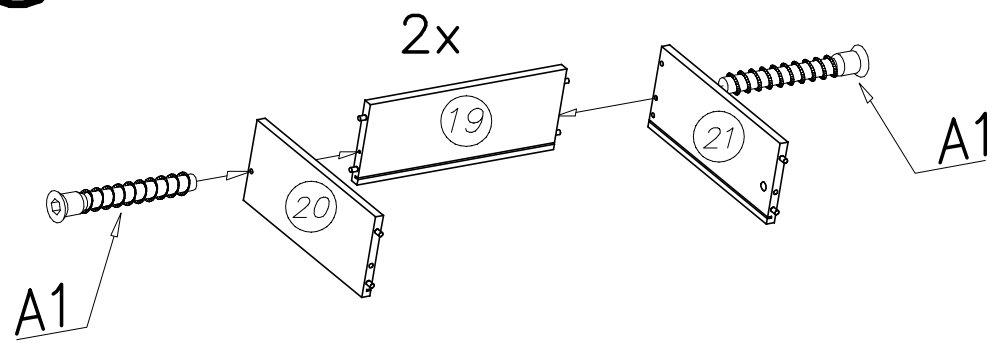
4

| | | | | | |
|----|-----------------------------------------------------------------------------------|----|------------------------------------------------------------------------------------|-----|------------------------------------------------------------------------------------|
| K5 |  | K1 |  | B1 |  |
| 4x | ø15x12 | 4x | ø8x30 | 16x | |



5

| | | | | | | | | | |
|-------|------------------------------------------------------------------------------------|-------|------------------------------------------------------------------------------------|------|-------------------------------------------------------------------------------------|-------|--------------------------------------------------------------------------------------|----|--------------------------------------------------------------------------------------|
| W3 |  | E10 |  | G16 |  | A1 |  | W2 |  |
| 7x1,5 | 4x | 160mm | 2x | 4x27 | 4x | ø7x50 | 4x | | 1x |



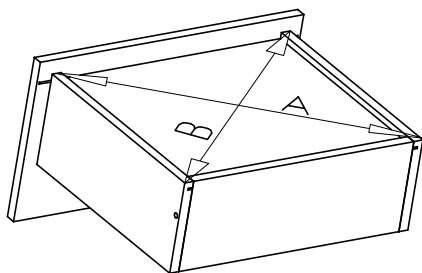
6

G22
3x16

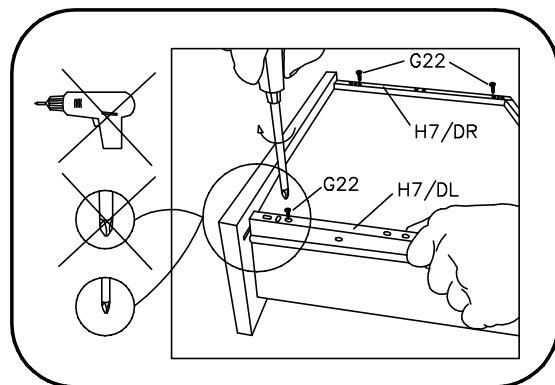
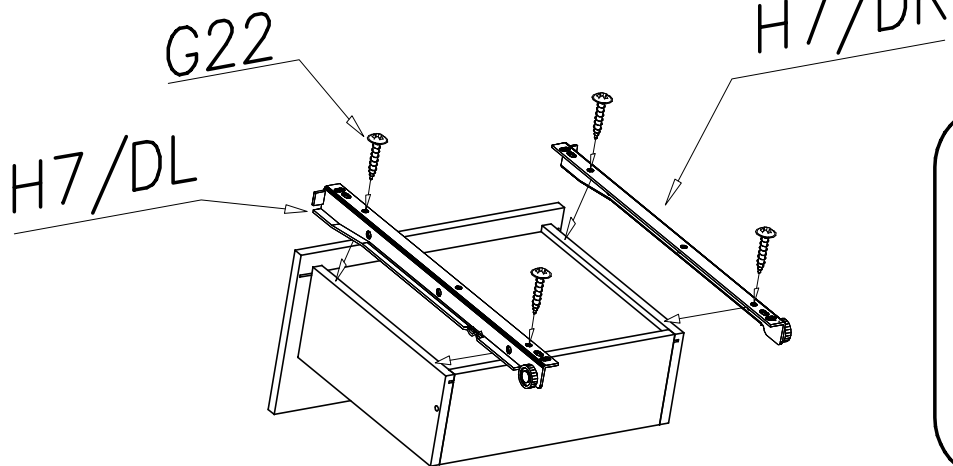
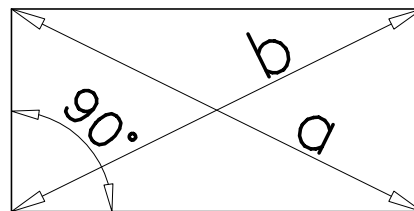
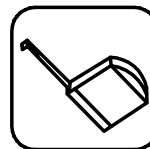
8x

H7/DL
350mm 2x

H7/DR
350mm 2x



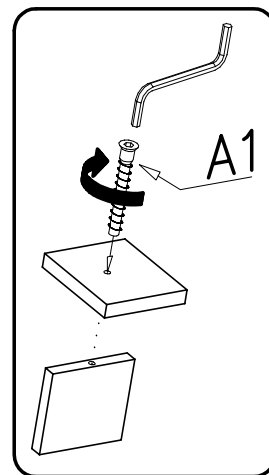
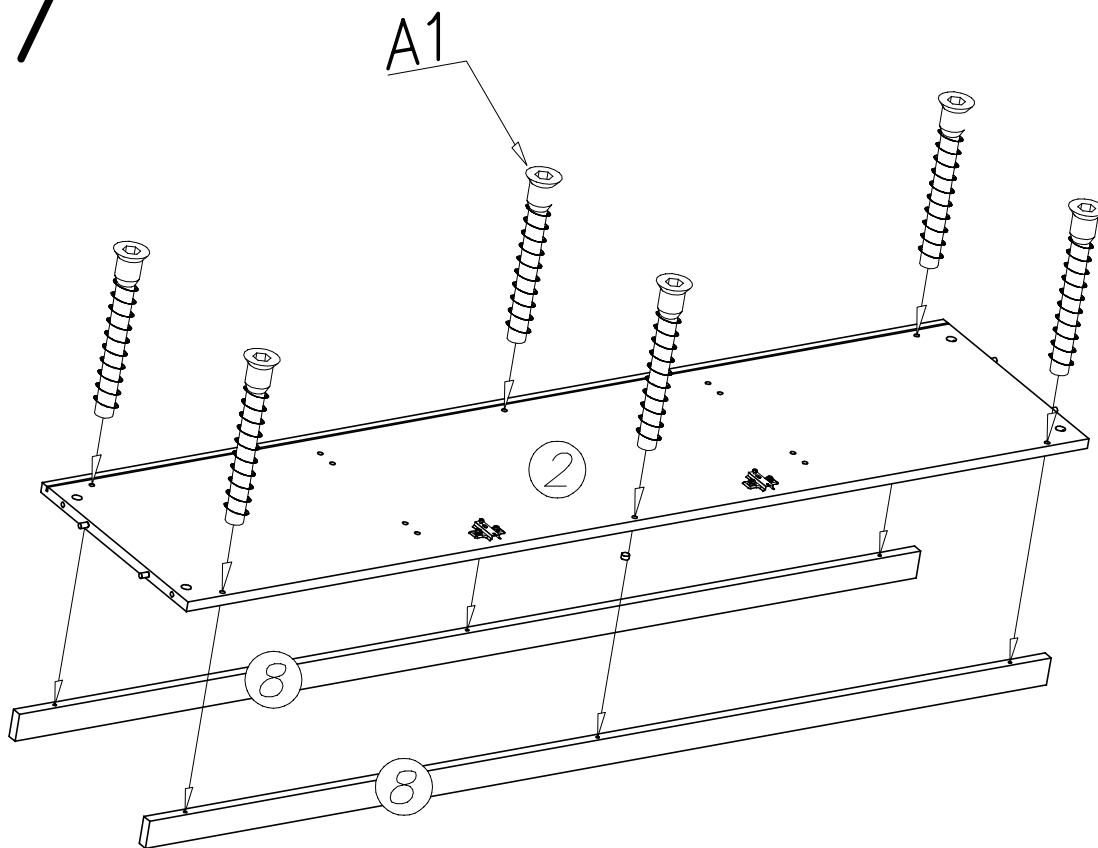
a=b



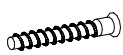
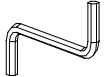
7

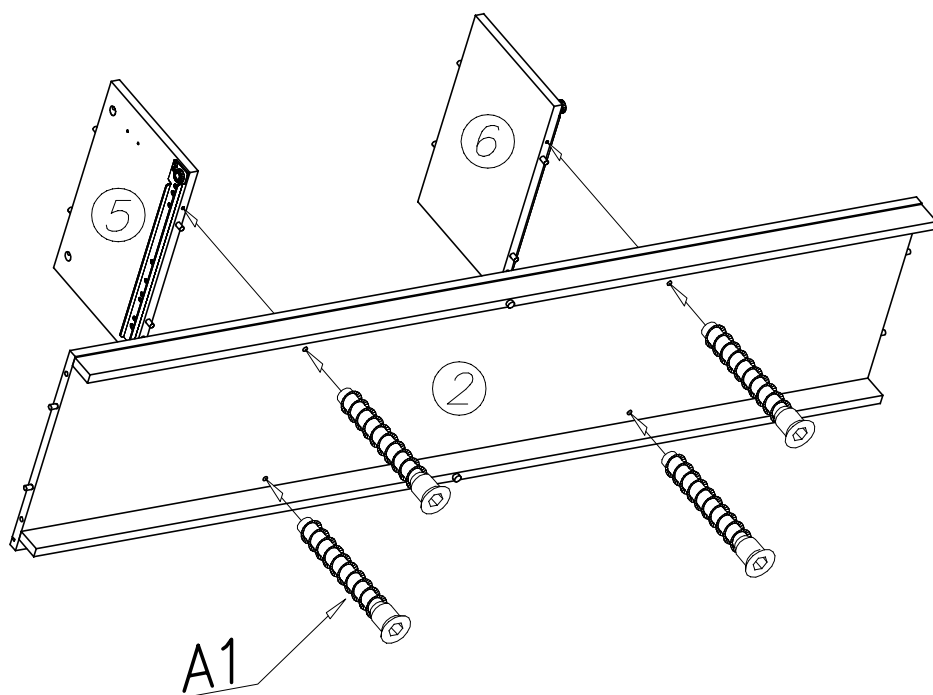
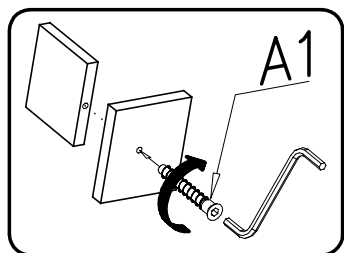
A1
ø7x50 6x

W2 1x

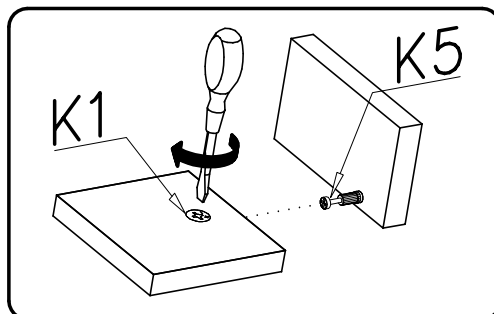
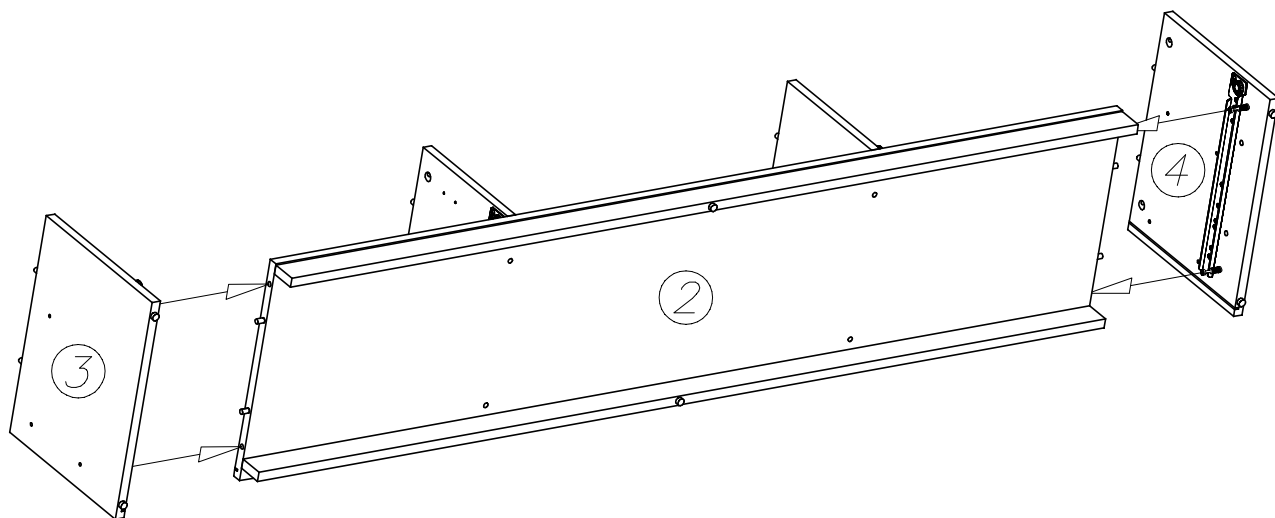


8

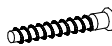
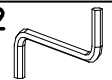
A1  W2 
ø7x50 4x 1x

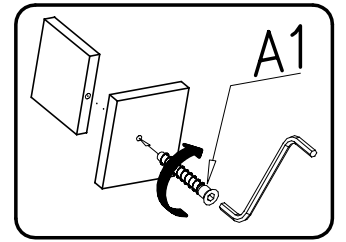
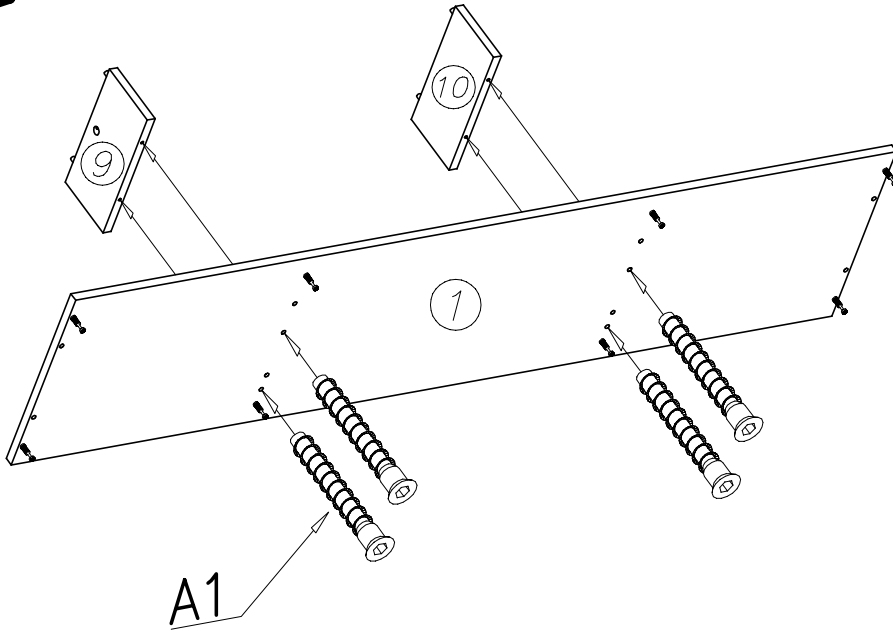


9

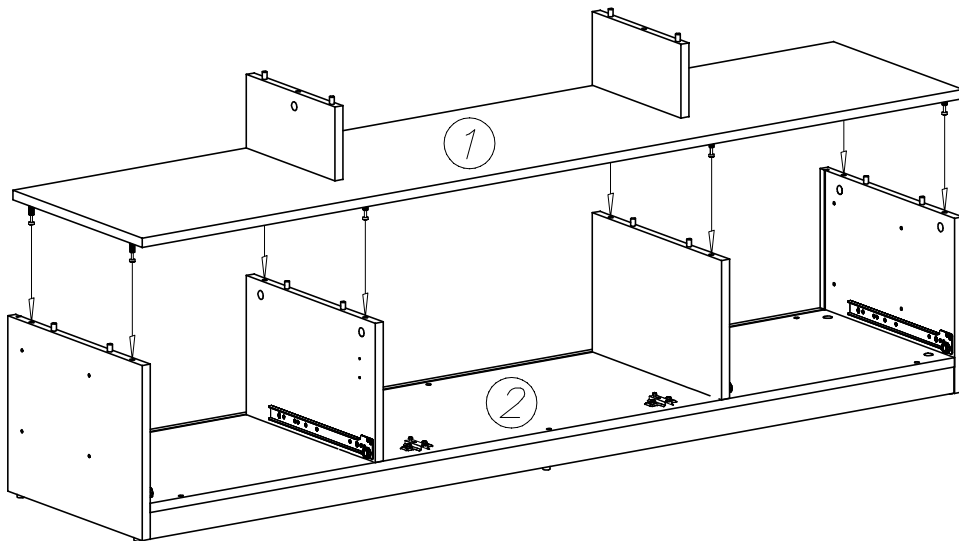
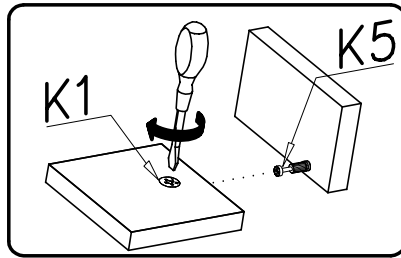


10

| | | | |
|-------|-----------------------------------------------------------------------------------|----|------------------------------------------------------------------------------------|
| A1 |  | W2 |  |
| ø7x50 | 4x | | 1x |

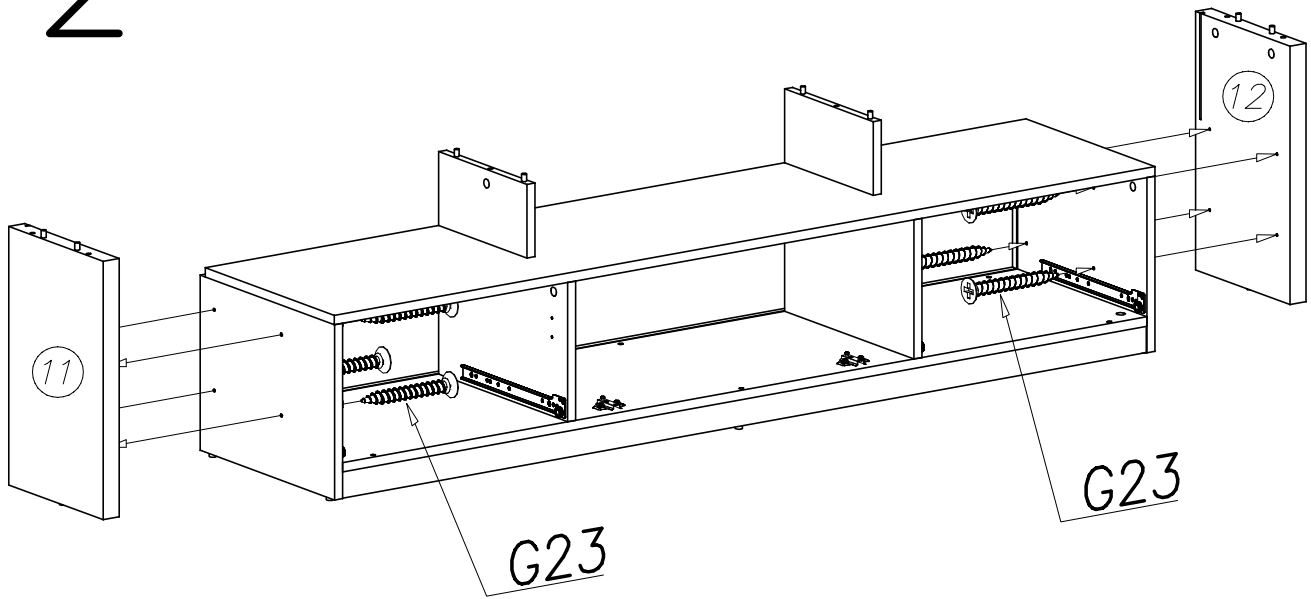


11

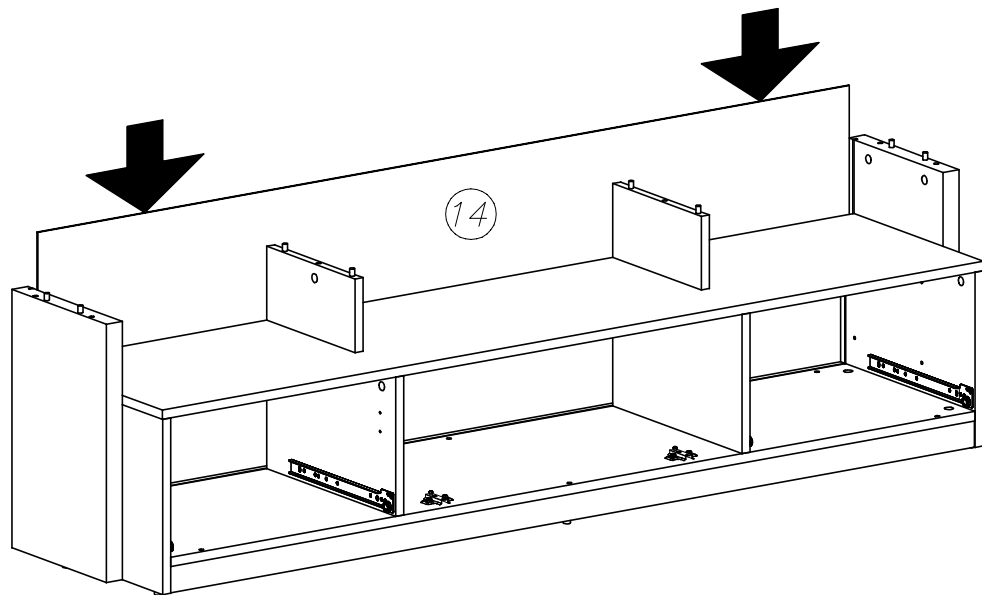


12

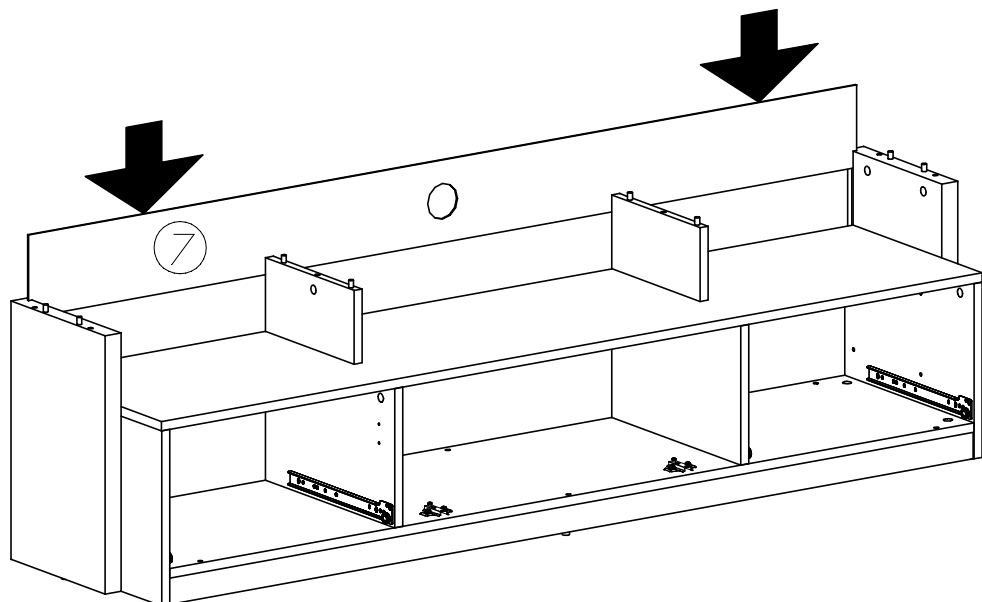
G23
4x40 8x



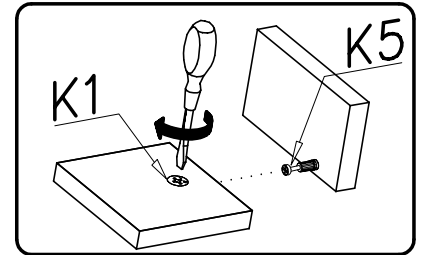
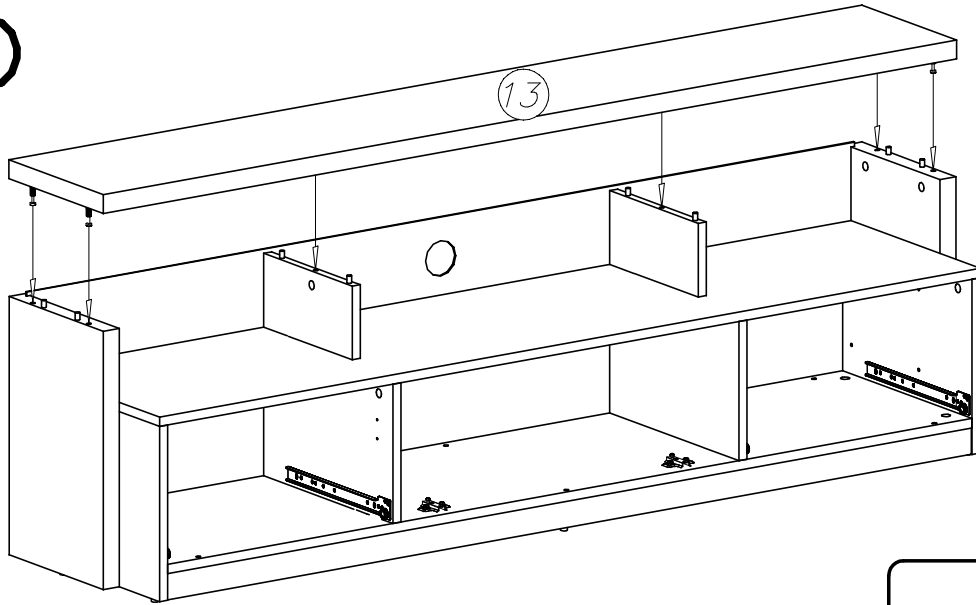
13



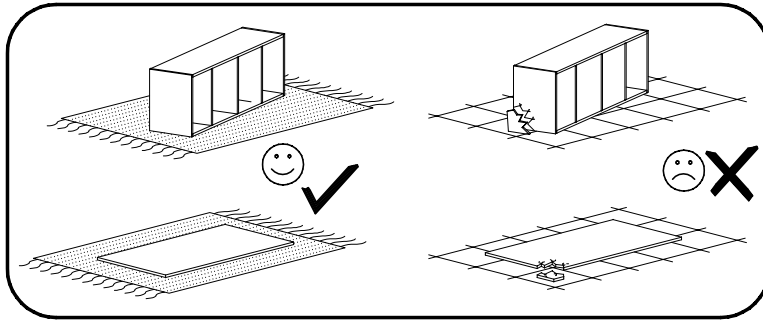
14

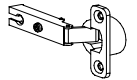



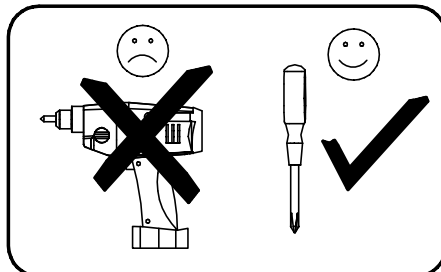
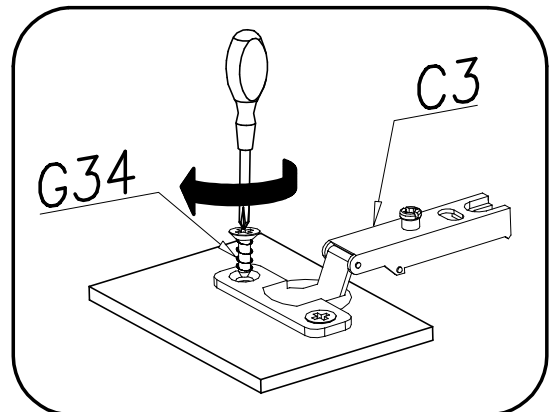
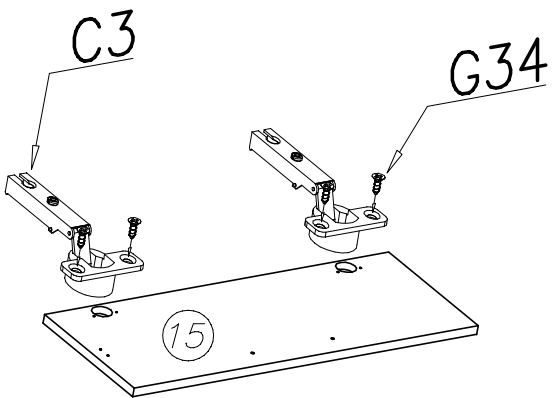
15



16



- C3  2x
- G34  4x
3,5x16



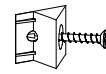
17

G22
3x16



5x

I1

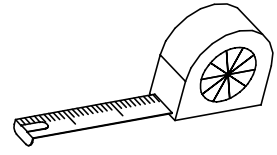
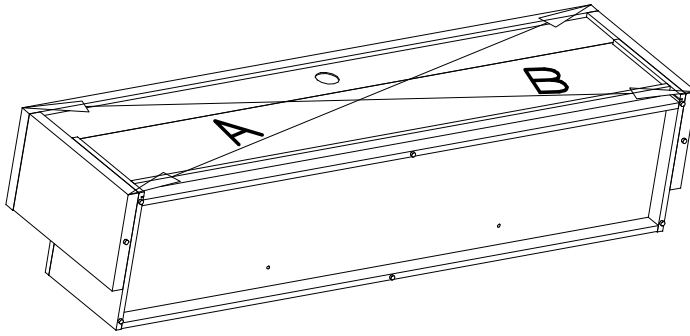


12x

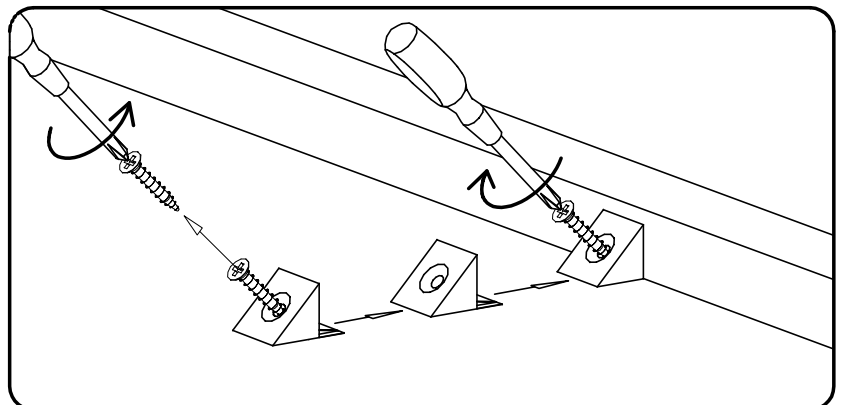
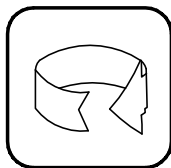
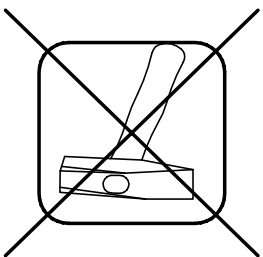
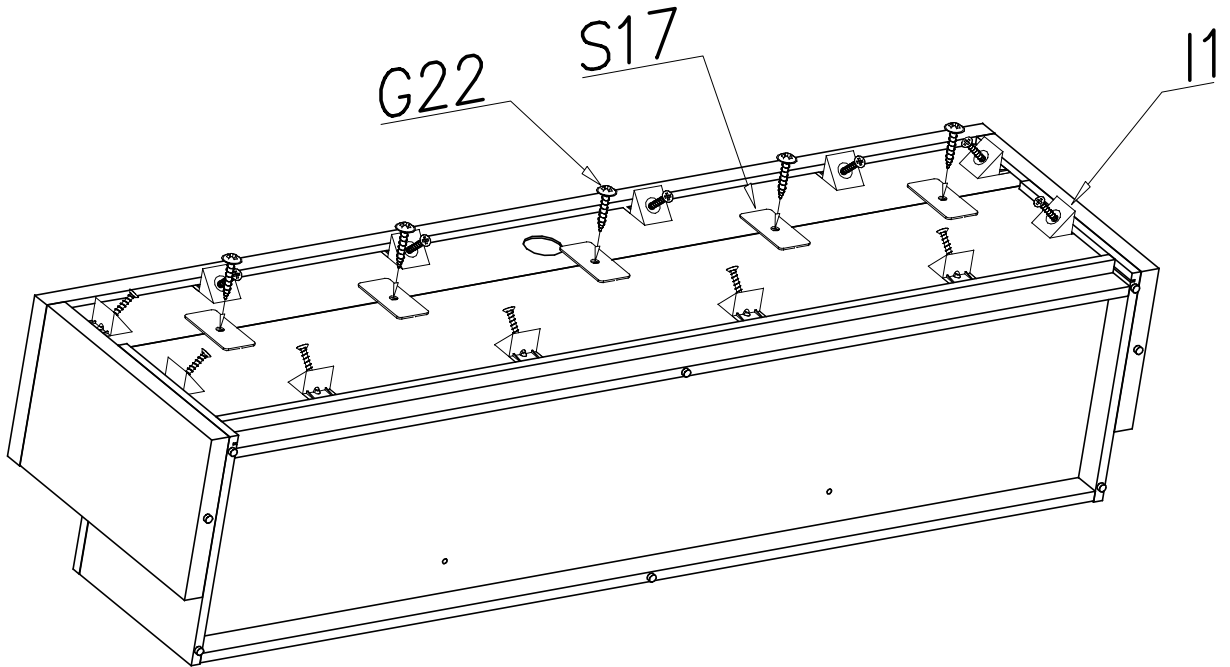
S17



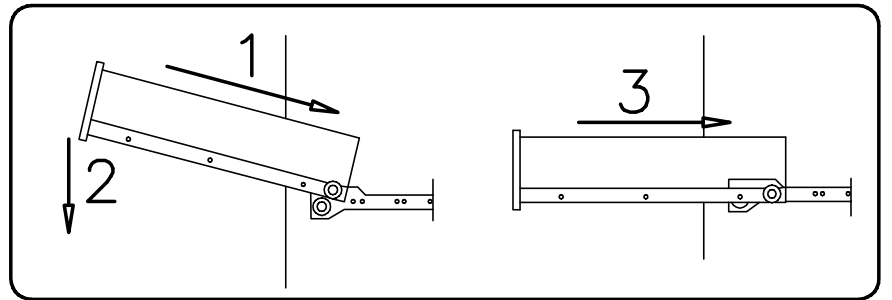
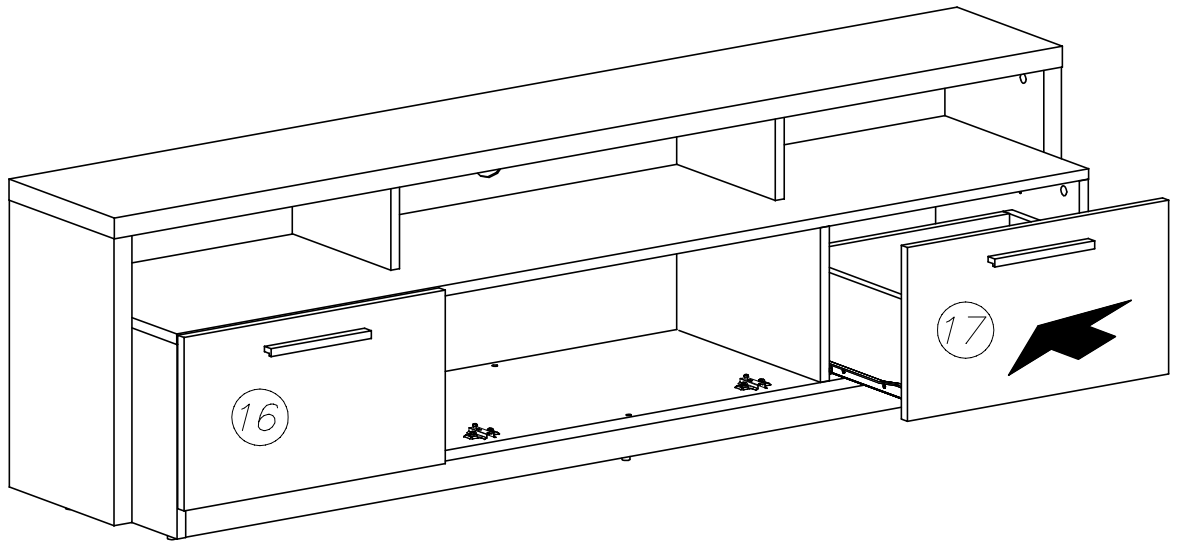
5x



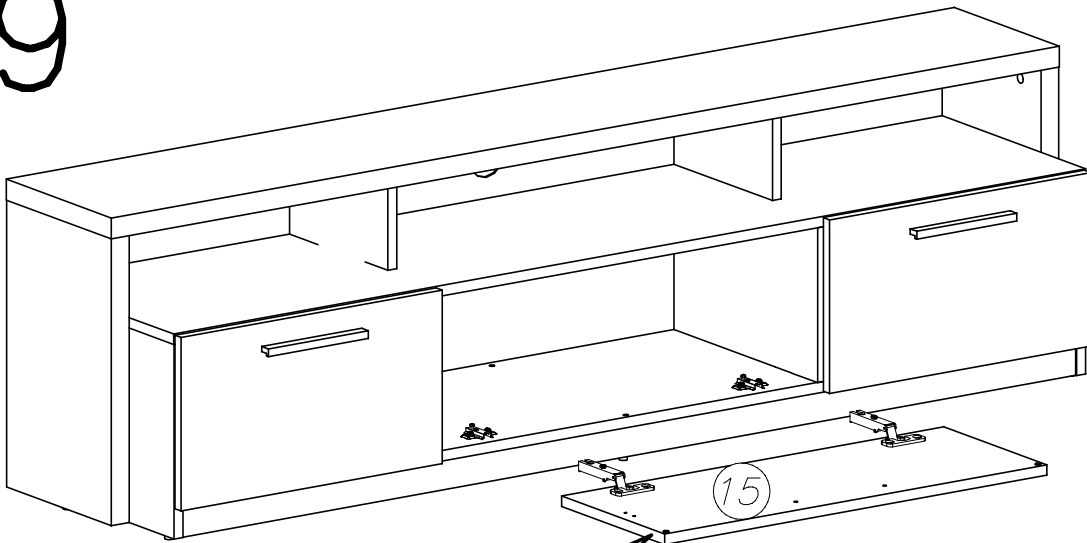
A = B



18



19

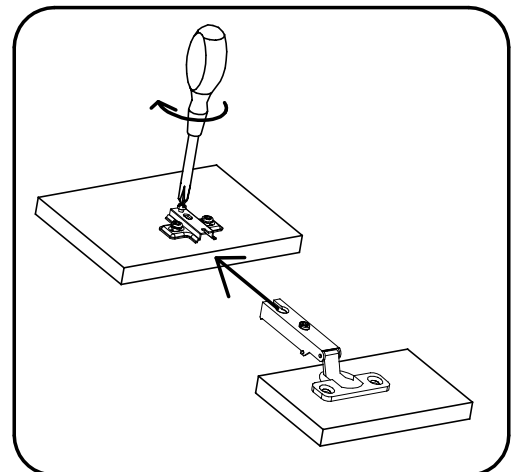
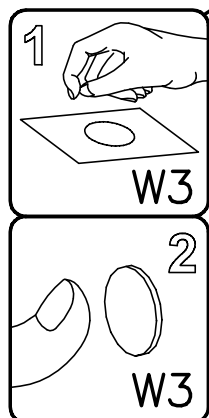


W3

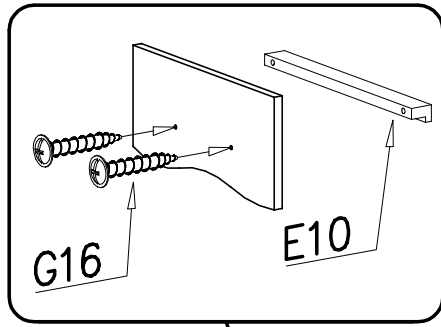
7x1,5



2x



20



| | | | |
|-----------------|--|---------------------|--|
| I8 ø20 4x | | E10 160mm 1x | |
| I9 14x | | G16 4x27 2x | |
| L6 1x | | I7 18x | |
| | | G34 3,5x16 4x | |

