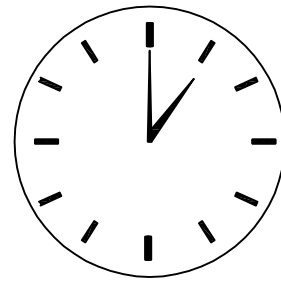
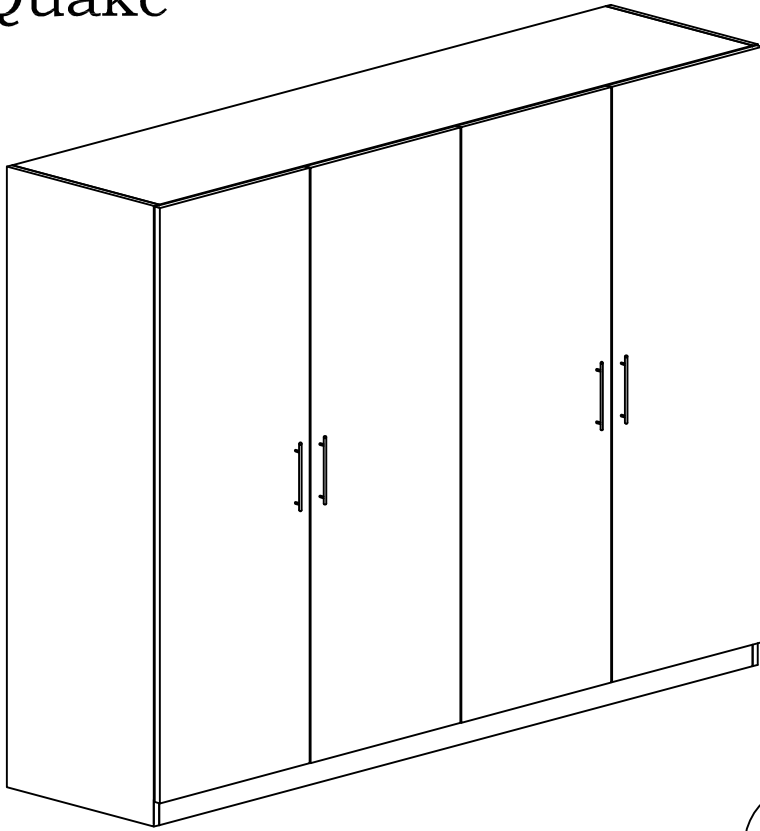
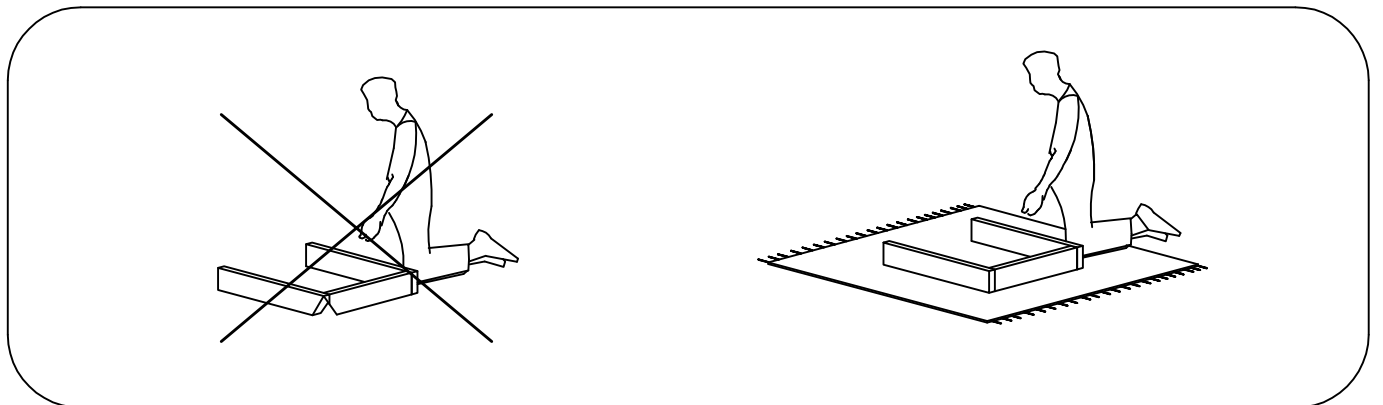
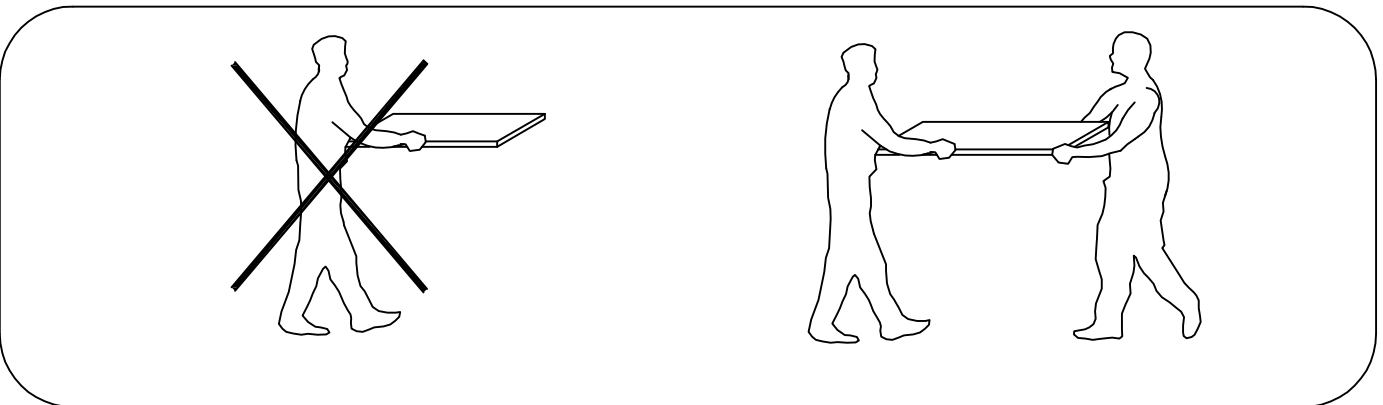
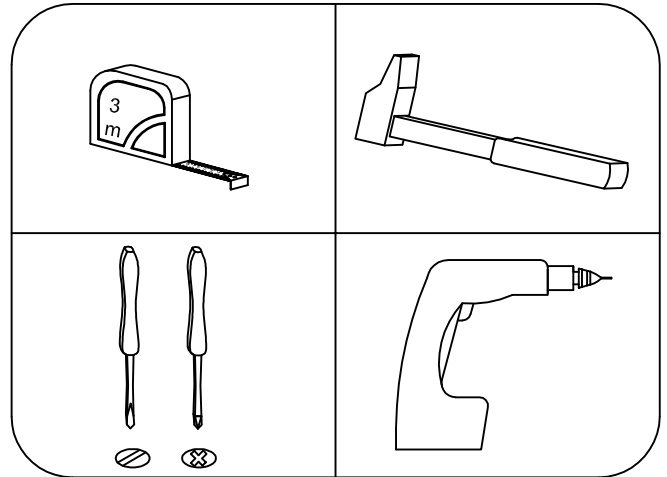
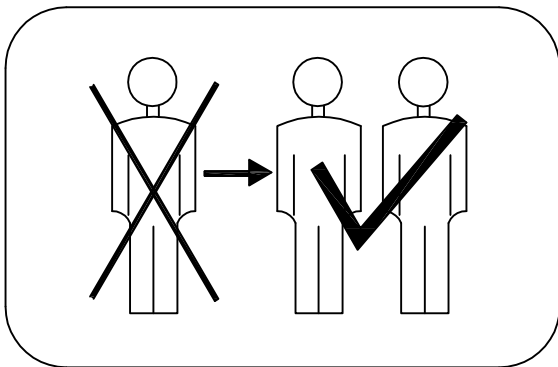
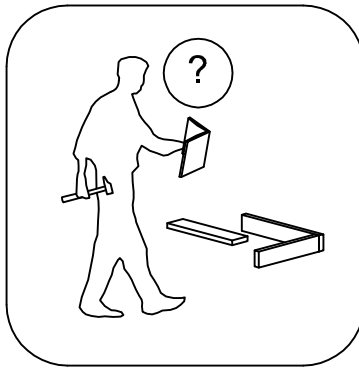


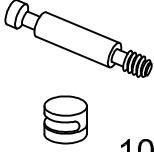



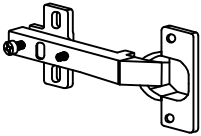
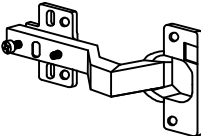
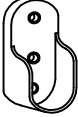
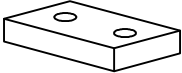
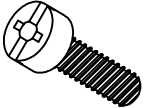


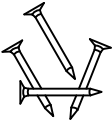
# Quake

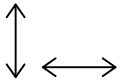


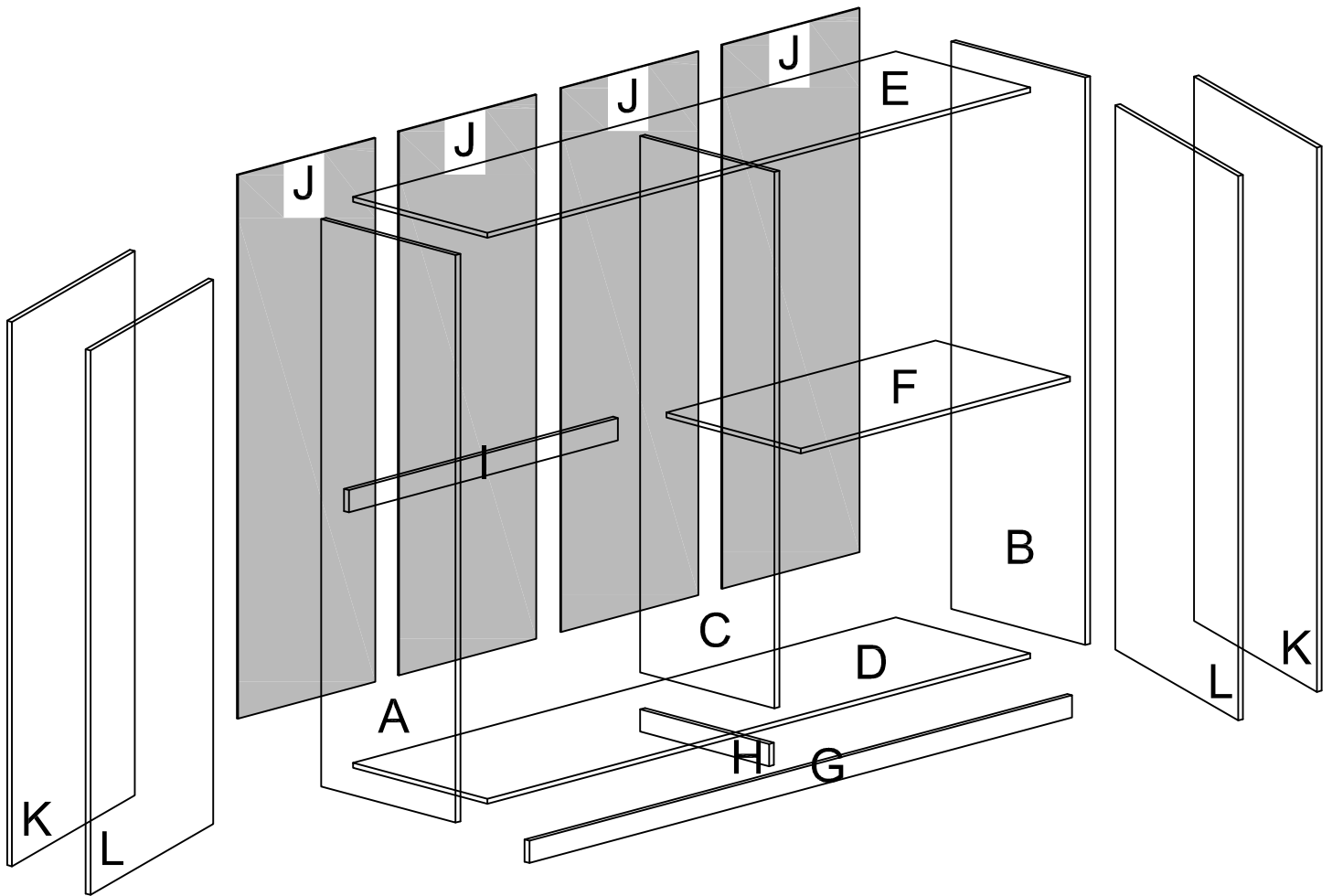
2 h

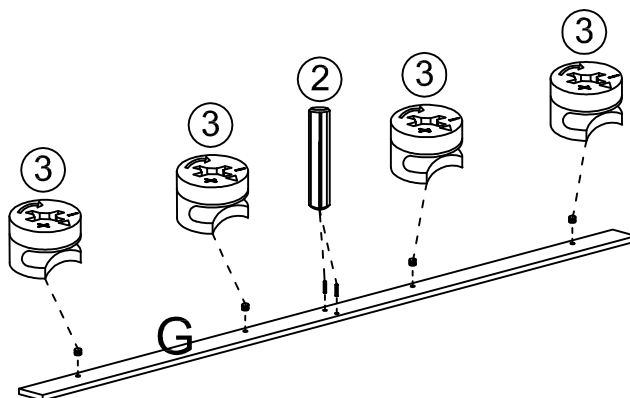
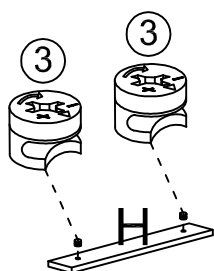
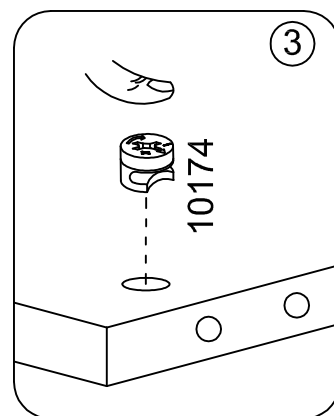
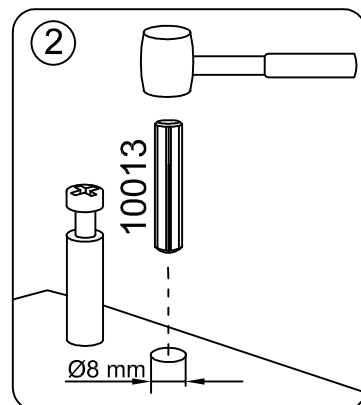
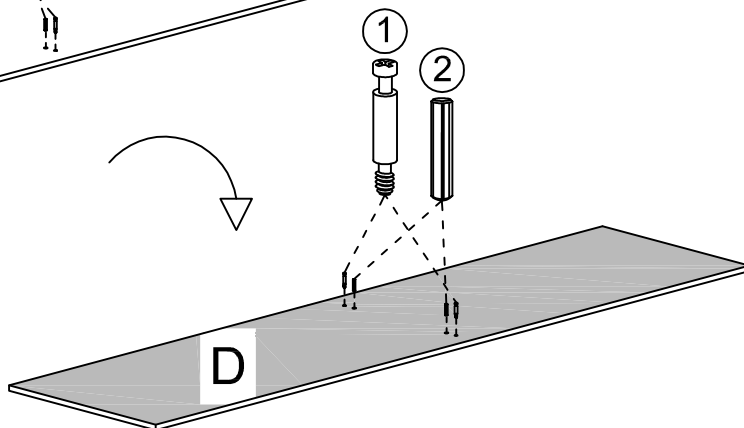
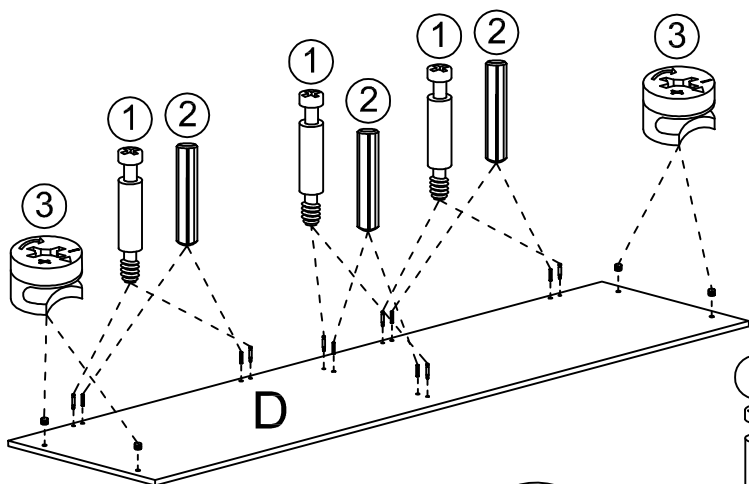
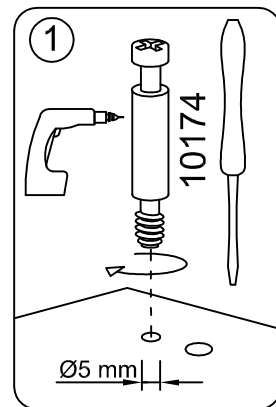
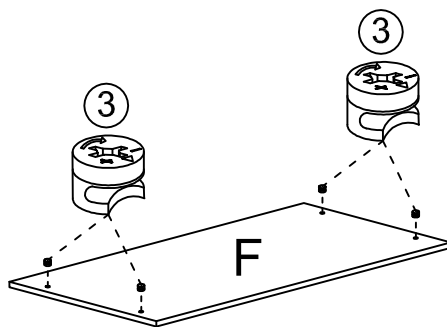
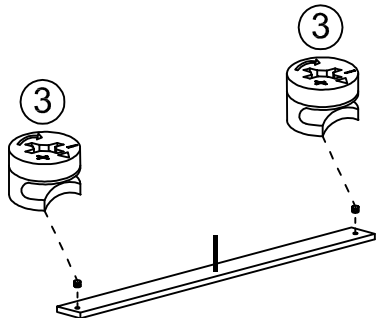
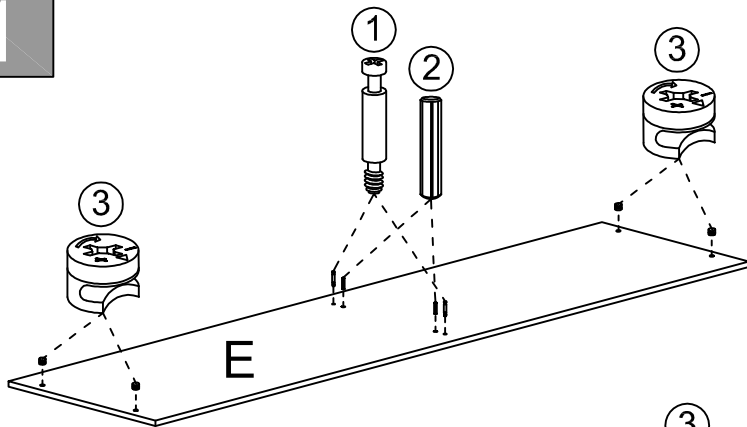


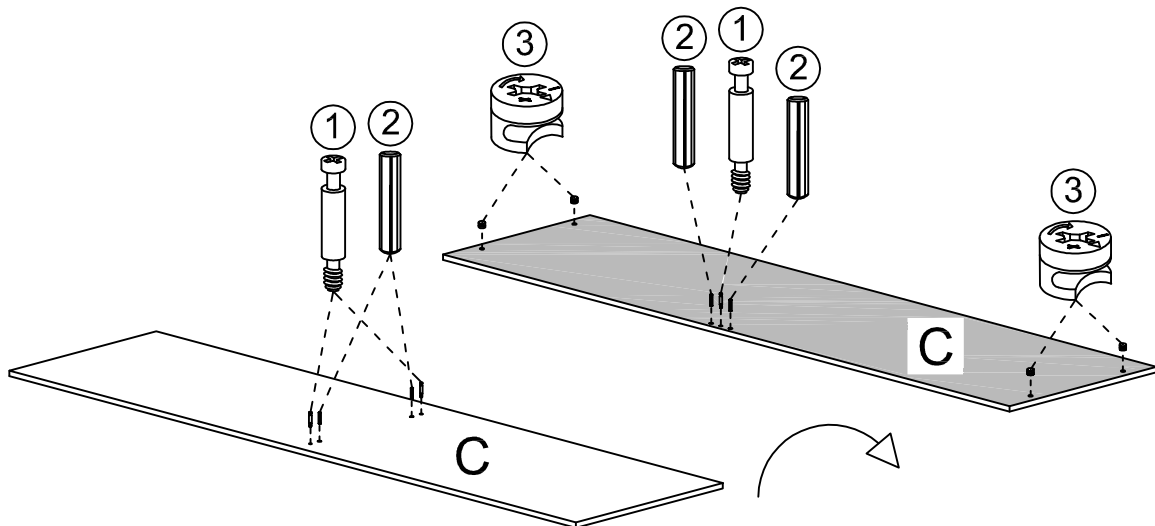
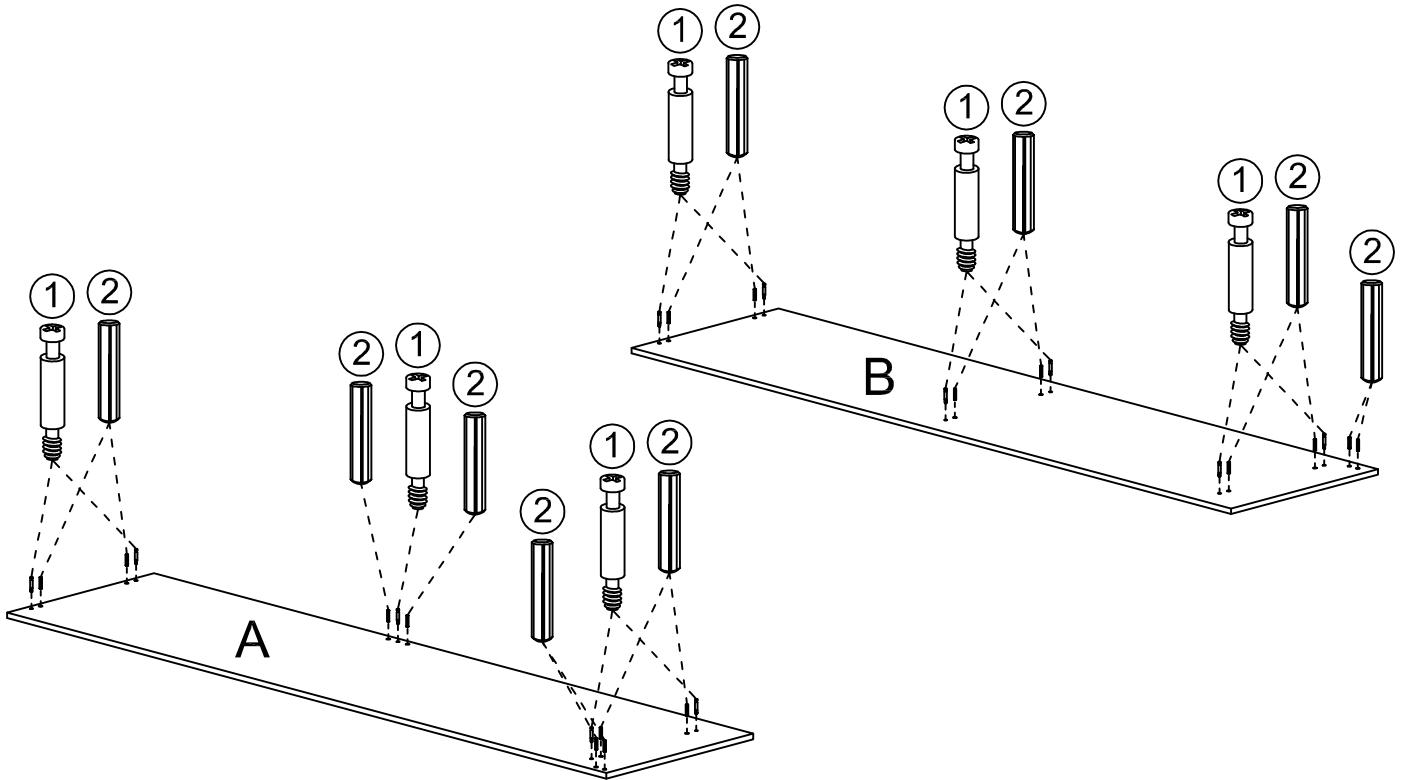
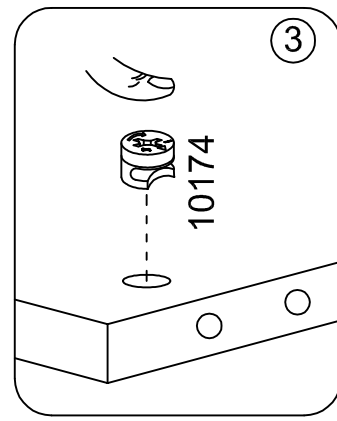
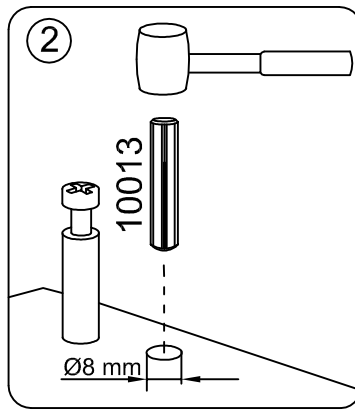
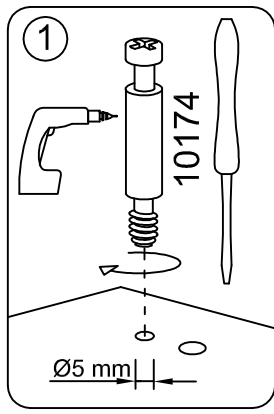


24x  10174	32x  $\Phi$ 8/30 10013	24x  50317	4x  20278
6x  40158	6x  40159	4x  50011	6x  50246
8x  M 4/18 10186	12x  $\Phi$ 3,5/20 10002	61x  $\Phi$ 3,5/16 10001	 10033

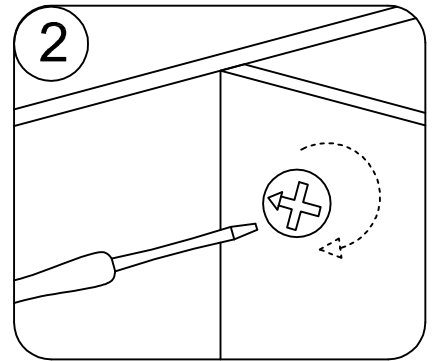
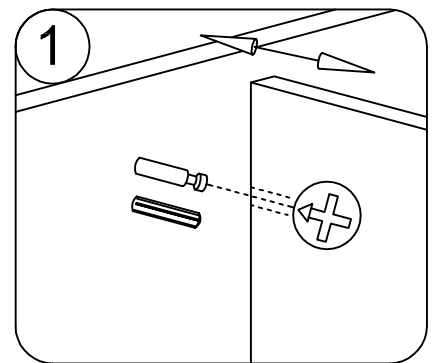
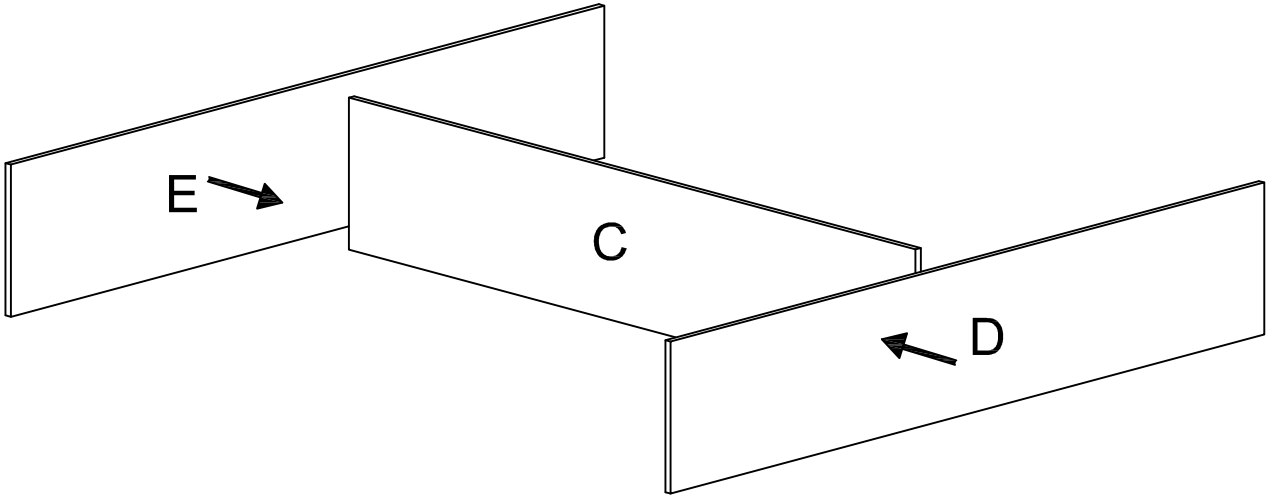
		Box number
A	2040x500	1/5
B	2040x500	1/5
C	1928x500	2/5
D	2020x500	3/5
E	2020x500	3/5
F	1002x500	2/5
G	2020x80	3/5
H	480x80	3/5
I	1002x80	3/5
J	4x 1955x511	5/5
K	2x 1957x510	4/5
L	2x 1957x510	5/5



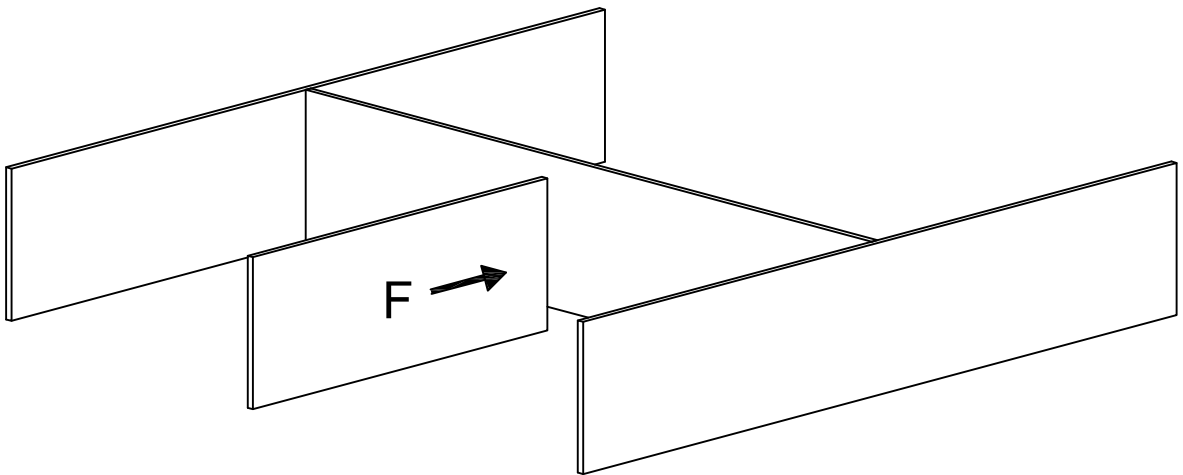




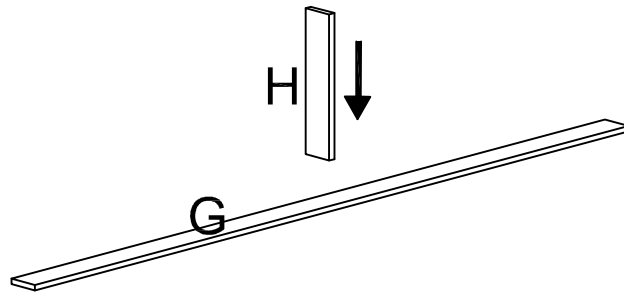
3



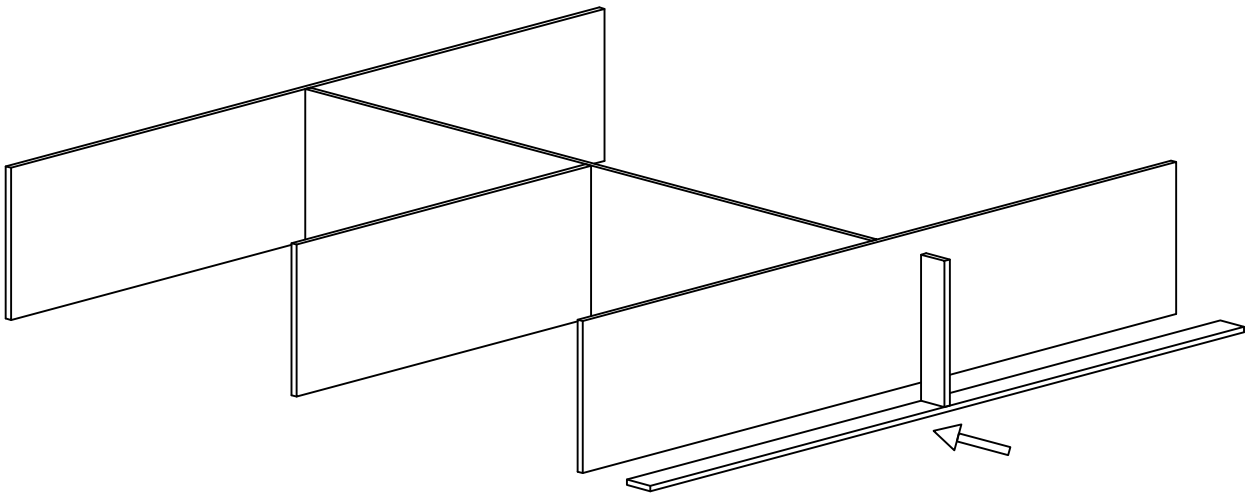
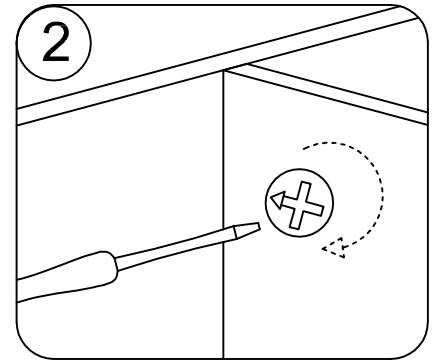
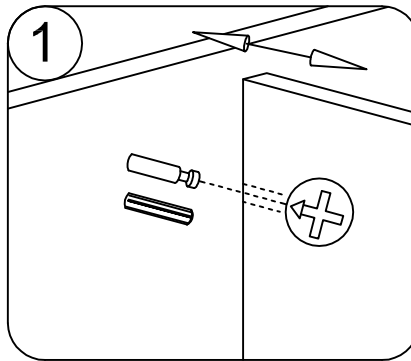
4



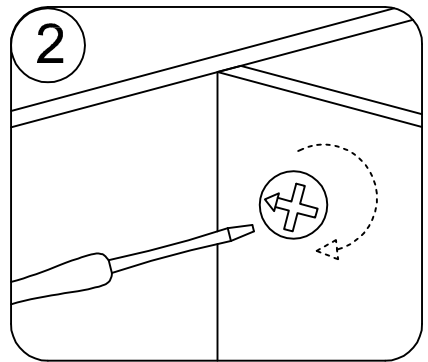
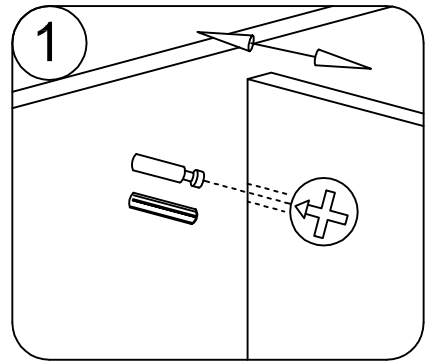
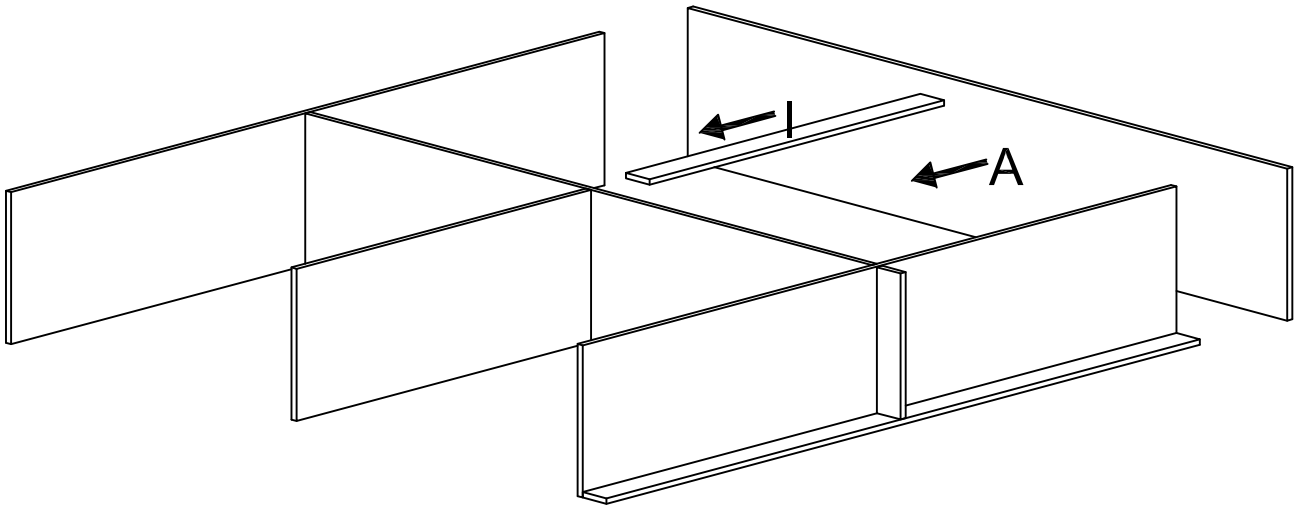
5



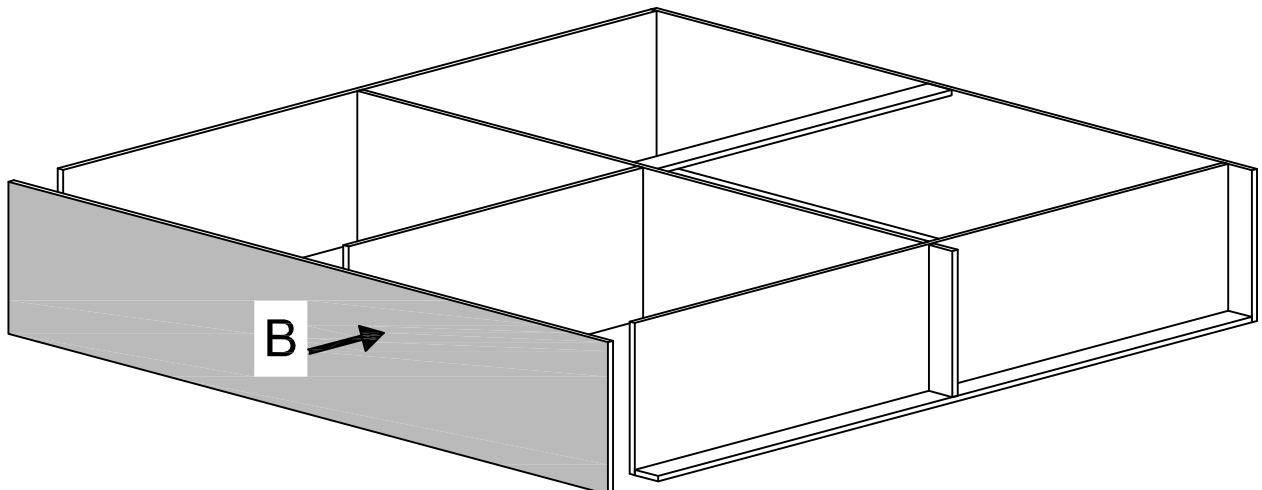
6



7

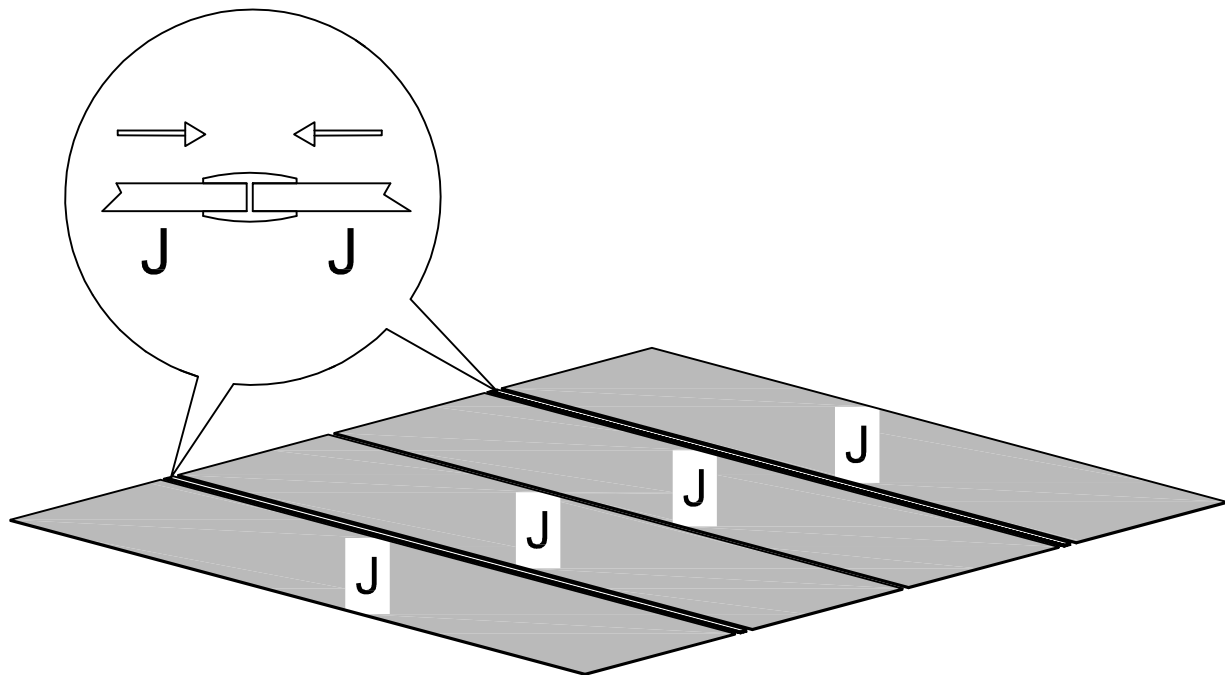


8

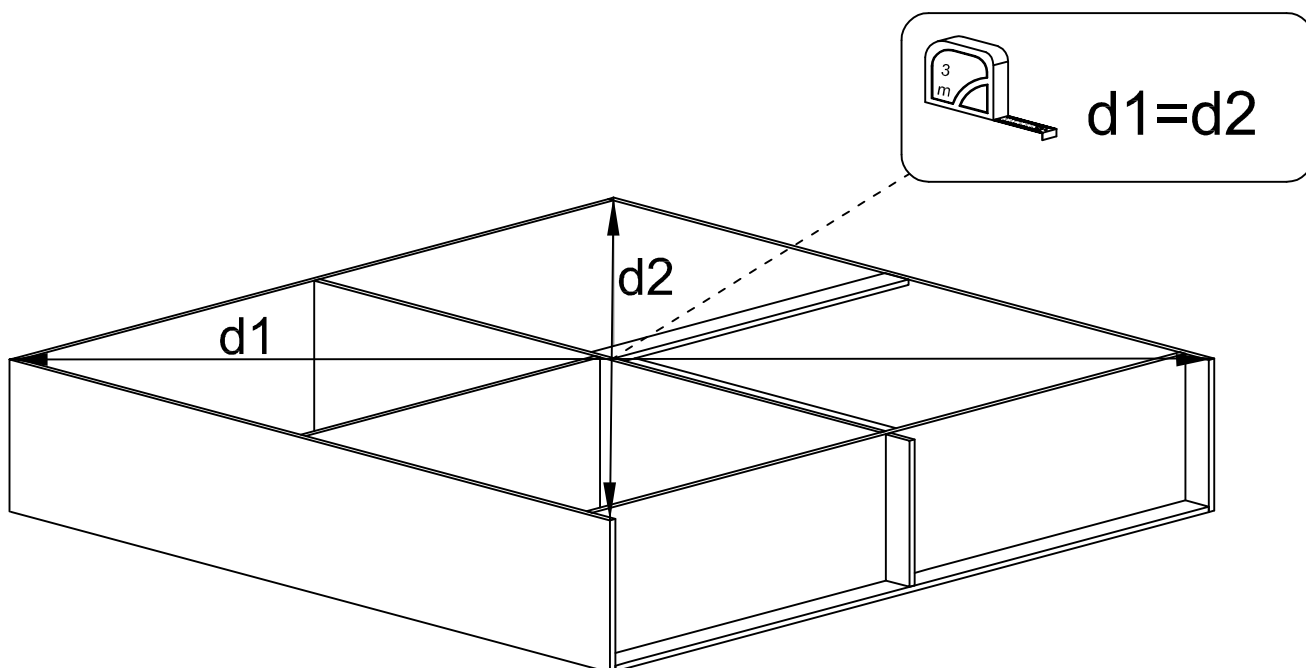




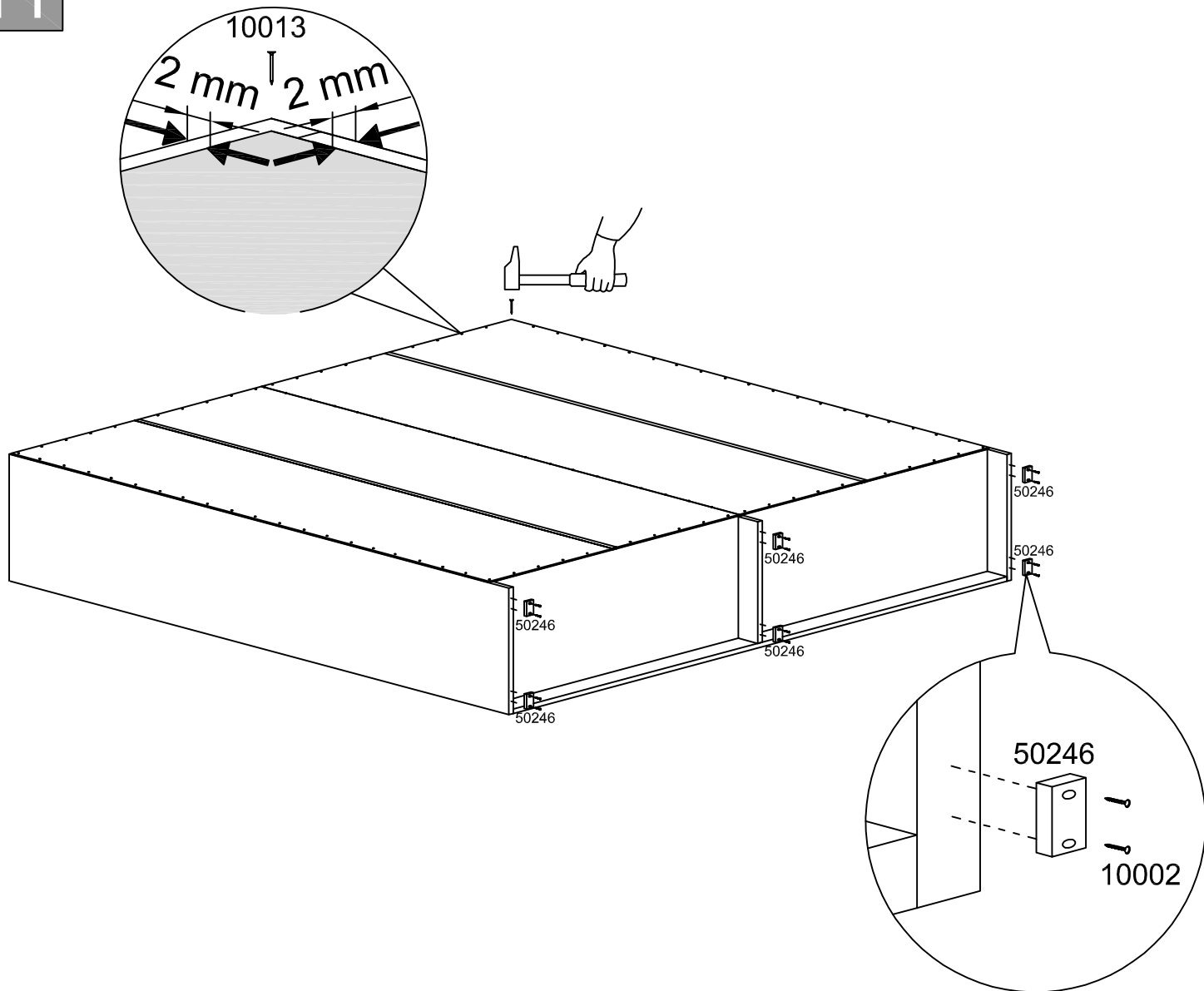
9



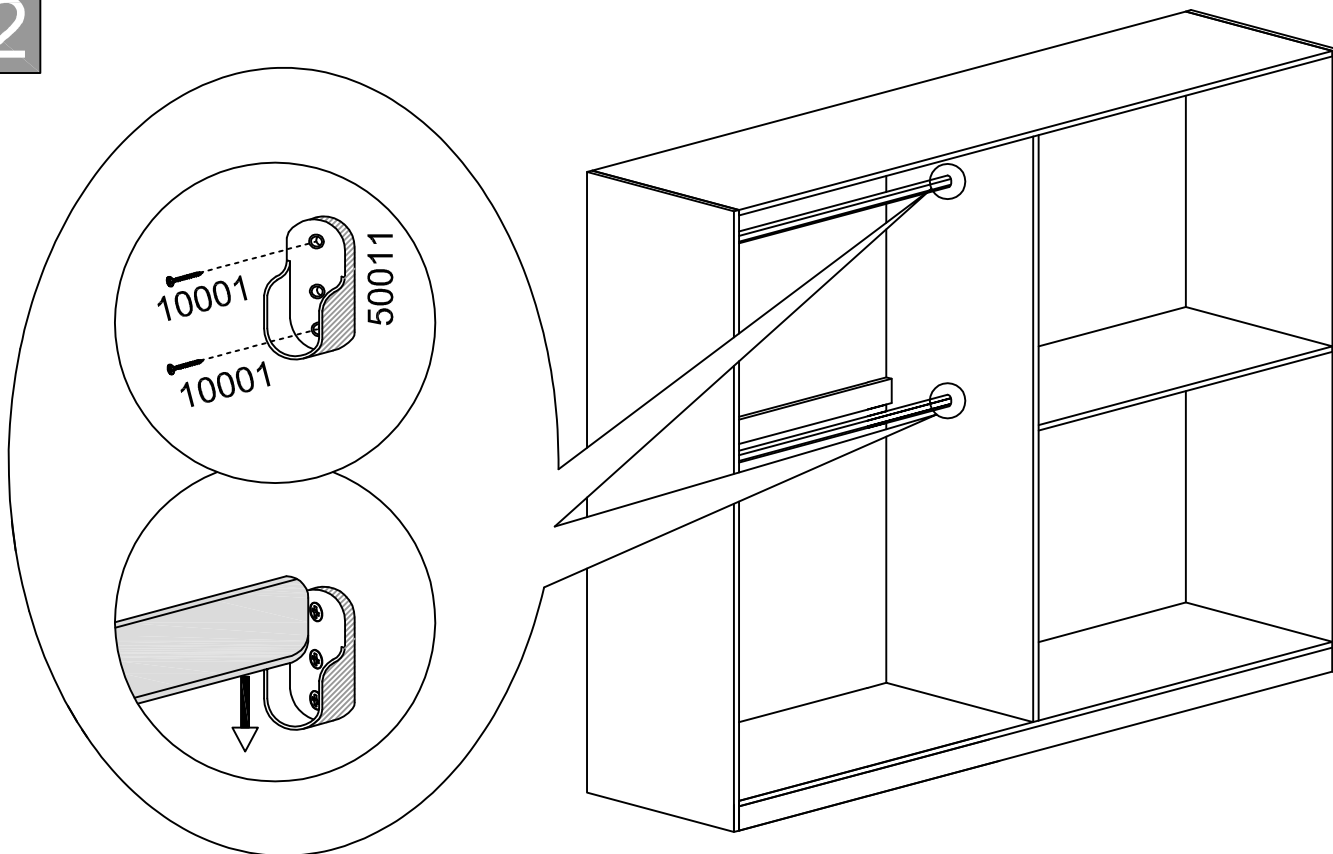
10

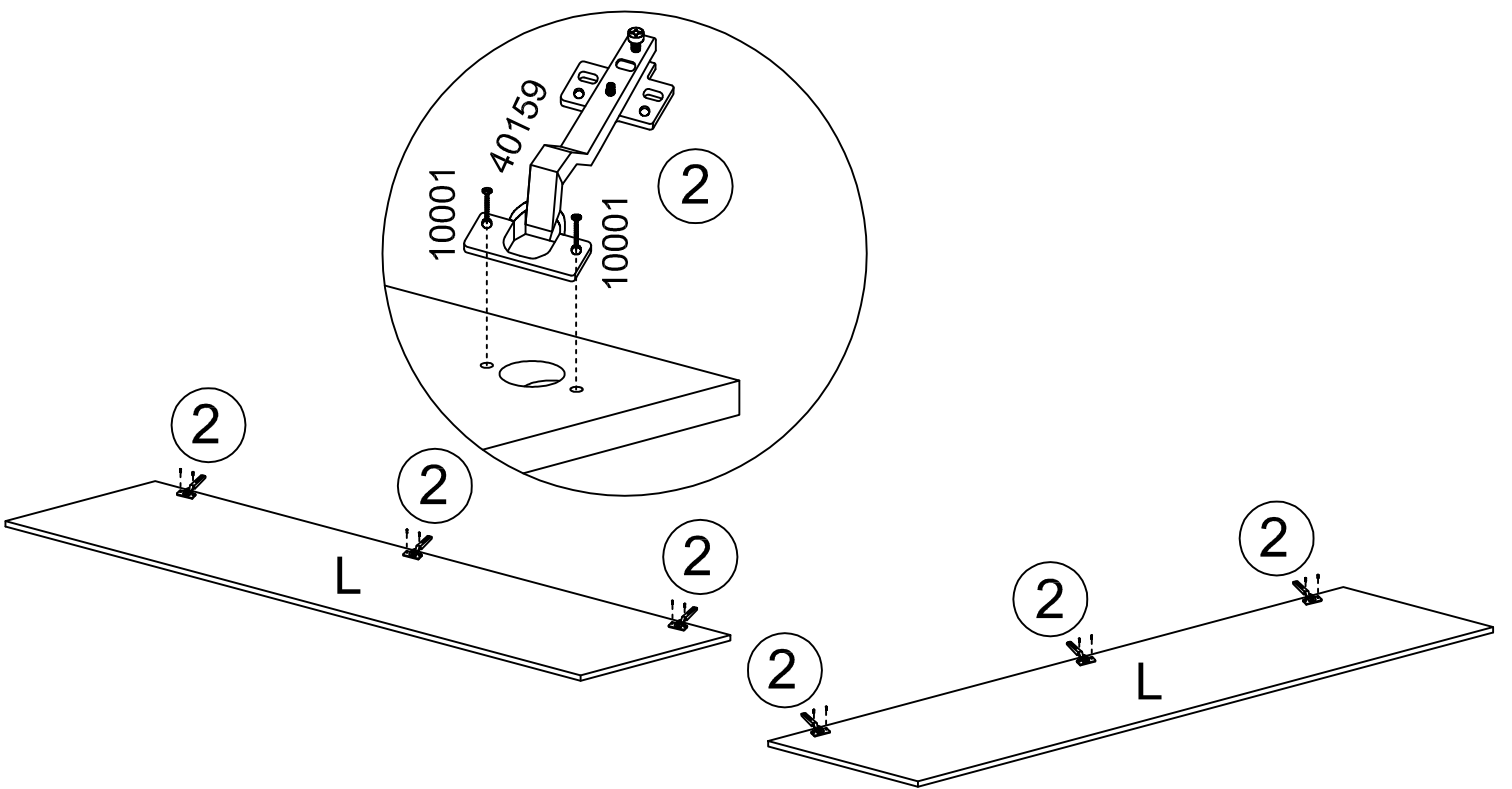
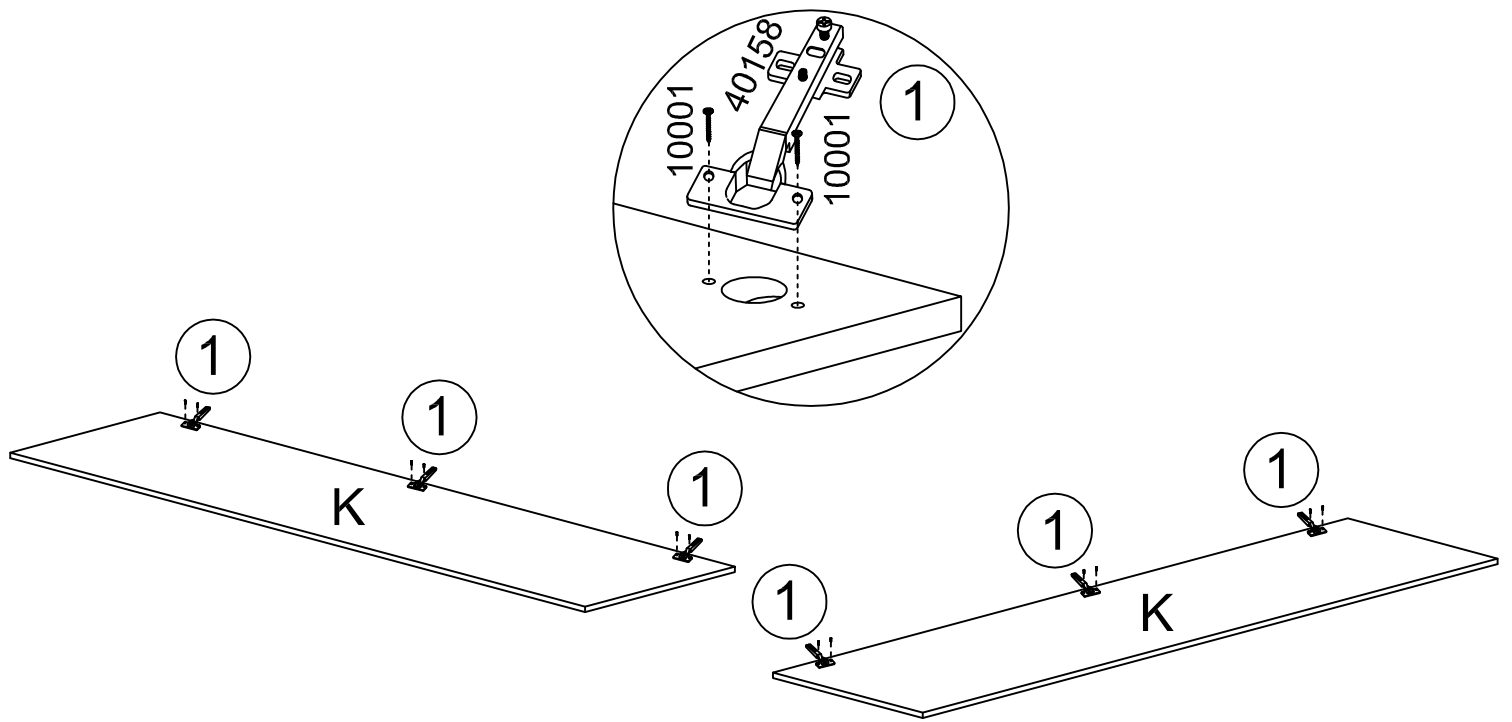


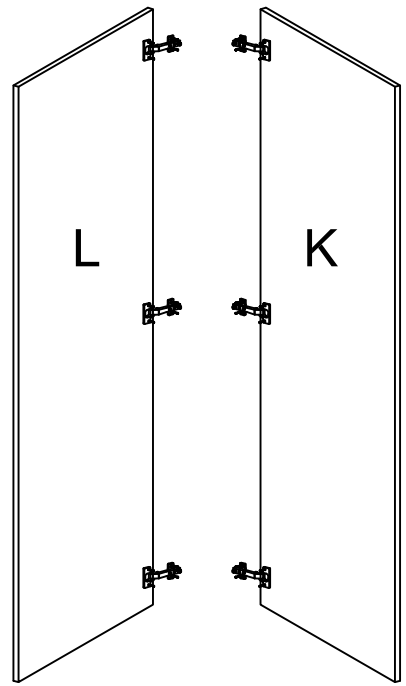
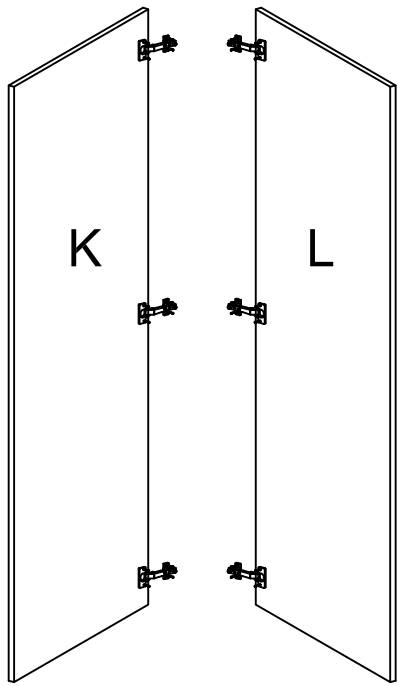
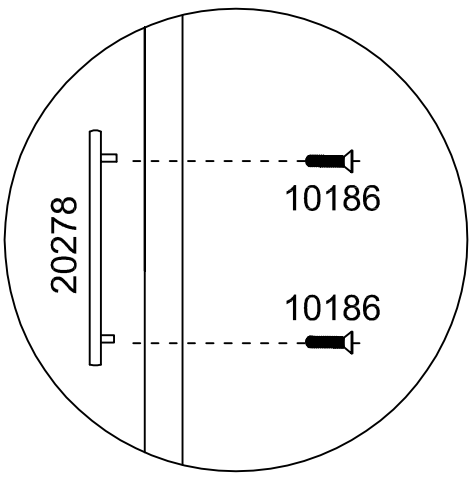
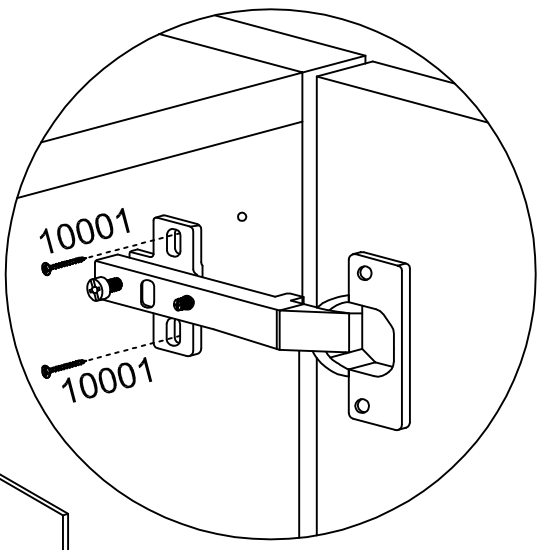
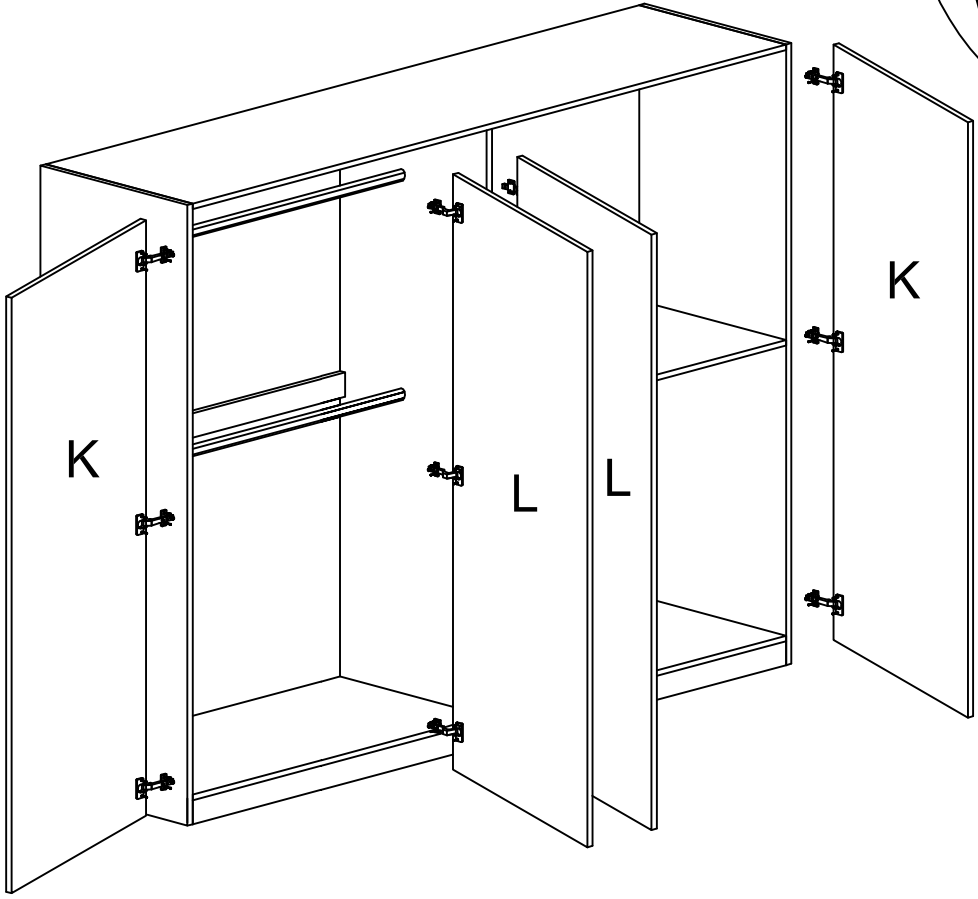
11



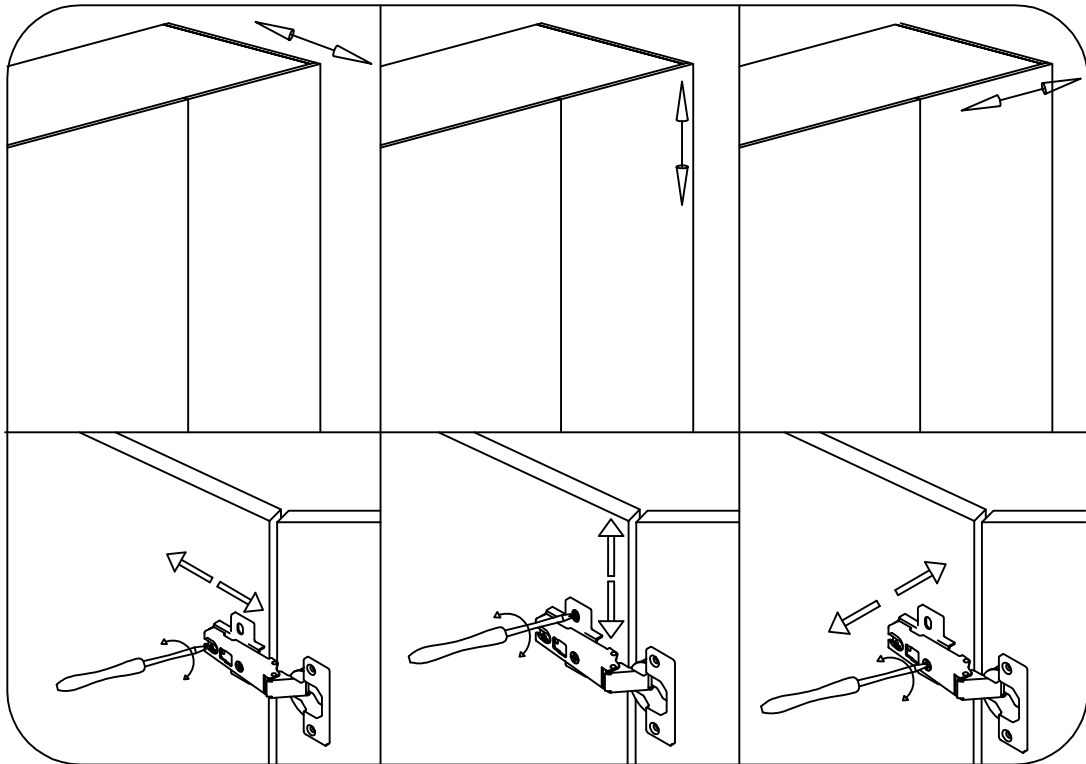
12







16



17

