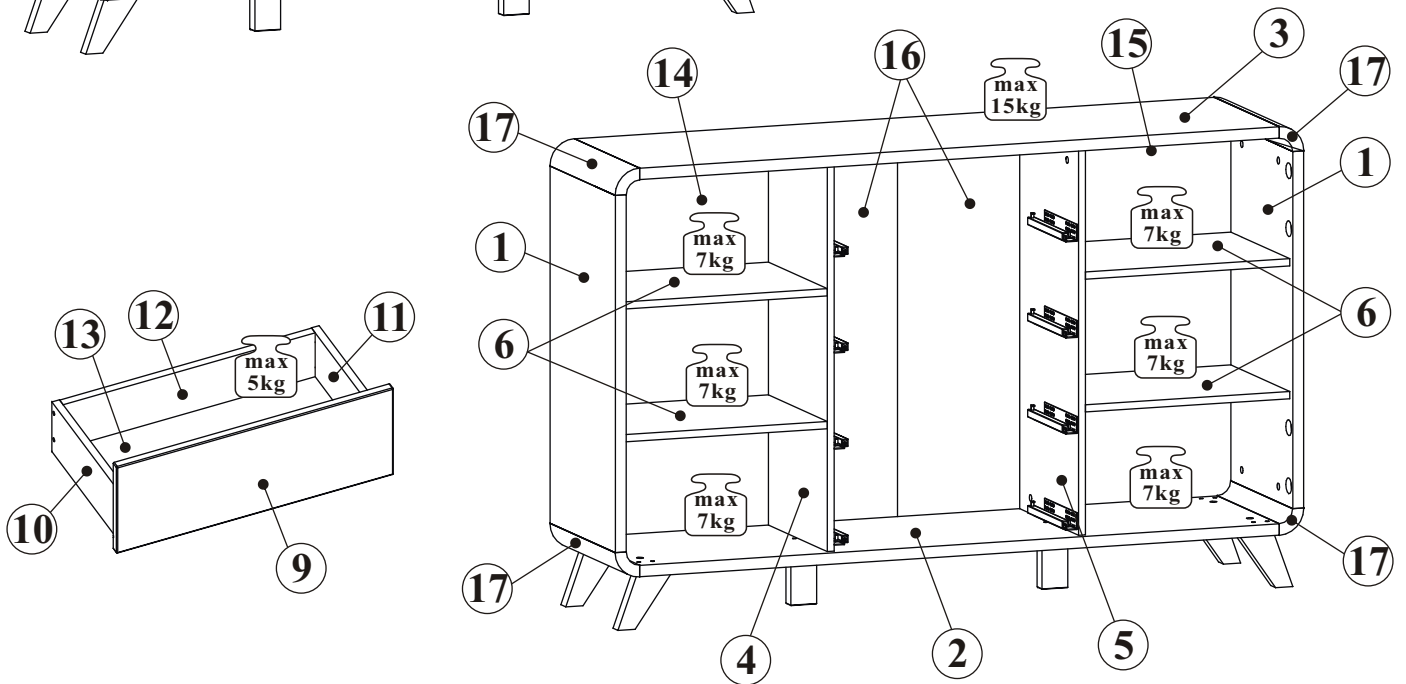
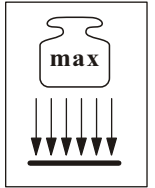
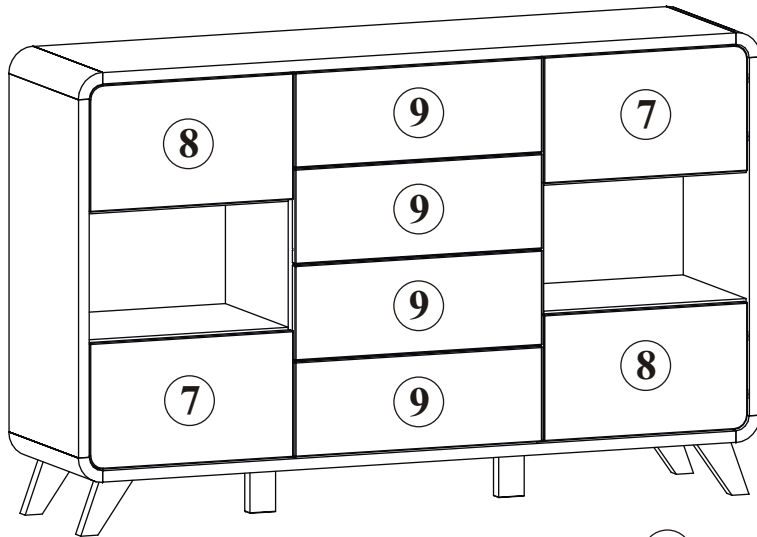
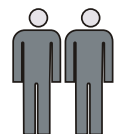
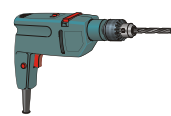


ROUND 20_RD SB



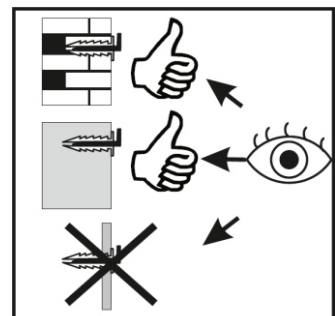
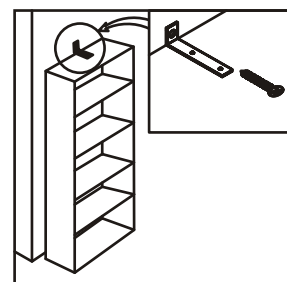
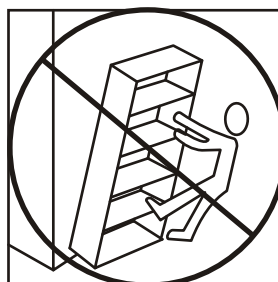
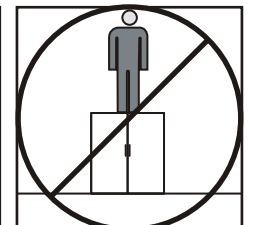
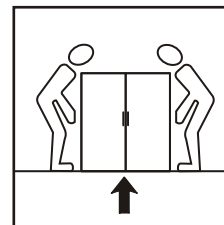
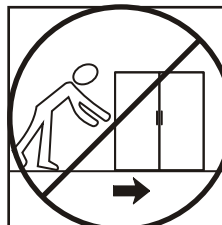
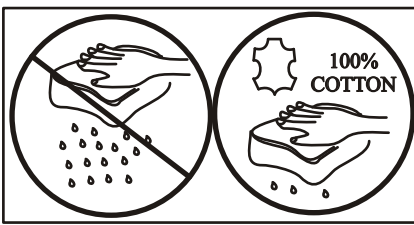
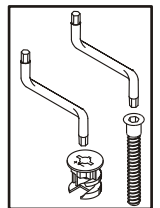
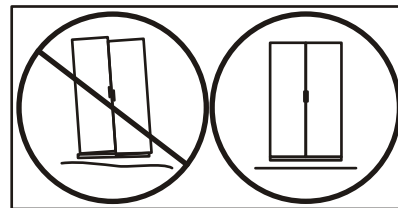
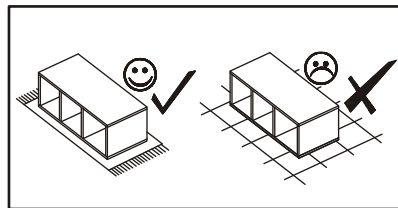
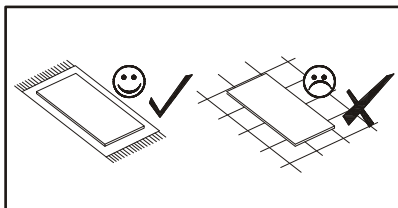
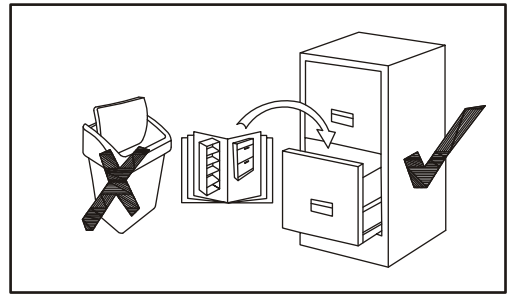
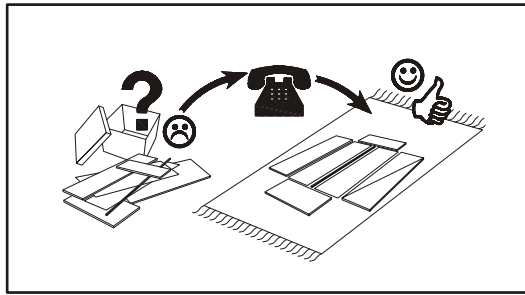
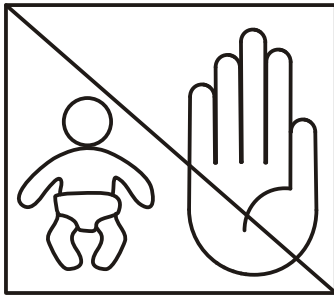
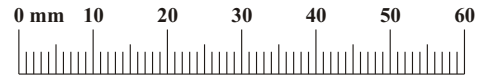
NO	Dim.			Col.-No	Qty
1	788	400	25	1 / 3.	2
2	1487	400	25	1 / 3.	1
3	1487	400	25	1 / 3.	1
4	851	361	16	2 / 3.	1
5	851	361	16	2 / 3.	1
6	475	361	16	2 / 3.	4
7	478	278	16	3 / 3.	2
8	478	278	16	3 / 3.	2
9	580	209	16	3 / 3.	4
10	300	120	16	2 / 3.	4
11	300	120	16	2 / 3.	4
12	528	106	16	2 / 3.	4
13	540	304	3	3 / 3.	4
14	863	488	3	3 / 3.	1
15	863	488	3	3 / 3.	1
16	863	291	3	3 / 3.	2
17	400	80	35	2 / 3.	4



150 min

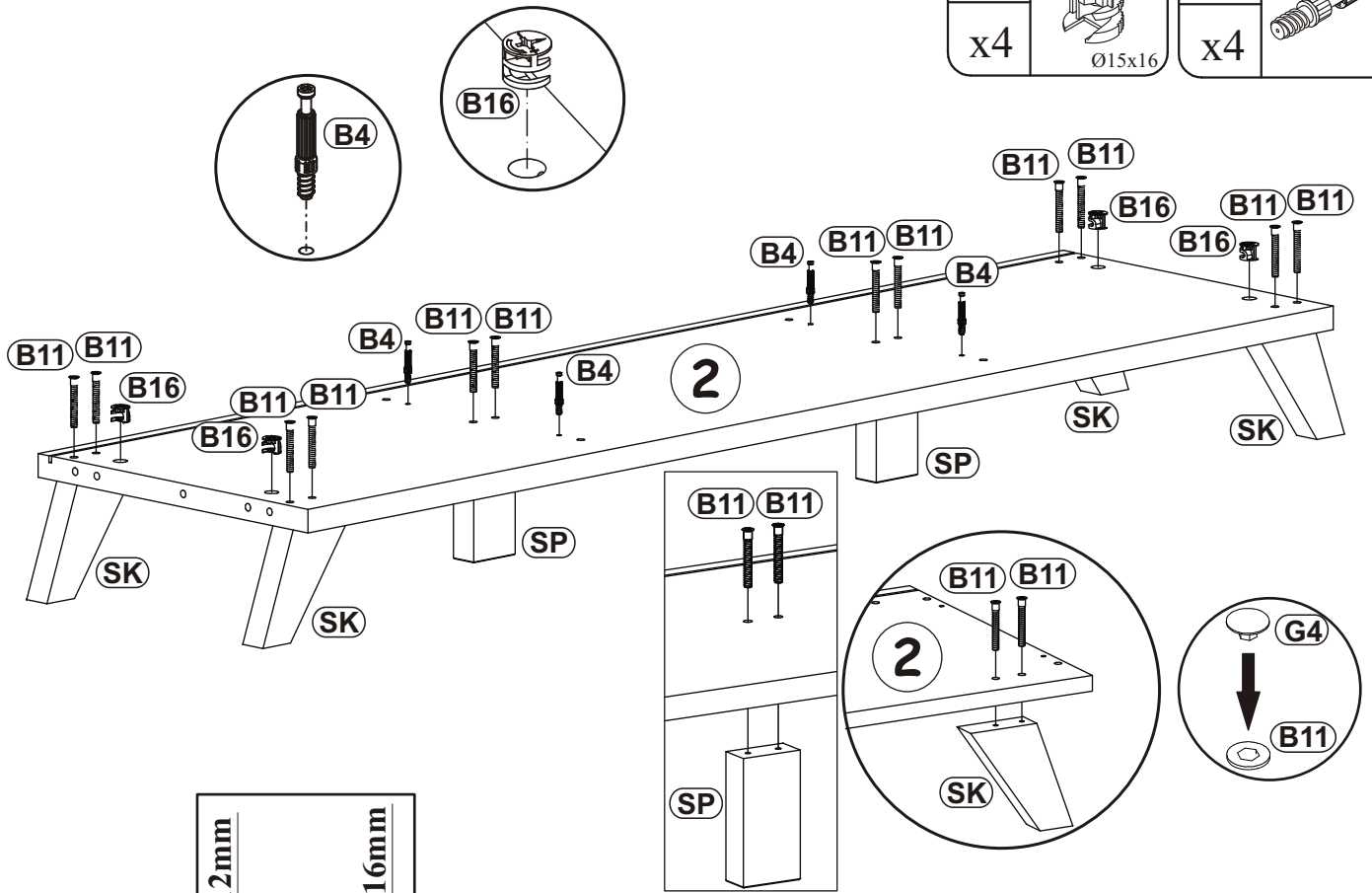
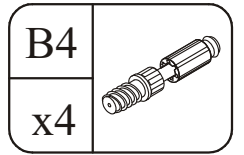
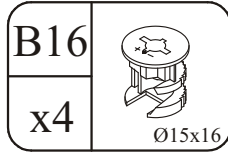
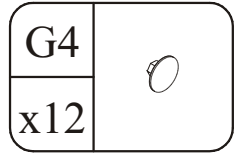
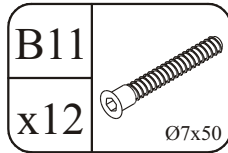
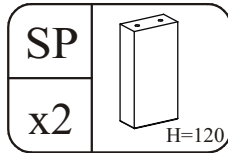
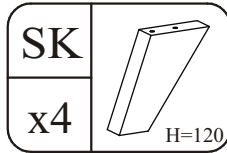
ROUND 20_RD SB

A1 x64 ø8x36	B4 x48	B5 x32 ø15x12	B16 x16 ø15x16	G5 x48	G4 x28
E21 x8 Ø35 H=0	E2 x8 H=0	D10 x44 USØ3,5x13	OD1 x4	S1 x24	B11 x28 Ø7x50
QU x4 L-300	D27 x16 ESØ6x8	SK x4 H=120	SP x2 H=120	G16 x14	UP13 x34 UPØ3x16
KR1 x2	L1 x2	G2 x1			

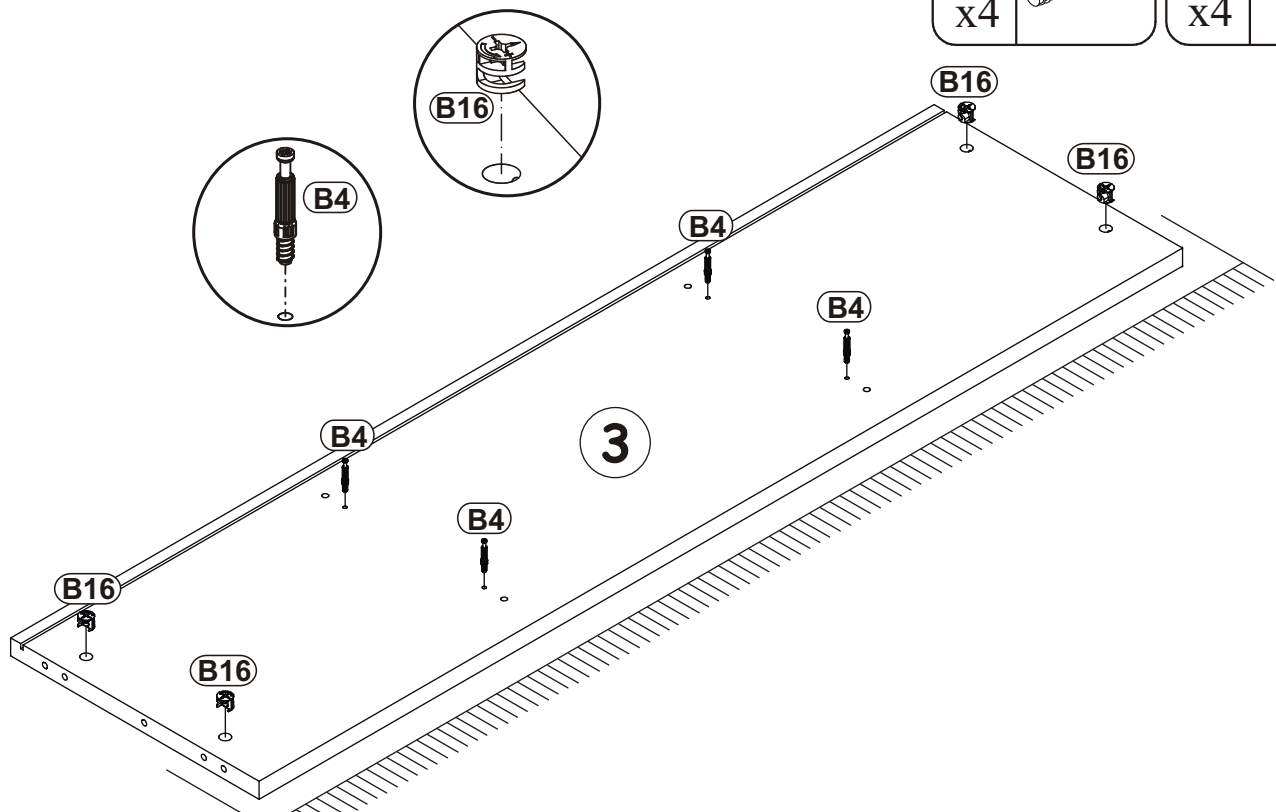
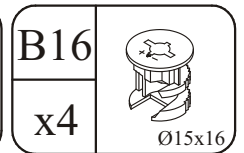
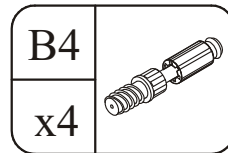
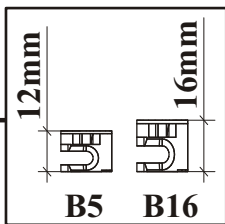


ROUND 20_RD SB

1

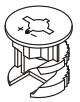


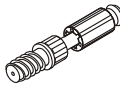
2



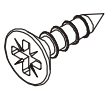
ROUND 20_RD SB

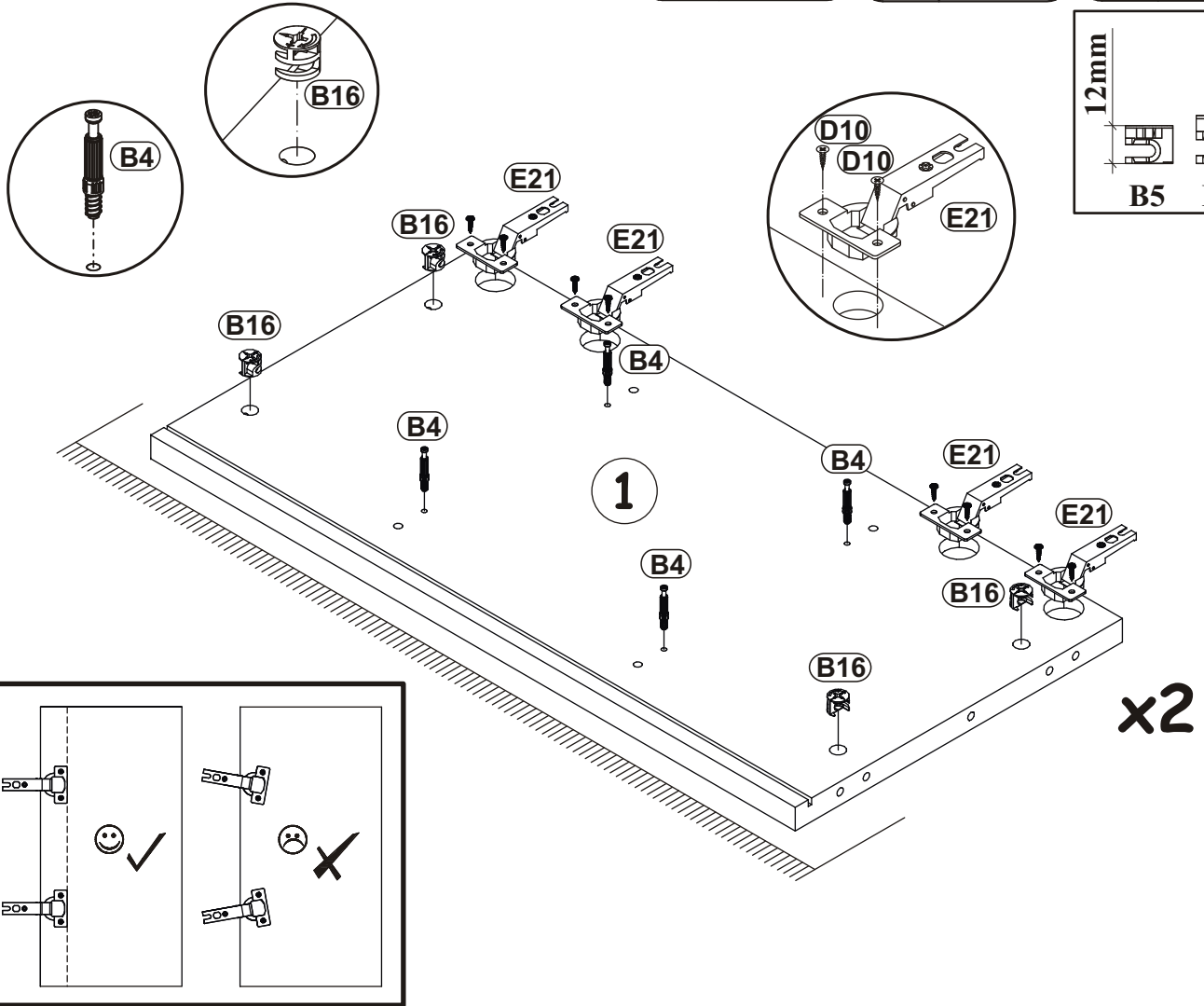
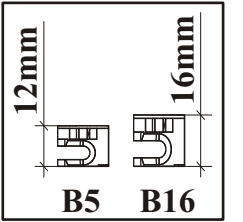
3

B16	
x8	Ø15x16

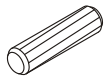
B4	
x8	


E21	Ø35
x8	H=0

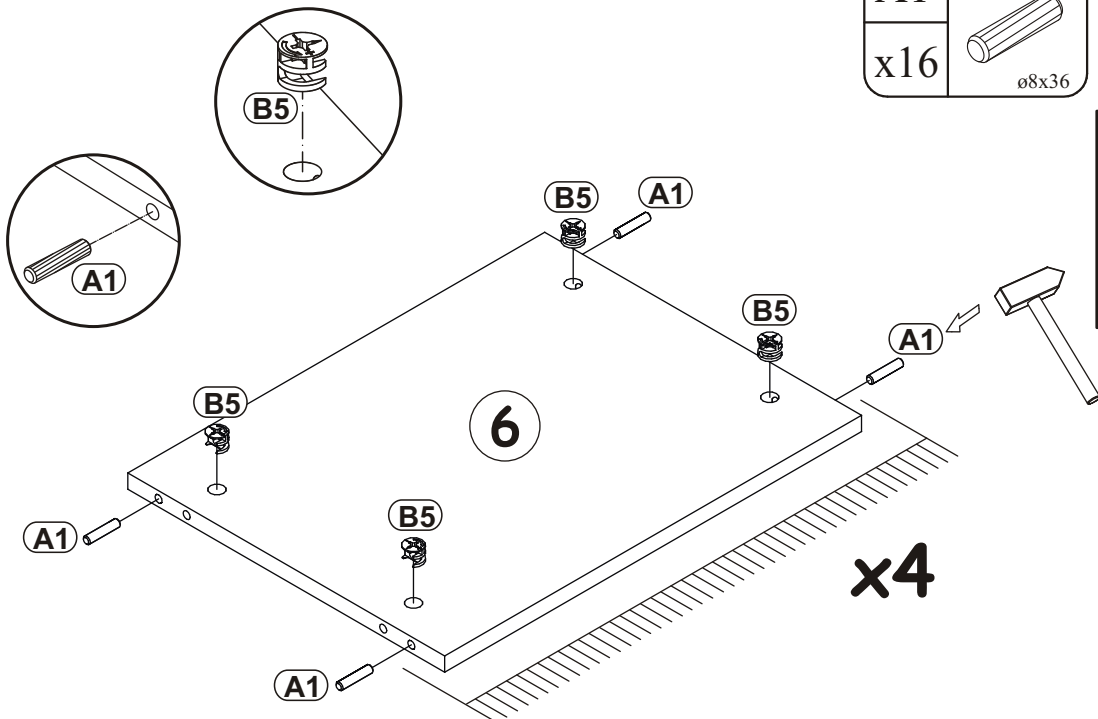
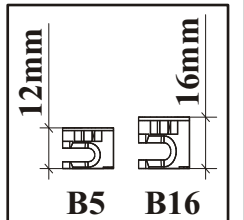
D10	
x16	USØ3,5x13

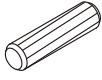

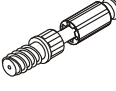


4

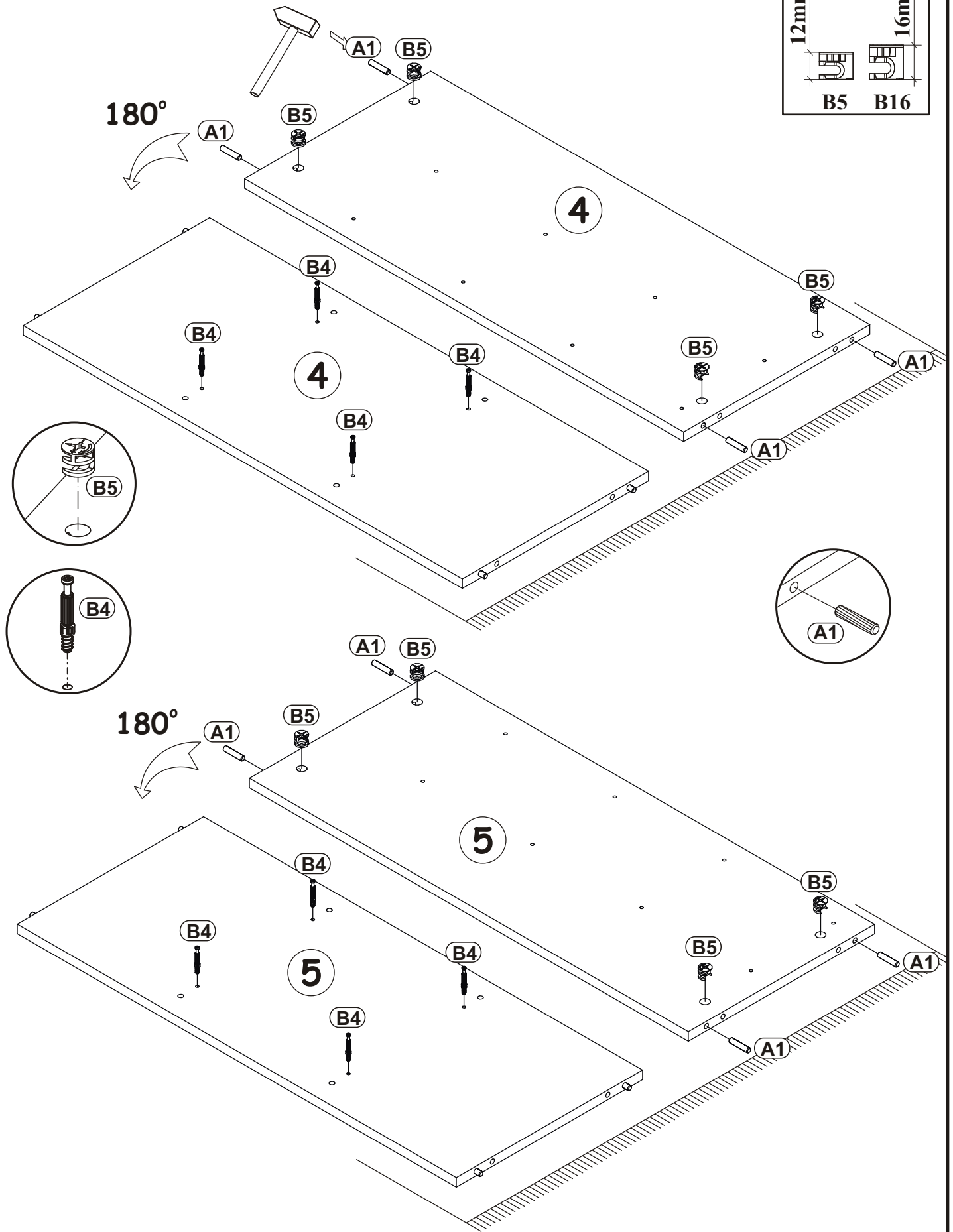
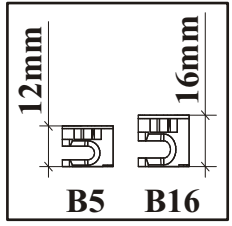
A1	
x16	ø8x36

B5	
x16	ø15x12

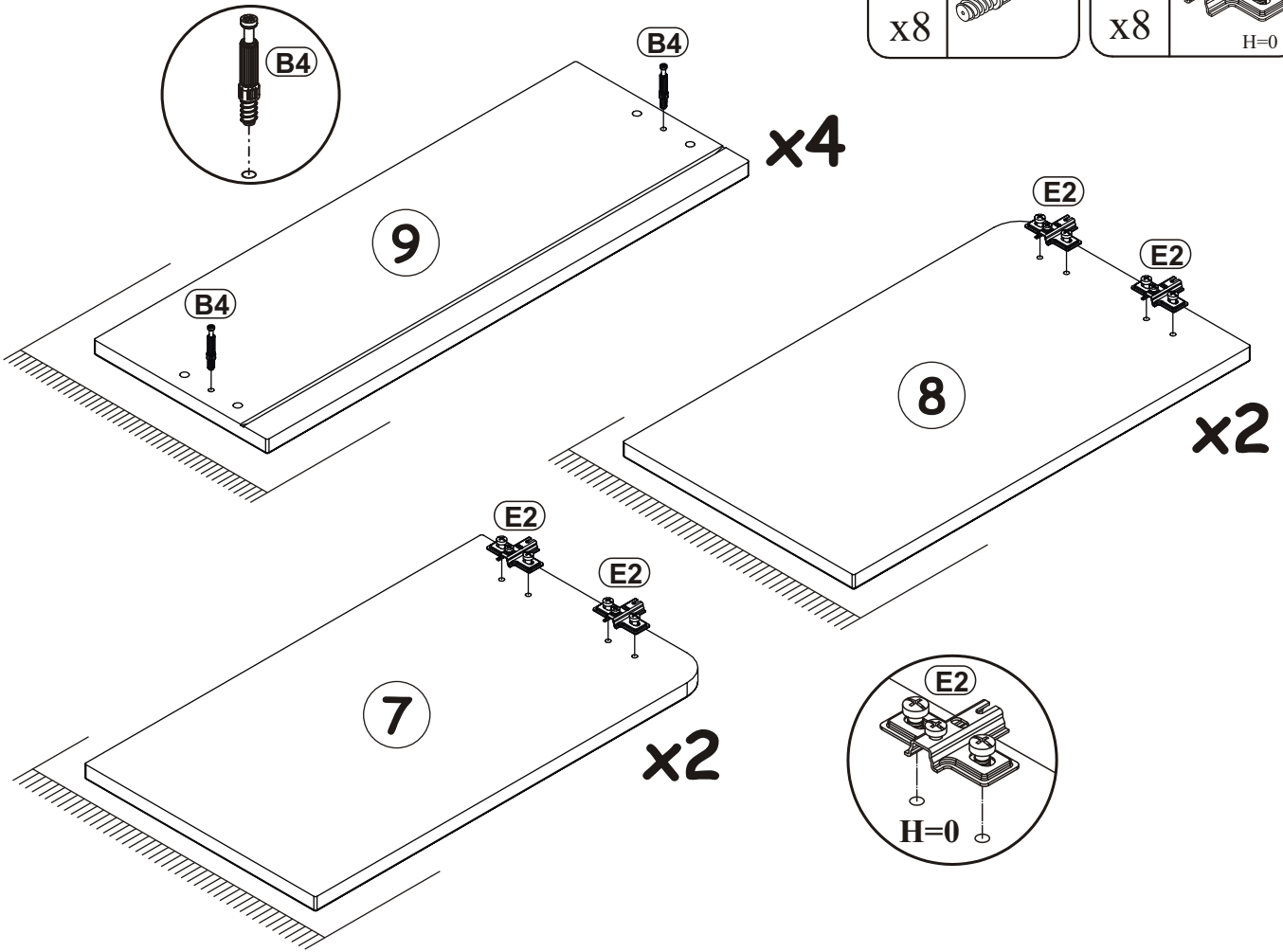


A1		B5		B4	
x8	ø8x36	x8	ø15x12	x8	

5



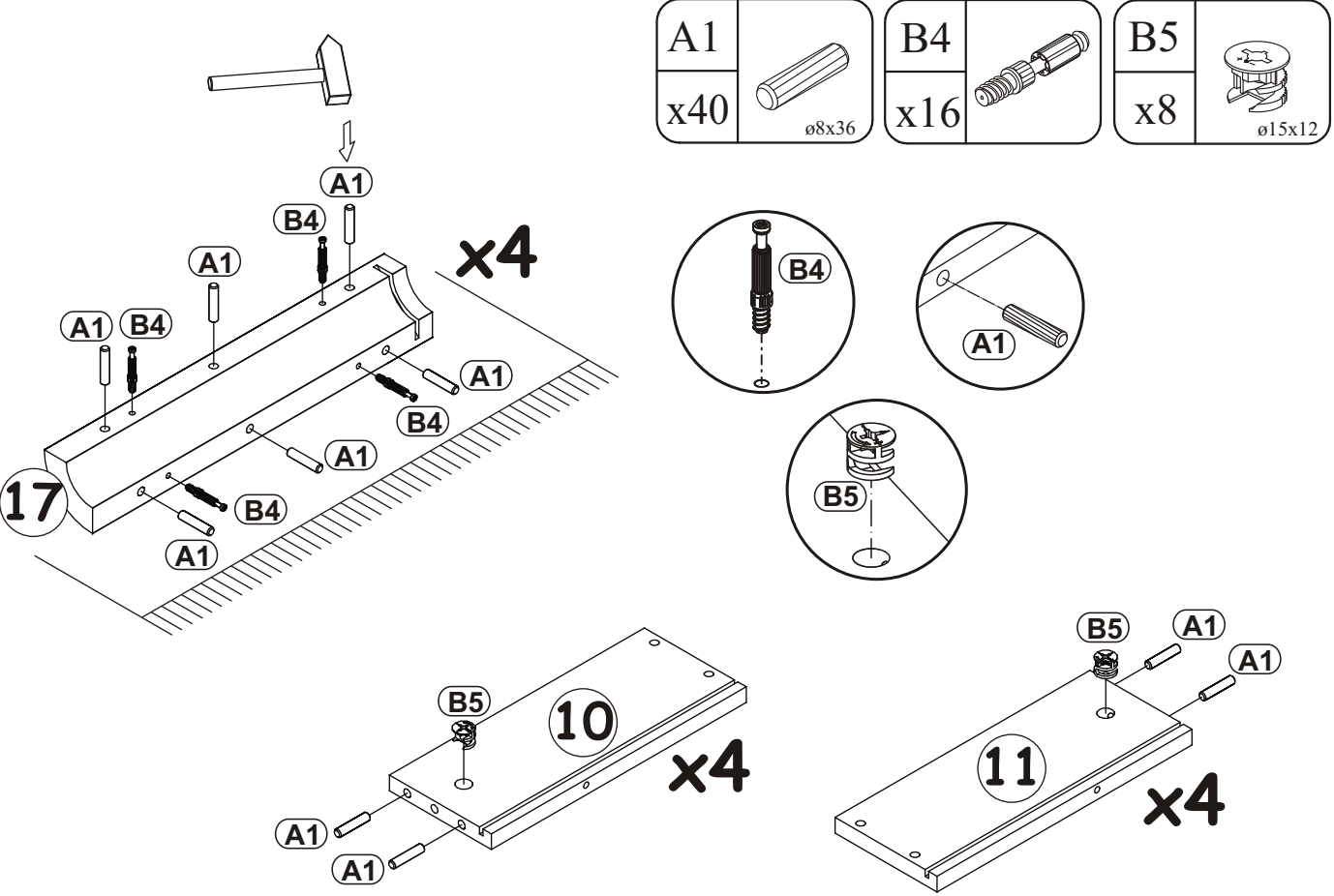
6



B4	
x8	

E2	
x8	H=0

7





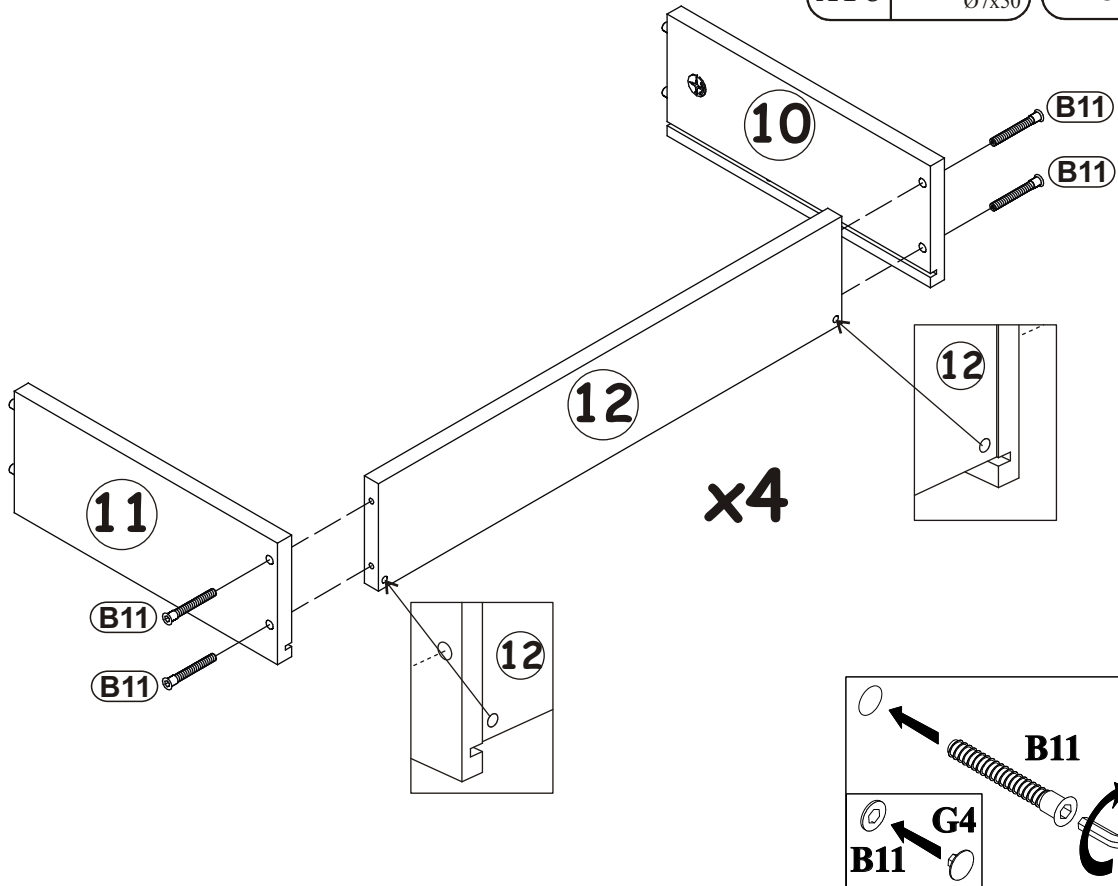
A1	
x40	ø8x36

B4	
x16	


B5	
x8	ø15x12

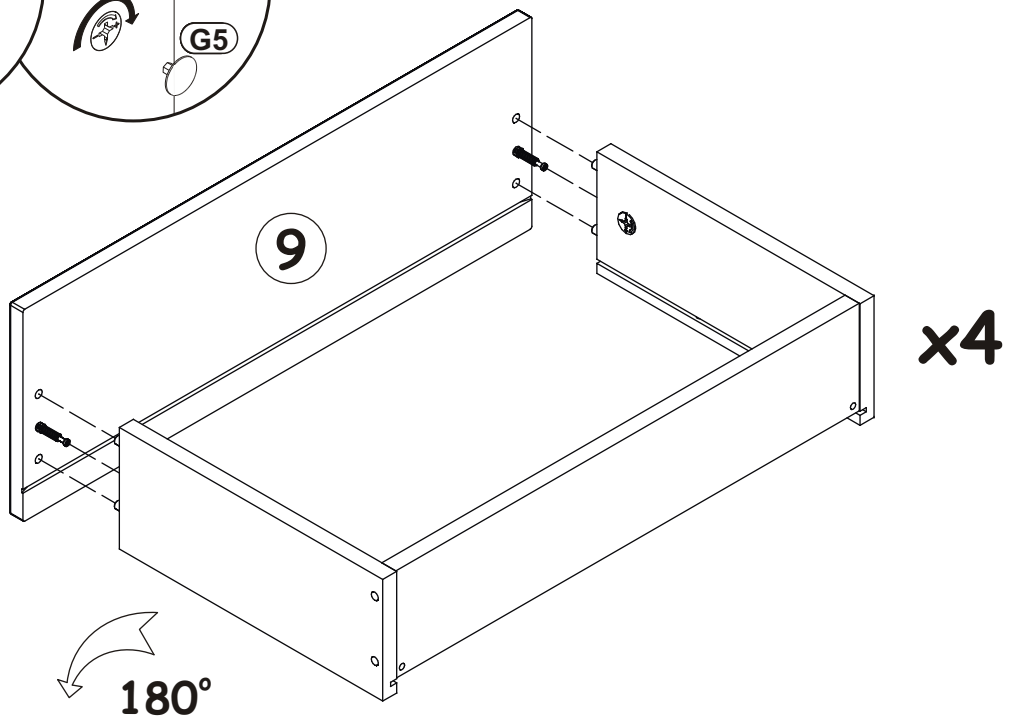
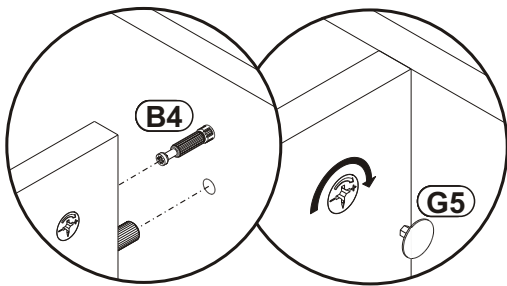
8

B11		G4	
x16	Ø7x50	x16	

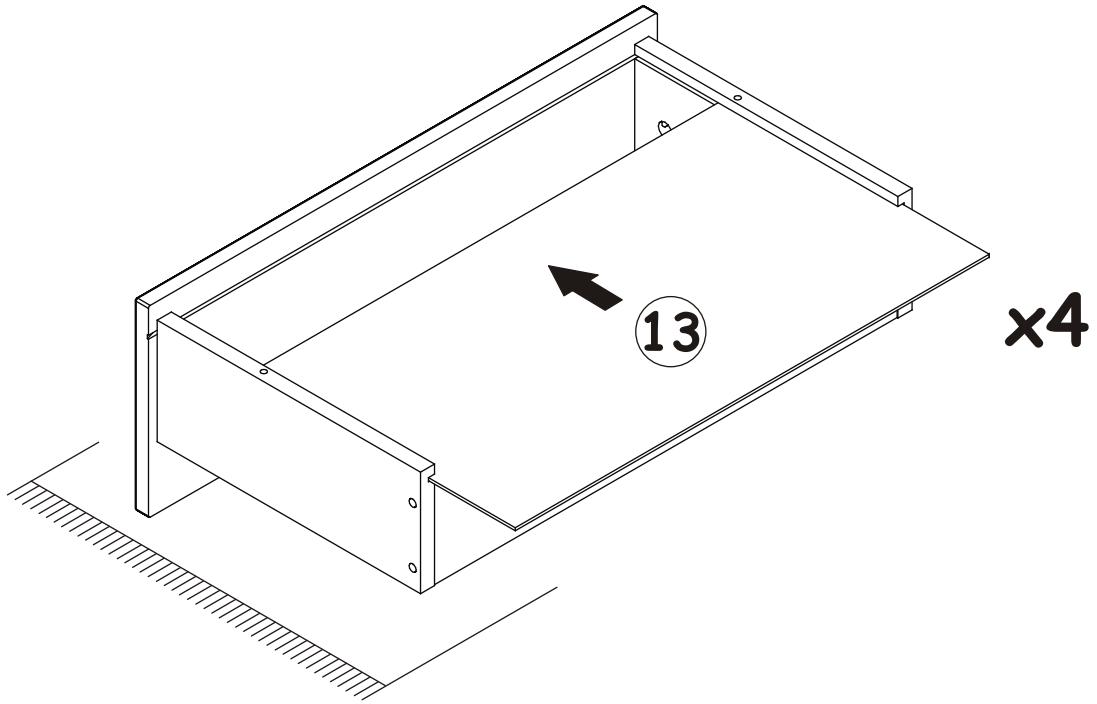


9

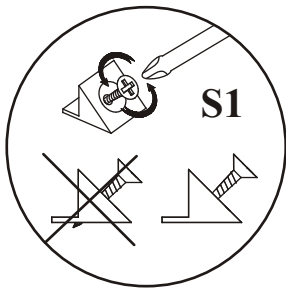
G5	
x8	



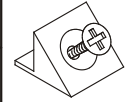

10

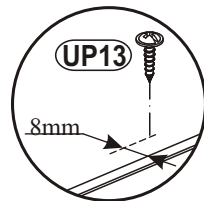
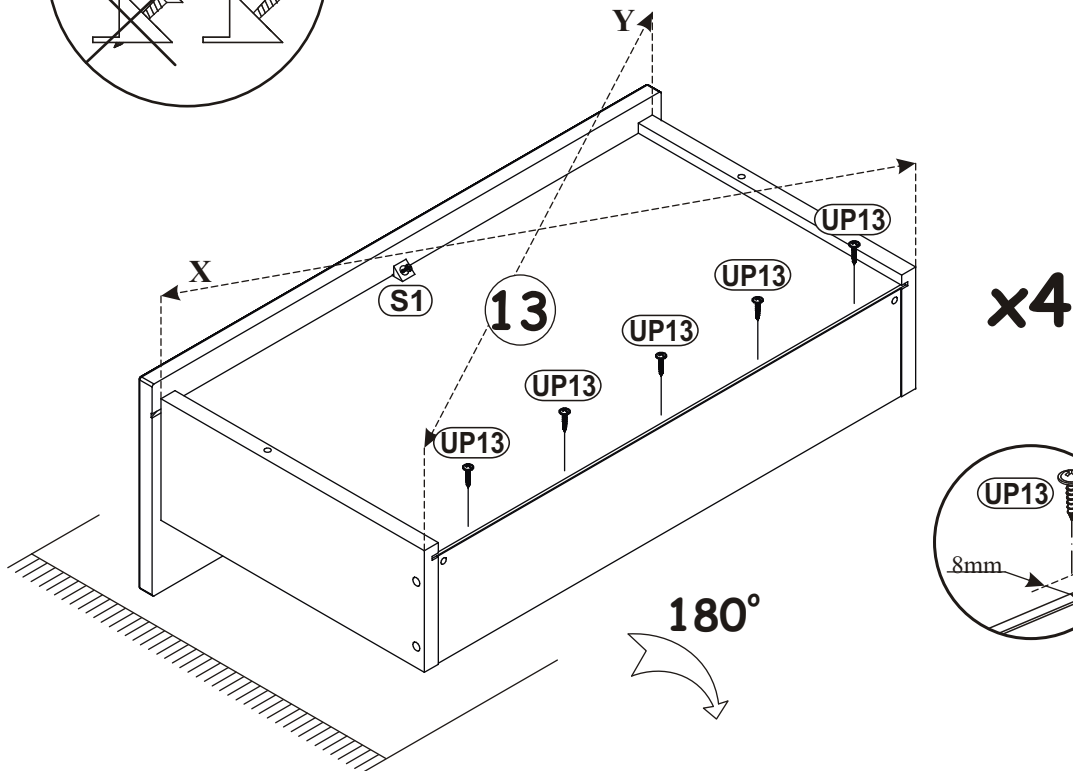


11

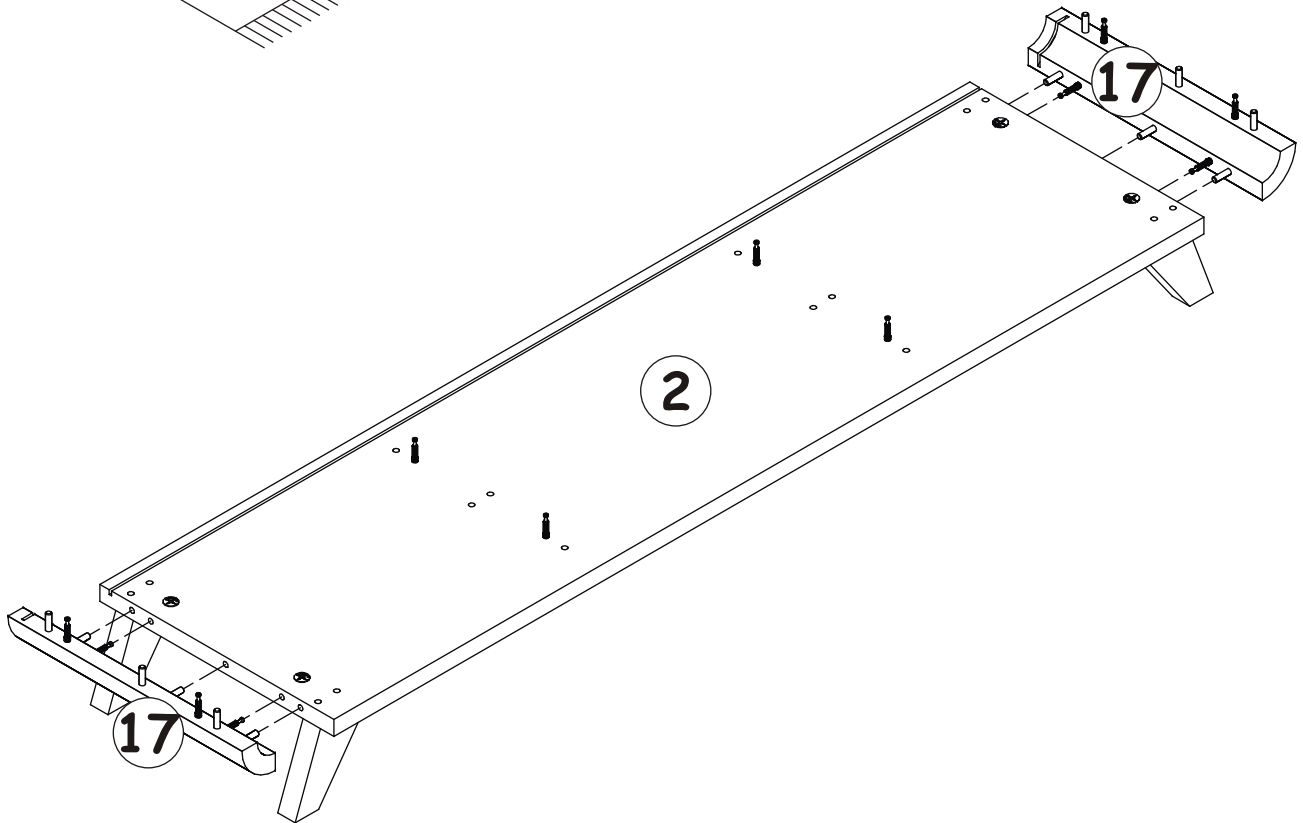
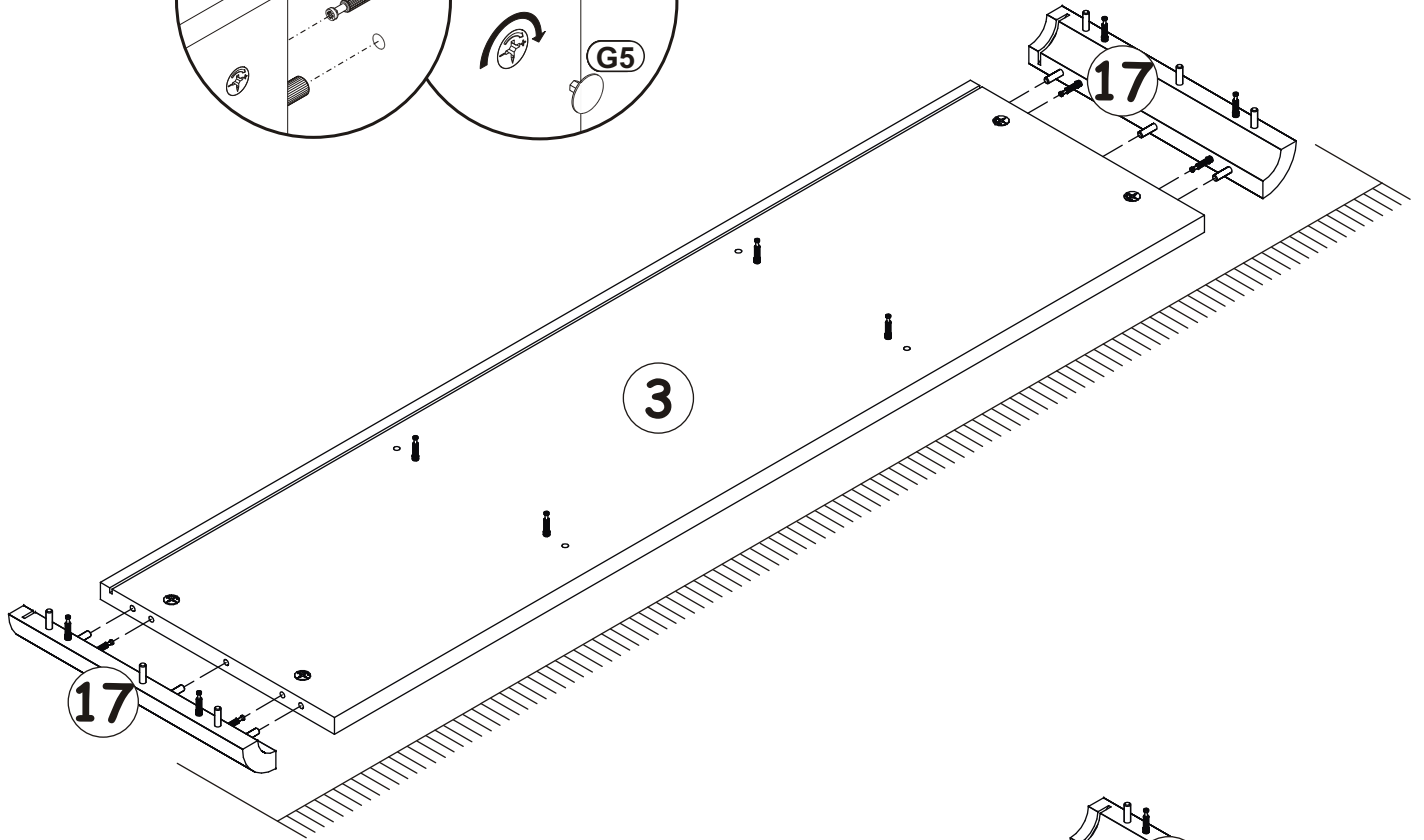
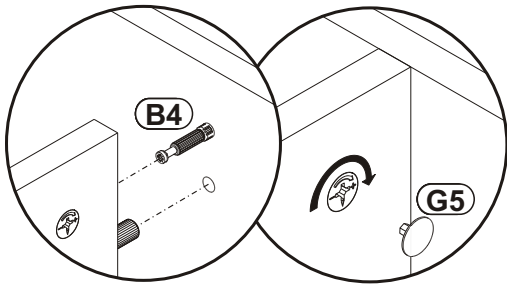


X=Y \uparrow 90°

S1		UP13	
x4		x20	UPØ3x16

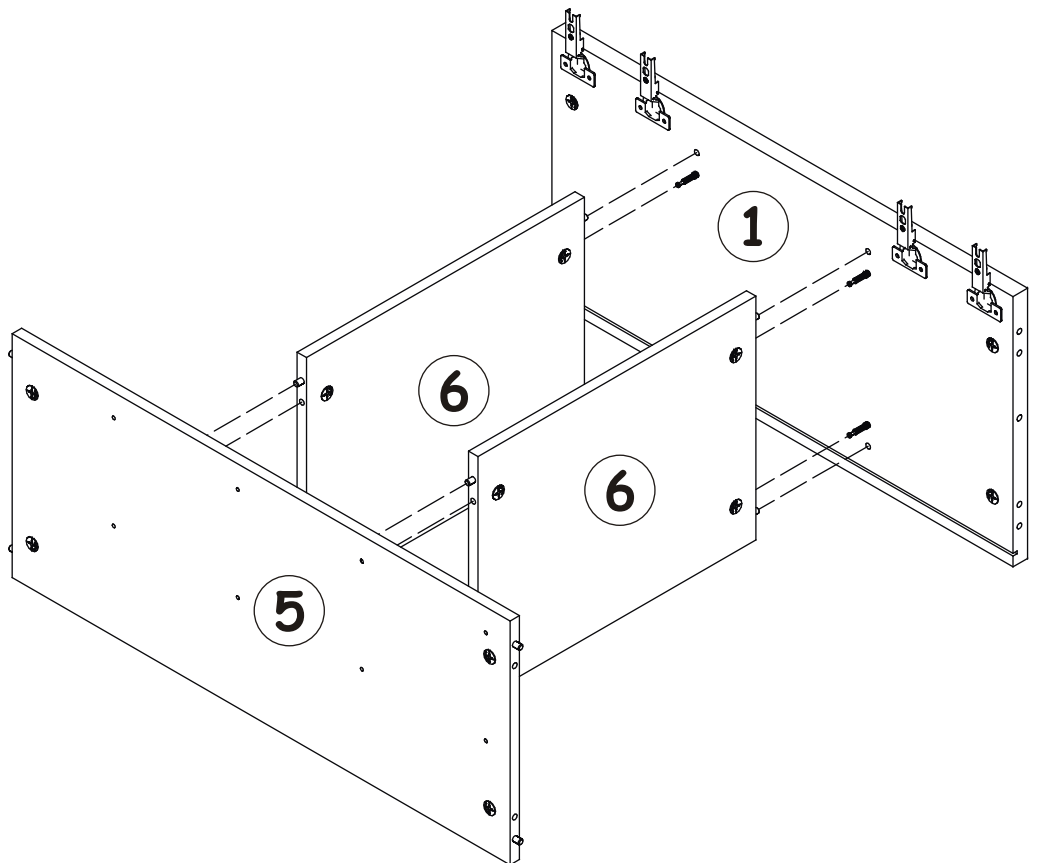
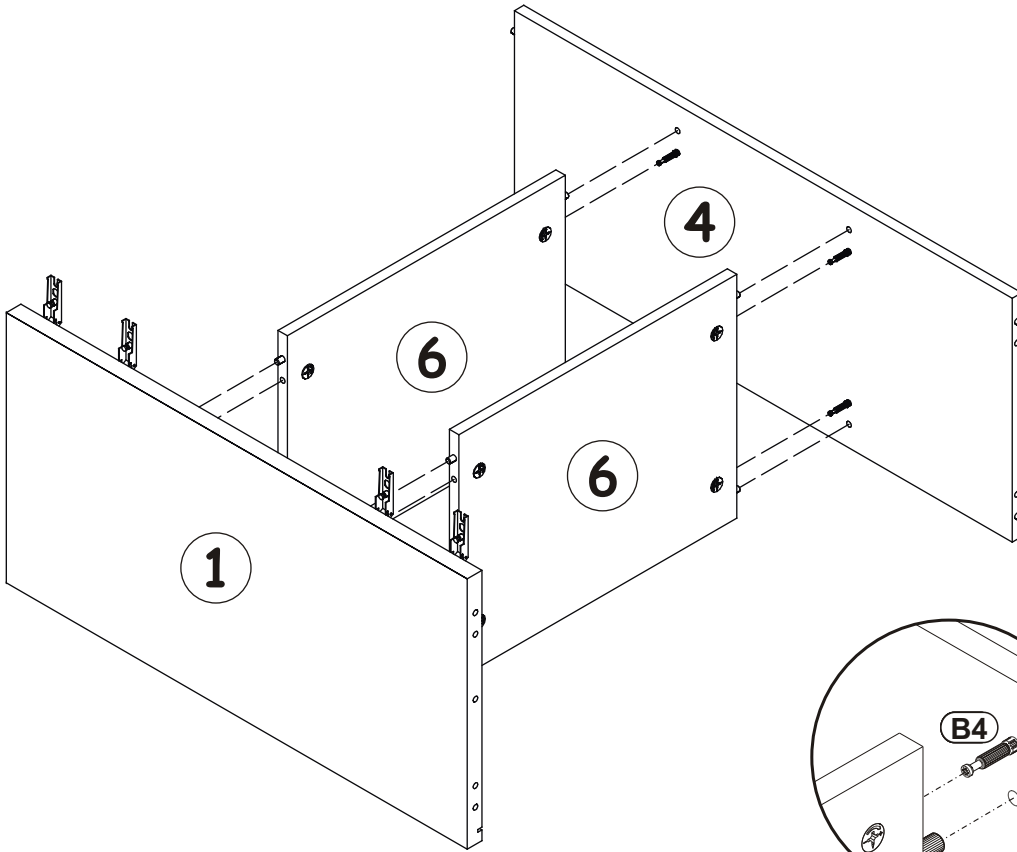



12





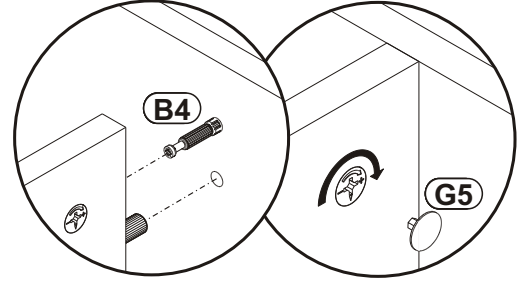
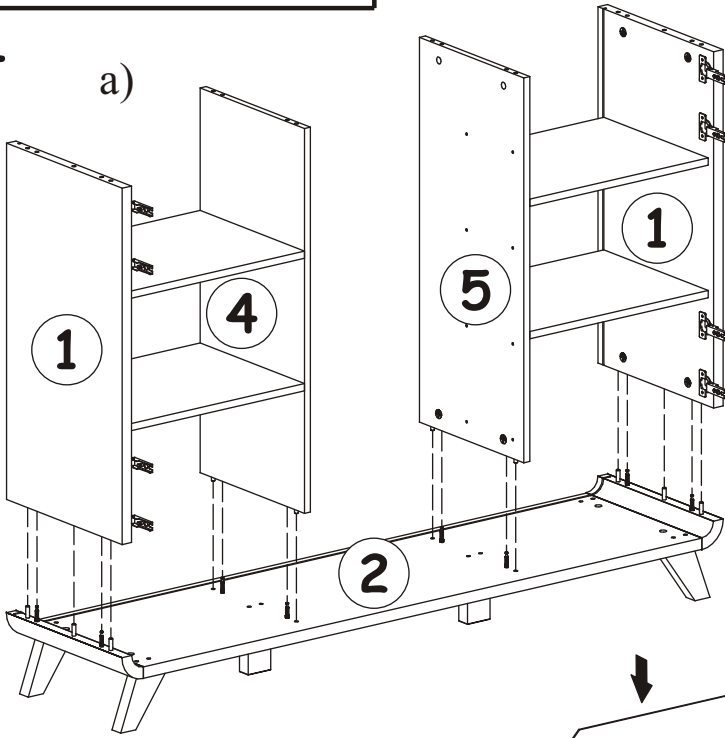
13



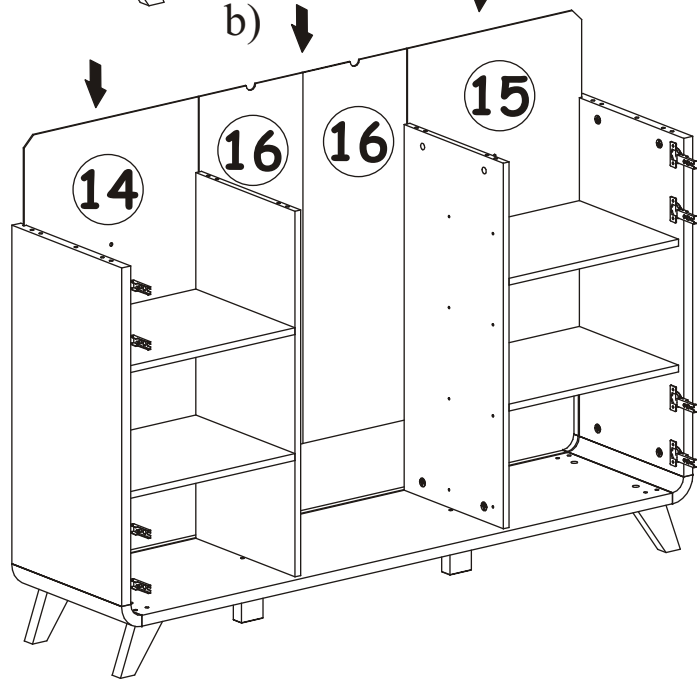
G5	
x16	

14

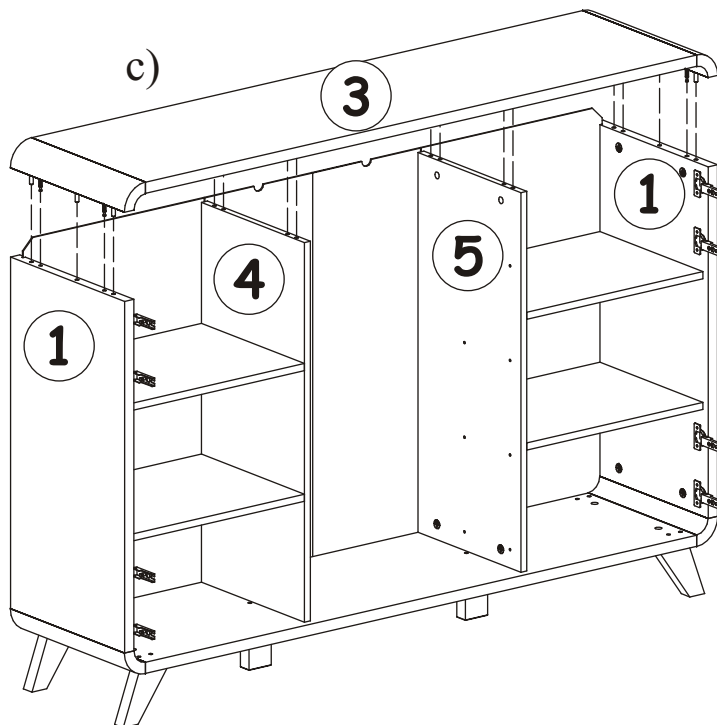
a)



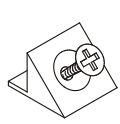
b)

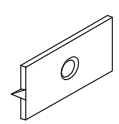



c)



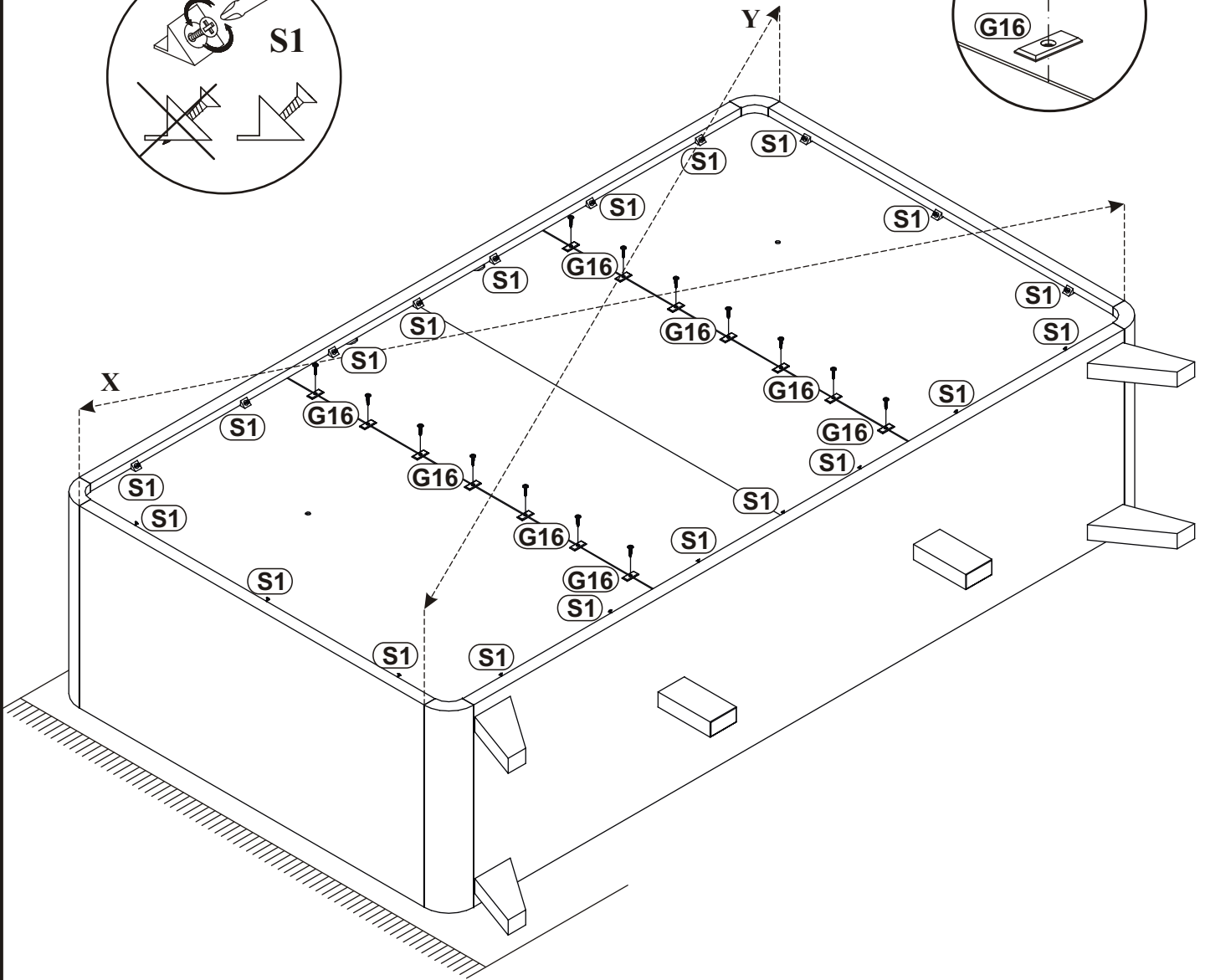
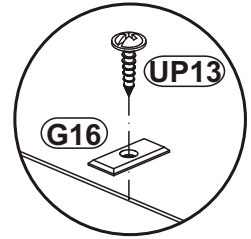
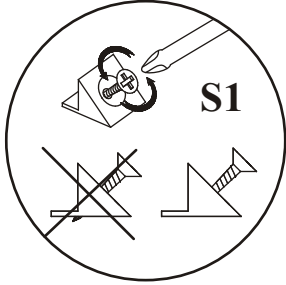
15

S1	
x20	


G16	
x14	

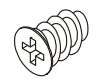
UP13	
x14	UPØ3x16

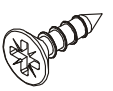
X=Y \uparrow 90°

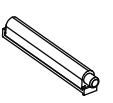


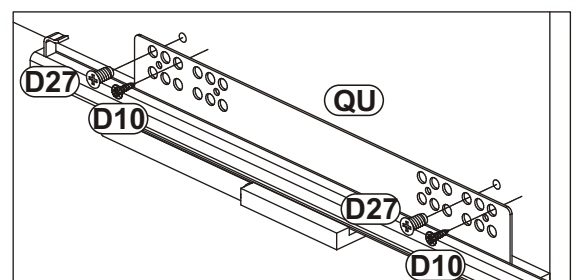
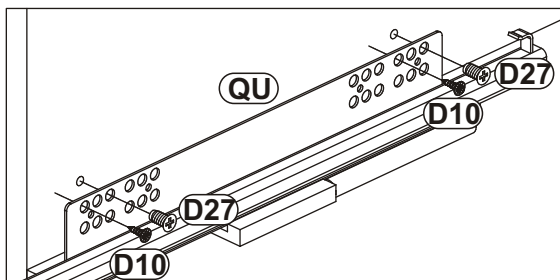
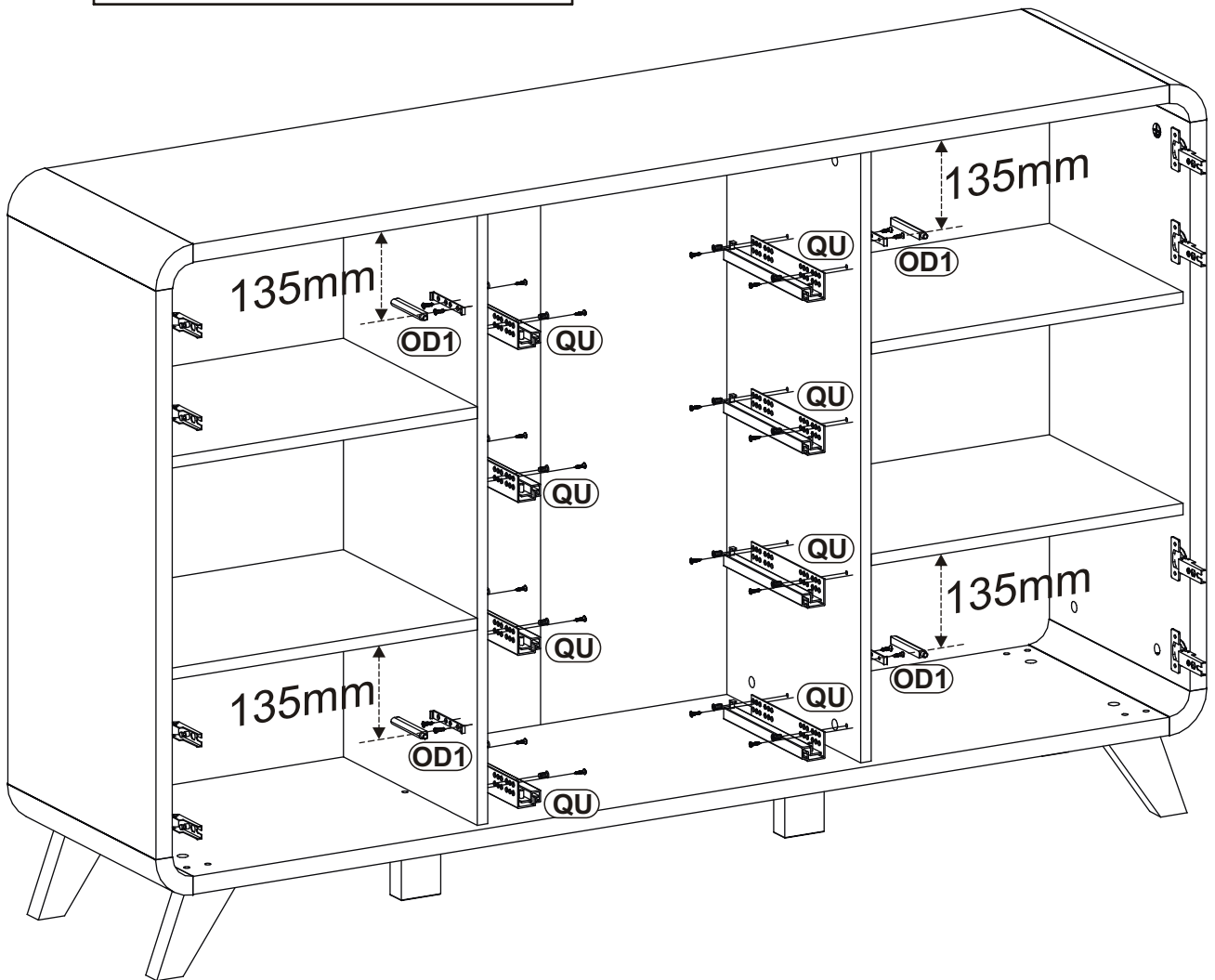
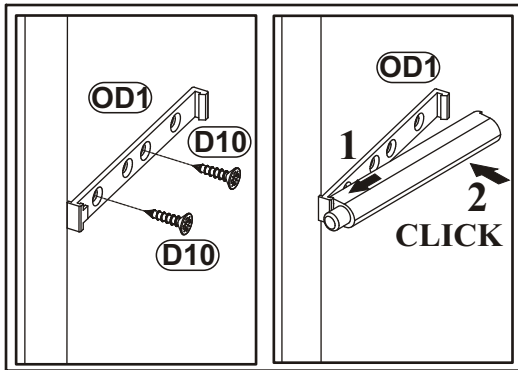
16

QU	
x4	L-300

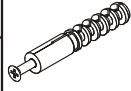
D27	
x16	ES06x8

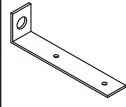
D10	
x24	US03,5x13


OD1	
x4	

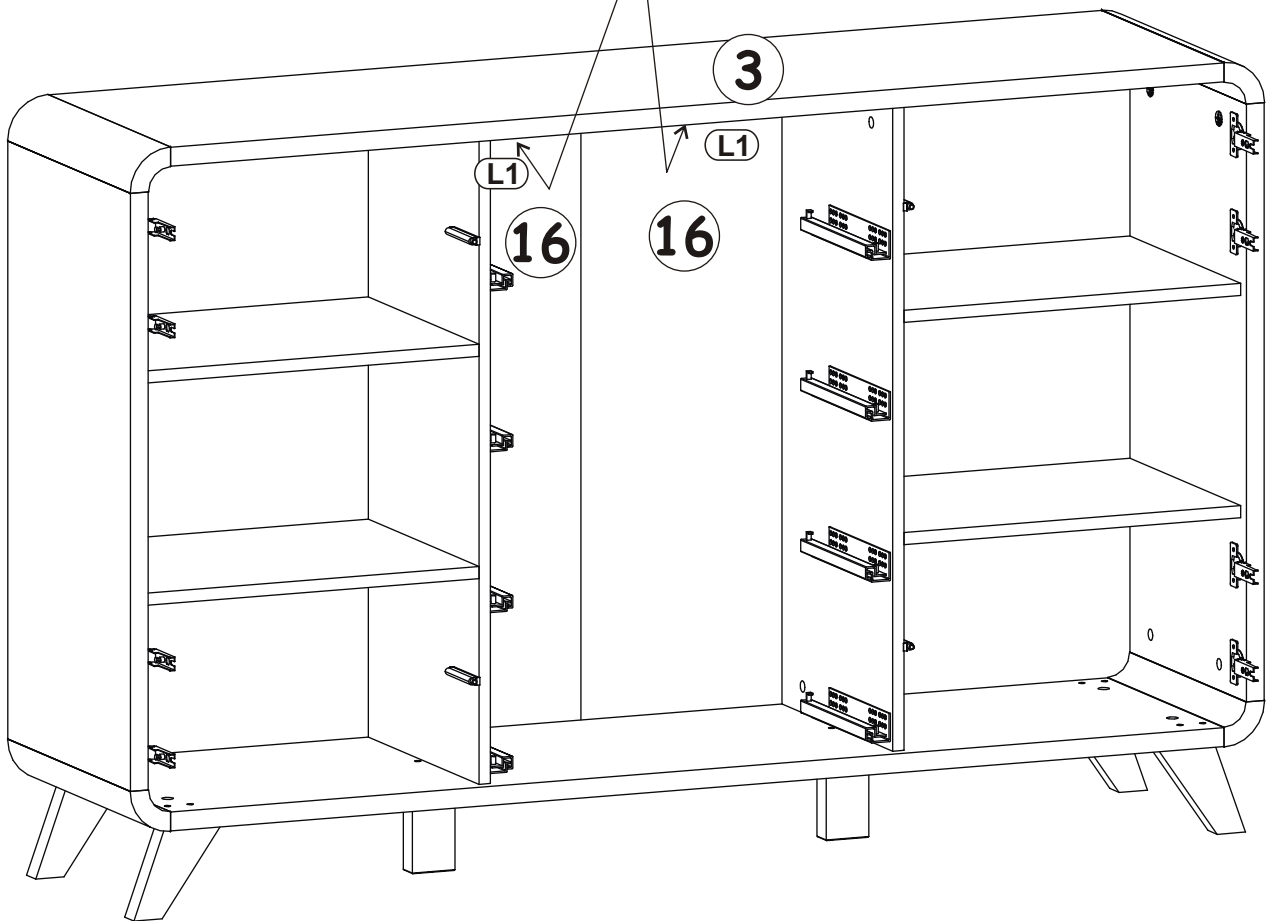
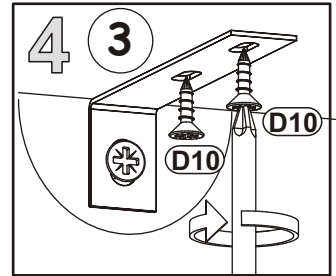
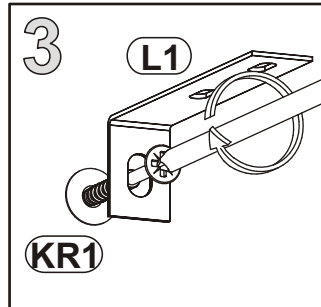
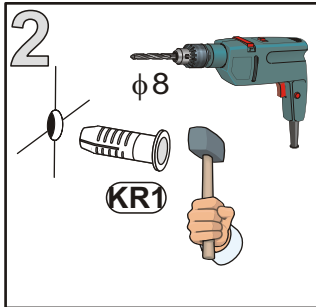
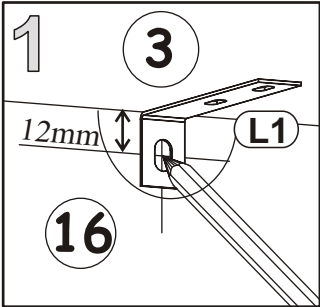
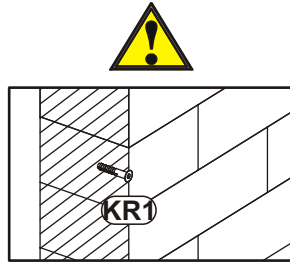
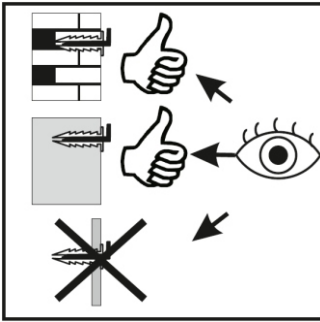


17

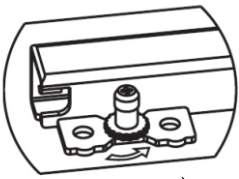
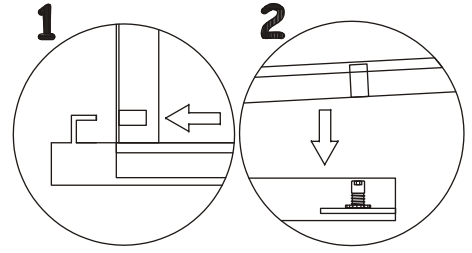
KR1	
x2	

L1	
x2	

D10	
x4	USØ3,5x13



18



↑+4 mm

