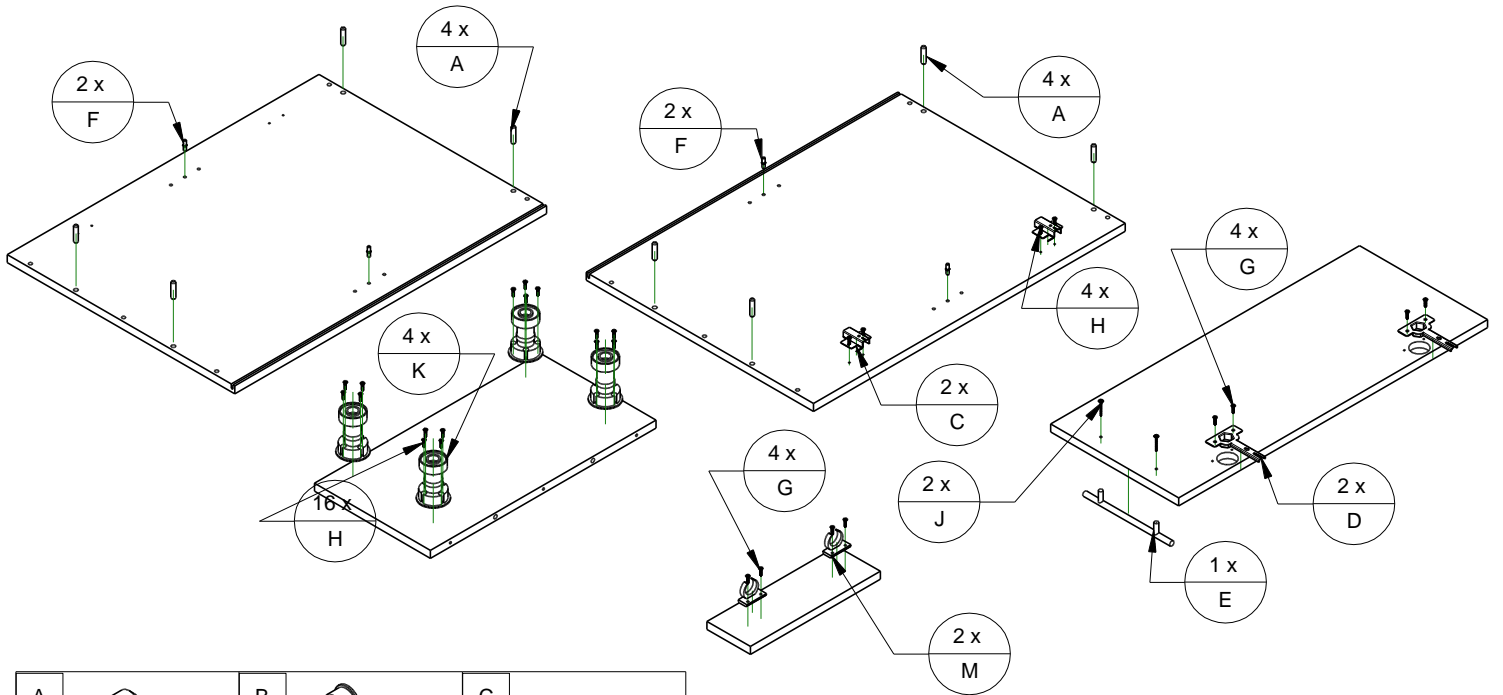




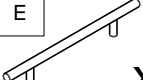
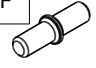

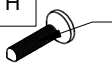
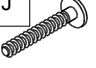
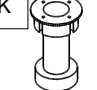
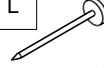

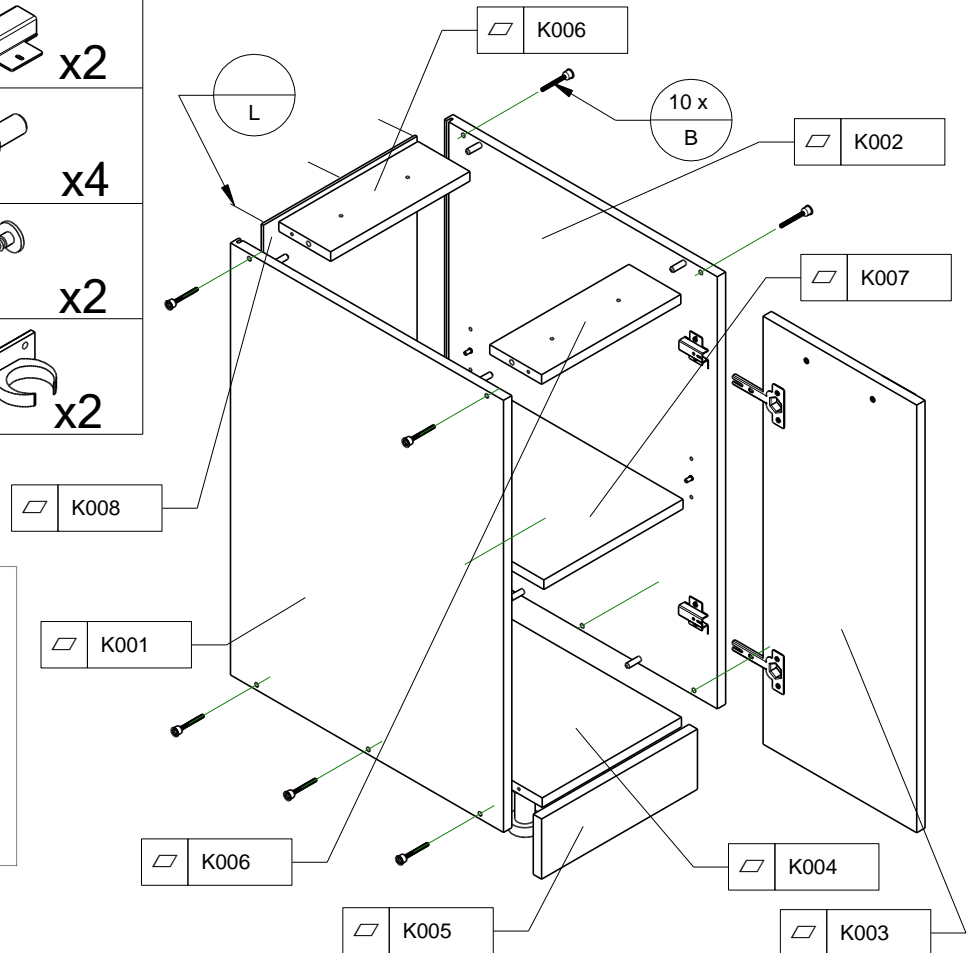
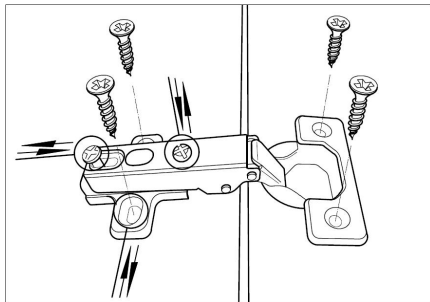


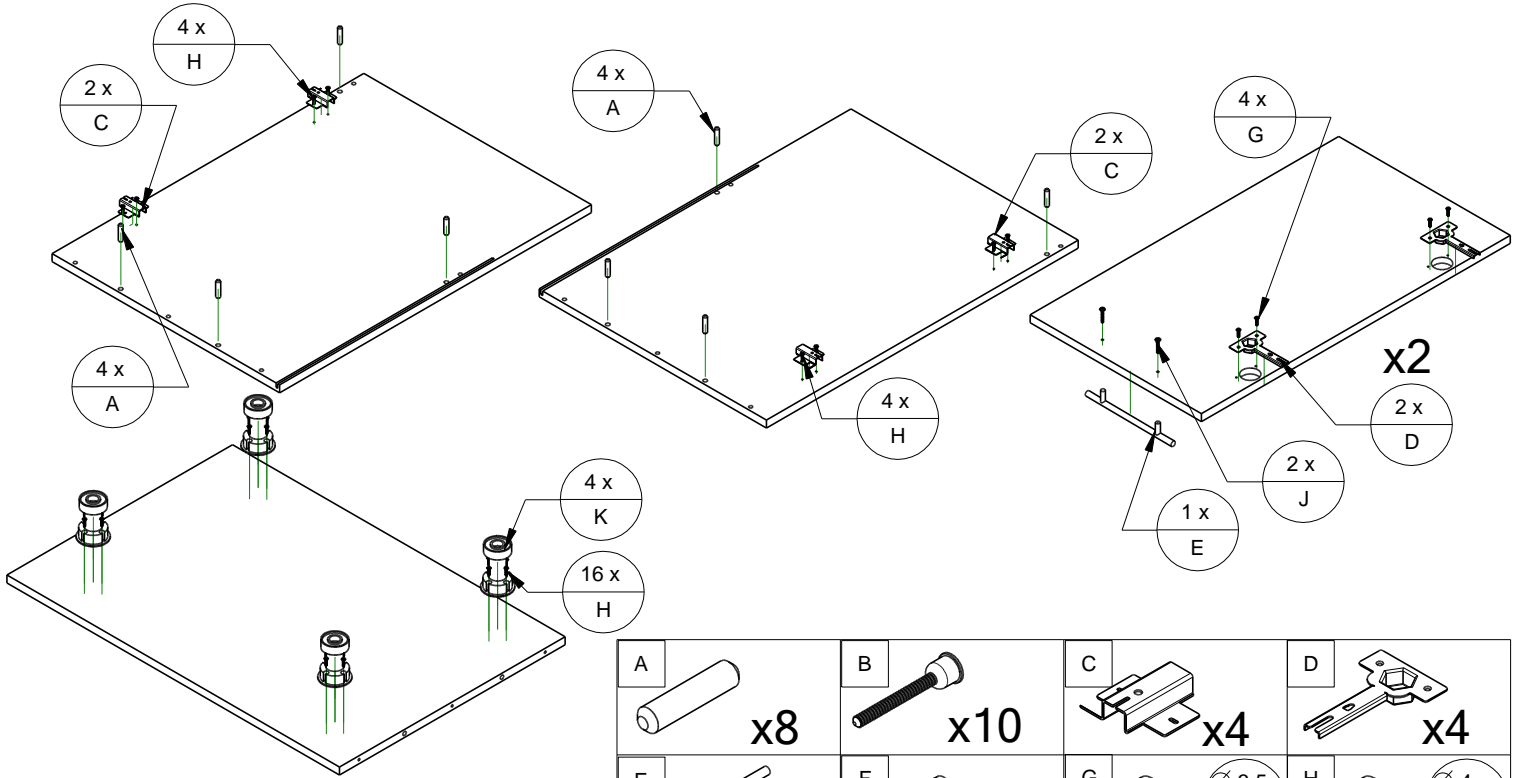
# D 30/40/60 1F

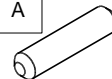
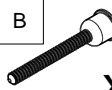
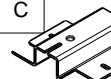
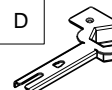

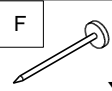
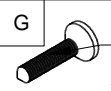
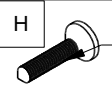
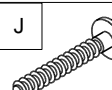
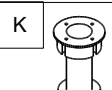
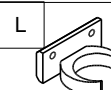


A	B	C
		
x8	x10	x2
D	E	F
		
x2	x1	x4
G	H	J
		
$\varnothing 3,5$ x8	$\varnothing 4$ x20	x2
K	L	M
		
x4	x20	x2



# D 80zi



A	B	C	D
 x8	 x10	 x4	 x4
E	F	G	H
 x2	 x10	 $\varnothing 3,5$ 16 x12	 $\varnothing 4$ 16 x8
J	K	L	M
 x4	 x4	 x2	

