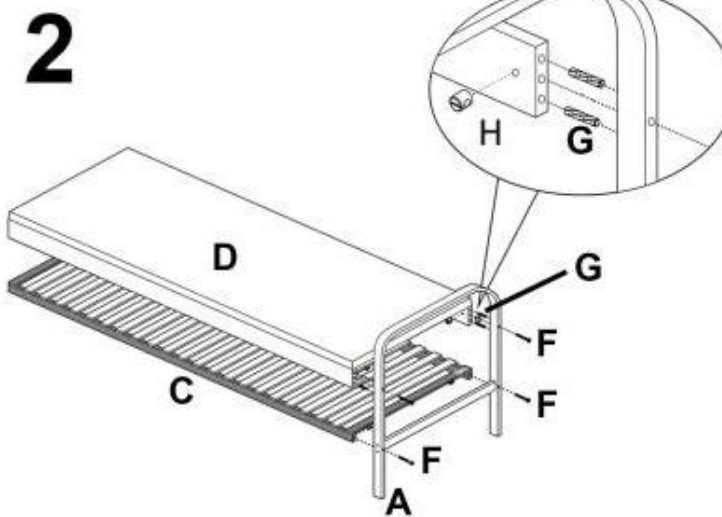
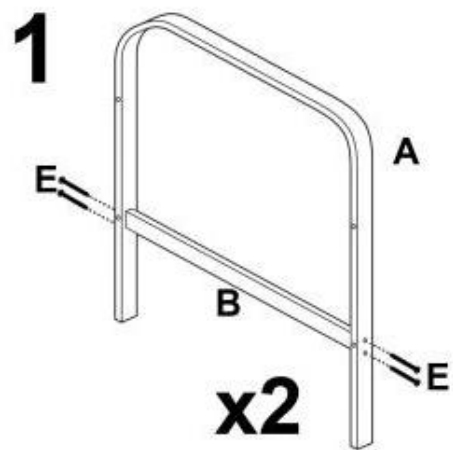


ST-12



A		2
B		2
C		1
D		1
E		8
F		8
G		8
H		8

