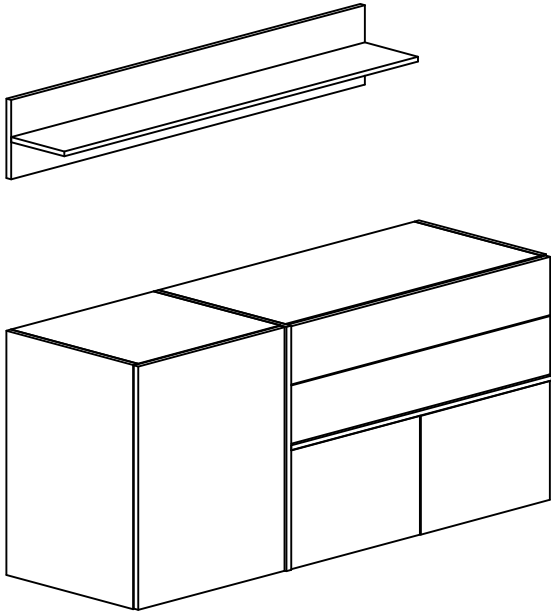
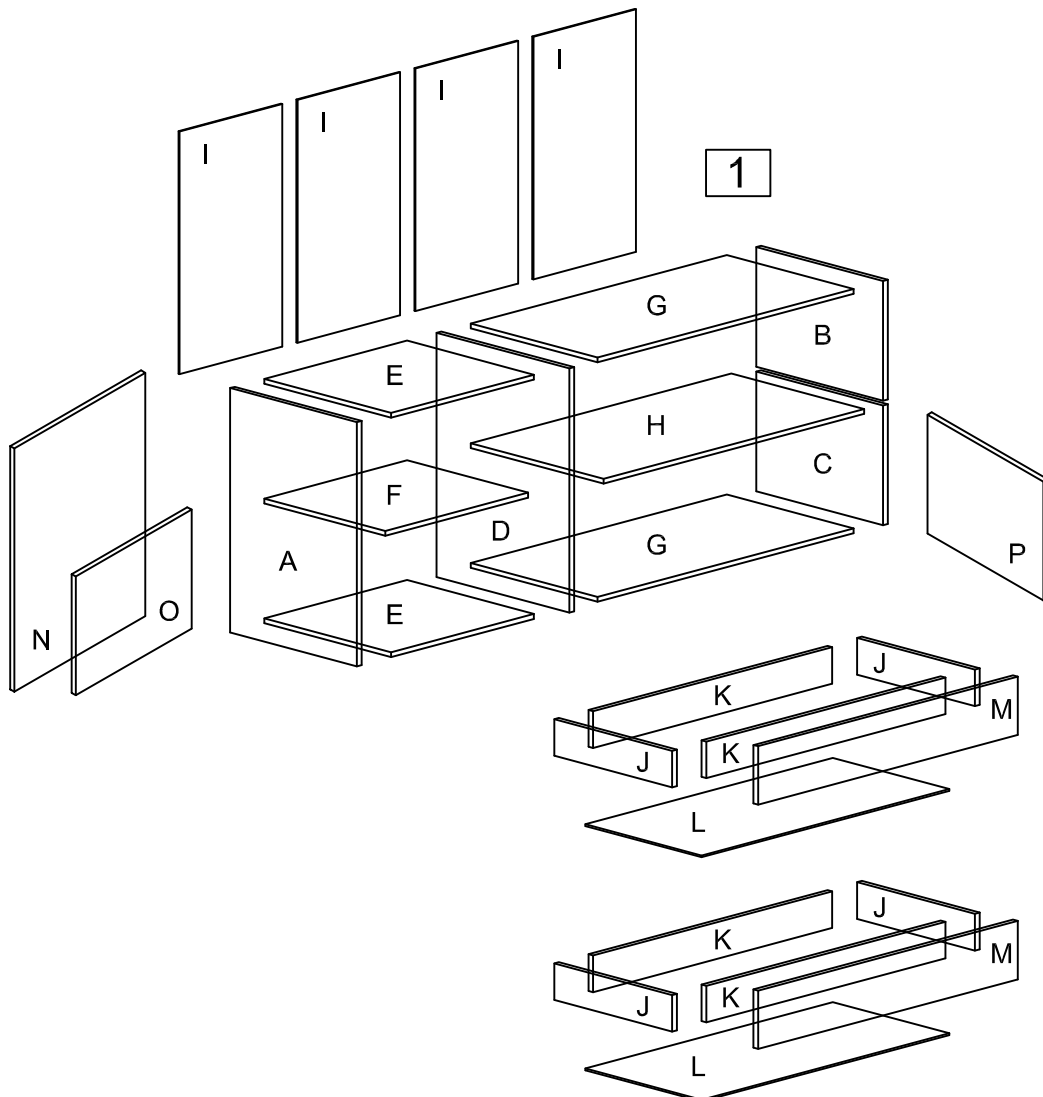


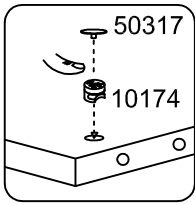
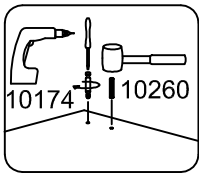
Model 1



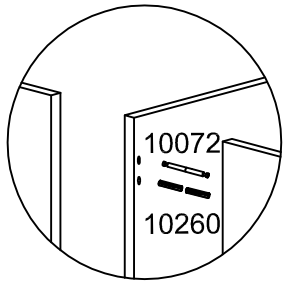
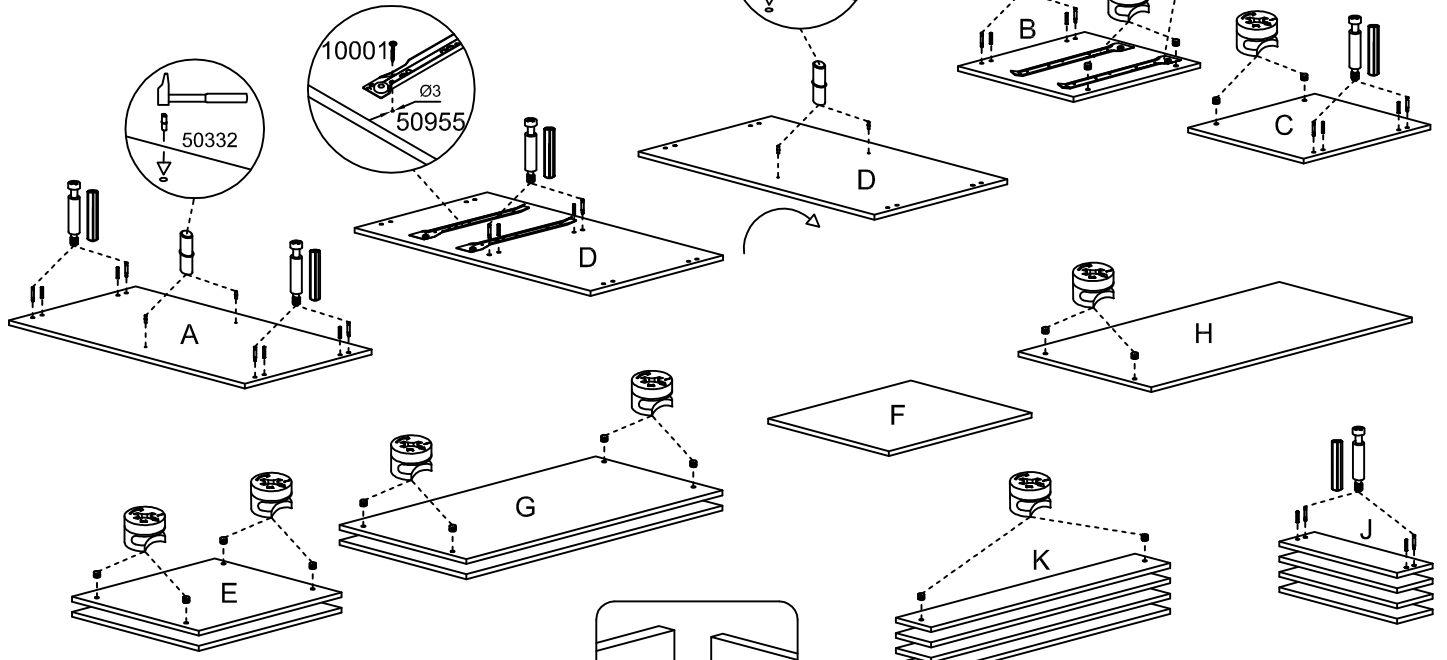
A	800x430	1/4
B	392x430	3/4
C	392x430	3/4
D	800x450	1/4
E	2x 484x430	3/4
F	484x410	3/4
G	2x 868x430	2/4
H	884x450	2/4
I	4x 795x348	2/4
J	4x 400x120	3/4
K	4x 811x120	1/4
L	2x 840x395	2/4
M	2x 880x191	2/4
N	496x797	1/4
O	438x389	3/4
P	438x389	3/4
Q	1200x260	4/4
R	1200x180	4/4

22x 10174	6x L 86mm 10072	32x Φ 8/30 10260	34x 50317	4x 50332	2x L 400 mm 50955	5x 40114	6x 50738
3x 10060	3x Φ 6/80 10021	2x 40149	4x 40121	32x Φ 3,5/16 10001	8x Φ 3,5/20 10002	4x Φ 3,5/30 10004	 10033

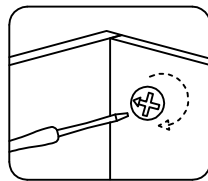
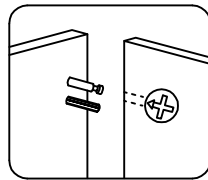




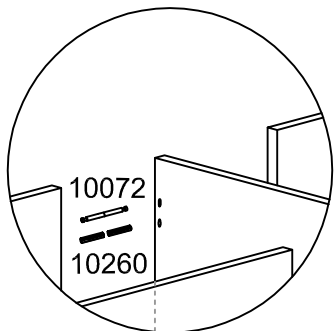
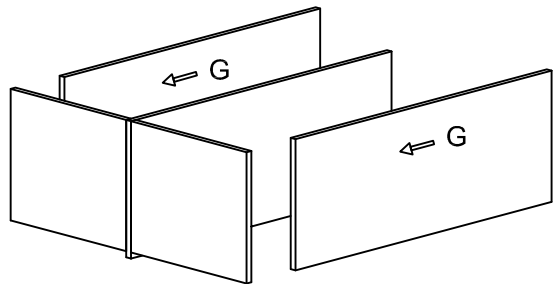
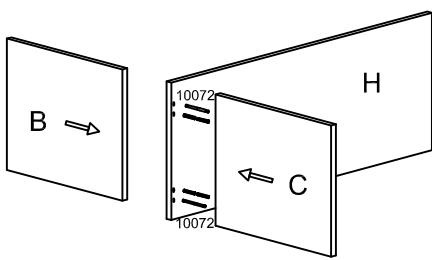
1.1



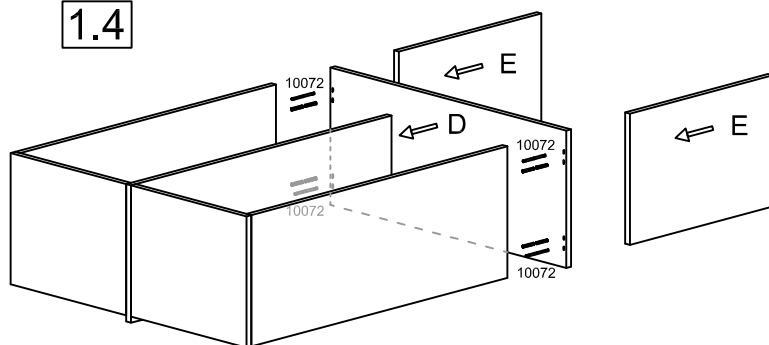
1.2

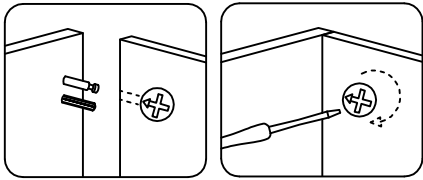


1.3

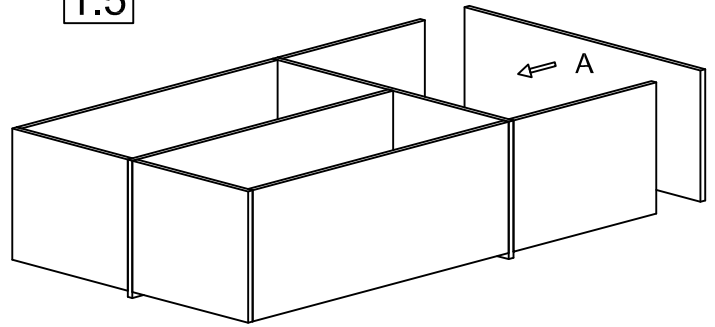


1.4

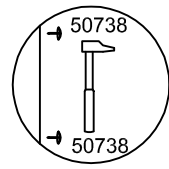
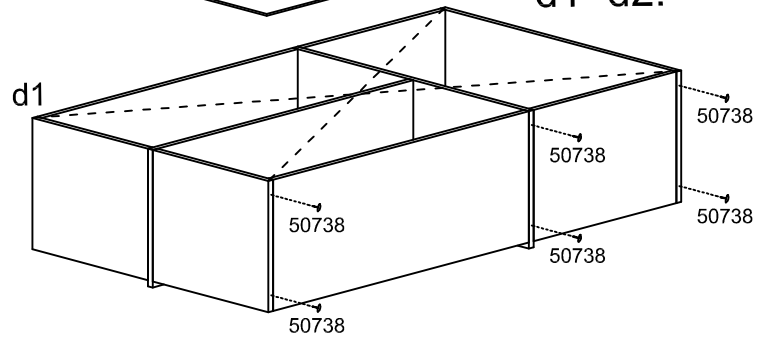
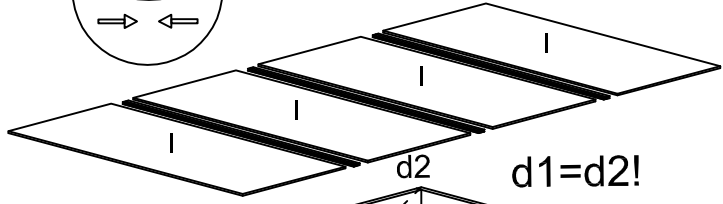
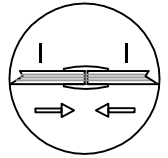




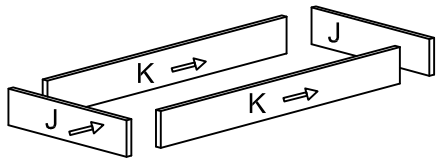
1.5



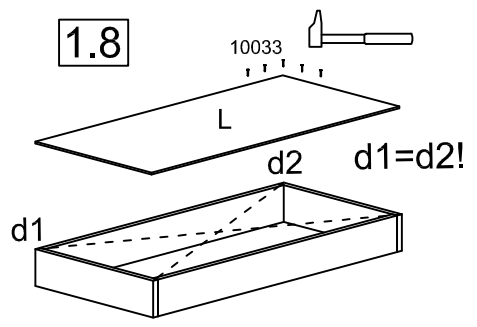
1.6



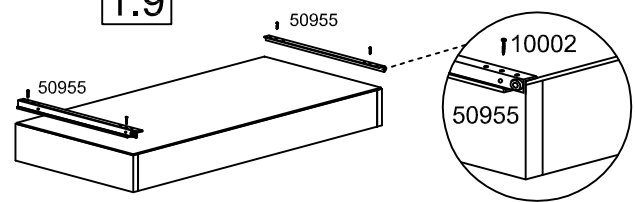
1.7



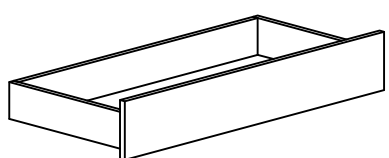
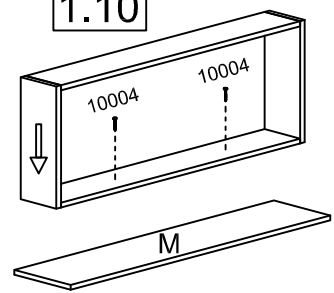
1.8



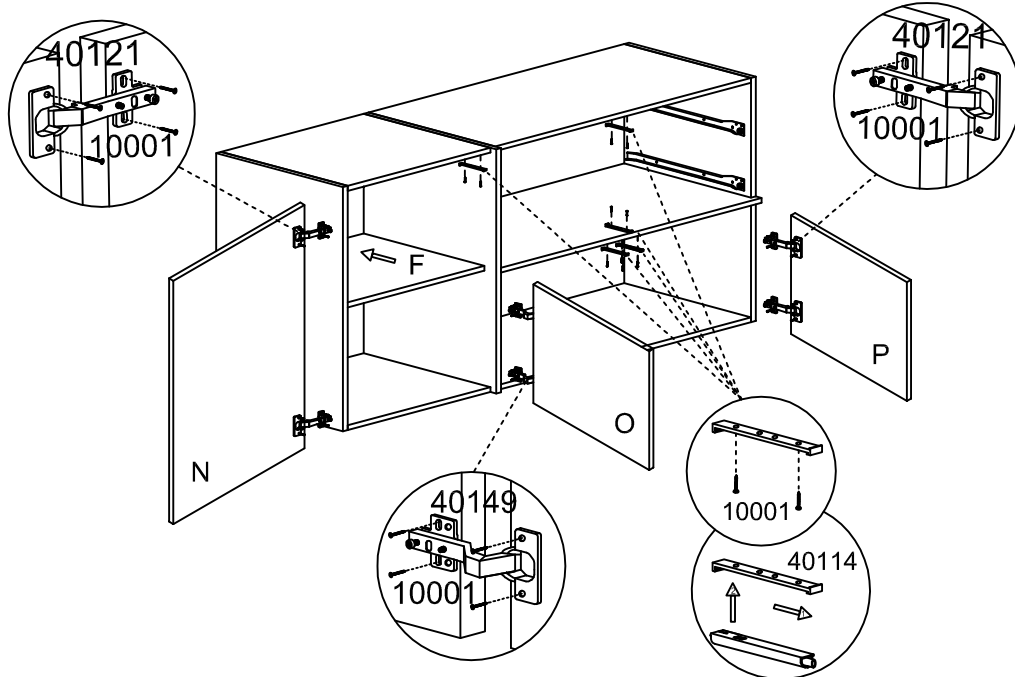
1.9



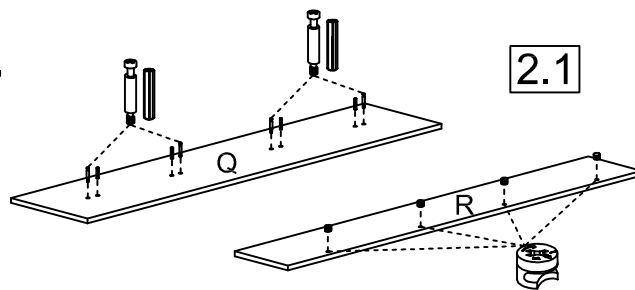
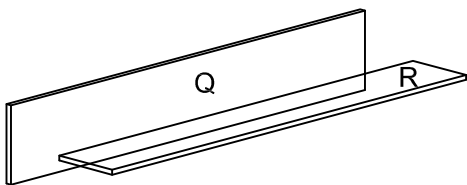
1.10



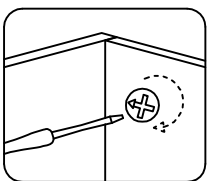
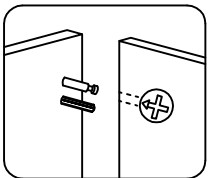
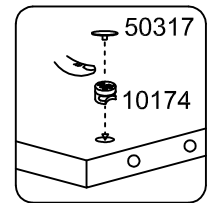
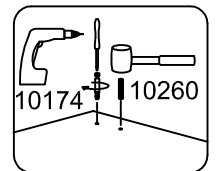
1.11



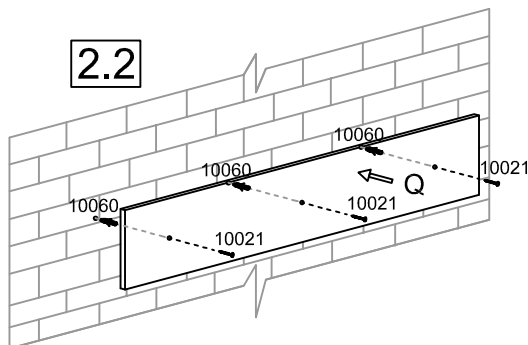
2



2.1



2.2



2.3

