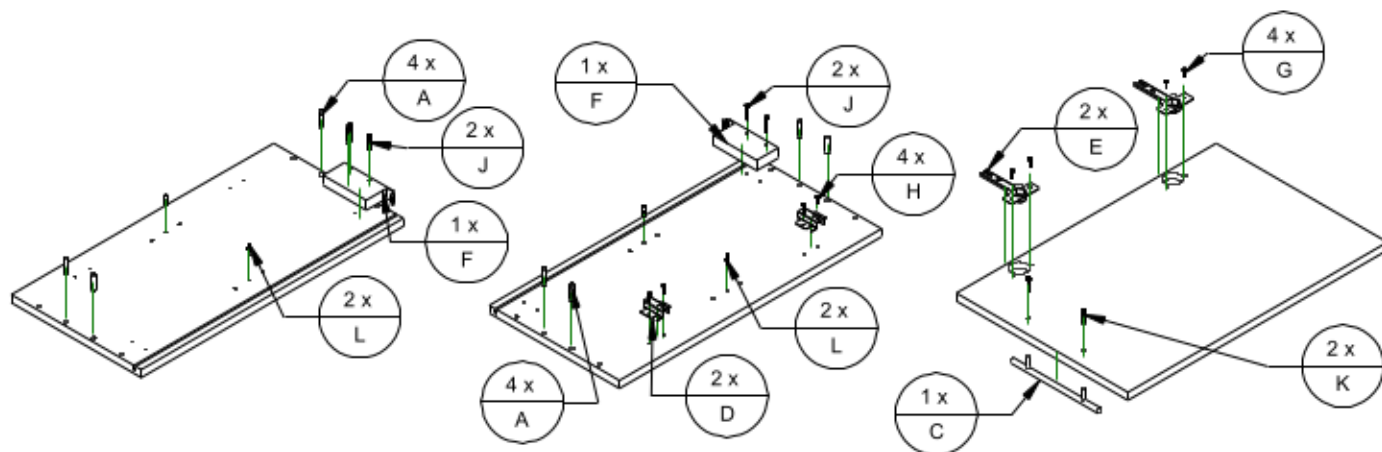
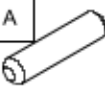
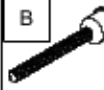



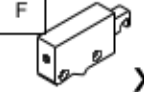
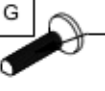
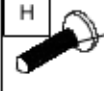


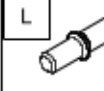
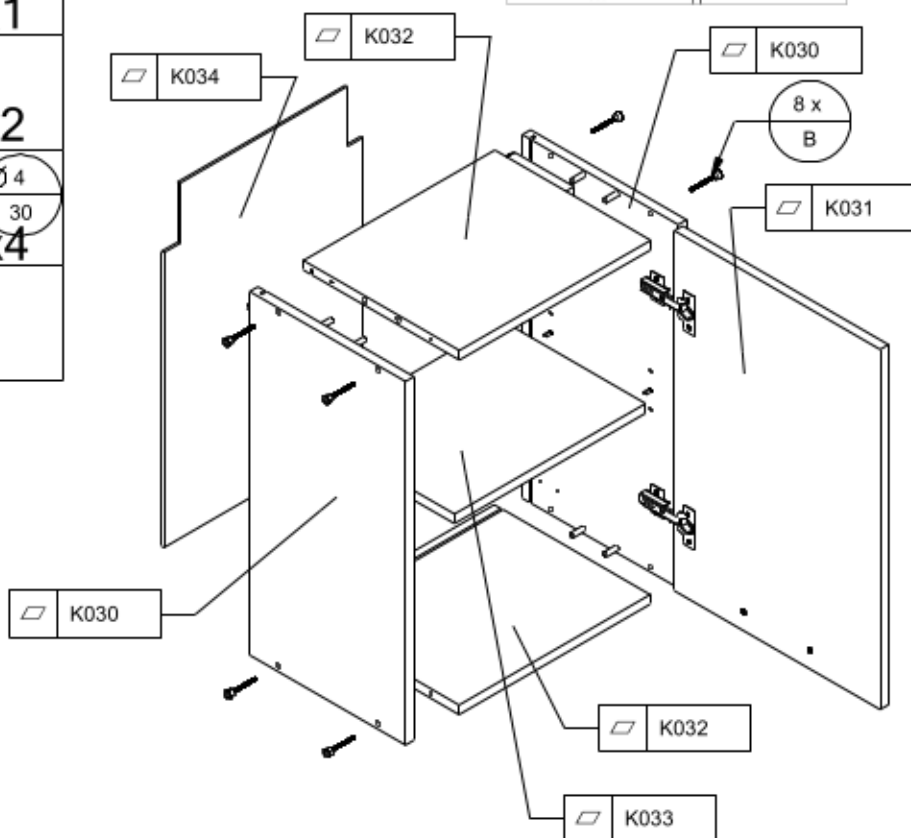


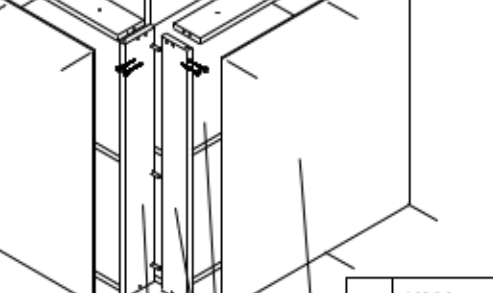
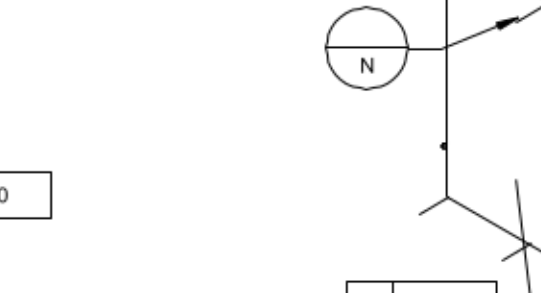
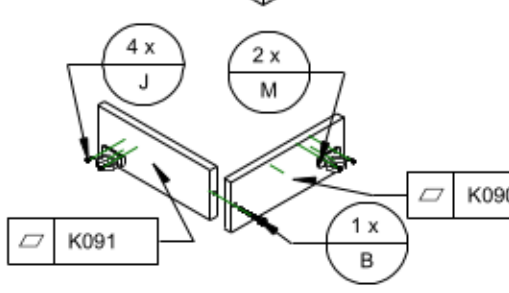
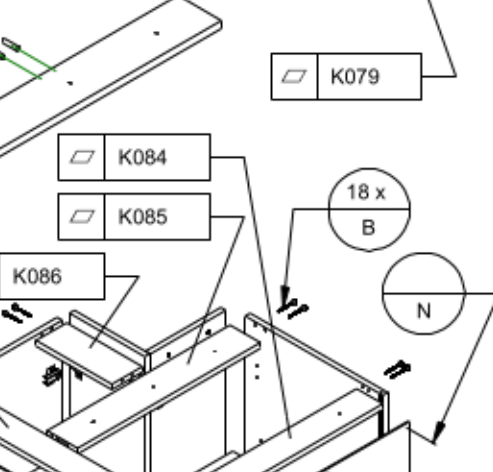
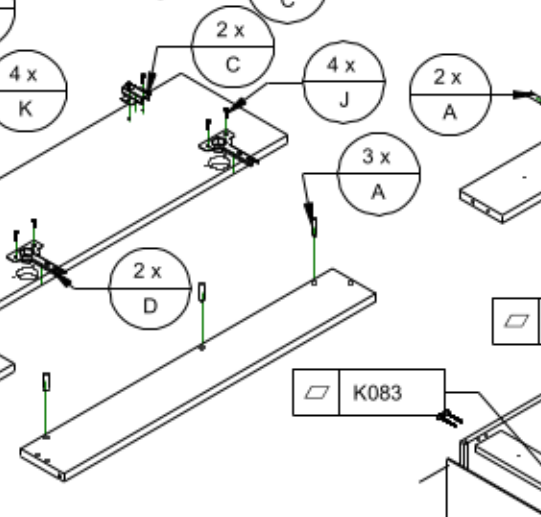
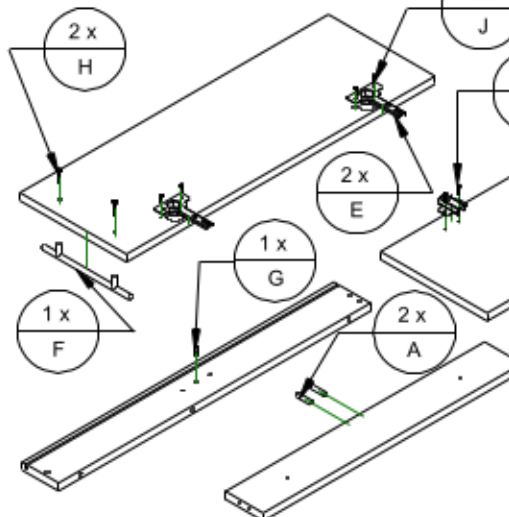
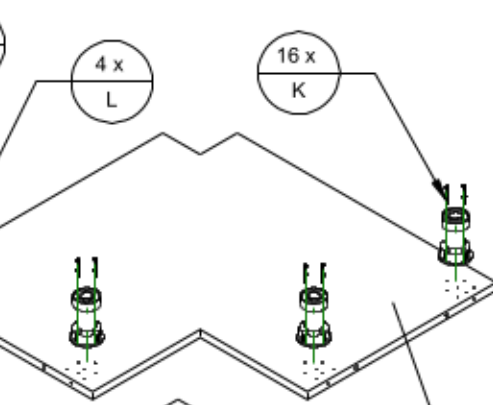
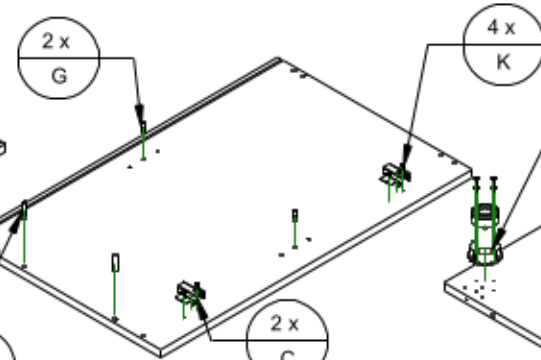
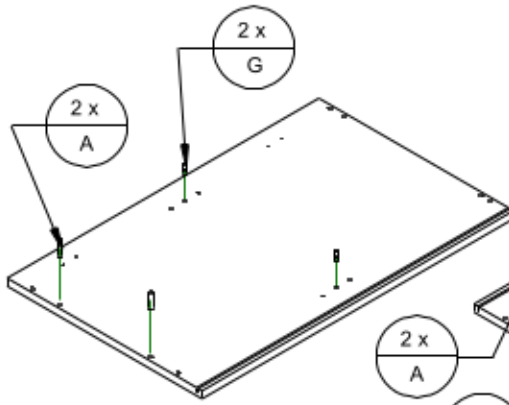
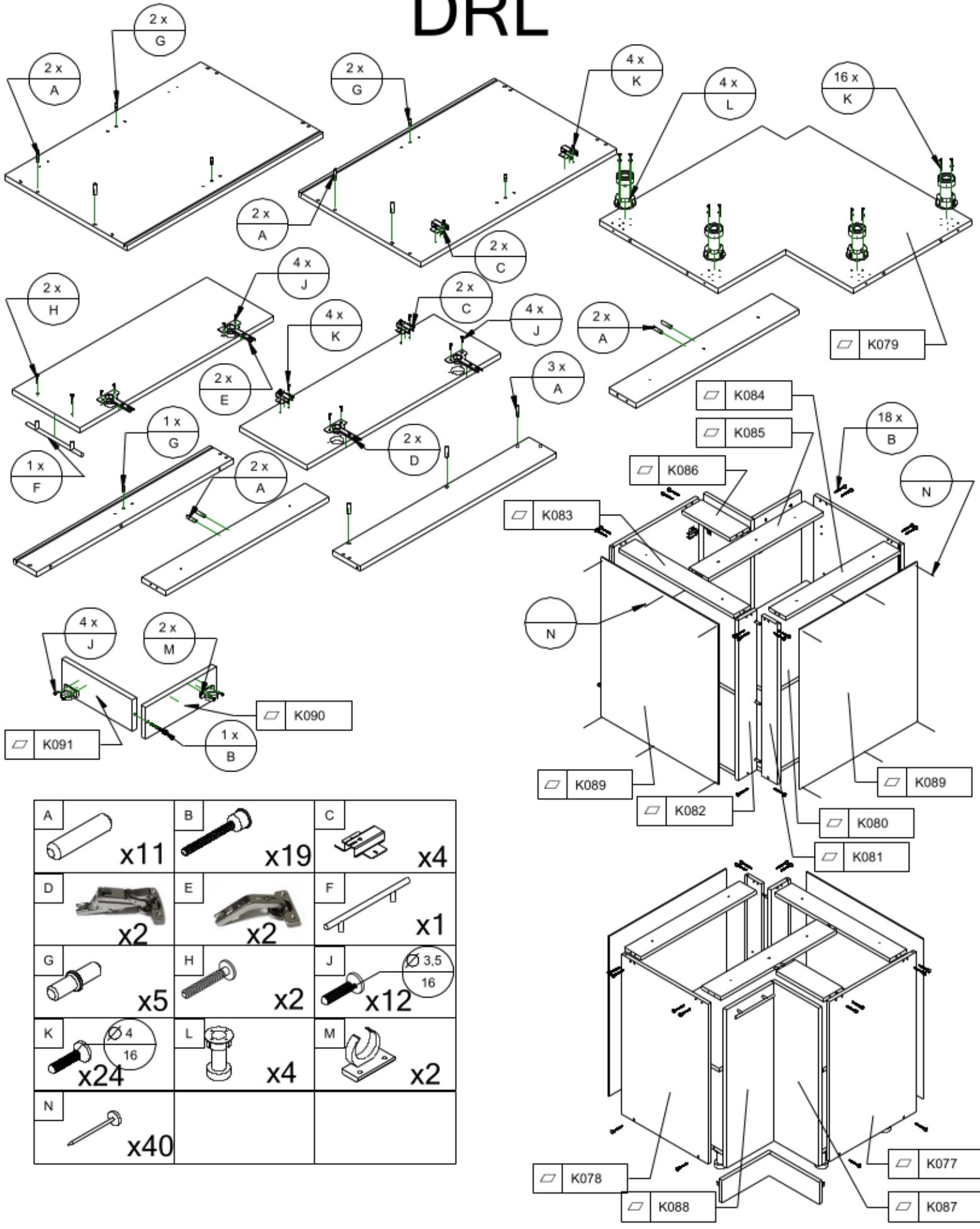
G30/40/60 1F






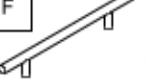









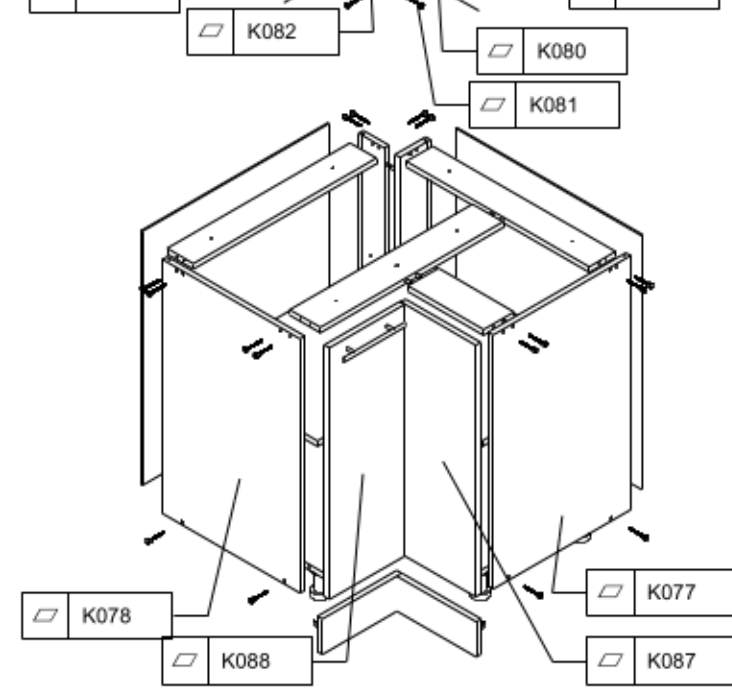
A		x8	B		x8	C		x1			
D		x2	E		x2	F		x2			
G		$\varnothing 3,5$ 16	x4	H		$\varnothing 4$ 16	x4	J		$\varnothing 4$ 30	x4
K		x2	L		x4	M					



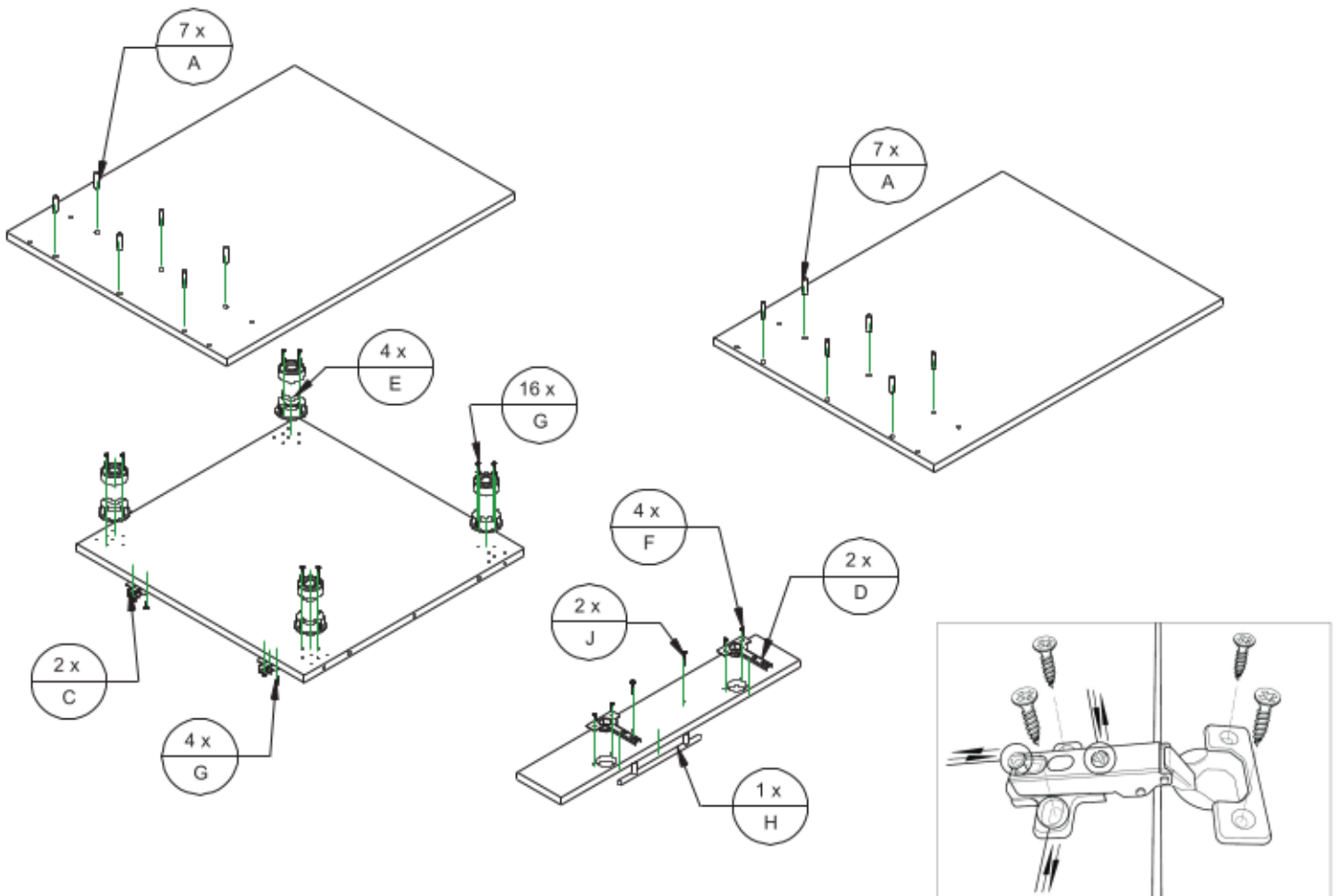
DRL

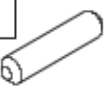

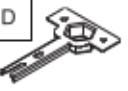








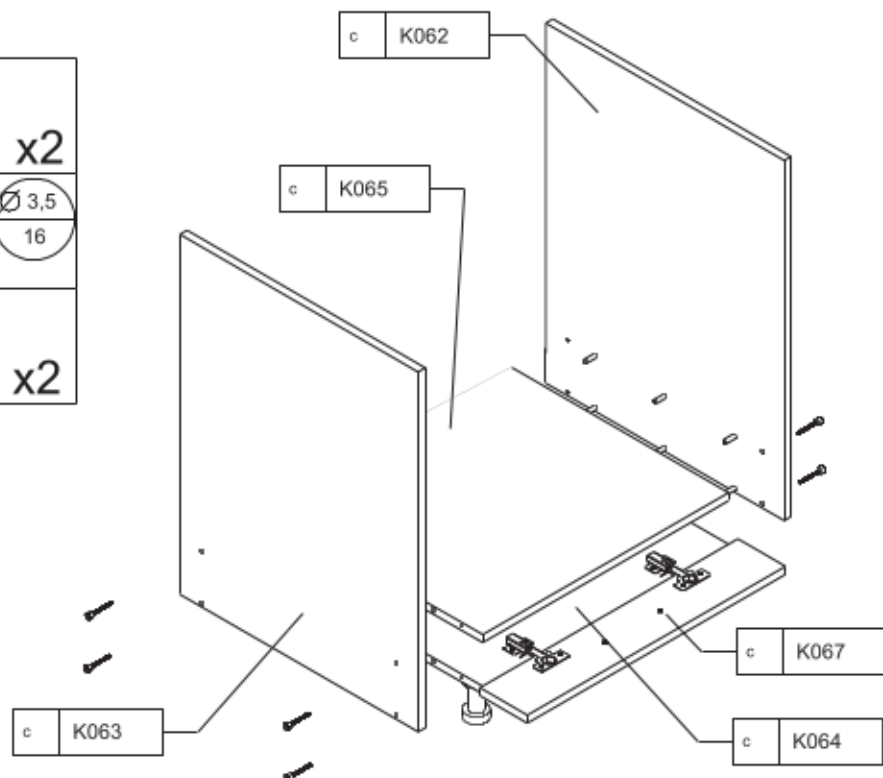
A	B	C
 x11	 x19	 x4
D	E	F
 x2	 x2	 x1
G	H	J
 x5	 x2	 x12
K	L	M
 x24	 x4	 x2
N		
 x40		



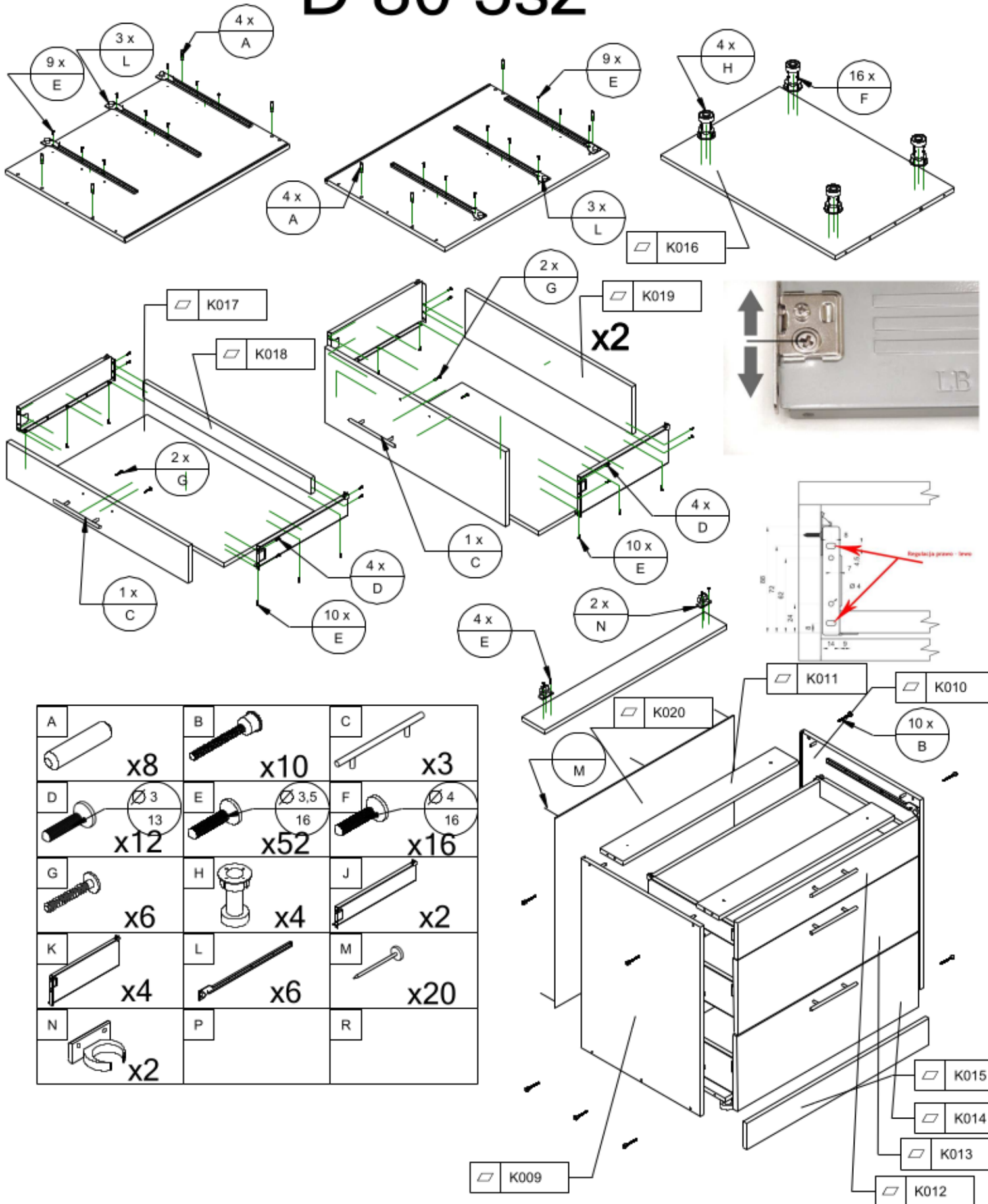
D 60 ku



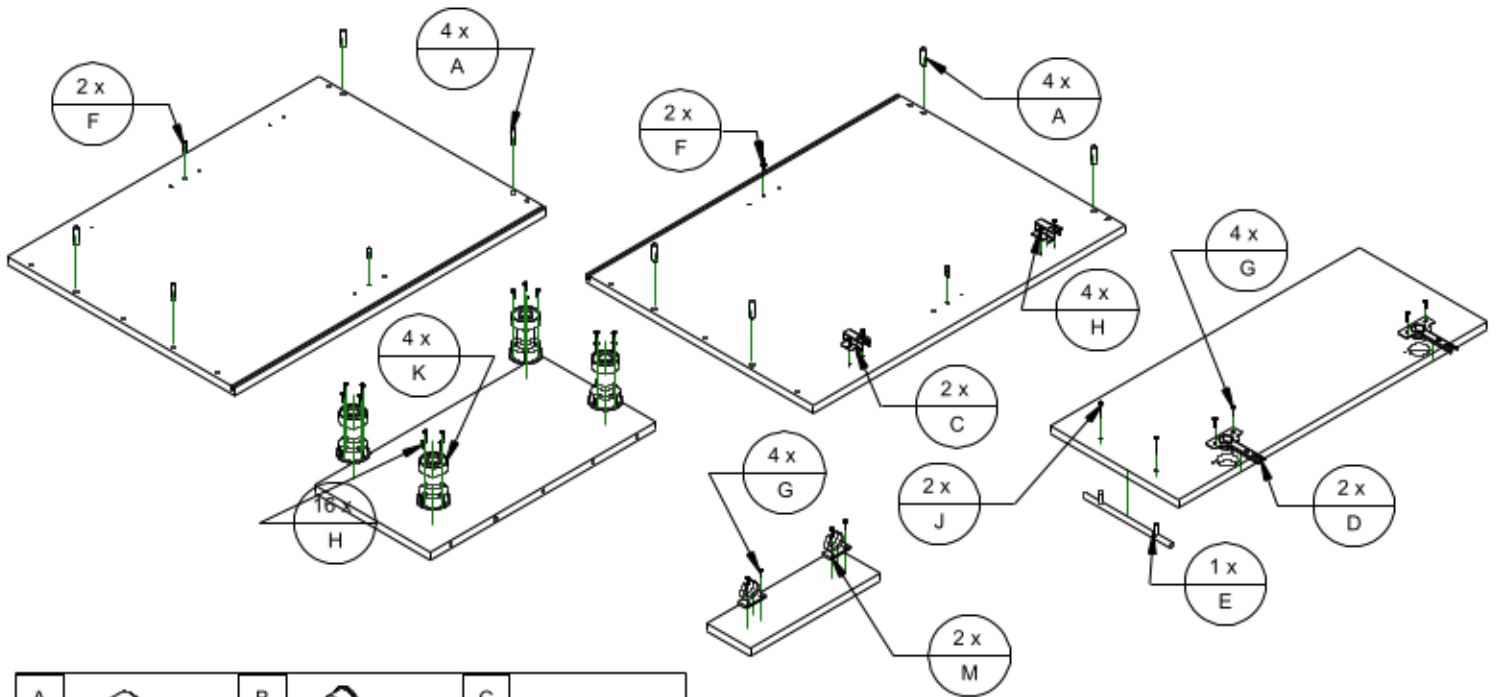
A		x14	B		x10
D		x2	E		x4
G		x20	H		x1
C		x2	F		x4
J		x2			



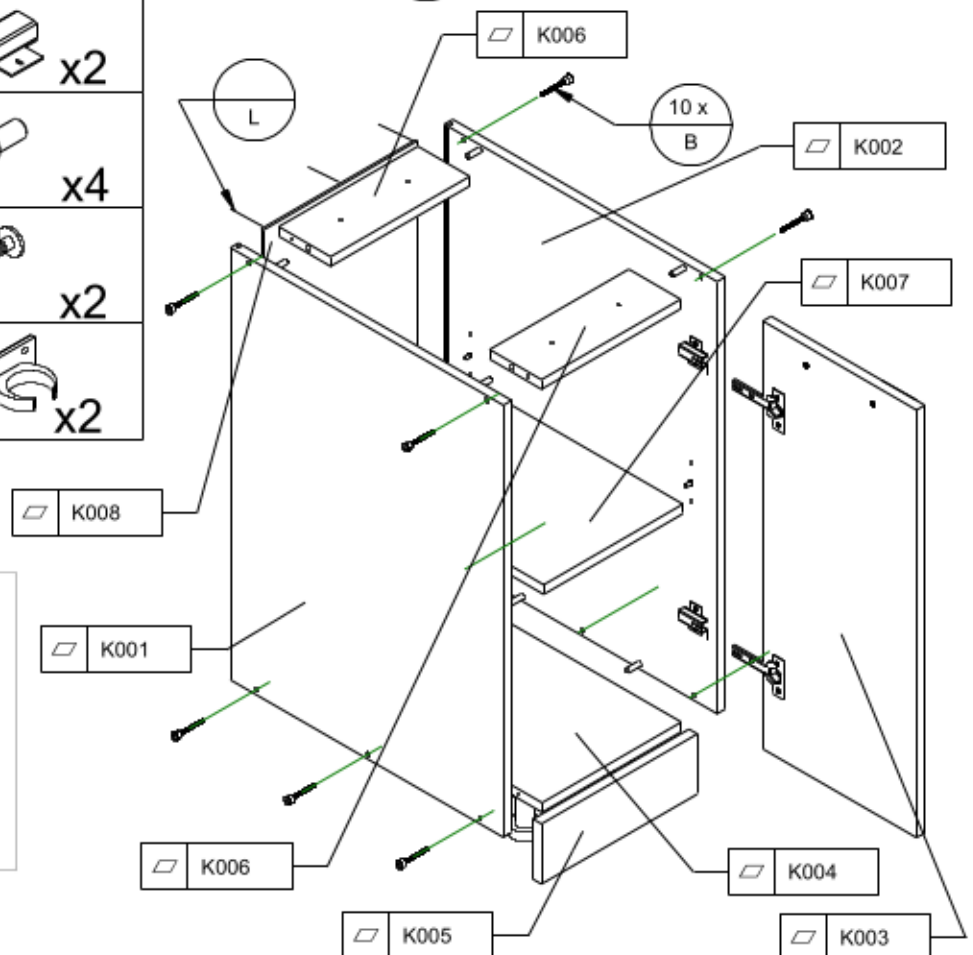
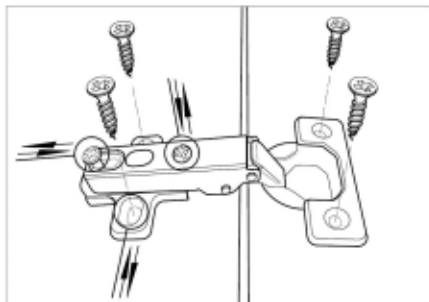
D 80 3sz



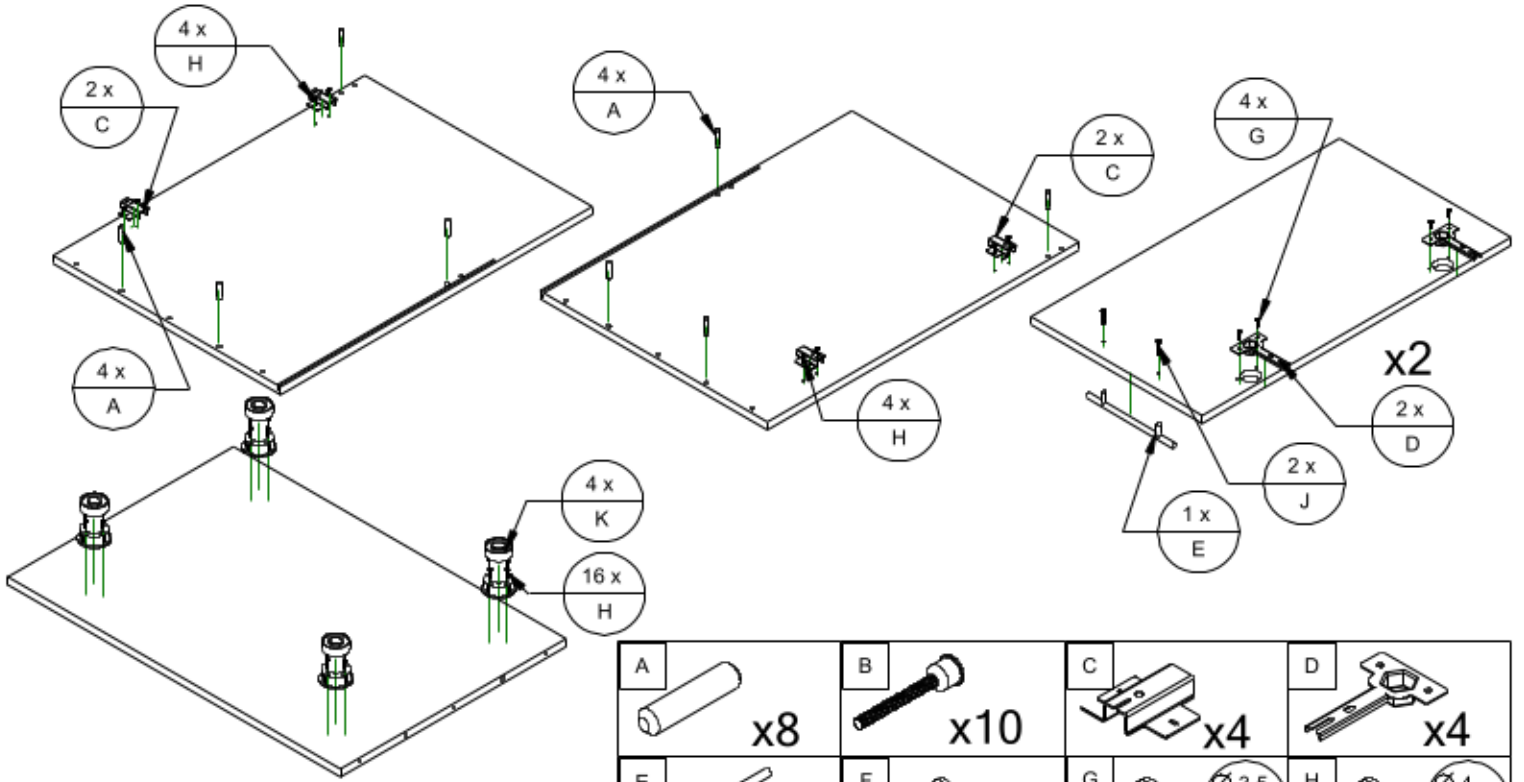
D 30/40/60 1F














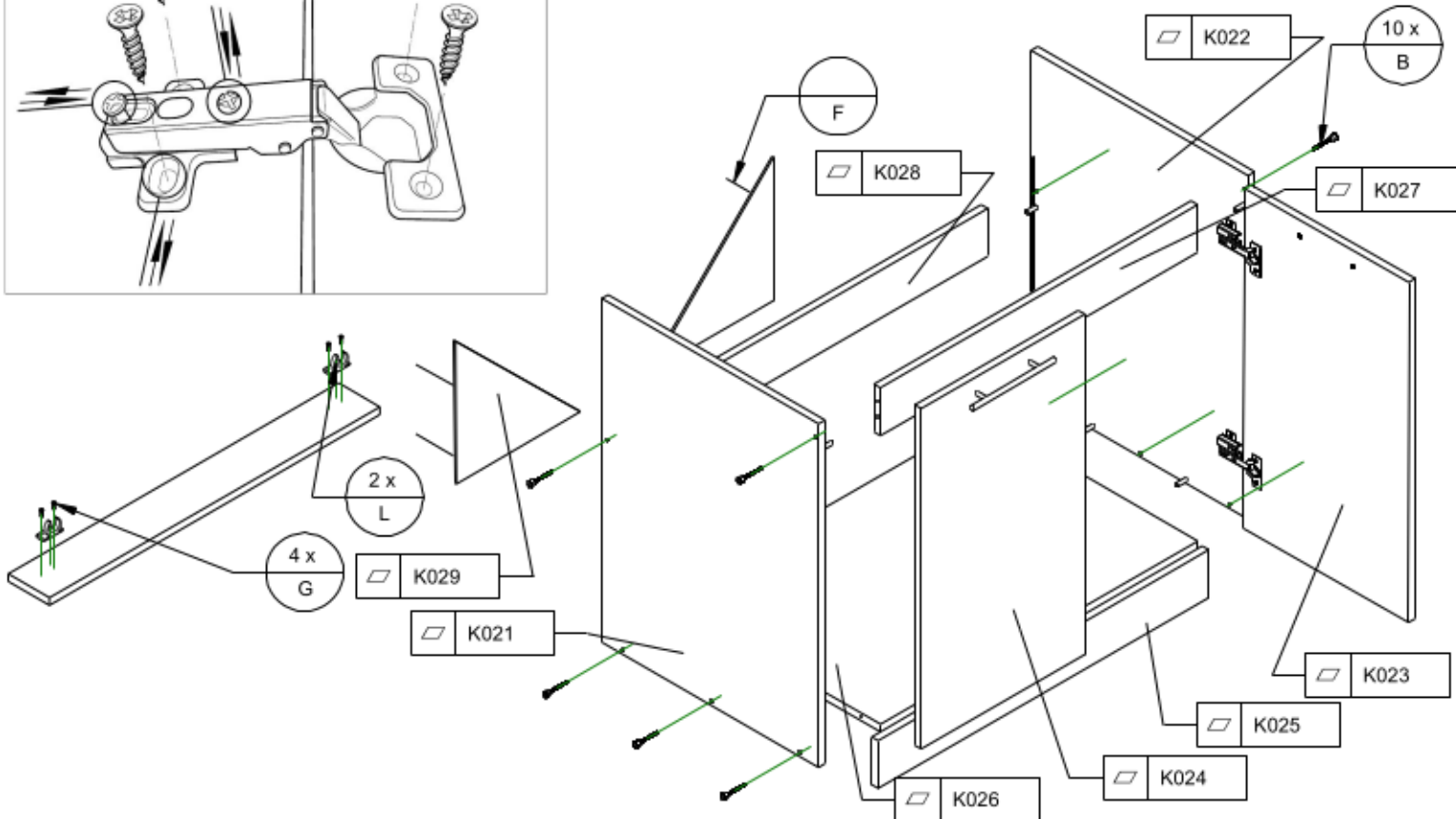
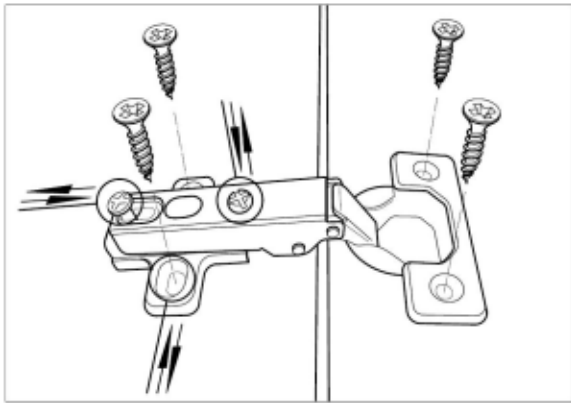
A		x8	B		x10	C		x2
D		x2	E		x1	F		x4
G		$\varnothing 3,5$ x8	H		$\varnothing 4$ x20	J		x2
K		x4	L		x20	M		x2



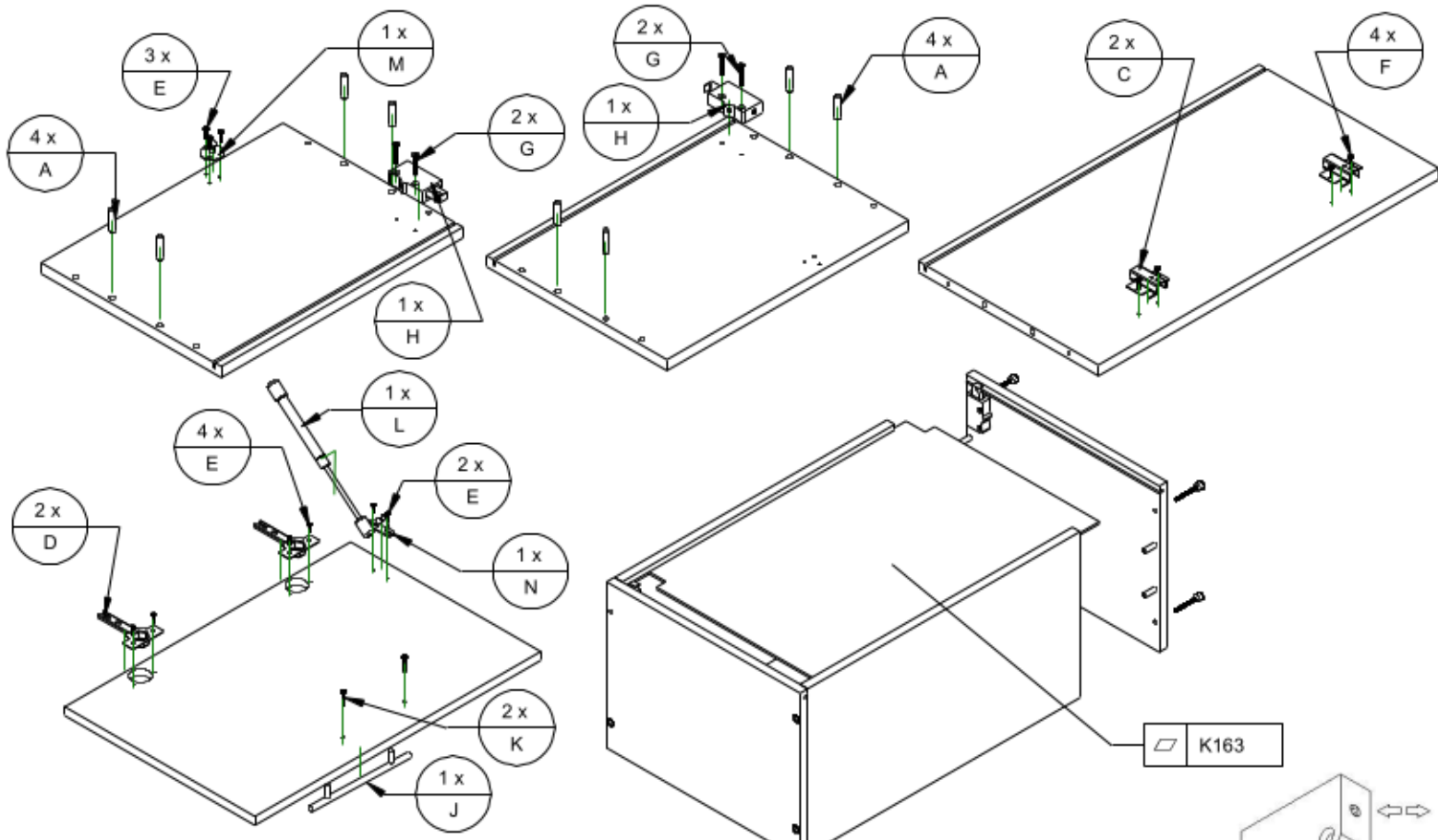
D 80zi






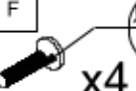
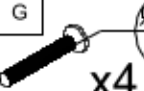

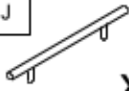






A	 x8	B	 x10	C	 x4	D	 x4
E	 x2	F	 x10	G	 $\varnothing 3,5$ 16 x12	H	 $\varnothing 4$ 16 x8
J	 x4	K	 x4	L	 x2	M	



G50/60 ok



A	B	C
 x8	 x8	 x2
D	E	F
 x2	 x9 $\varnothing 3.5$ 16	 x4 $\varnothing 4$ 16
G	H	J
 x4 $\varnothing 4$ 30	 x2	 x1
K	L	M
 x2	 x1	 x1
N	P	R
 x1		

