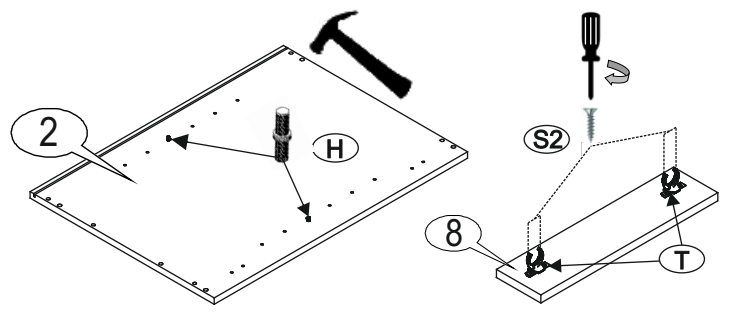
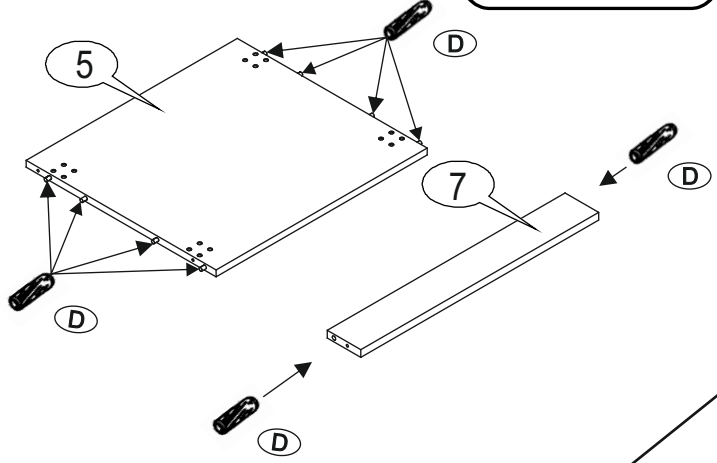
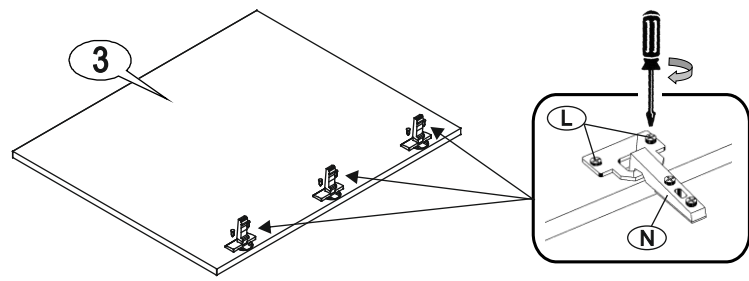
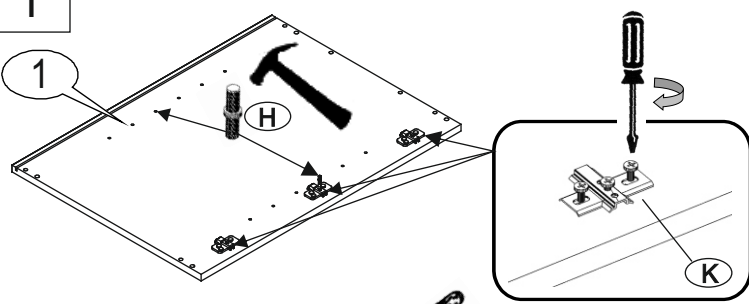
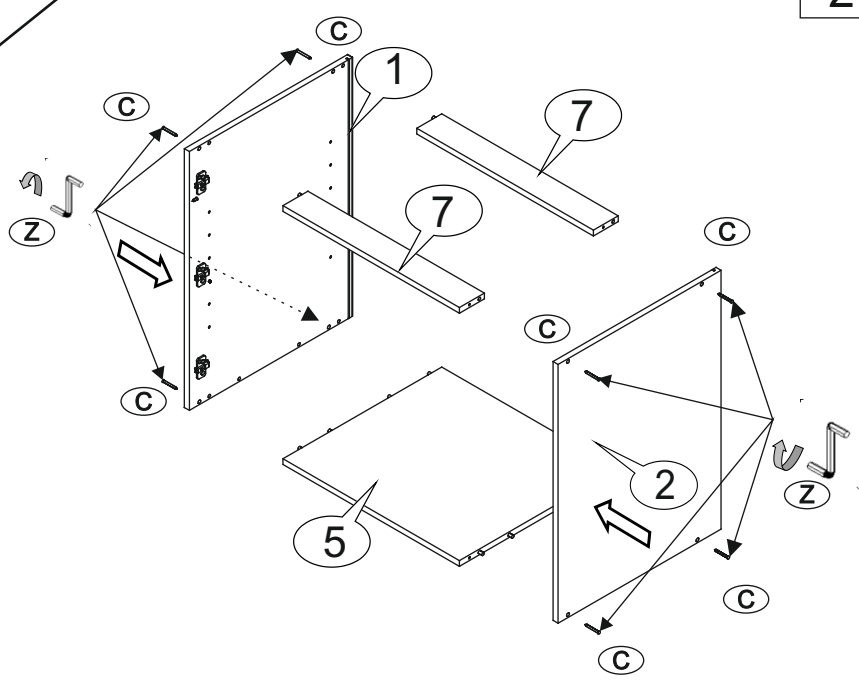
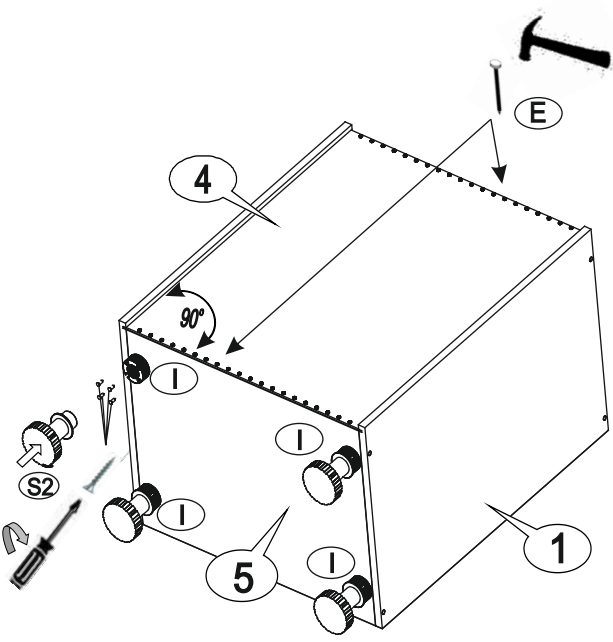


1



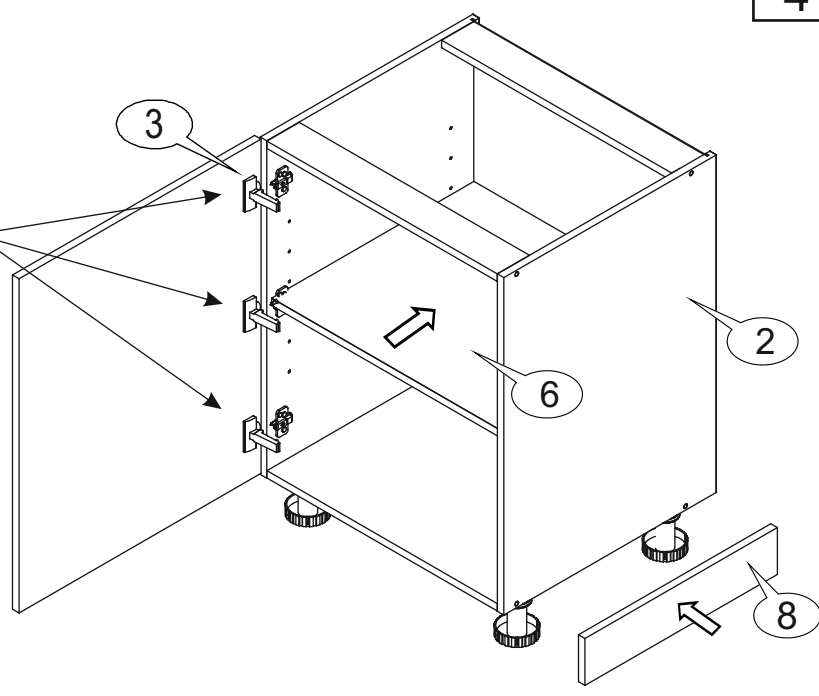
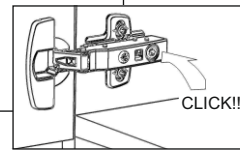
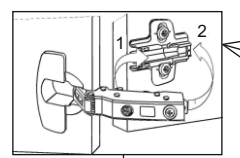
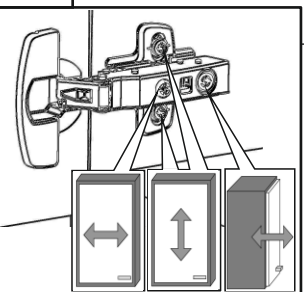
2

3

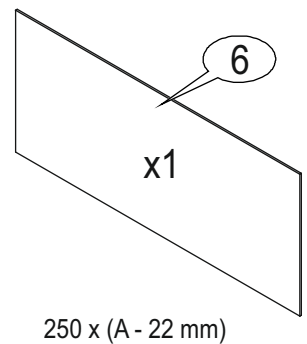
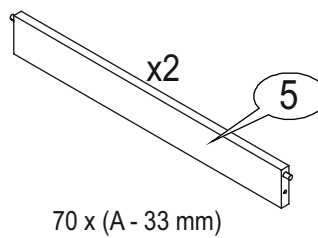
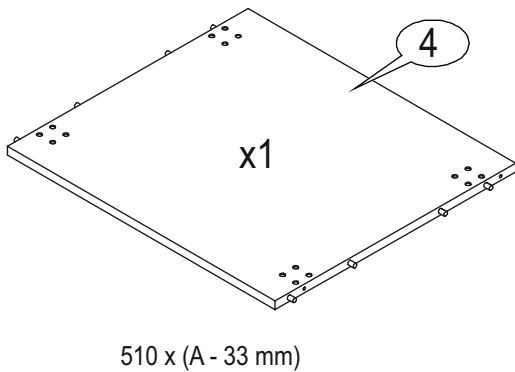
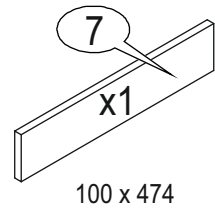
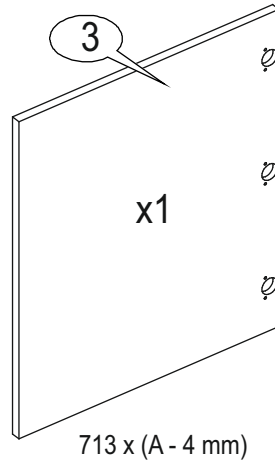
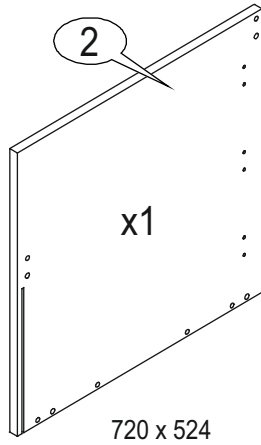
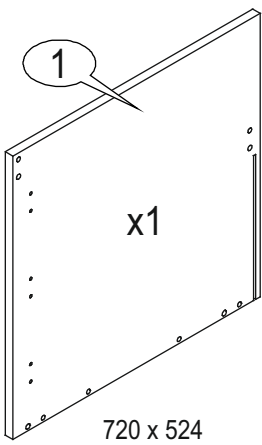
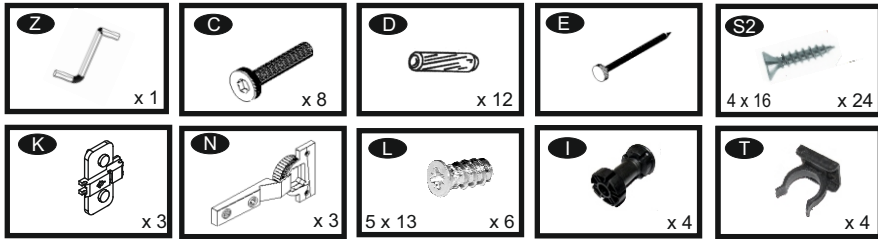
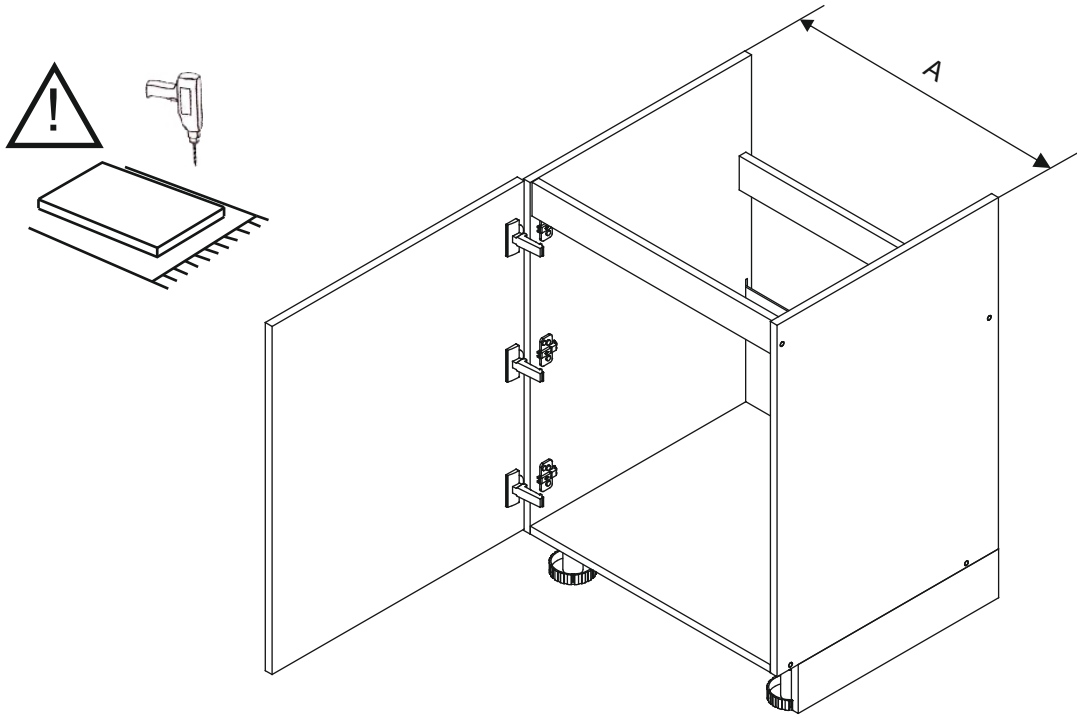


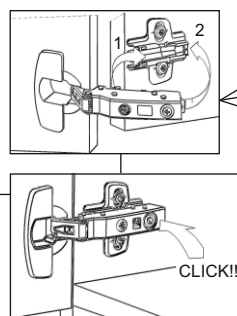
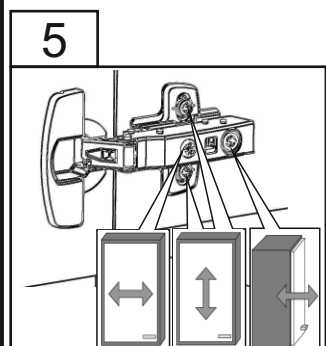
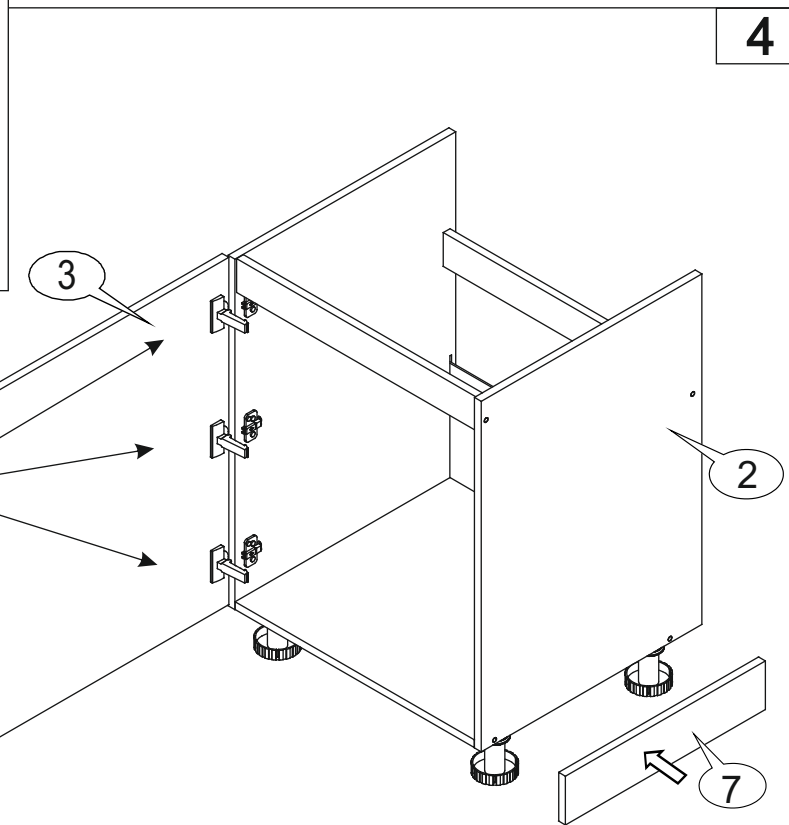
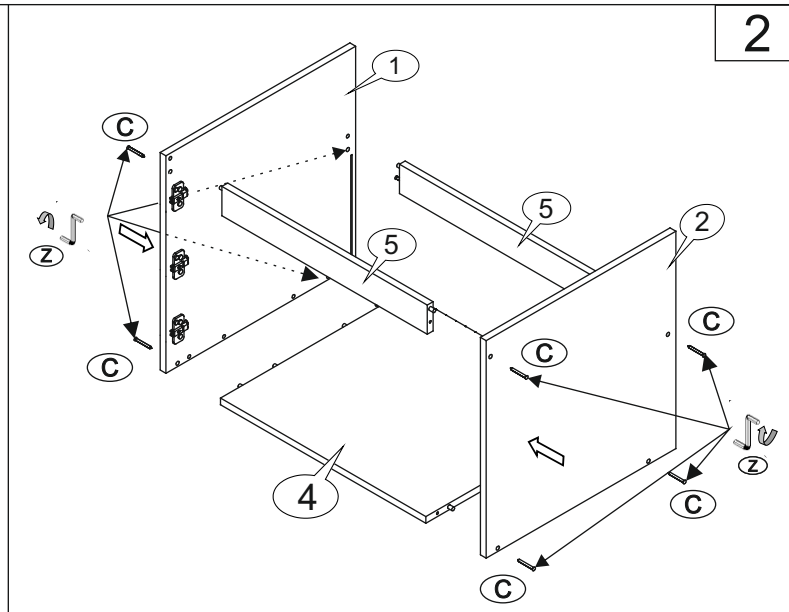
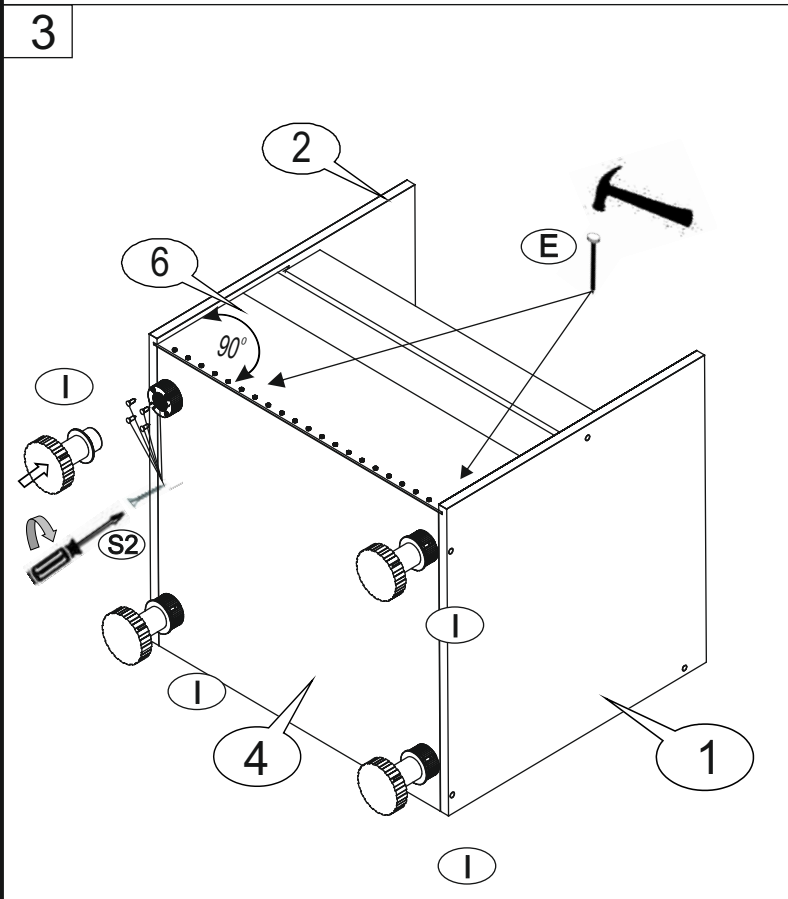
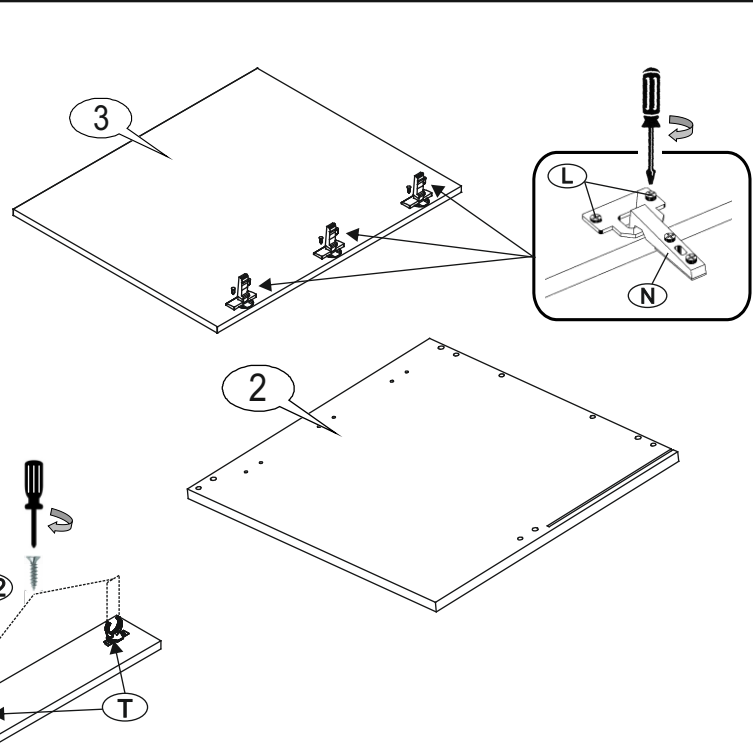
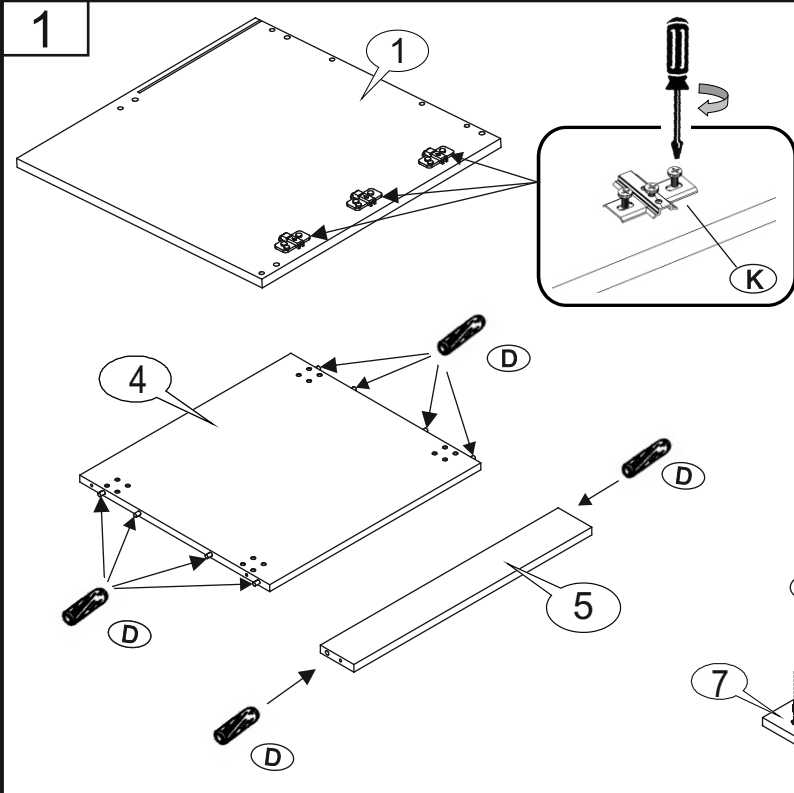
4

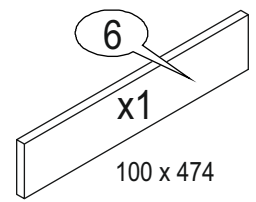
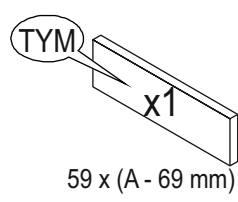
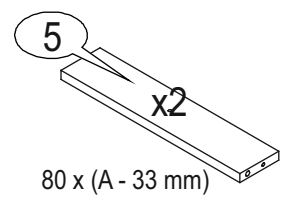
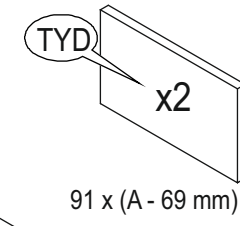
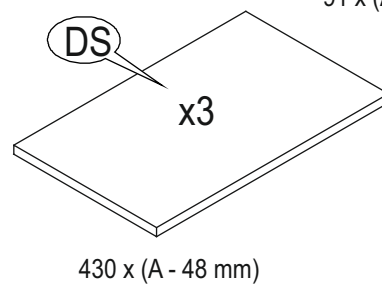
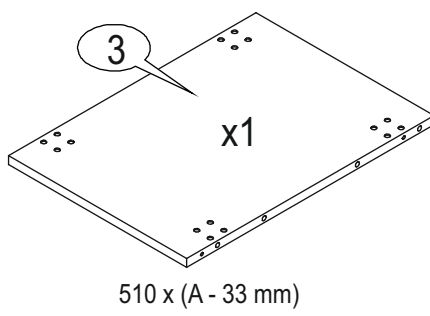
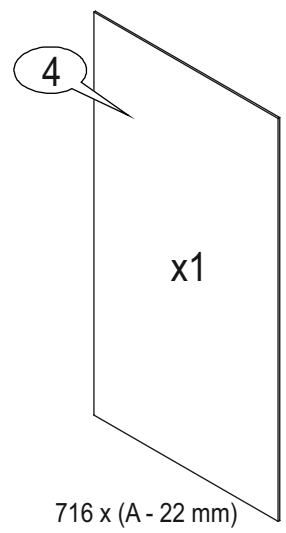
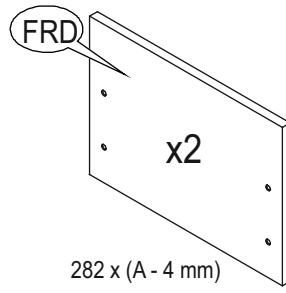
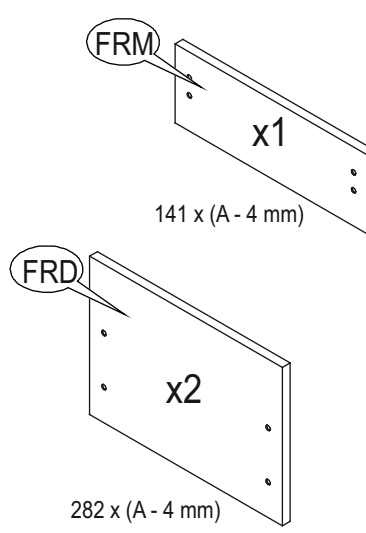
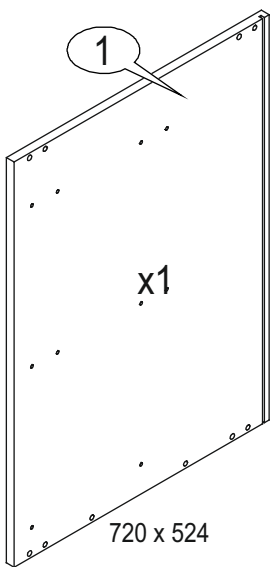
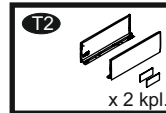
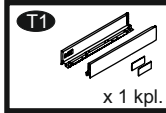
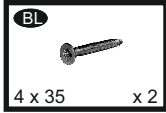
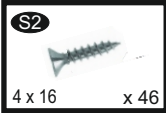
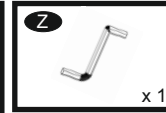
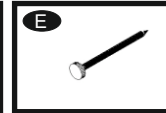
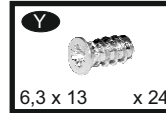
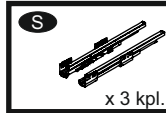
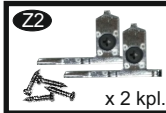
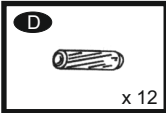
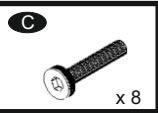
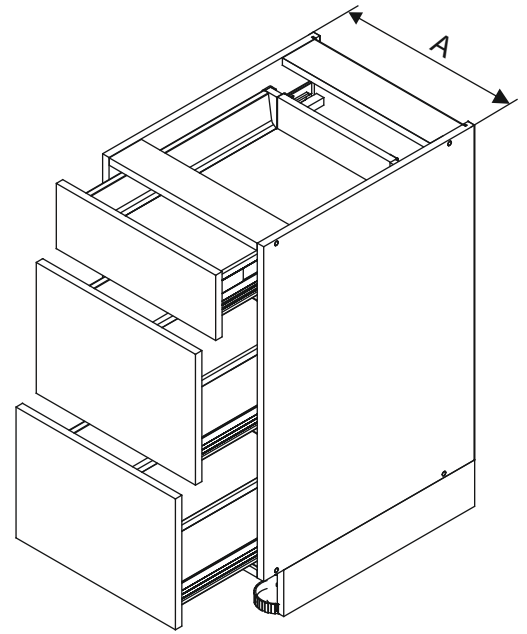
5



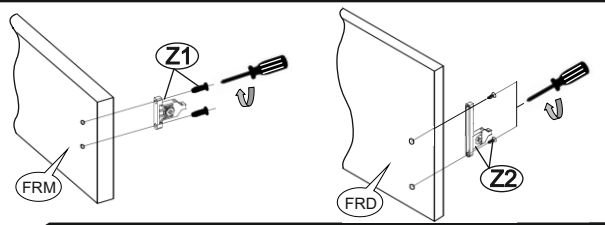
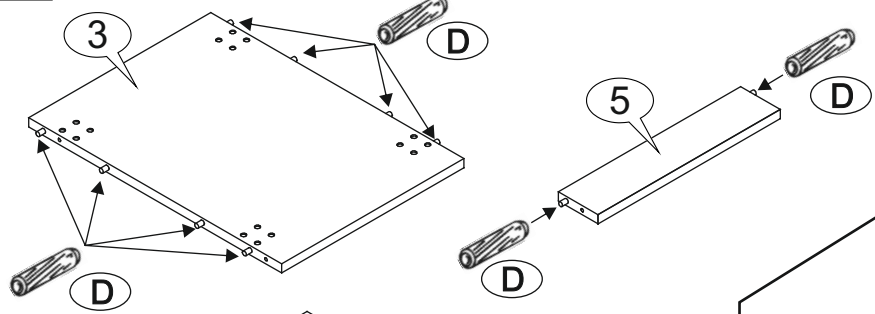
# D50ZL P/L, D60ZL P/L



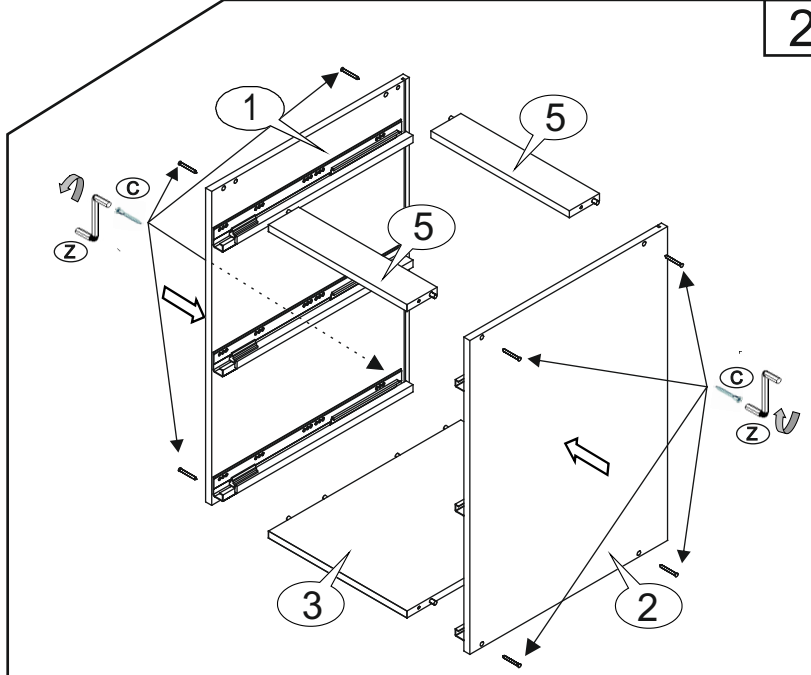
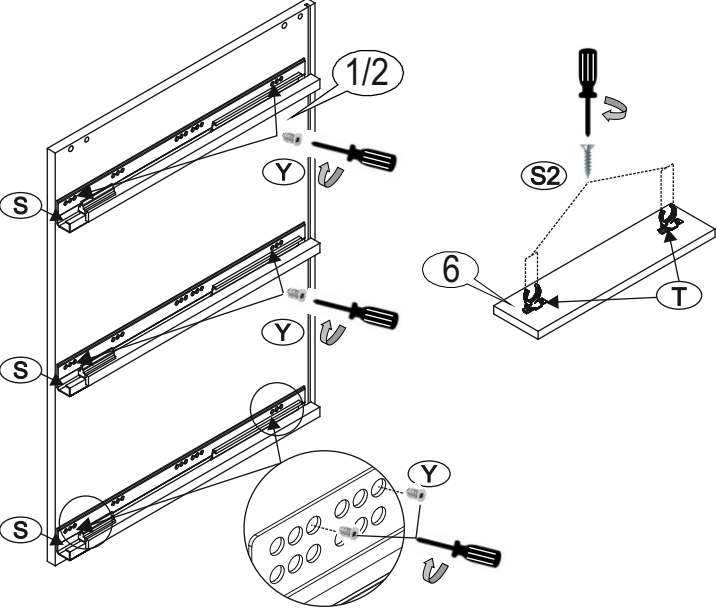




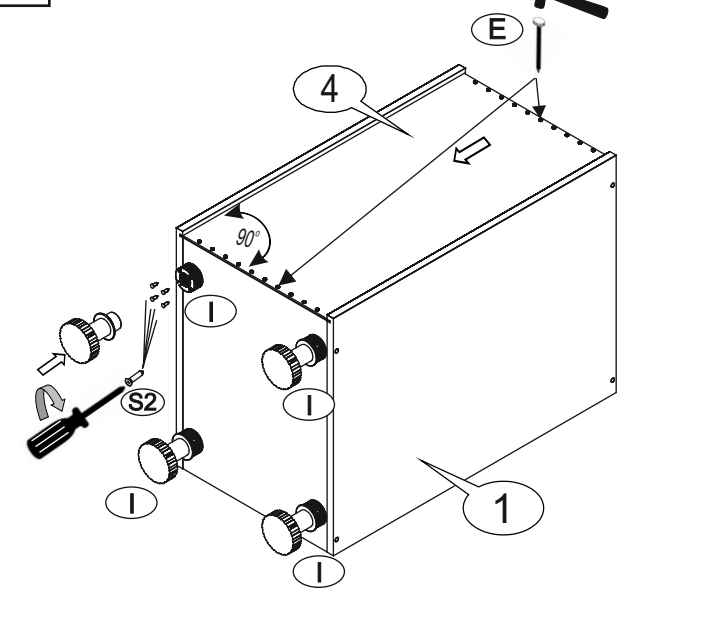
1



2



3



5

