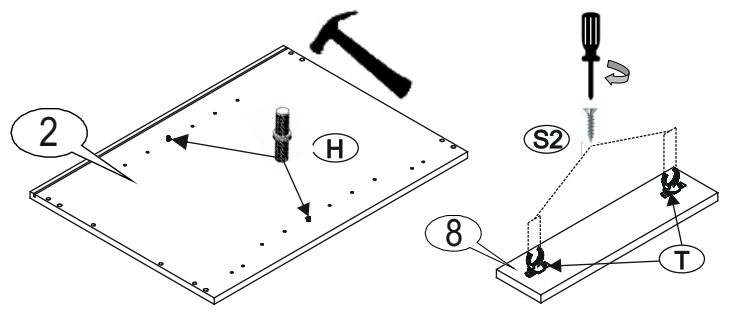
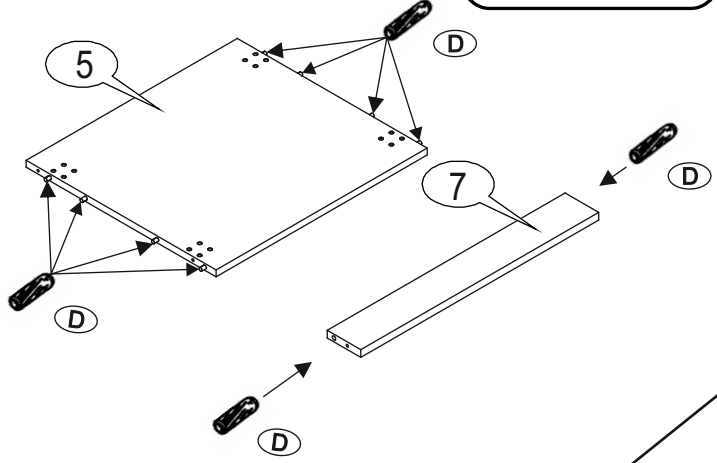
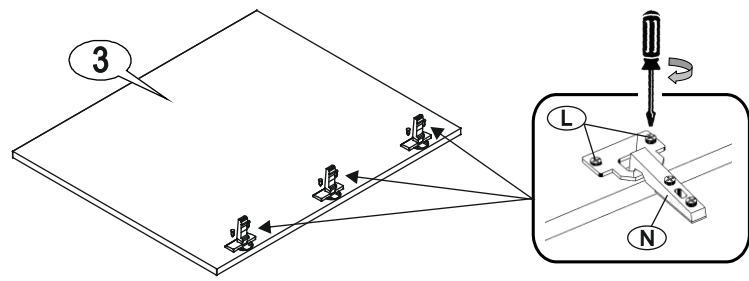
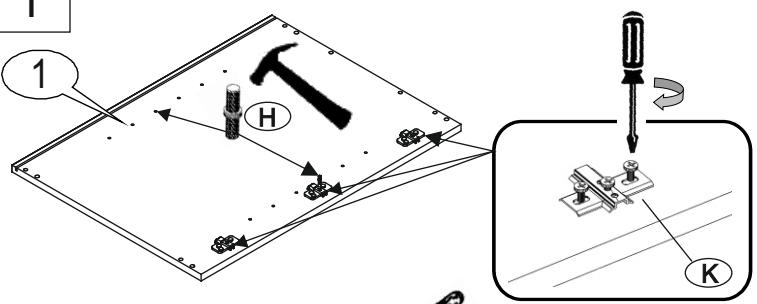
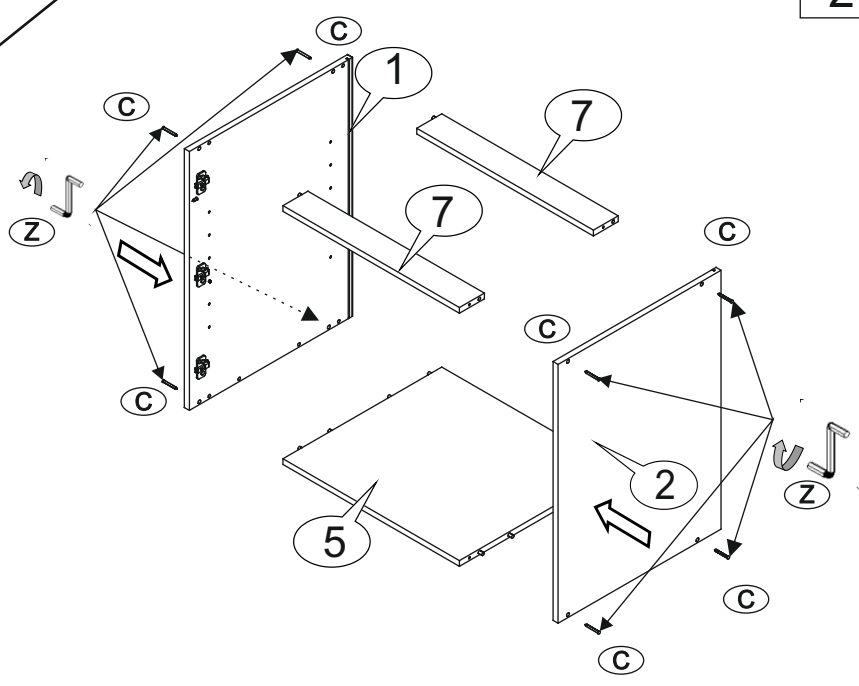


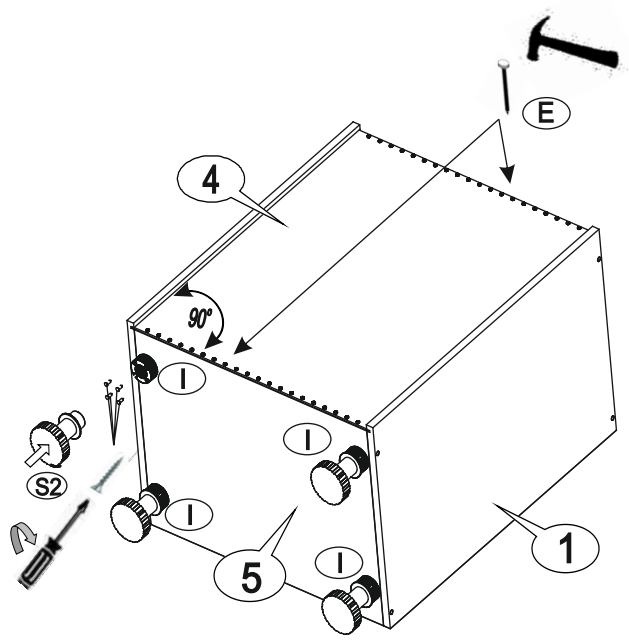
1



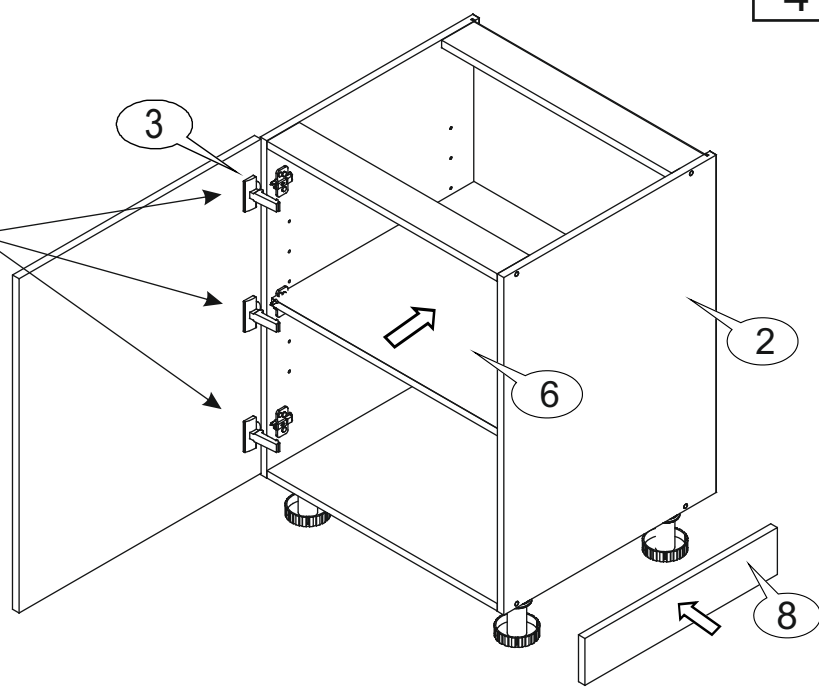
2



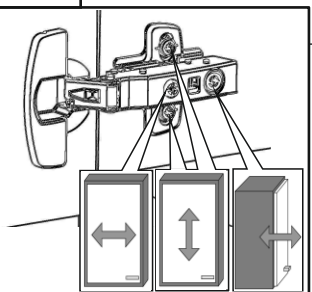
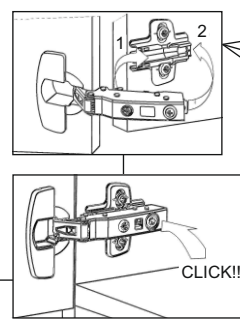
3

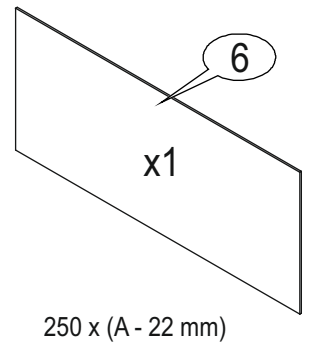
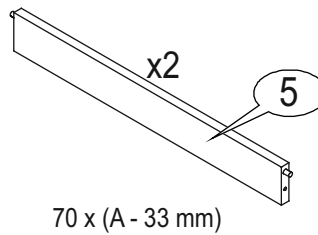
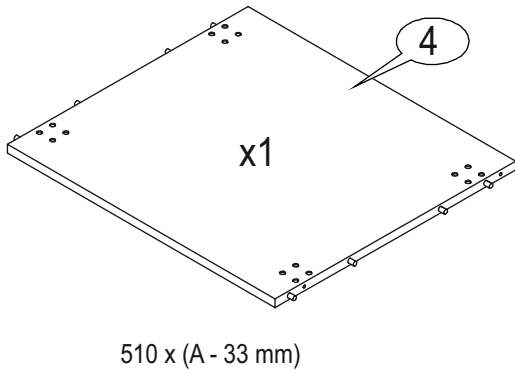
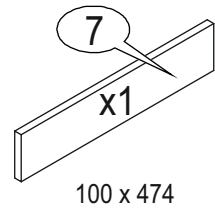
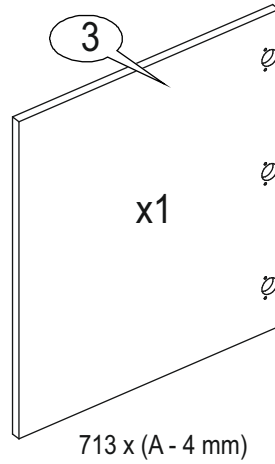
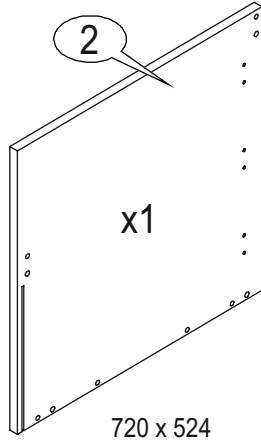
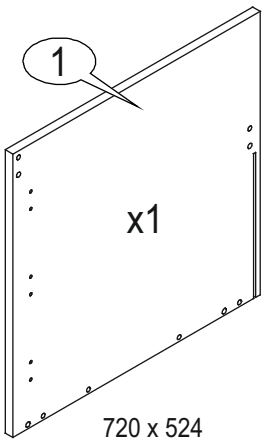
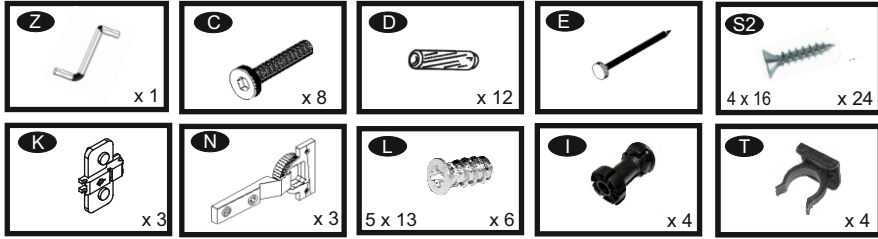
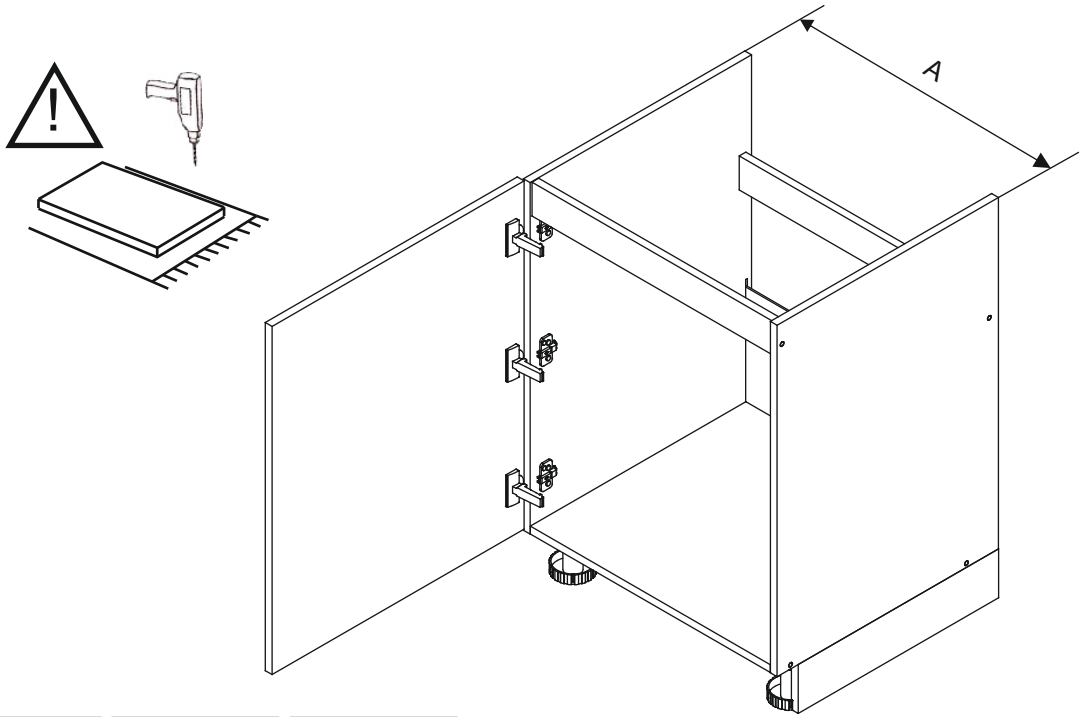


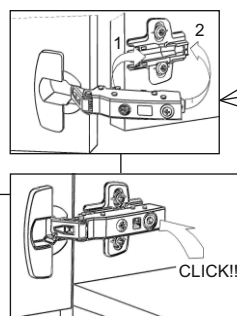
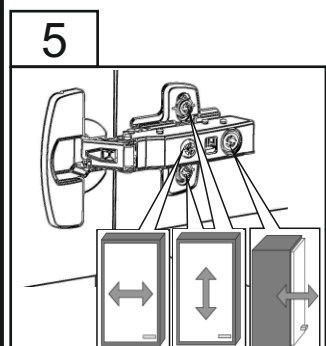
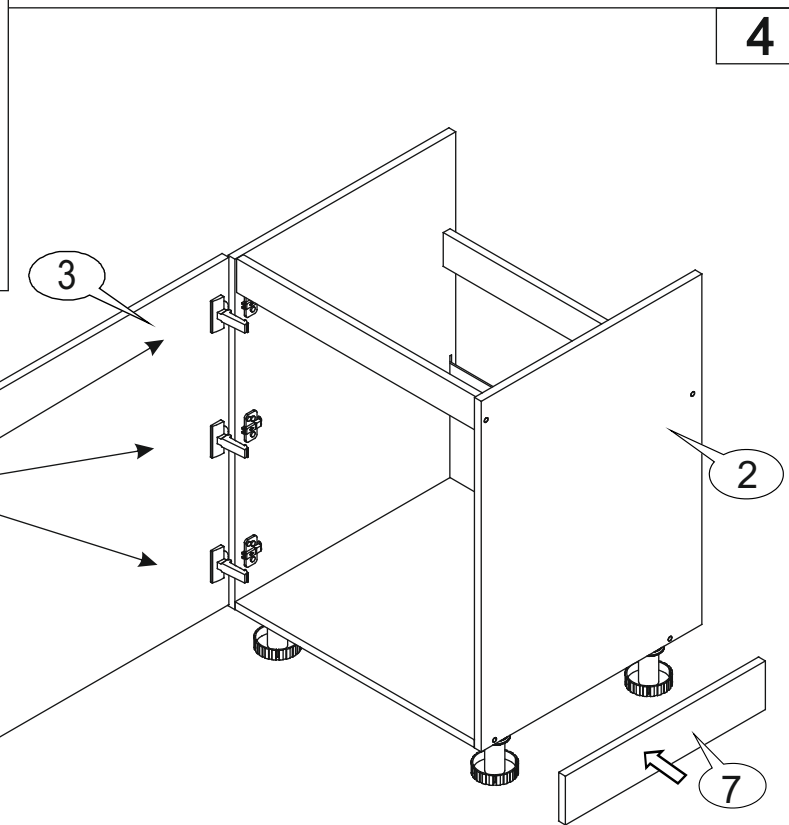
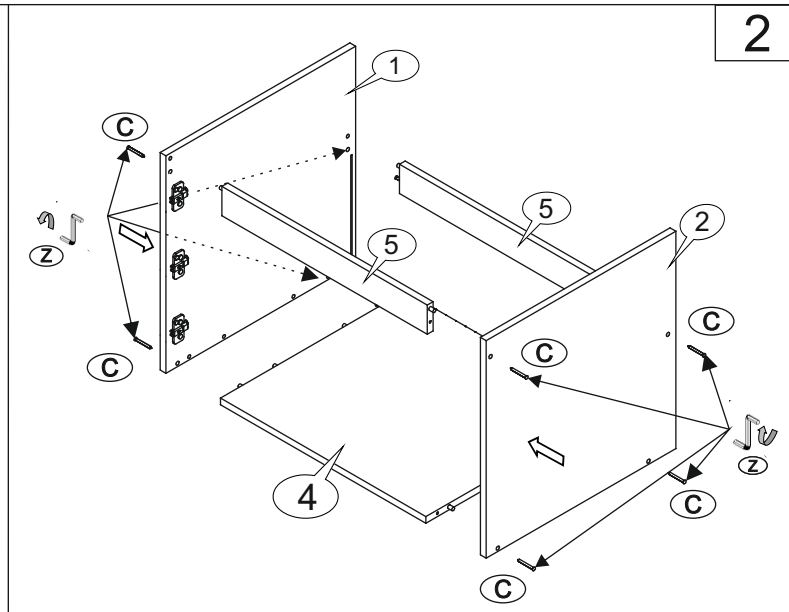
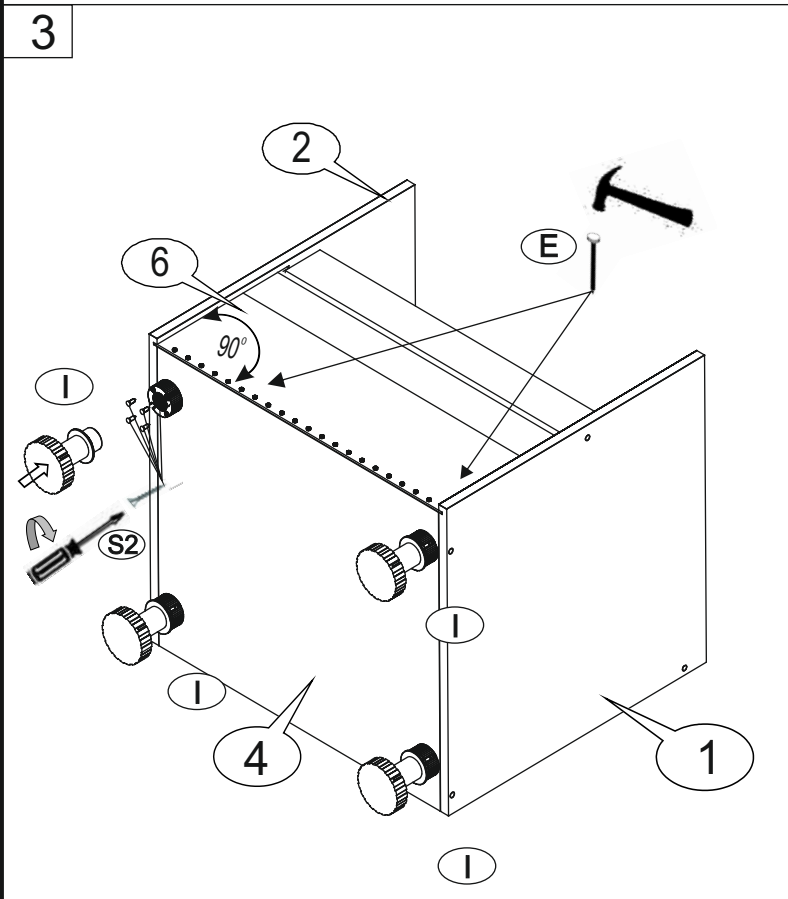
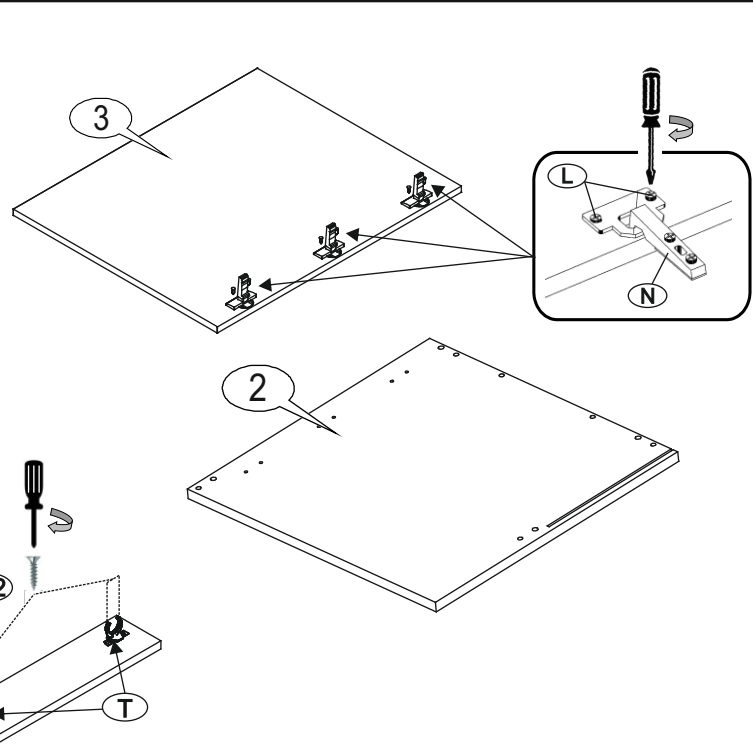
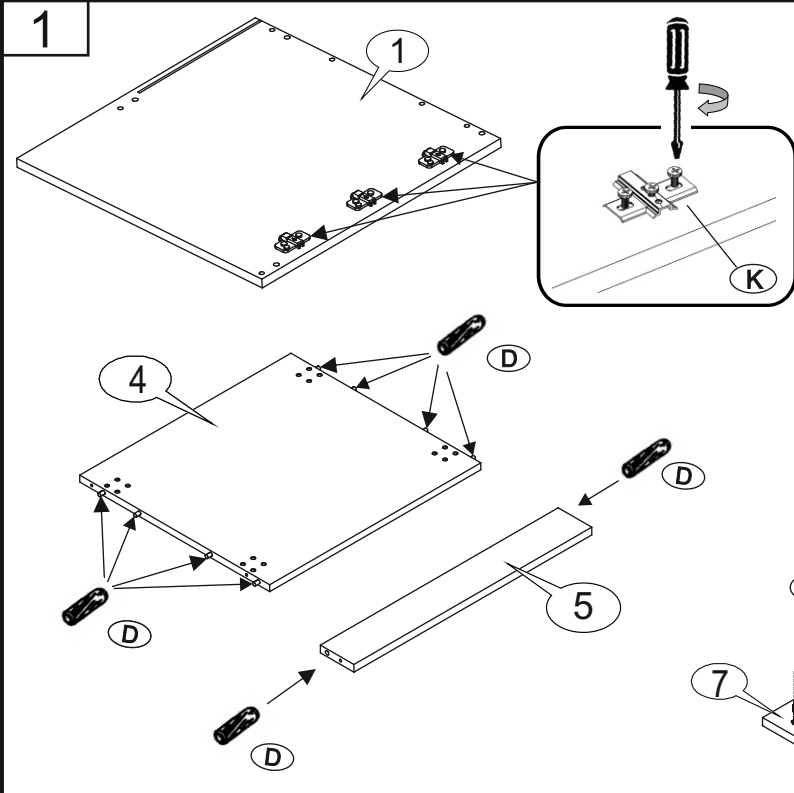
4

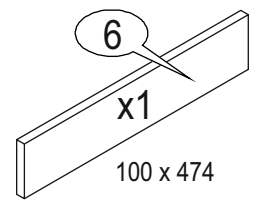
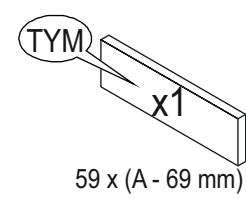
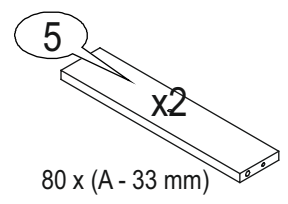
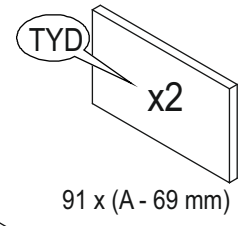
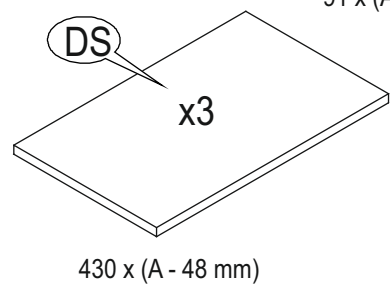
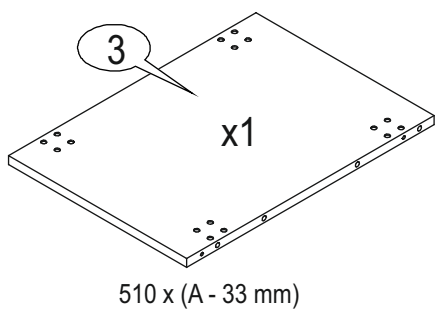
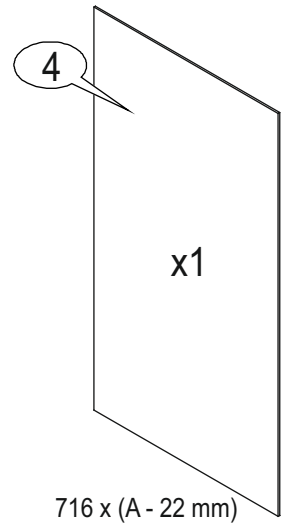
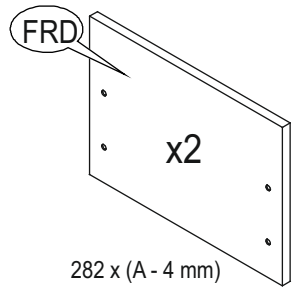
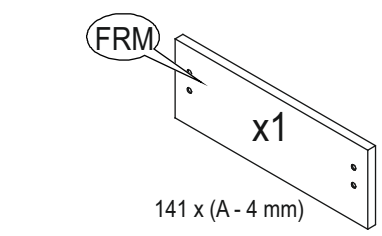
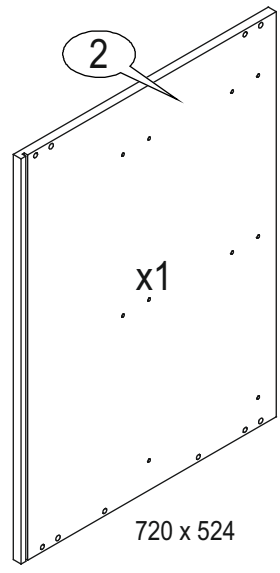
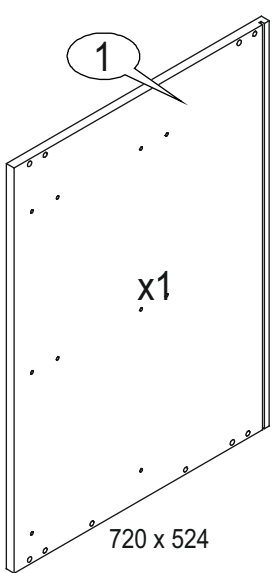
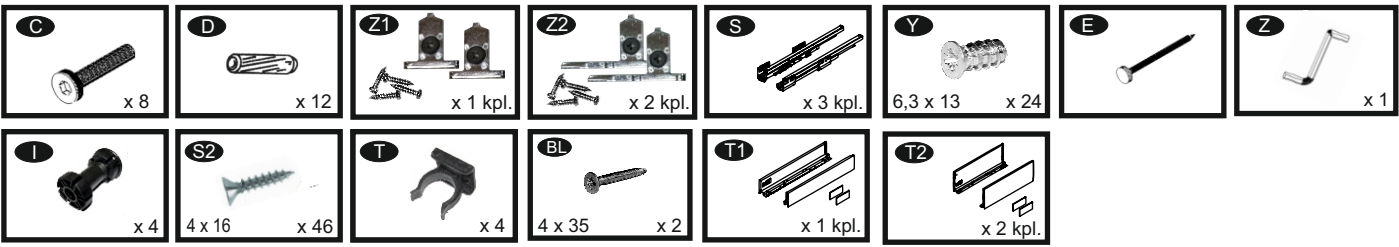
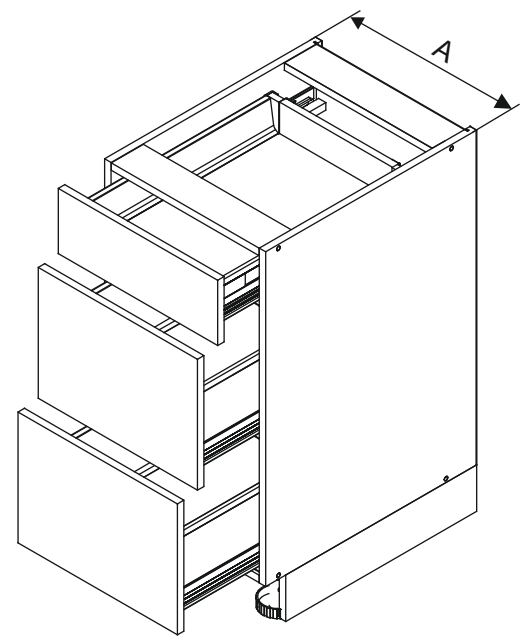


5

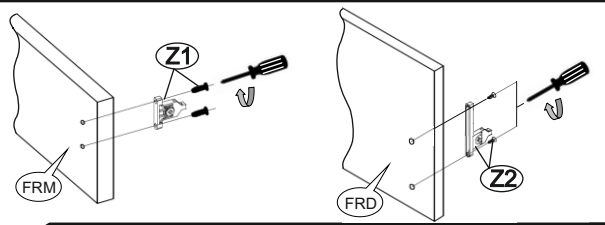
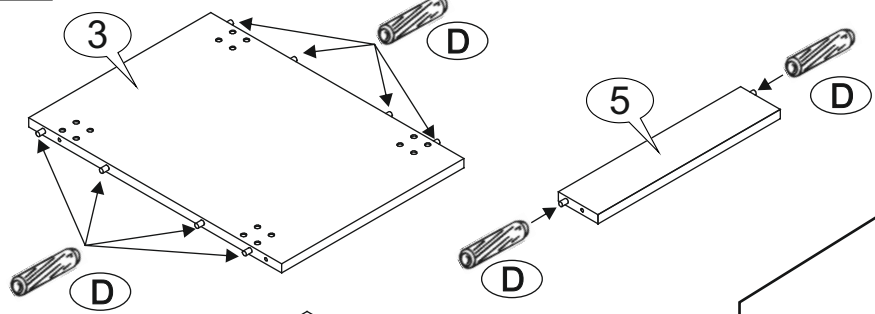




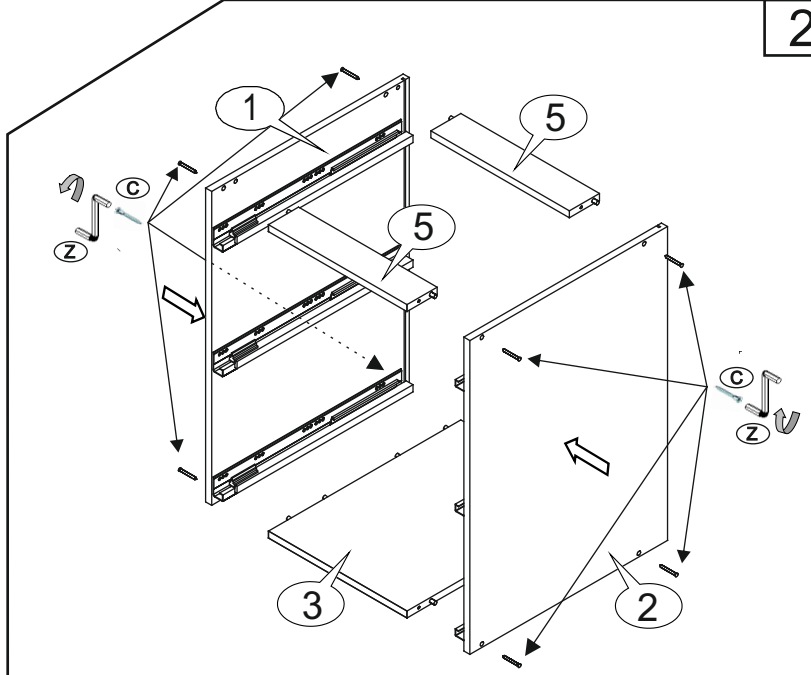
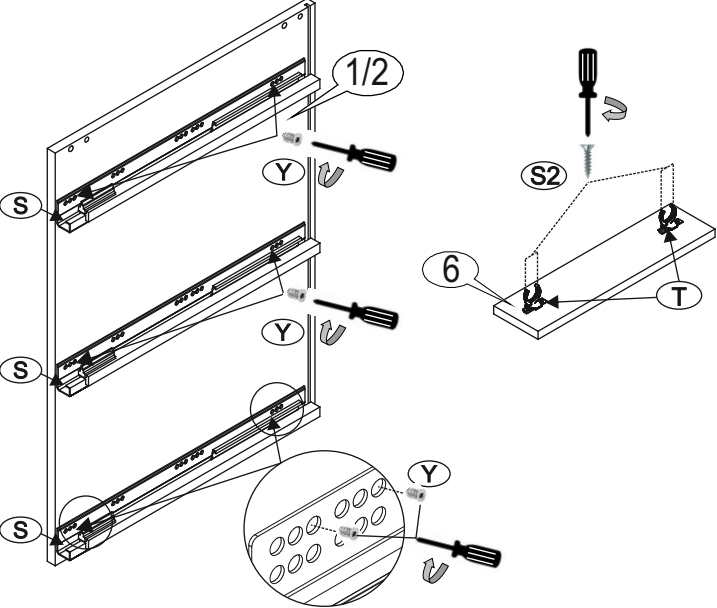




1

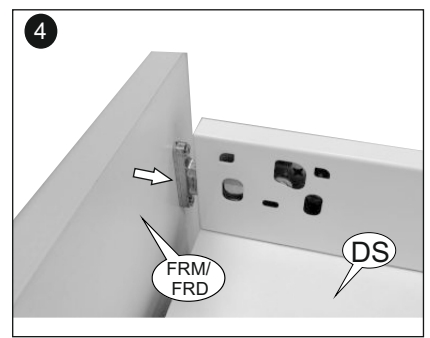
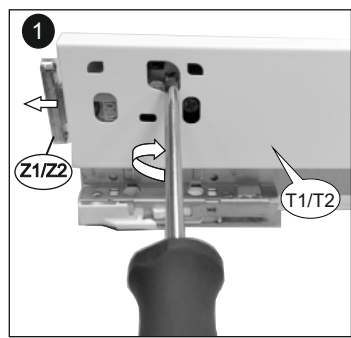
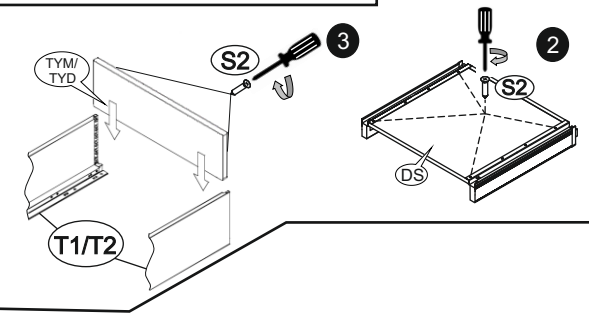
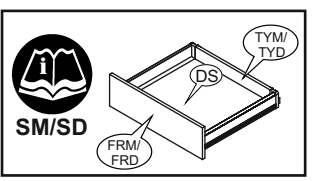
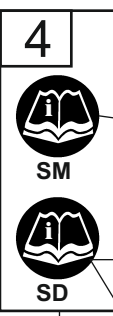
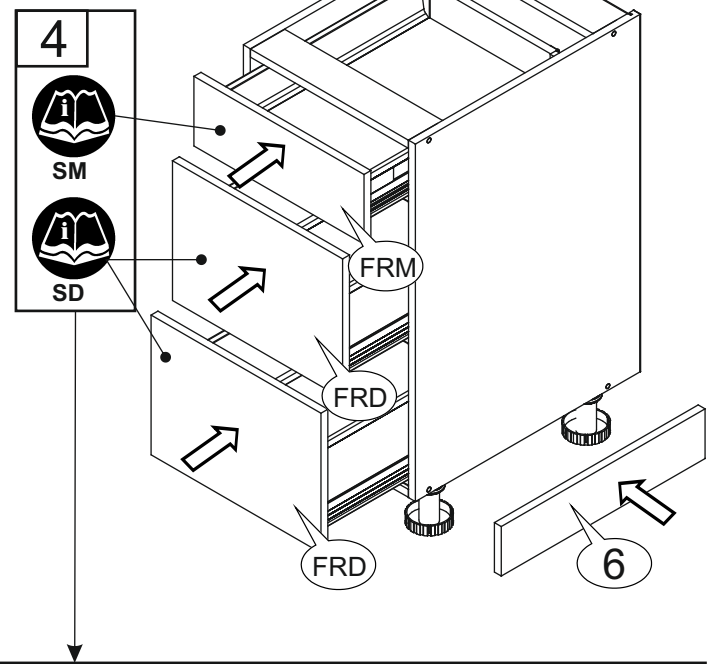
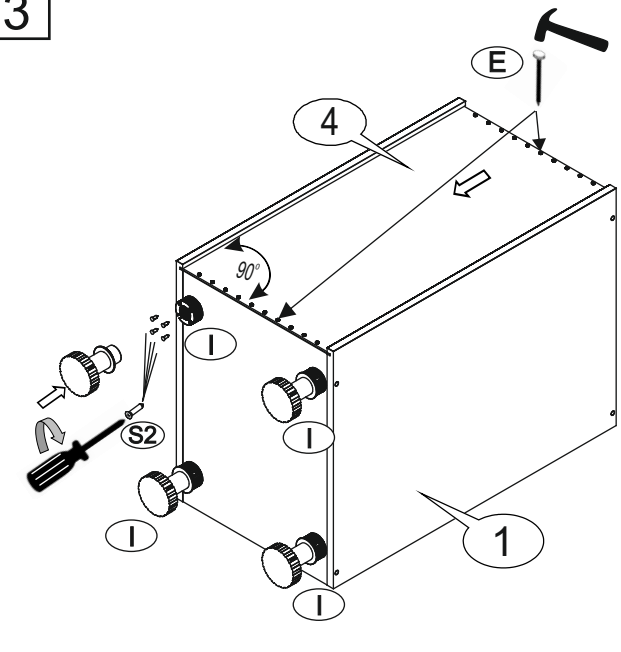


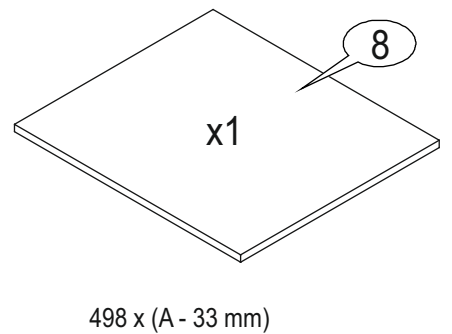
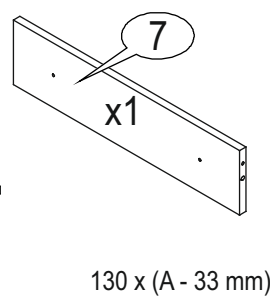
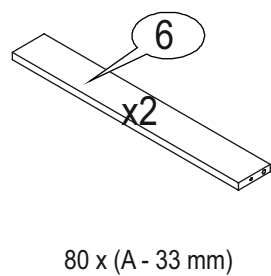
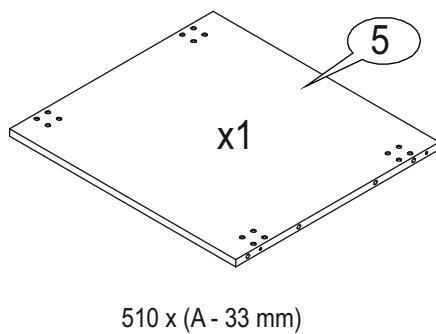
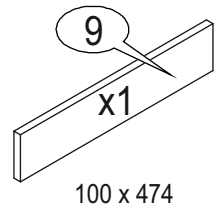
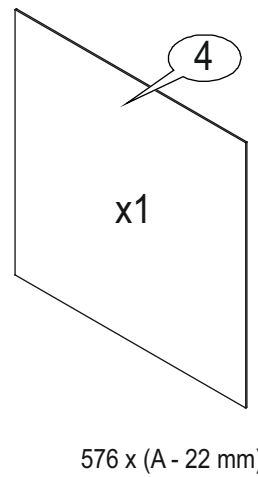
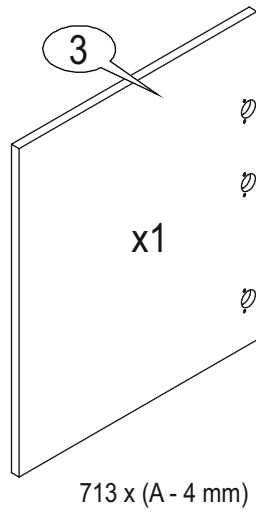
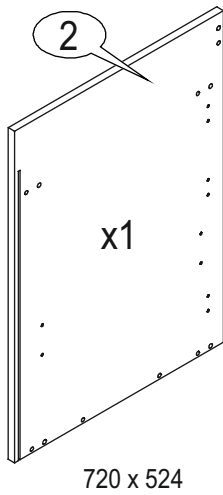
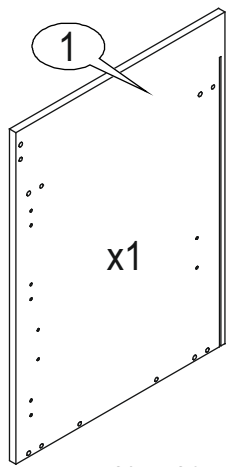
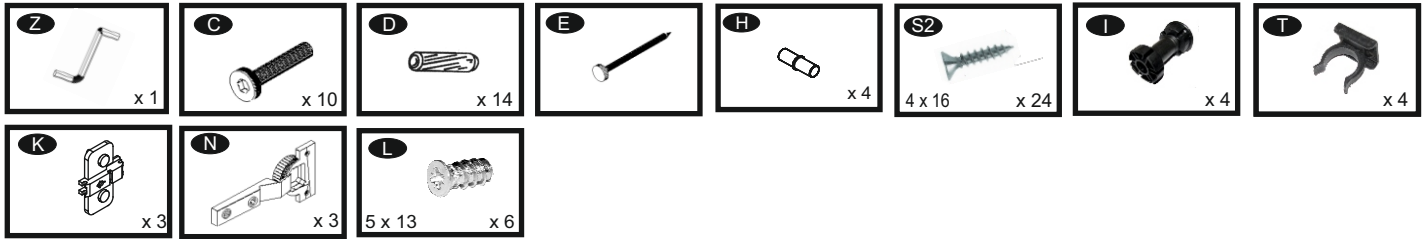
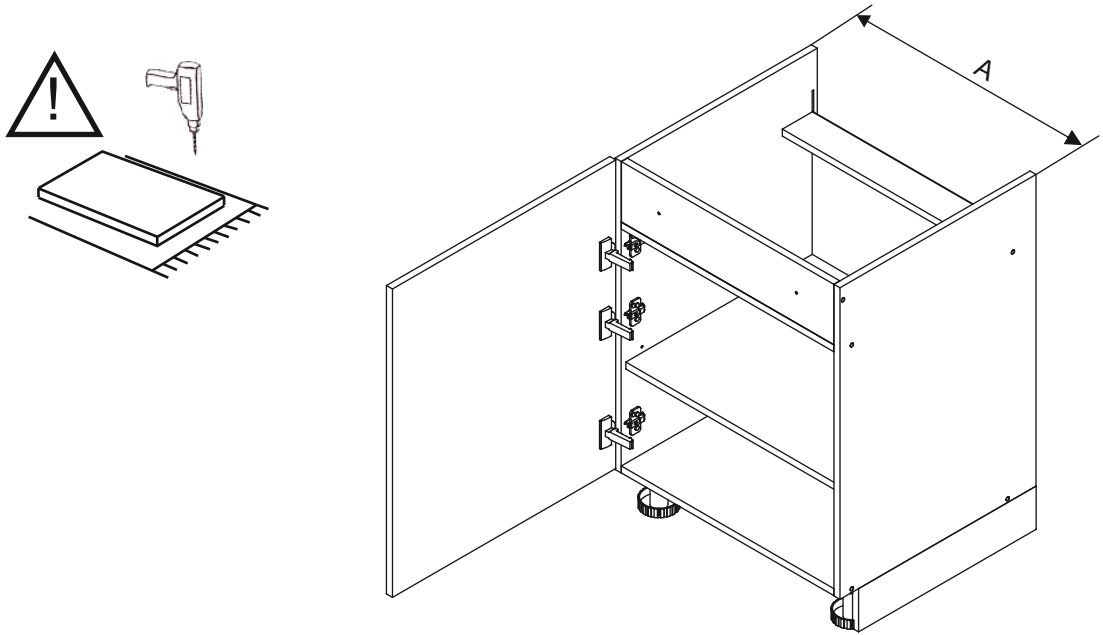
2

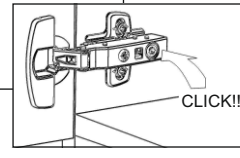
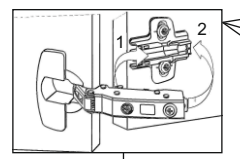
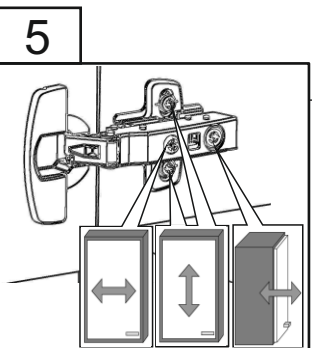
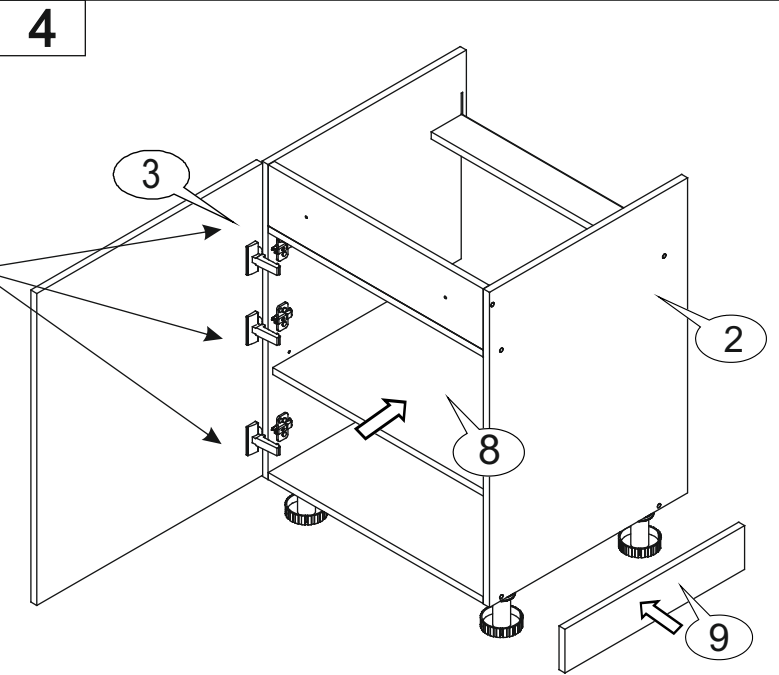
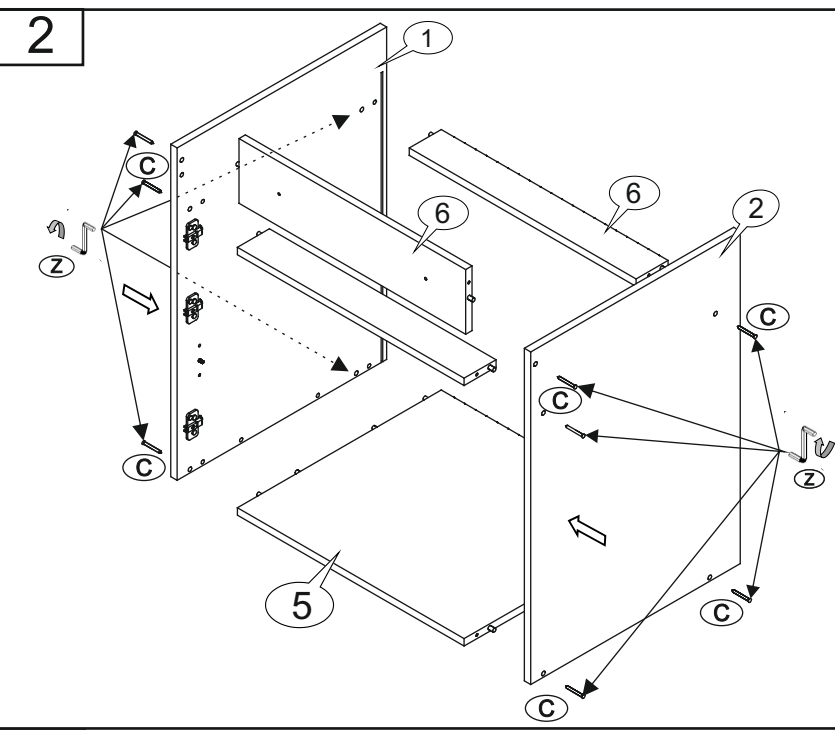
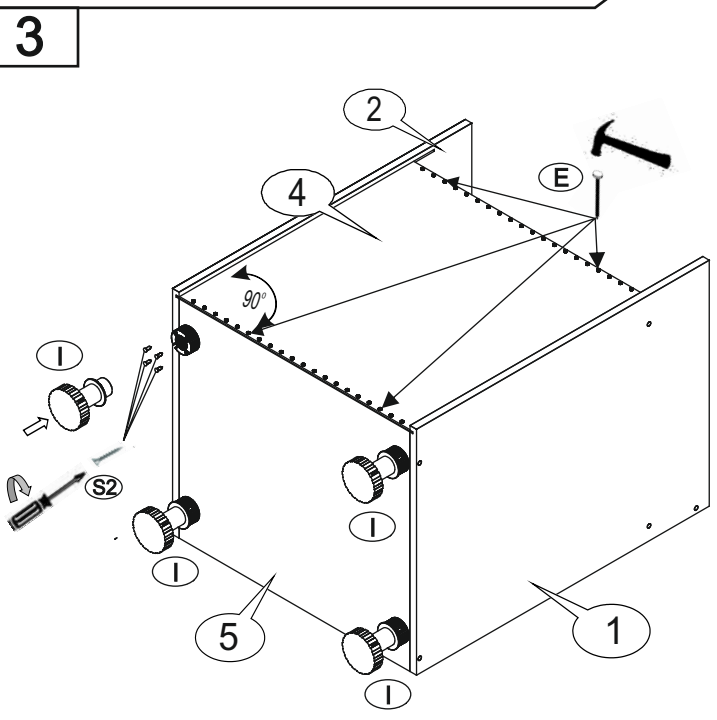
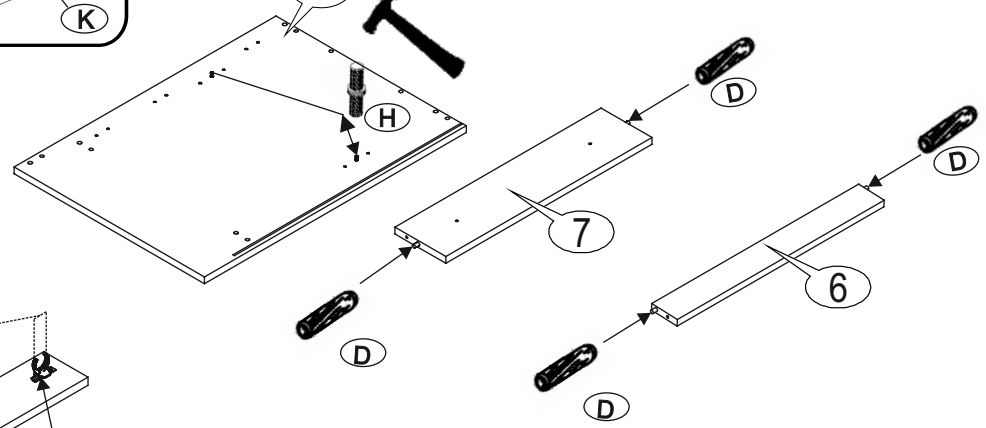
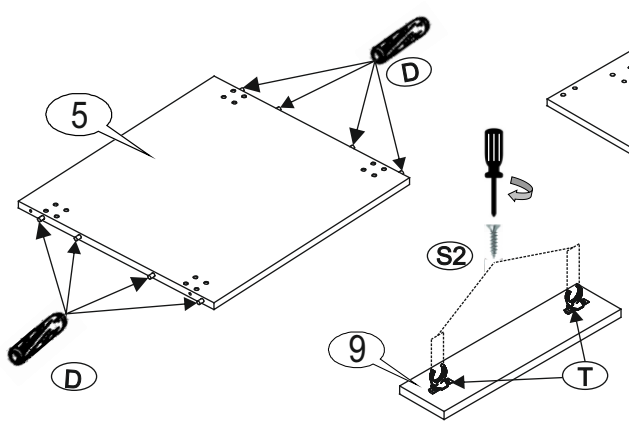
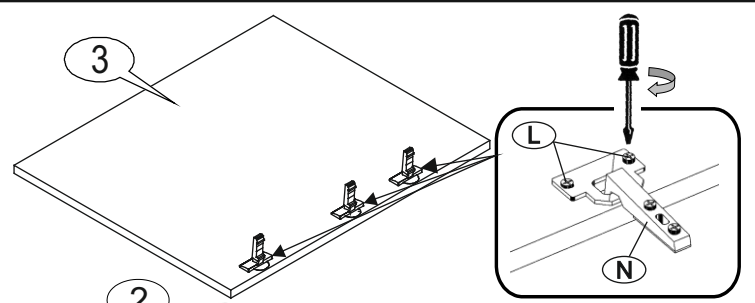
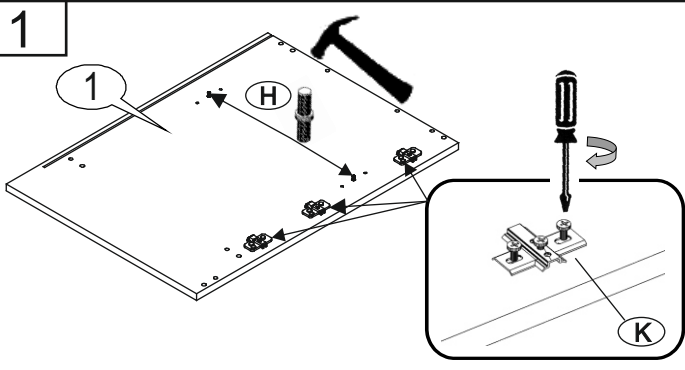


5

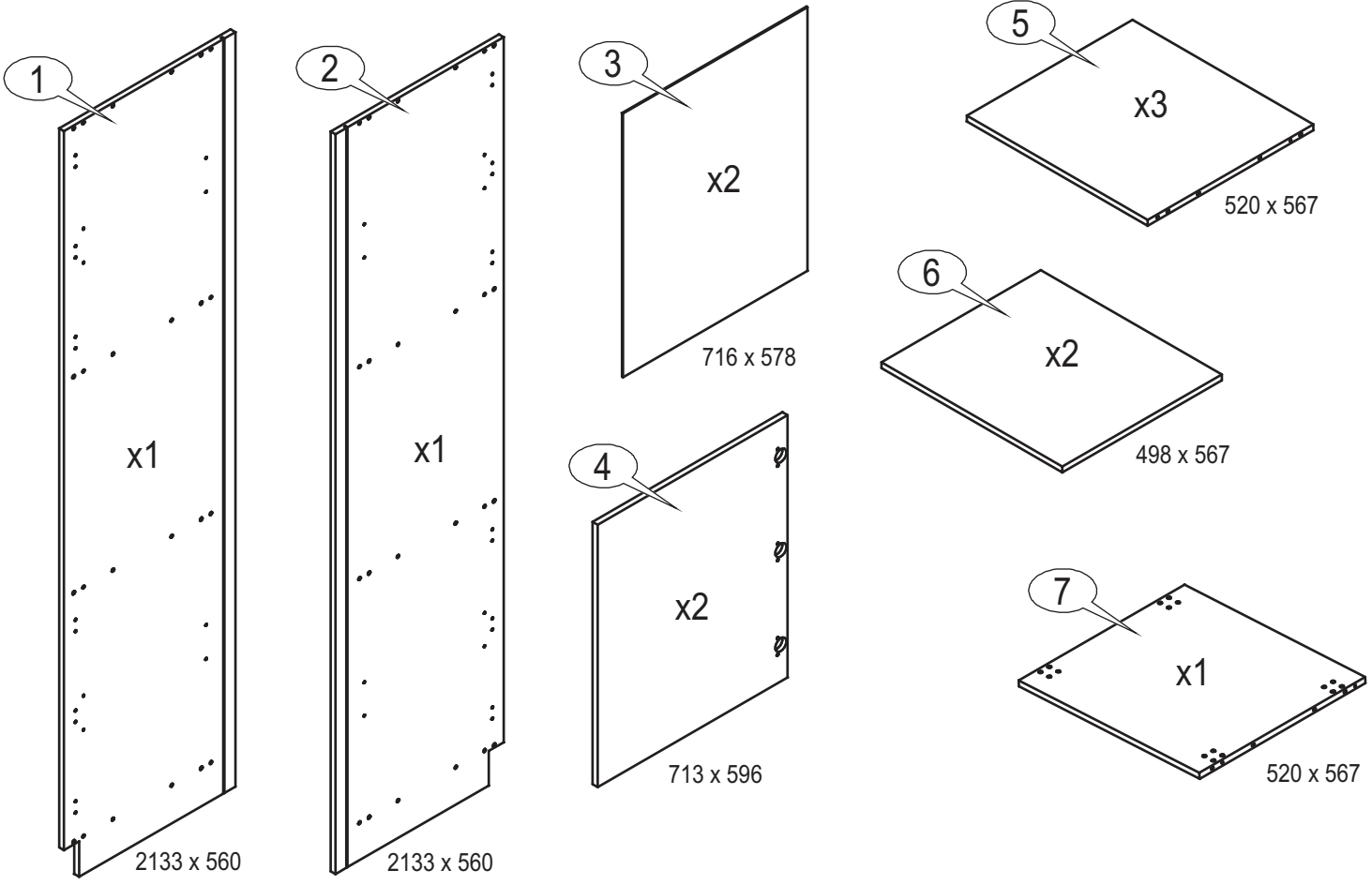
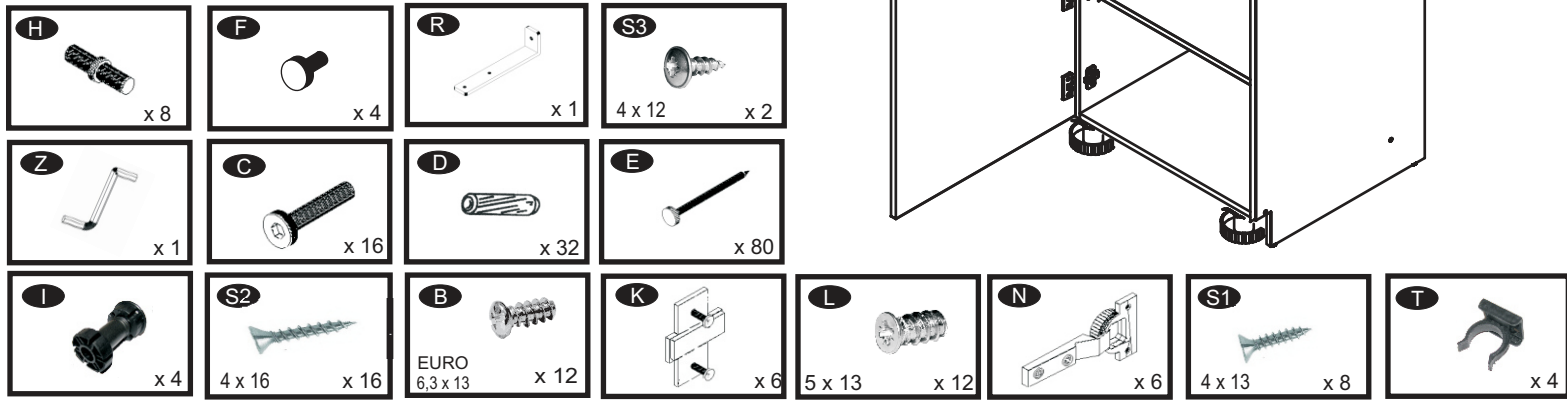
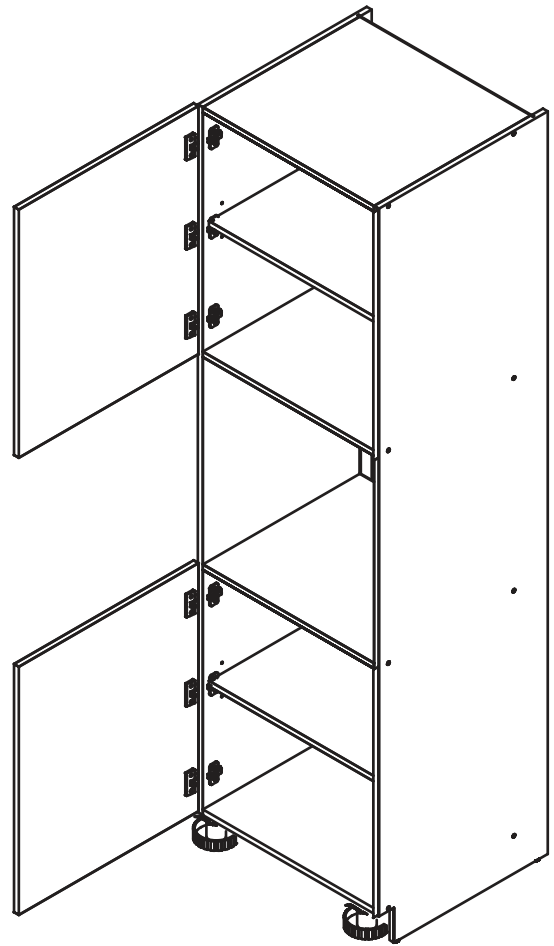
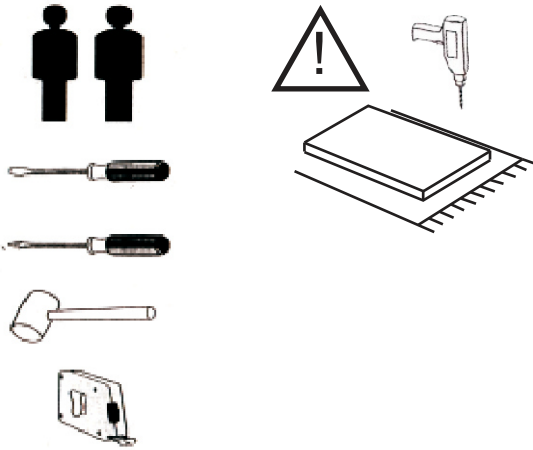
3

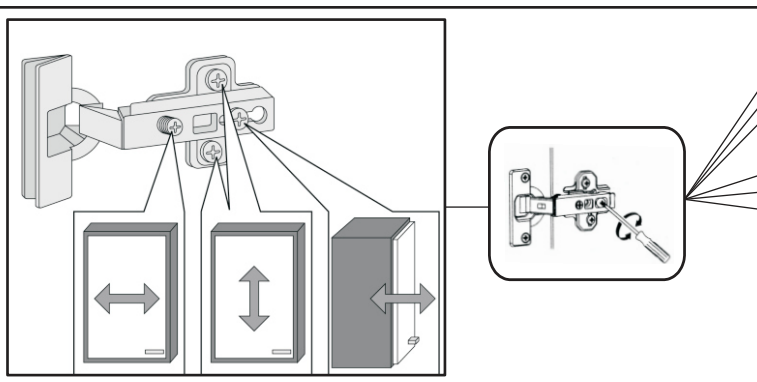
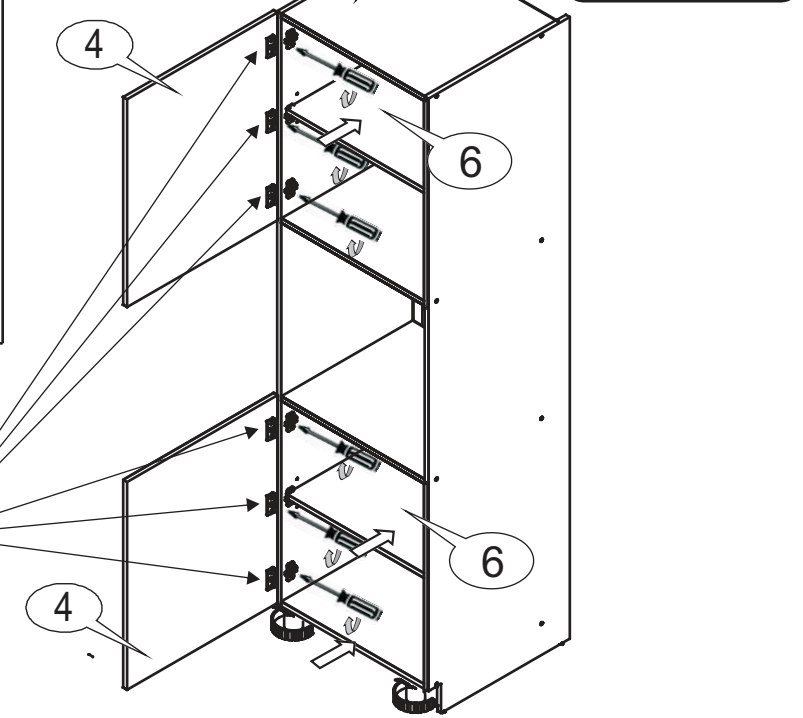
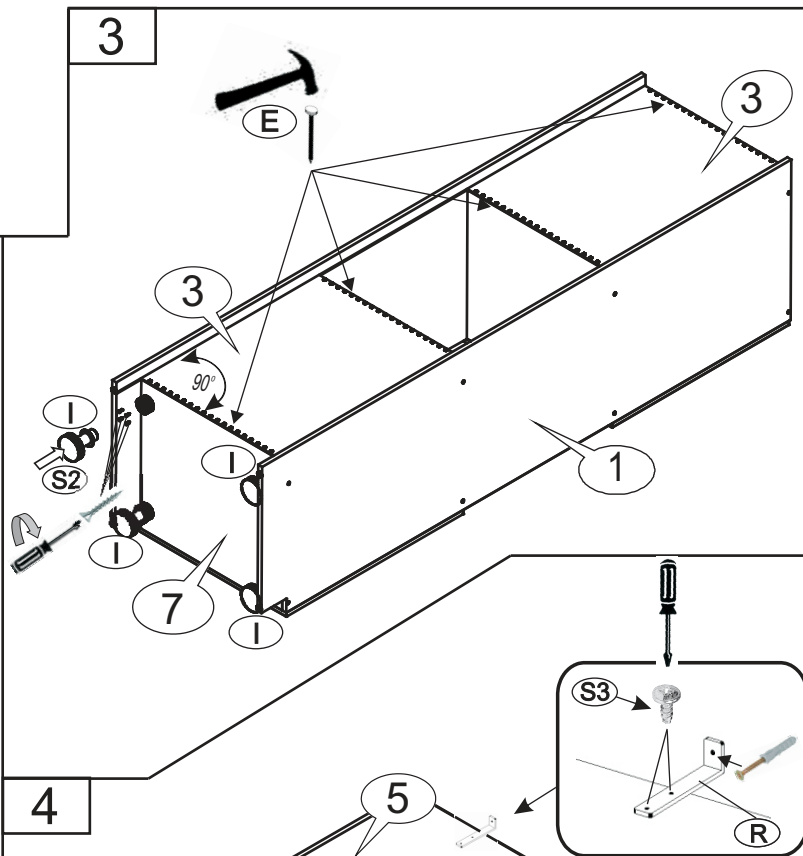
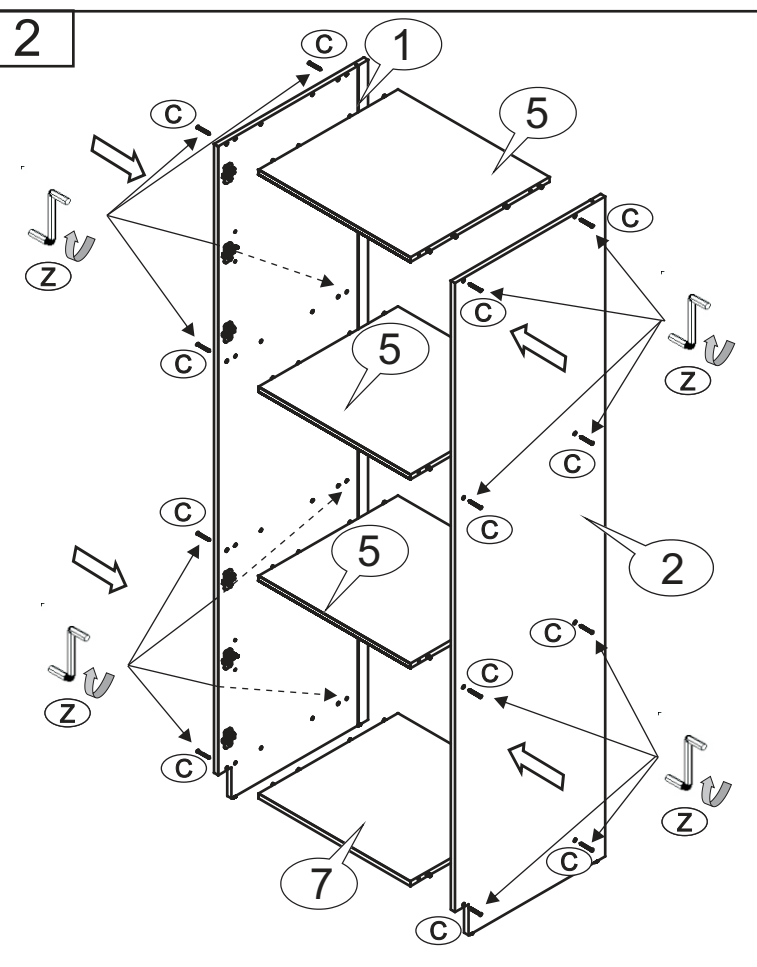
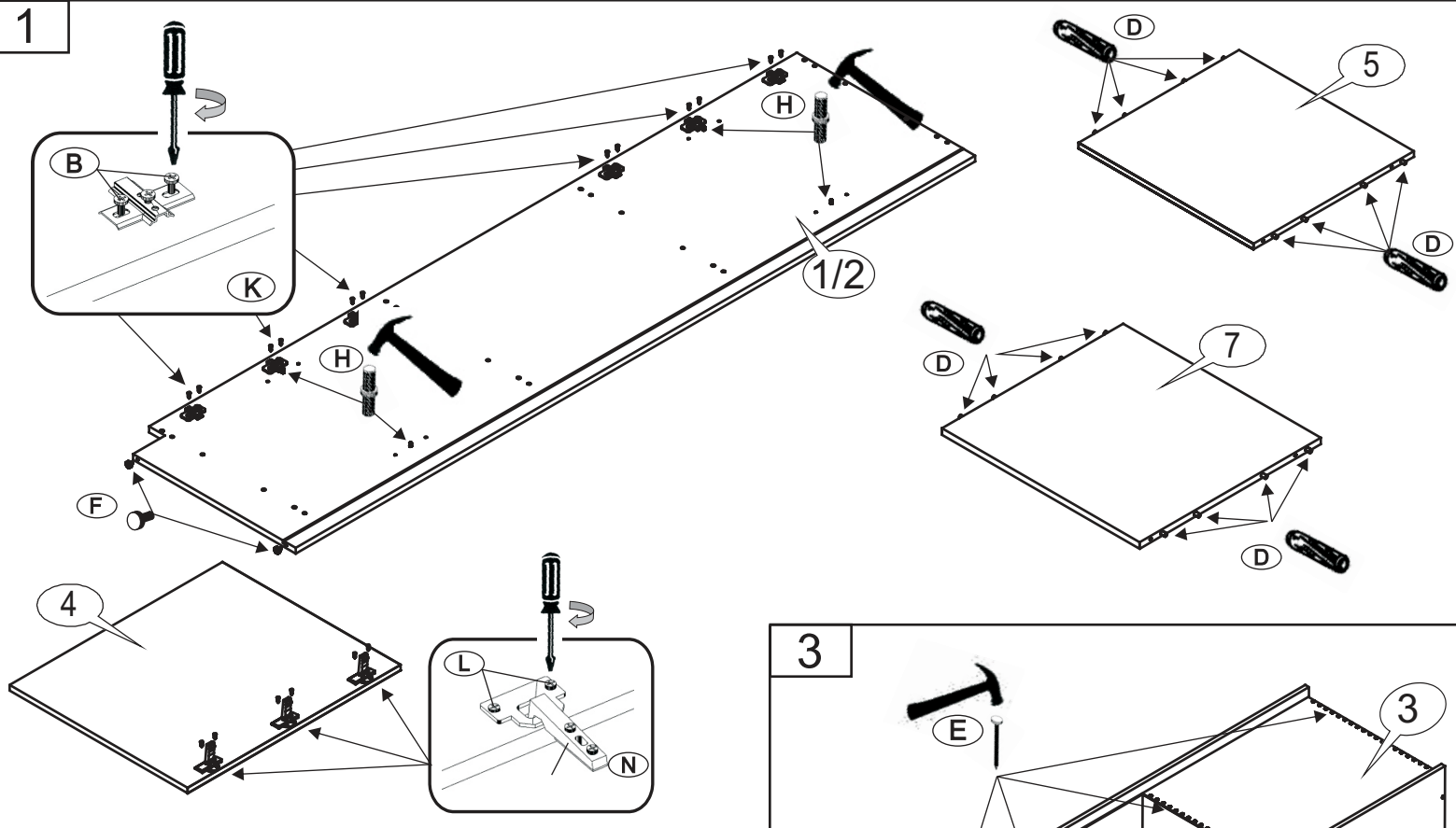


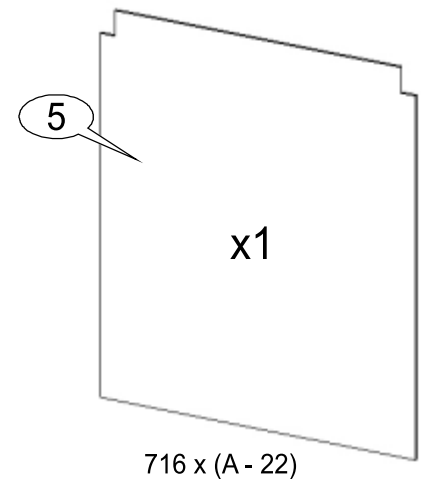
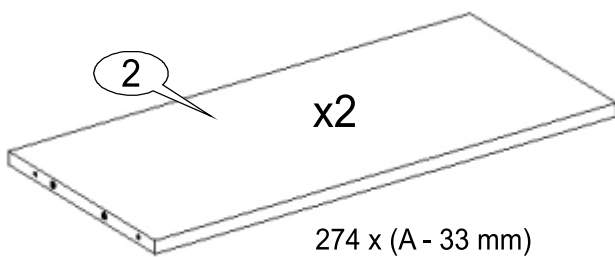
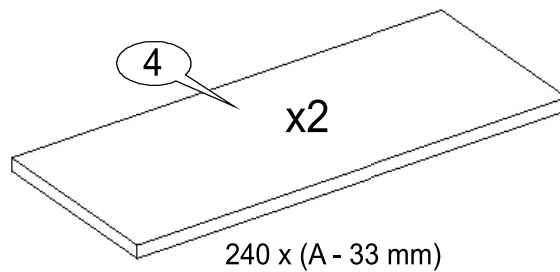
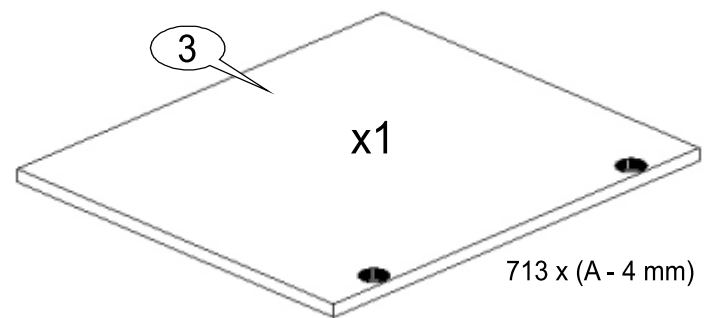
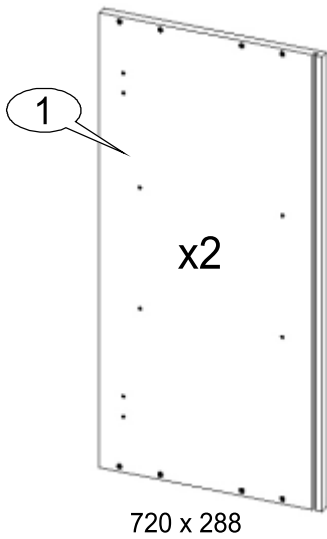
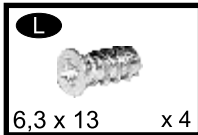
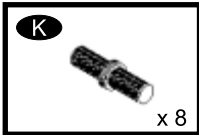
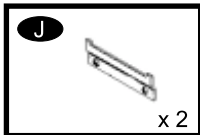
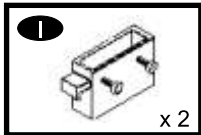
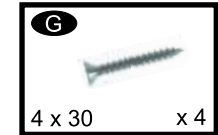
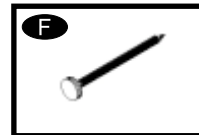
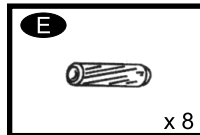
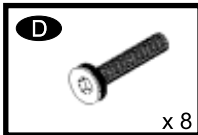
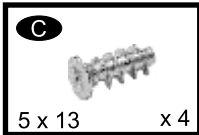
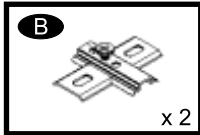
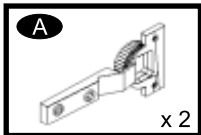
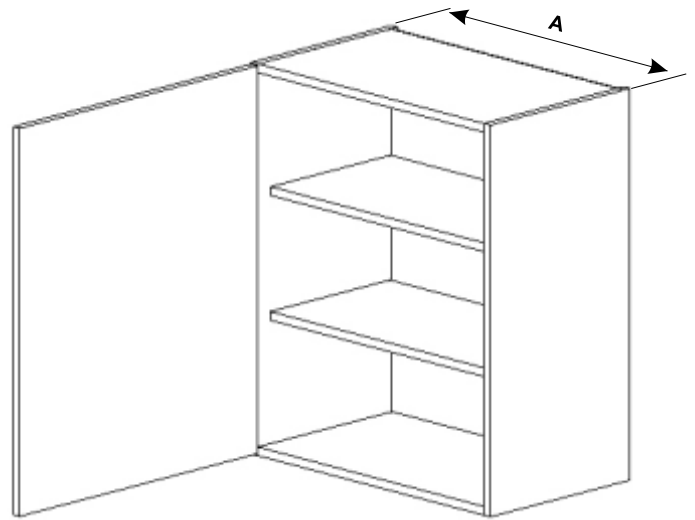
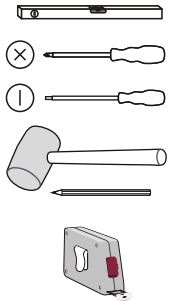
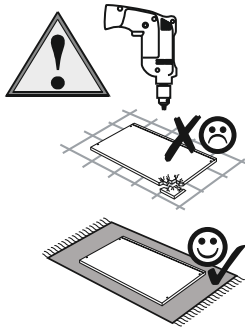


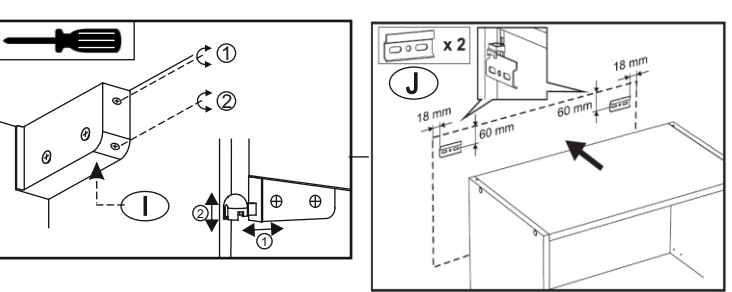
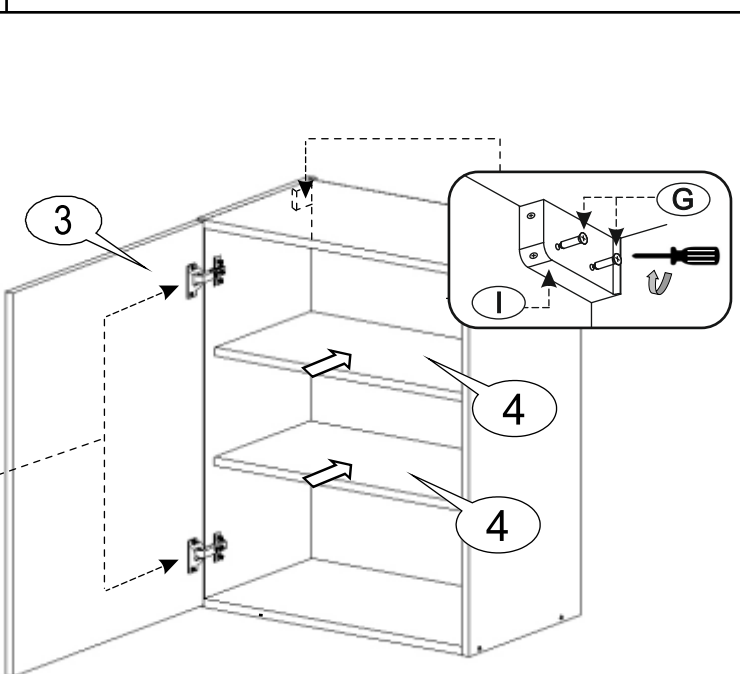
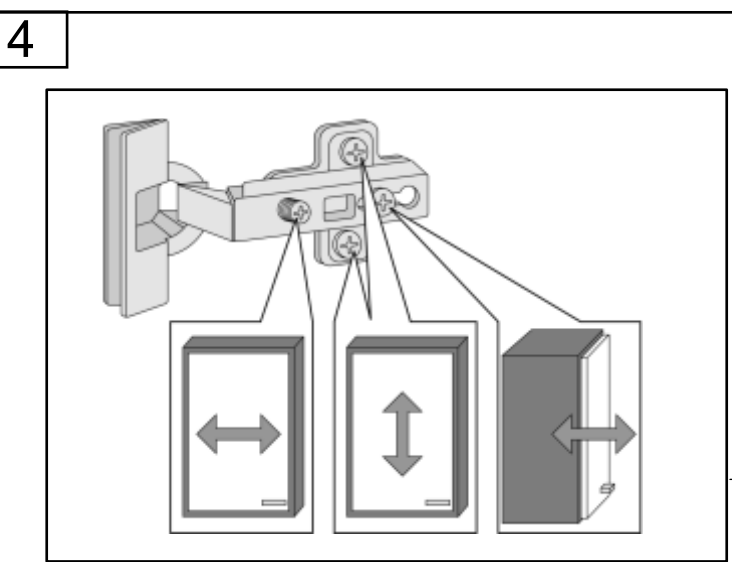
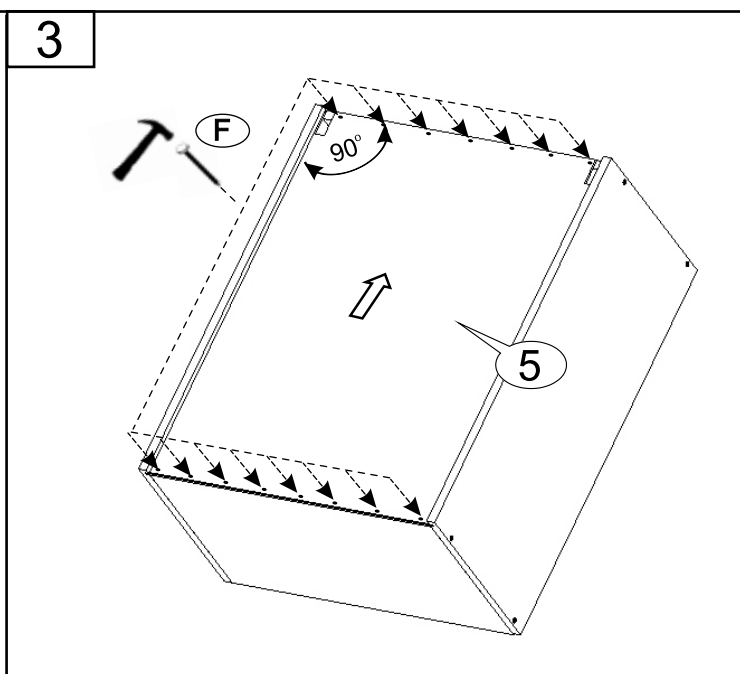
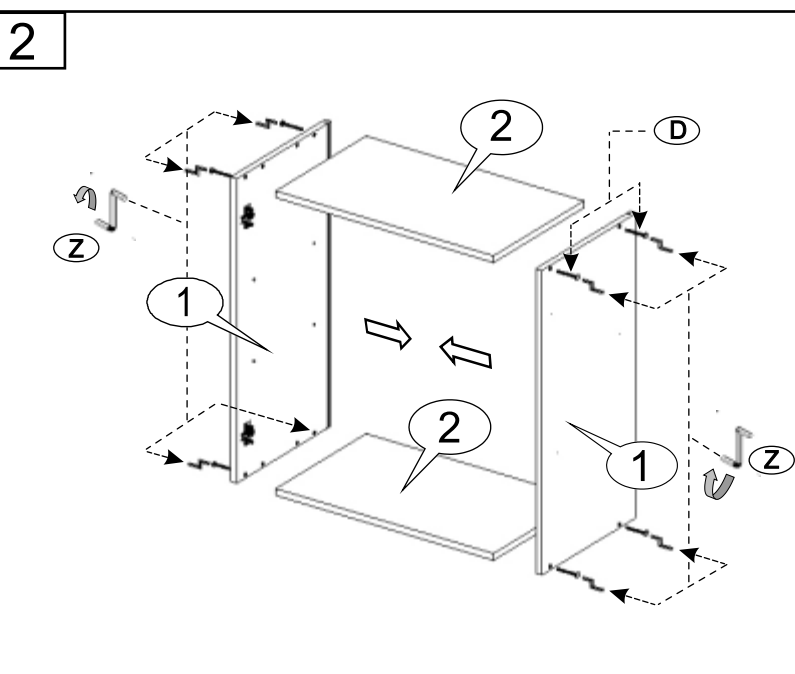
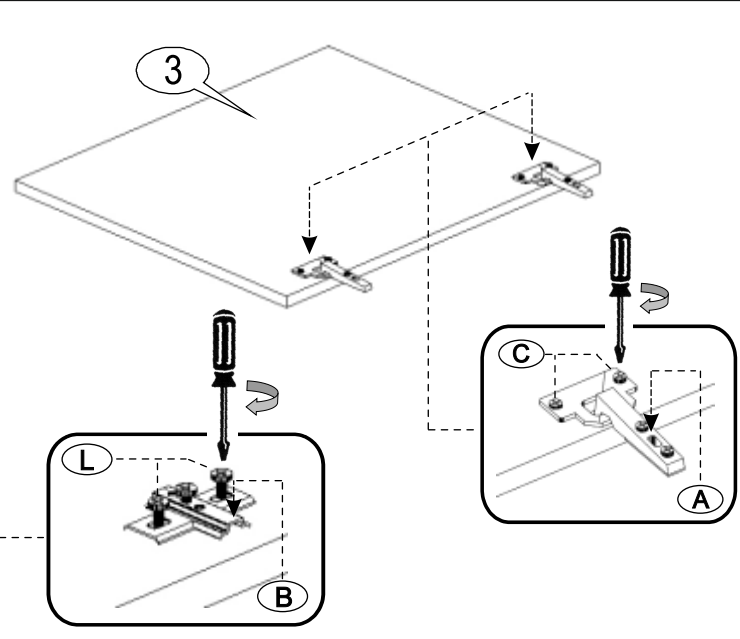
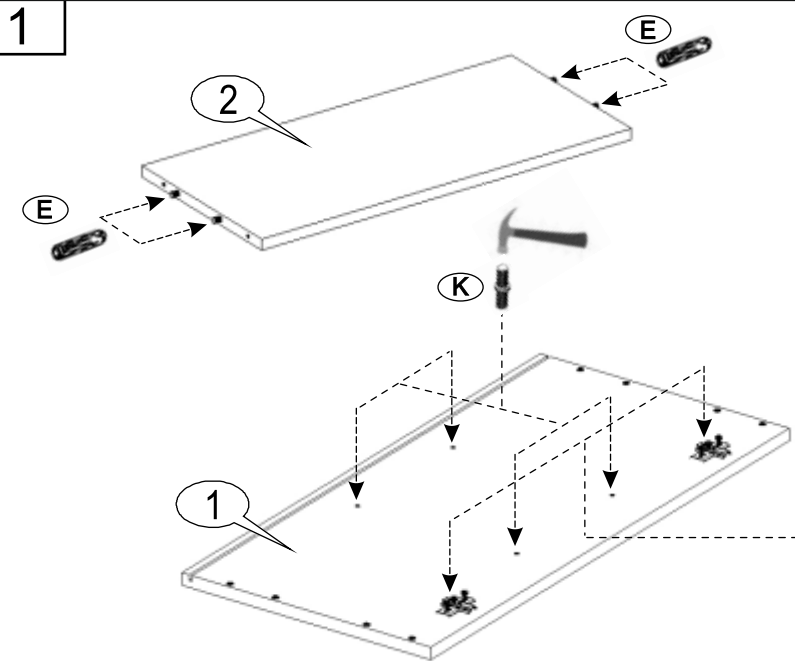




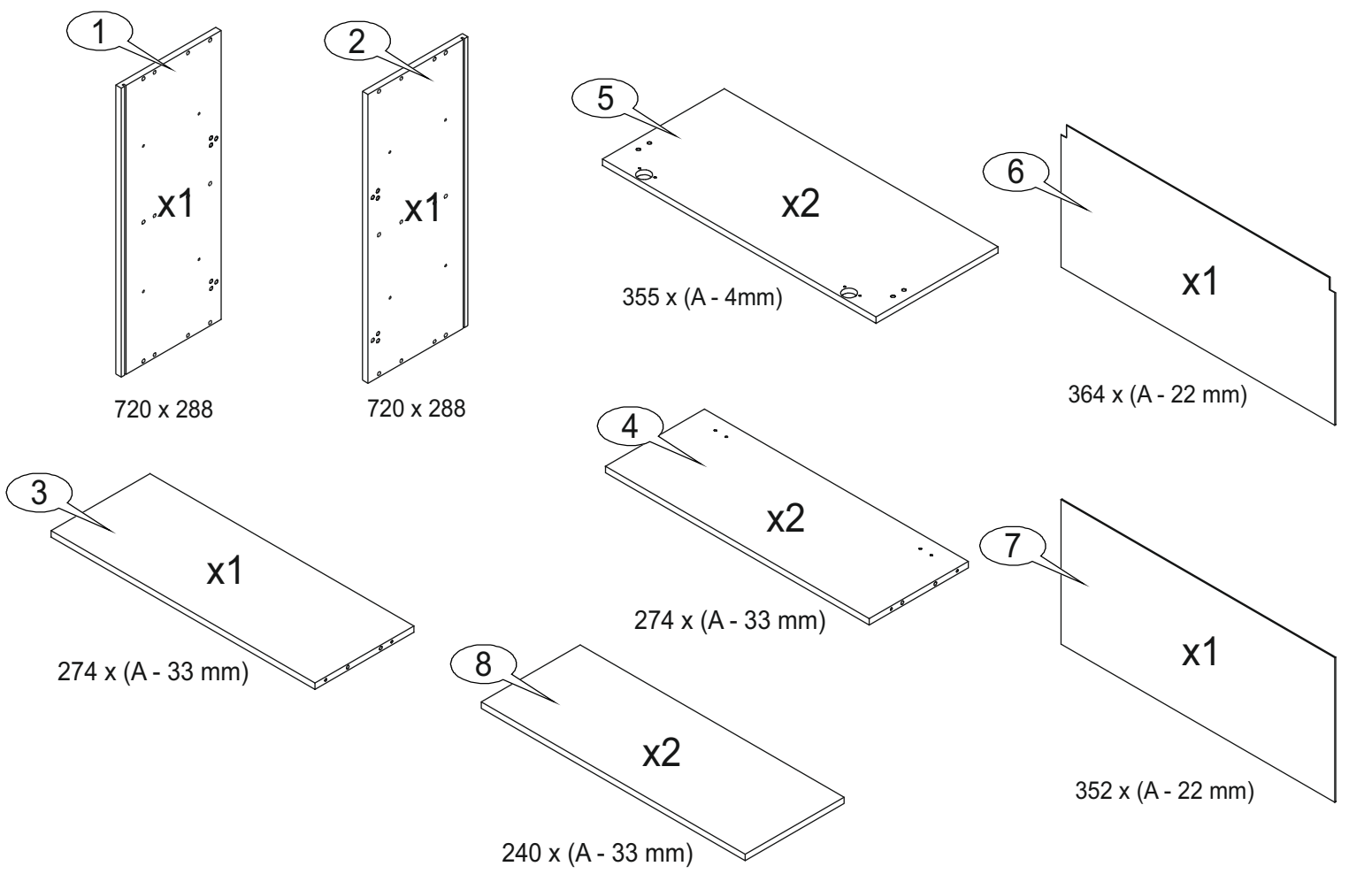
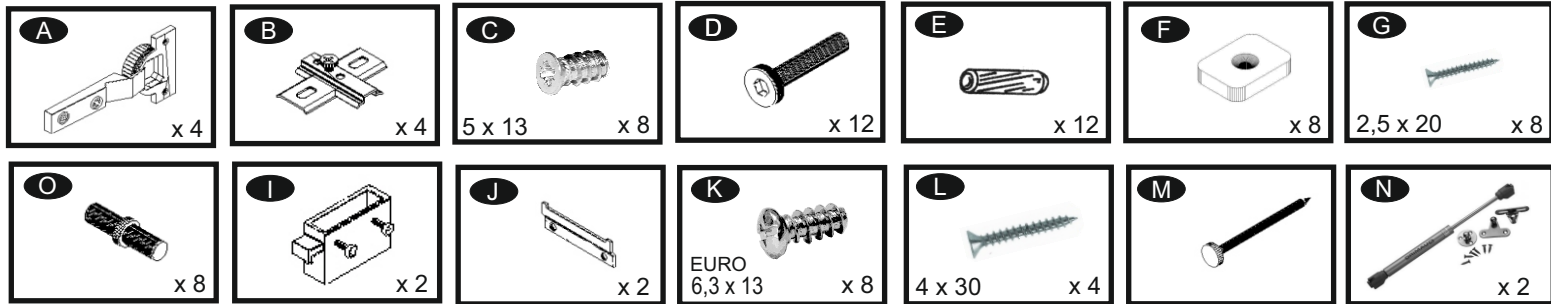
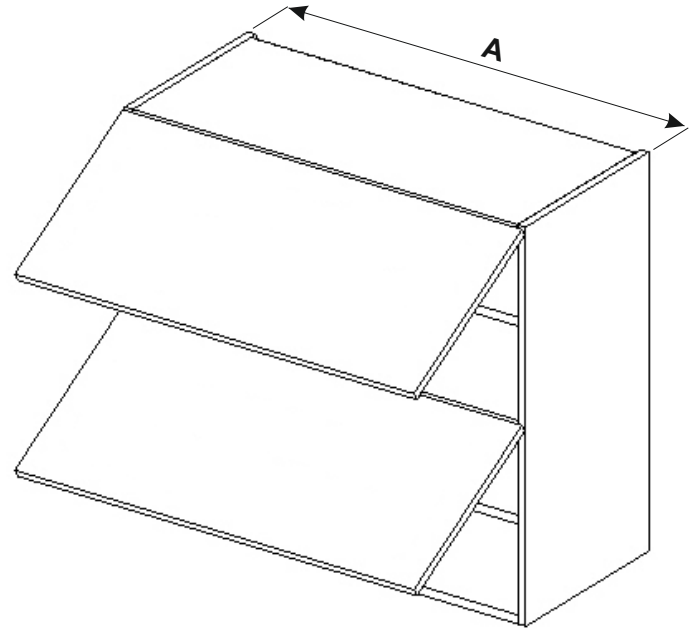
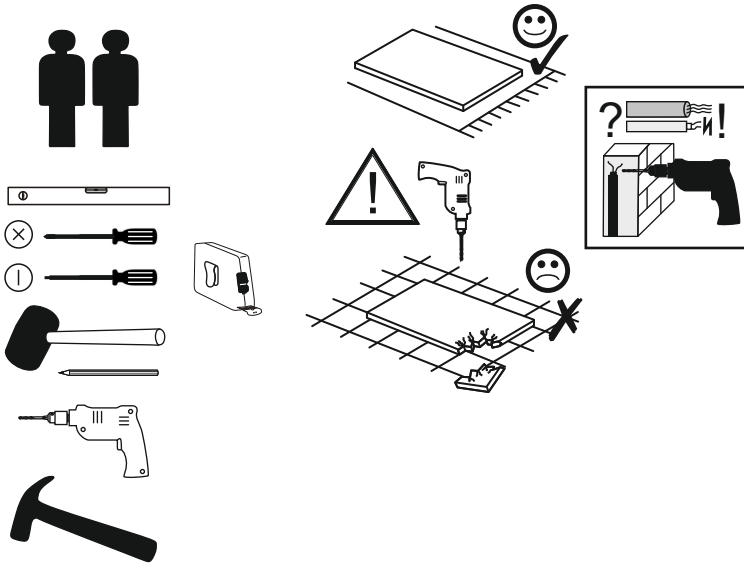


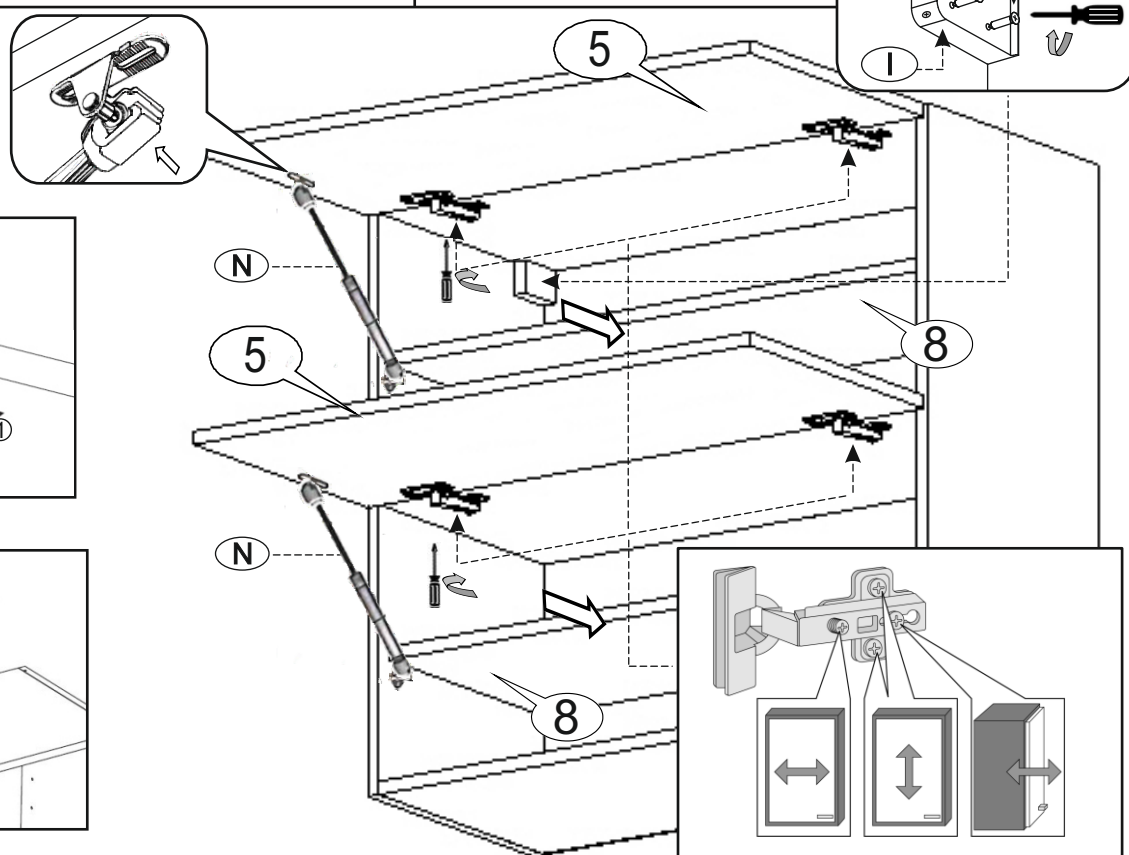
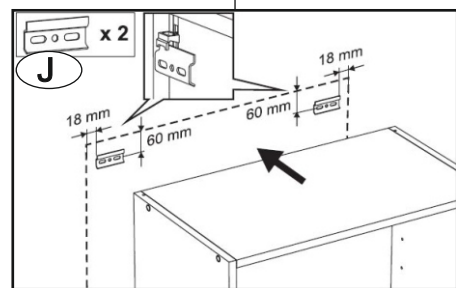
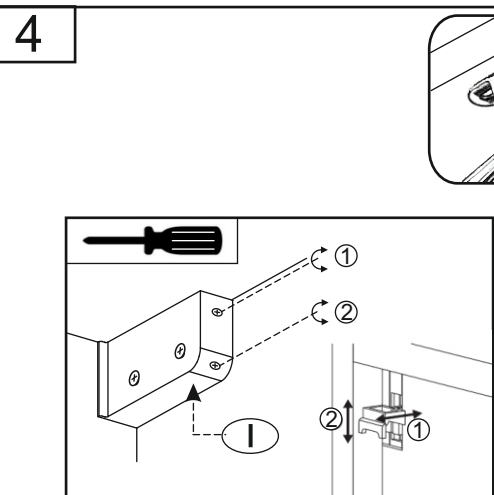
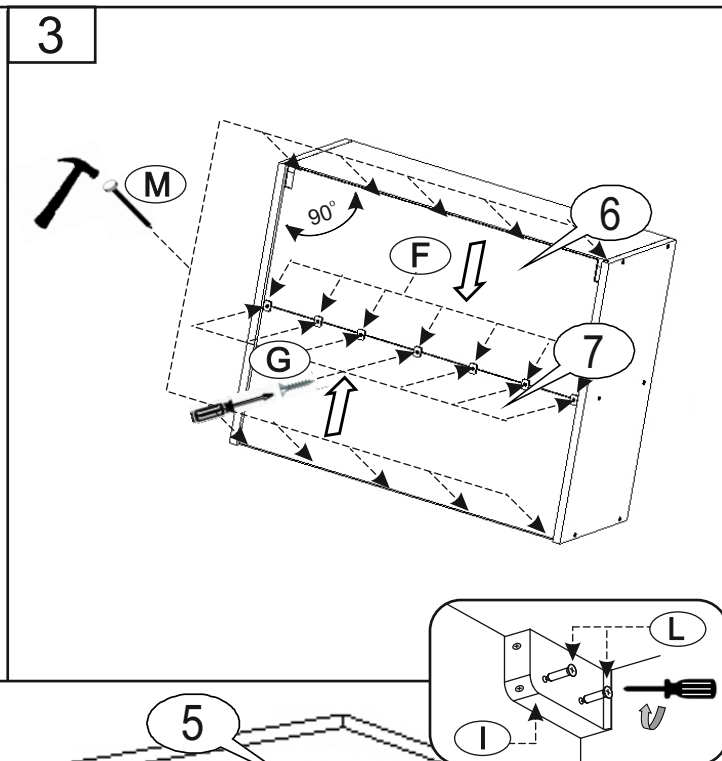
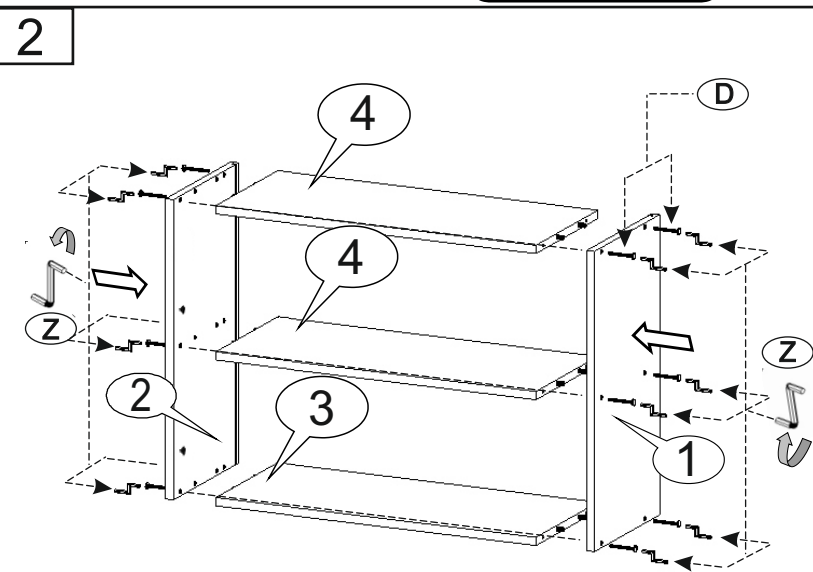
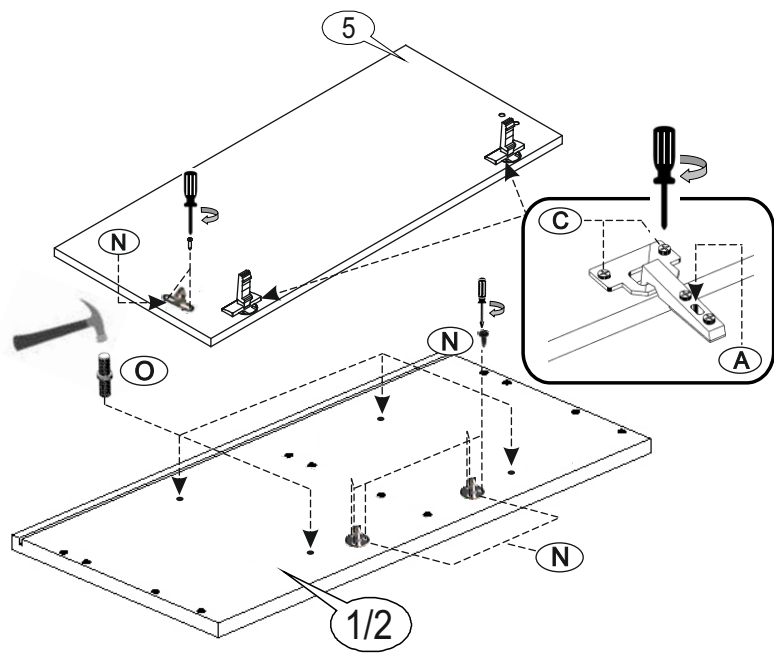
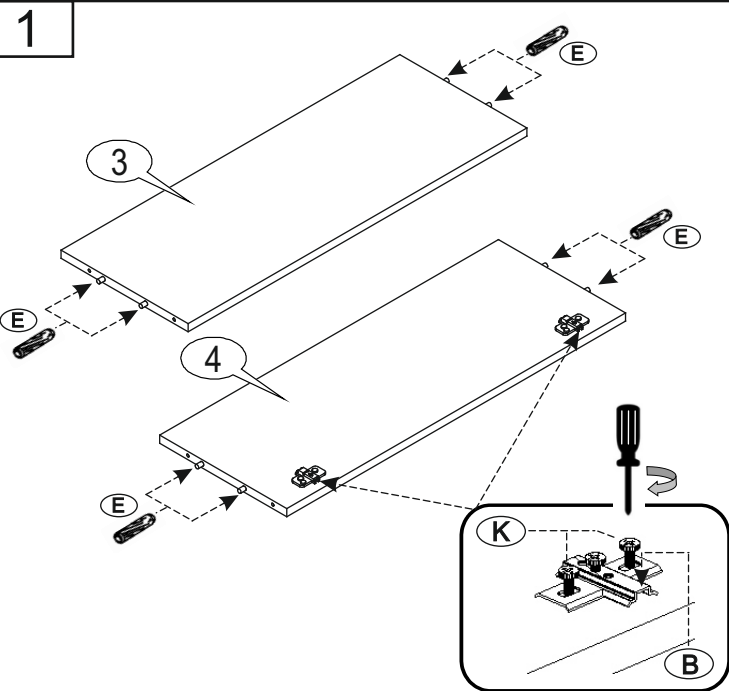


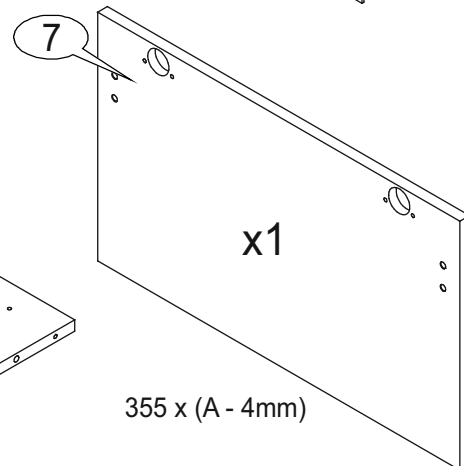
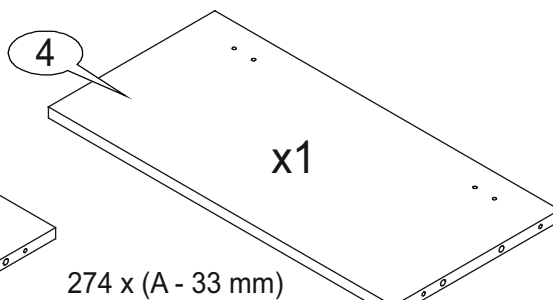
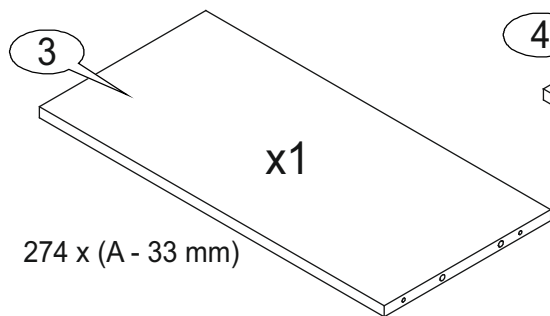
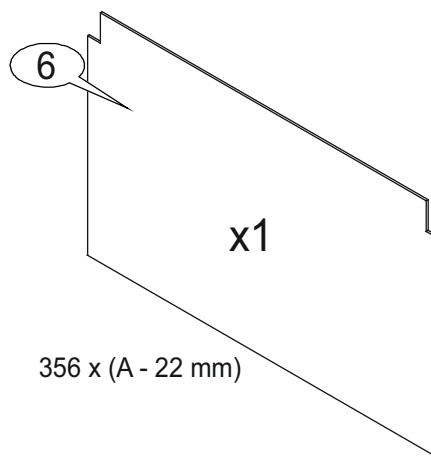
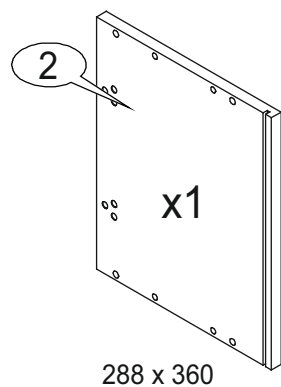
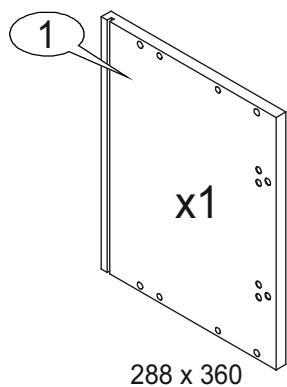
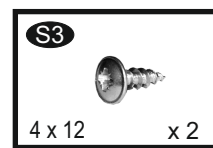
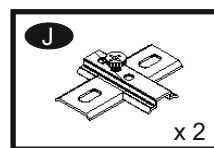
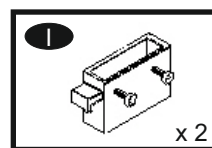
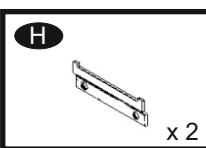
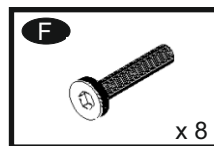
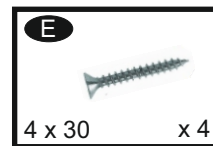
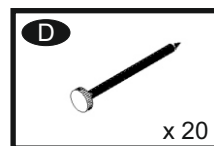
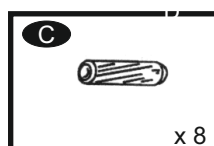
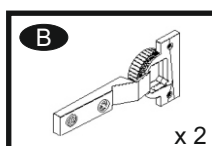
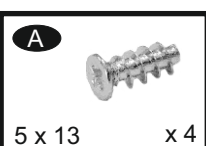
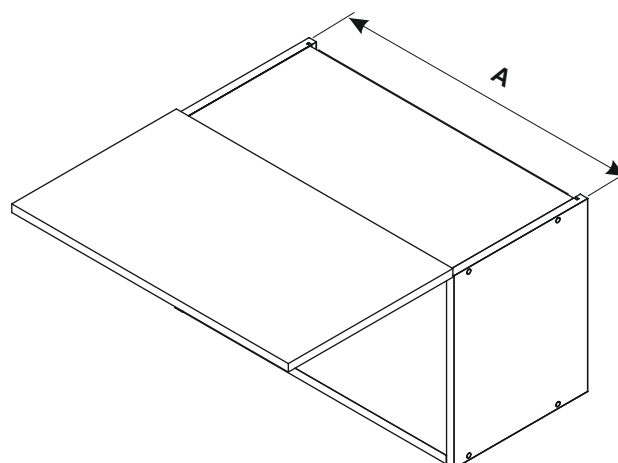
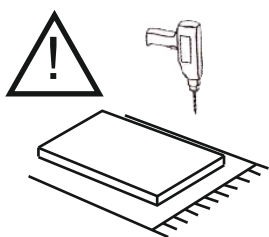




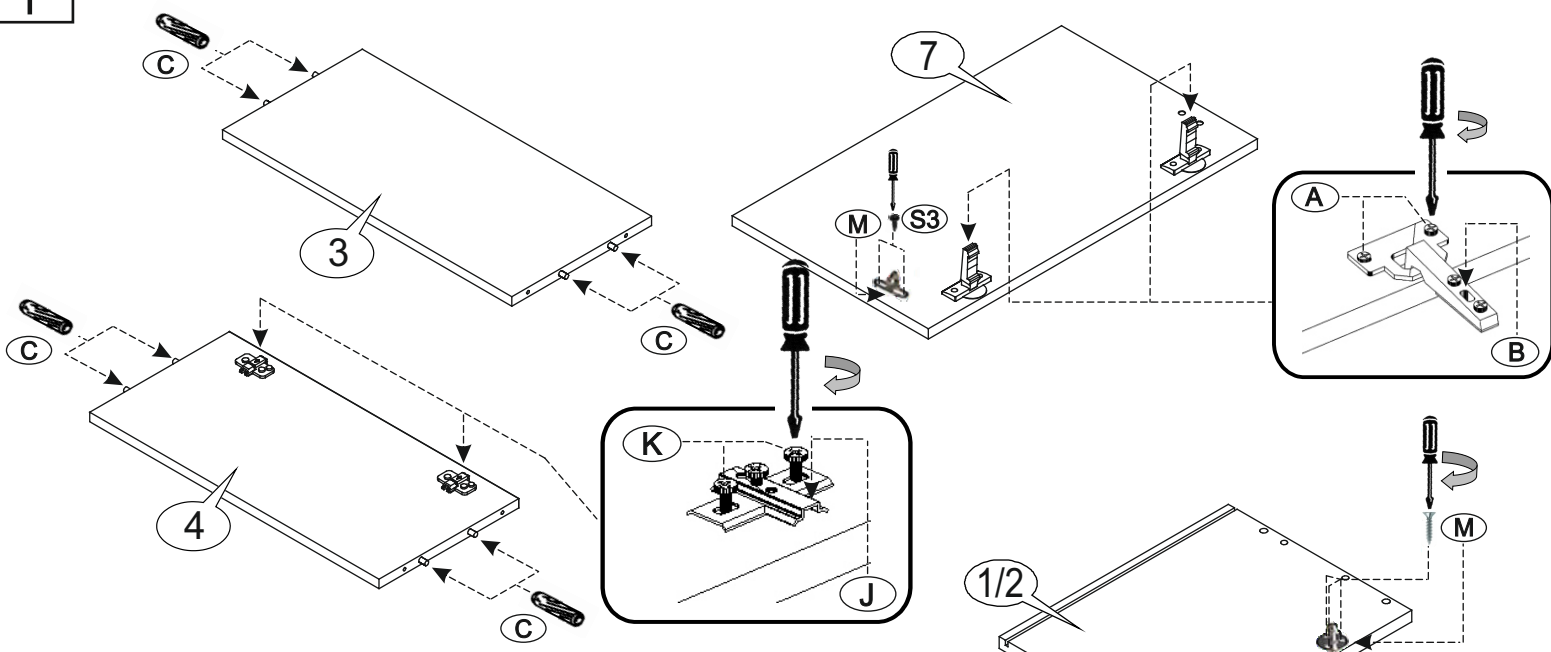
# W40GR F/2; W50GR F/2; W60GR F/2



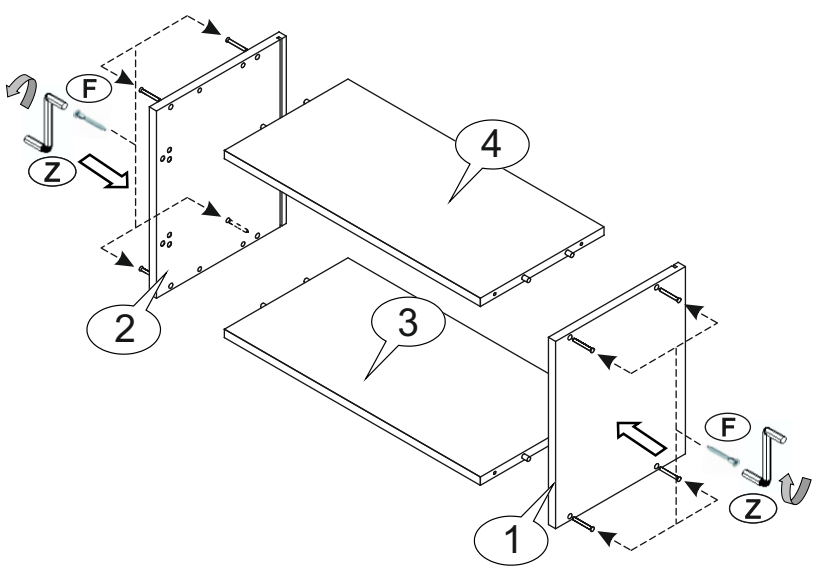




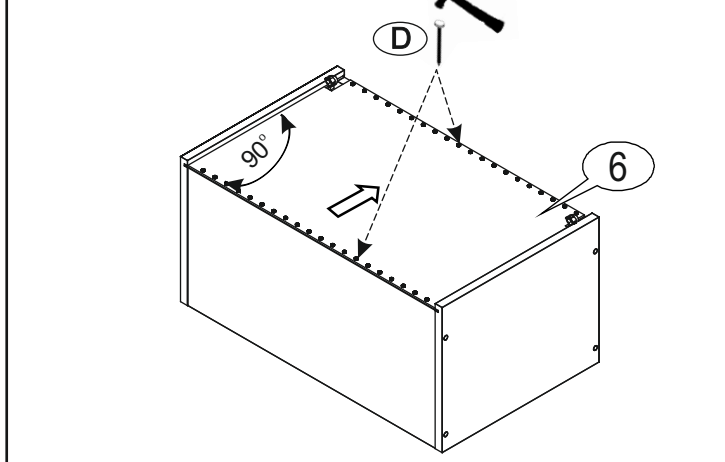
1



2



3



4

